



US0D1028617S

(12) **United States Design Patent** (10) **Patent No.:** **US D1,028,617 S**
Yoder et al. (45) **Date of Patent:** **** May 28, 2024**

(54) **INDUCTION WARMER**
(71) Applicant: **COOKTEK INDUCTION SYSTEMS LLC**, Carrollton, TX (US)
(72) Inventors: **Steven L. Yoder**, Coppell, TX (US); **Gabrielle Davis**, Denton, TX (US); **Mingwei Shan**, Frisco, TX (US)

5,638,806 A 6/1997 Foust
6,196,115 B1 3/2001 Tsao
6,288,374 B1 * 9/2001 Eskildsen H05B 6/1254
219/622
D501,117 S 1/2005 Bassill
D553,900 S * 10/2007 Grey D7/346
(Continued)

(73) Assignee: **COOKTEK INDUCTION SYSTEMS LLC**, Carrollton, TX (US)

(**) Term: **15 Years**

(21) Appl. No.: **29/883,126**

(22) Filed: **Jan. 24, 2023**

Related U.S. Application Data

(62) Division of application No. 29/737,856, filed on Jun. 12, 2020, now Pat. No. Des. 978,604.

(51) **LOC (14) Cl.** **07-02**

(52) **U.S. Cl.**
USPC **D7/367**

(58) **Field of Classification Search**
USPC D7/323, 337, 339, 341, 346, 352, D7/354-355, 362-367, 402, 407, 409-411
CPC A21B 1/06; A21B 1/50; A21B 1/52; A47J 37/04; A47J 37/06; A47J 37/015; A47J 37/067; A47J 37/0611; A47J 37/0629; A47J 37/0676; A47J 36/2483; A47J 39/02; C03C 17/38; F24C 7/06; F24C 7/083; F24C 15/02; F24C 15/12; F24C 15/166; H05B 3/20; H05B 3/26; H05B 3/40; H05B 3/74; H05B 6/1209; H05B 6/1254; H02J 50/12

See application file for complete search history.

(56) **References Cited**

U.S. PATENT DOCUMENTS

2,997,199 A 8/1961 Ramon
5,261,387 A * 11/1993 Gressenich H05B 3/74
126/39 R

OTHER PUBLICATIONS

Dominion Countertop Dual Flat Burner, Electric Hot Burner. Date First Available on Amazon.com May 4, 2022. <https://www.amazon.com/dp/B09ZJ8T61P/ref> (Year: 2022).*
(Continued)

Primary Examiner — Ricky Pham
(74) *Attorney, Agent, or Firm* — Bames & Thornburg LLP

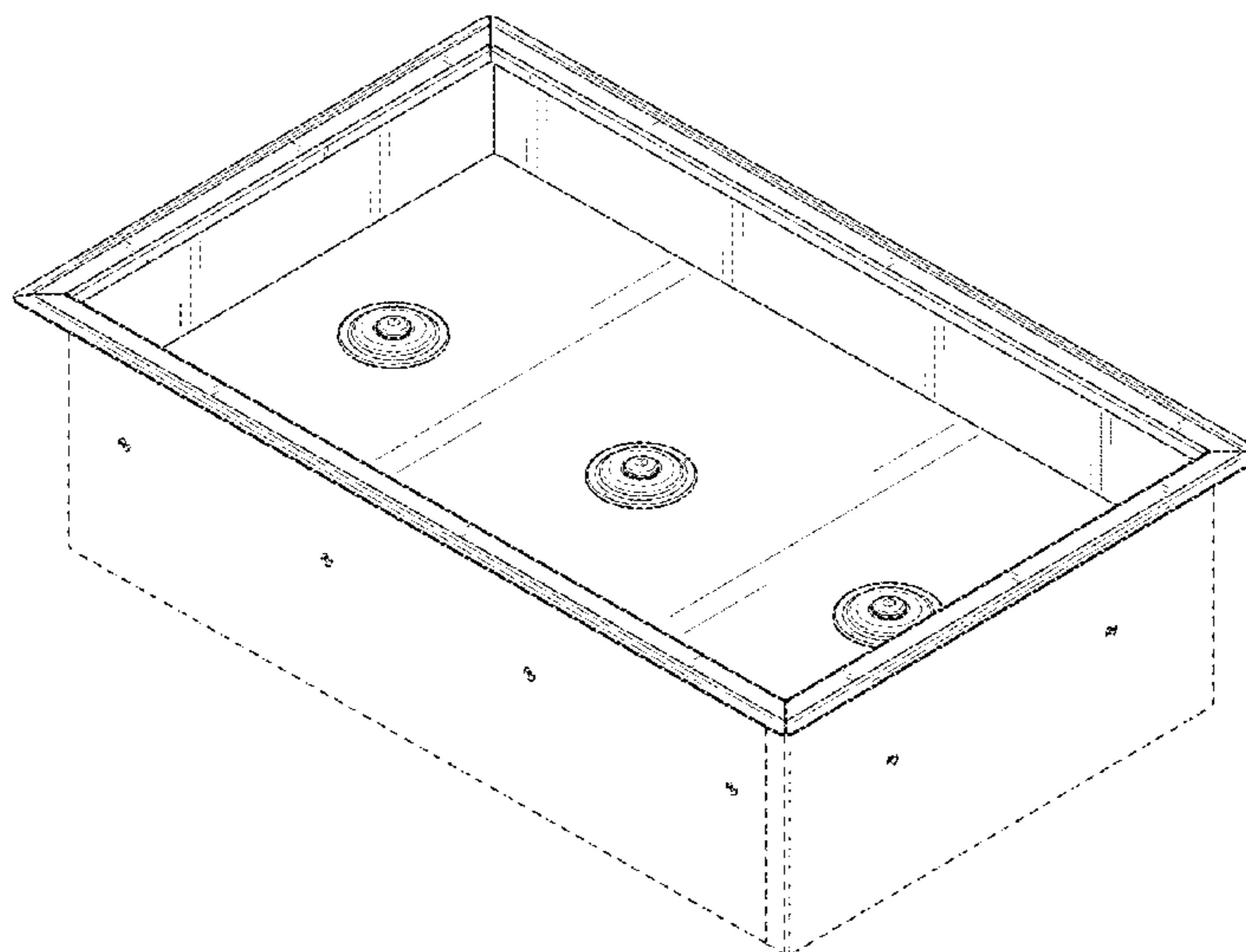
(57) **CLAIM**

We claim the ornamental design for an induction warmer, as shown and described.

DESCRIPTION

FIG. 1 is a top front perspective view of an induction warmer with a rectangular shell and resting surface; FIG. 2 is a top view thereof; FIG. 3 is a front elevation view thereof, the rear side elevation of the induction warmer with respect to the claimed subject matter is the same; FIG. 4 is a left side elevation view thereof, the right side elevation of the induction warmer with respect to the claimed subject matter is the same; FIG. 5 is a bottom view thereof; and, FIG. 6 is a front side cross-sectional view of the induction warmer, depicting the section 6-6 of FIG. 4. The ornamental design which is claimed is shown in solid lines in the drawings. Any broken or phantom lines in the drawings form no part of the claimed design.

1 Claim, 6 Drawing Sheets



(56)

References Cited

U.S. PATENT DOCUMENTS

8,803,048 B2 8/2014 Bassill et al.
 9,307,862 B2 4/2016 Roever et al.
 D817,699 S 5/2018 Lee
 D817,700 S * 5/2018 Lee D7/362
 10,251,511 B2 4/2019 Roever et al.
 10,281,158 B2 * 5/2019 Herrera F24C 15/12
 10,426,292 B2 10/2019 Roever et al.
 10,598,549 B2 3/2020 Hedlund et al.
 10,856,686 B2 12/2020 Kopiness
 D911,765 S 3/2021 Jiang
 D920,027 S * 5/2021 Harrell D7/346
 11,253,100 B2 * 2/2022 Song H05B 3/26
 11,399,656 B2 * 8/2022 Roever A47J 36/2483
 D978,604 S * 2/2023 Yoder D7/367
 2007/0182367 A1 * 8/2007 Partovi H02J 50/12
 320/108
 2010/0237064 A1 * 9/2010 Liu H05B 6/1209
 219/622
 2012/0152932 A1 6/2012 Moon
 2014/0157998 A1 6/2014 Roever et al.
 2014/0339220 A1 * 11/2014 Metz A47J 39/02
 219/621
 2015/0272385 A1 10/2015 Wang et al.
 2016/0213196 A1 7/2016 Roever et al.
 2017/0142780 A1 5/2017 Hoare et al.

2017/0188743 A1 * 7/2017 Snyder H05B 6/1209
 2017/0311752 A1 11/2017 Roever et al.
 2017/0311753 A1 11/2017 Roever et al.
 2018/0038737 A1 2/2018 Hedlund et al.
 2018/0077761 A1 3/2018 Takahashi
 2019/0142205 A1 5/2019 Kopiness et al.
 2019/0182908 A1 6/2019 Oh
 2019/0216260 A1 7/2019 Roever et al.
 2019/0387290 A1 12/2019 Hedlund et al.

OTHER PUBLICATIONS

VBGK Double Induction Cooktop. Date First Available on Amazon.com Jul. 16, 2022. <https://www.amazon.com/dp/B0B6QTS7YH/ref> (Year: 2022).*

CookTek, "Rectangular SinAqua™," Spec Sheet (May 2018).

CookTek, "Induction Holding Well," Owner's Manual—Models IDW650S, IDW650L (Jan. 2017).

CookTek, "SinAqua™ Induction Holding Well," Owner's Manual—Models IHW061-22, IHW061-24, IHW061-34, etc. (Jan. 2017).

Extended European Search Report issued in Appl. No. EP21178646.2 (Nov. 12, 2021).

Vollrath, "Drop-In Induction Rethermalizer," Date First Available on Amazon.com Jul. 24, 2014. [https://www.amazon.com/Nollrath-741101 D-11 qt-Induction-Rethermalizer/dp/B00L63B798/ref](https://www.amazon.com/Nollrath-741101-D-11-qt-Induction-Rethermalizer/dp/B00L63B798/ref) (Year: 2014).

* cited by examiner

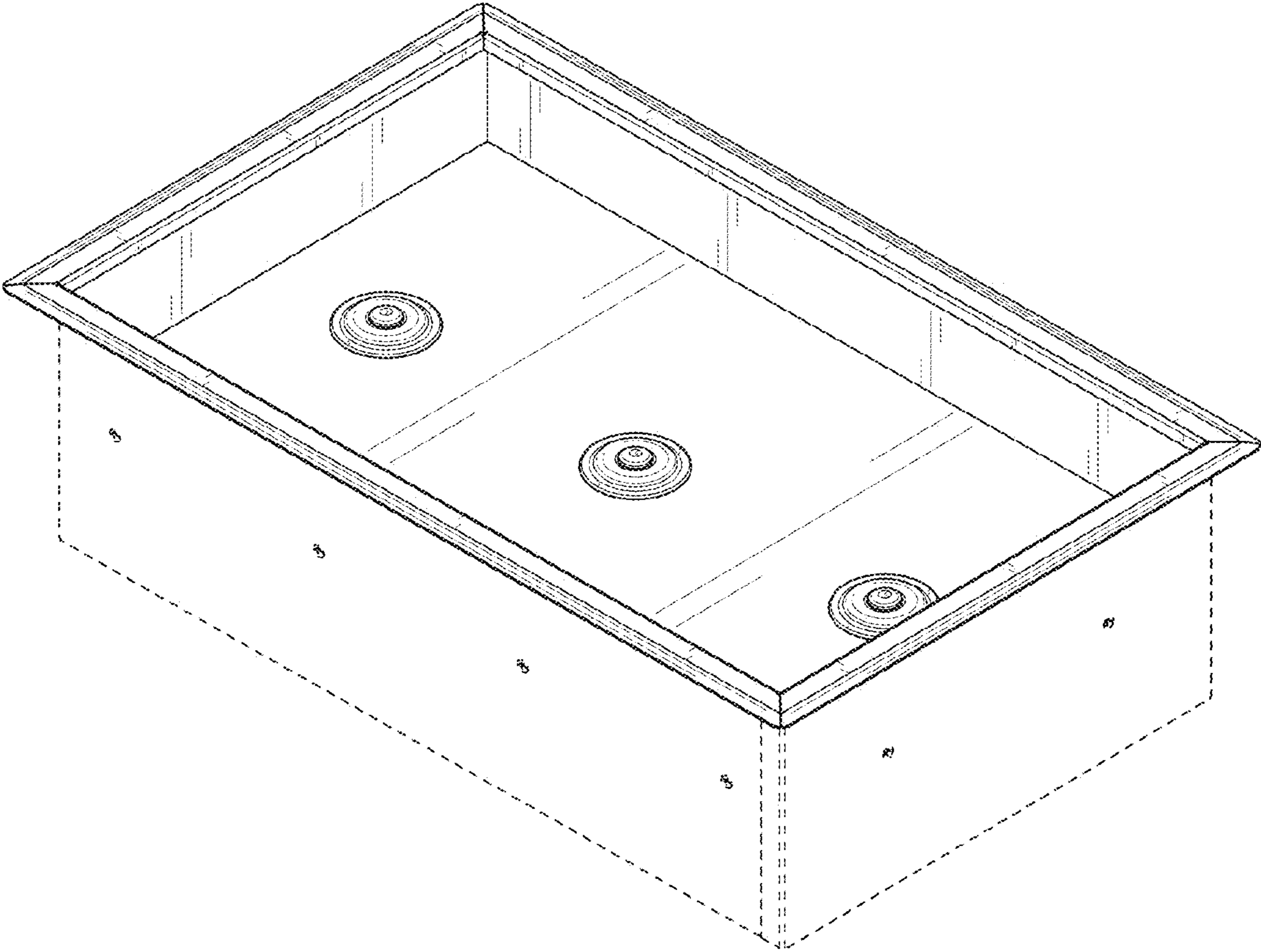


FIG. 1

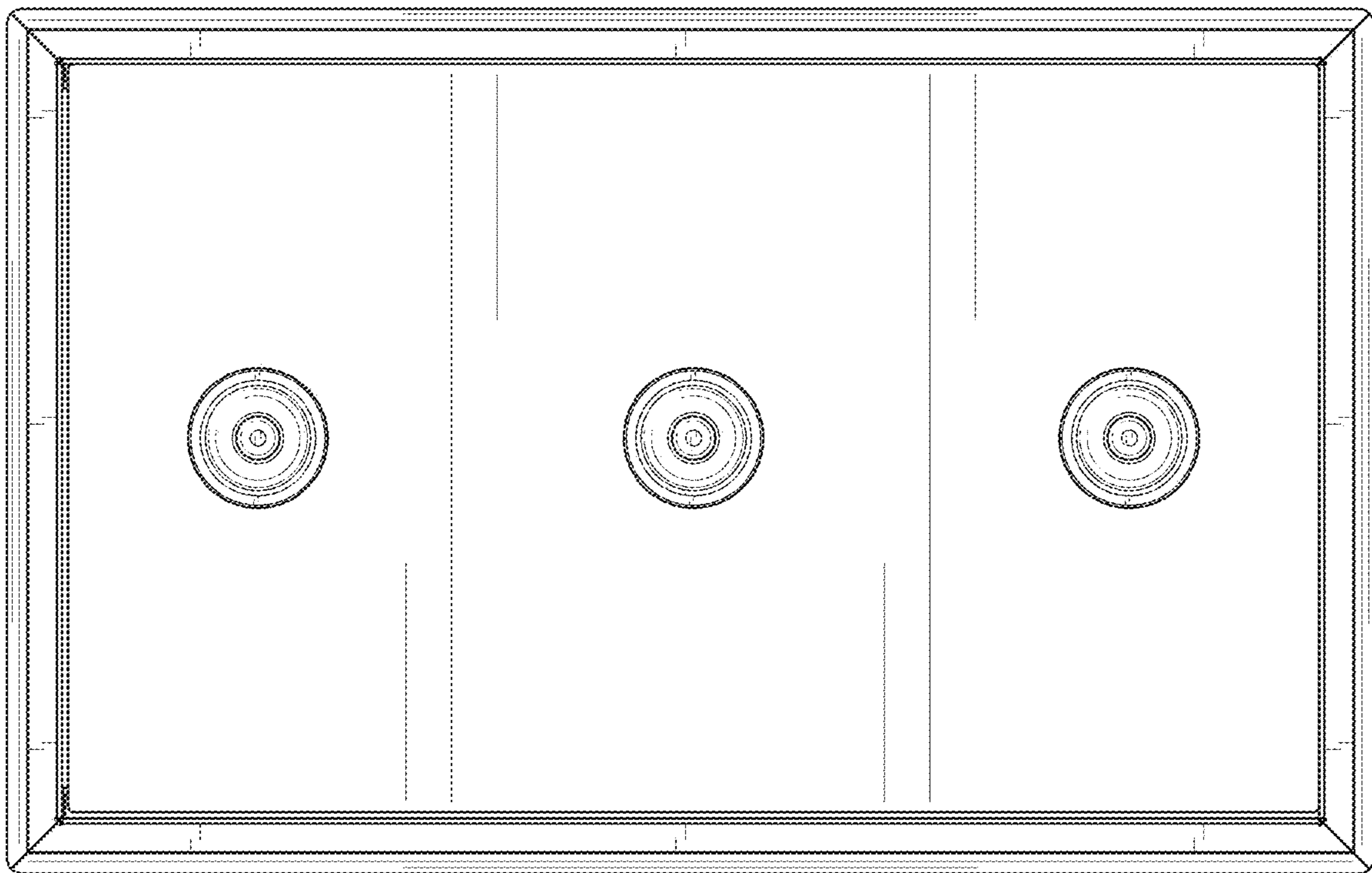


FIG. 2

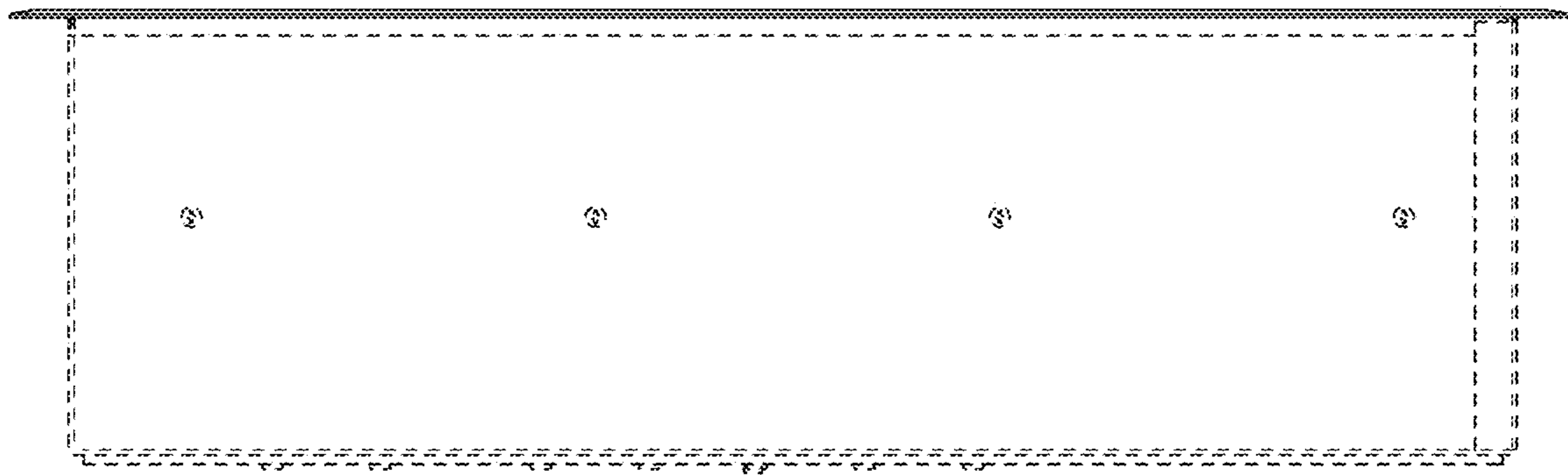


FIG. 3

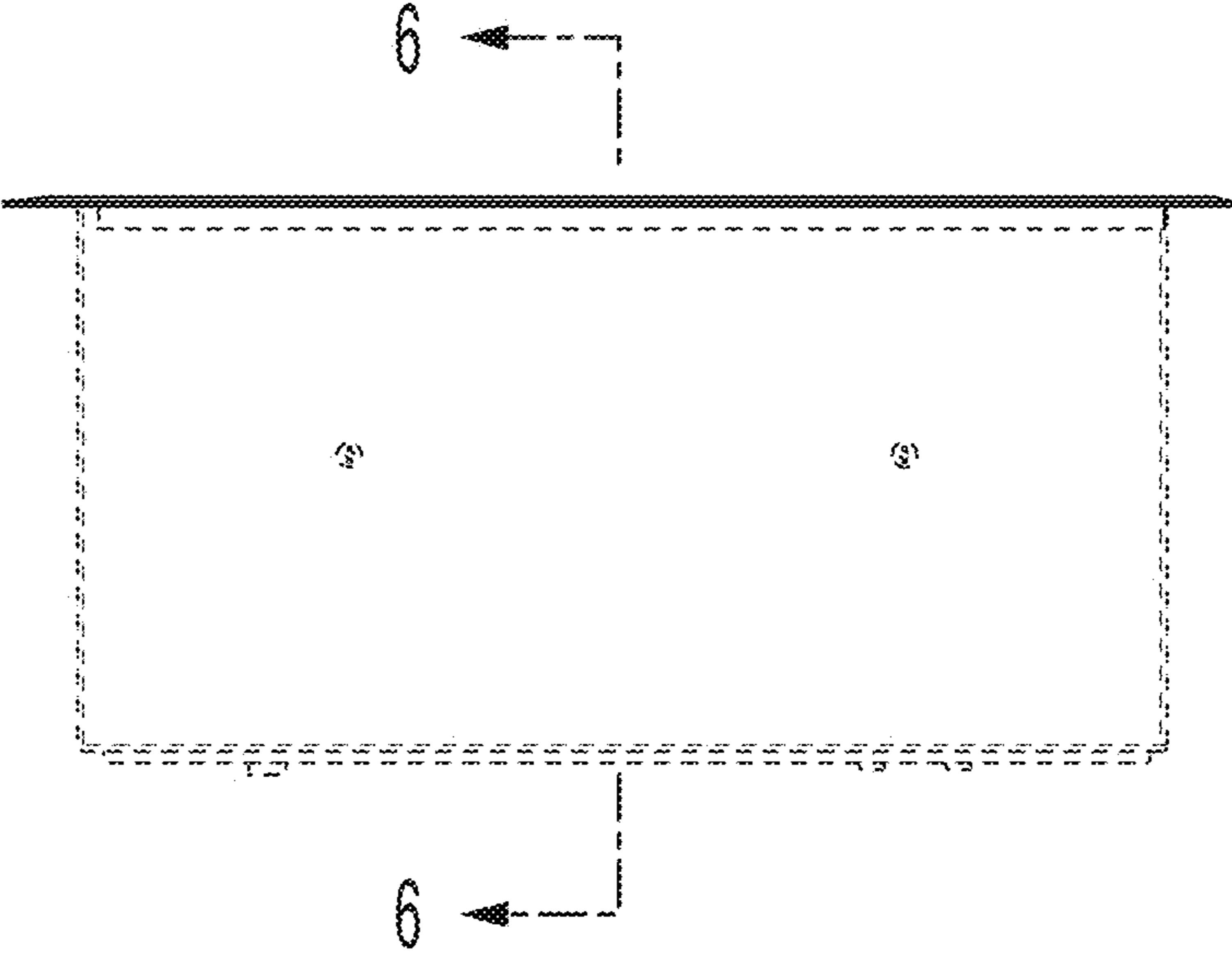


FIG. 4

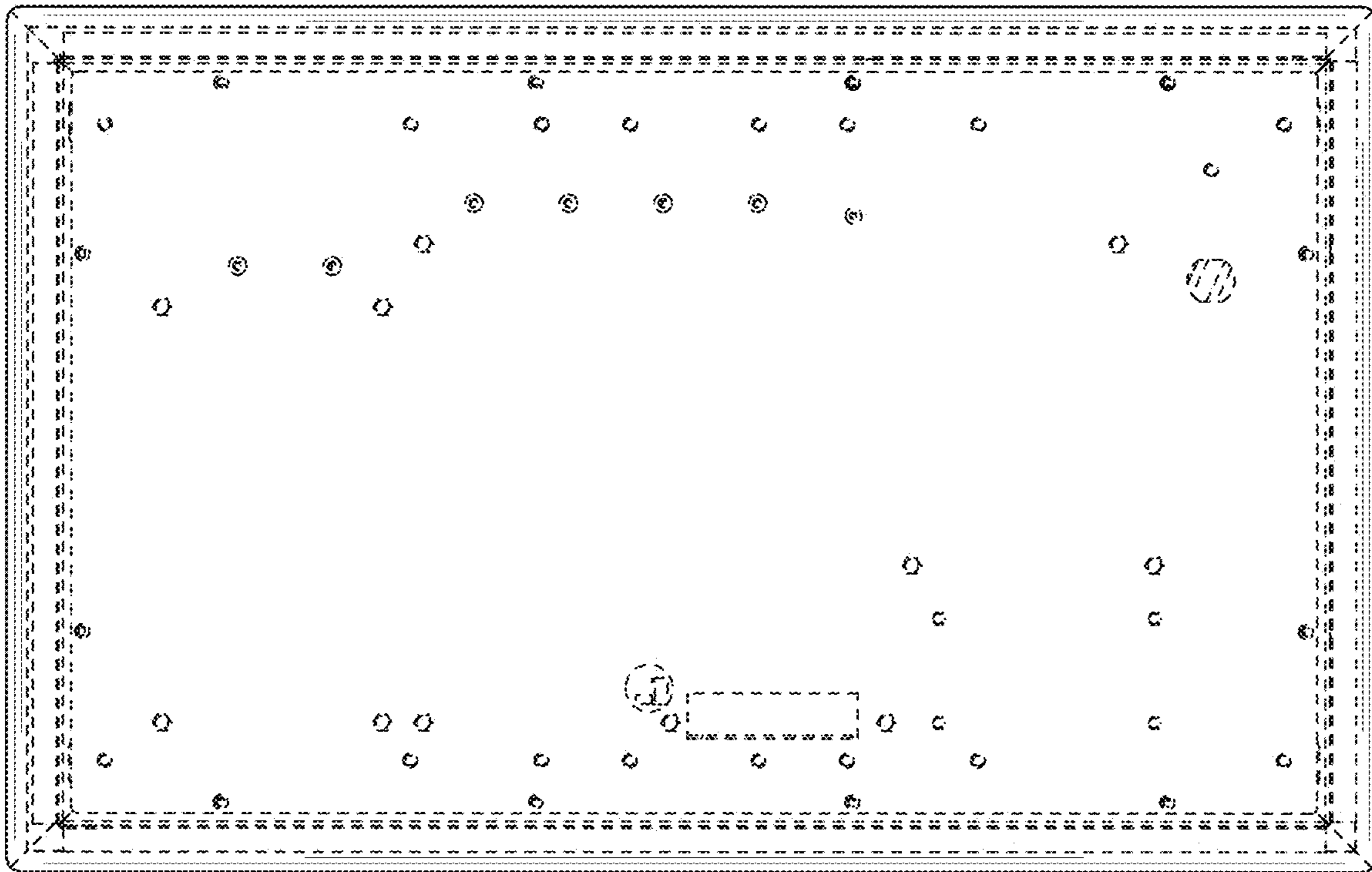


FIG. 5

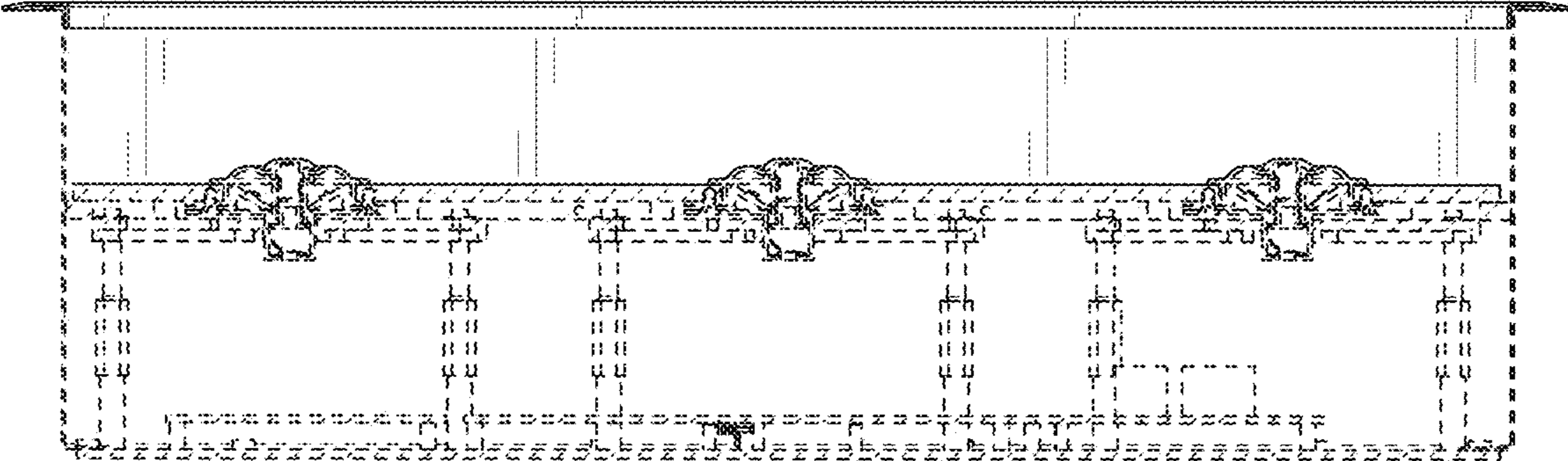


FIG. 6