



US0D1028403S

(12) **United States Design Patent** (10) **Patent No.:** **US D1,028,403 S**  
**Crowley et al.** (45) **Date of Patent:** **\*\* May 21, 2024**

(54) **VACUUM FLOORHEAD**

(71) Applicant: **Project S, Inc.**, New York, NY (US)

(72) Inventors: **Chris Crowley**, New York, NY (US);  
**Evan Dempsey**, New York, NY (US);  
**Joseph Guerra**, New York, NY (US);  
**Seyed-Sina Sohrab**, New York, NY (US)

(73) Assignee: **Project S, Inc.**, New York, NY (US)

(\*\*) Term: **15 Years**

(21) Appl. No.: **29/816,362**

(22) Filed: **Nov. 22, 2021**

(51) **LOC (14) Cl.** ..... **15-05**

(52) **U.S. Cl.**  
USPC ..... **D32/31**

(58) **Field of Classification Search**  
USPC .... D15/199; D32/15, 16, 19, 21, 22, 25, 31,  
D32/32, 33  
CPC ... A47L 5/12; A47L 5/22; A47L 5/225; A47L  
5/24; A47L 5/28; A47L 5/30; A47L 5/32;  
A47L 5/362; A47L 5/365; A47L 11/22;  
A47L 11/24; A47L 11/32; A47L 11/33;  
A47L 11/4094

See application file for complete search history.

(56) **References Cited**

**U.S. PATENT DOCUMENTS**

D318,542 S *	7/1991	Funatsu	.....	D32/32
D443,120 S *	5/2001	Choi	.....	D32/32
D456,103 S *	4/2002	Shin	.....	D32/32
6,519,810 B2 *	2/2003	Kim	.....	A47L 9/02 15/399
D556,963 S *	12/2007	Houghton	.....	D32/32
D643,980 S *	8/2011	Kim	.....	D32/22
D709,658 S *	7/2014	Griffin	.....	D32/33
D728,176 S *	4/2015	Yu	.....	D32/22
D770,709 S *	11/2016	Ogg	.....	D32/22

D776,380 S *	1/2017	Yoneda	.....	D32/32
9,655,489 B2 *	5/2017	Ha	.....	A47L 9/2873
D792,668 S *	7/2017	Yoon	.....	D32/22
D799,769 S *	10/2017	Lee	.....	D32/32

(Continued)

**OTHER PUBLICATIONS**

Vacuum Cleaner Floor Brush Head, posted Apr. 7, 2021 [online], [retrieved Dec. 7, 2023]. Retrieved from internet, <https://www.amazon.com/EZ-SPARES-Replacement-Universal-Attachment/dp/B07459MZPF> (Year: 2021).\*

(Continued)

*Primary Examiner* — Khawaja Anwar

*Assistant Examiner* — Taylor O Mortorff

(74) *Attorney, Agent, or Firm* — Eugene Vamos

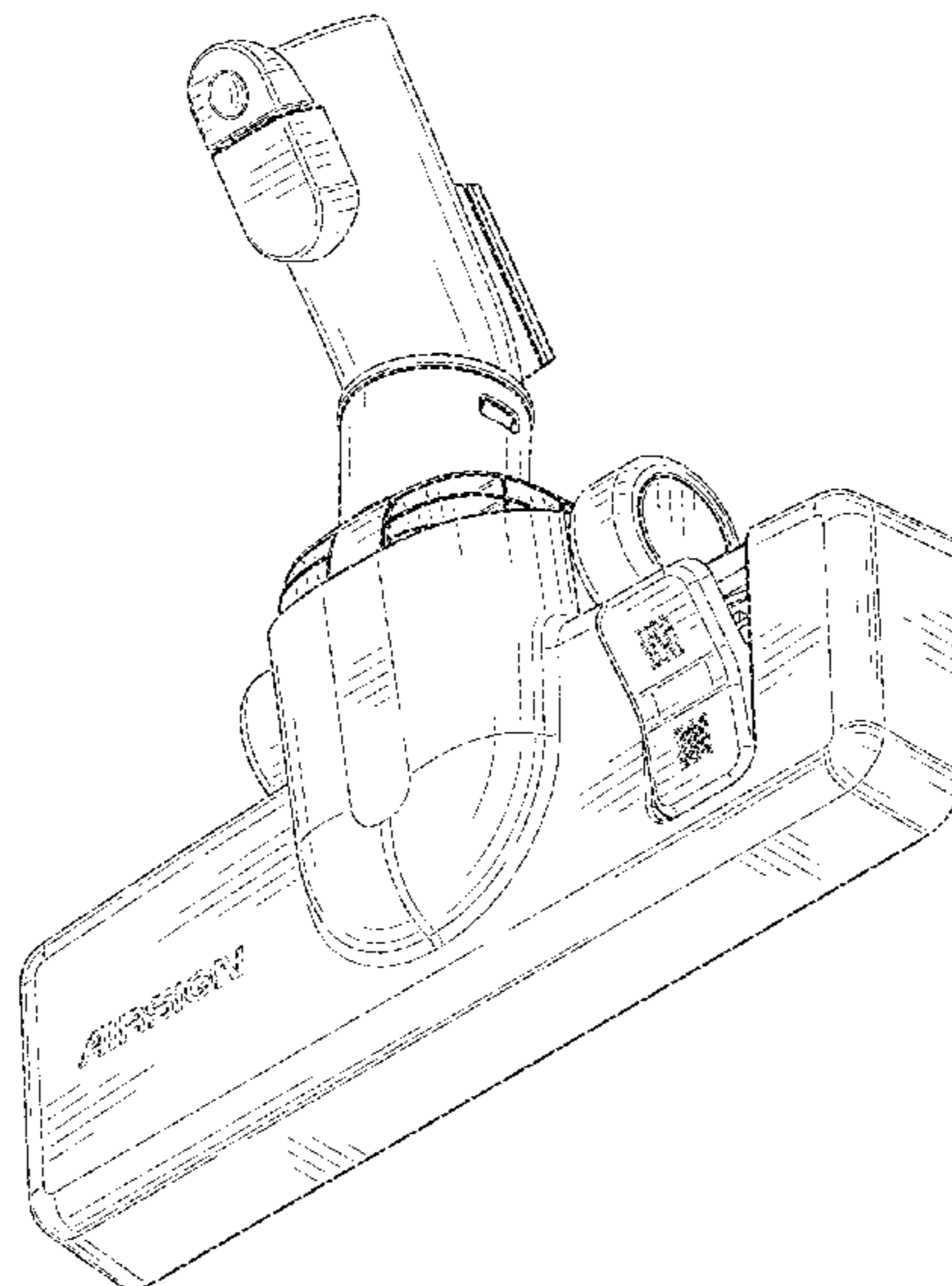
(57) **CLAIM**

The ornamental design for a vacuum floorhead, as shown and described.

**DESCRIPTION**

FIG. 1 is a top plan view of a vacuum floorhead;  
FIG. 2 is a bottom plan view thereof;  
FIG. 3 is a left side elevation view thereof;  
FIG. 4 is a right side elevation view thereof;  
FIG. 5 is a front elevation view thereof;  
FIG. 6 is a back elevation view thereof;  
FIG. 7 is a front top right perspective view thereof;  
FIG. 8 is a front top left perspective view thereof;  
FIG. 9 is a back top left perspective view thereof;  
FIG. 10 is a back top right perspective view thereof;  
FIG. 11 is a front bottom right perspective view thereof;  
FIG. 12 is a front bottom left perspective view thereof;  
FIG. 13 is a back bottom left perspective view thereof; and,  
FIG. 14 is a back bottom right perspective view thereof.  
broken lines are for environmental purposes only and form no part of the claimed design.

**1 Claim, 11 Drawing Sheets**



(56)

**References Cited**

U.S. PATENT DOCUMENTS

D812,827 S \* 3/2018 Yoon ..... D32/22  
D830,017 S \* 10/2018 Nam ..... D32/22  
10,357,135 B2 \* 7/2019 Son ..... A47L 9/2857  
10,413,142 B2 \* 9/2019 Hwang ..... A47L 9/0054  
10,512,378 B2 \* 12/2019 Son ..... A47L 9/327  
10,575,690 B2 \* 3/2020 Son ..... A47L 9/2805  
10,582,822 B2 \* 3/2020 Son ..... A47L 9/2884  
2001/0042285 A1 \* 11/2001 Seon ..... A47L 9/02  
15/415.1  
2011/0214686 A1 \* 9/2011 Chavana, Jr. .... A47L 9/2857  
134/1  
2019/0174983 A1 \* 6/2019 Roschi ..... A47L 9/009

OTHER PUBLICATIONS

Vacuum Cleaner Brush Head, posted Nov. 5, 2017 [online], [retrieved Dec. 7, 2023]. Retrieved from internet, <https://www.amazon.com/EZ-SPARES-Replacement-Universal-Anti-Static/dp/B0776RLV7J> (Year: 2017).\*

\* cited by examiner

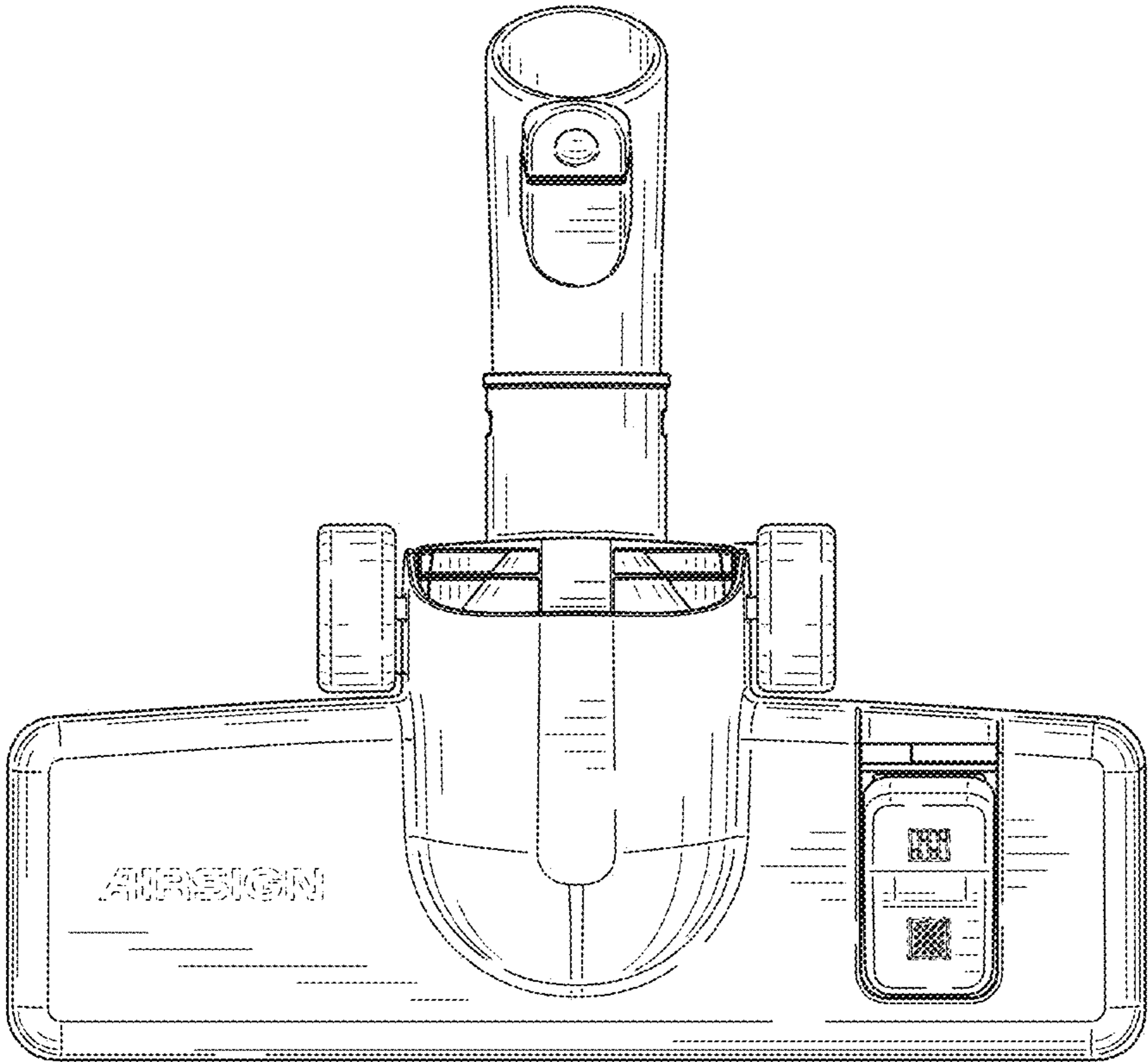


FIG. 1

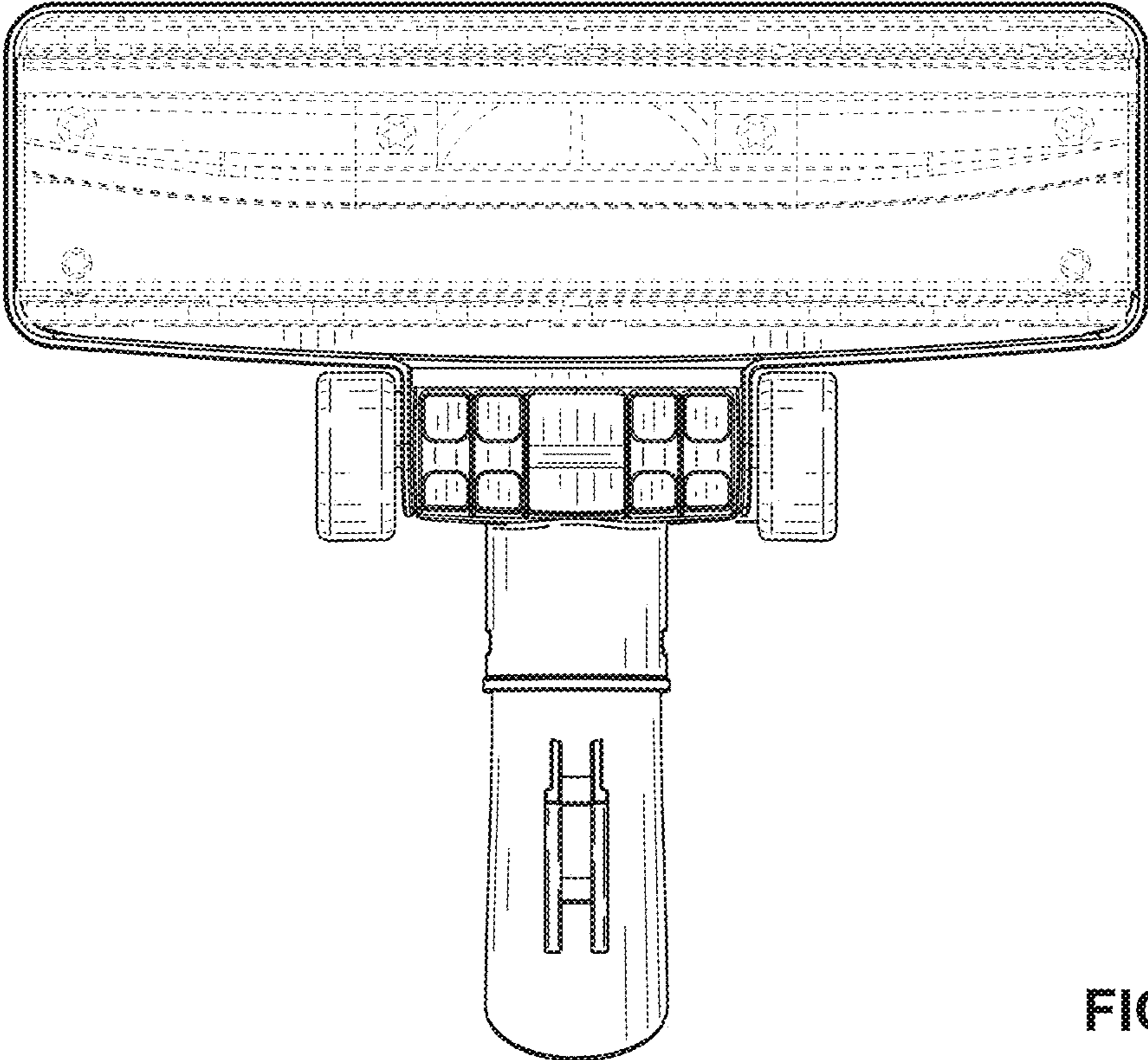


FIG. 2

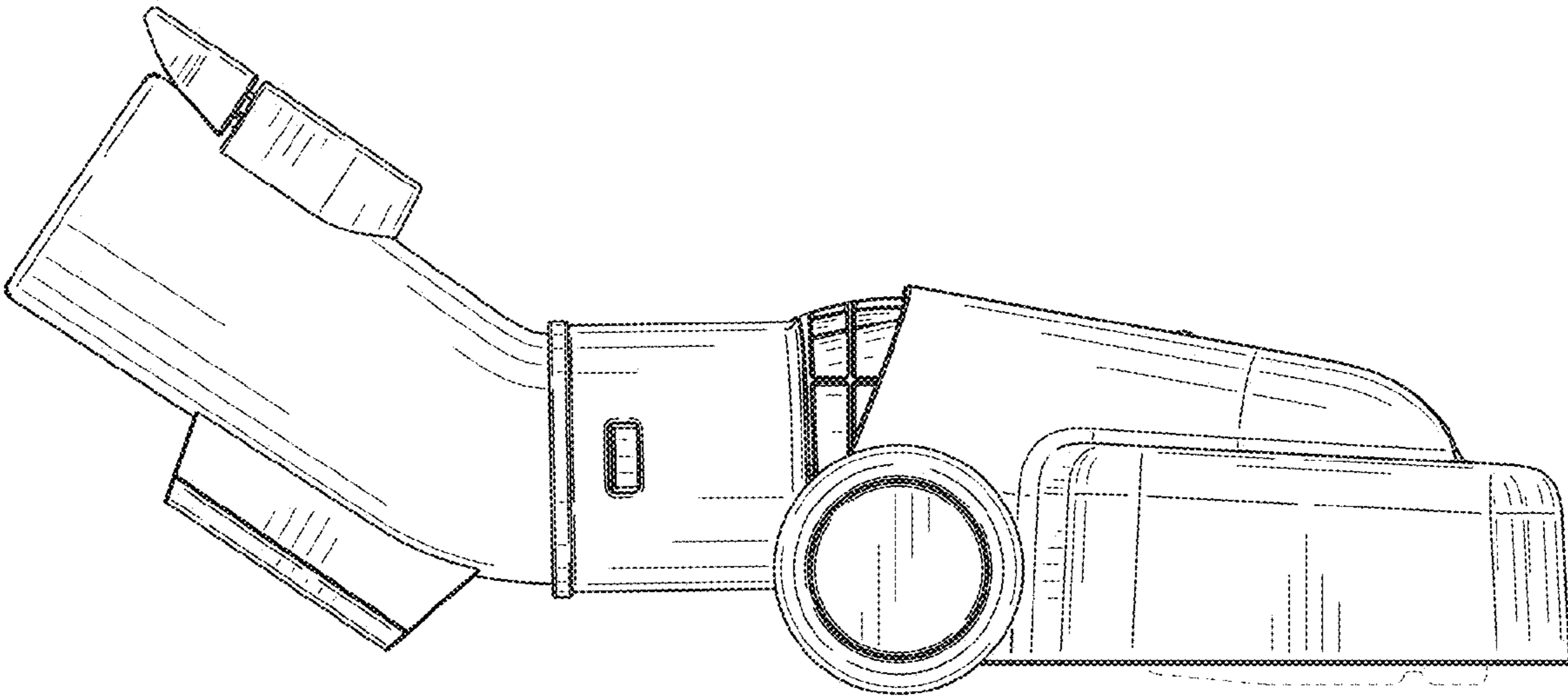


FIG. 3

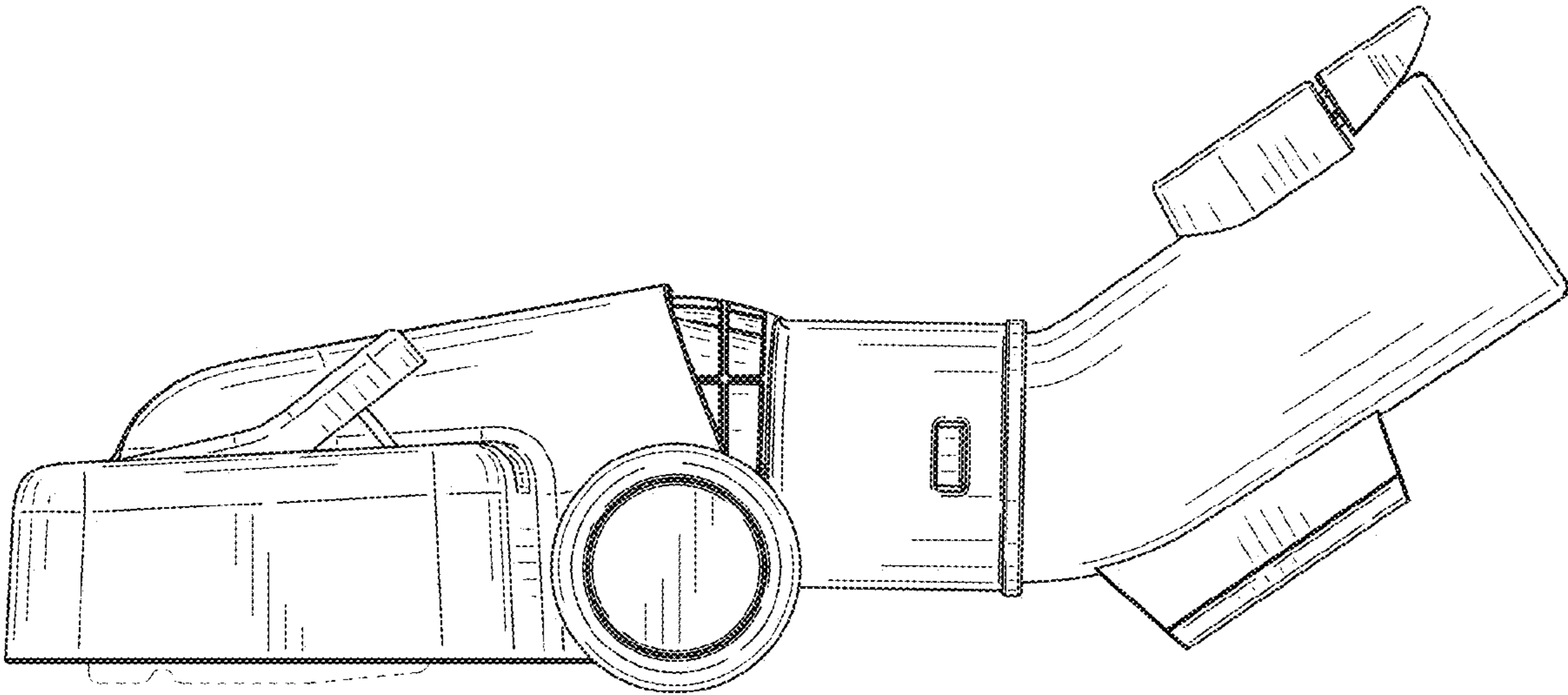


FIG. 4

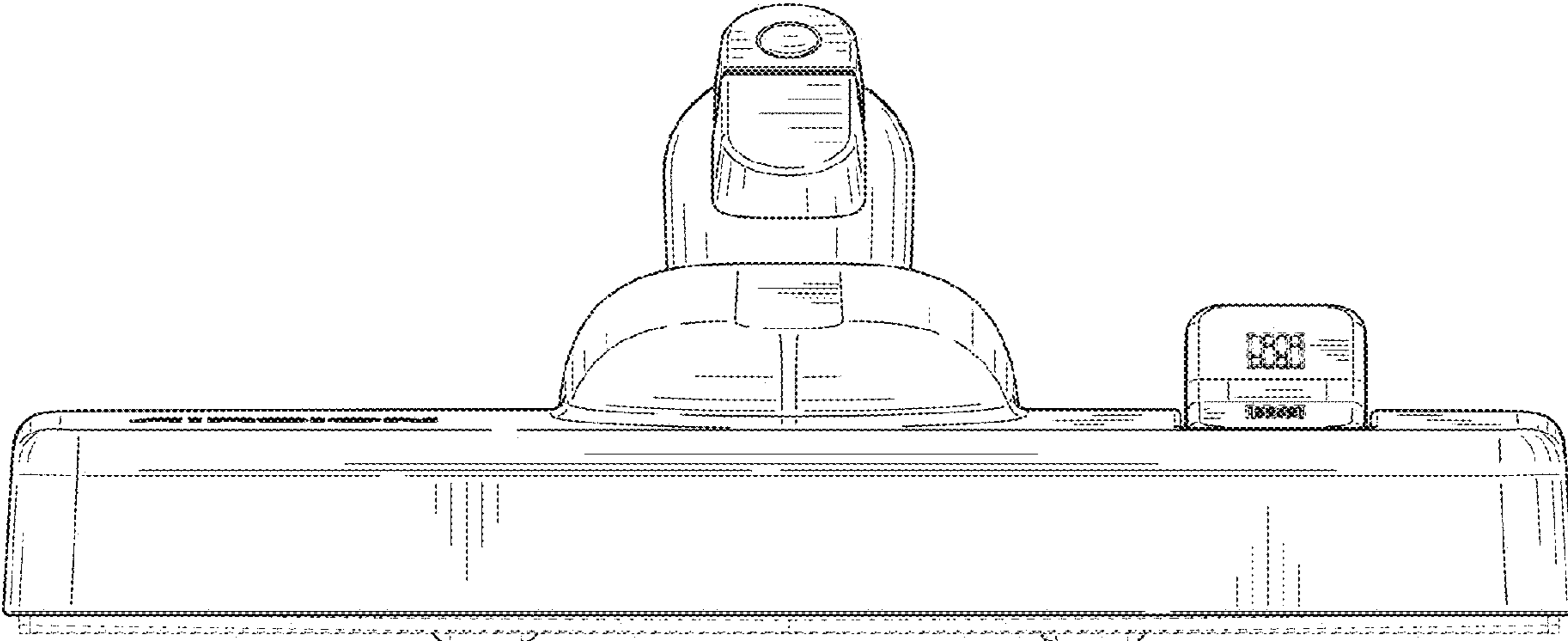


FIG. 5

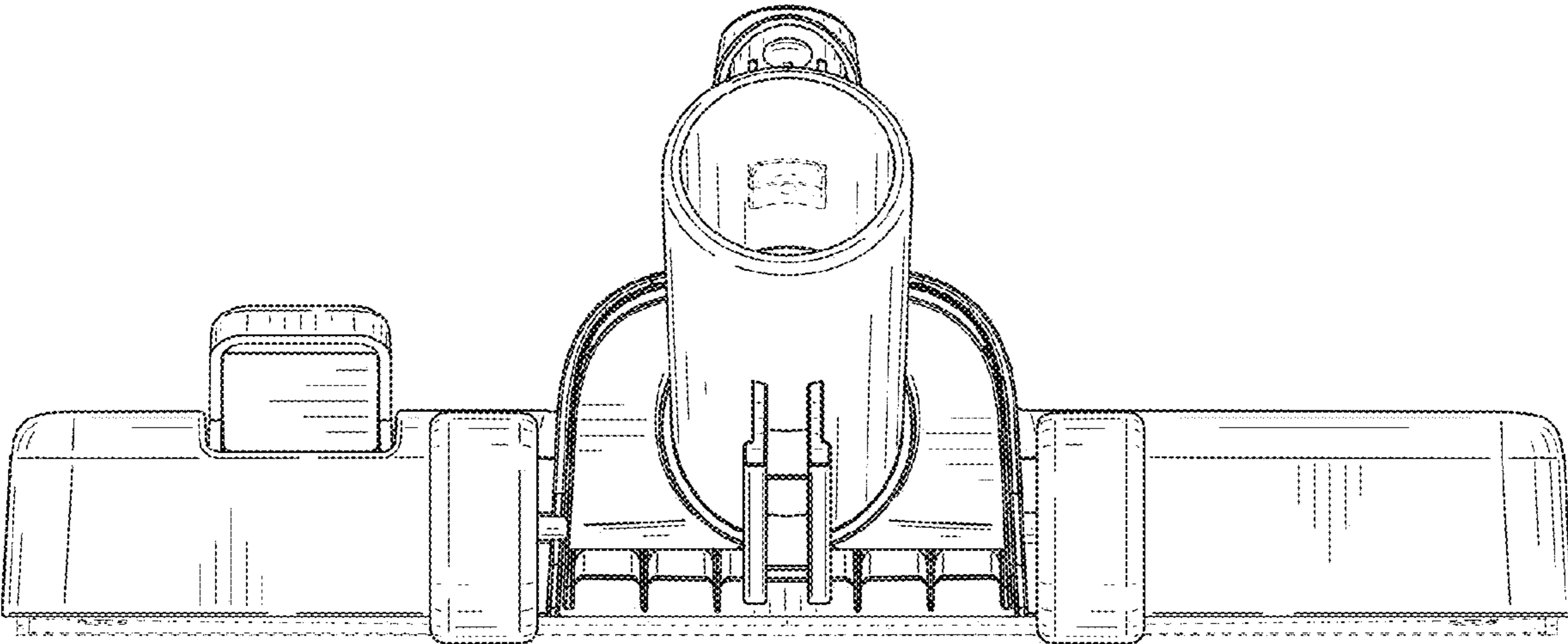


FIG. 6

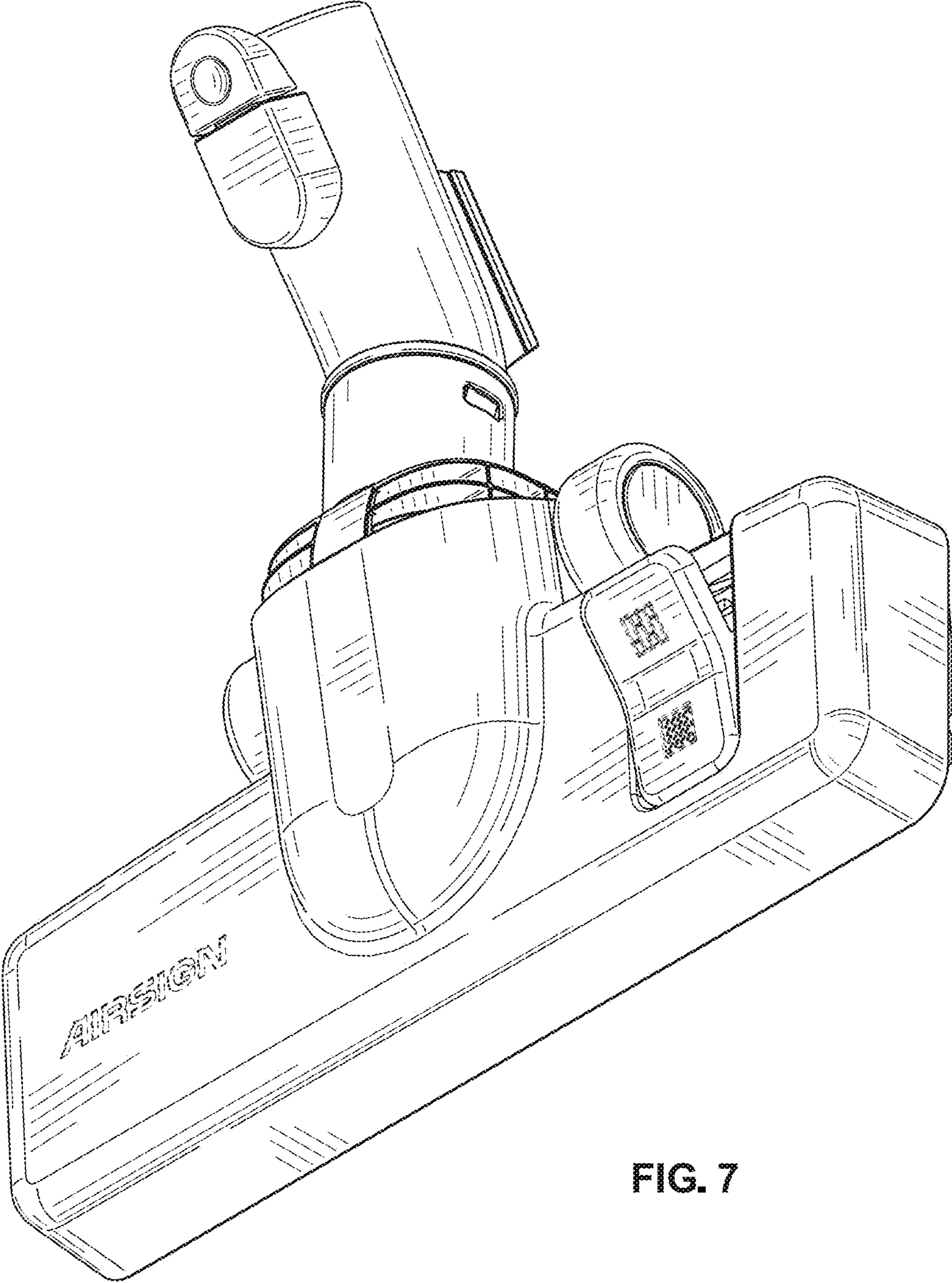


FIG. 7

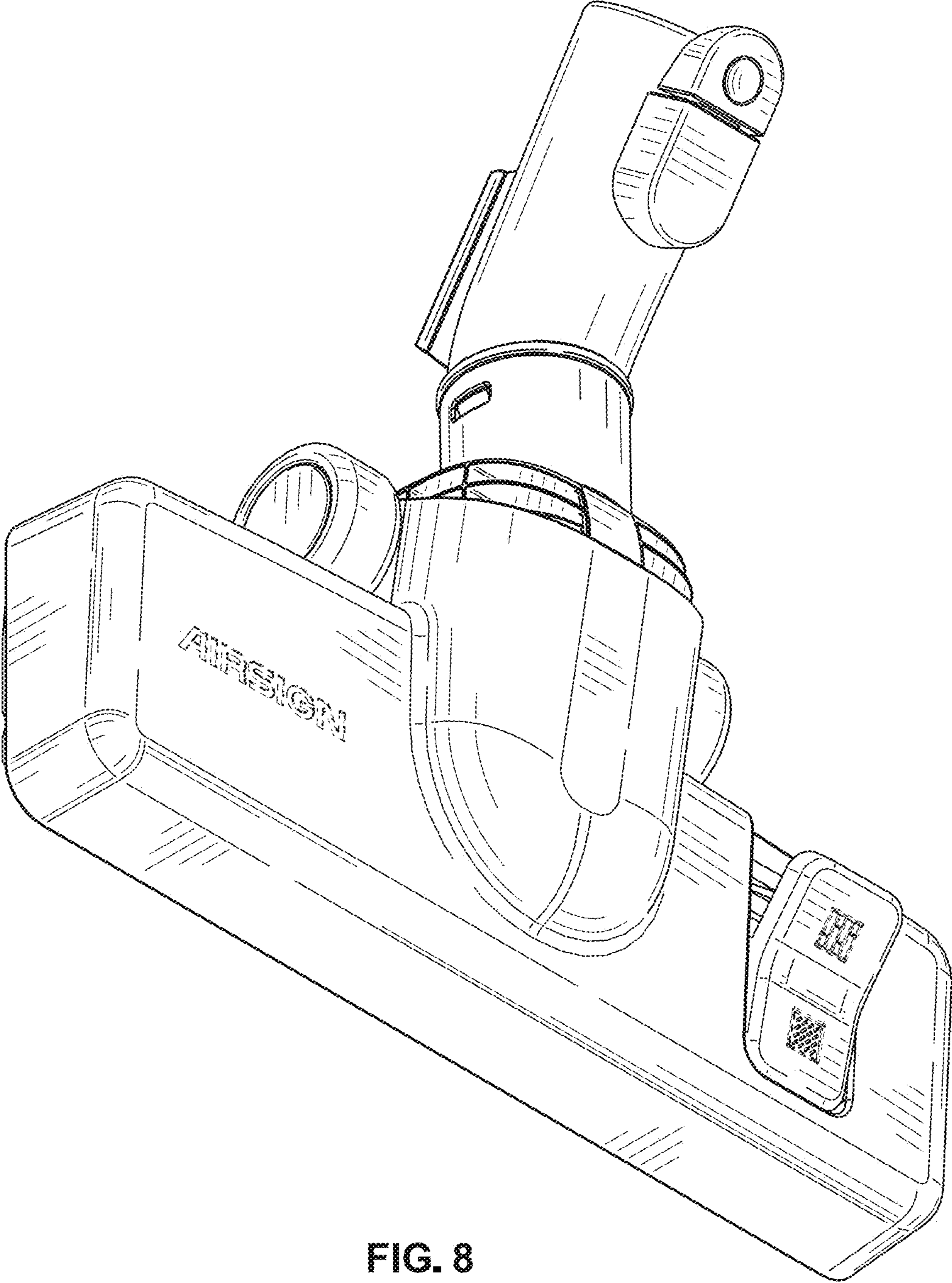


FIG. 8

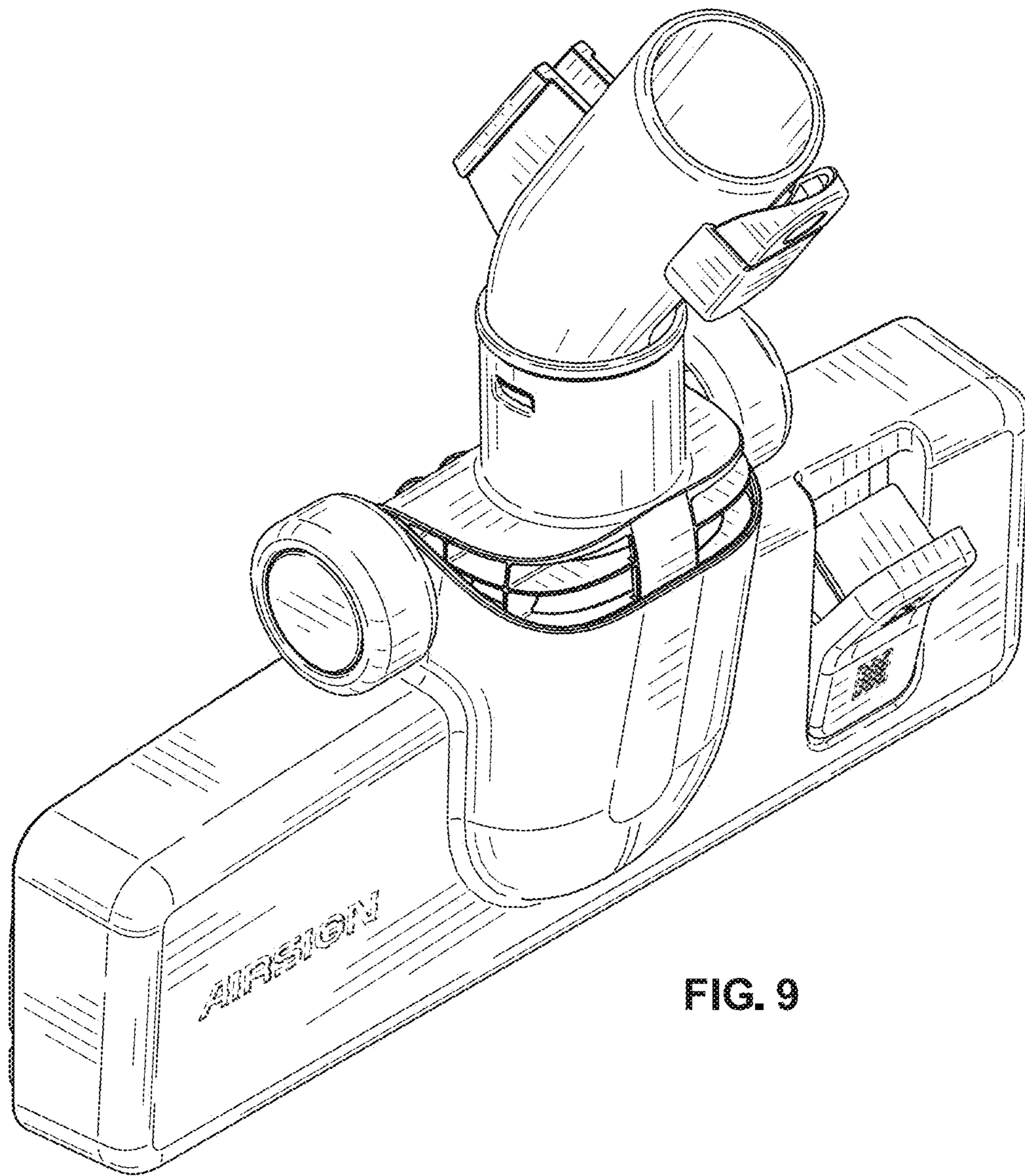


FIG. 9



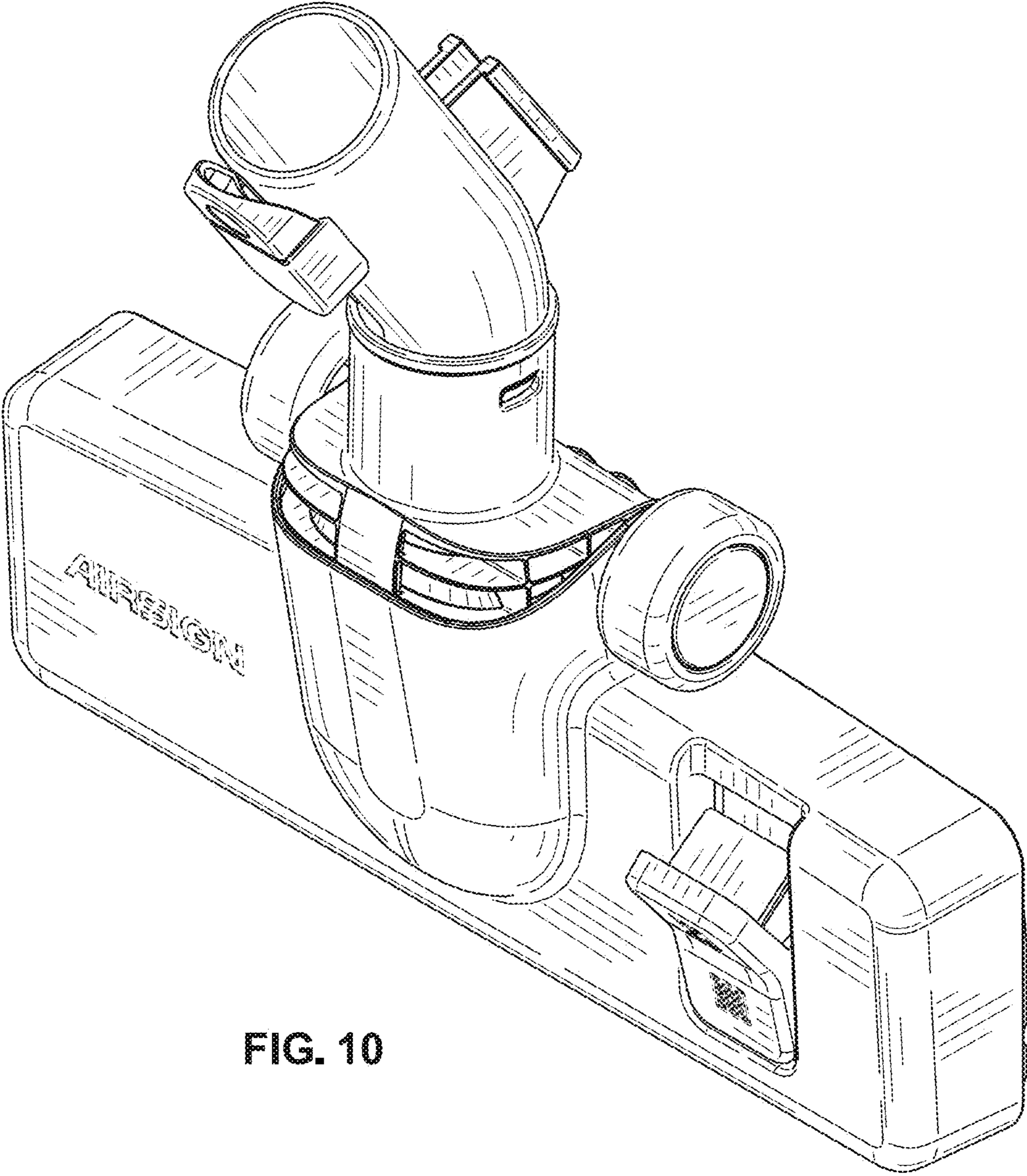


FIG. 10

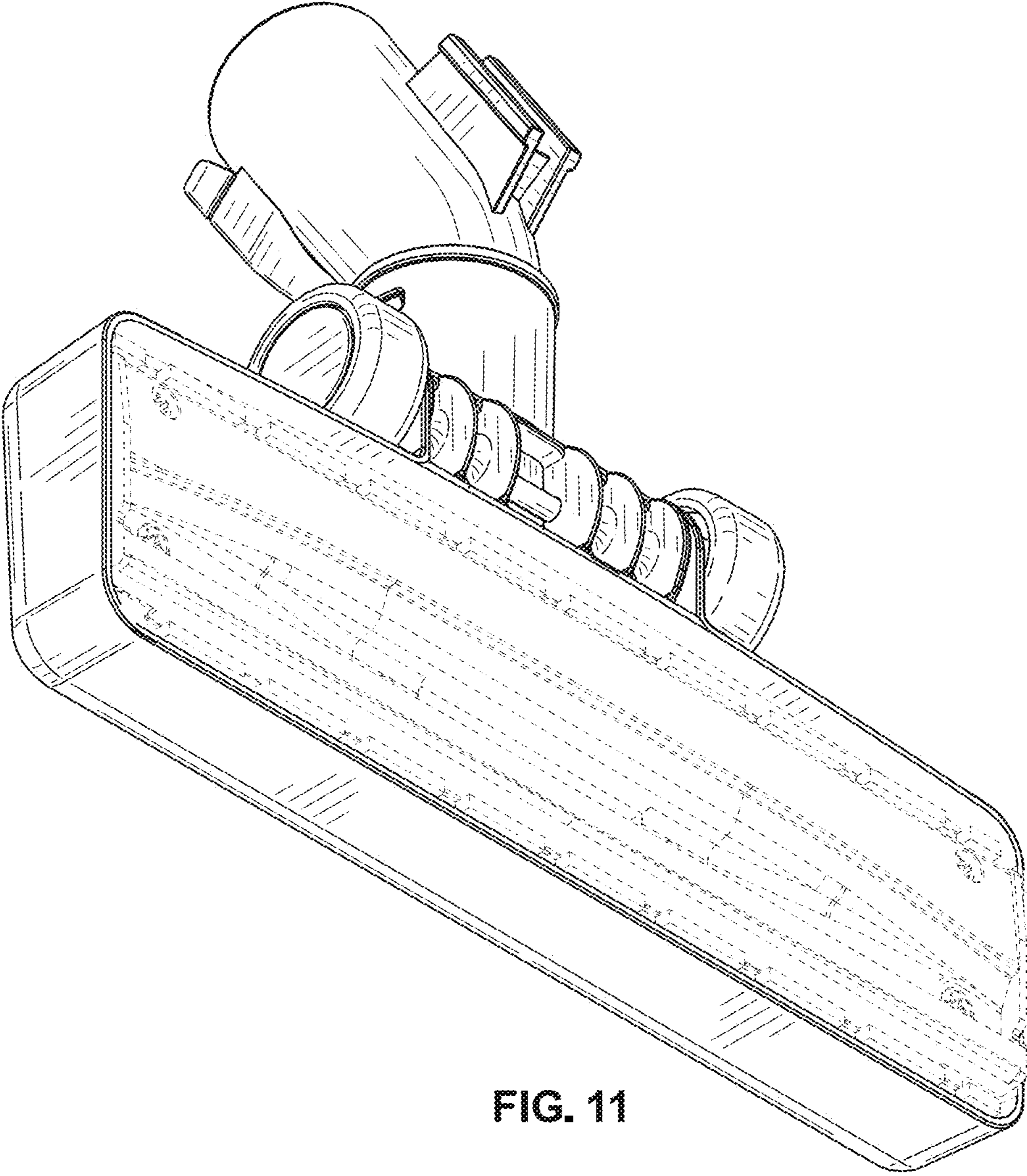


FIG. 11

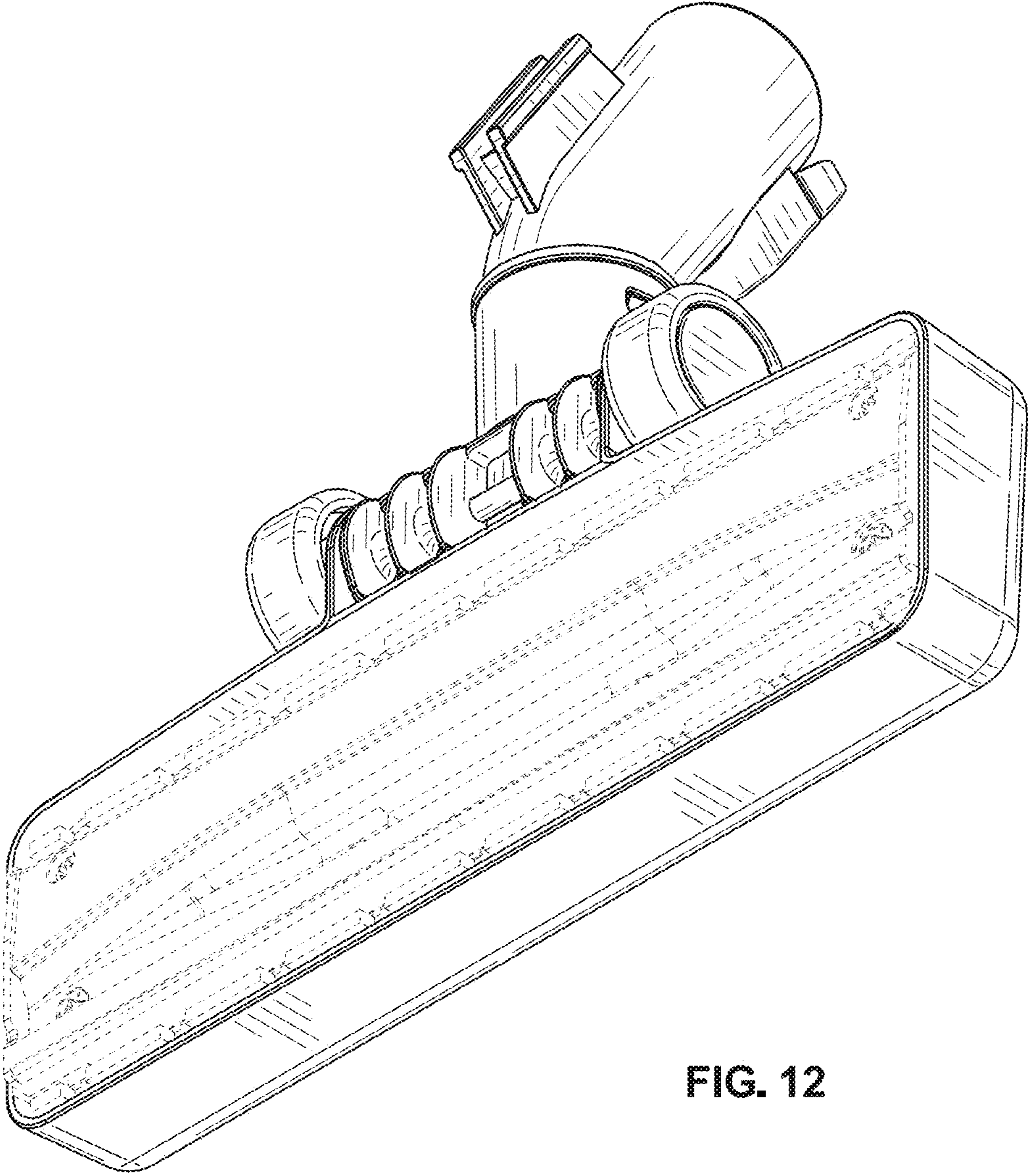


FIG. 12

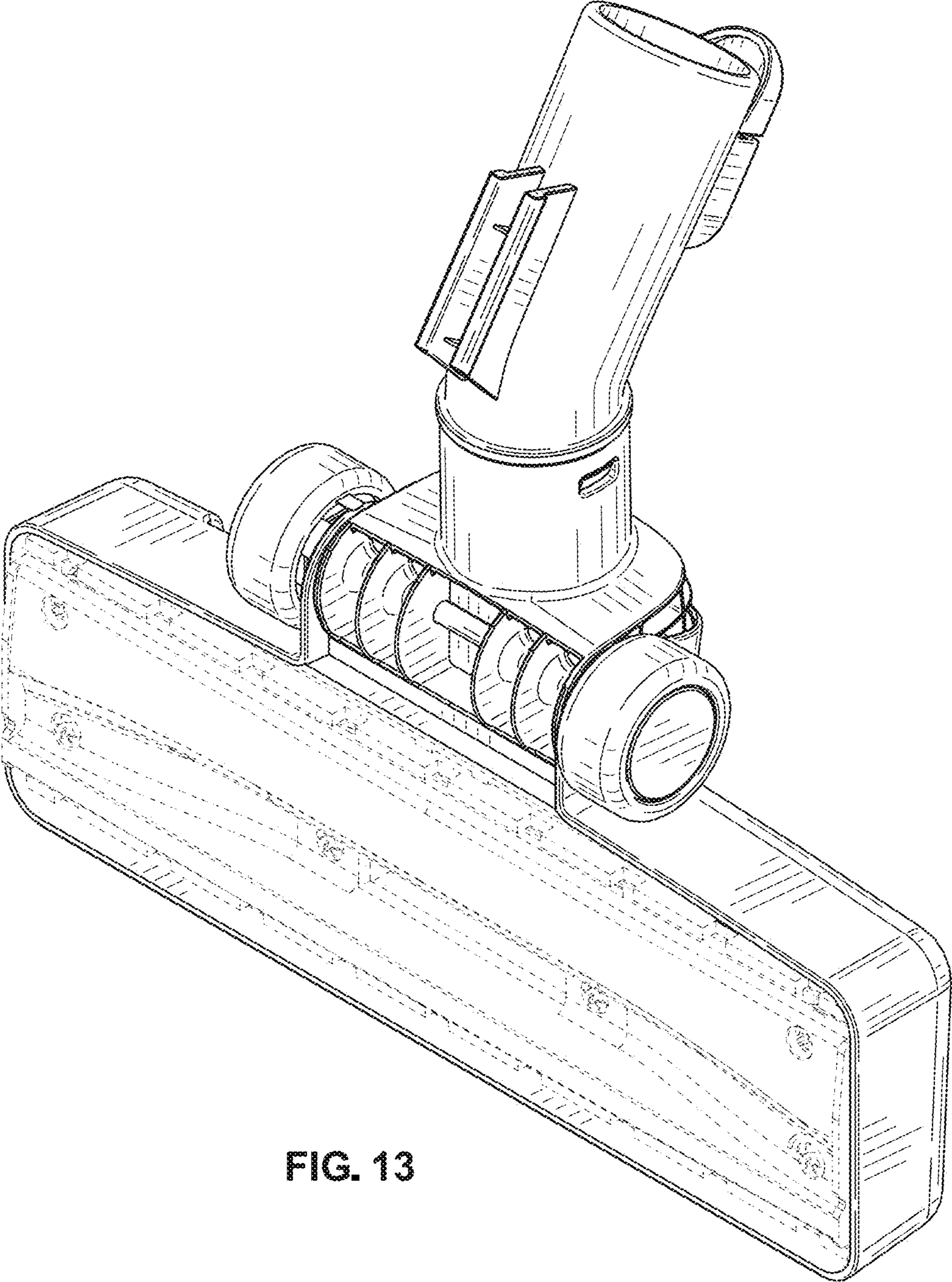


FIG. 13

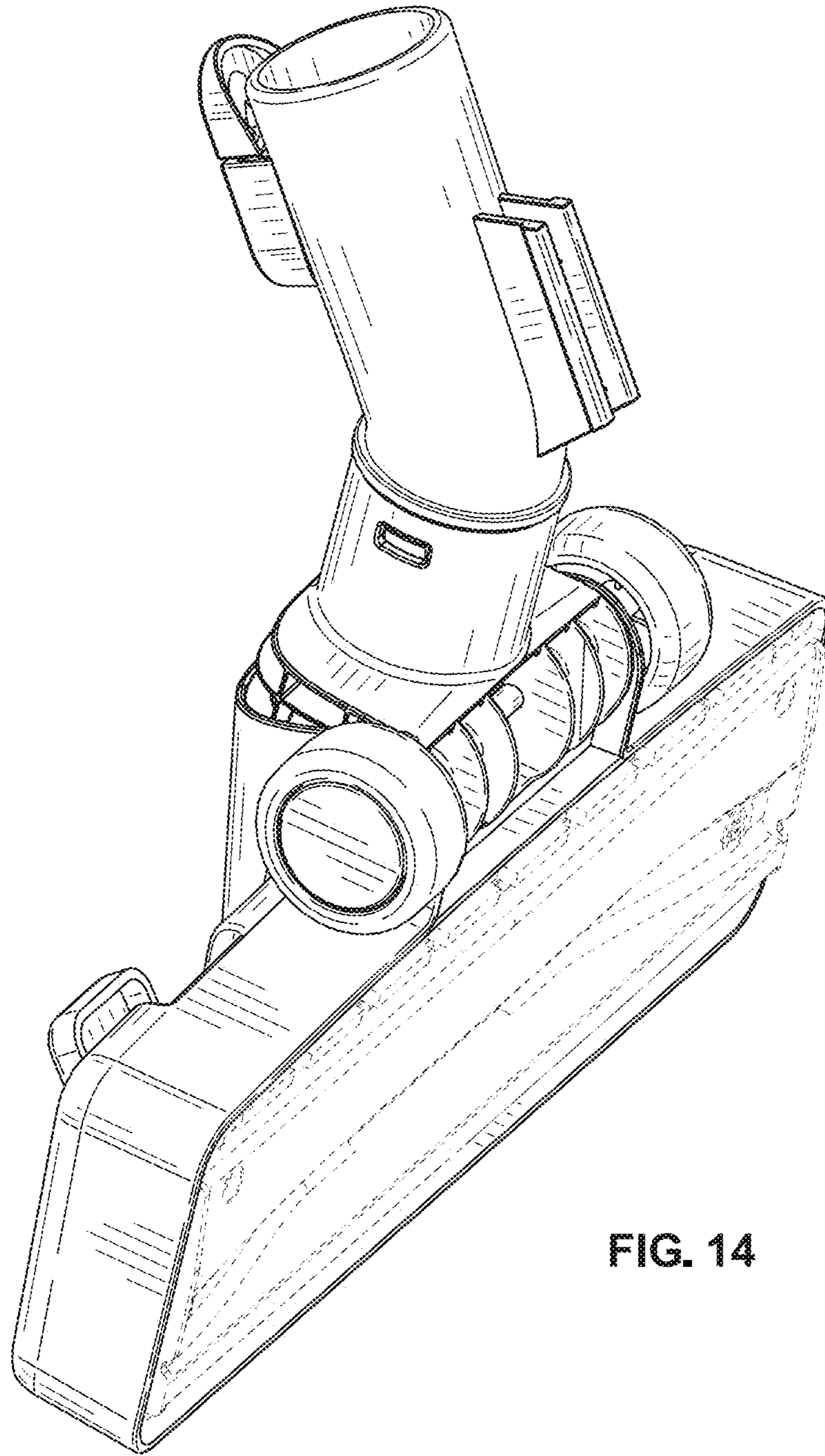


FIG. 14