



US0D1028252S

(12) **United States Design Patent** (10) **Patent No.:** **US D1,028,252 S**  
**Carey et al.** (45) **Date of Patent:** **\*\* May 21, 2024**

(54) **ANTENNA FOR USE WITH MEDICAL DEVICE**

(71) Applicant: **CVRx, Inc.**, Minneapolis, MN (US)

(72) Inventors: **Bart Carey**, Maplewood, MN (US);  
**Morgan Beeson**, Frisco, TX (US);  
**Chris Story**, Haltom City, TX (US);  
**Annette Bittle**, Rockwall, TX (US);  
**Clifford Rockwell**, Maple Grove, MN (US);  
**Al Crouse**, Stillwater, MN (US)

(73) Assignee: **CVRx, Inc.**, Minneapolis, MN (US)

(\*\*) Term: **15 Years**

(21) Appl. No.: **29/844,918**

(22) Filed: **Jul. 1, 2022**

(51) **LOC (14) Cl.** ..... **24-02**

(52) **U.S. Cl.**  
USPC ..... **D24/186; D24/231**

(58) **Field of Classification Search**  
USPC ..... D24/128, 144, 184-186, 227, 229-231,  
D24/234; D10/75; D14/358; D15/144.1  
CPC ..... A61B 5/162; A61B 5/165; A61B 5/4088;  
A61B 3/113; A61B 2560/0431; G09B  
7/02

See application file for complete search history.

(56) **References Cited**

**U.S. PATENT DOCUMENTS**

D318,331 S *	7/1991	Phillips	.....	D24/186
D325,440 S *	4/1992	Landis	.....	D24/185
D411,621 S *	6/1999	Eisenbarth	.....	D24/169
D465,575 S *	11/2002	Piel	.....	D24/200
D483,872 S *	12/2003	Cruz	.....	D24/186
D495,418 S *	8/2004	Rounds	.....	D24/169
D508,565 S *	8/2005	Nepin	.....	D14/336

D548,347 S *	8/2007	Ichino	.....	D24/186
D549,830 S *	8/2007	Behar	.....	D24/186
D551,769 S *	9/2007	Skwarek	.....	D24/186
D579,569 S *	10/2008	Strawn	.....	D24/186
D622,844 S *	8/2010	Alexander	.....	D24/134
D642,691 S *	8/2011	Barker	.....	D24/186
D713,963 S *	9/2014	Liedtke	.....	D24/169
D727,498 S *	4/2015	Creed	.....	D24/144
D748,805 S *	2/2016	Wolfson	.....	D24/185
D942,021 S *	1/2022	Estes	.....	D24/186

**OTHER PUBLICATIONS**

Medtronic Clinician Programmer, Online, Published date Aug. 20, 2018, Retrieved on Nov. 27, 2023 from URL: [https://www.researchgate.net/figure/Icon-patient-programmer-and-Medtronic-Clinician-Programmer-with-the-antenna-extended-for\\_fig2\\_327119482](https://www.researchgate.net/figure/Icon-patient-programmer-and-Medtronic-Clinician-Programmer-with-the-antenna-extended-for_fig2_327119482) (Year: 2018).\*

\* cited by examiner

*Primary Examiner* — Omeed Agilee

*Assistant Examiner* — Eric Eldone Tormanen

(74) *Attorney, Agent, or Firm* — Husch Blackwell LLP

(57) **CLAIM**

We claim the ornamental design for antenna for use with medical device, as shown.

**DESCRIPTION**

FIG. 1 is a perspective view of an antenna for use with medical device in a first position.

FIG. 2 is a top plan view thereof.

FIG. 3 is a bottom plan view thereof.

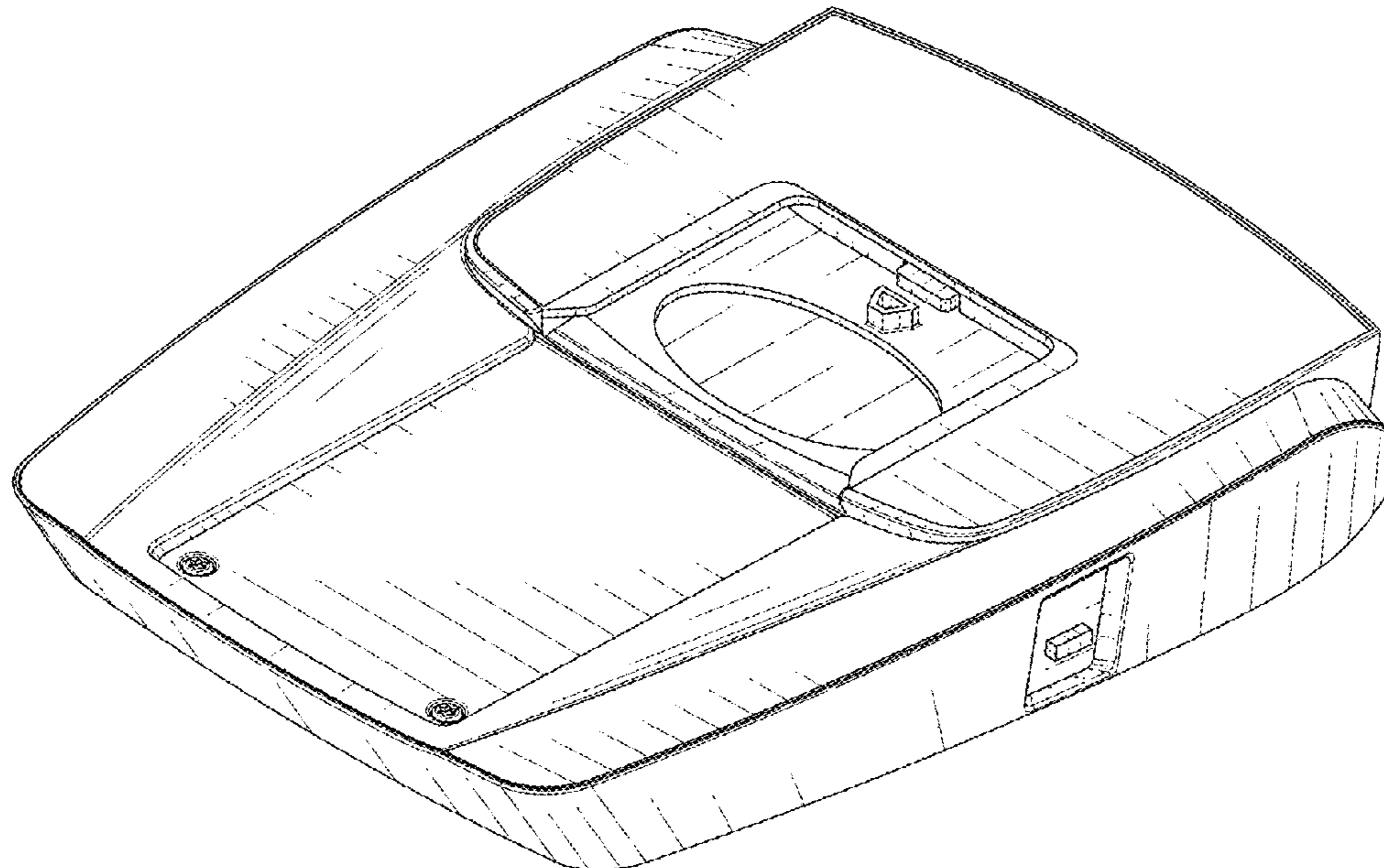
FIG. 4 is a left side elevation view thereof.

FIG. 5 is a right side elevation view thereof.

FIG. 6 is a rear elevation view thereof; and,

FIG. 7 is a front elevation view thereof.

**1 Claim, 5 Drawing Sheets**



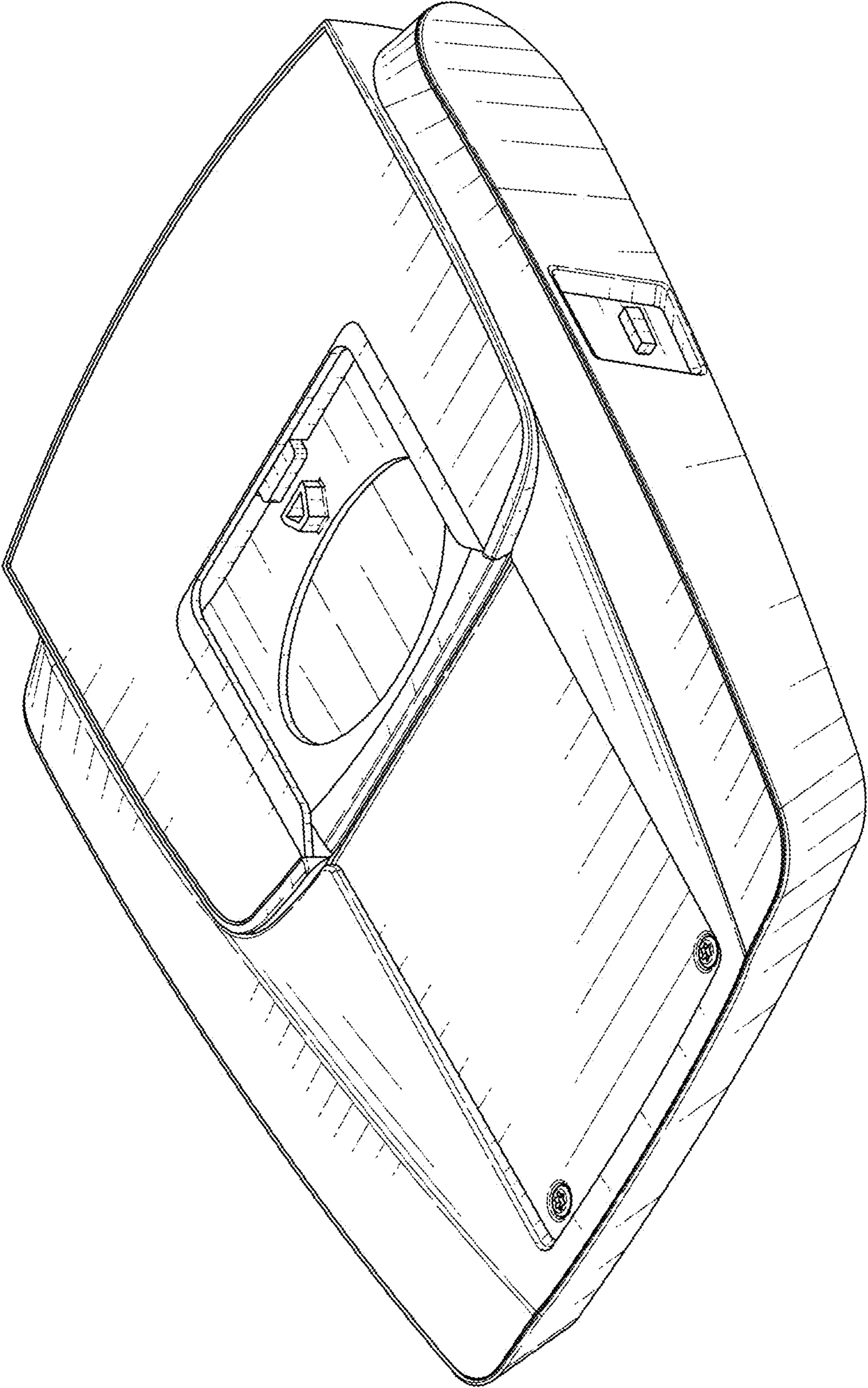


FIG. 1

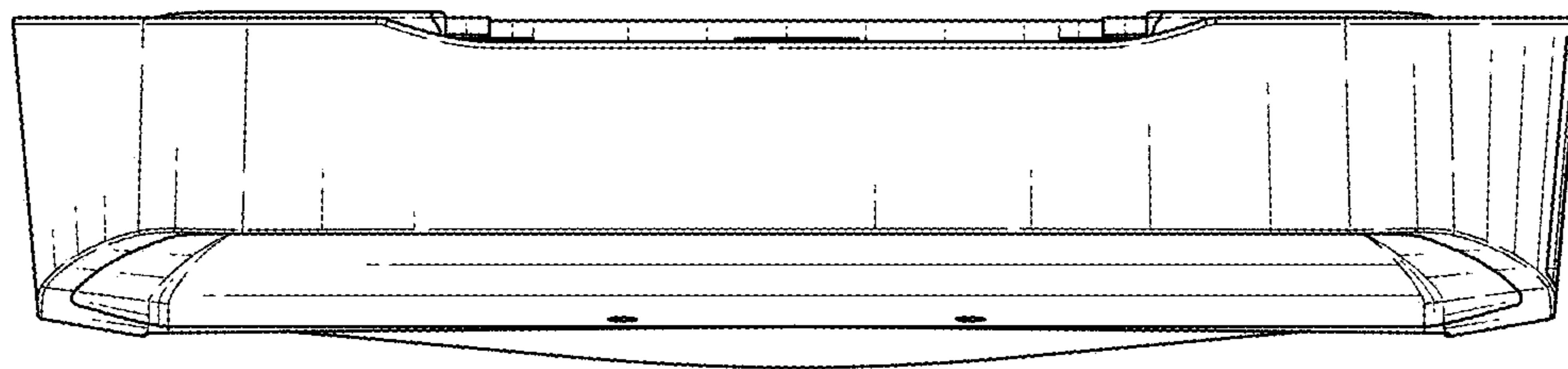


FIG. 2

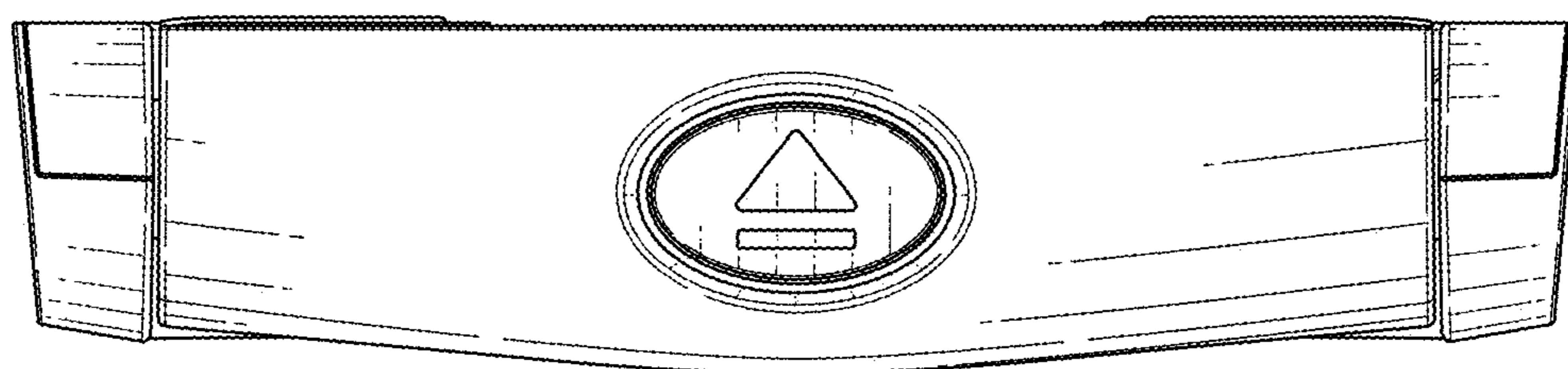


FIG. 3



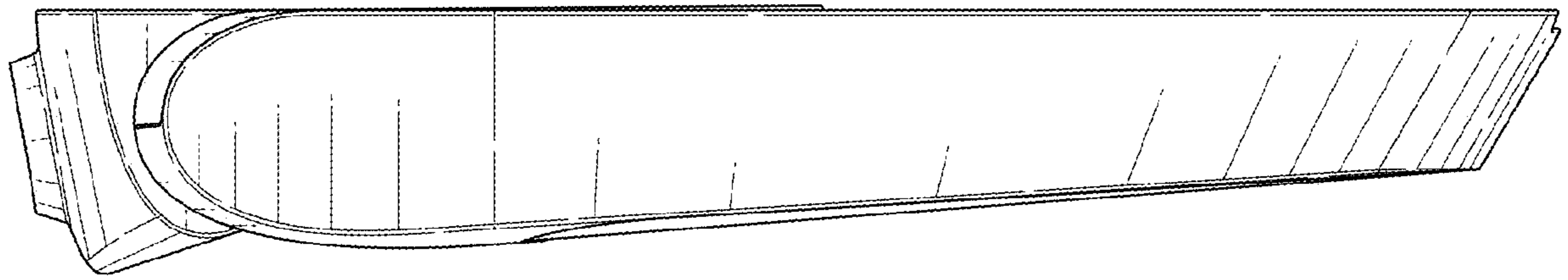


FIG. 4

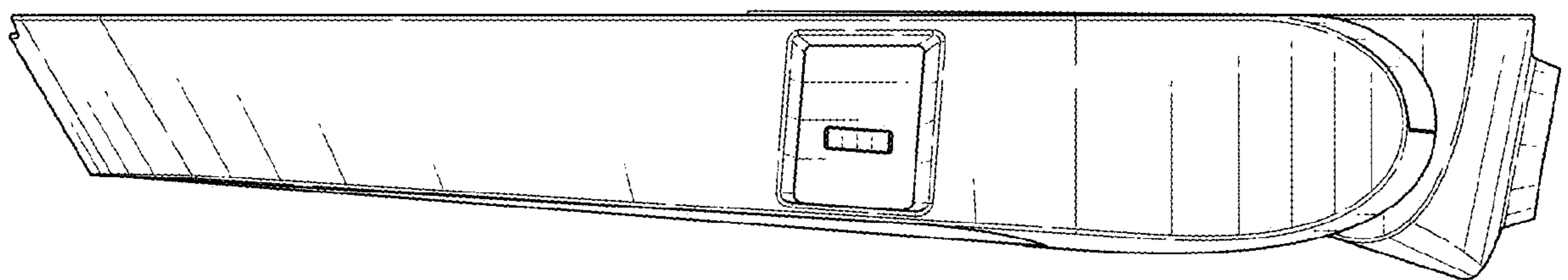


FIG. 5

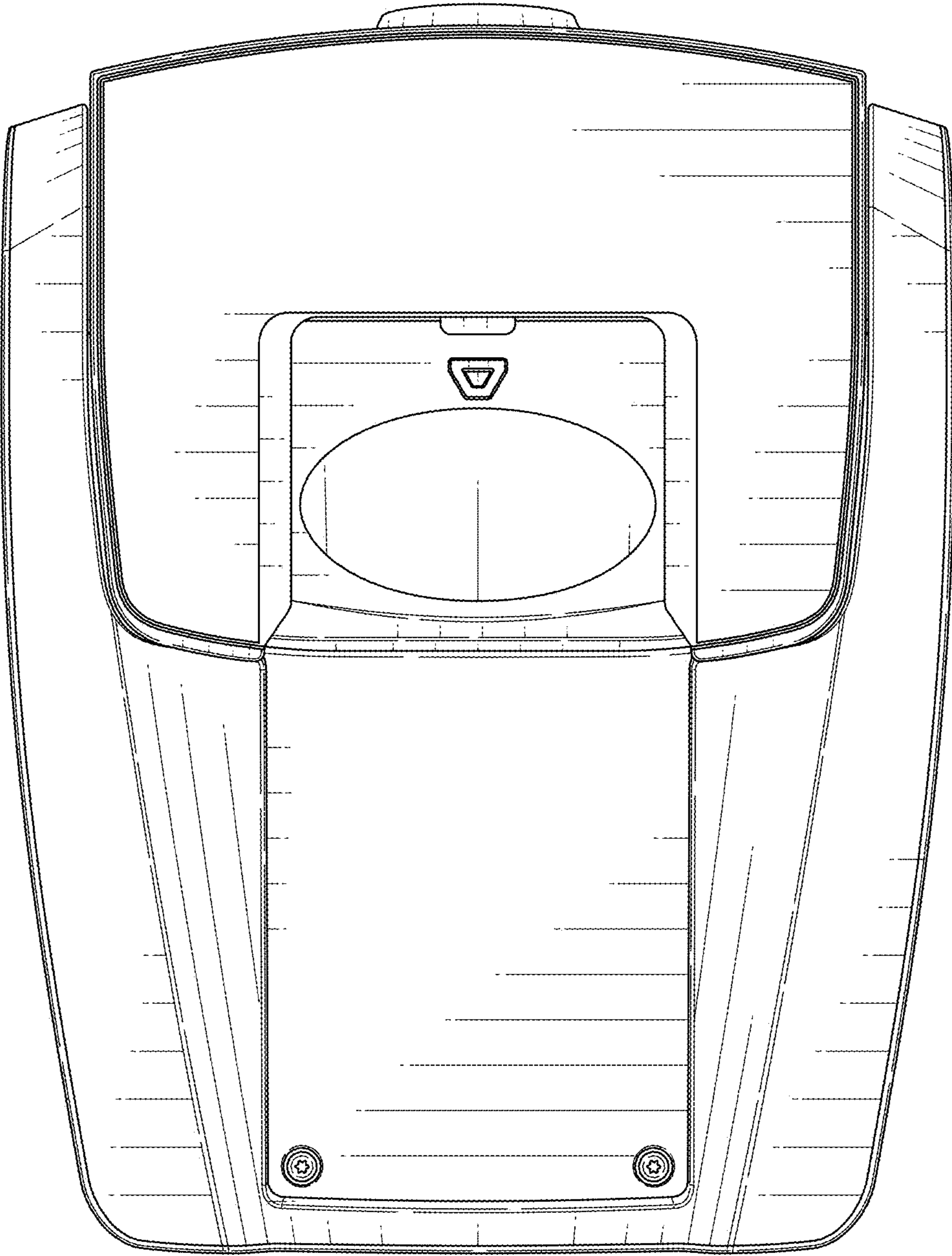


FIG. 6

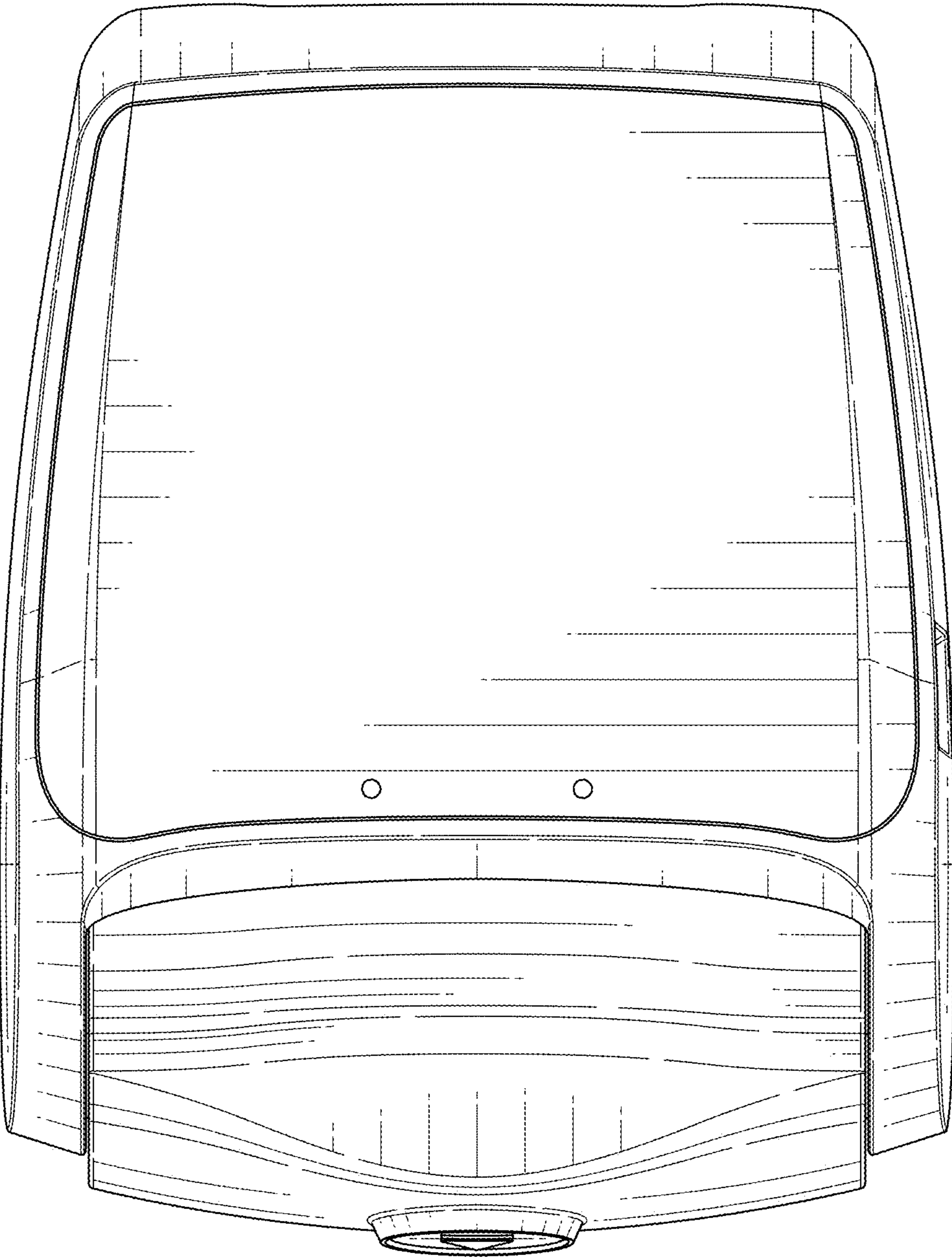


FIG. 7