



US0D1028193S

(12) **United States Design Patent** (10) **Patent No.:** **US D1,028,193 S**
Gleaton (45) **Date of Patent:** **** May 21, 2024**

(54) **PELLET HEATER**

FOREIGN PATENT DOCUMENTS

(71) Applicant: **Fair Game Group LLC**, Carrollton, TX (US)

CN 207907286 U 9/2018
WO DM052761 5/2000

(Continued)

(72) Inventor: **Bradley Gleaton**, Dallas, TX (US)

OTHER PUBLICATIONS

(73) Assignee: **Fair Game Group LLC**, Dallas, TX (US)

Stûv 30, flyer from stuvamerica.com, at least by Nov. 19, 2021, by Stûv America.

(Continued)

(**) Term: **15 Years**

Primary Examiner — Ania Aman

(21) Appl. No.: **29/790,328**

(74) *Attorney, Agent, or Firm* — Timothy G. Ackermann

(22) Filed: **Nov. 19, 2021**

(57) **CLAIM**

(51) **LOC (14) Cl.** **23-03**

The ornamental design for a pellet heater, as shown and described.

(52) **U.S. Cl.**

DESCRIPTION

USPC **D23/332**

(58) **Field of Classification Search**

USPC D23/314, 317, 329, 332, 334, 335, 336, D23/337, 338, 339, 340, 342, 343
CPC F24C 7/105; F24C 1/10; F24C 3/04; F24C 7/065; F24C 1/16; F23D 14/12; F24H 3/00; F24B 13/04
See application file for complete search history.

FIG. 1 is a top, left, front perspective view of a pellet heater, showing my new design.

FIG. 2 is a bottom, right, rear perspective view thereof.

FIG. 3 is a top plan view thereof.

FIG. 4 is a bottom plan view thereof.

FIG. 5 is a left elevation view thereof.

FIG. 6 is a right elevation view thereof.

FIG. 7 is a front elevation view thereof.

FIG. 8 is a rear elevation view thereof.

FIG. 9 is a top, left, front perspective view of pellet heater shown in FIG. 1 but with an alternate unclaimed environmental feature.

FIG. 10 is a bottom, right, rear perspective view thereof.

FIG. 11 is a top plan view thereof.

FIG. 12 is a bottom plan view thereof.

FIG. 13 is a left elevation view thereof.

FIG. 14 is a right elevation view thereof.

FIG. 15 is a front elevation view thereof; and,

FIG. 16 is a rear elevation view thereof.

The broken lines, where shown, represent portions of the pellet heater that form no part of the claimed design.

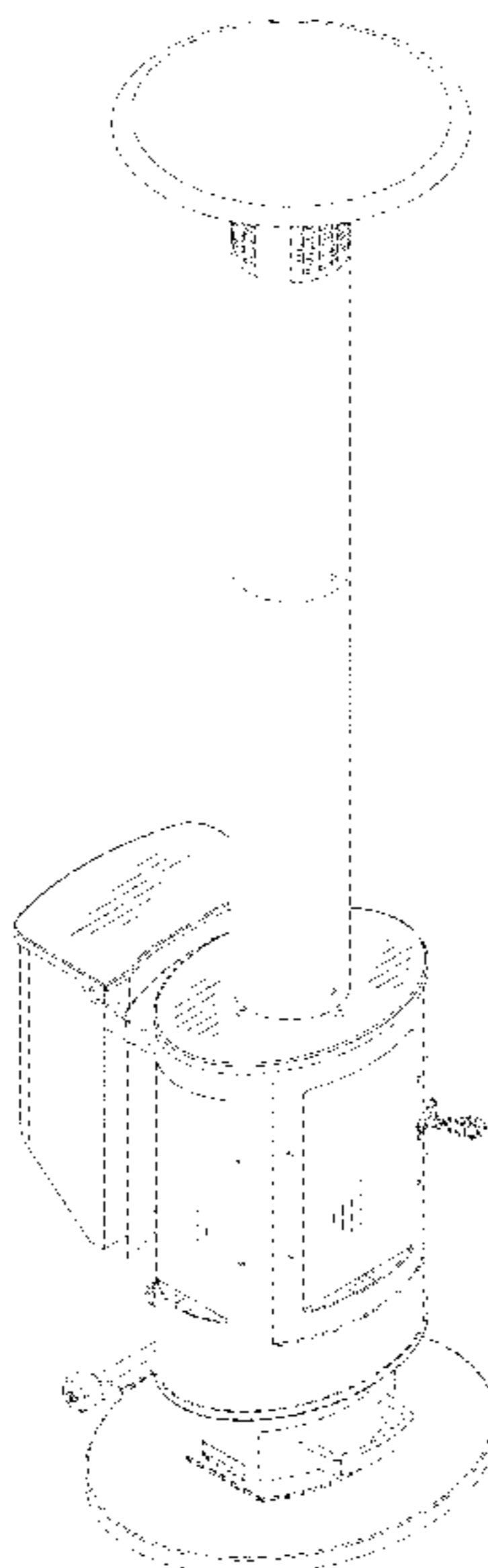
(56) **References Cited**

U.S. PATENT DOCUMENTS

168,047 A * 9/1875 Perry et al. F23B 5/00 126/7
D265,500 S * 7/1982 Smith D23/343
D289,195 S * 4/1987 Desautels D23/343
6,035,768 A * 3/2000 Kaufman A47J 37/0763 99/449
D608,878 S * 1/2010 Mattis D23/346
D710,982 S * 8/2014 Baril D23/314
D770,605 S * 11/2016 Wu D23/332
D835,246 S * 12/2018 Zhang D23/332
D846,716 S * 4/2019 Maki D23/342

(Continued)

1 Claim, 11 Drawing Sheets



(56)

References Cited

U.S. PATENT DOCUMENTS

D849,900	S *	5/2019	Wu	D23/332
D865,142	S *	10/2019	Wu	D23/332
D940,842	S *	1/2022	Wang	D23/336
D941,975	S *	1/2022	Thomas	D7/332
D953,499	S *	5/2022	Scott	D23/318
D976,377	S *	1/2023	Thomas	D7/332
D994,846	S *	8/2023	Traeger	D23/342
2010/0192934	A1 *	8/2010	Ashmore	F24B 1/24
					110/341
2013/0160757	A1 *	6/2013	Atemboski	F24B 13/04
					126/501
2014/0238282	A1 *	8/2014	Zhu	F24B 1/08
					110/297
2017/0172158	A1 *	6/2017	Lipinski	A47J 37/0704
2017/0215641	A1 *	8/2017	DeBruler	A47J 37/0704
2019/0234610	A1 *	8/2019	Abbott	F23B 50/12
2022/0079383	A1 *	3/2022	Mercer	A47J 36/32
2022/0357040	A1 *	11/2022	Simon	F24B 13/04

FOREIGN PATENT DOCUMENTS

WO	DM063596	6/2003
WO	DM066552	4/2005

OTHER PUBLICATIONS

Big Timber Patio Heater, product page on woodpelletproducts.com, at least by Nov. 19, 2021, by Wood Pellet Products.
 Tracy Levy, Modern Wood Stoves, blog post on hvcontemporaryhomes.com, Jan. 4, 2017, by HV Contemporary Homes.

* cited by examiner

FIG. 1

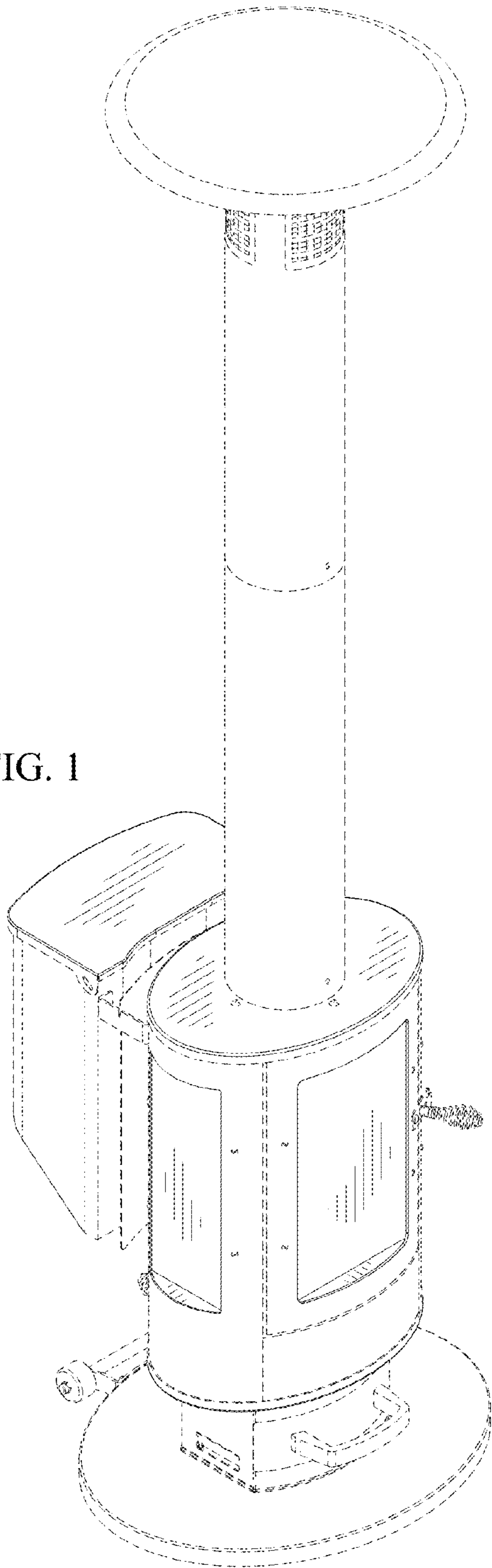
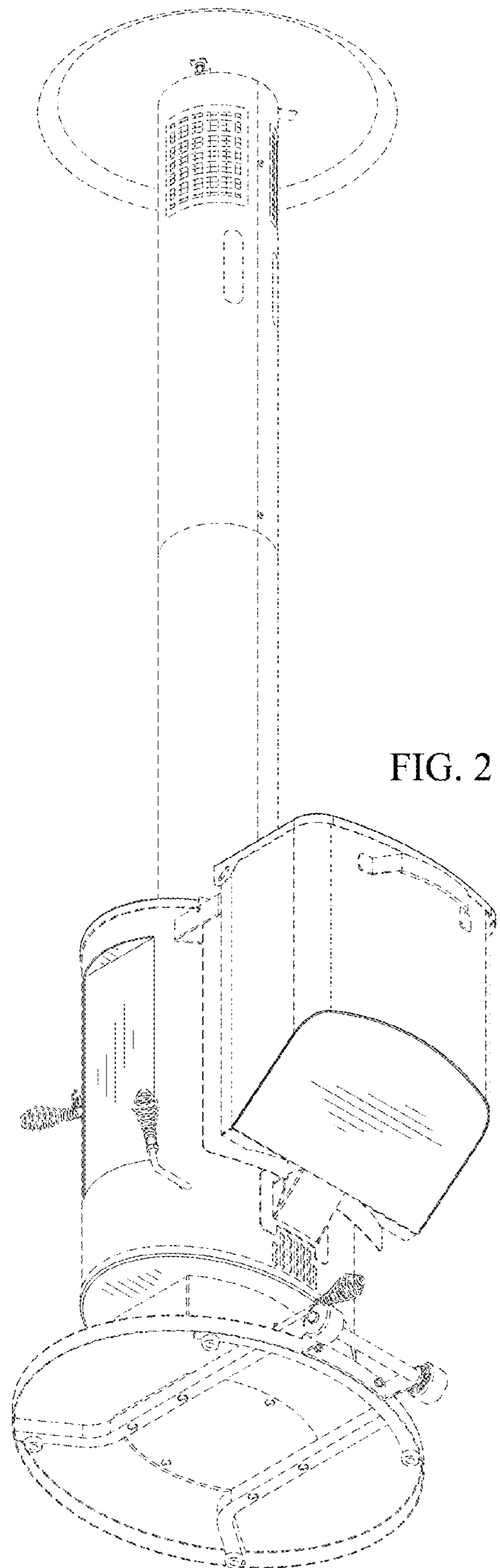


FIG. 2



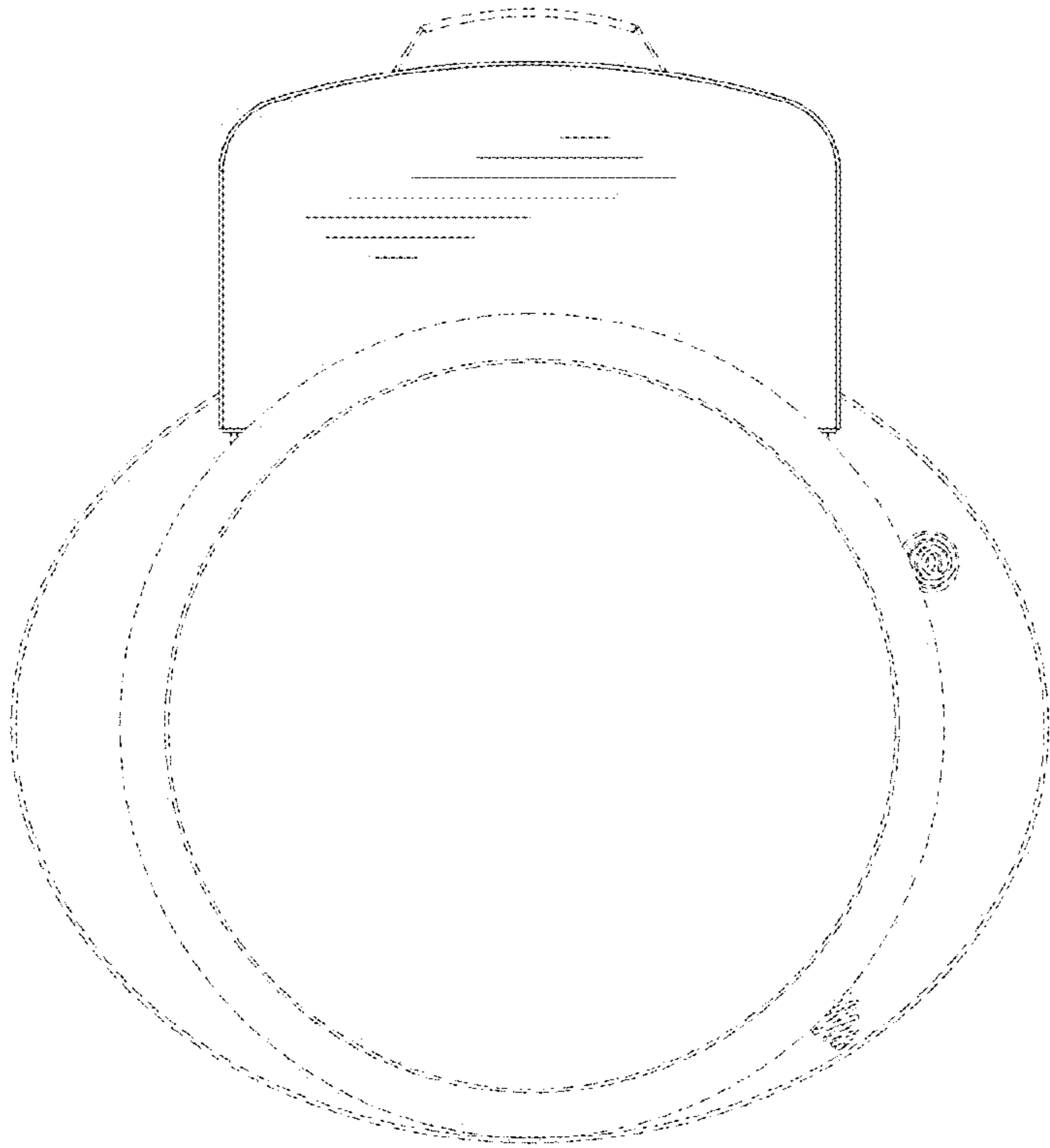


FIG. 3

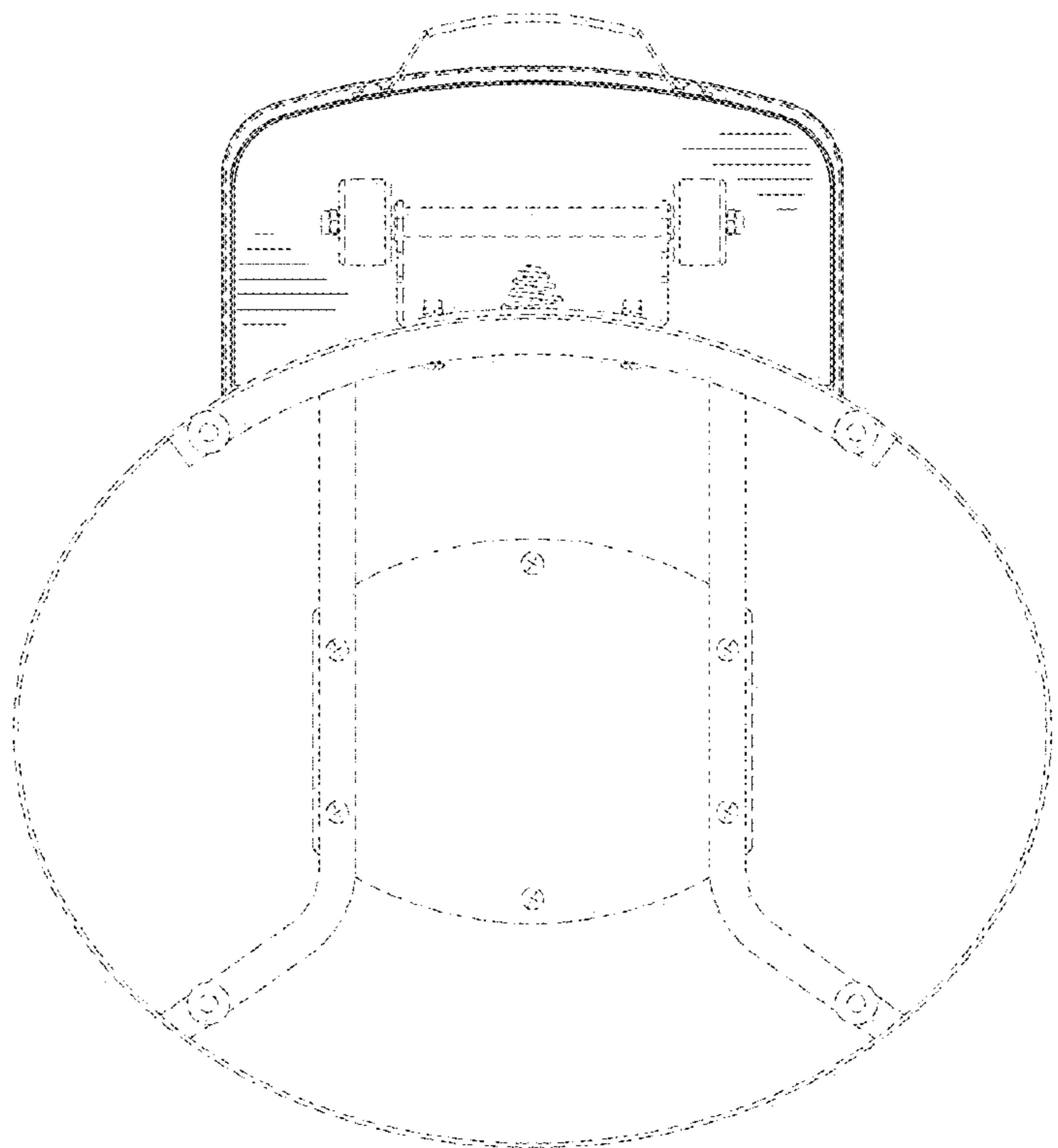
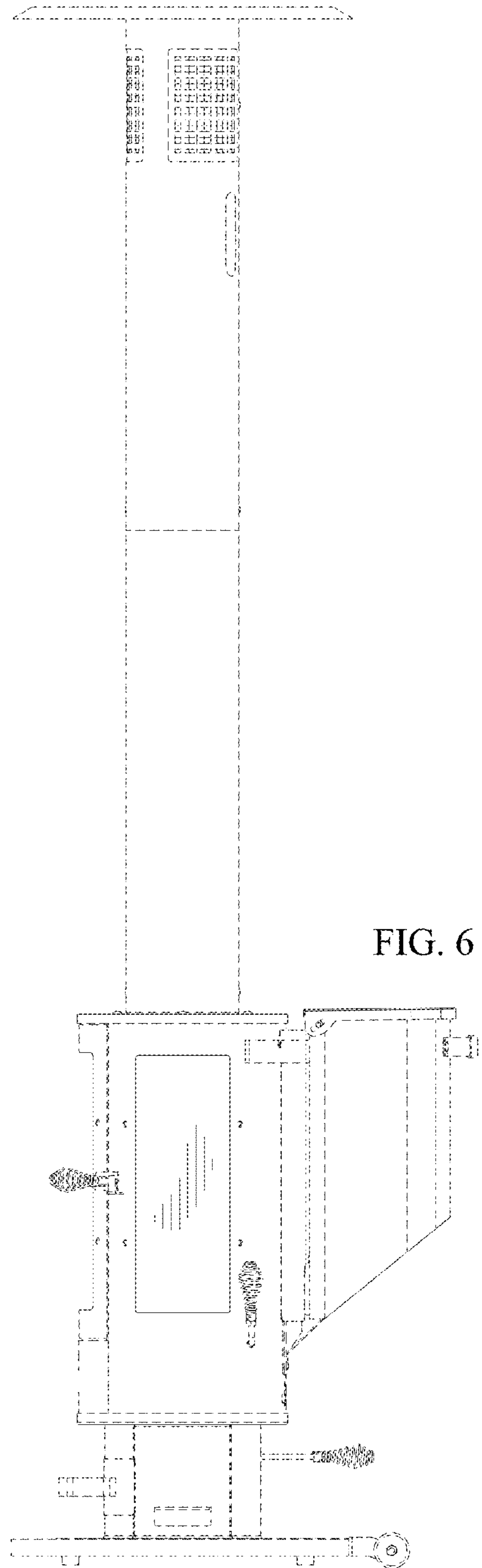
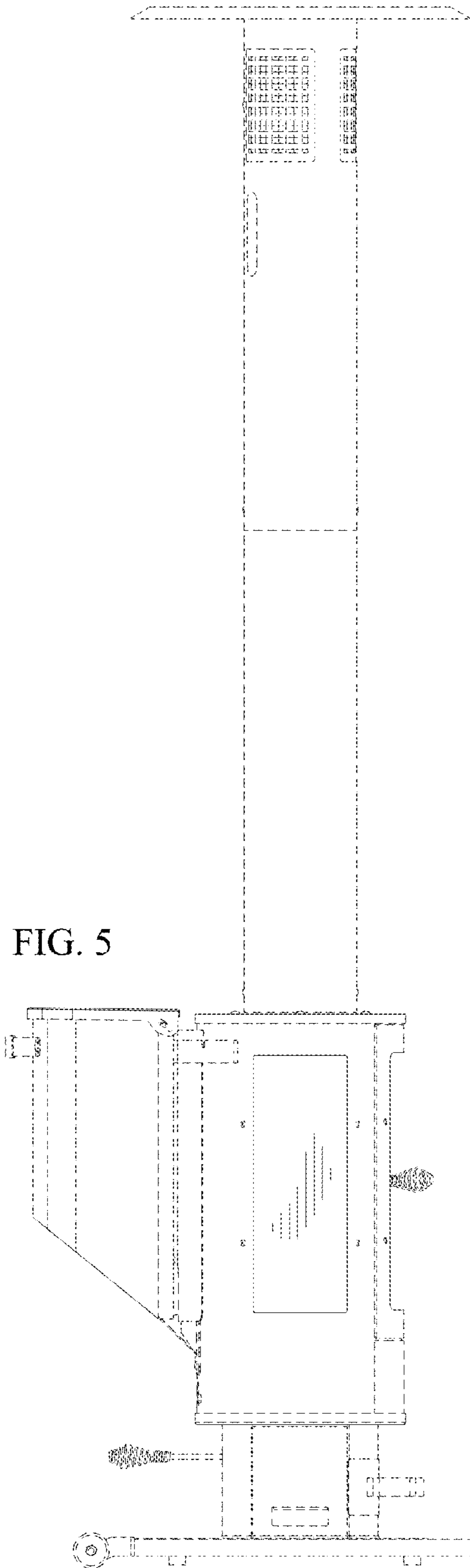


FIG. 4



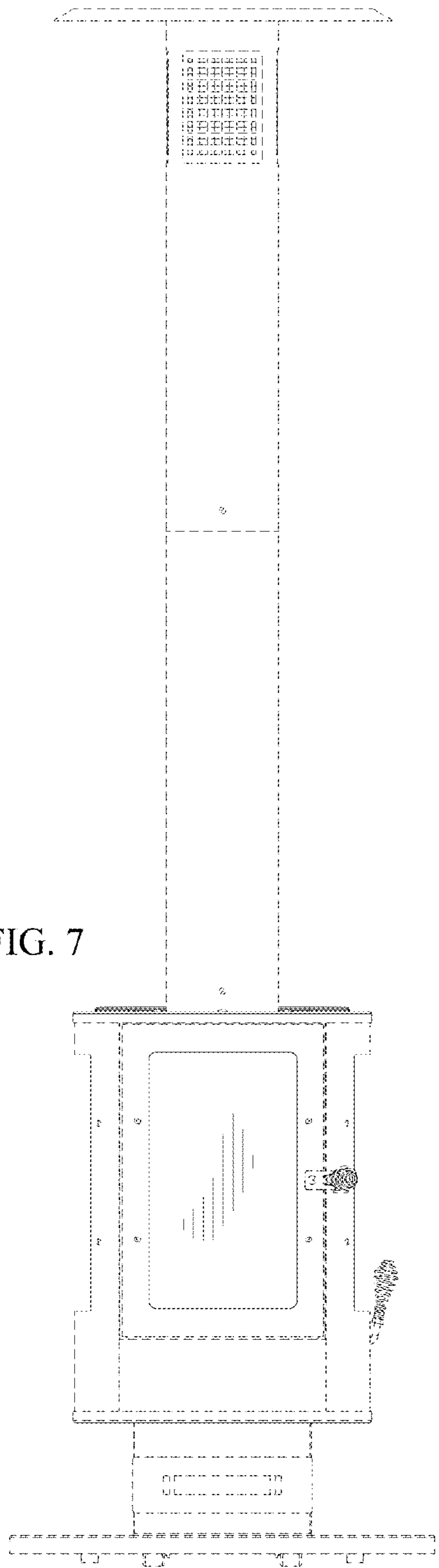


FIG. 7

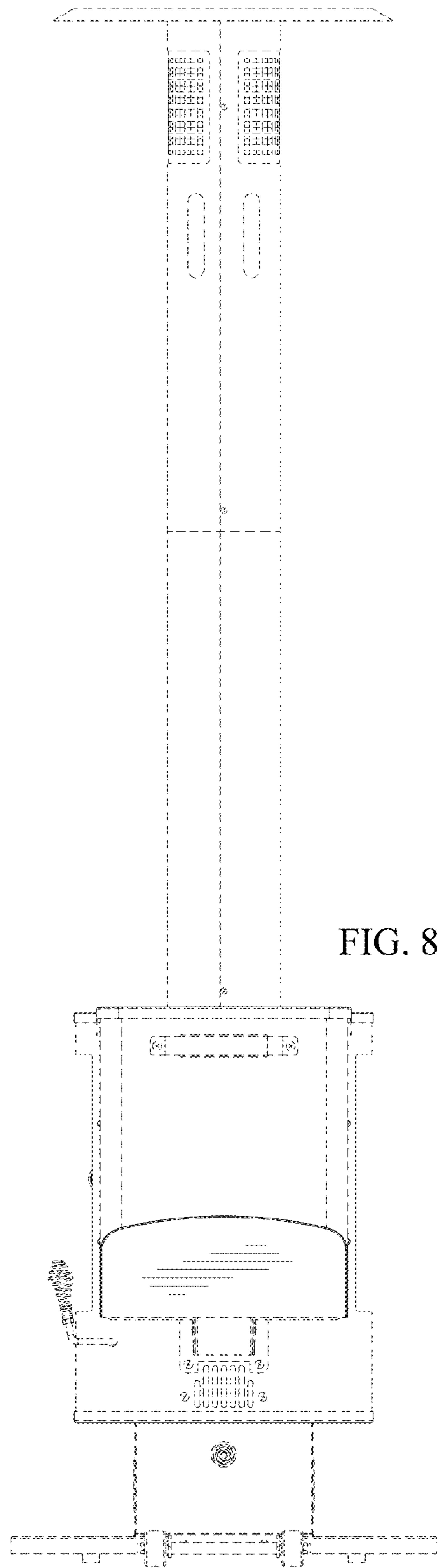


FIG. 8

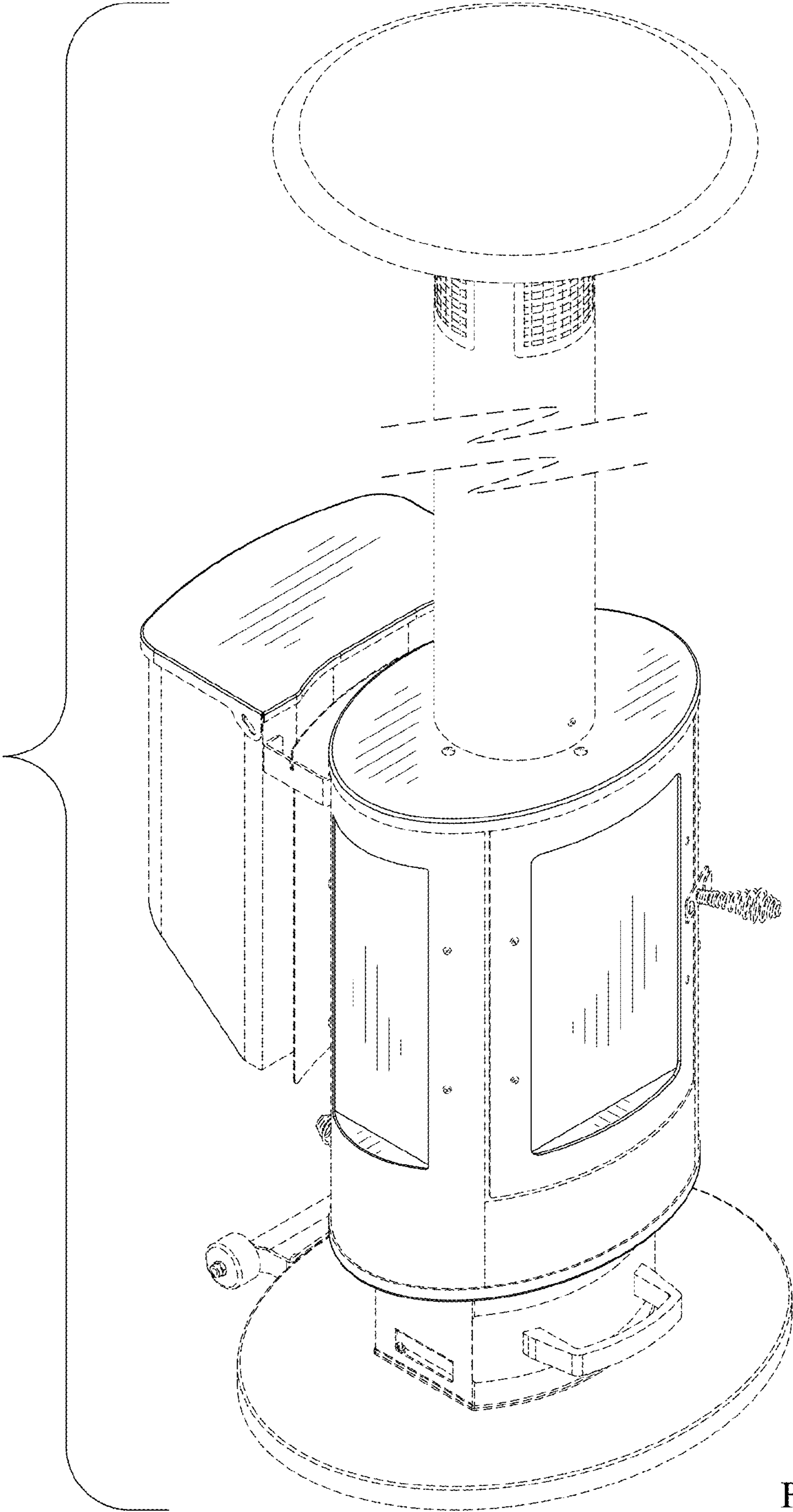


FIG. 9

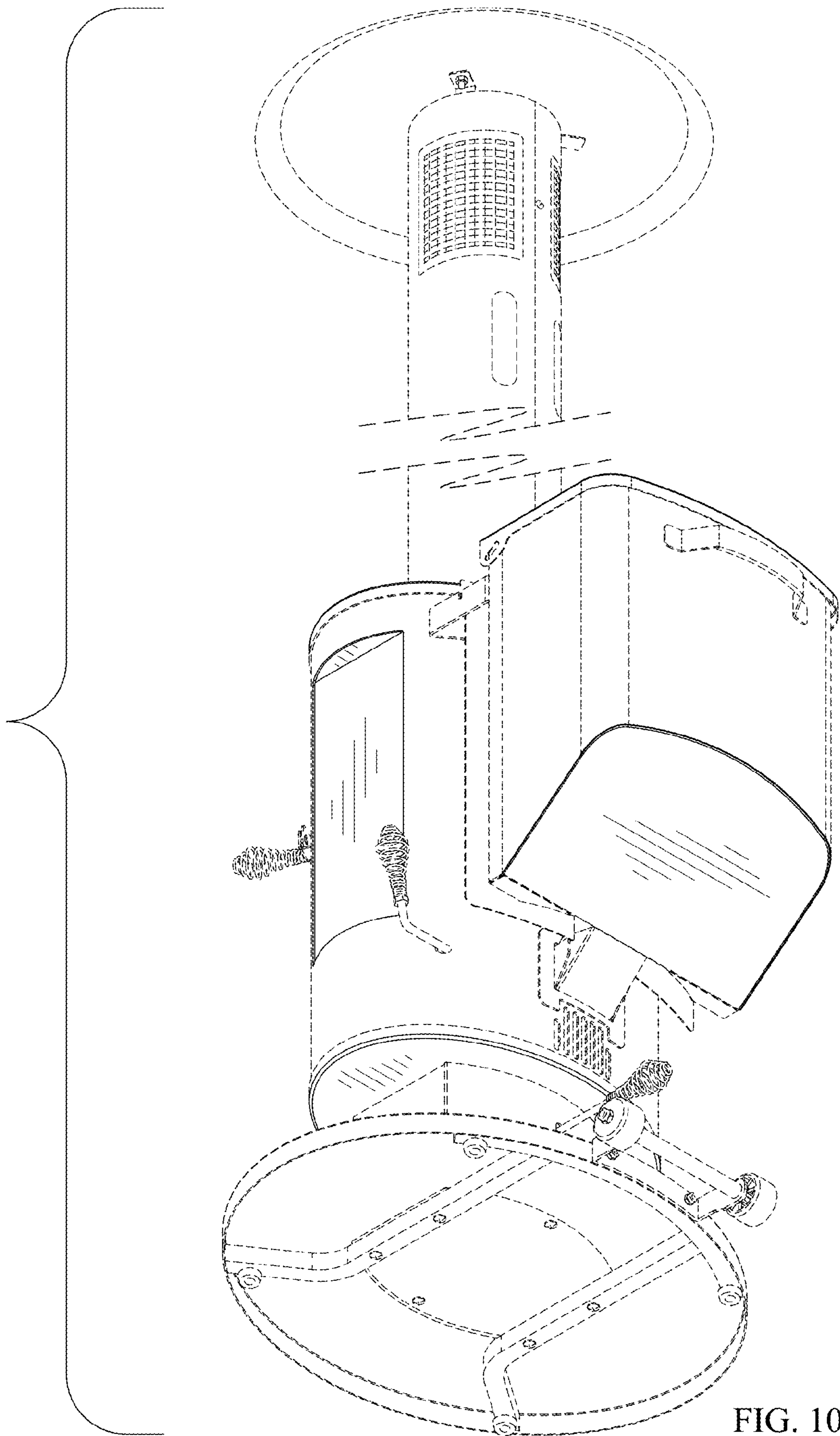


FIG. 10

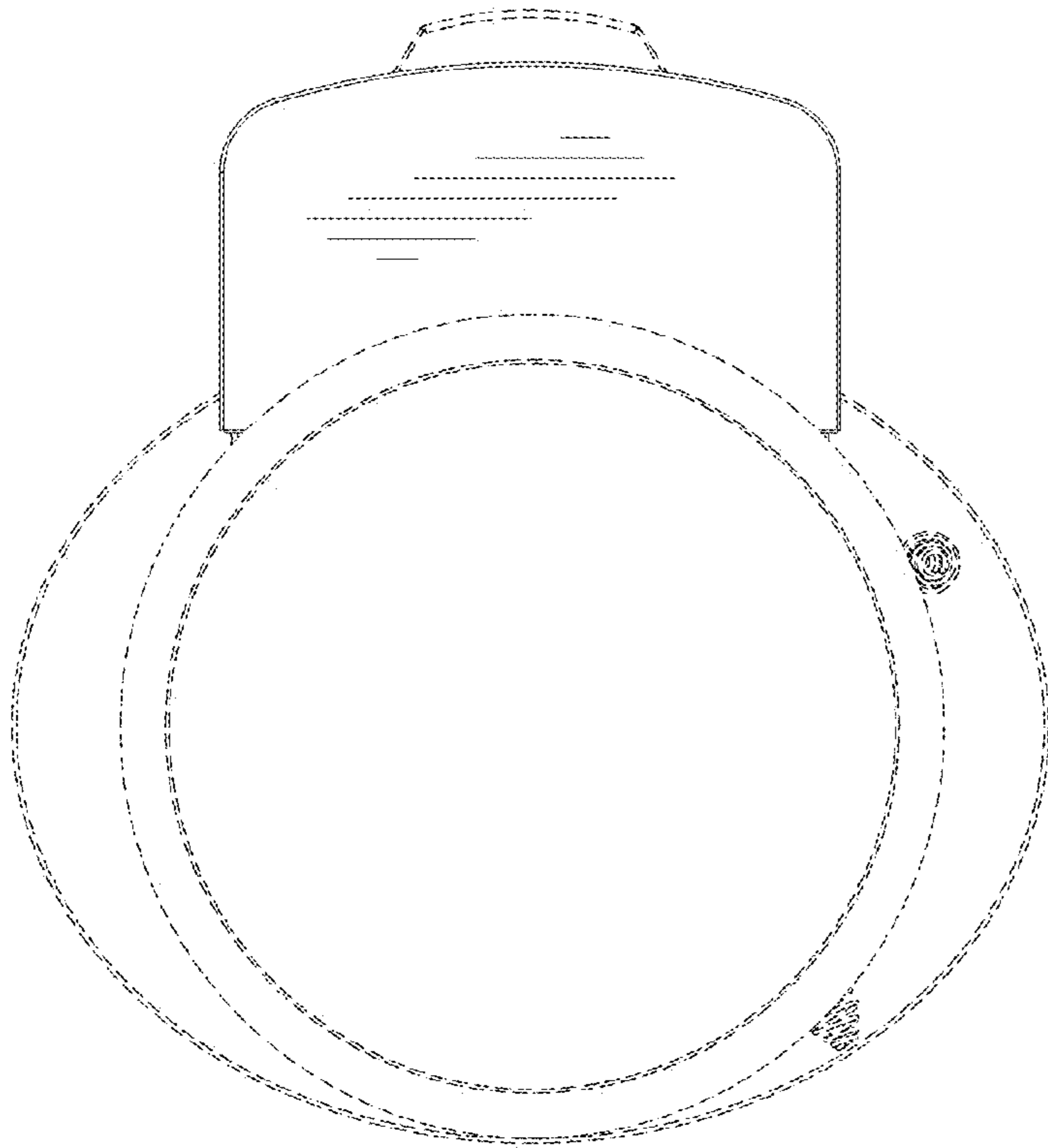


FIG. 11

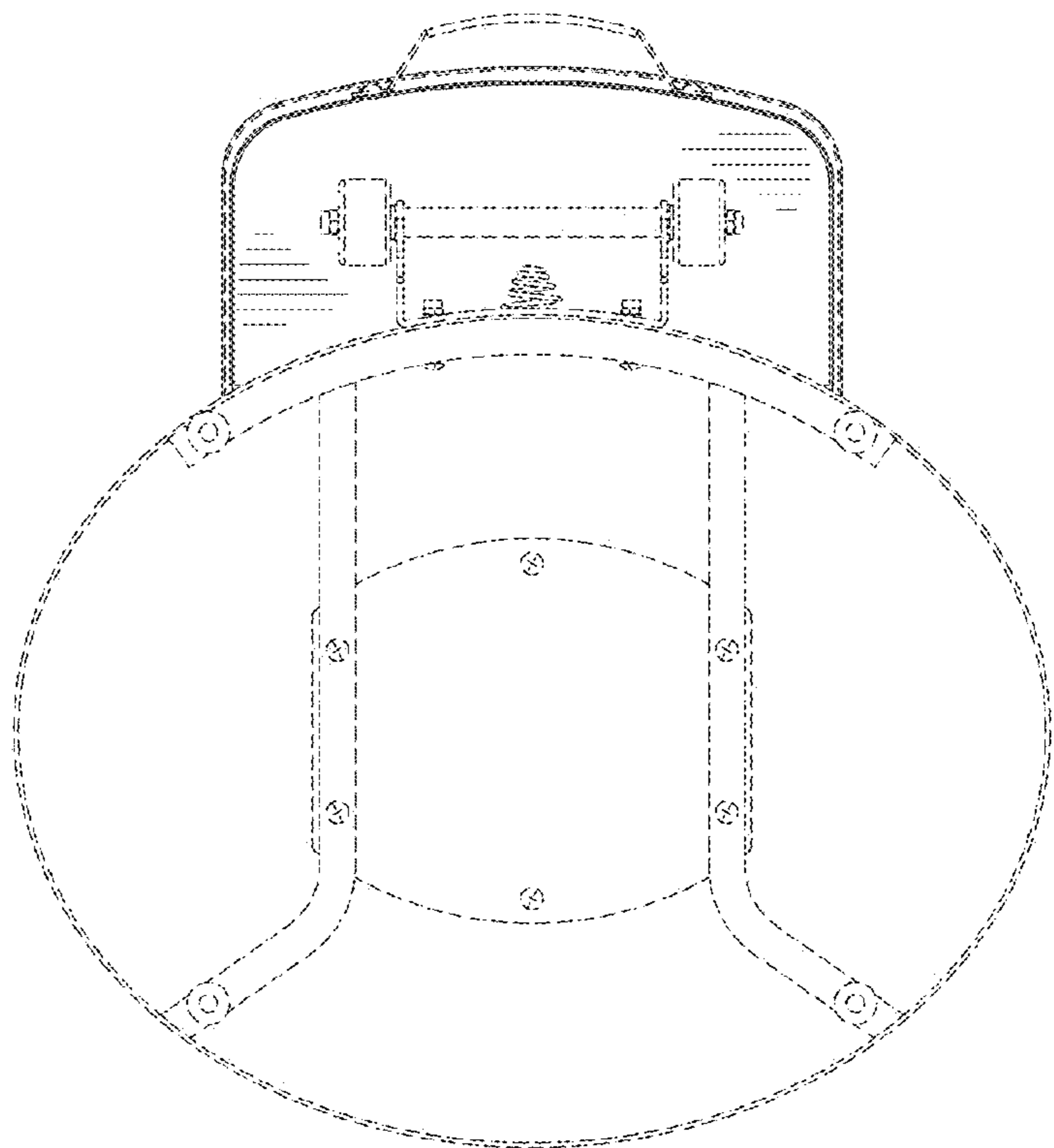


FIG. 12

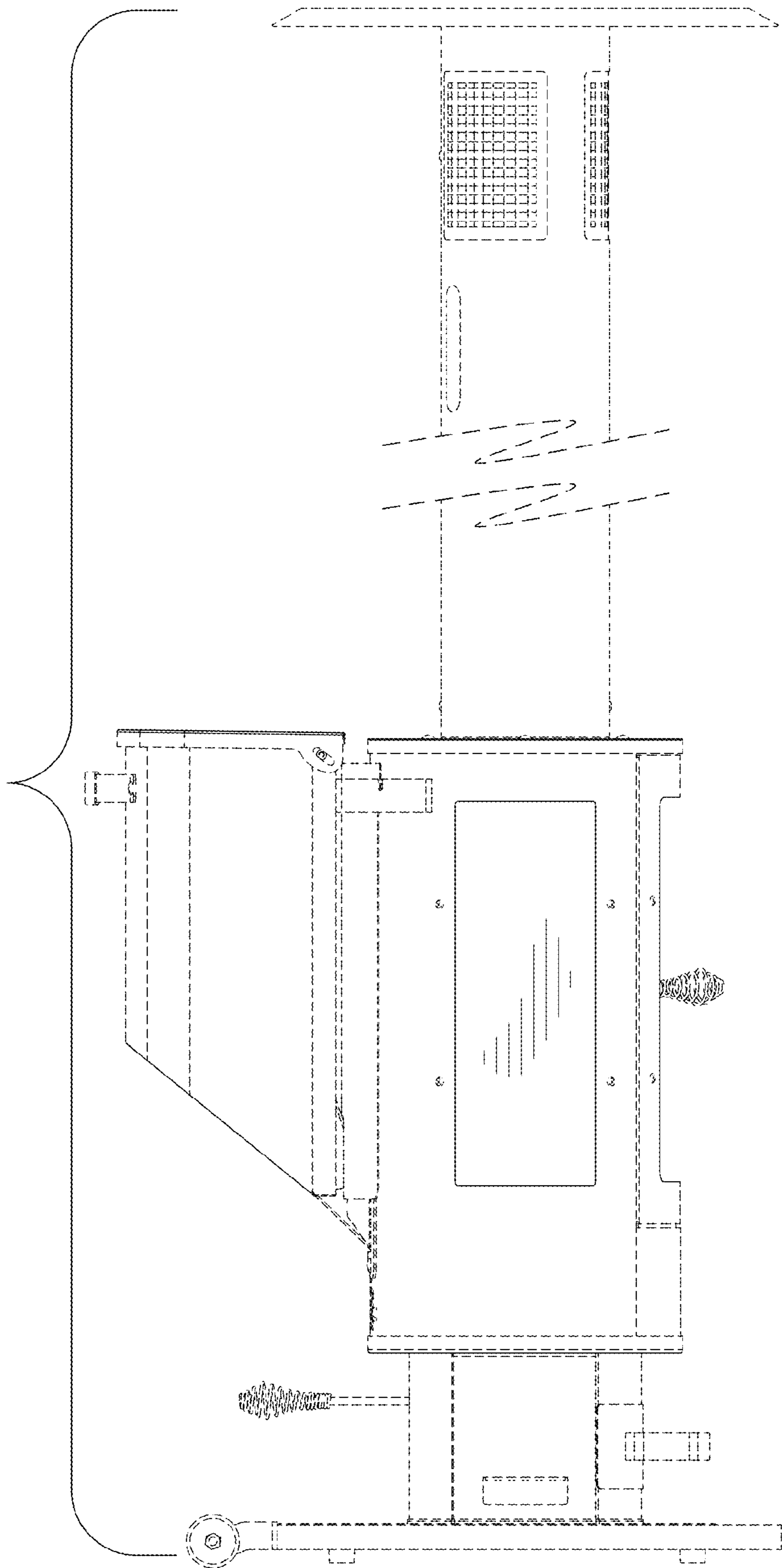


FIG. 13

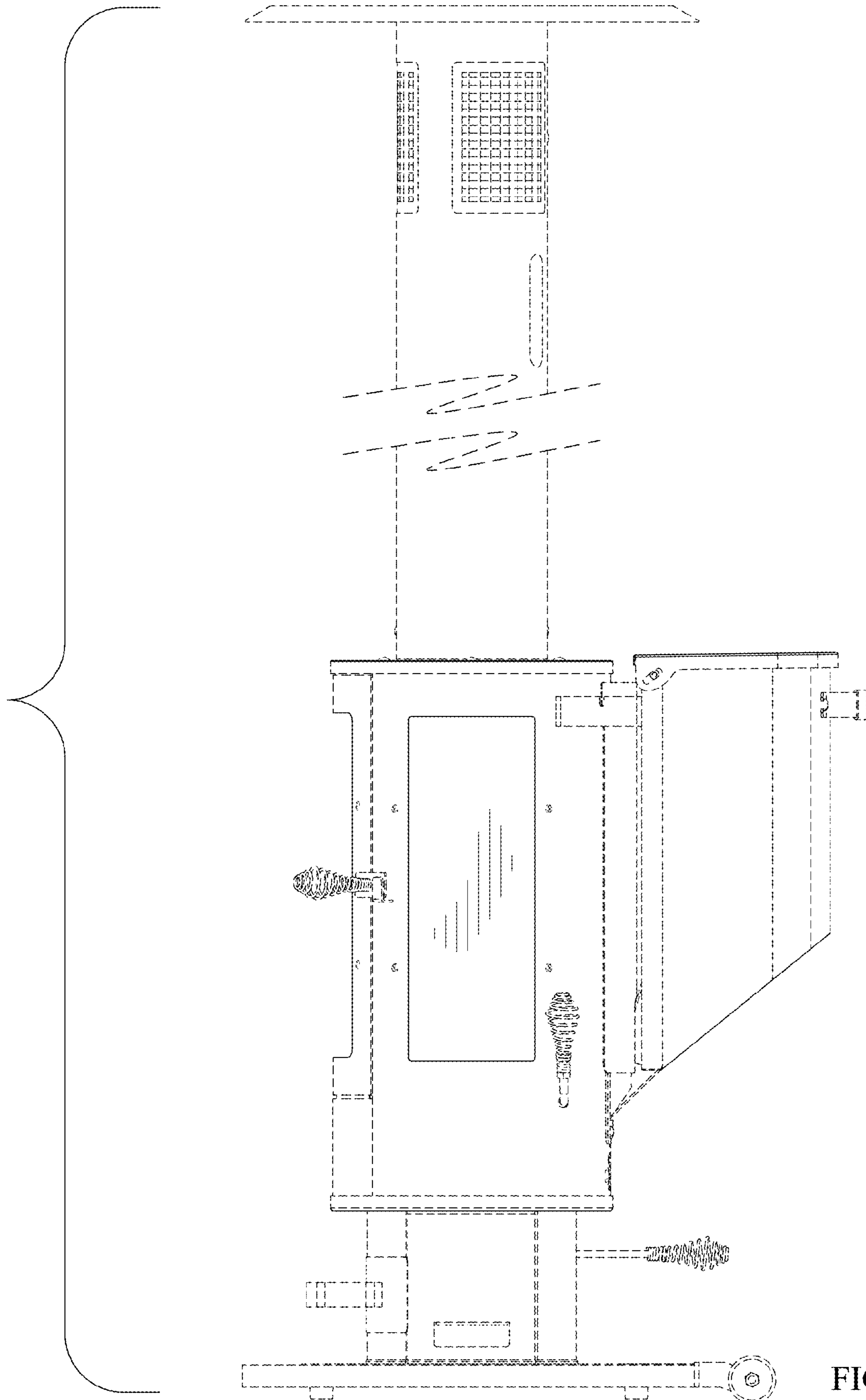


FIG. 14

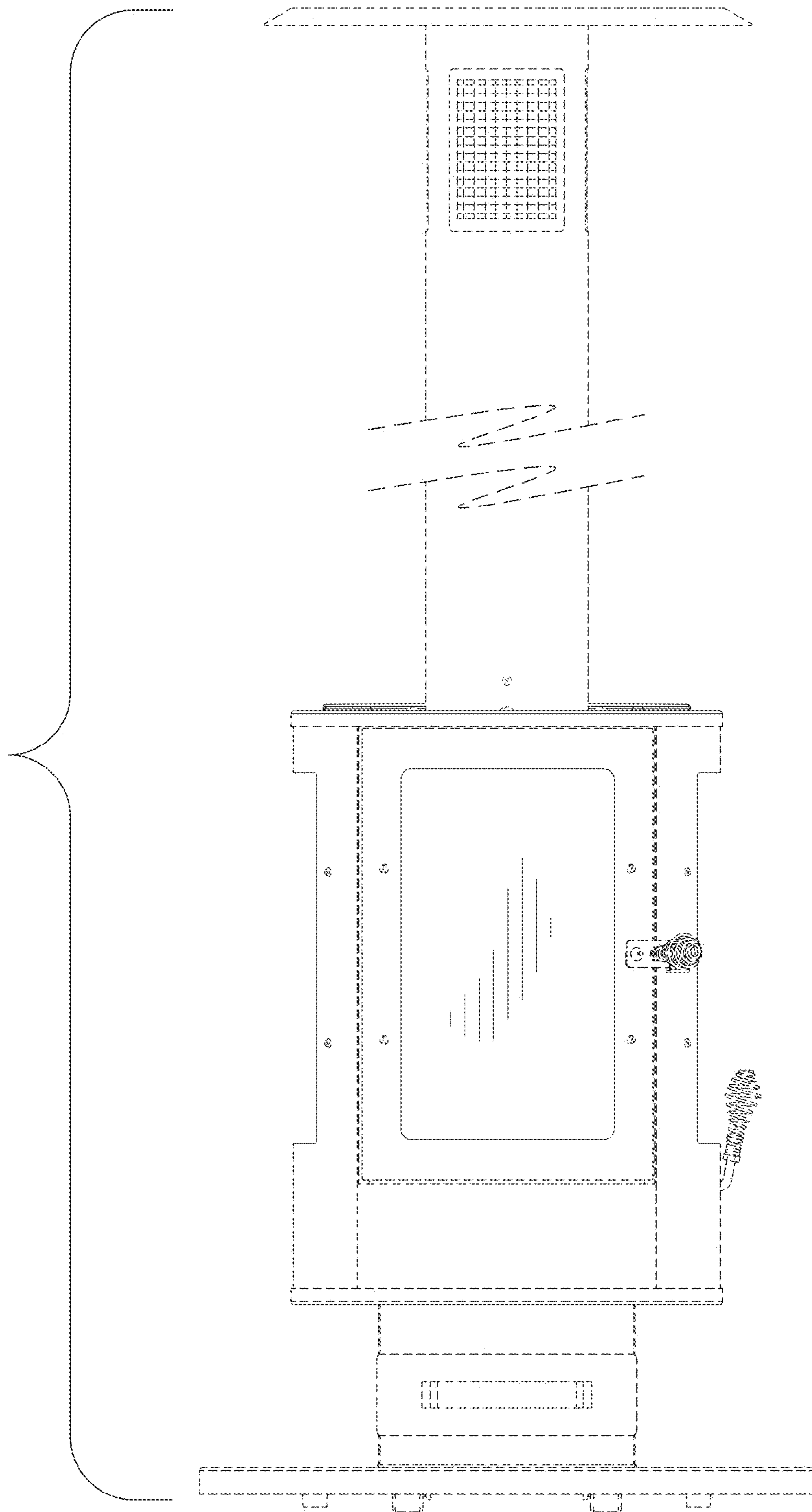


FIG. 15

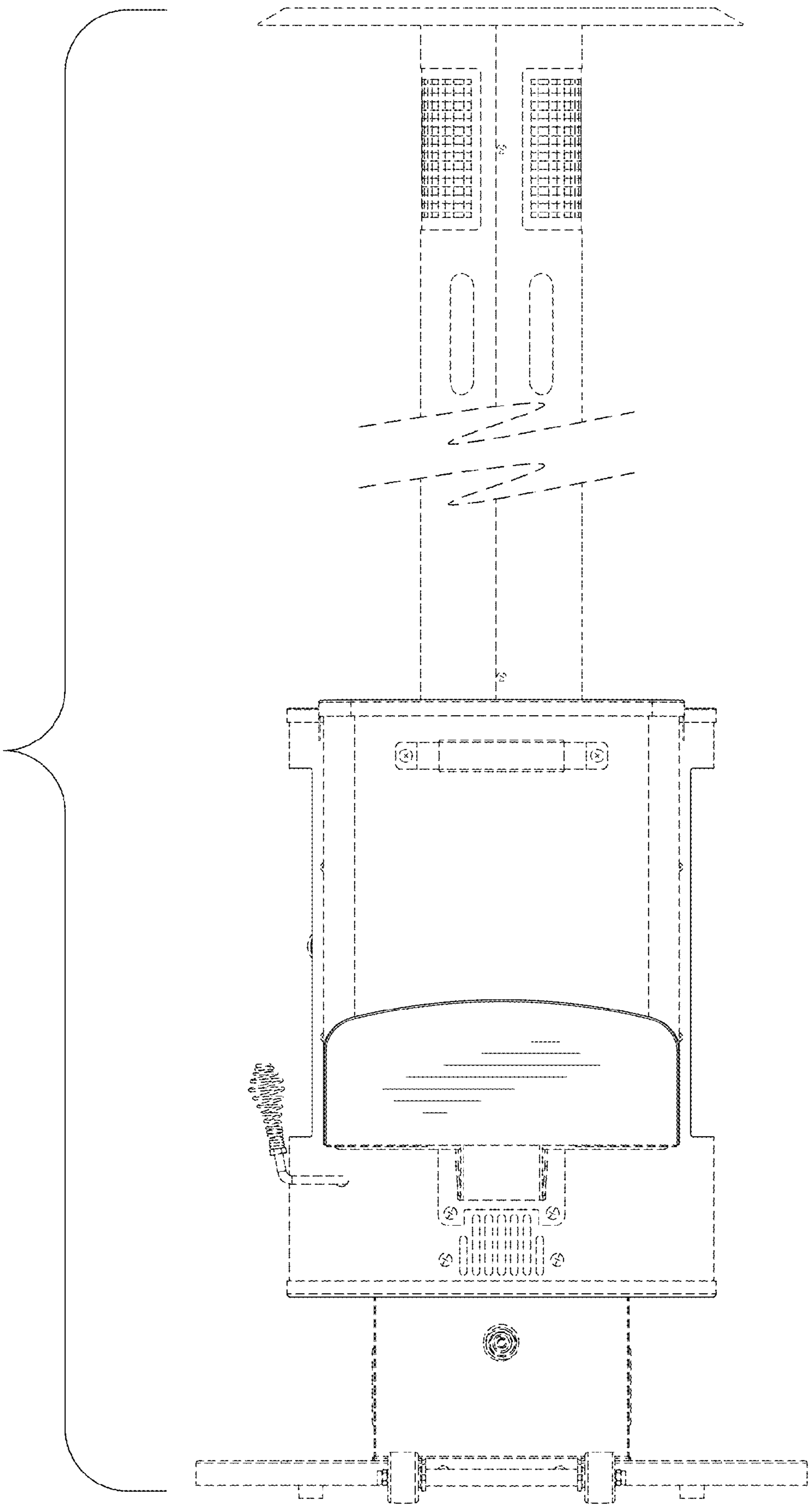


FIG. 16