



US0D1028187S

(12) **United States Design Patent** (10) **Patent No.:** **US D1,028,187 S**
Qiu (45) **Date of Patent:** **** May 21, 2024**

(54) **TOILET**

(71) Applicant: **Simin Qiu**, Guangdong (CN)

(72) Inventor: **Simin Qiu**, Guangdong (CN)

(**) Term: **15 Years**

(21) Appl. No.: **29/926,545**

(22) Filed: **Jan. 31, 2024**

(51) **LOC (14) Cl.** **23-07**

(52) **U.S. Cl.**
USPC **D23/295**

(58) **Field of Classification Search**
USPC D23/295–303, 309, 311–313
CPC A47K 11/02; A47K 11/026; A47K 11/00;
A47K 13/00; E03D 11/18; E03D 5/10;
E03D 13/00

See application file for complete search history.

(56) **References Cited**

U.S. PATENT DOCUMENTS

D275,599 S *	9/1984	Enthoven	D23/300
D343,892 S *	2/1994	Chen	D23/301
D350,820 S *	9/1994	Chiu	D23/301
D382,325 S *	8/1997	Kawamura	D23/295
D382,334 S *	8/1997	Kawamura	D23/295
D465,562 S *	11/2002	Moore	D23/295
D600,333 S *	9/2009	Liu	D23/295
D639,401 S *	6/2011	Starck	D23/295
D764,643 S	8/2016	Nakabayashi et al.		
D766,405 S *	9/2016	Flowers	D23/300
D809,636 S *	2/2018	Dong	D23/311
D844,118 S *	3/2019	Jeong	D23/295
D848,588 S *	5/2019	L’Henaff	D23/295
D858,723 S	9/2019	Cummings et al.		
D862,666 S *	10/2019	Song	D23/295
D891,592 S *	7/2020	Berschin	D23/300
D892,999 S *	8/2020	Nakabayashi	D23/311
D893,002 S	8/2020	Goad		
D901,650 S	11/2020	Uceda		

(Continued)

OTHER PUBLICATIONS

Teisvay Smart Toilet Auto Open/Close Lid Smart Bidet Toilet with Heated Seat & LED Display, Washing and Dryer Smart Toilet with

Bidet Built in, Smart Toilets for Bathroom with Remote and Touch Control, available in Amazon.com, date first available Jul. 4, 2023[online], [site visited Mar. 14, 2024], Available from the internet URL: <https://www.amazon.com/dp/B0CB4QMKBT> (Year: 2023).*

Primary Examiner — George J Ulsh

Assistant Examiner — Kathryn Elizabeth Zieno

(74) *Attorney, Agent, or Firm* — Hawaii Patent Services; Nathaniel K. Fedde; Kenton N. Fedde

(57) **CLAIM**

The ornamental design for a toilet, as shown and described.

DESCRIPTION

FIG. 1 is a front, right, top perspective view of a toilet, showing my new design;

FIG. 2 is a rear, left, bottom perspective view thereof;

FIG. 3 is a front elevational view thereof;

FIG. 4 is a rear elevational view thereof;

FIG. 5 is a left side view thereof;

FIG. 6 is a right side view thereof;

FIG. 7 is a top plan view thereof;

FIG. 8 is a bottom plan view thereof;

FIG. 9 is an enlarged view of detail 9 in FIG. 3; and,

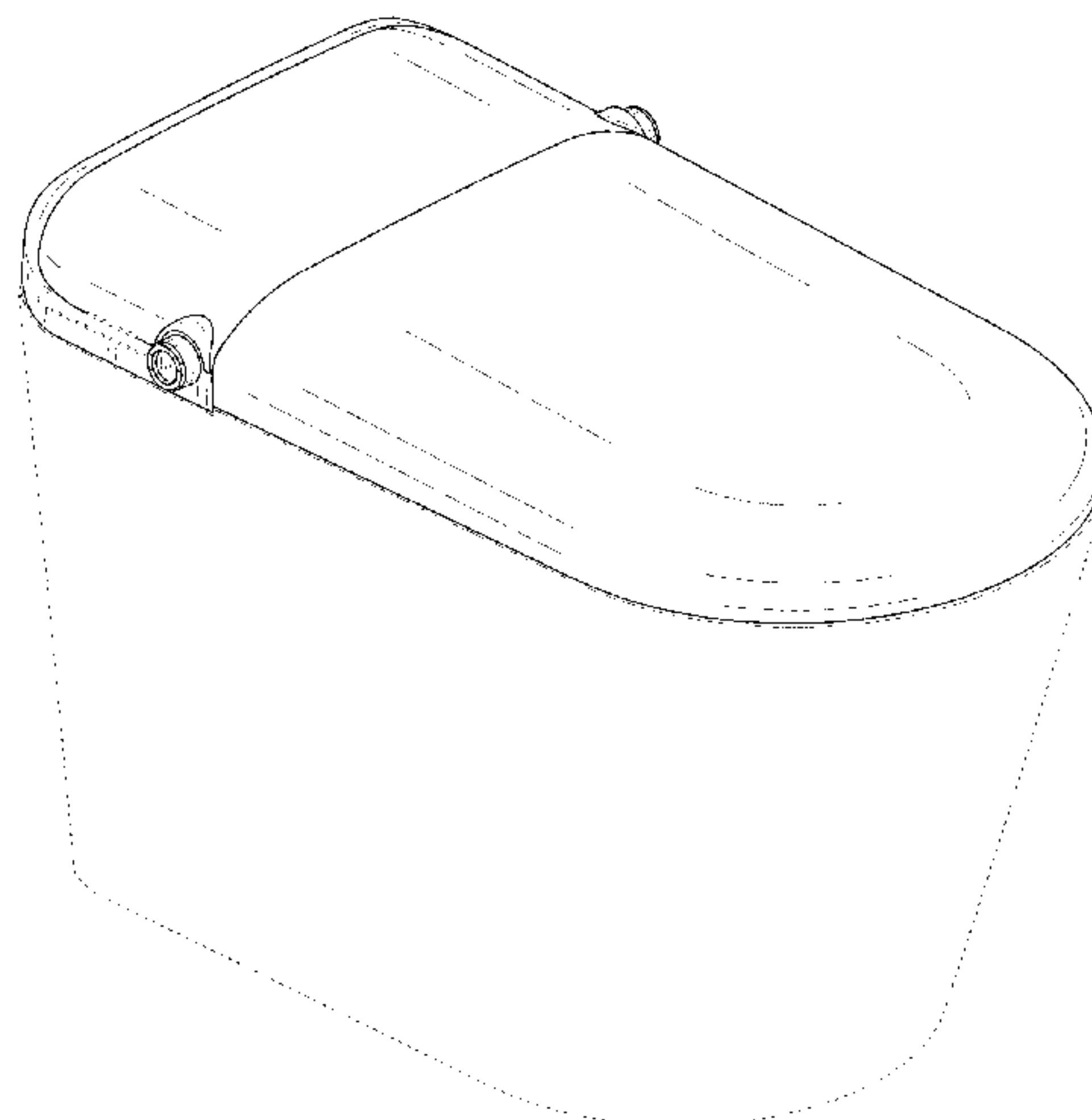
FIG. 10 is an enlarged view of detail 10 in FIG. 7.

The dashed broken lines in the figures illustrate portions of the toilet that form no part of the claimed design.

The short-short-long dashed broken lines immediately adjacent to the claimed areas in the views represent the boundaries of the design and form no part of the claimed design.

The dash-dot-dash broken lines are for notating enlarged views and form no part of the claimed design.

1 Claim, 10 Drawing Sheets



(56)

References Cited

U.S. PATENT DOCUMENTS

D911,501 S	2/2021	Goad	
D912,232 S	3/2021	Goad	
D925,710 S	7/2021	Seum et al.	
D937,995 S	12/2021	Bucher	
D937,996 S	12/2021	Ando et al.	
D938,563 S	12/2021	Booth et al.	
D951,408 S *	5/2022	Sun	D23/311
D978,299 S *	2/2023	Mellberg	D23/295
D979,720 S *	2/2023	Cho	D23/301
D1,013,844 S *	2/2024	des Horts	D23/300
D1,016,995 S *	3/2024	L'Henaff	D23/295

* cited by examiner

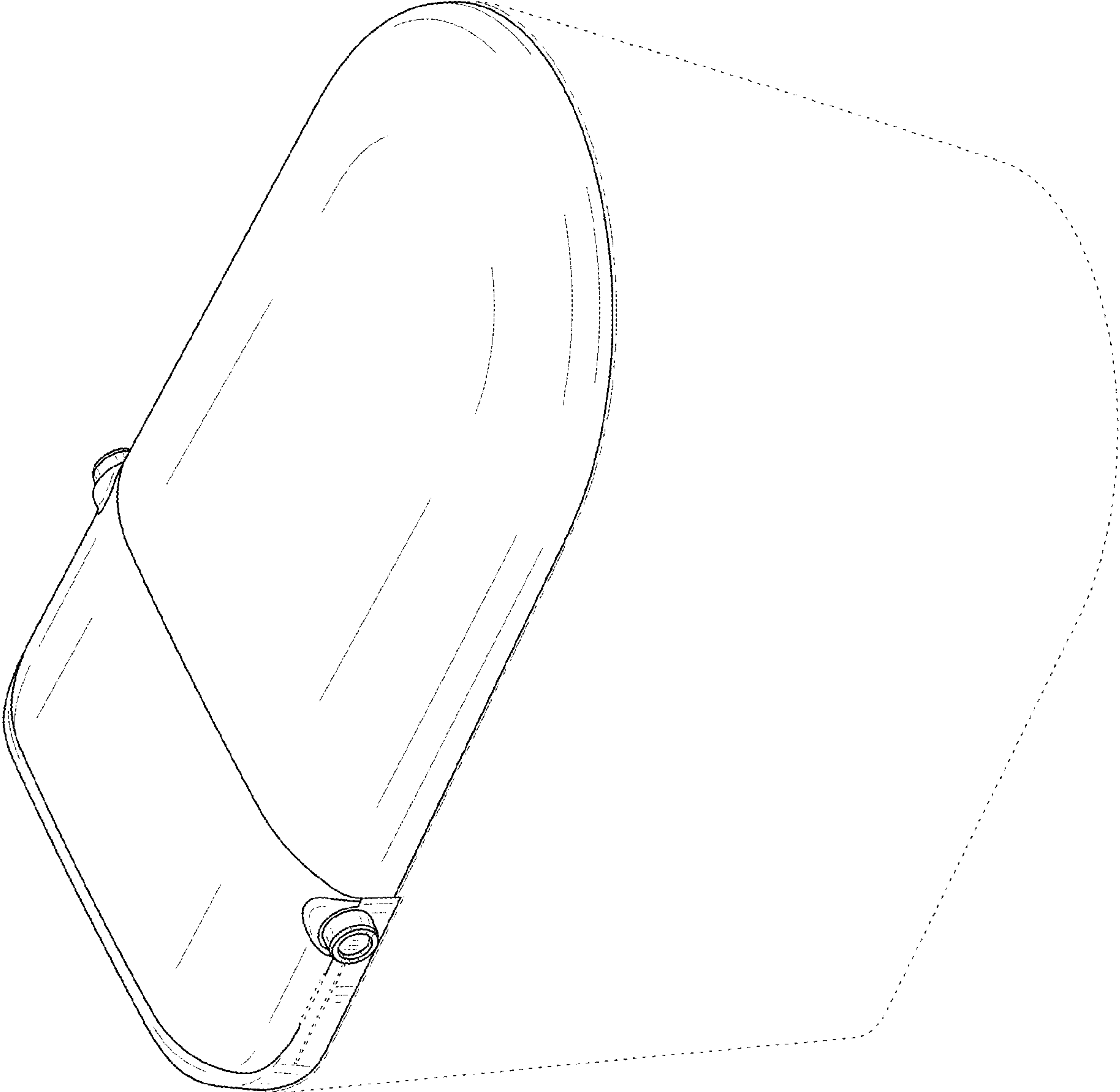
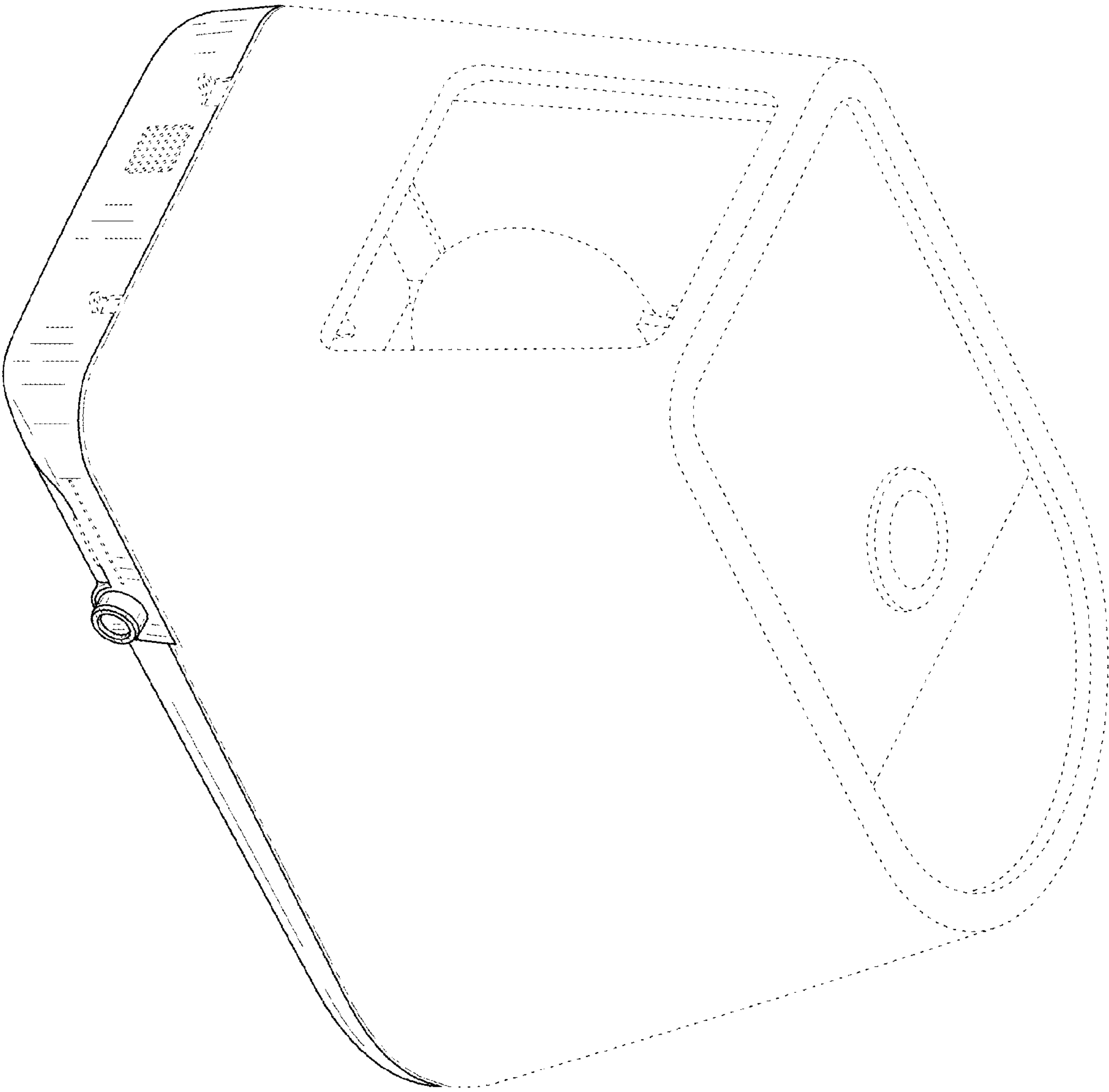


FIG. 1

FIG. 2



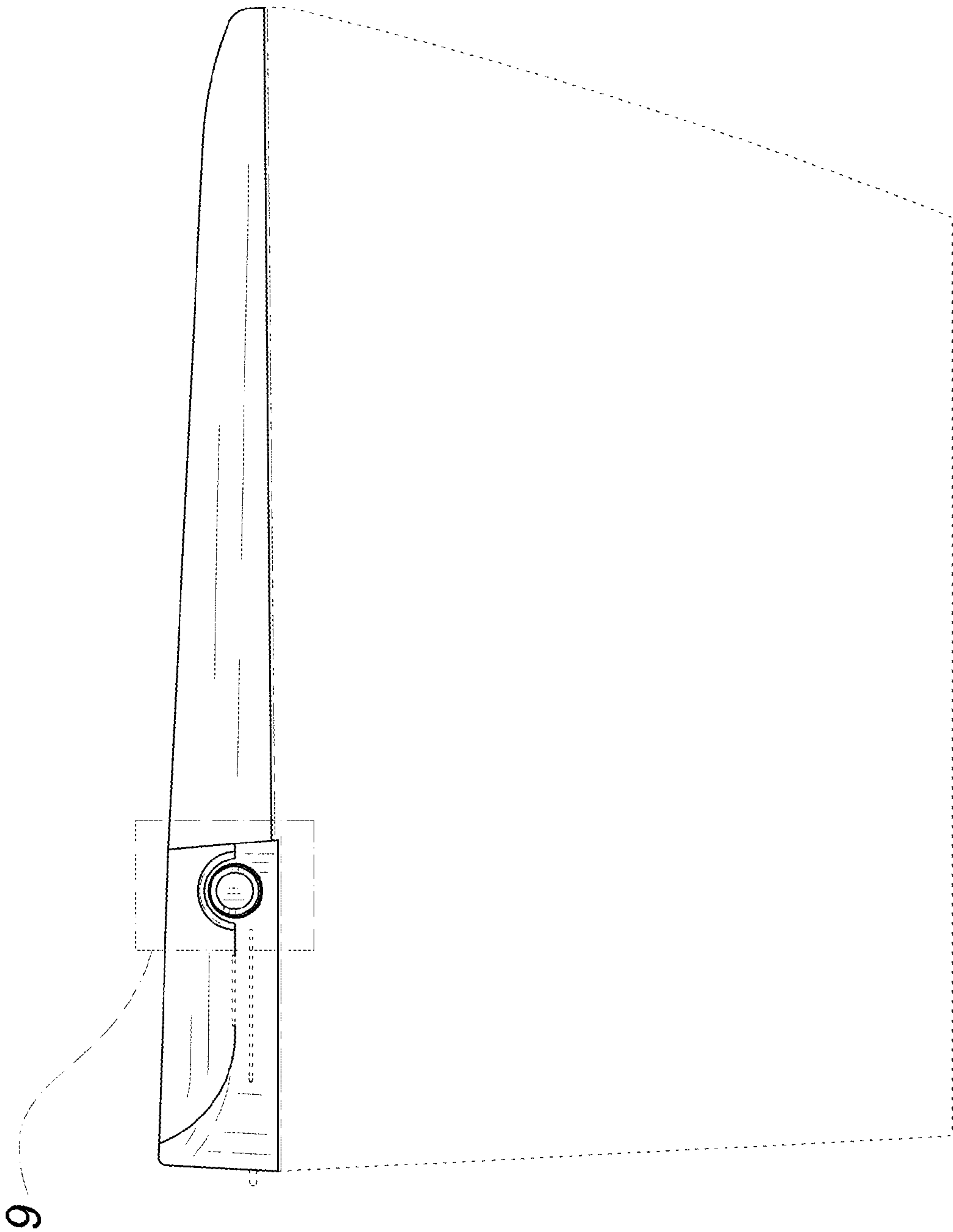


FIG. 3

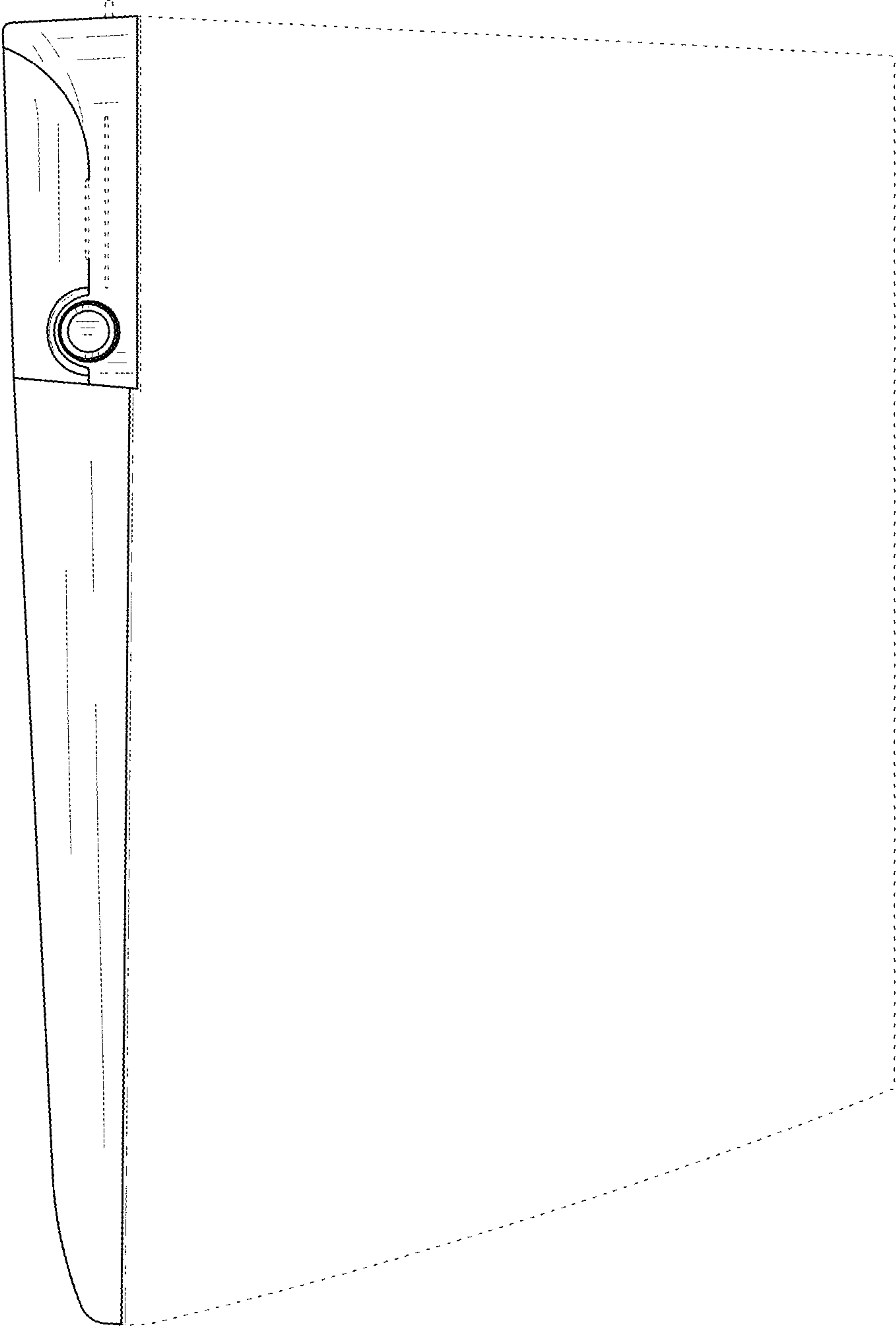


FIG.4

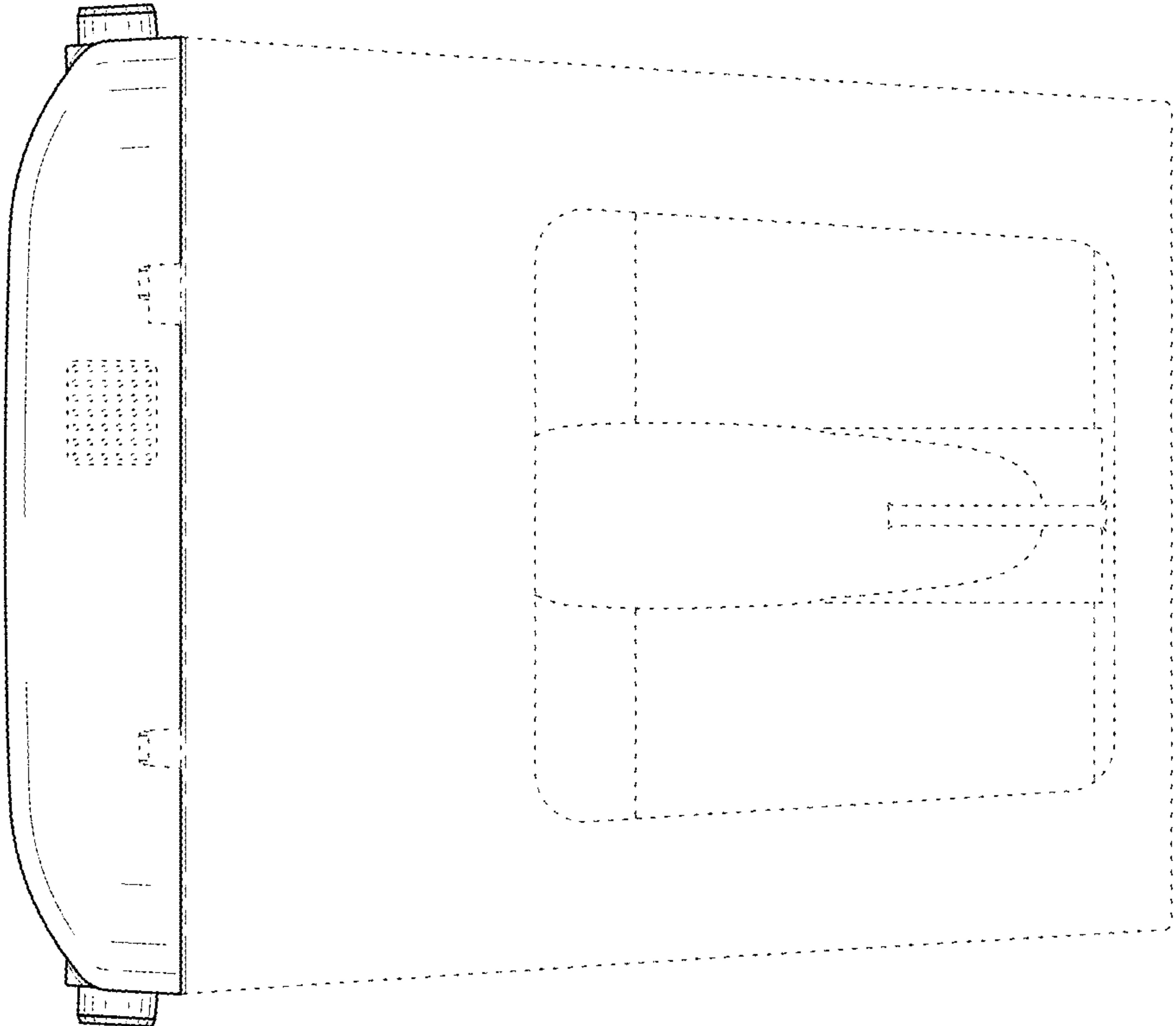


FIG. 5

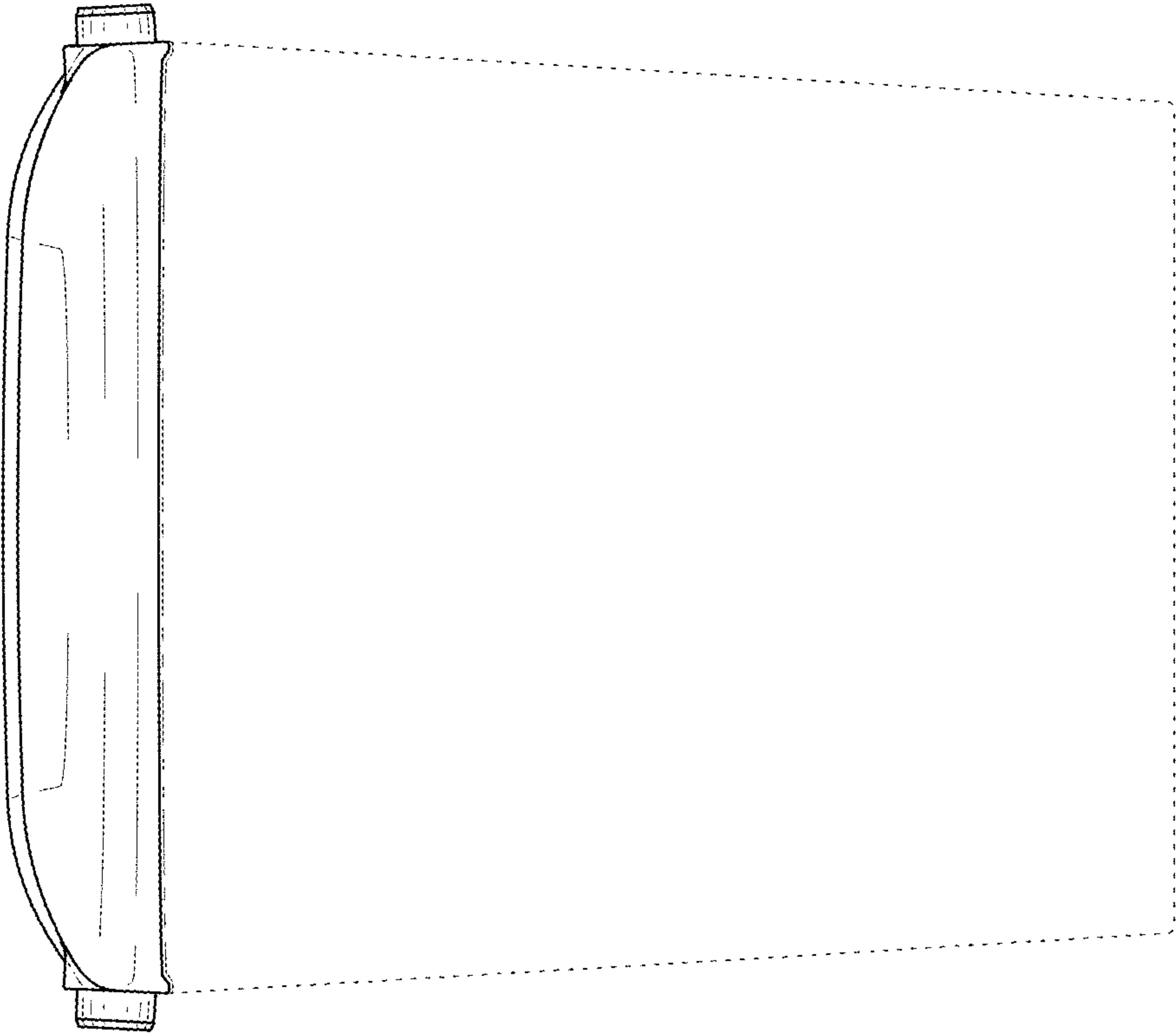


FIG. 6

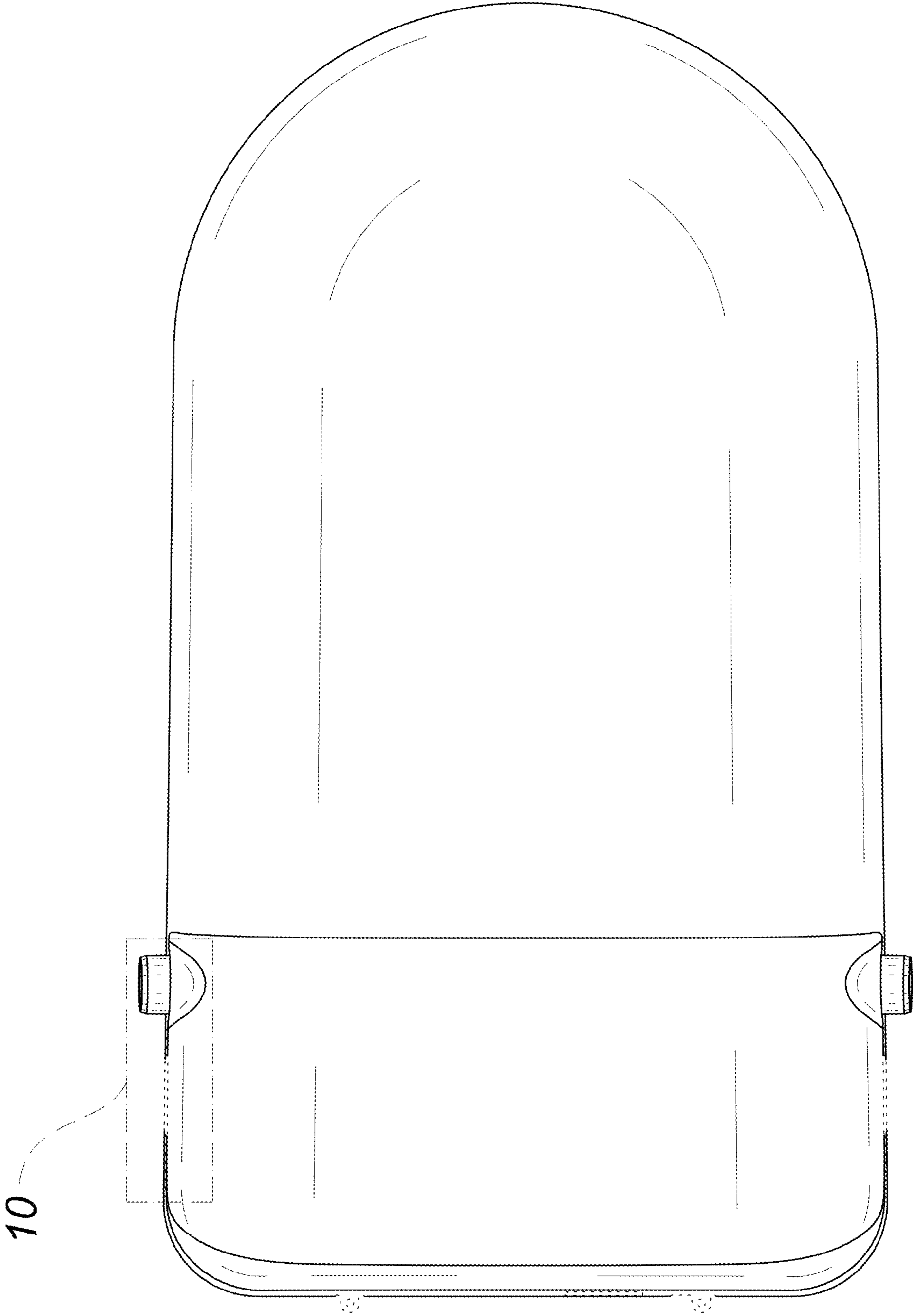


FIG. 7

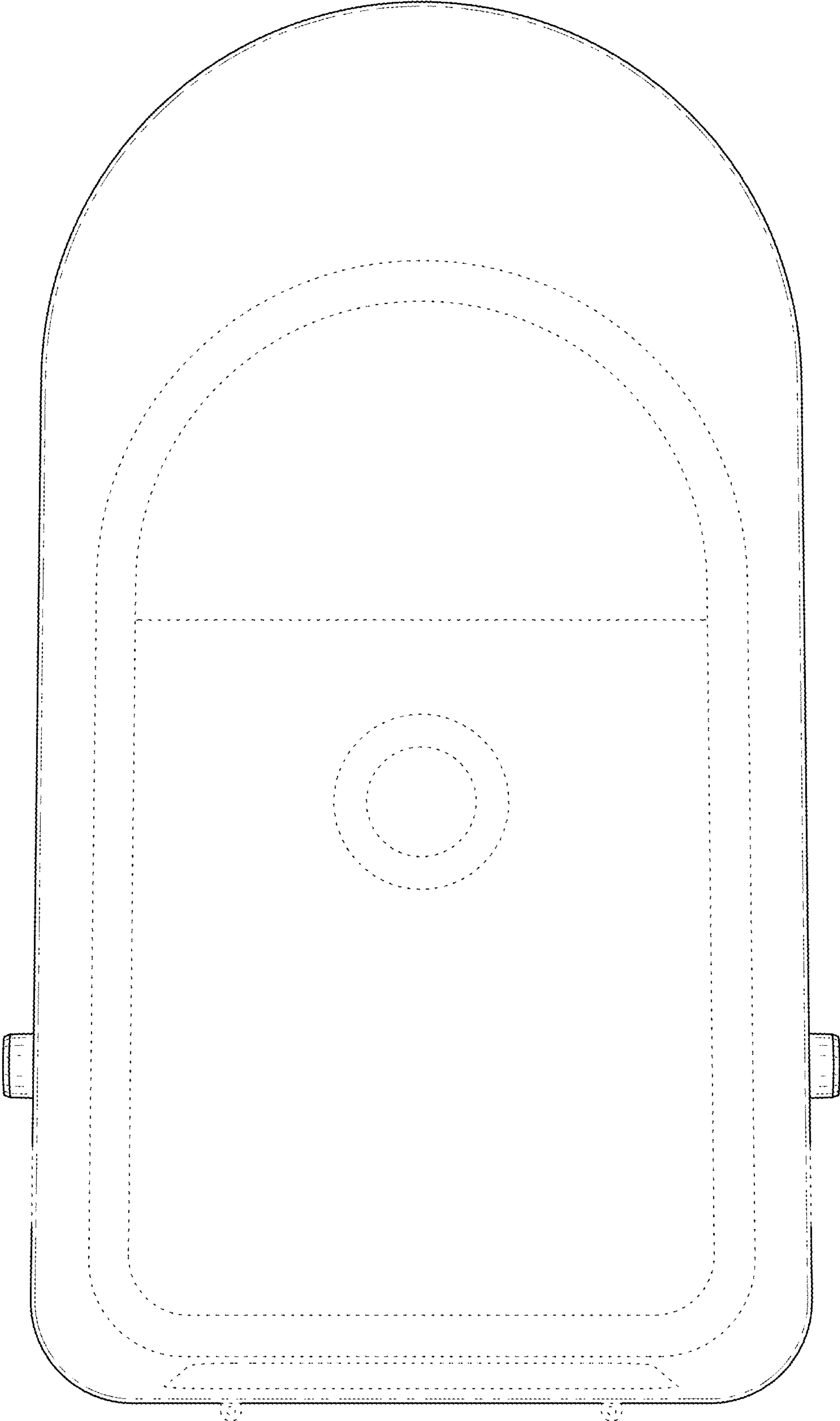


FIG. 8

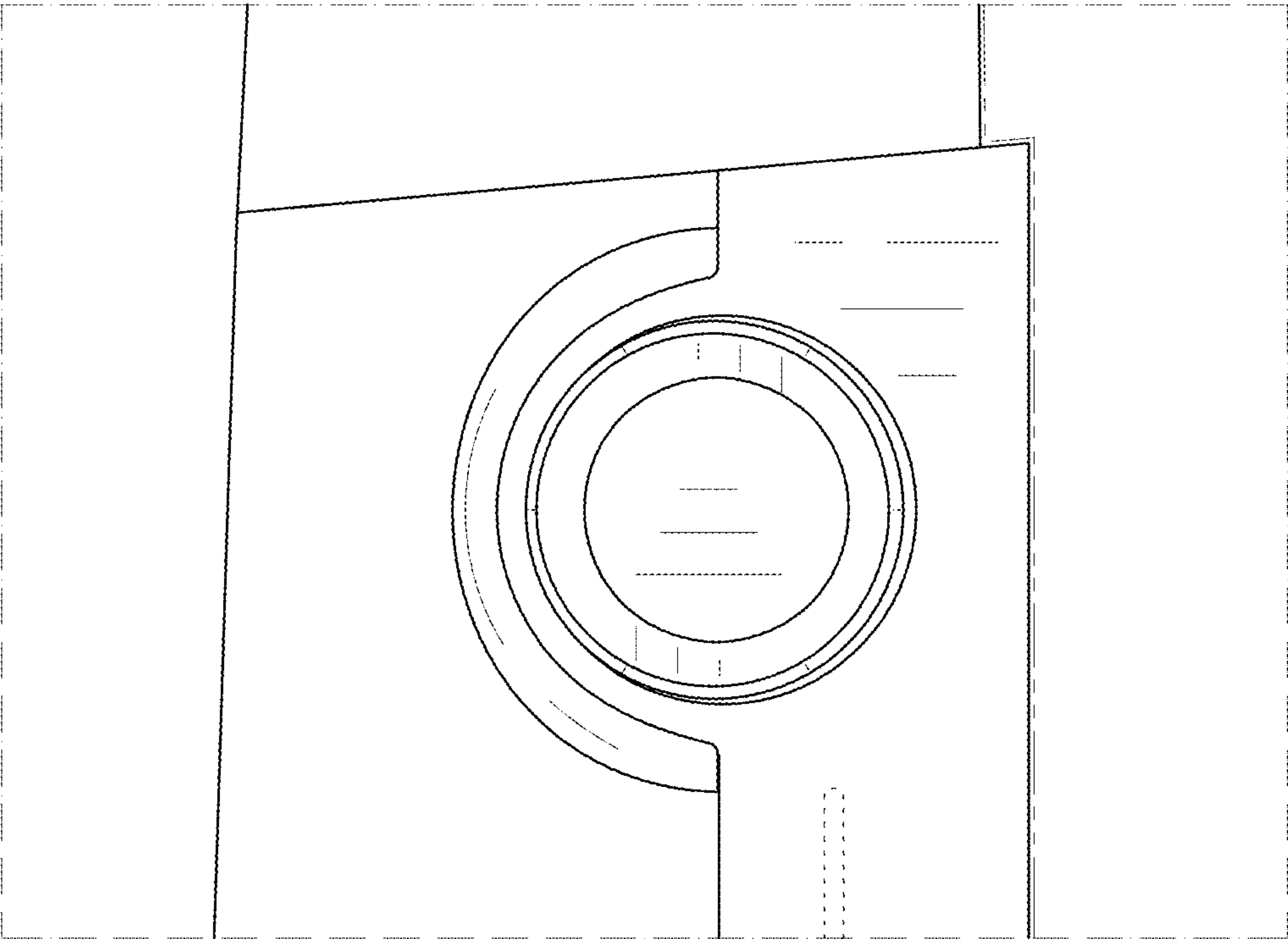


FIG. 9

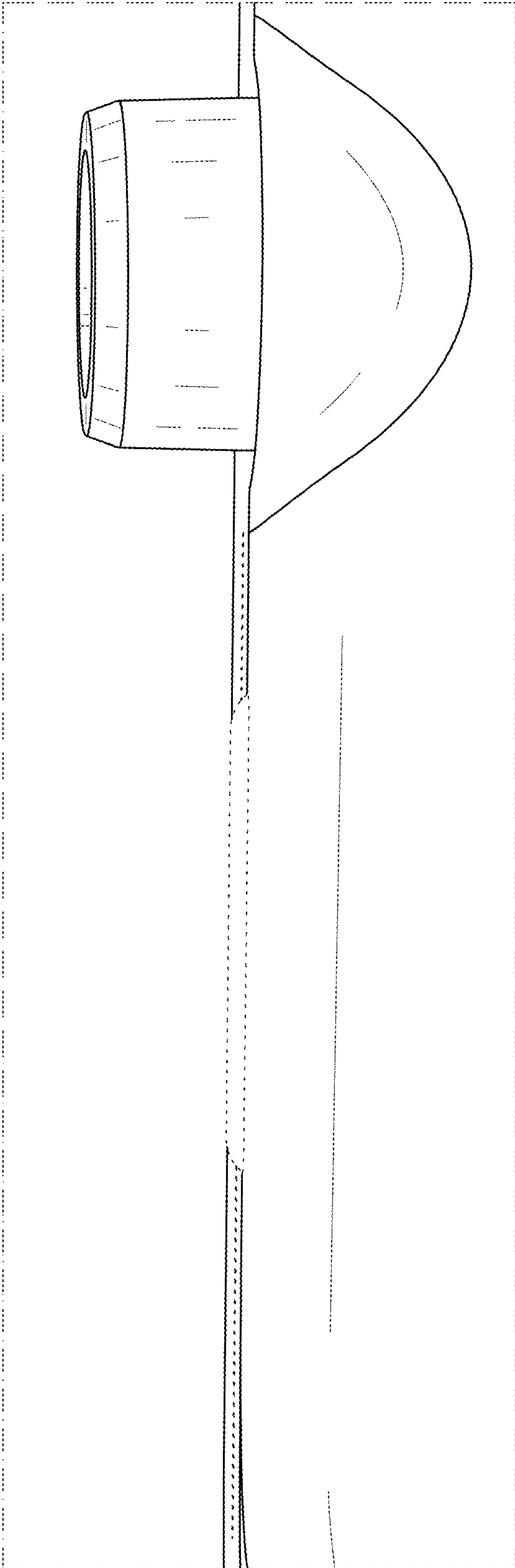


FIG. 10