

US0D1028174S

(12) **United States Design Patent** (10) **Patent No.:** **US D1,028,174 S**
Chu (45) **Date of Patent:** **** May 21, 2024**

(54) **HIGH PRESSURE CLEANING APPARATUS**

D850,582 S 6/2019 Weinberg
D857,312 S * 8/2019 Chavana, Jr. D32/17
D910,812 S 2/2021 Kangkang
(Continued)

(71) Applicant: **Zhongyuan Chu**, Qiqihar (CN)

(72) Inventor: **Zhongyuan Chu**, Qiqihar (CN)

(**) Term: **15 Years**

(21) Appl. No.: **29/928,494**

(22) Filed: **Feb. 13, 2024**

(51) **LOC (14) Cl.** **23-01**

(52) **U.S. Cl.**
USPC **D23/226**

(58) **Field of Classification Search**
USPC D23/213, 214, 215, 223, 224, 226, 229,
D23/230
CPC A61H 9/0021; A61H 33/00; B05B 1/00;
B05B 1/14; B05B 1/185; B05B 1/08;
B05B 1/02; B05B 1/26; B05B 12/002;
B05B 1/18; B05B 9/01
See application file for complete search history.

(56) **References Cited**

U.S. PATENT DOCUMENTS

D100,619 S	8/1936	Cunningham	
D291,113 S *	7/1987	Bauer	D23/226
D314,649 S	2/1991	Campbell, Sr. et al.	
D498,817 S *	11/2004	Amaduzzi	D23/226
D501,536 S *	2/2005	Amaduzzi	D23/226
D518,873 S *	4/2006	Carpanese	D23/223
D555,767 S *	11/2007	Carpanese	D23/226
D571,434 S *	6/2008	Renner	D23/223
D573,691 S *	7/2008	Busschaert	D23/226
D582,513 S *	12/2008	Zingoni	D23/226
D636,846 S	4/2011	Shoemaker	
D642,660 S	8/2011	Sichien et al.	
D729,902 S *	5/2015	Hollinger	D23/223
D753,265 S *	4/2016	Burchard	D23/226
D768,263 S *	10/2016	Laber	D23/226
D803,984 S	11/2017	Tschopp et al.	

OTHER PUBLICATIONS

Lovfash Electric Pressure Washer, Jul. 4, 2022, amazon.ca, Mar. 5, 2024, URL: <https://www.amazon.ca/Electric-Pressure-Cordless-Portable-Operated/dp/B0B5R91CNS?th=1> (Year: 2022).*
(Continued)

Primary Examiner — Keith J Wilson
(74) *Attorney, Agent, or Firm* — Jose Cherson Weissbrot

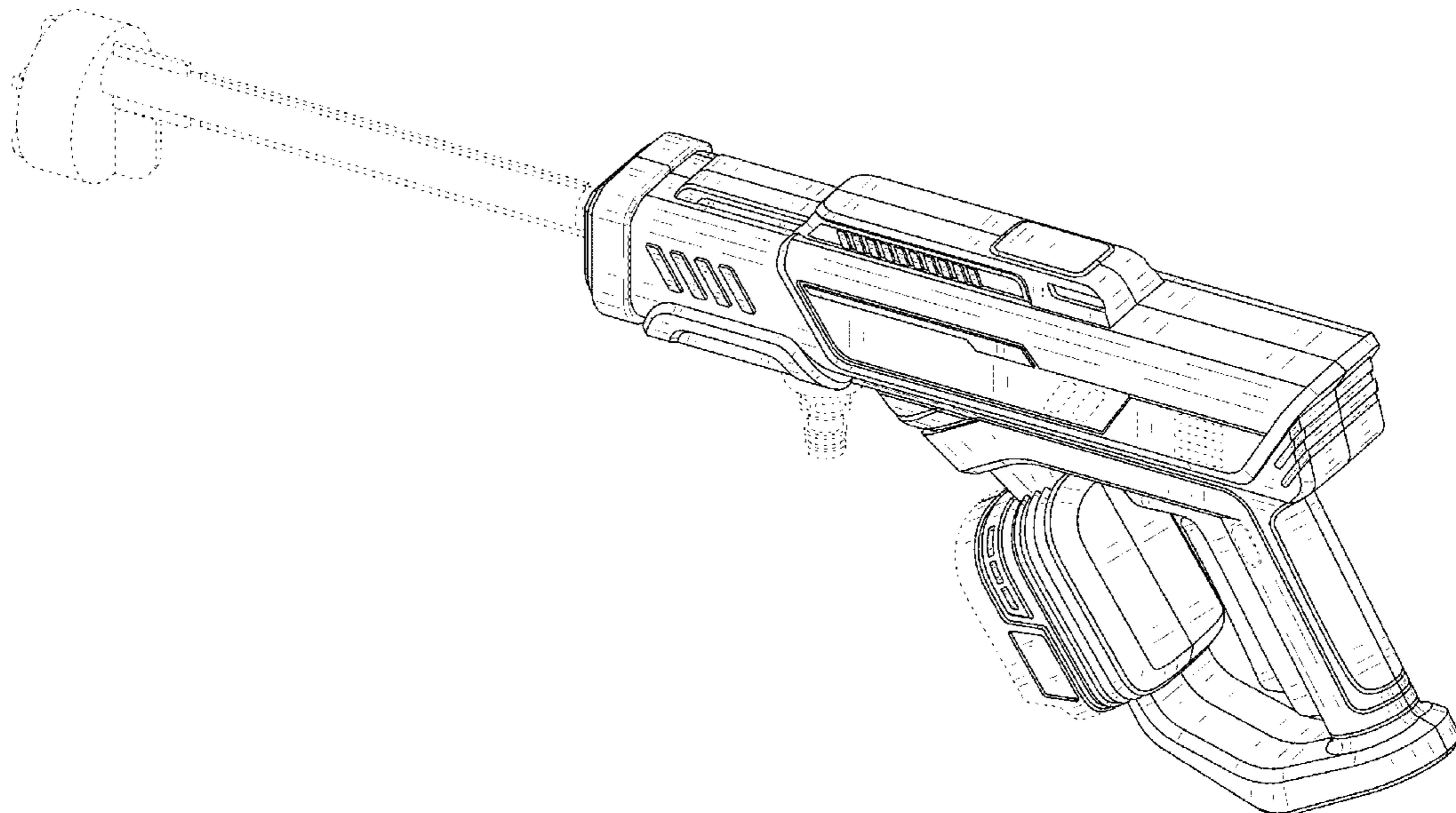
(57) **CLAIM**

The ornamental design for a high pressure cleaning apparatus, as shown and described.

DESCRIPTION

FIG. 1 is a front, right, top perspective view of a high pressure cleaning apparatus, showing my new design; FIG. 2 is a rear, light, bottom perspective view thereof; FIG. 3 is a front elevational view thereof; FIG. 4 is a rear elevational view thereof; FIG. 5 is a left side view thereof; FIG. 6 is a right side view thereof; FIG. 7 is a top elevational view thereof; FIG. 8 is a bottom elevational view thereof; FIG. 9 is an enlarged view of detail 9 in FIG. 7; FIG. 10 is an enlarged view of detail 10 in FIG. 7; FIG. 11 is an enlarged view of detail 11 in FIG. 7; FIG. 12 is an enlarged view of detail 12 in FIG. 8; and, FIG. 13 is an enlarged view of detail 13 in FIG. 8. The dashed broken lines in the figures illustrate portions of the high pressure cleaning apparatus that form no part of the claimed design. The dash-dot-dash broken lines are for notating enlarged views and form no part of the claimed design.

1 Claim, 13 Drawing Sheets



(56)

References Cited

U.S. PATENT DOCUMENTS

D942,588 S 2/2022 Alexander et al.
D974,528 S 1/2023 Fang

OTHER PUBLICATIONS

Avhrit Cordless Pressure Washer , Jul. 4, 2022, amazon.ca, Mar. 5, 2024, URL: <https://www.amazon.ca/dp/B0C4B13K1H/> (Year: 2022).*

GJXJY Cordless Pressure Washer Battery Powered, Jun. 3, 2021, amazon.ca, Mar. 6, 2024, URL: https://www.amazon.ca/dp/B096K2N9YS/ref=sbl_dpx_ca-outdoor-tools-pressure-washers_B0CFTD539R_0?th=1 (Year: 2021).*

* cited by examiner

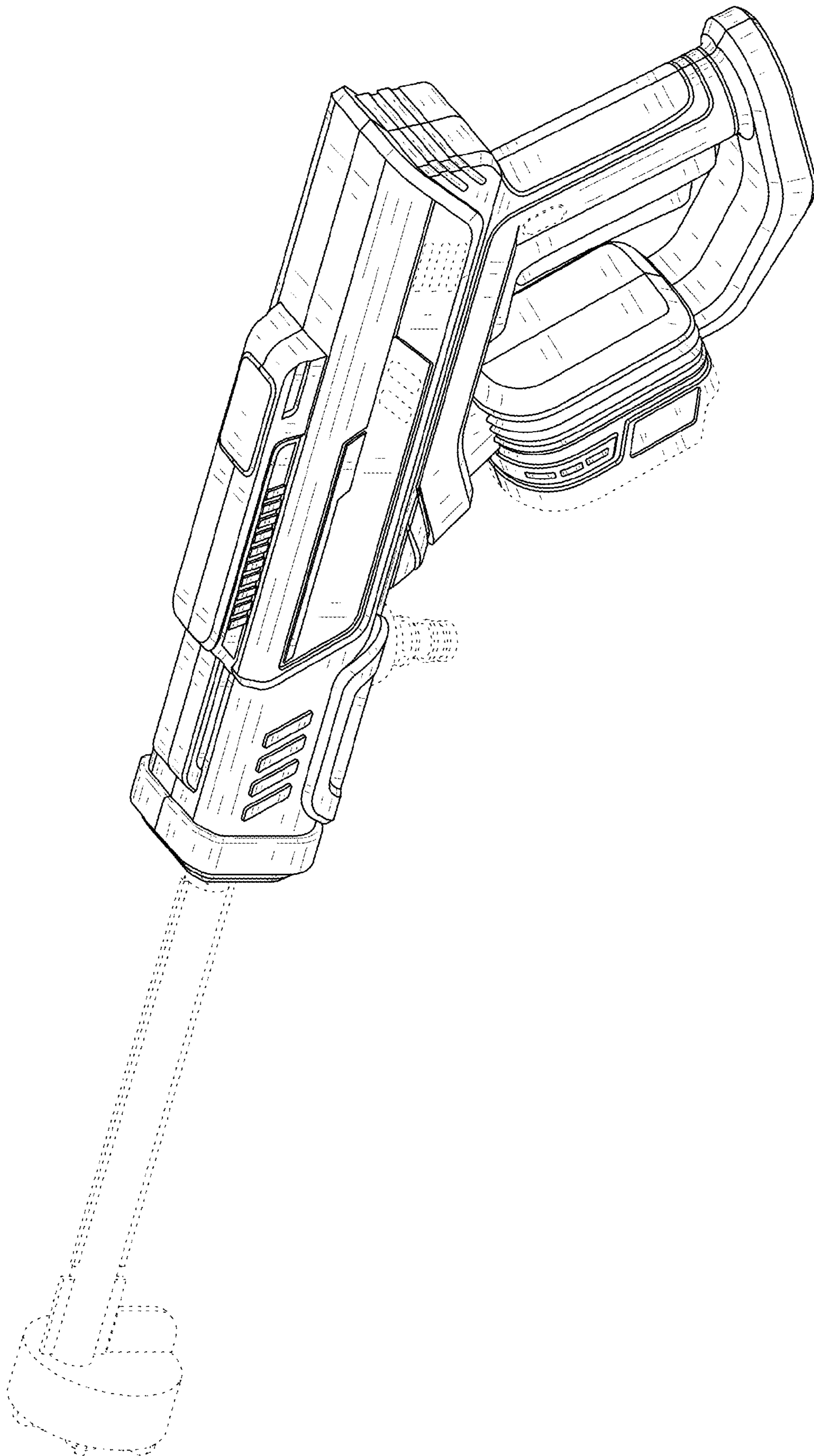


FIG. 1

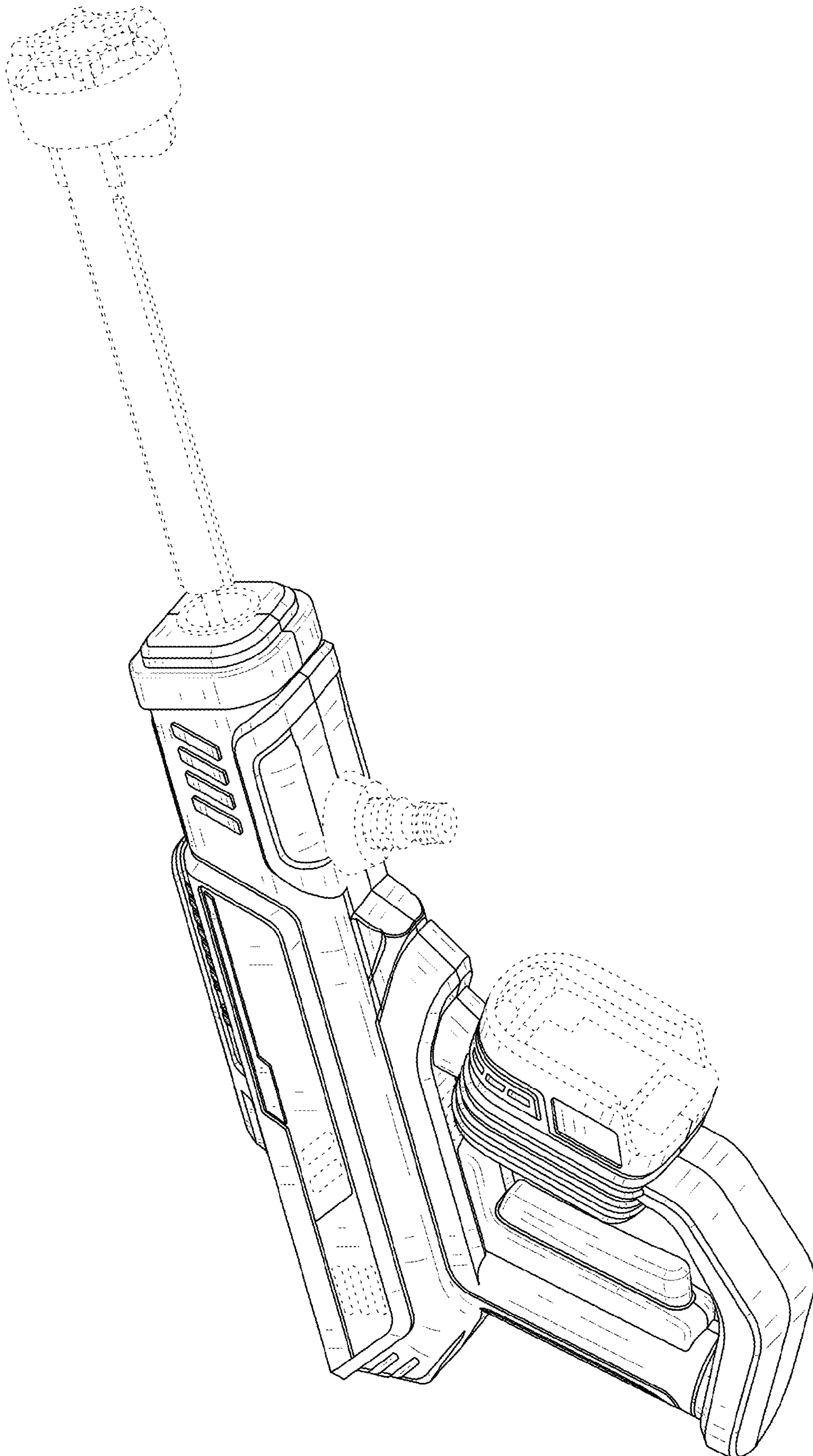


FIG. 2

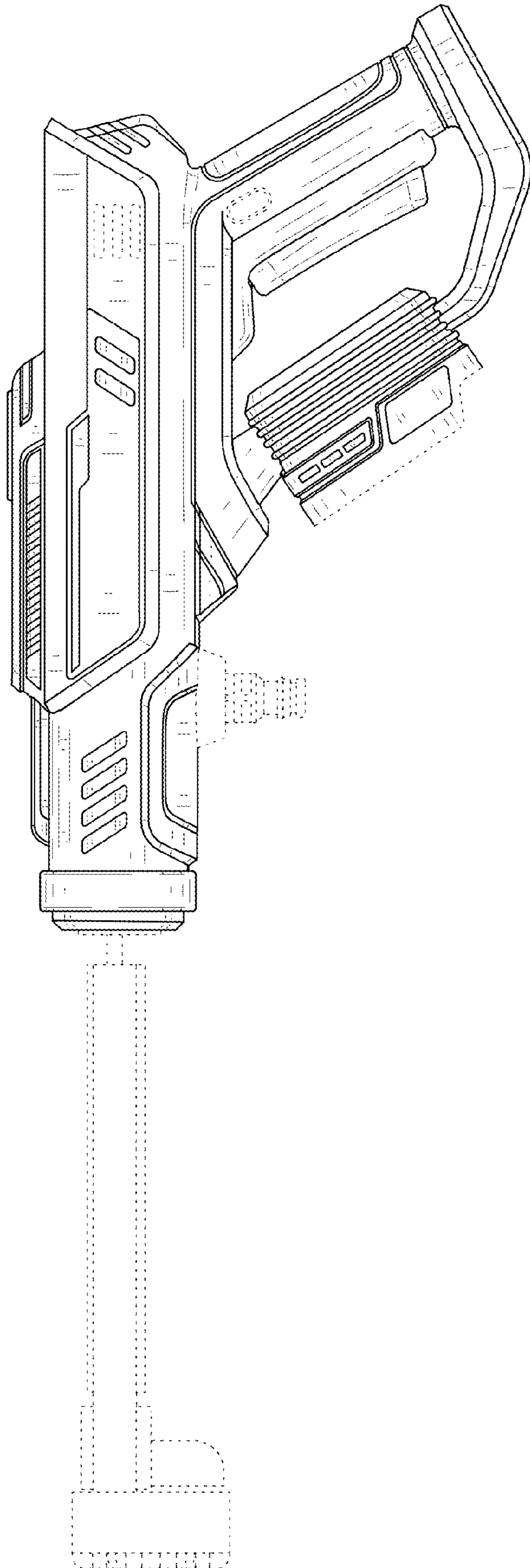


FIG. 3

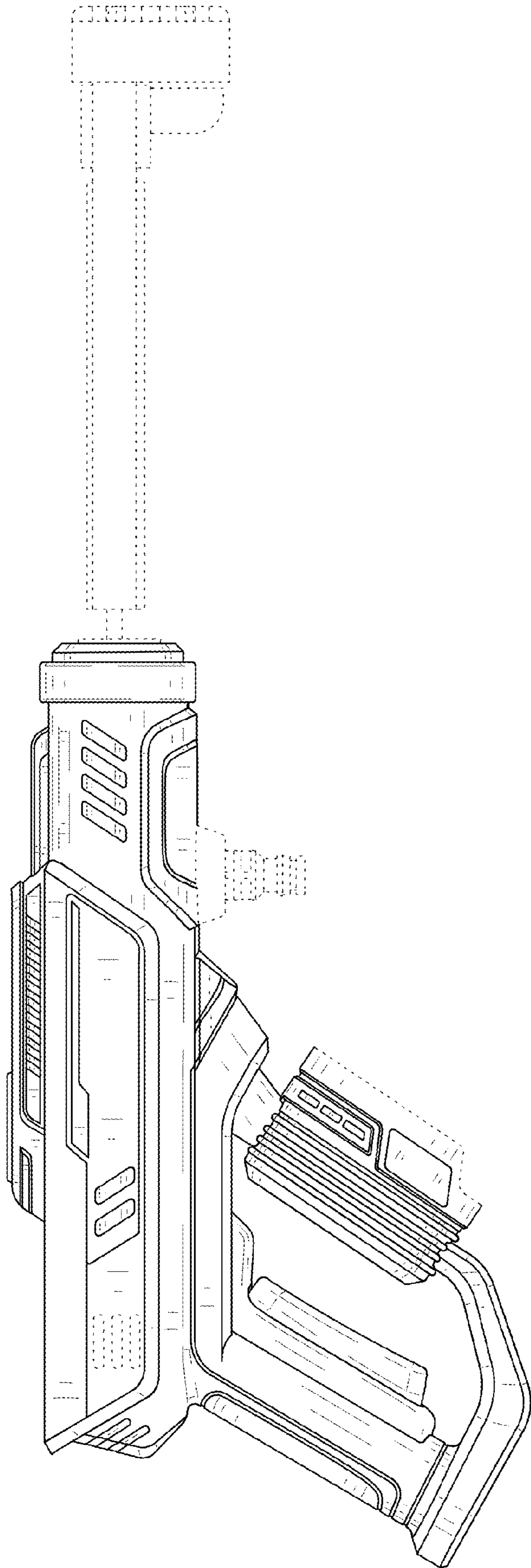


FIG.4

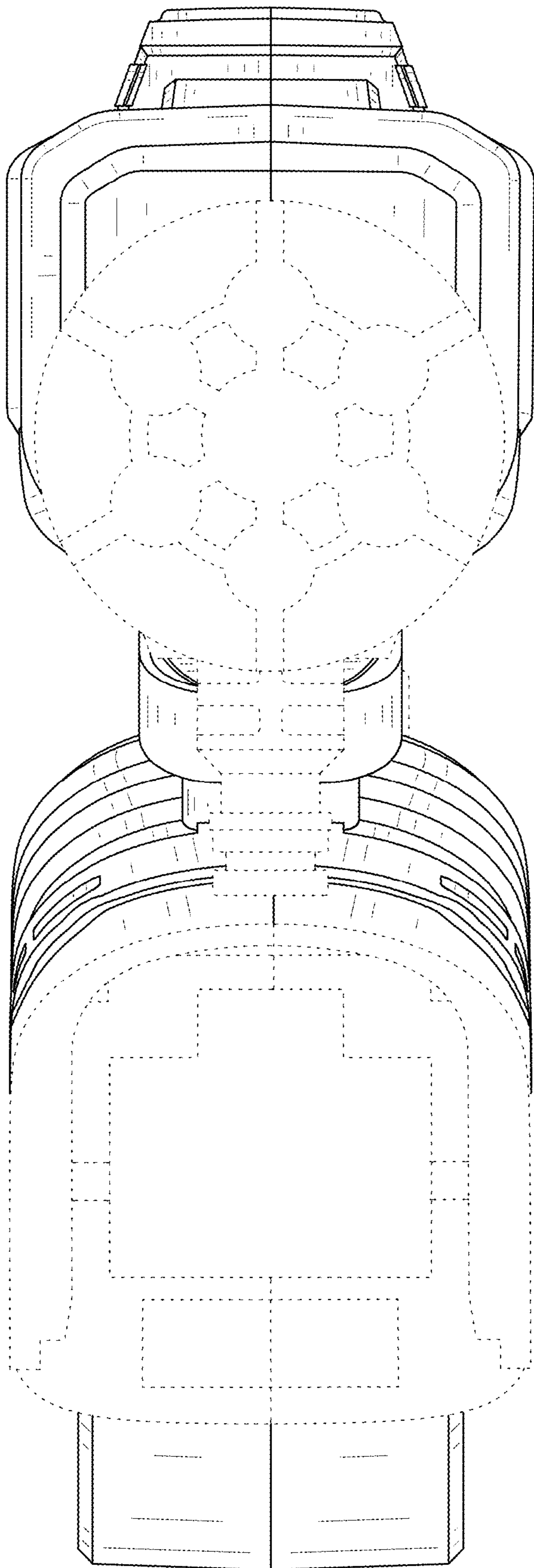


FIG. 5

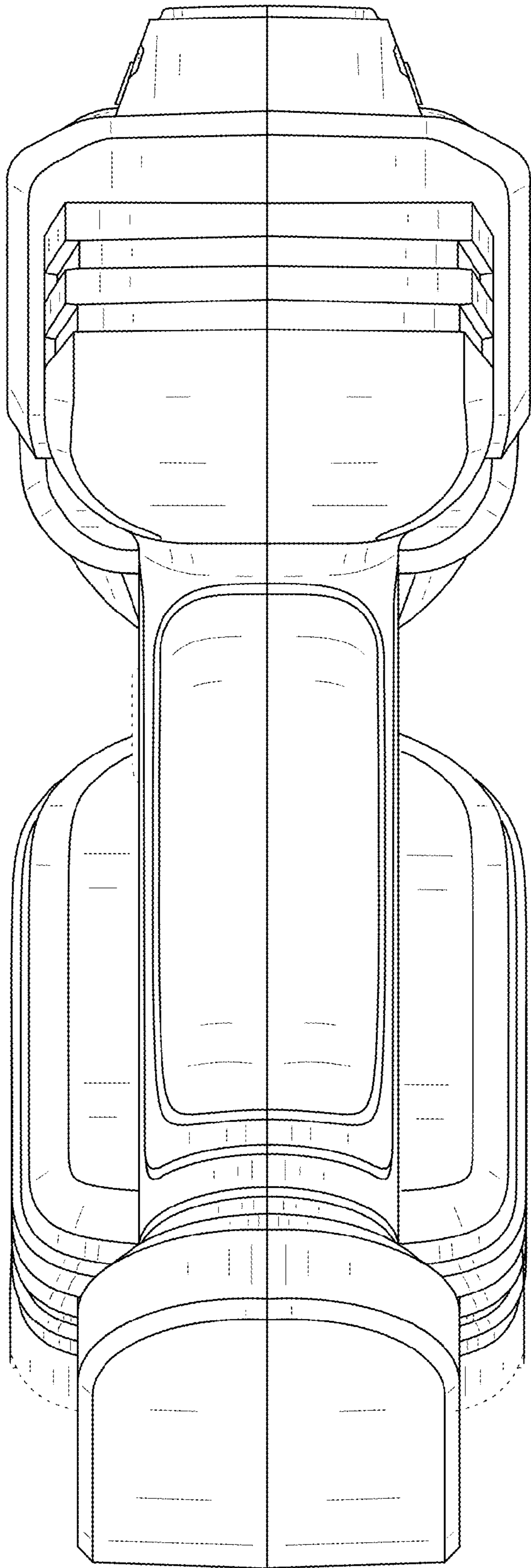


FIG. 6

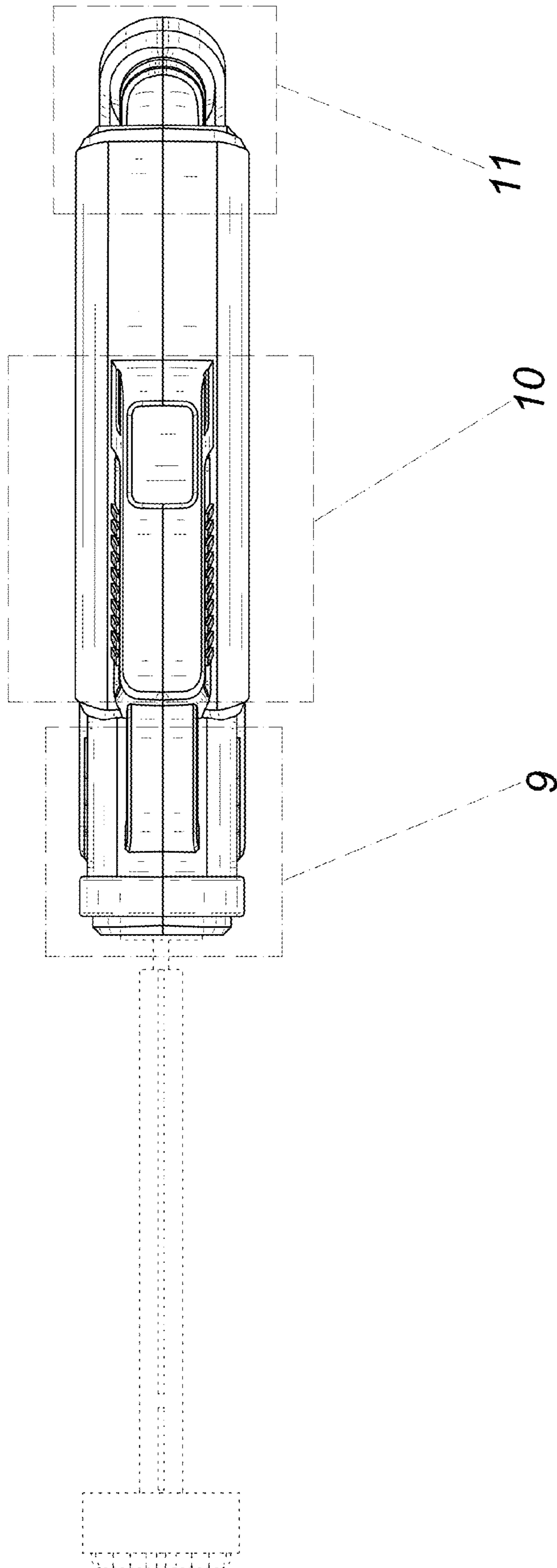


FIG. 7

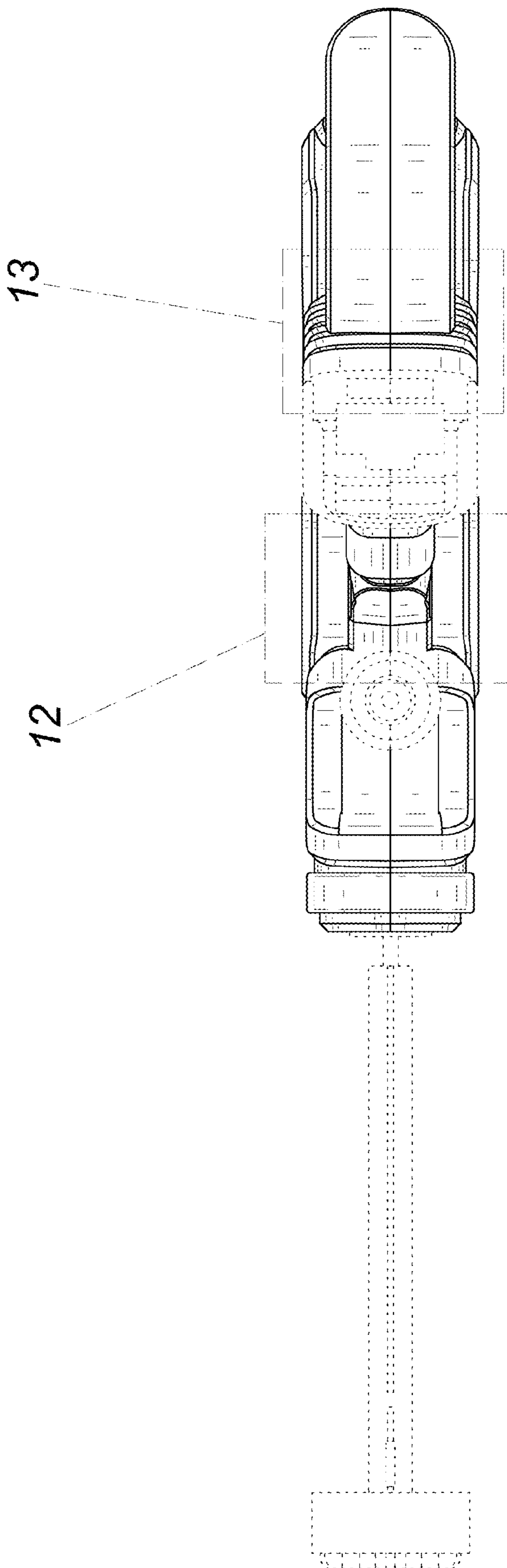


FIG. 8

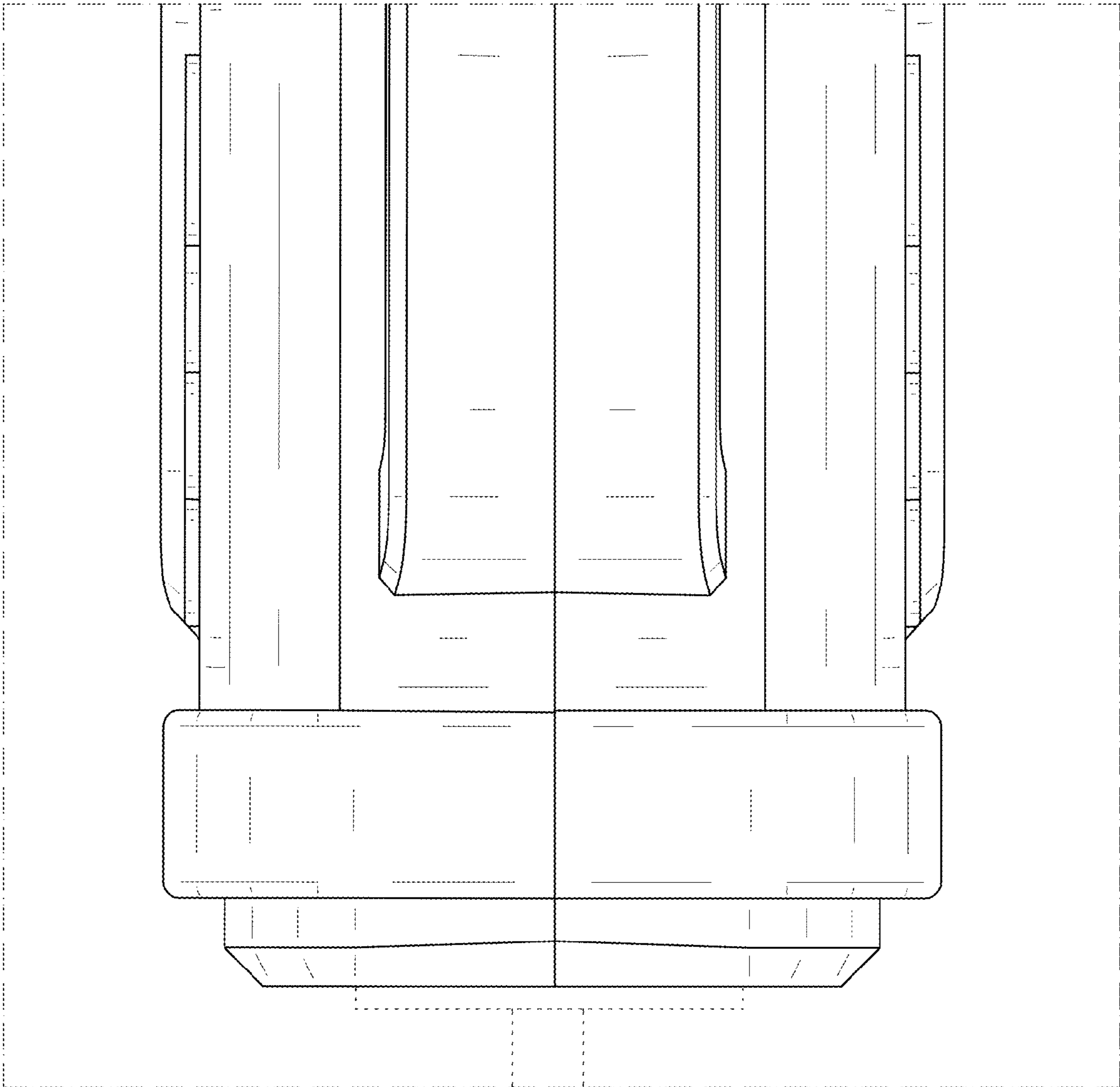


FIG. 9

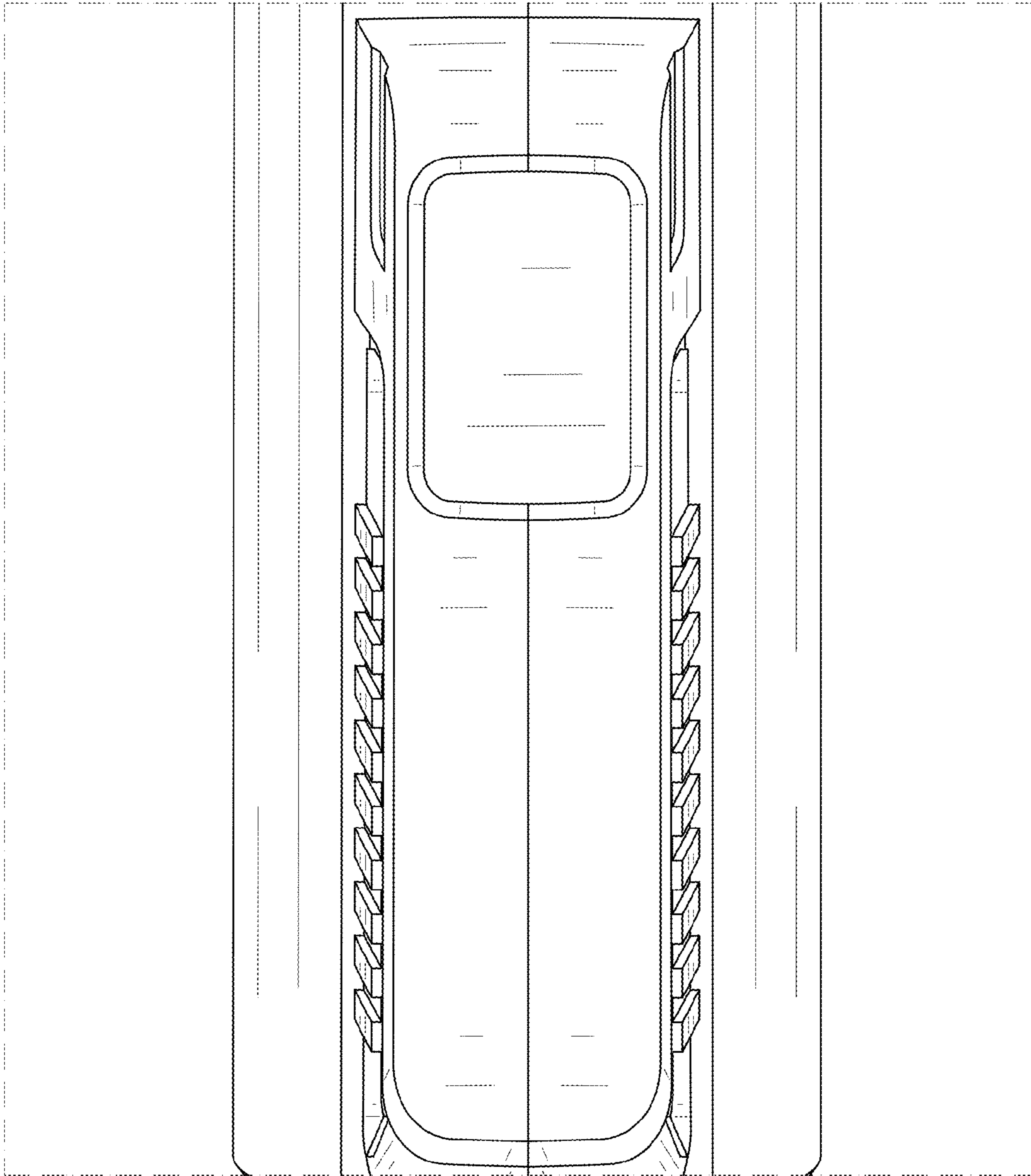


FIG. 10

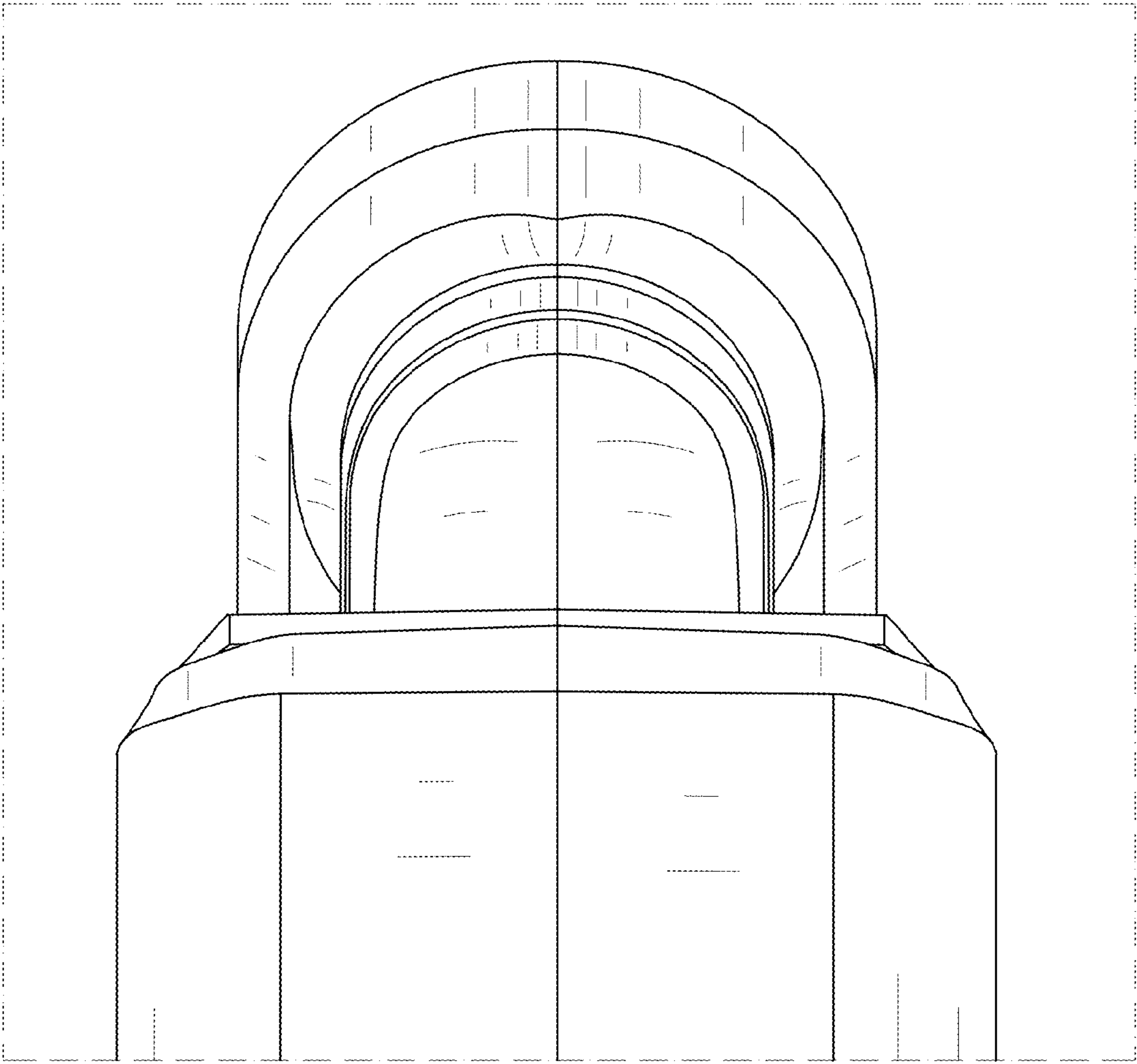


FIG. 11

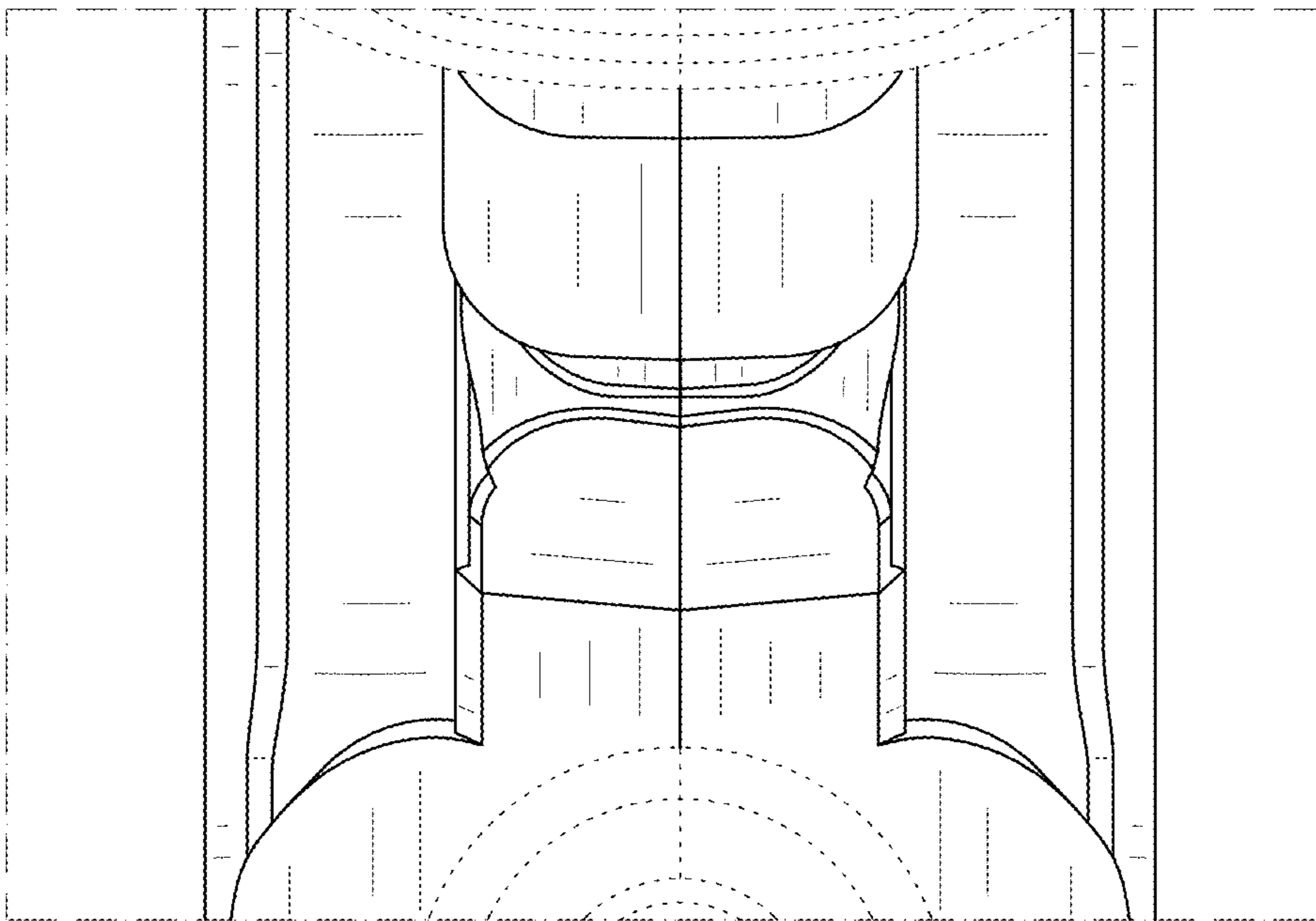


FIG. 12

FIG. 13

