



US0D1028135S

(12) **United States Design Patent** (10) **Patent No.:** **US D1,028,135 S**  
**Senatus** (45) **Date of Patent:** **\*\* May 21, 2024**

(54) **FLAT GRIP TRICEP BAR**  
(71) Applicant: **Vladimir Senatus**, Laval (CA)  
(72) Inventor: **Vladimir Senatus**, Laval (CA)  
(\*\*) Term: **15 Years**

2008/0171642 A1\* 7/2008 Cassidy ..... A63B 23/12  
482/121  
2010/0323852 A1\* 12/2010 Locsin ..... A63B 1/00  
482/96  
2012/0302406 A1 11/2012 Hinds et al.  
2014/0018214 A1\* 1/2014 Jordan ..... A63B 21/072  
482/107

(Continued)

(21) Appl. No.: **29/834,516**  
(22) Filed: **Apr. 12, 2022**  
(51) **LOC (14) Cl.** ..... **21-02**  
(52) **U.S. Cl.**  
USPC ..... **D21/694**; D21/662; D21/673; D21/679;  
D21/691  
(58) **Field of Classification Search**  
USPC ..... D21/662, 673, 677, 679, 680, 682, 684,  
D21/686, 691, 694  
CPC ..... A63B 21/4035; A63B 21/4043; A63B  
23/1209; A63B 21/0442; A63B 23/12;  
A63B 21/0552; A63B 1/00; A63B  
2022/0079; A63B 2069/062; A63B  
2071/027; A63B 23/1218; A63B 3/00  
See application file for complete search history.

FOREIGN PATENT DOCUMENTS

DE 202022100614 U1 3/2022  
GB 6124760 \* 3/2021

OTHER PUBLICATIONS

Winomo, Bicep Pull Bar, published on Oct. 13, 2020 [online].  
Retrieved from internet (Date: Nov. 24, 2023), <https://www.amazon.com/dp/B08L4ZDQPX/> (Year: 2020).\*

(Continued)

*Primary Examiner* — Katherine A Holbrow  
*Assistant Examiner* — Riya Salil Kamat

(57) **CLAIM**

The ornamental design for a flat grip tricep bar, as shown and described.

**DESCRIPTION**

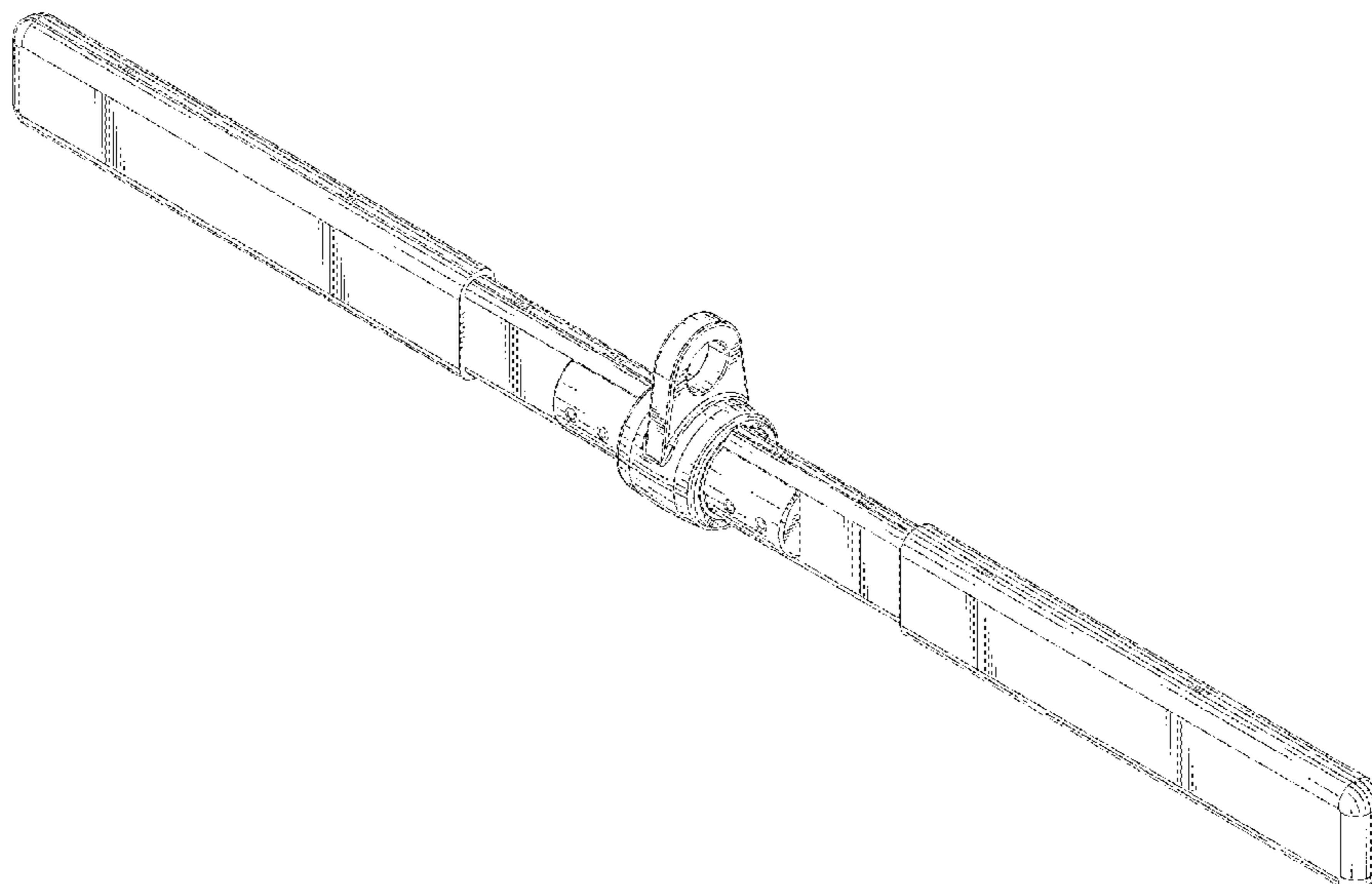
FIG. 1 is a top-front-left perspective view of a flat grip tricep bar showing my new design;  
FIG. 2 is a bottom-rear-perspective view thereof;  
FIG. 3 is an enlarged left elevational view thereof;  
FIG. 4 is an enlarged right elevational view thereof;  
FIG. 5 is a top plan view thereof;  
FIG. 6 is a bottom plan view thereof;  
FIG. 7 is a front elevational view thereof; and,  
FIG. 8 is a rear elevational view thereof.  
The broken lines show portions of the flat grip tricep bar that form no part of the claimed design.

**1 Claim, 8 Drawing Sheets**

(56) **References Cited**

U.S. PATENT DOCUMENTS

D262,730 S \* 1/1982 Lambert, Jr. .... D21/694  
D262,814 S \* 1/1982 Lambert, Jr. .... D21/694  
4,691,916 A 9/1987 Voris  
D305,256 S \* 12/1989 Pearson ..... D21/682  
5,230,684 A 7/1993 Wallisch  
7,862,486 B1 1/2011 Watson  
8,172,727 B2 5/2012 Berman  
9,919,176 B2\* 3/2018 Christie ..... A63B 21/00061  
10,426,994 B1 10/2019 Campanaro et al.  
10,874,896 B1\* 12/2020 Little ..... A63B 21/0442  
11,033,774 B1\* 6/2021 Clarke ..... A63B 21/00185  
11,110,314 B1 9/2021 Wineman  
D994,054 S \* 8/2023 Xu ..... D21/679  
D994,801 S \* 8/2023 Xiao ..... D21/679  
2007/0161469 A1 7/2007 Lamel et al.



(56)

**References Cited**

## U.S. PATENT DOCUMENTS

2014/0287886 A1\* 9/2014 Patti ..... A63B 21/4043  
482/93  
2017/0157457 A1 6/2017 Kurabieski et al.  
2018/0207473 A1 7/2018 McCullough  
2020/0061140 A1 2/2020 Lacroce  
2021/0154521 A1\* 5/2021 Wu ..... A63B 21/4035  
2022/0134169 A1\* 5/2022 Bou-Rabee ..... A63B 23/03525  
482/93  
2023/0073056 A1\* 3/2023 Hales ..... A63B 69/08

## OTHER PUBLICATIONS

BalanceFrom, Tricep Press Down Cable Attachment, published on Oct. 28, 2021 [online]. Retrieved from internet (Date: Nov. 24, 2023), <https://www.amazon.com/BalanceFrom-Powergainz-Attachment-Pulldown-Accessories/dp/B09KMH25QR/> (Year: 2021).\*

Yes4All, Tricep Press Down Bar, published on May 4, 2020 [online]. Retrieved from internet (Date: Nov. 24, 2023), <https://www.amazon.com/Yes4All-Attachment-Rotating-Straight-Diamond/dp/B0881FKJW3/?th=1> (Year: 2020).\*

T-Grip Barbell Flat Triceps Handle Cable Attachment, Retrieved from Internet, Retrieved on Jan. 24, 2022 <URL: <https://myemail.constantcontact.com/Ironcompany-com--FLASH-FRIDAY-SAVINGS-TODAY-ONLY-9AM-3PM-PDT.html?soid=1109043704351&aid=GZ4rfW5RQa4>>.

\* cited by examiner

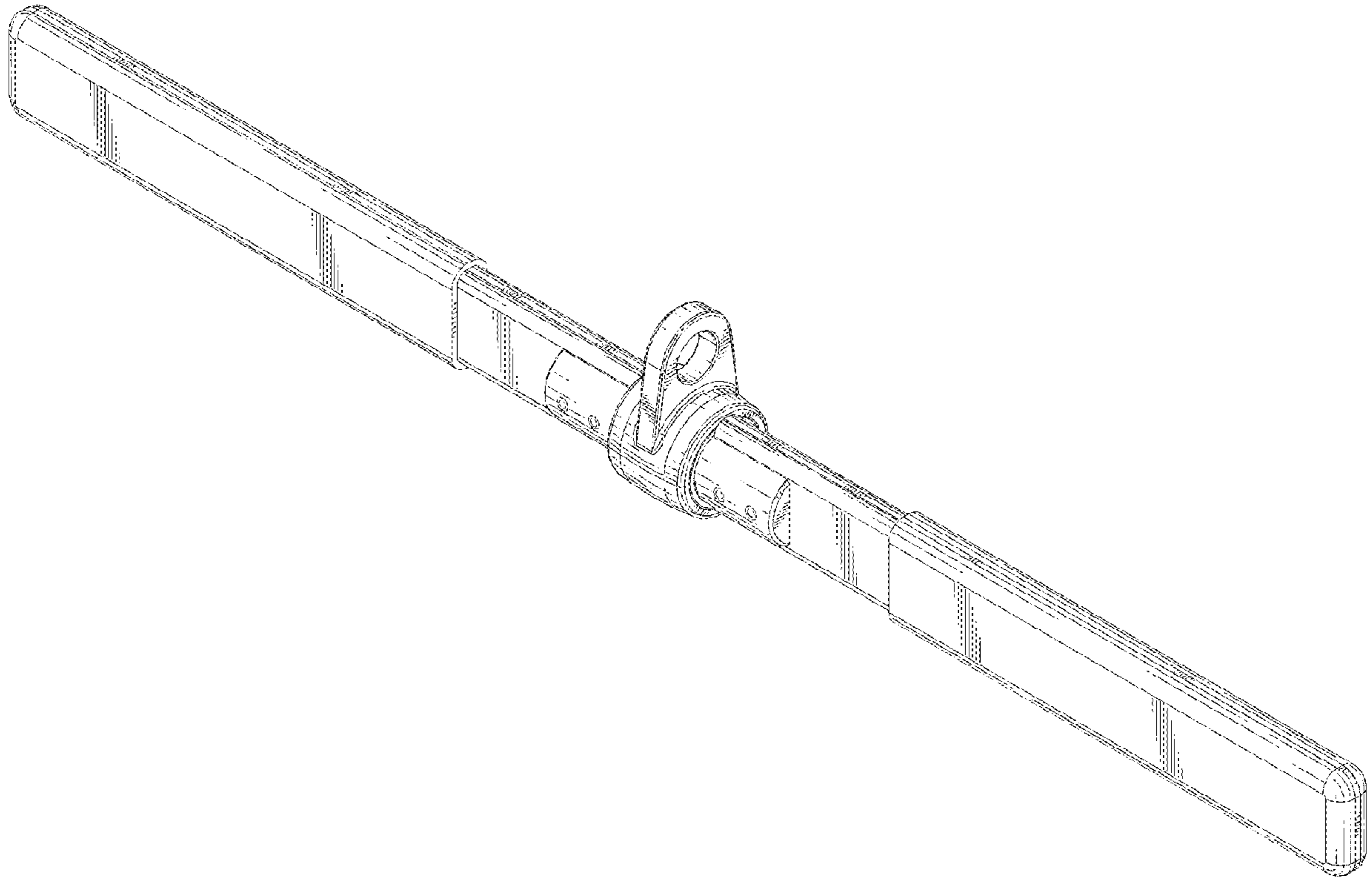


FIG. 1

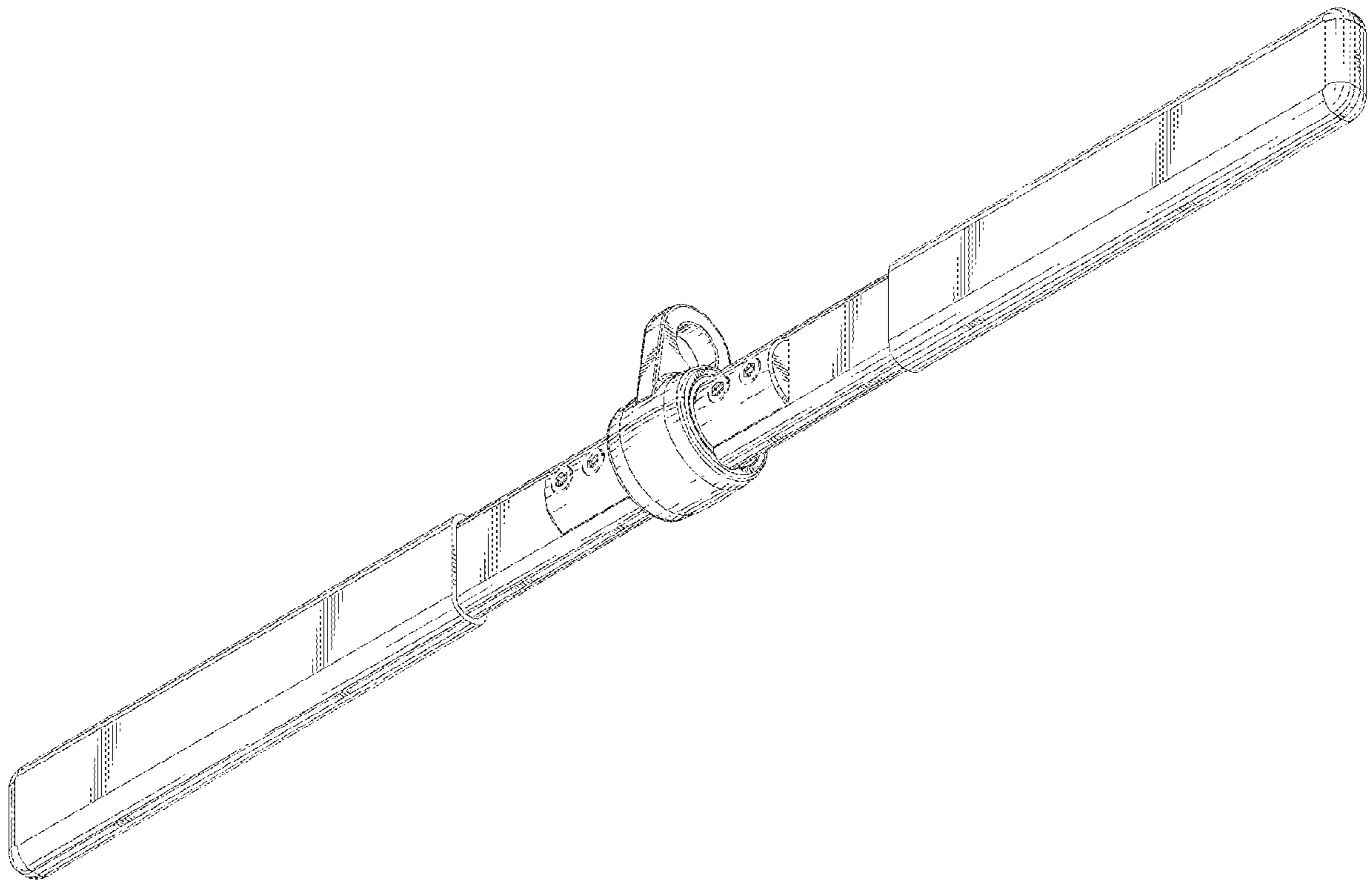


FIG. 2

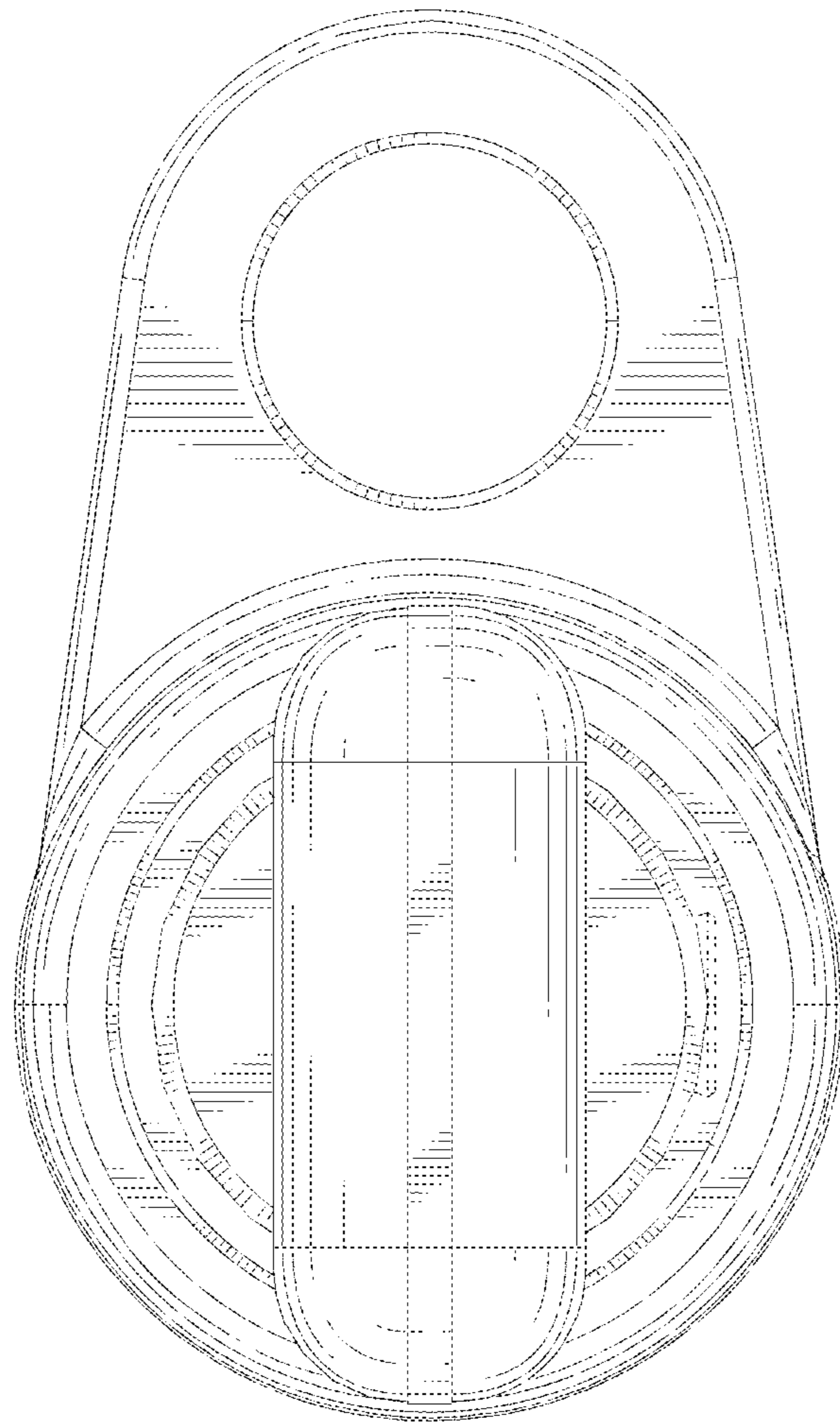


FIG. 3

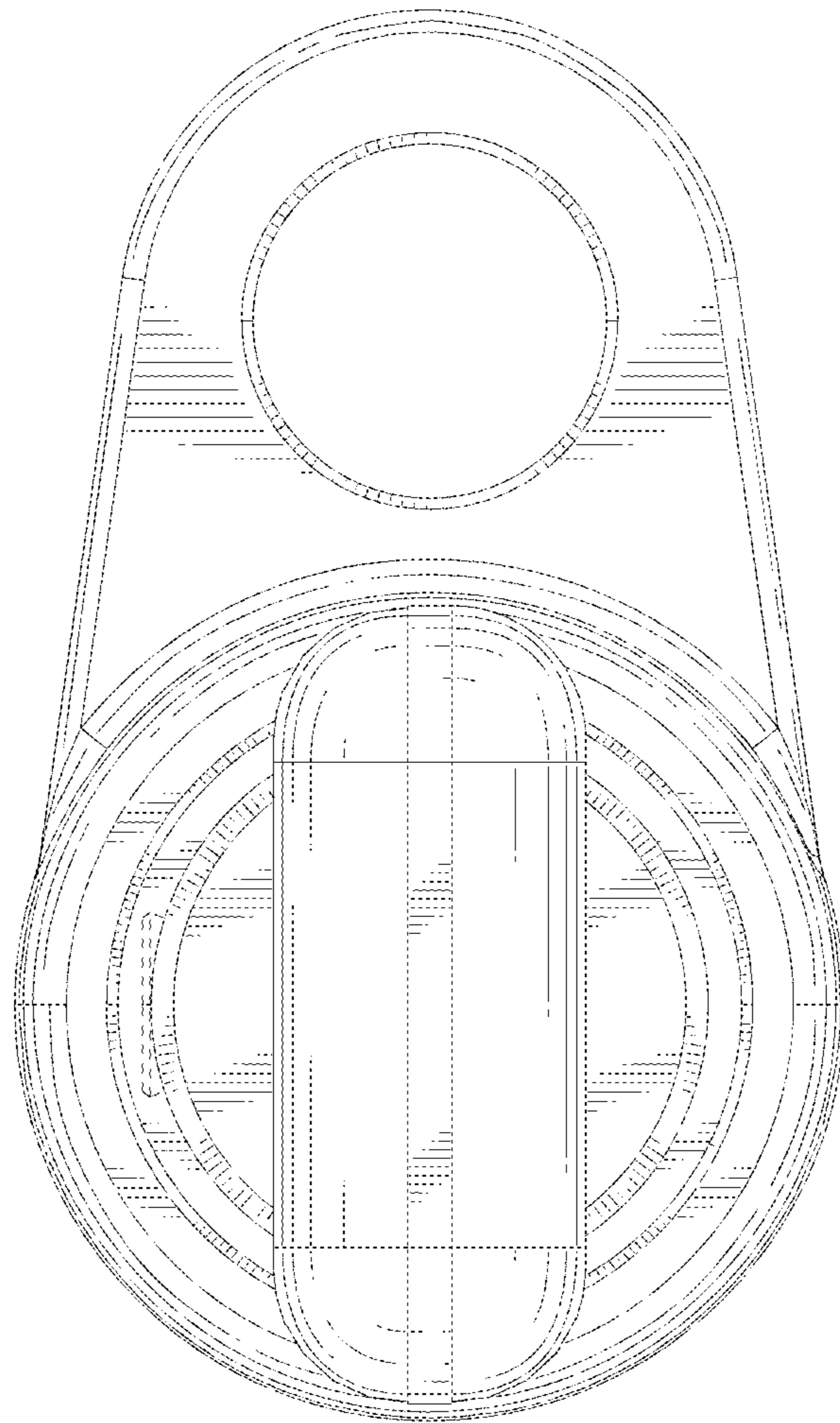


FIG. 4

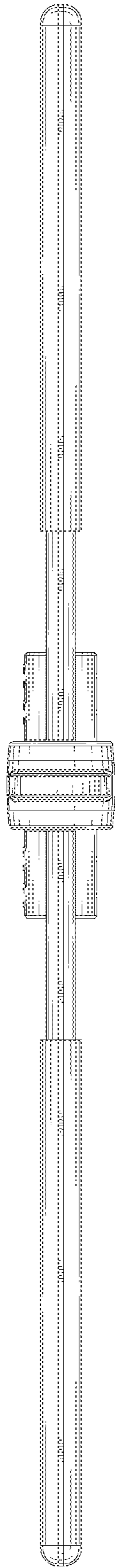


FIG. 5

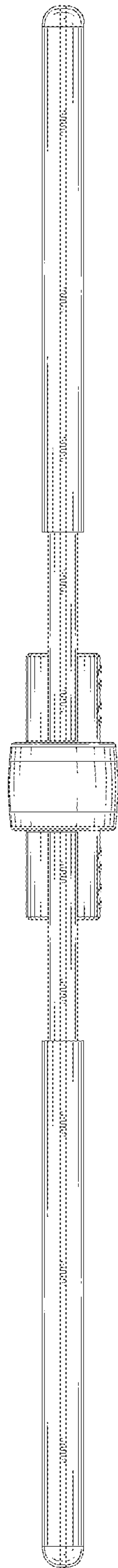


FIG. 6



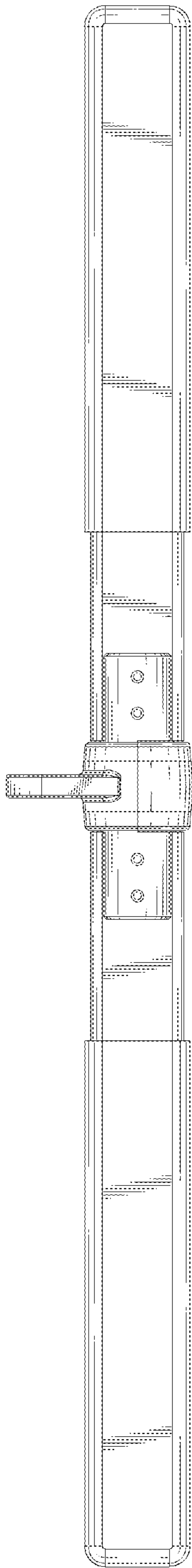


FIG. 7

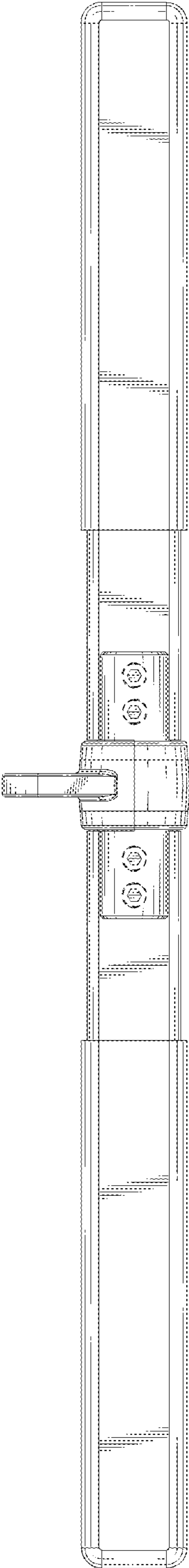


FIG. 8