



US0D1028110S

(12) **United States Design Patent** (10) **Patent No.:** **US D1,028,110 S**
Breeze (45) **Date of Patent:** **** May 21, 2024**

(54) **FITNESS HOOP**
(71) Applicant: **Nevada Breeze**, Pasadena, CA (US)
(72) Inventor: **Nevada Breeze**, Pasadena, CA (US)
(**) Term: **15 Years**
(21) Appl. No.: **29/810,418**
(22) Filed: **Oct. 5, 2021**
(51) **LOC (14) Cl.** **21-01**
(52) **U.S. Cl.**
USPC **D21/457**
(58) **Field of Classification Search**
USPC D21/662, 455, 456, 457, 683, 684, 797;
D30/160
CPC A63B 21/4035; A63B 21/002; A63B
21/0004; A63B 19/00; A63B 21/00043;
A63H 33/02; A63H 33/28; A63H 33/00
See application file for complete search history.

5,538,454 A * 7/1996 Kessler A63B 19/00
446/28
5,569,134 A * 10/1996 Nordanger A63B 19/00
446/236
D396,079 S * 7/1998 Coon D21/722
D442,234 S * 5/2001 Seo D21/457
D445,146 S * 7/2001 Seo D21/457
D450,097 S * 11/2001 Seo D21/457
D458,651 S * 6/2002 Lee D21/457
D458,653 S * 6/2002 Hsu D21/457
6,450,854 B1 * 9/2002 Fireman A63B 21/0602
446/28
D479,861 S * 9/2003 Vorkapic D21/457
6,648,717 B1 * 11/2003 Dignitti A63B 19/00
446/28
6,814,645 B2 * 11/2004 Kuk A63B 19/00
446/28

(Continued)

Primary Examiner — Mehri F Bajoul
(74) *Attorney, Agent, or Firm* — Christopher A. Richardson

(56) **References Cited**

U.S. PATENT DOCUMENTS

3,464,149 A * 9/1969 Batterson A63H 33/02
D21/457
3,911,264 A * 10/1975 Chao F21V 33/008
D21/457
3,918,708 A * 11/1975 Augusta A63H 33/22
84/477 B
4,052,982 A * 10/1977 Ozeryansky A63B 19/00
446/236
4,100,697 A * 7/1978 Ward A63H 33/02
446/236
D275,236 S * 8/1984 Soderback D21/457
D320,241 S * 9/1991 Moore D21/457
D325,756 S * 4/1992 Grey D21/457
5,145,443 A * 9/1992 Vaisnys A63H 5/00
446/265
D343,209 S * 1/1994 Lee D10/97
5,342,273 A * 8/1994 Plendl A63B 21/045
482/122
D359,994 S * 7/1995 Knopp D21/457

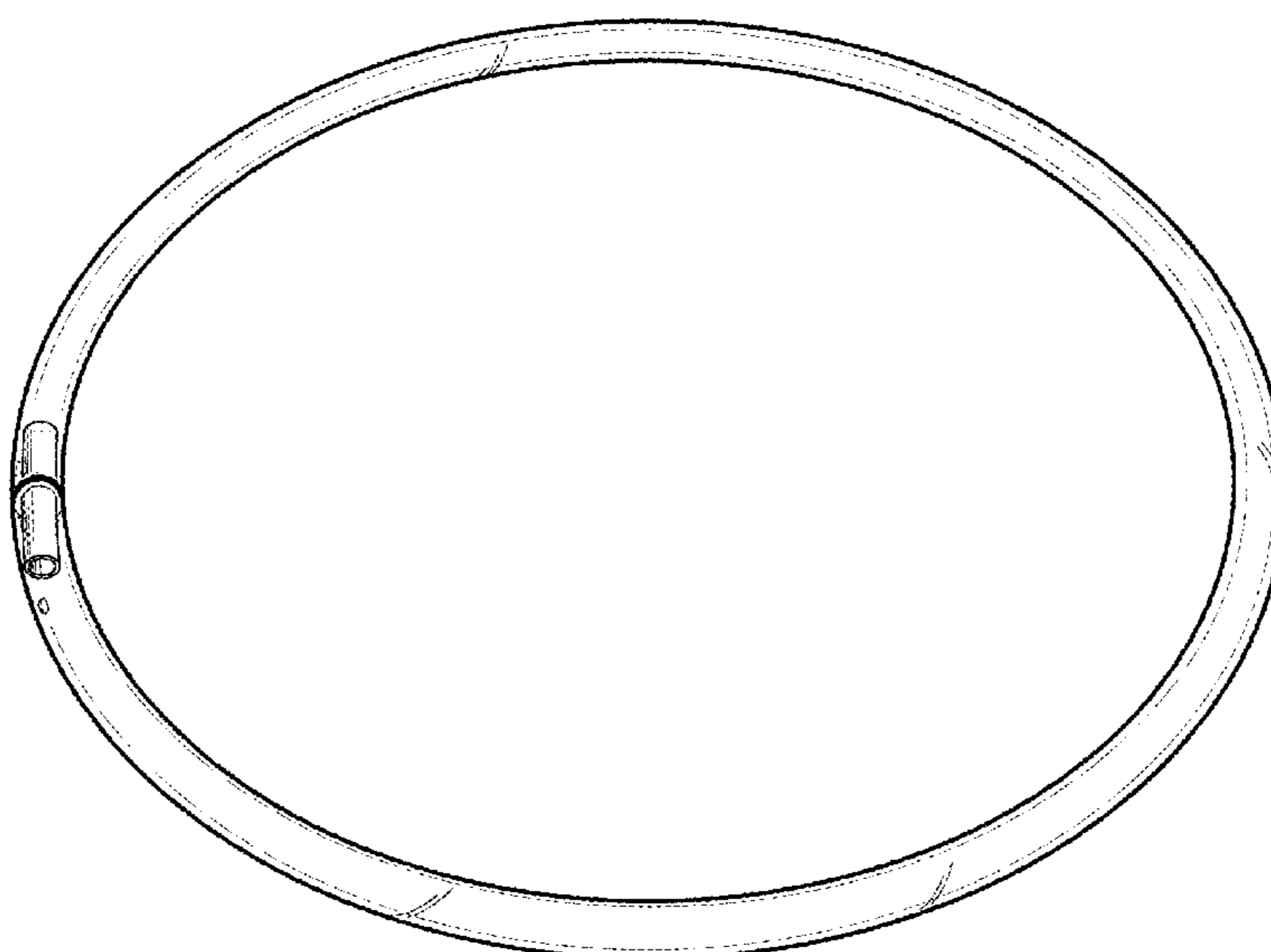
(57) **CLAIM**

I claim an ornamental design for a fitness hoop, as shown and described.

DESCRIPTION

FIG. 1 is an top perspective view of a fitness hoop showing my new design;
FIG. 2 is a right perspective view thereof;
FIG. 3 is a magnified portion as designated in FIG. 2;
FIG. 4 is a bottom perspective view of FIG. 1;
FIG. 5 is a front elevational view thereof;
FIG. 6 is a right elevational view thereof;
FIG. 7 is a top plan view thereof; and,
FIG. 8 is a left elevational view thereof.
The broken line circles depict the bounds of the magnified portion and form no part of the claimed design.

1 Claim, 8 Drawing Sheets



(56)

References Cited

U.S. PATENT DOCUMENTS

7,699,682 B1 * 4/2010 Scott, Sr. A63H 33/02
482/148
D627,405 S * 11/2010 Grey D21/457
D637,368 S * 5/2011 Willinger D30/119
10,080,914 B1 * 9/2018 Kessler A63B 19/00
D847,910 S * 5/2019 Yoon D21/457
10,420,979 B2 * 9/2019 Estrada, Jr. A63B 21/0603
D899,545 S * 10/2020 Stadler D21/797
D919,713 S * 5/2021 Terry D21/457
11,090,521 B2 * 8/2021 Yoon G09B 19/0038
D934,959 S * 11/2021 Suetake D21/662
D940,336 S * 1/2022 Gifford D24/200
11,260,293 B2 * 3/2022 Tamura A63F 13/218
11,351,084 B1 * 6/2022 Gifford A61H 7/003
2006/0094324 A1 * 5/2006 Kelley A63H 33/28
446/15
2009/0017719 A1 * 1/2009 Lin A63B 19/00
446/236

* cited by examiner

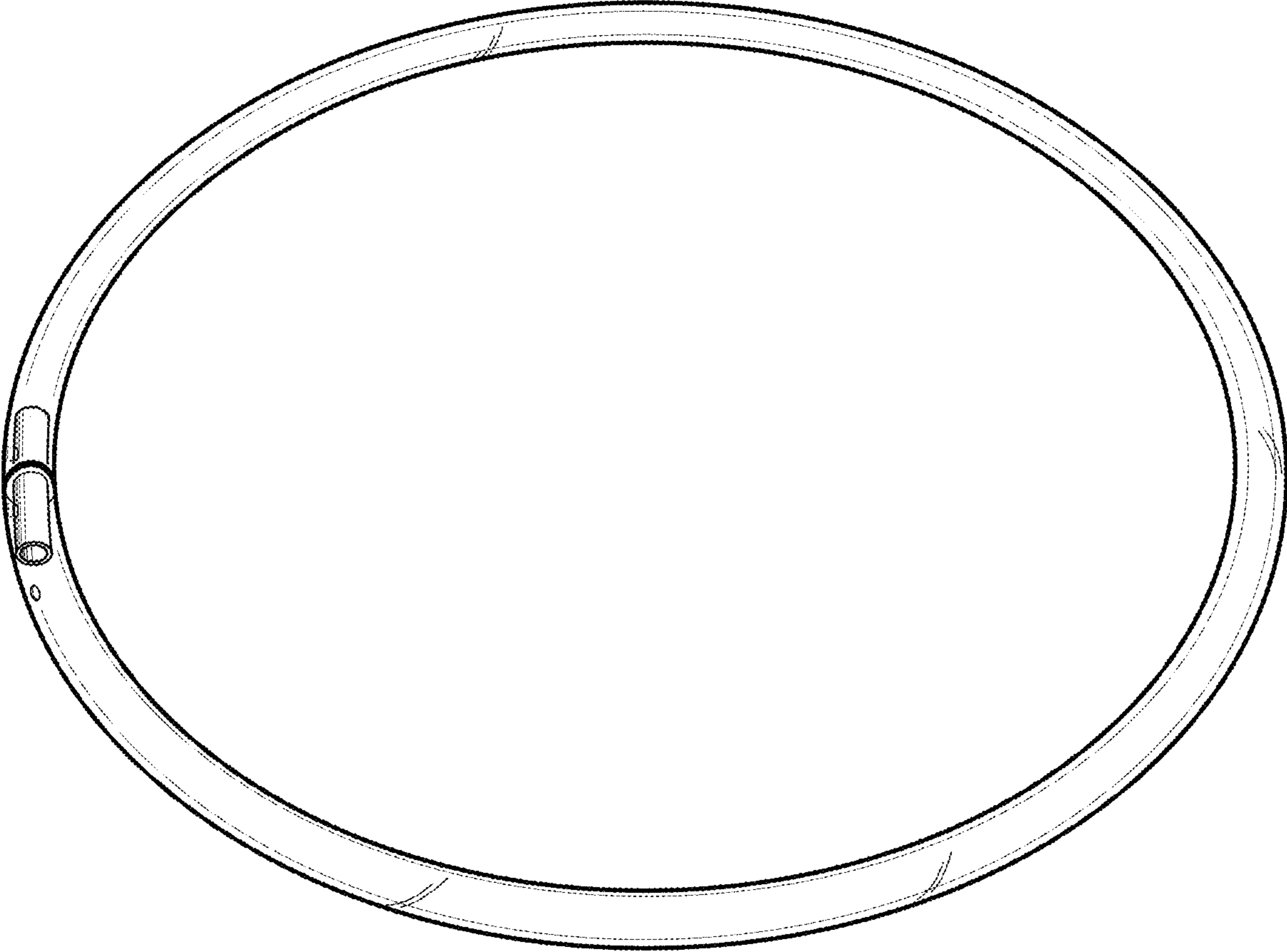


FIG. 1

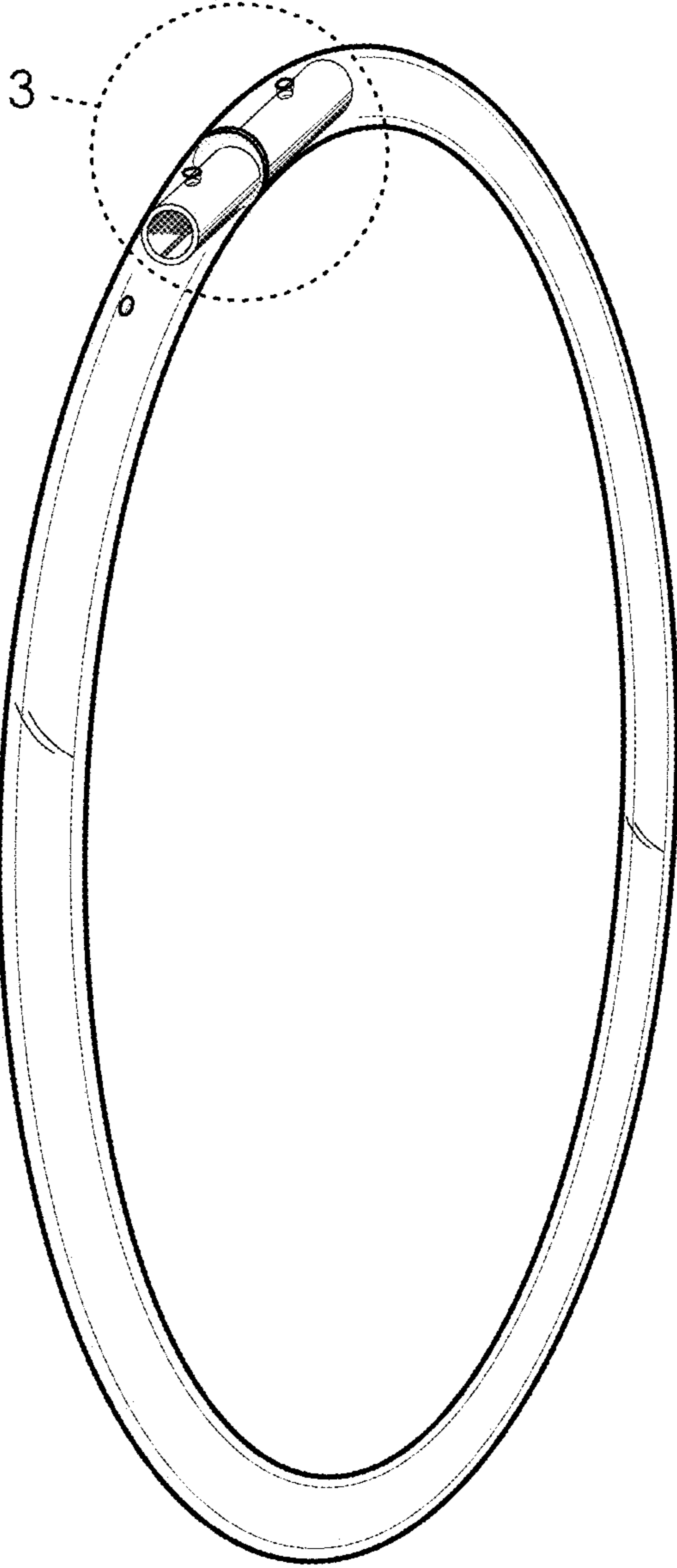


FIG. 2

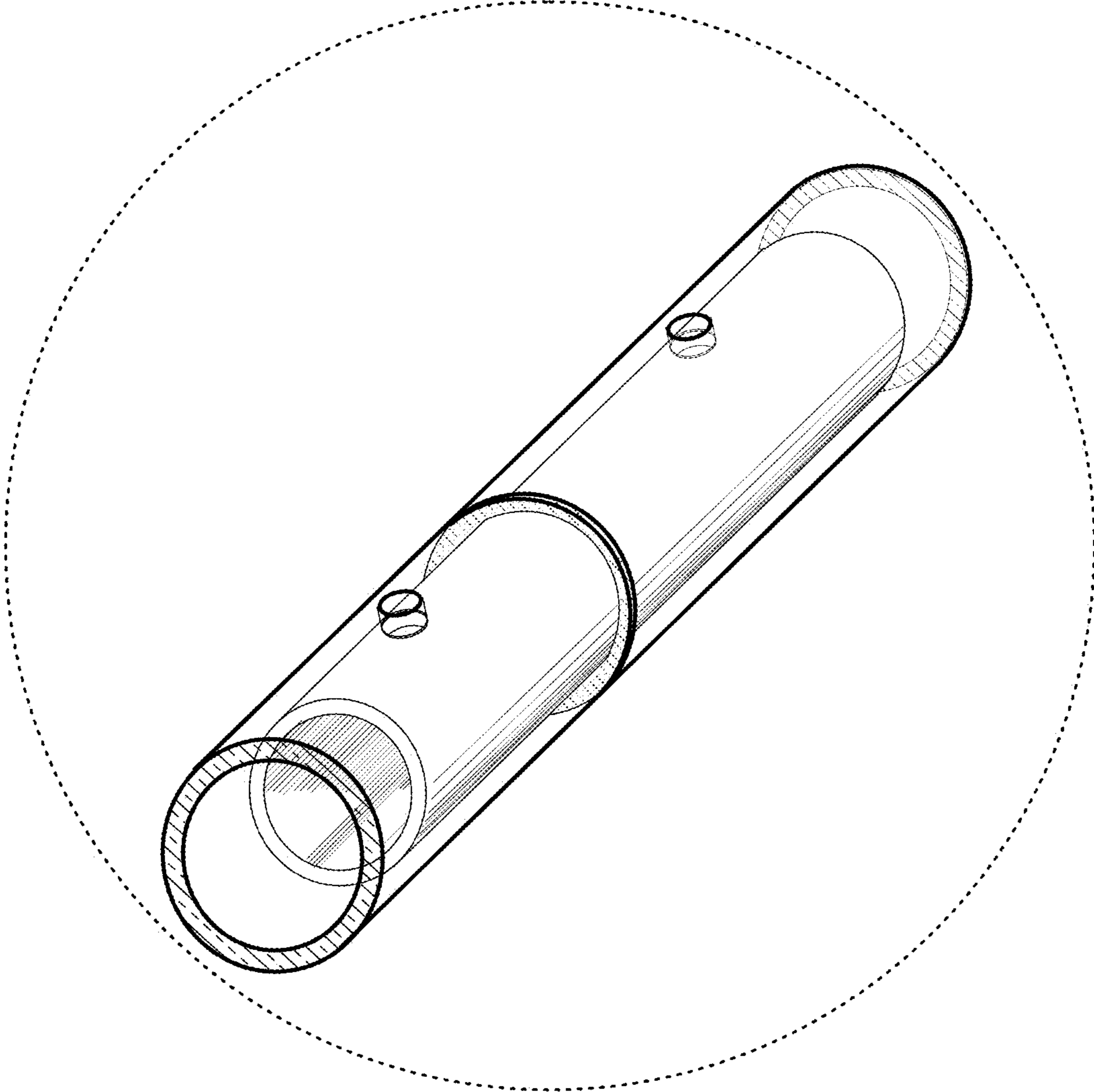


FIG. 3

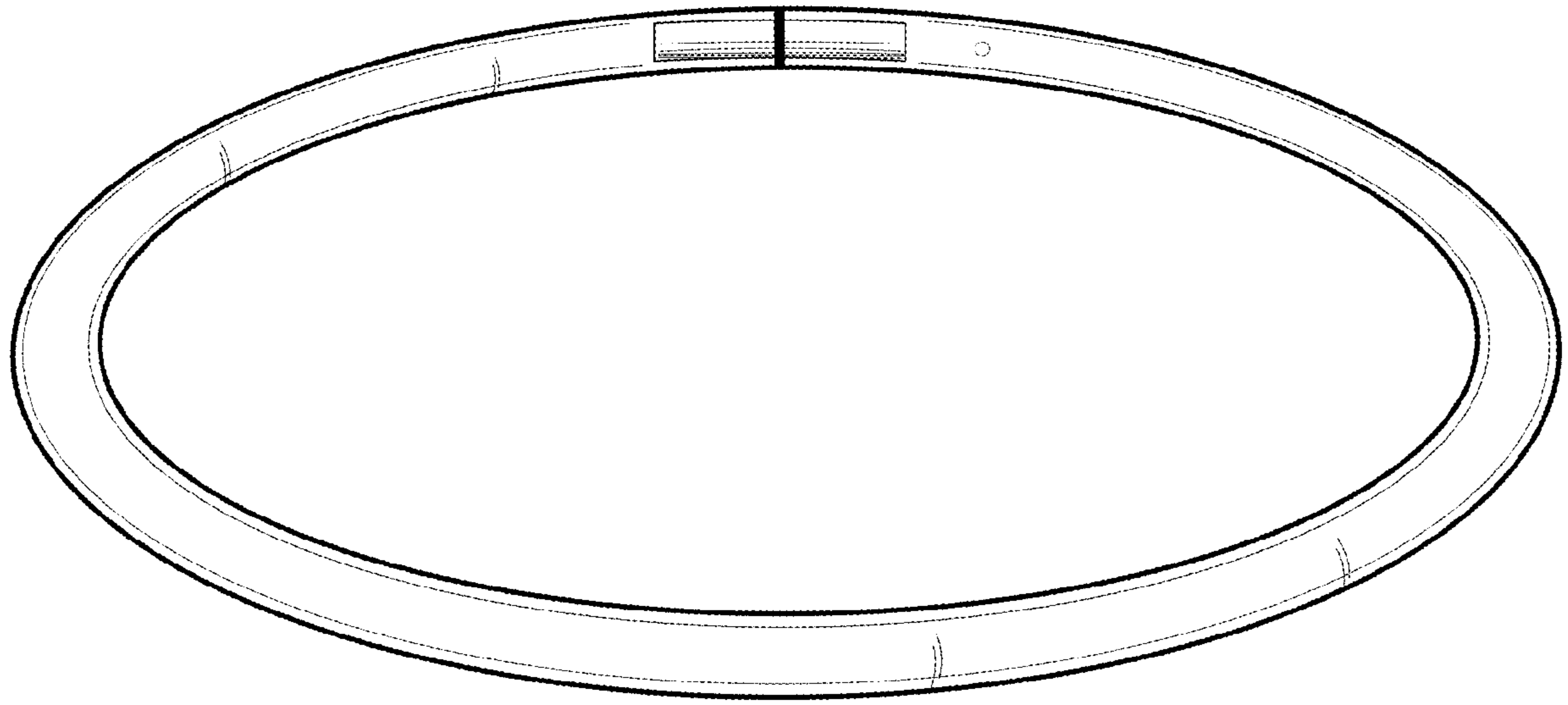


FIG. 4

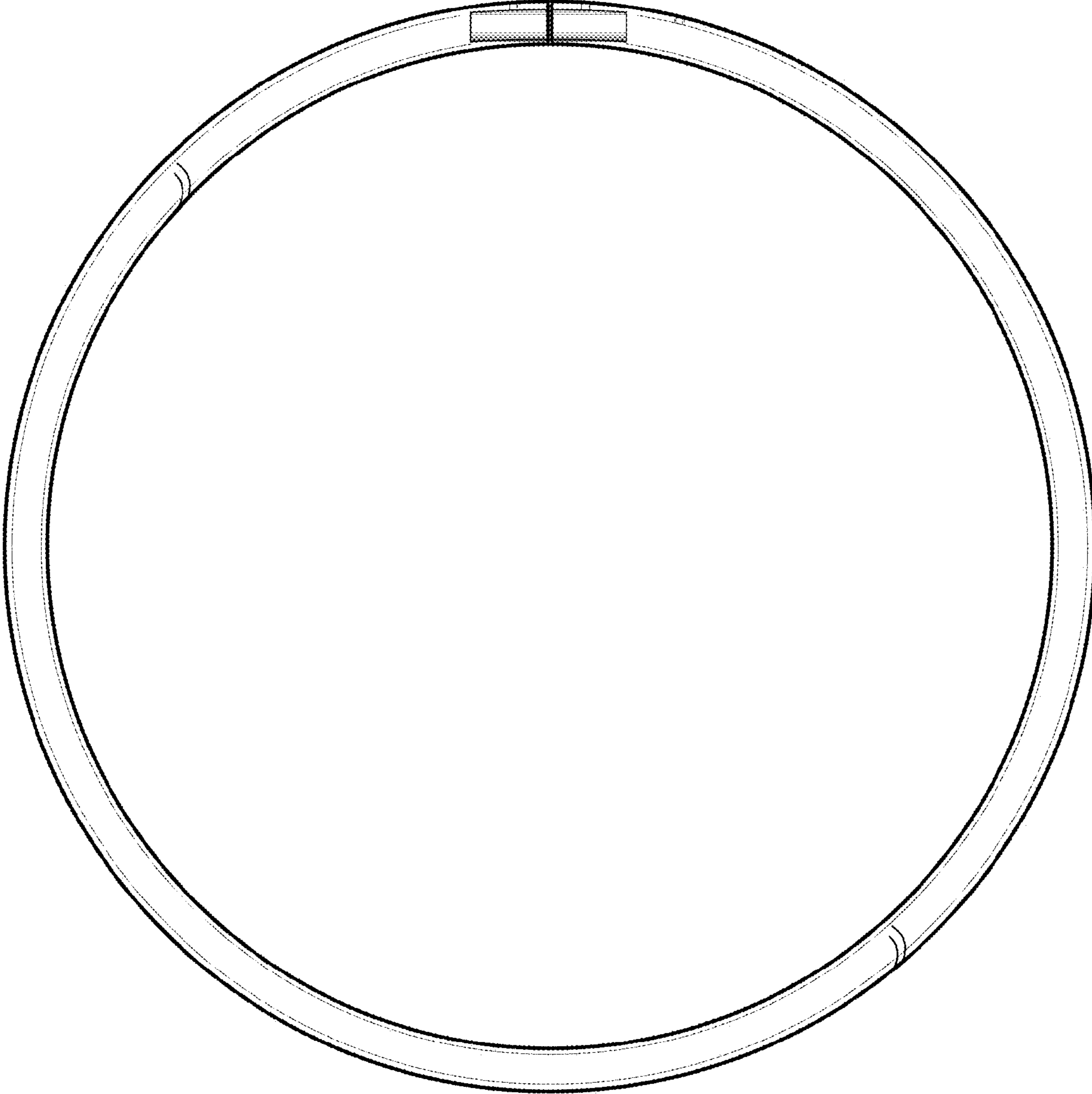


FIG. 5



FIG. 6



FIG. 7



FIG. 8