



US0D1028083S

(12) **United States Design Patent** (10) **Patent No.: US D1,028,083 S**  
**McGill, III** (45) **Date of Patent: \*\* May 21, 2024**

(54) **MESSAGE BOARD SET**

FOREIGN PATENT DOCUMENTS

(71) Applicant: **Dennis McGill, III**, Washington, DC (US)

KR 301086386.0000 \* 12/2020

(72) Inventor: **Dennis McGill, III**, Washington, DC (US)

OTHER PUBLICATIONS

(\*\*) Term: **15 Years**

Direct View LED Sign posted by TCL Series posted date unknown, © EMEDCO, [online], [site visited Jan. 20, 2024]. Available from Internet, <https://www.emedco.com/direct-view-led-sign-down-arrow-18829d.html?> (Year: 2024).\*

(21) Appl. No.: **29/747,373**

(Continued)

(22) Filed: **Aug. 21, 2020**

*Primary Examiner* — Garth Rademaker

(51) **LOC (14) Cl.** ..... **19-06**

*Assistant Examiner* — Laura H Yu

(52) **U.S. Cl.**  
USPC ..... **D19/113**

(74) *Attorney, Agent, or Firm* — Sanchelima & Associates, P.A.; Christian Sanchelima; Jesus Sanchelima

(58) **Field of Classification Search**  
USPC ..... D19/113, 114; D21/469; D6/332, 406.3; D14/126, 374  
CPC . B43L 1/004; B43L 1/002; G09F 1/12; G06F 3/03547; G09B 11/04; A47B 3/0818  
See application file for complete search history.

(57) **CLAIM**

The ornamental design for a message board set, as shown and described.

(56) **References Cited**

U.S. PATENT DOCUMENTS

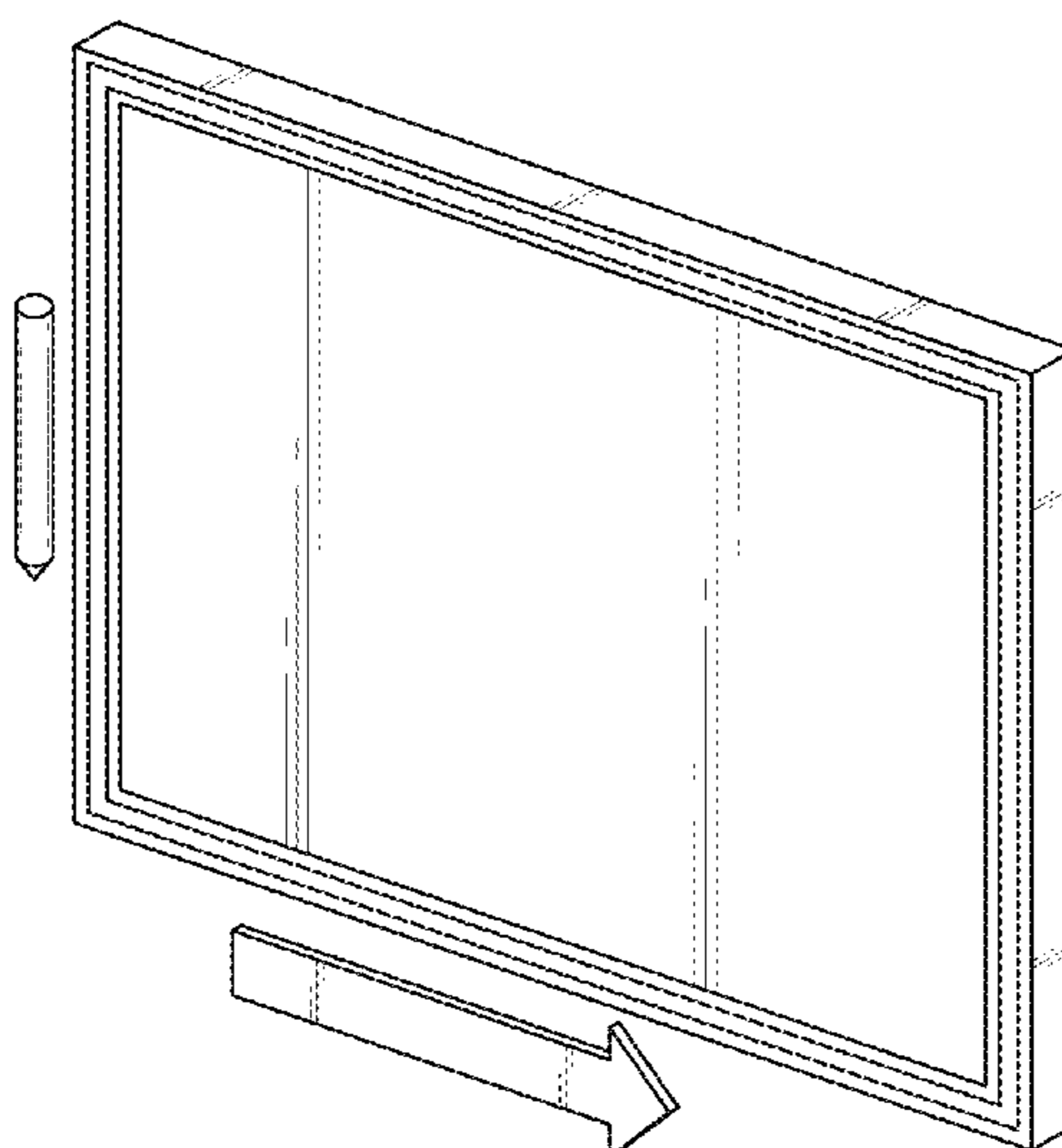
**DESCRIPTION**

|                |         |          |       |              |
|----------------|---------|----------|-------|--------------|
| D343,865 S *   | 2/1994  | Pohl     | ..... | D19/78       |
| 5,647,151 A *  | 7/1997  | Fantone  | ..... | G11B 23/0233 |
| 5,743,414 A *  | 4/1998  | Baudino  | ..... | B43K 23/001  |
|                |         |          |       | 211/89.01    |
| 6,364,126 B1 * | 4/2002  | Enriquez | ..... | G09F 7/04    |
|                |         |          |       | 211/DIG. 1   |
| D496,068 S *   | 9/2004  | Mandel   | ..... | D19/113      |
| 7,293,993 B2 * | 11/2007 | Fedorov  | ..... | G09F 7/04    |
|                |         |          |       | 434/408      |
| 7,874,842 B2 * | 1/2011  | Beno     | ..... | B43L 1/10    |
|                |         |          |       | 434/408      |
| D665,851 S *   | 8/2012  | Davis    | ..... | D20/27       |
| D693,343 S *   | 11/2013 | Haller   | ..... | D14/374      |
| 8,627,589 B2 * | 1/2014  | Pitcher  | ..... | G09F 15/0012 |
|                |         |          |       | 40/785       |
| 8,808,006 B2 * | 8/2014  | Ureles   | ..... | G09F 15/0018 |
|                |         |          |       | 434/415      |
| D712,855 S *   | 9/2014  | Thompson | ..... | D14/126      |

FIG. 1 is an isometric view of a message board set showing my new design;  
FIG. 2 is a front elevational view thereof;  
FIG. 3 is a rear elevational view thereof;  
FIG. 4 is a left side elevational view thereof;  
FIG. 5 is a right elevational view thereof;  
FIG. 6 is a top plan view thereof;  
FIG. 7 is a bottom plan view thereof; and,  
FIG. 8 is an operational view showing the message board set mounted to a disabled vehicle.  
The broken lines in FIG. 8 illustrate a disabled vehicle, which is environment and forms no part of the claimed design. The broken lines in FIG. 3 represent portions of the message board set that form no part of the claimed design.

(Continued)

**1 Claim, 4 Drawing Sheets**



(56)

**References Cited**

U.S. PATENT DOCUMENTS

D718,731 S \* 12/2014 Lee ..... D14/126  
D738,332 S \* 9/2015 Kim ..... D14/126  
9,128,550 B2 \* 9/2015 Imada ..... G06F 3/041  
9,162,516 B2 \* 10/2015 Kang ..... B43L 1/00  
D744,035 S \* 11/2015 Nguyen ..... D19/113  
9,333,714 B2 \* 5/2016 Tunis, III ..... B43L 1/00  
D784,452 S \* 4/2017 Miller ..... D19/113  
D852,272 S \* 6/2019 Lim ..... D19/113  
10,391,811 B1 \* 8/2019 Geldard ..... B05D 5/02  
D911,441 S \* 2/2021 Pereira ..... D19/113  
D935,525 S \* 11/2021 Ji ..... D19/113  
2004/0244249 A1 \* 12/2004 Zheng ..... G09F 17/00  
40/610

OTHER PUBLICATIONS

Customize Your Own Sign posted by Smart Sign posted date Nov. 15, 2018, © Amazon, [online], [site visited Jan. 20, 2024]. Available from Internet, <https://www.amazon.com/Customize-Street-Symbol-SmartSign-Aluminum/dp/B07KKP9S75> (Year: 2018).\*

Magnetic Dry Erase Whiteboard posted by CWyctght posted date May 10, 2023, © Amazon, [online], [site visited Jan. 20, 2024]. Available from Internet, <https://www.amazon.com/CWyctght-Magnetic-Whiteboard-Refrigerator-Shopping/dp/B0C4SK9C9Q> (Year: 2023).\*

\* cited by examiner

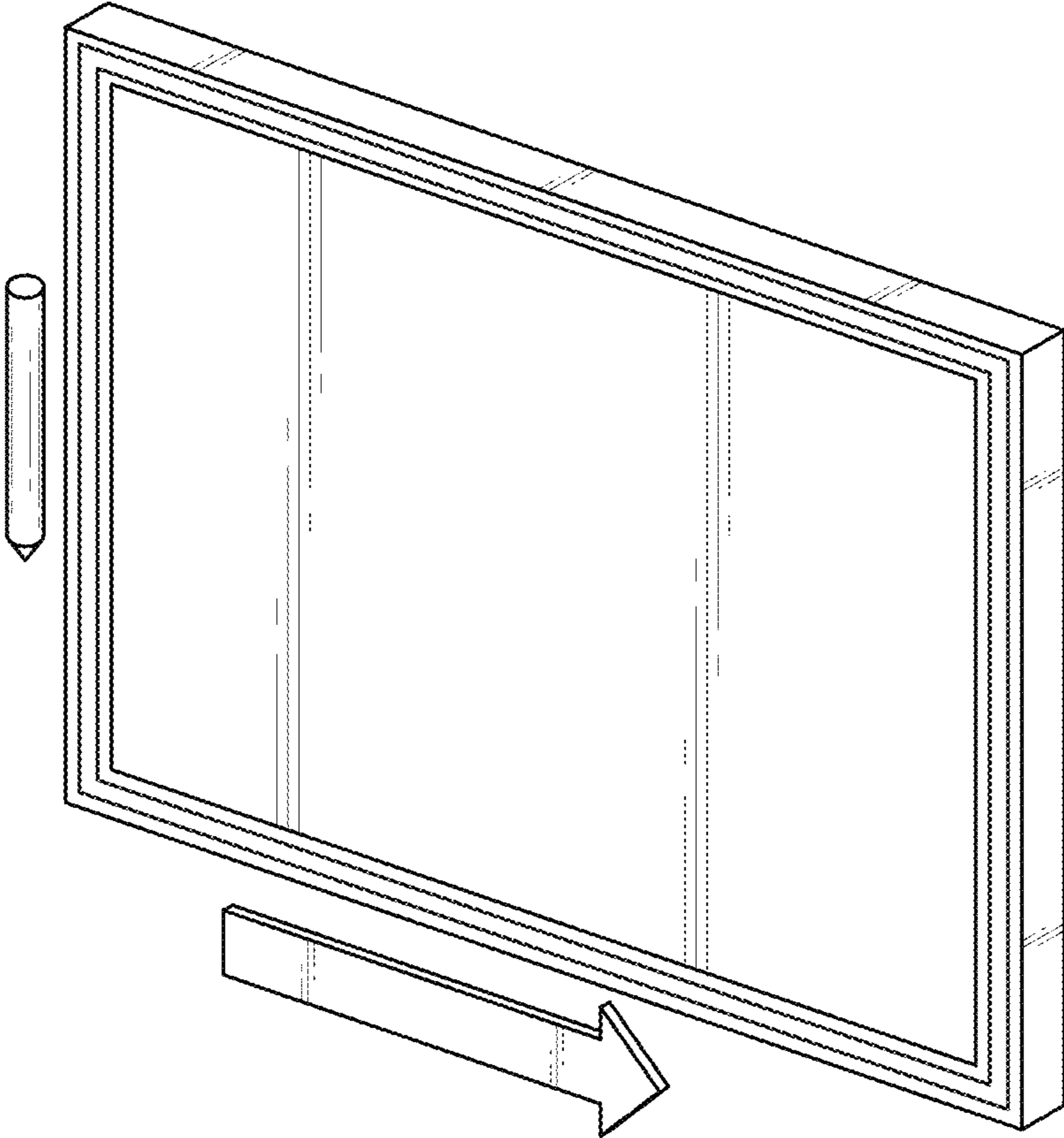


FIG. 1

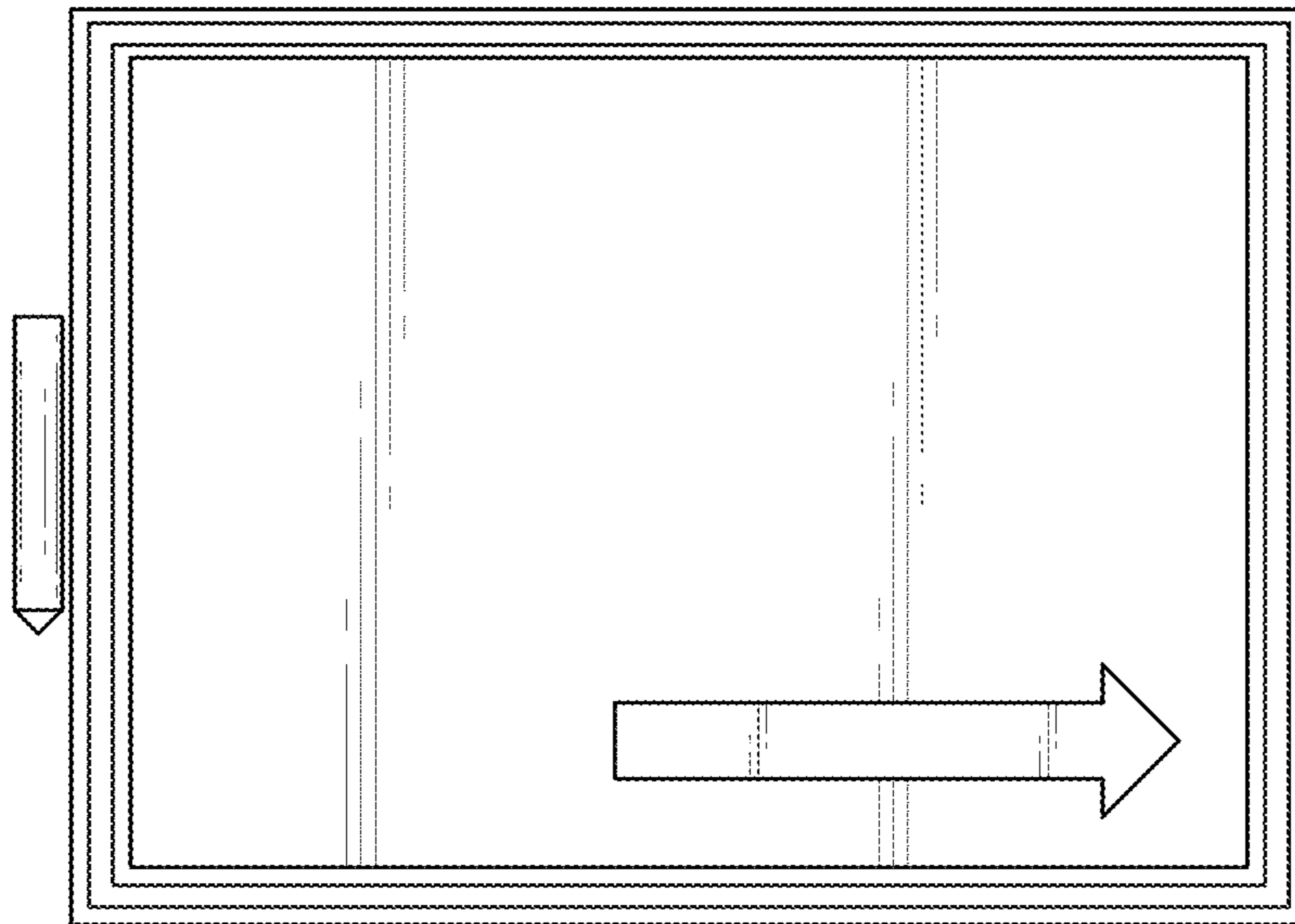


FIG. 2

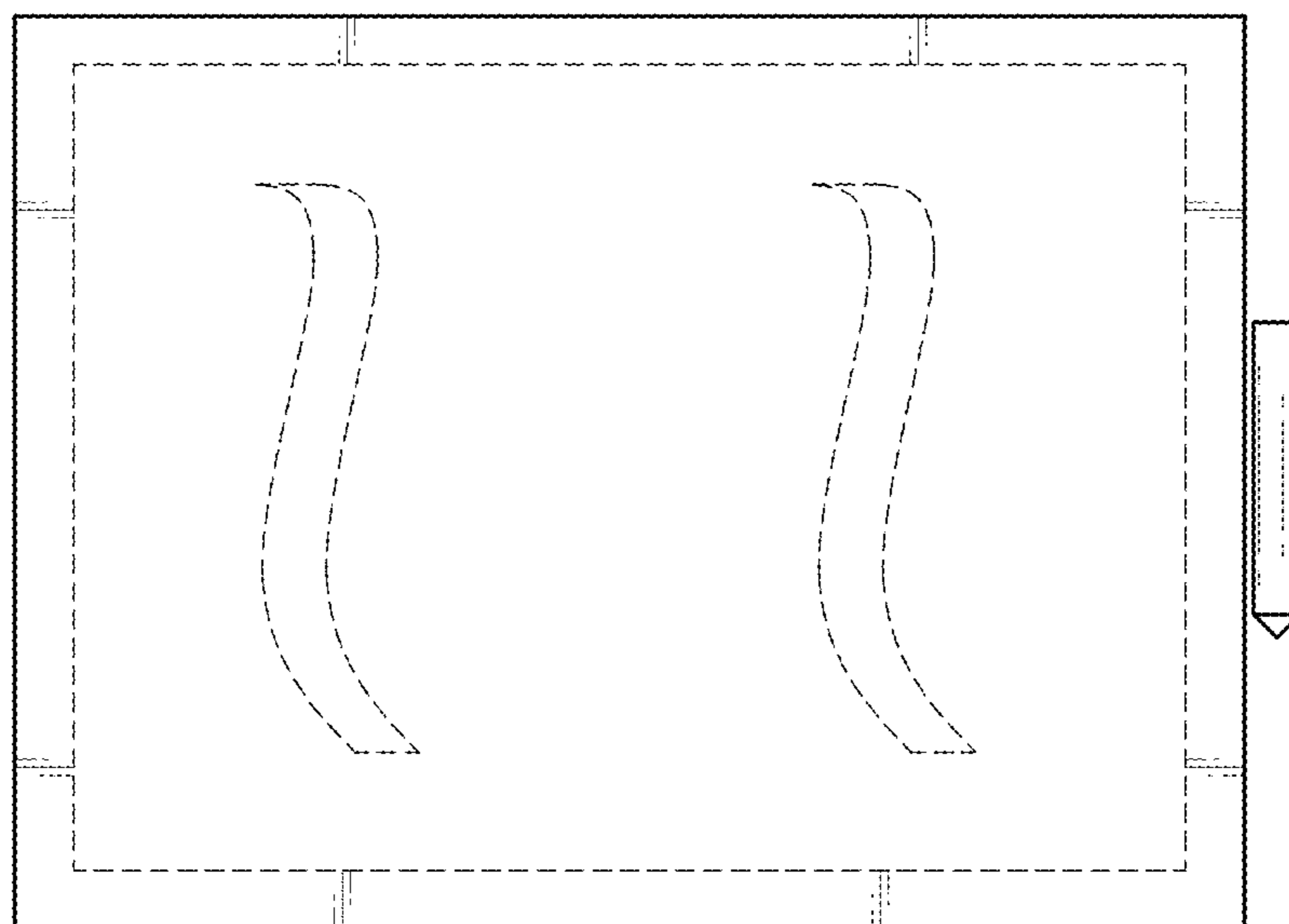


FIG. 3



FIG. 4

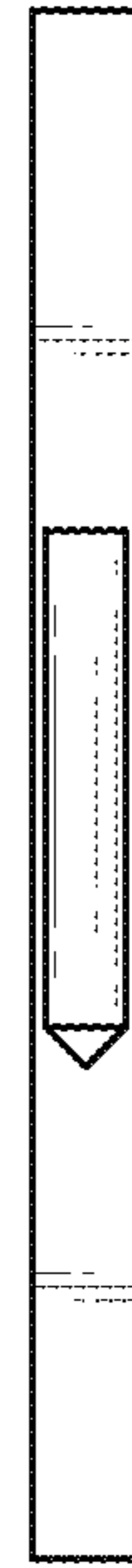


FIG. 5

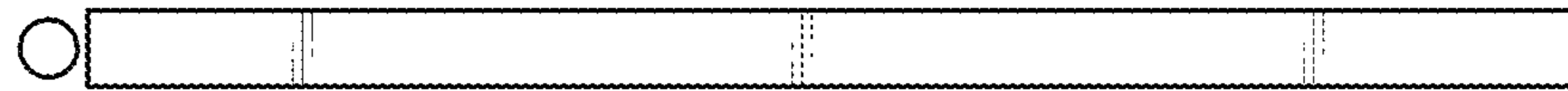


FIG. 6

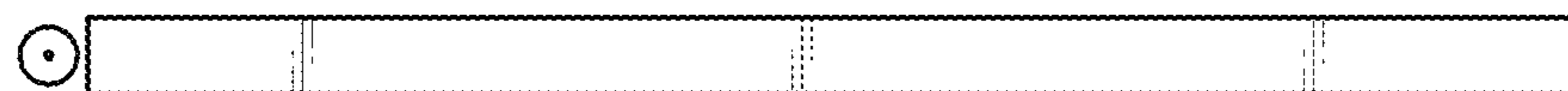


FIG. 7

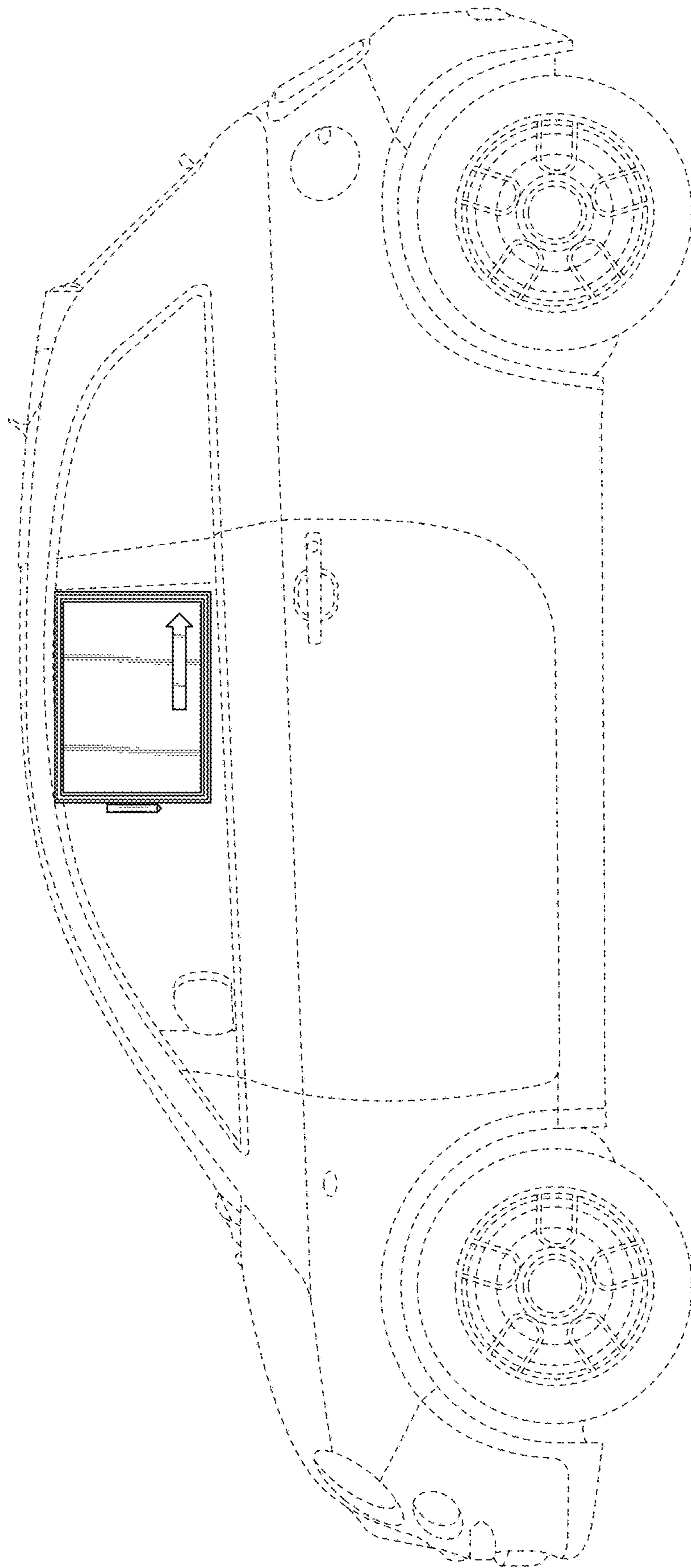


FIG. 8