

US0D1028082S

(12) **United States Design Patent** (10) **Patent No.:** **US D1,028,082 S**
Costas (45) **Date of Patent:** **** May 21, 2024**

- (54) **NOTE HOLDER**
- (71) Applicant: **Trophius Pty Ltd.**, Cremorne (AU)
- (72) Inventor: **Eric Costas**, Cremorne (AU)
- (73) Assignee: **Trophius Pty Ltd.**, Cremorne (AU)
- (**) Term: **15 Years**
- (21) Appl. No.: **29/826,947**
- (22) Filed: **Feb. 16, 2022**
- (51) **LOC (14) Cl.** **19-02**
- (52) **U.S. Cl.**
USPC **D19/91**
- (58) **Field of Classification Search**
USPC D19/65, 75, 86, 88, 90, 91; D6/300, 310,
D6/311, 312, 682, 700, 701; D3/247,
D3/276; D14/224, 224.1, 217, 230, 239,
D14/251, 252, 253, 432, 433, 434, 439,
D14/440, 447, 451, 452, 457; D8/349,
D8/354, 355, 373, 380; D16/242, 244,
D16/245; D12/415; D23/231
CPC A47B 23/02; A47B 23/042
See application file for complete search history.

(56) **References Cited**

U.S. PATENT DOCUMENTS

2,136,701 A * 11/1938 Manierre A47B 23/04
248/445
D163,824 S * 7/1951 Marx D6/310
3,099,102 A * 7/1963 Mitsuyasu A47B 21/045
248/442.2
4,127,253 A * 11/1978 Ben-Lea A47B 19/10
248/453
D259,114 S * 5/1981 Cyrell D8/355
D279,482 S * 7/1985 Ermanski D19/91
D331,332 S * 12/1992 Farmer D19/88
D416,691 S * 11/1999 Logan, Jr. D6/312
D438,389 S * 3/2001 Ross D6/312
D498,554 S * 11/2004 Agresto, Sr. D19/88

D765,996 S * 9/2016 Dolar A47G 1/24
D6/312
2014/0091193 A1* 4/2014 Simon F16M 11/105
248/458
2022/0133032 A1* 5/2022 Smith A47B 23/025
248/445

OTHER PUBLICATIONS

Note Tower posted by NoteTower posted date Jan. 10, 2016, © Amazon, [online], [site visited Sep. 7, 2023]. Available from Internet, <https://www.amazon.com/NoteTower-Desktop-Pro-Black-Lightweight/> (Year: 2016).*

* cited by examiner

Primary Examiner — Garth Rademaker
Assistant Examiner — Laura H Yu
(74) *Attorney, Agent, or Firm* — Banner & Witcoff, Ltd.

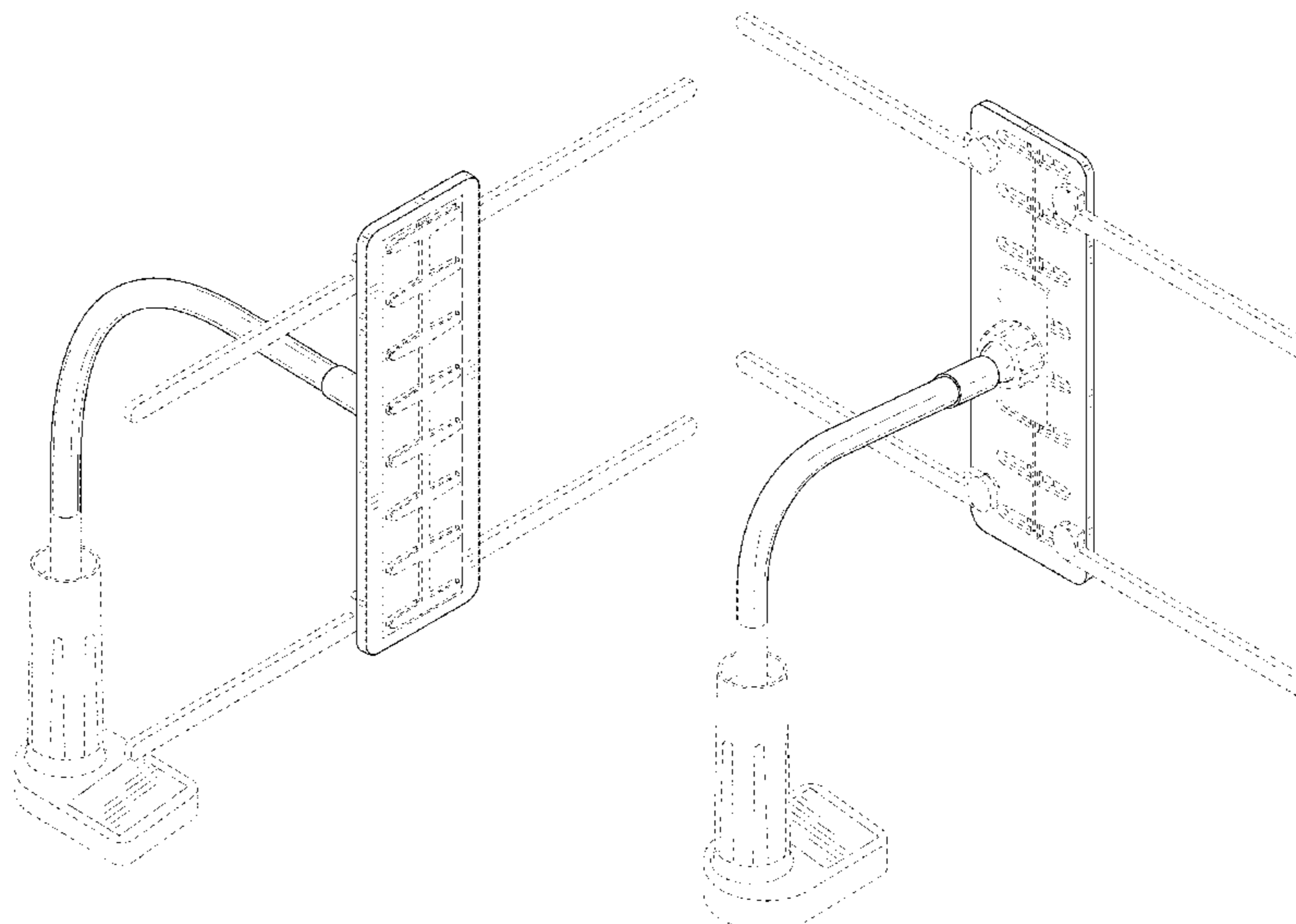
(57) **CLAIM**

The ornamental design for a note holder, as shown and described.

DESCRIPTION

FIG. 1 is a front perspective view of a note holder showing my new design;
FIG. 2 is a rear perspective view thereof;
FIG. 3 is a front view thereof;
FIG. 4 is a rear view thereof;
FIG. 5 is a side view thereof;
FIG. 6 is an opposite side view thereof;
FIG. 7 is a top view thereof; and,
FIG. 8 is a bottom view thereof.
The uneven-length broken lines immediately adjacent to the shaded areas on the front face of the design, the stand of the design, and the base of the design define the bounds of the claimed design and form no part thereof. The even-length broken lines depicting the remainder of the note holder form no part of the claimed design.

1 Claim, 8 Drawing Sheets



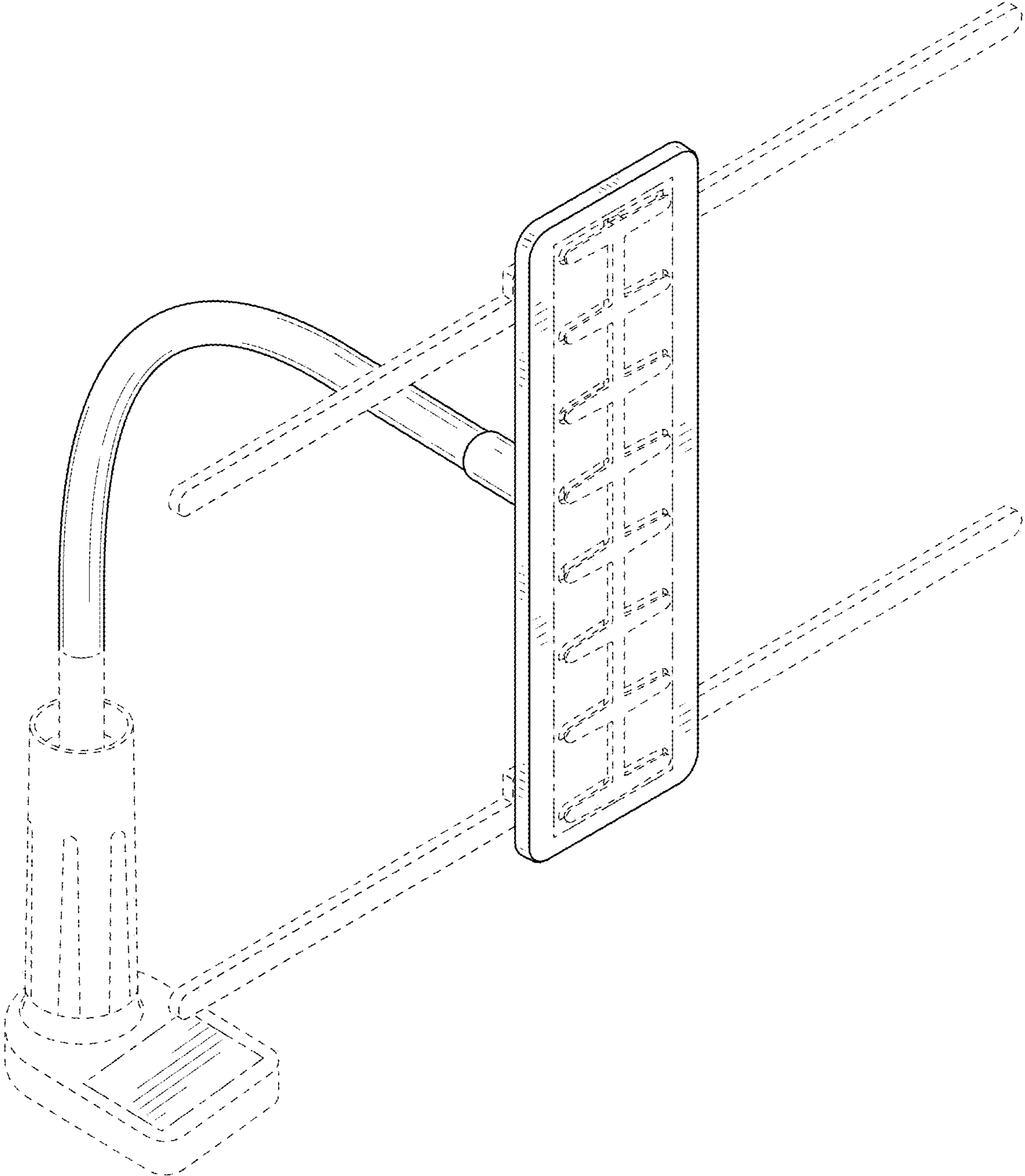


FIG. 1

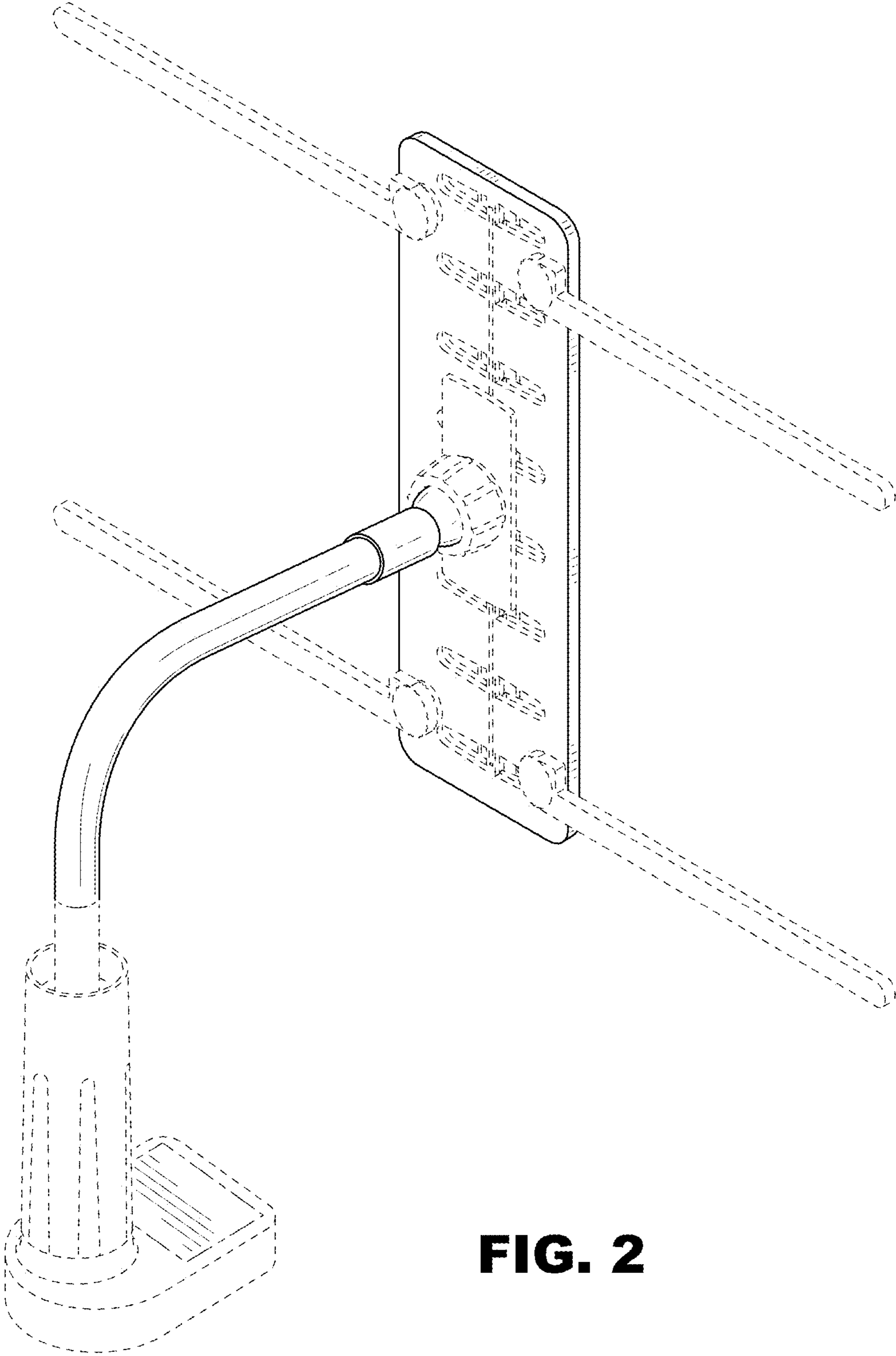


FIG. 2

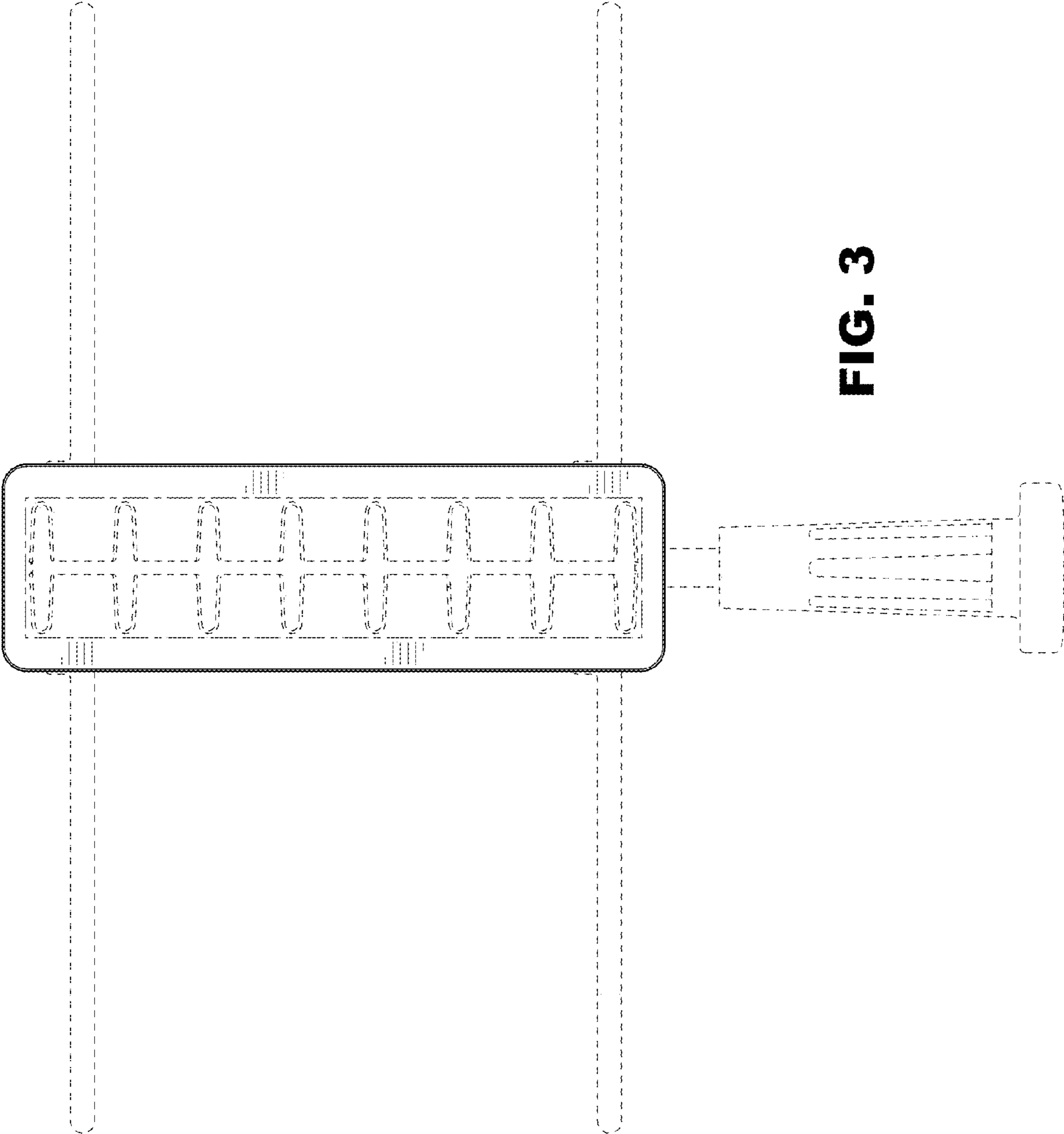


FIG. 3

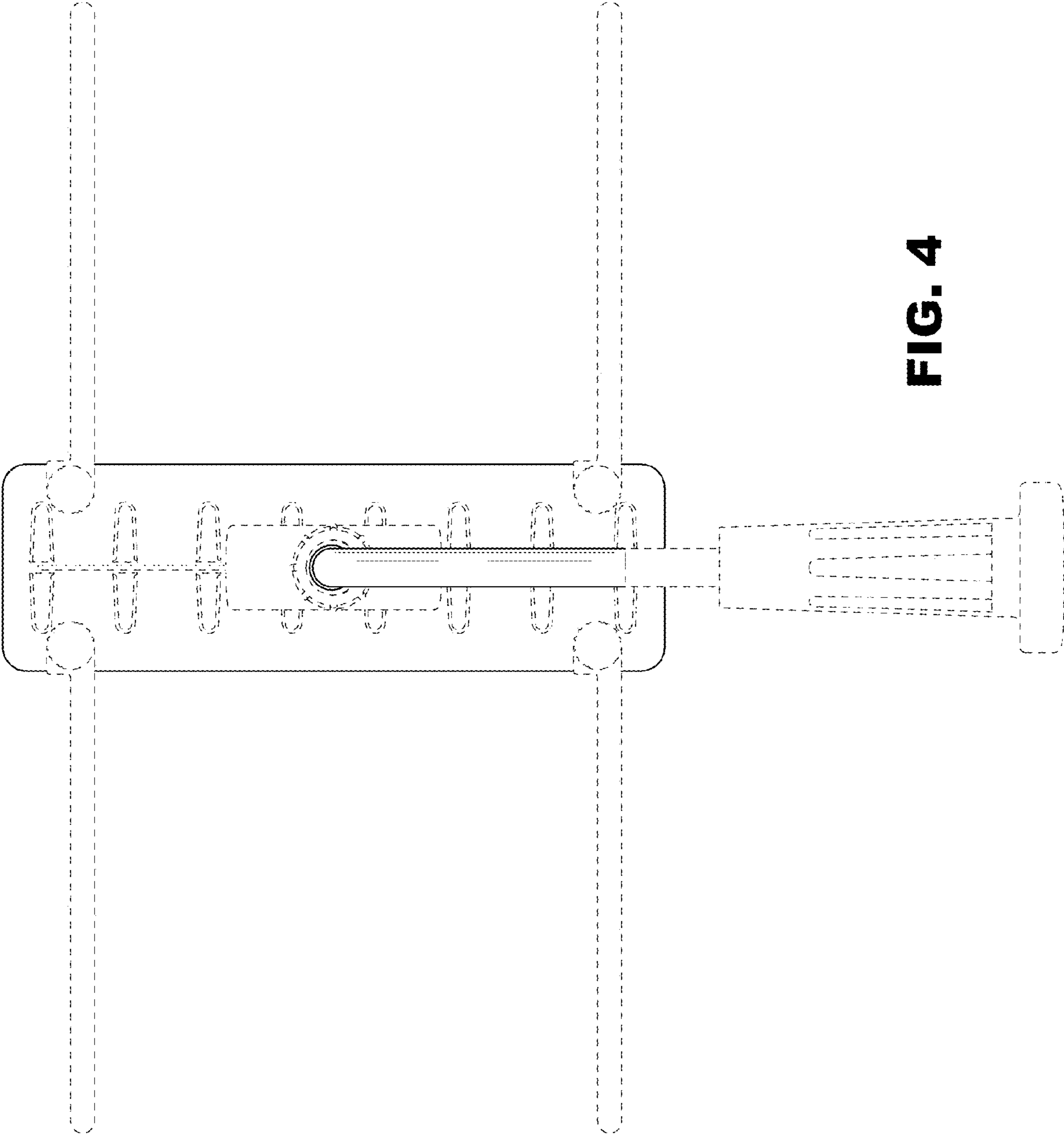


FIG. 4

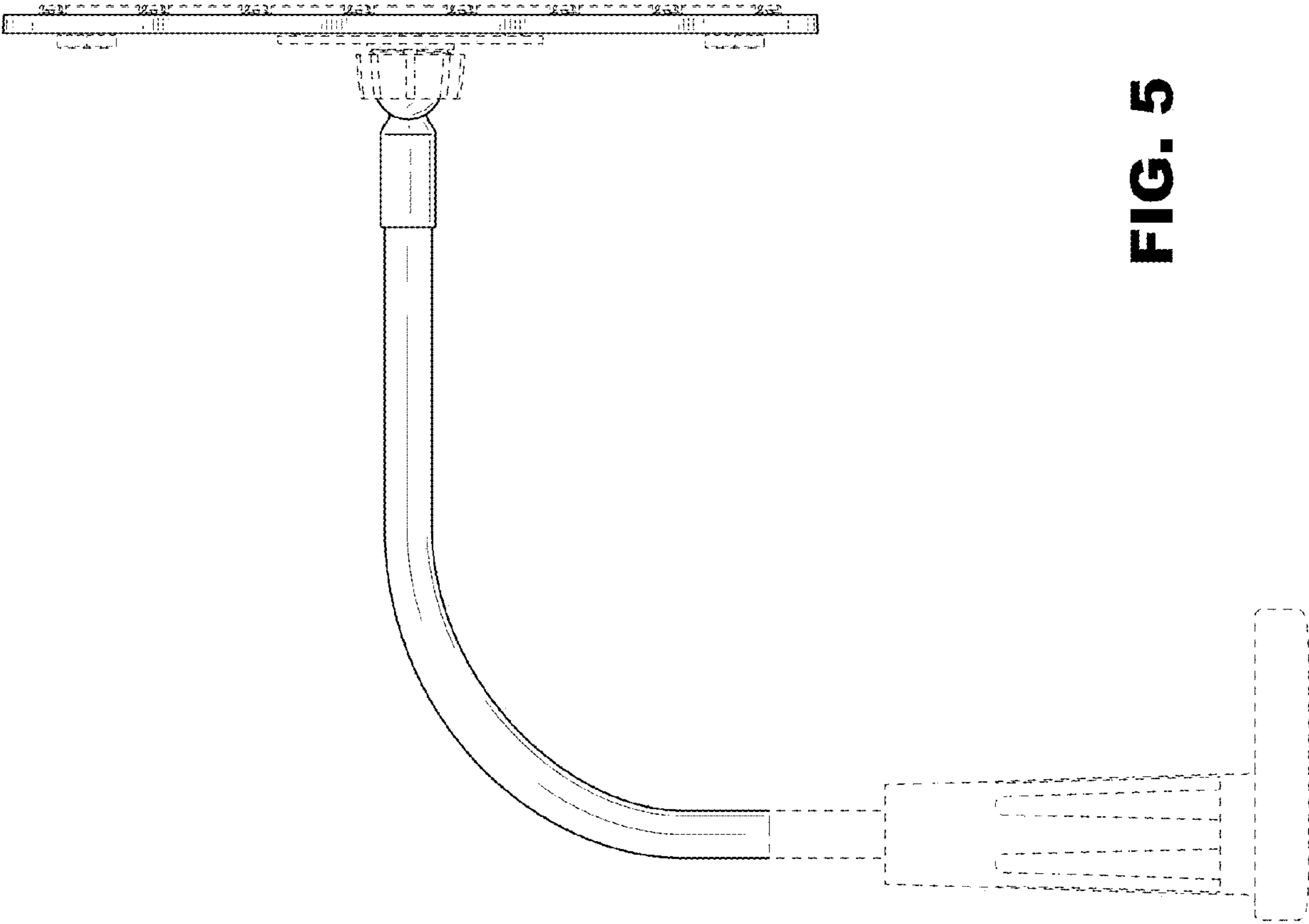


FIG. 5

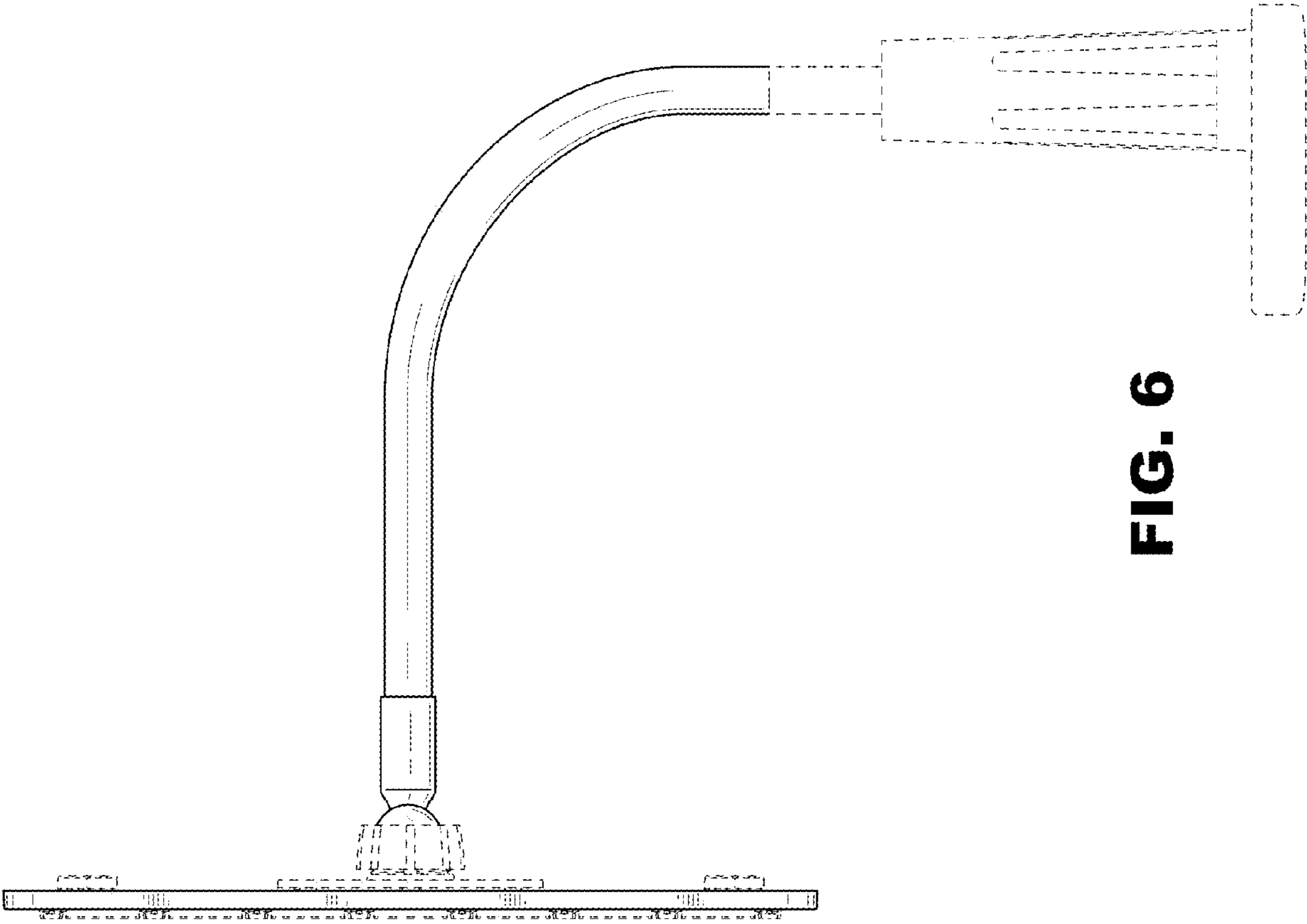


FIG. 6

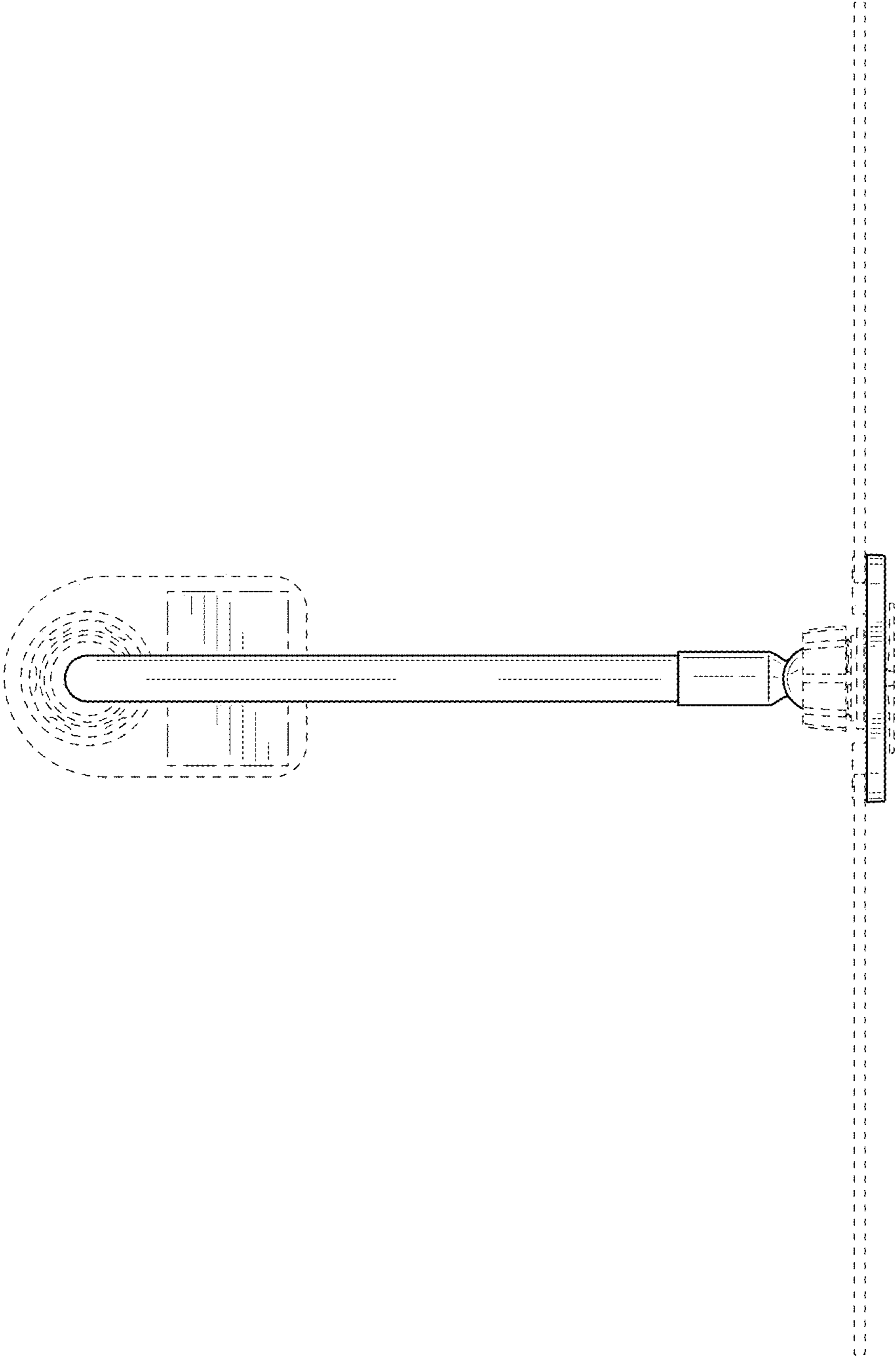


FIG. 7

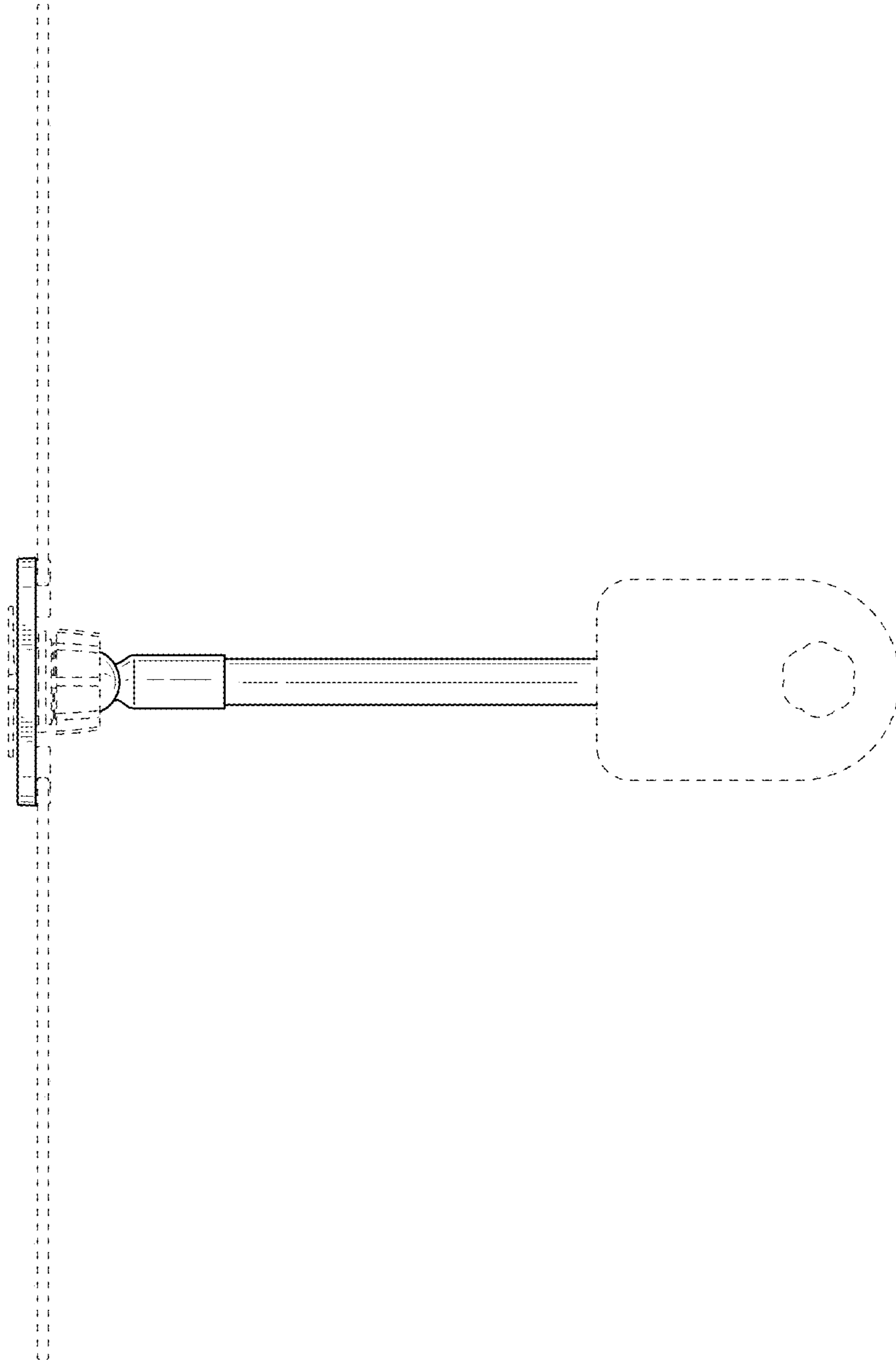


FIG. 8