



US0D1028081S

(12) **United States Design Patent** (10) **Patent No.:** **US D1,028,081 S**  
**Blakeny, II** (45) **Date of Patent:** **\*\* May 21, 2024**

(54) **COMBINED PEN AND PEN STAND**  
(71) Applicant: **Douglas Shawn Blakeny, II**, Vienna, OH (US)  
(72) Inventor: **Douglas Shawn Blakeny, II**, Vienna, OH (US)  
(73) Assignee: **DAMN MOMENTS LLC**, Vienna, OH (US)  
(\*\*) Term: **15 Years**  
(21) Appl. No.: **29/858,267**  
(22) Filed: **Oct. 28, 2022**  
(51) **LOC (14) Cl.** ..... **19-06**  
(52) **U.S. Cl.**  
USPC ..... **D19/136; D19/84; D21/405**  
(58) **Field of Classification Search**  
USPC ..... D19/77, 80–85, 135–137, 123, 158, 159, D19/189; D14/342; D21/324, 333, 394, D21/402, 405, 812  
CPC ..... A61L 2/00; B65D 25/14; A63H 33/00; G06F 3/03545; B43K 29/005  
See application file for complete search history.

CN 305428147 \* 11/2019  
CN 305595639 \* 2/2020  
CN 305625737 \* 2/2020  
CN 305743994 \* 4/2020  
CN 306802580 \* 9/2021

\* cited by examiner

*Primary Examiner* — Richard Edgar  
*Assistant Examiner* — Katherine E Morris  
(74) *Attorney, Agent, or Firm* — White-Welker & Welker, LLC; Matthew T. Welker, Esq.

(57) **CLAIM**

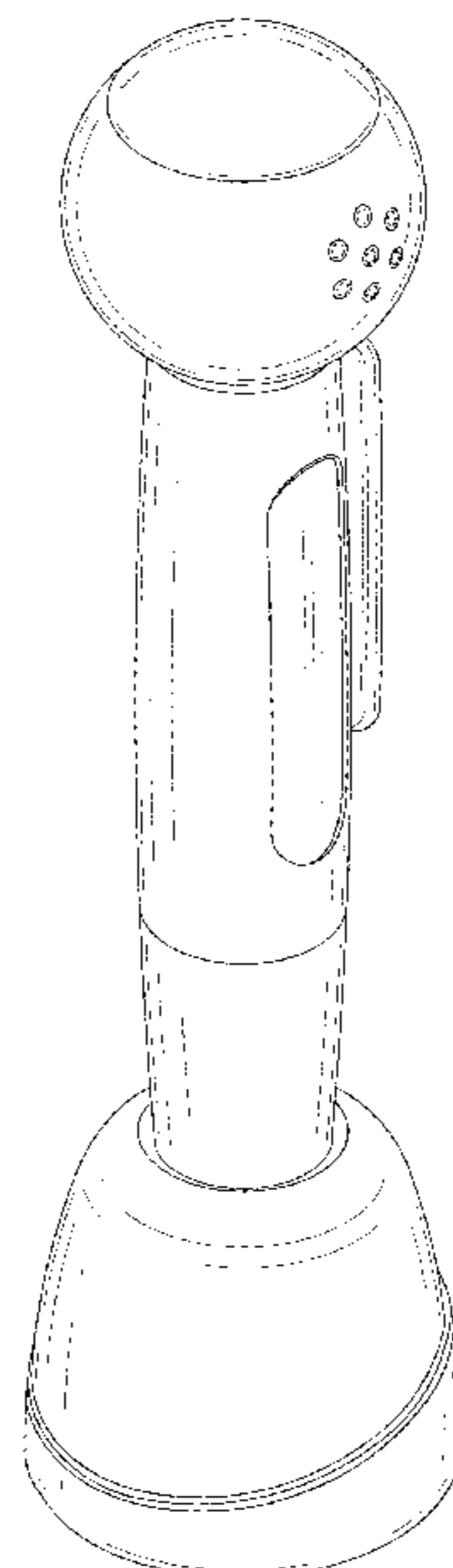
The ornamental design for a combined pen and pen stand, as shown and described.

**DESCRIPTION**

FIG. 1 is a perspective view of the combined pen and pen stand of the present invention shown with the pen inserted into the pen stand.  
FIG. 2 is a left side plan view of the combined pen and pen stand of the present invention.  
FIG. 3 is a right side plan view of the combined pen and pen stand of the present invention.  
FIG. 4 is a front end plan view of the combined pen and pen stand of the present invention.  
FIG. 5 is a back end plan view of the combined pen and pen stand of the present invention.  
FIG. 6 is a top plan view of the combined pen and pen stand of the present invention.  
FIG. 7 is a bottom plan view of the combined pen and pen stand of the present invention; and,  
FIG. 8 is a perspective view of the combined pen and pen stand of the present invention shown with the pen removed from the pen stand.  
The broken lines in the drawings depict portions of the combined pen and pen stand that form no part of the claimed design.

(56) **References Cited**  
**U.S. PATENT DOCUMENTS**  
D595,771 S \* 7/2009 Oas ..... D19/906  
D687,888 S \* 8/2013 Andre ..... D19/184  
D841,736 S \* 2/2019 Zhong ..... D19/142  
D851,173 S \* 6/2019 Zhong ..... D19/142  
D884,787 S \* 5/2020 Xu ..... D19/906  
D962,345 S \* 8/2022 Li ..... D19/142  
**FOREIGN PATENT DOCUMENTS**  
CN 303265694 \* 7/2015  
CN 304869258 \* 10/2018

**1 Claim, 7 Drawing Sheets**



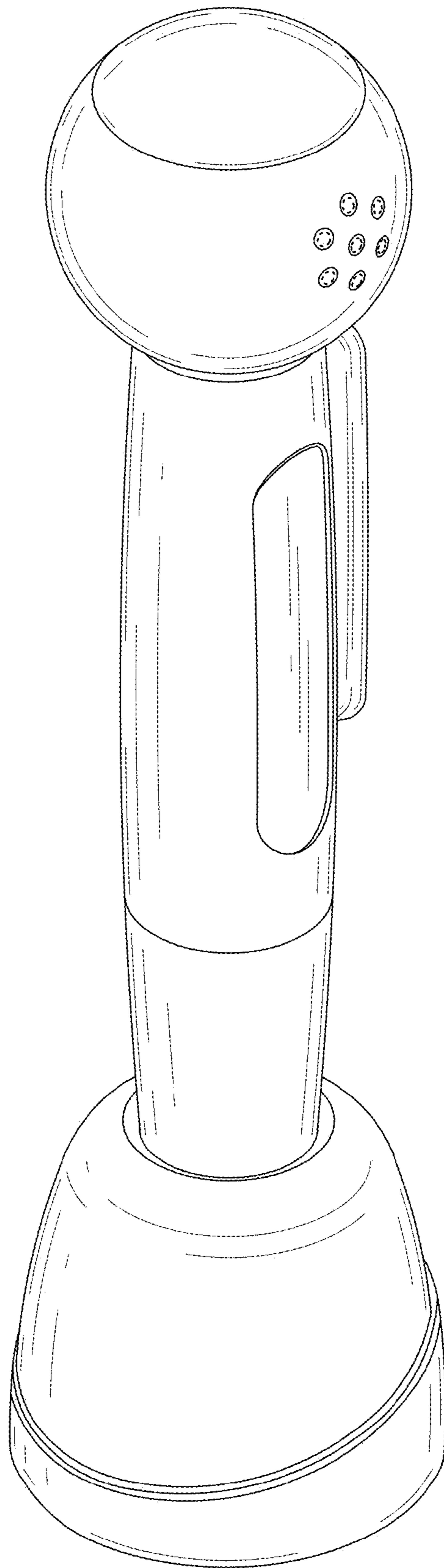


FIG. 1

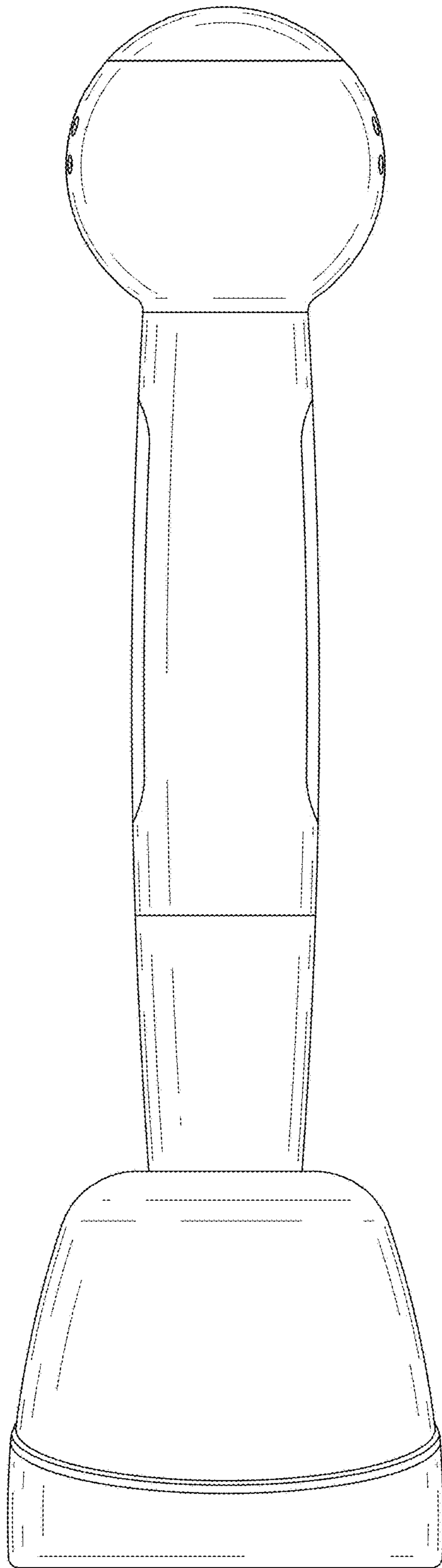


FIG. 2

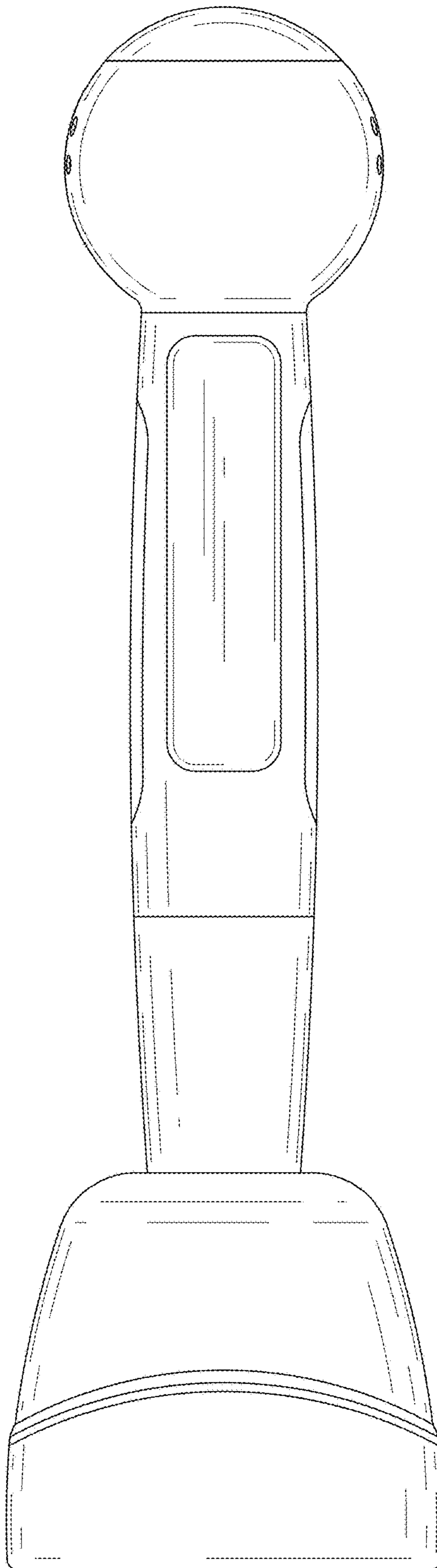


FIG. 3

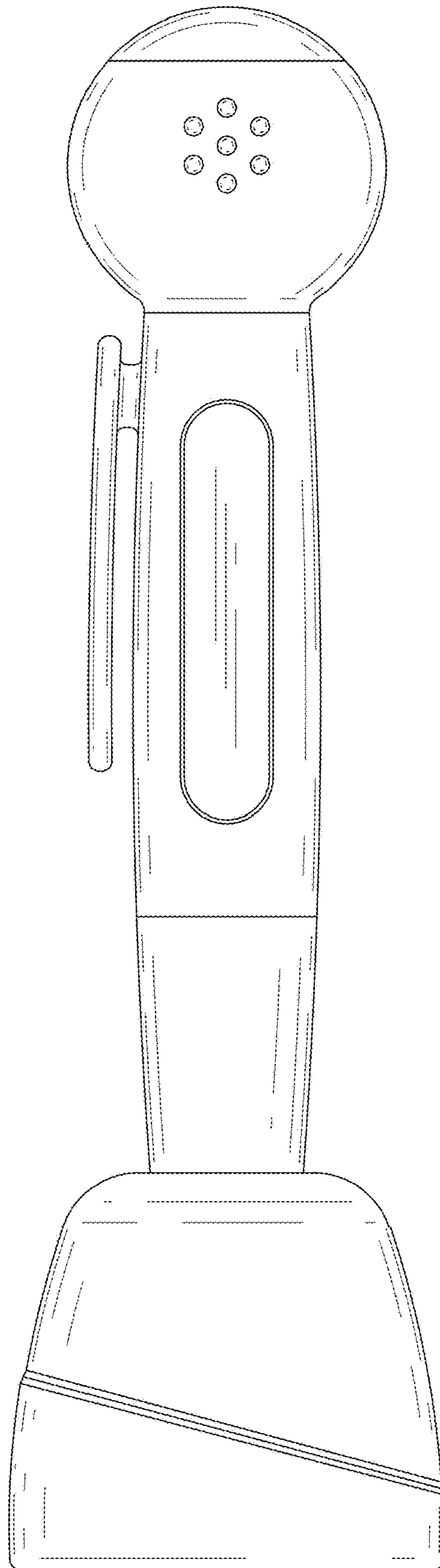


FIG. 4

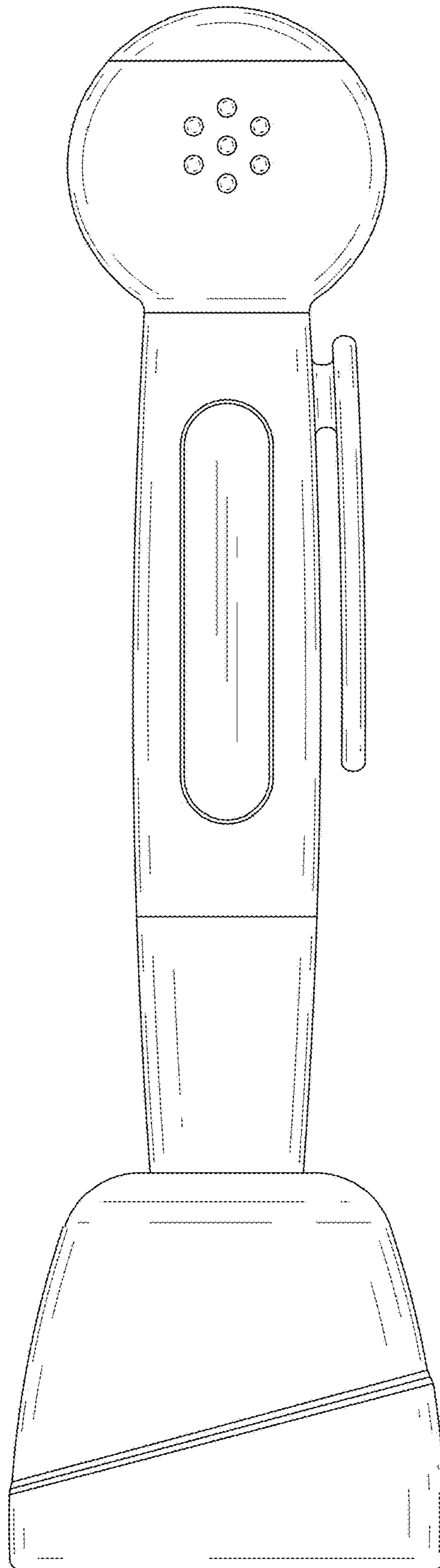


FIG. 5

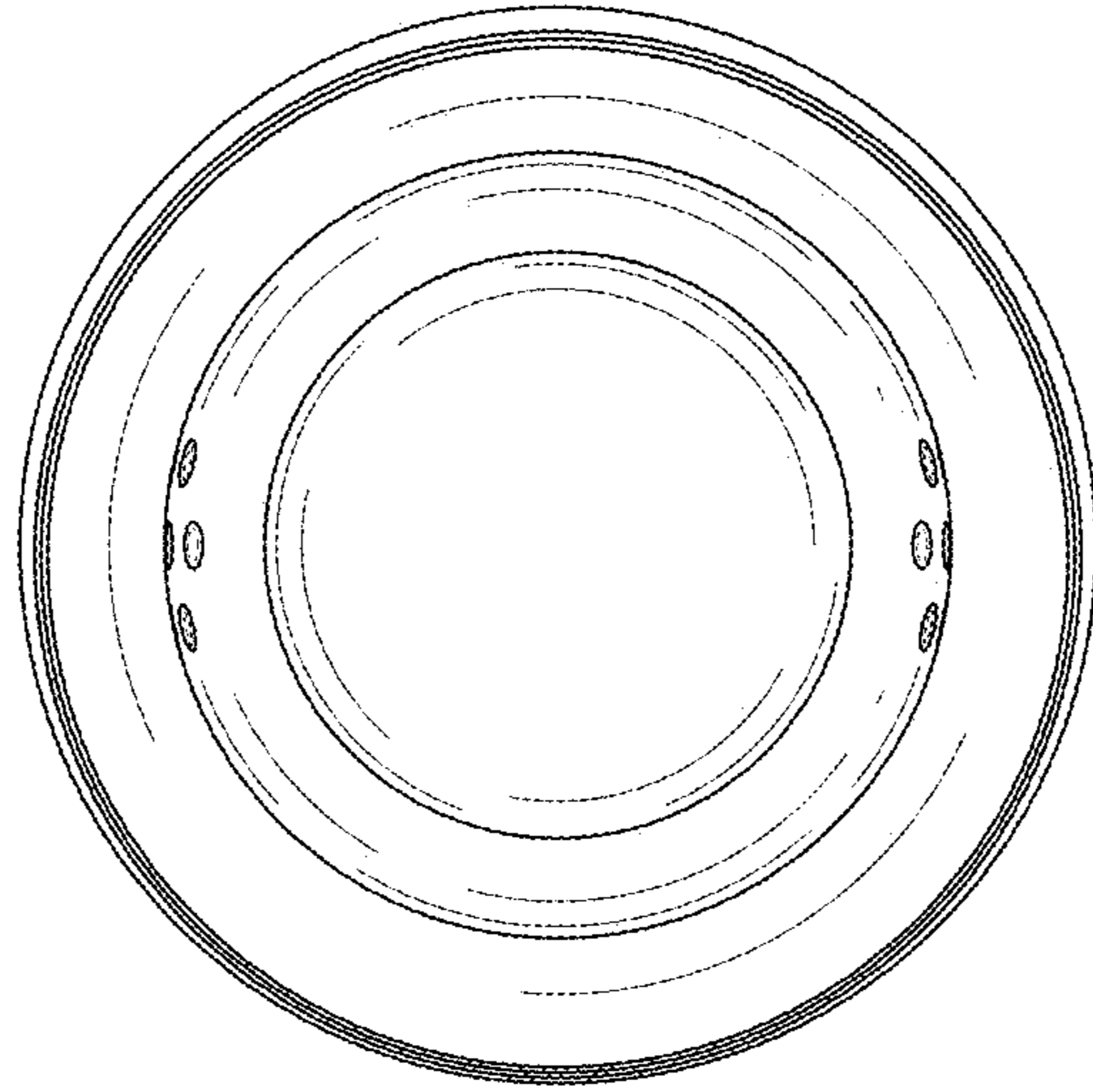


FIG. 6

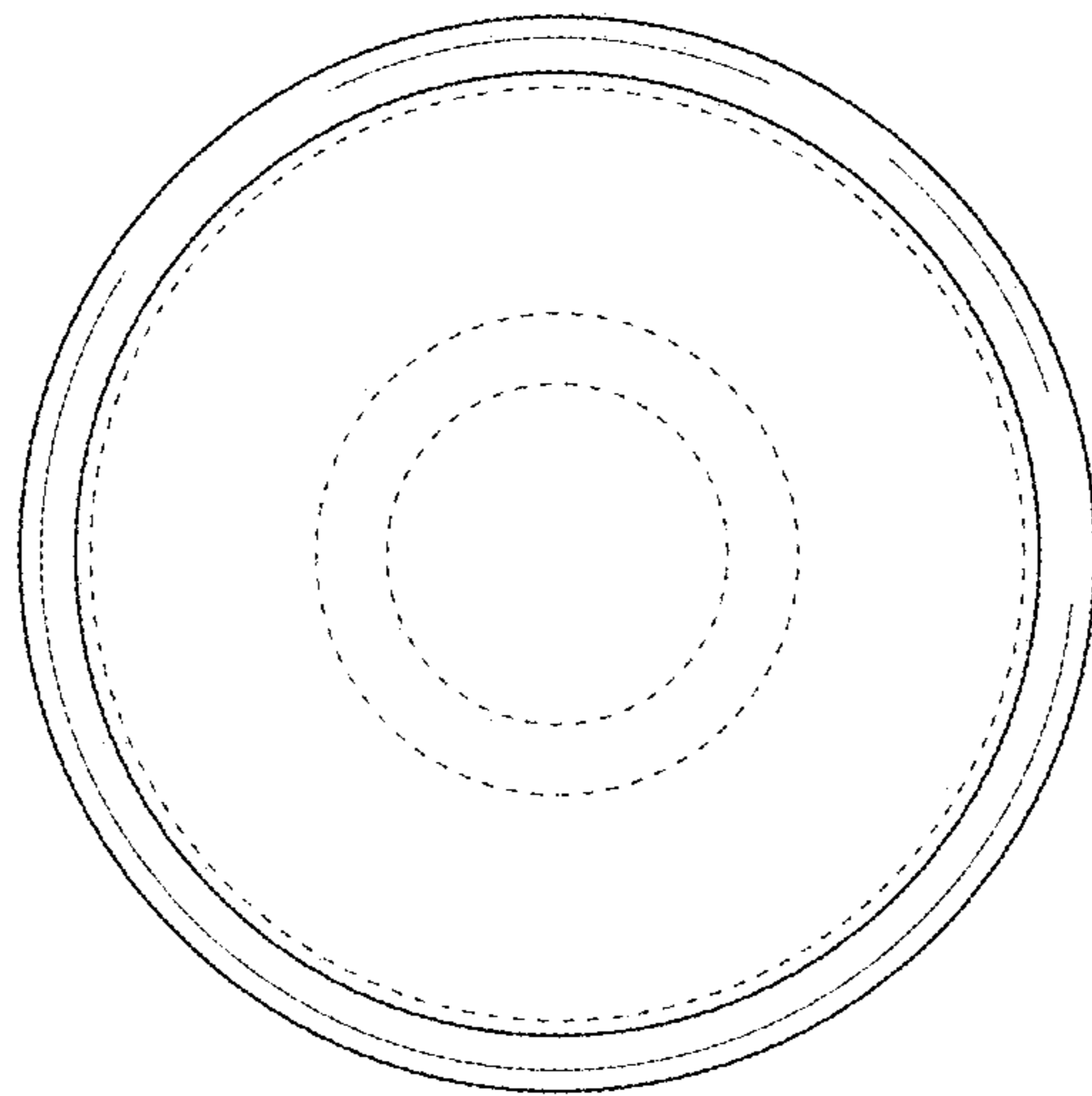


FIG. 7

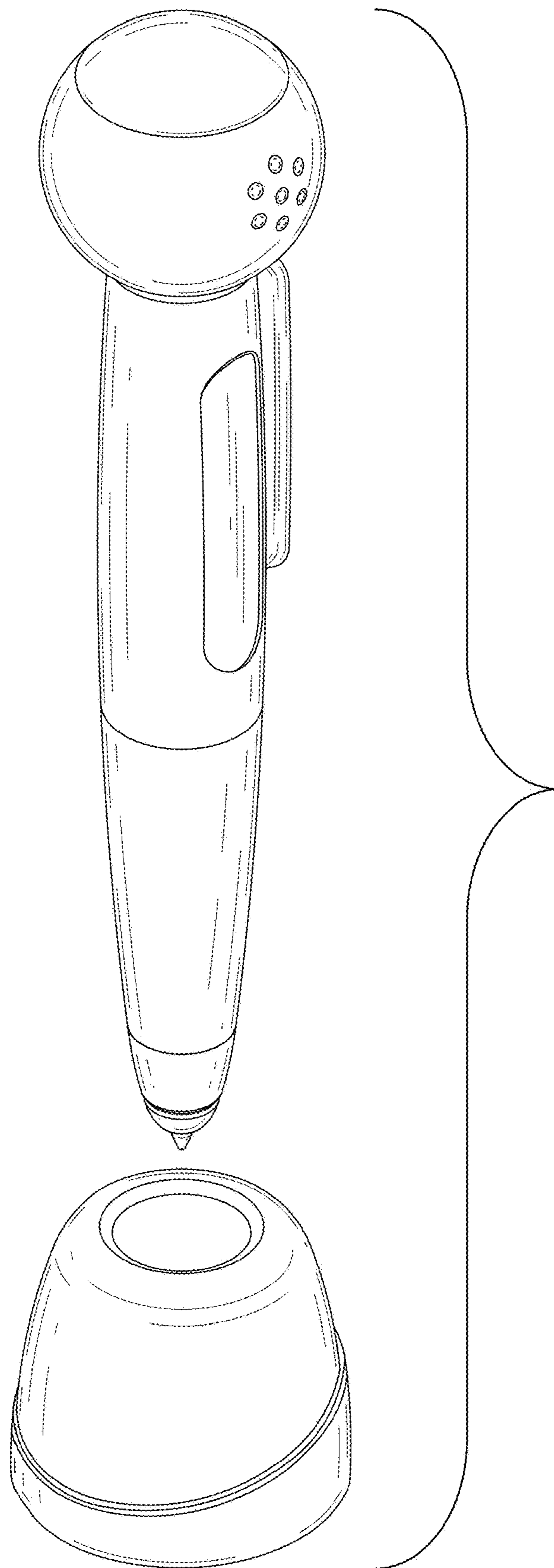


FIG. 8