



US0D1028025S

(12) **United States Design Patent**
Guthmiller

(10) **Patent No.:** **US D1,028,025 S**

(45) **Date of Patent:** **** May 21, 2024**

(54) **GOLD PROCESSING WASH SYSTEM**

(71) Applicant: **Allan Guthmiller**, Henderson, NV (US)

(72) Inventor: **Allan Guthmiller**, Henderson, NV (US)

(**) Term: **15 Years**

(21) Appl. No.: **29/866,117**

(22) Filed: **Aug. 29, 2022**

(51) **LOC (14) Cl.** **15-09**

(52) **U.S. Cl.**
USPC **D15/147**; D15/21

(58) **Field of Classification Search**

USPC D15/10, 21, 33, 147
CPC B07B 13/16; B07B 13/00; B07B 1/46;
B07B 1/00; B07B 1/4609; B07B 1/42;
B07B 1/36; B07B 1/48; B07B 1/28;
B07B 2230/01; B07B 2201/04; B01D
33/41; B01D 33/0376; B03B 1/04; B03B
1/00; B03B 9/00; C22B 11/00; C22B
11/04; C22B 11/08

See application file for complete search history.

(56) **References Cited**

U.S. PATENT DOCUMENTS

4,319,985	A *	3/1982	Hibbard	B03B 11/00	209/44
4,578,163	A	3/1986	Kunter			
4,597,791	A	7/1986	Siddall			
5,341,939	A *	8/1994	Aitchison	B07B 1/42	209/404
D377,182	S *	1/1997	Simpson	D15/147	
6,216,367	B1 *	4/2001	Tubbs	B03B 5/62	209/477
6,530,482	B1 *	3/2003	Wiseman	B01D 33/37	209/253
6,799,681	B1 *	10/2004	Warren	B03B 5/26	209/268
6,863,183	B2 *	3/2005	Schulte	B07B 1/4663	210/314

6,868,972	B2 *	3/2005	Seyffert	B01D 33/37	209/314
7,571,817	B2 *	8/2009	Scott	B07B 13/18	209/412
7,581,647	B2 *	9/2009	Grichar	B07B 1/46	209/412
7,584,858	B2	9/2009	Barrett et al.			

(Continued)

OTHER PUBLICATIONS

Allan Guthmiller, Desert Gold Wash Plant Innovations 2021, Mar. 9, 2021, retrieved from internet, retrieved on Aug. 29, 2022; <URL: <https://youtu.be/NVBiWgQ0XtU>>.

(Continued)

Primary Examiner — Mark A Goodwin

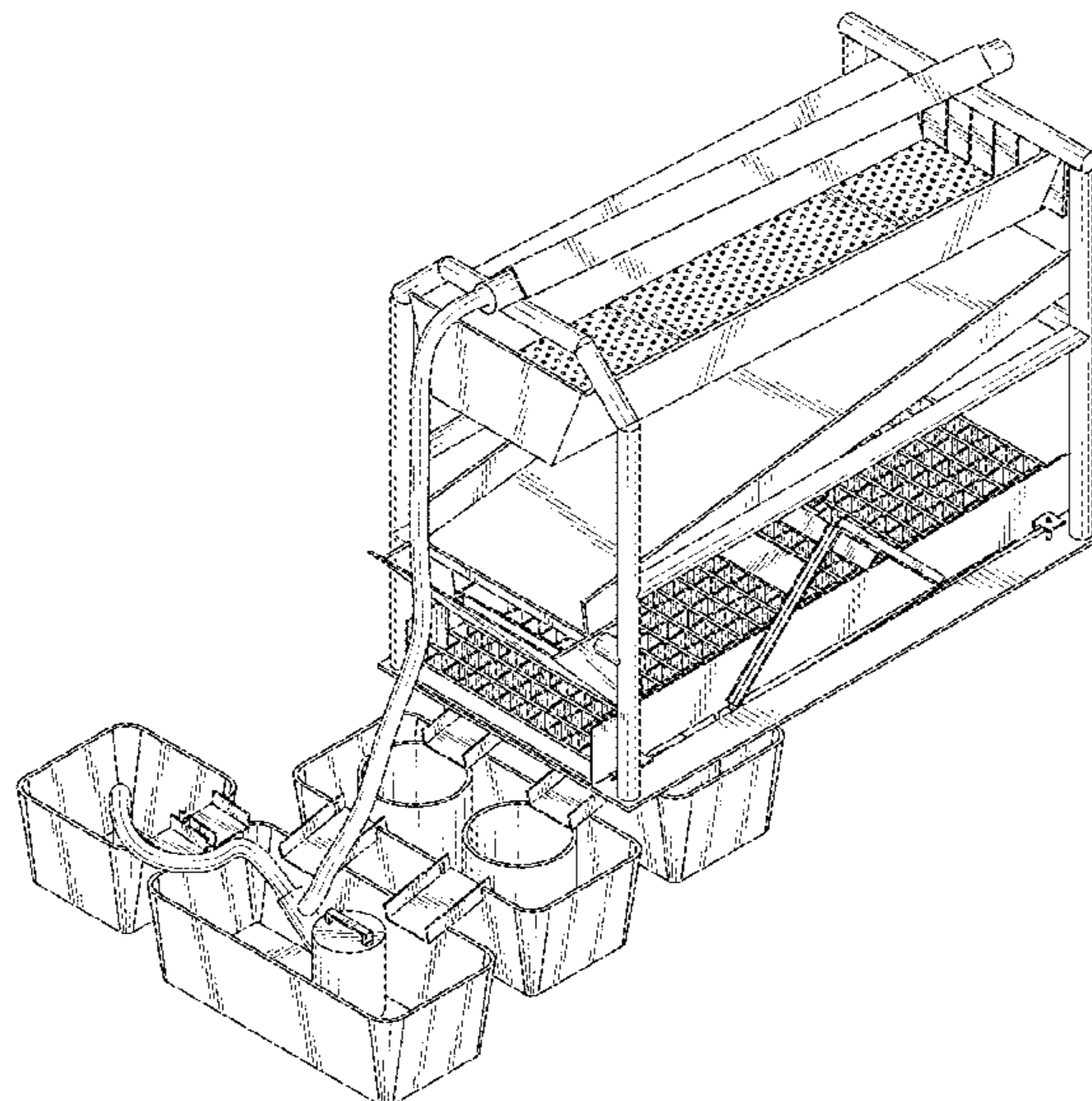
(57) **CLAIM**

The ornamental design for a gold processing wash system, as shown and described.

DESCRIPTION

FIG. 1 is a top front perspective view of gold processing wash system showing my new design; FIG. 2 is a top front perspective view thereof; FIG. 3 is a bottom front perspective view thereof; FIG. 4 is a bottom front perspective view thereof; FIG. 5 is a top rear perspective view thereof; FIG. 6 is a top rear perspective thereof; FIG. 7 is a bottom rear perspective view thereof; FIG. 8 is a bottom rear perspective view thereof; FIG. 9 is a front elevational view thereof; FIG. 10 is a rear elevational view thereof; FIG. 11 is a right elevational view thereof; FIG. 12 is a left elevational view thereof; FIG. 13 is a top plan view thereof; FIG. 14 is a bottom plan view thereof; and, FIG. 15 is a detailed view taken along line 15-15 in FIG. 6.

1 Claim, 15 Drawing Sheets



(56)

References Cited

U.S. PATENT DOCUMENTS

8,556,083 B2 * 10/2013 Burnett B07B 1/46
209/315
8,869,986 B2 * 10/2014 Bailey B07B 1/4609
209/233
8,910,797 B2 * 12/2014 Gillespie B07B 4/08
209/477
D726,002 S * 4/2015 Amundson D8/499
D728,630 S * 5/2015 Vetter D15/21
D732,095 S * 6/2015 Infantino B07B 13/10
D15/147
9,079,222 B2 7/2015 Burnett
D736,287 S * 8/2015 Vetter D15/147
D736,842 S * 8/2015 Vetter D15/147
D739,886 S * 9/2015 Vetter D15/147
D768,745 S * 10/2016 Vetter D15/147
D776,722 S * 1/2017 Weaver D15/147
D818,510 S * 5/2018 Bell D15/147
D854,066 S * 7/2019 Colgrove B07B 1/48
D15/147
D890,236 S * 7/2020 Colgrove D15/147
10,711,545 B2 7/2020 Babri
11,052,427 B2 * 7/2021 Colgrove B07B 1/4618

2003/0127375 A1 * 7/2003 Gribble B01D 29/05
210/101
2005/0035033 A1 * 2/2005 Adams B32B 37/1292
209/392
2010/0270216 A1 * 10/2010 Burnett B01D 33/41
209/606

OTHER PUBLICATIONS

Allan Guthmiller, Wash Plant Q&A and Chunky Gold Strike !!, May 11, 2021, retrieved from internet, retrieved on Aug. 29, 2022; <URL: <https://www.youtube.com/watch?v=XHI4TrW5gf4>>.
Allan Guthmiller, Gold Nuggets !!—Wash Plant Updates, Nov. 3, 2021, retrieved from internet, retrieved on Aug. 29, 2022; <URL: https://www.youtube.com/watch?v=3U_GQi0Xi_4>.
Allan Guthmiller, Gold Rattler—Desert Wash Plant—New !!, May 19, 2022, retrieved from internet, retrieved on Aug. 29, 2022; <URL: <https://www.youtube.com/watch?v=3xLrOrDDbgc>>.
Keene Engineering, Products, Retrieved from Internet, Retrieved on Aug. 29, 2022 <URL: <https://www.keene.store/mmm5/merchant.mvc?Screen=VNAV>>.
Royal Manufacturing, Drywashers & Accessories, Retrieved from Internet, Retrieved on Aug. 29, 2022 URL: <https://www.royalmfgind.com/product-category/drywashers-accessories/>>.

* cited by examiner

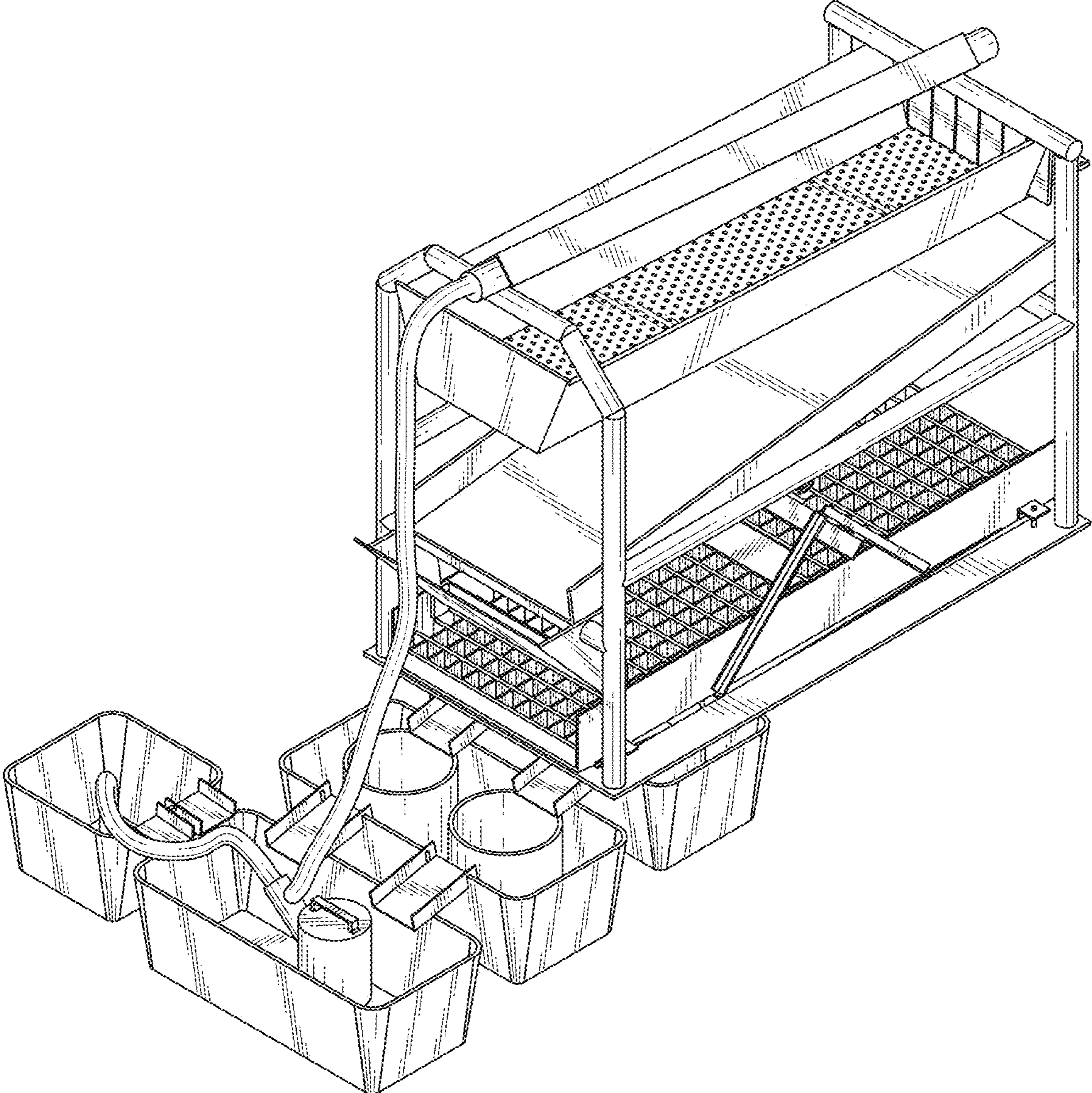


FIG.1

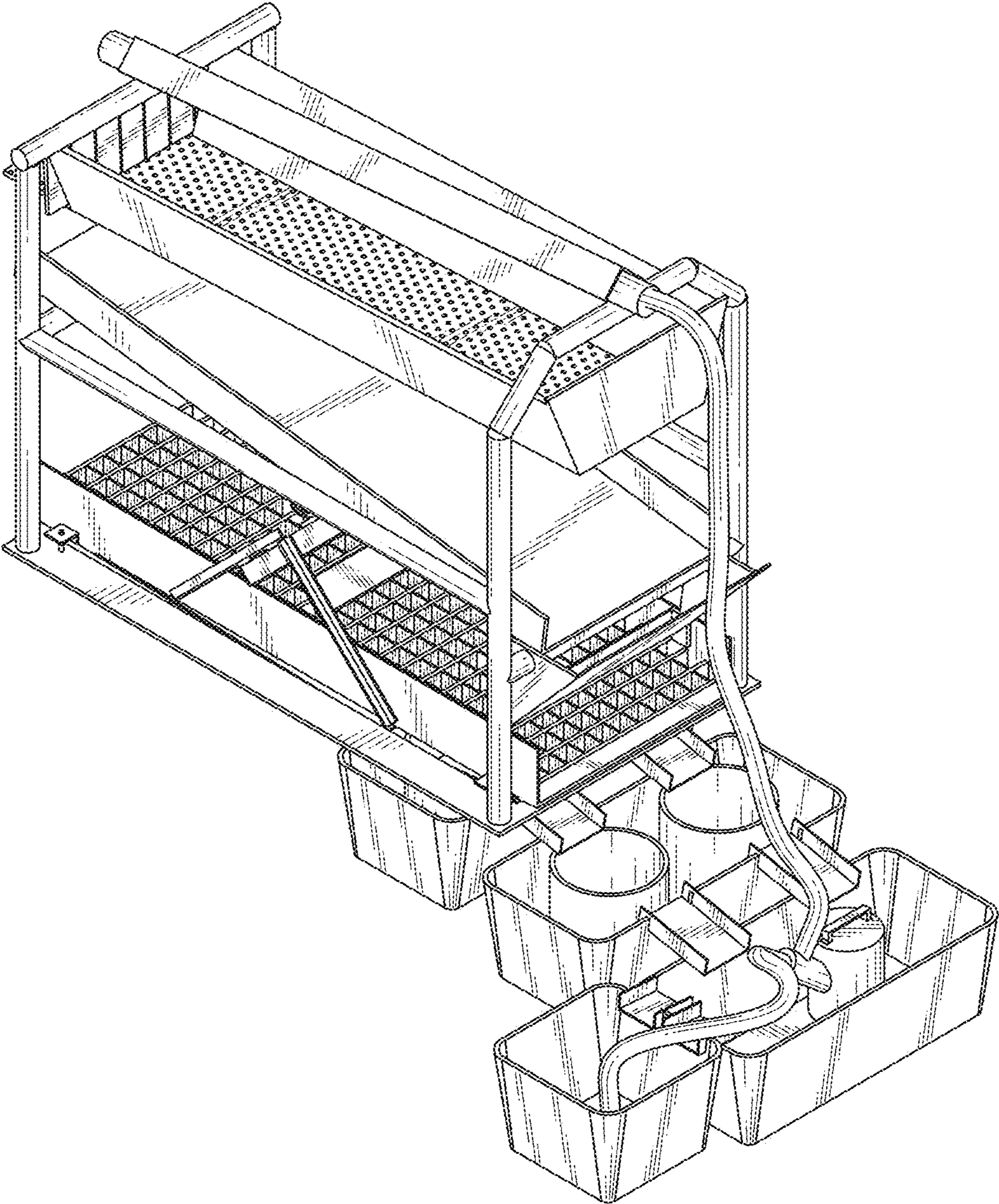


FIG.2

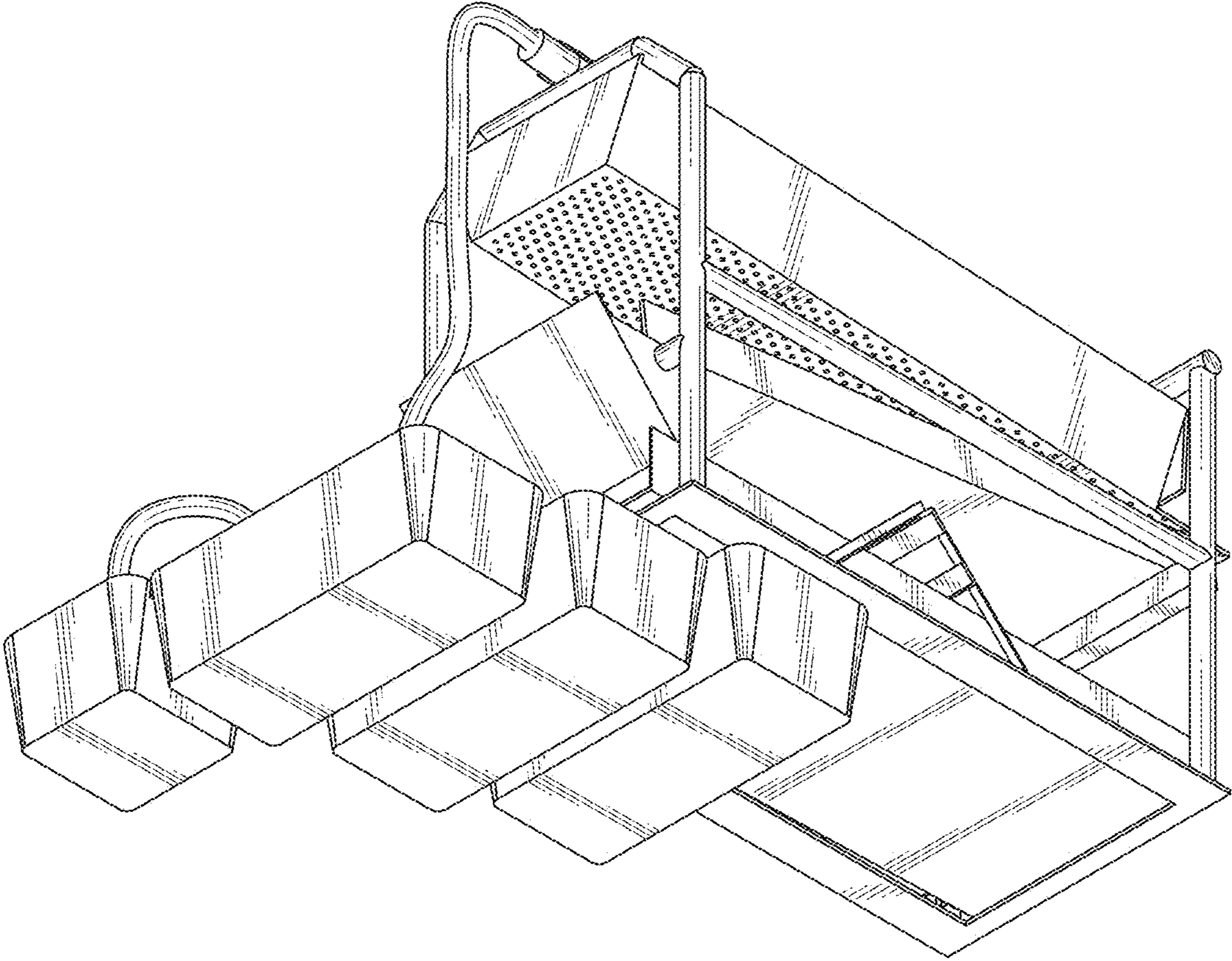


FIG.3

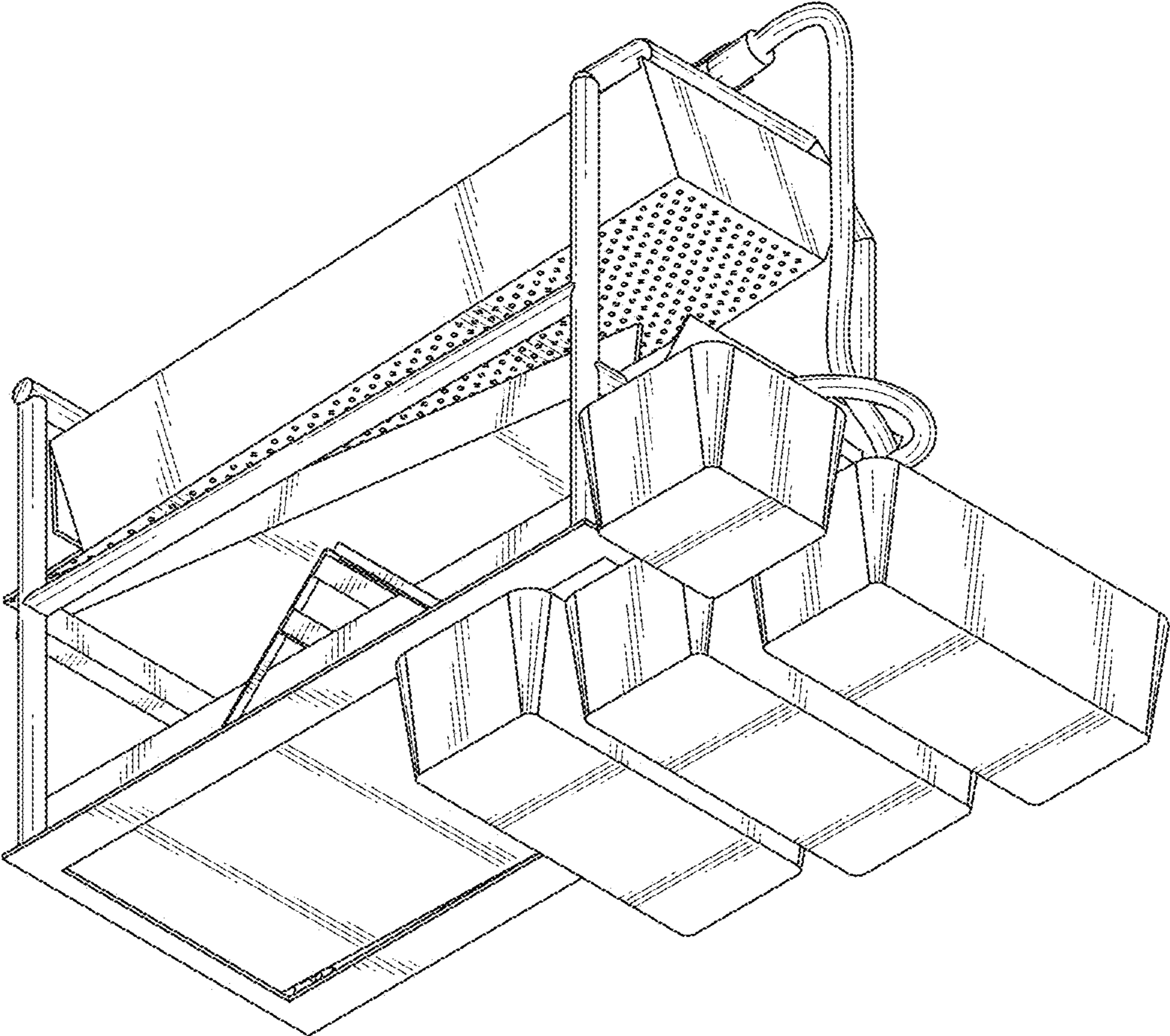


FIG.4

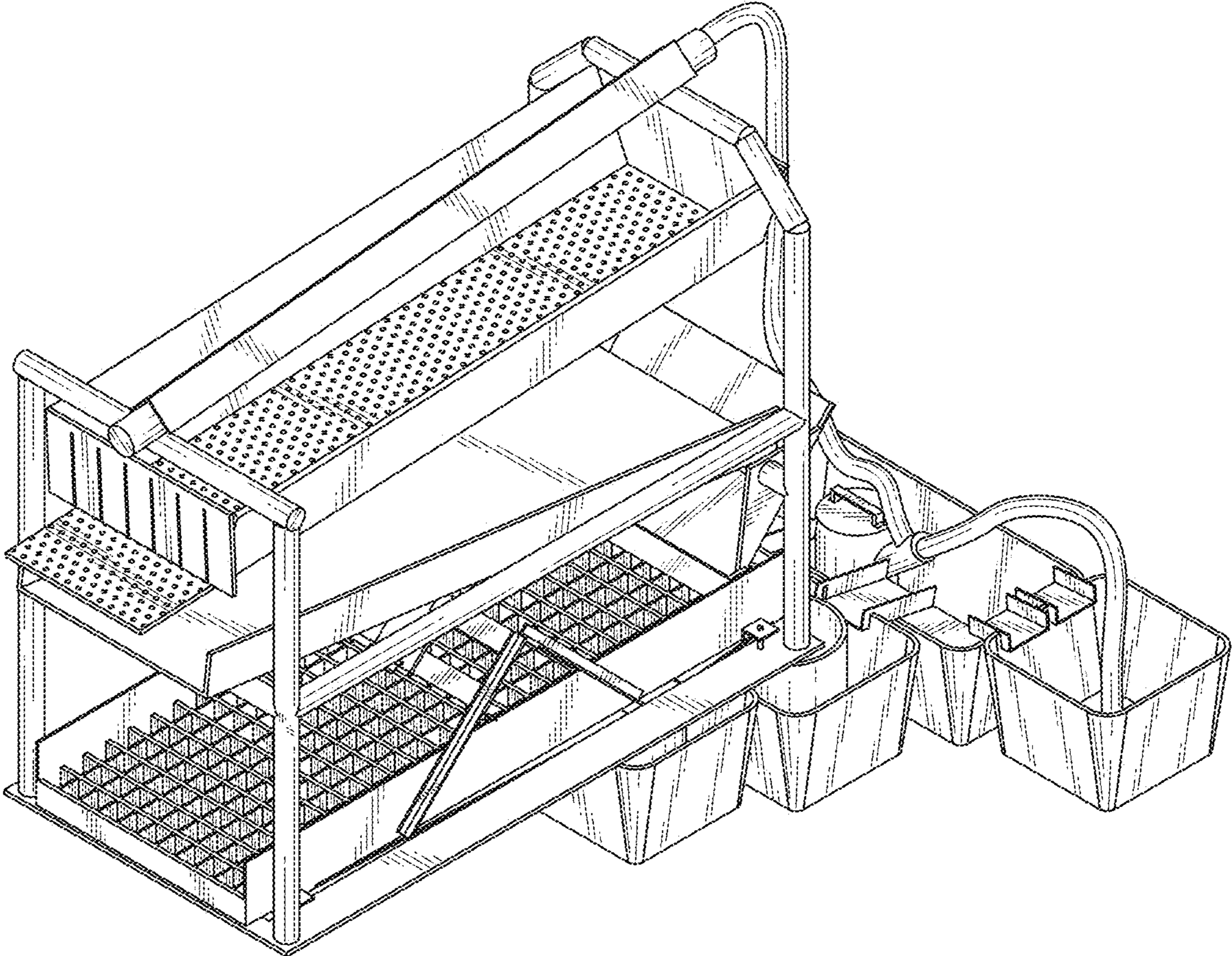


FIG.5

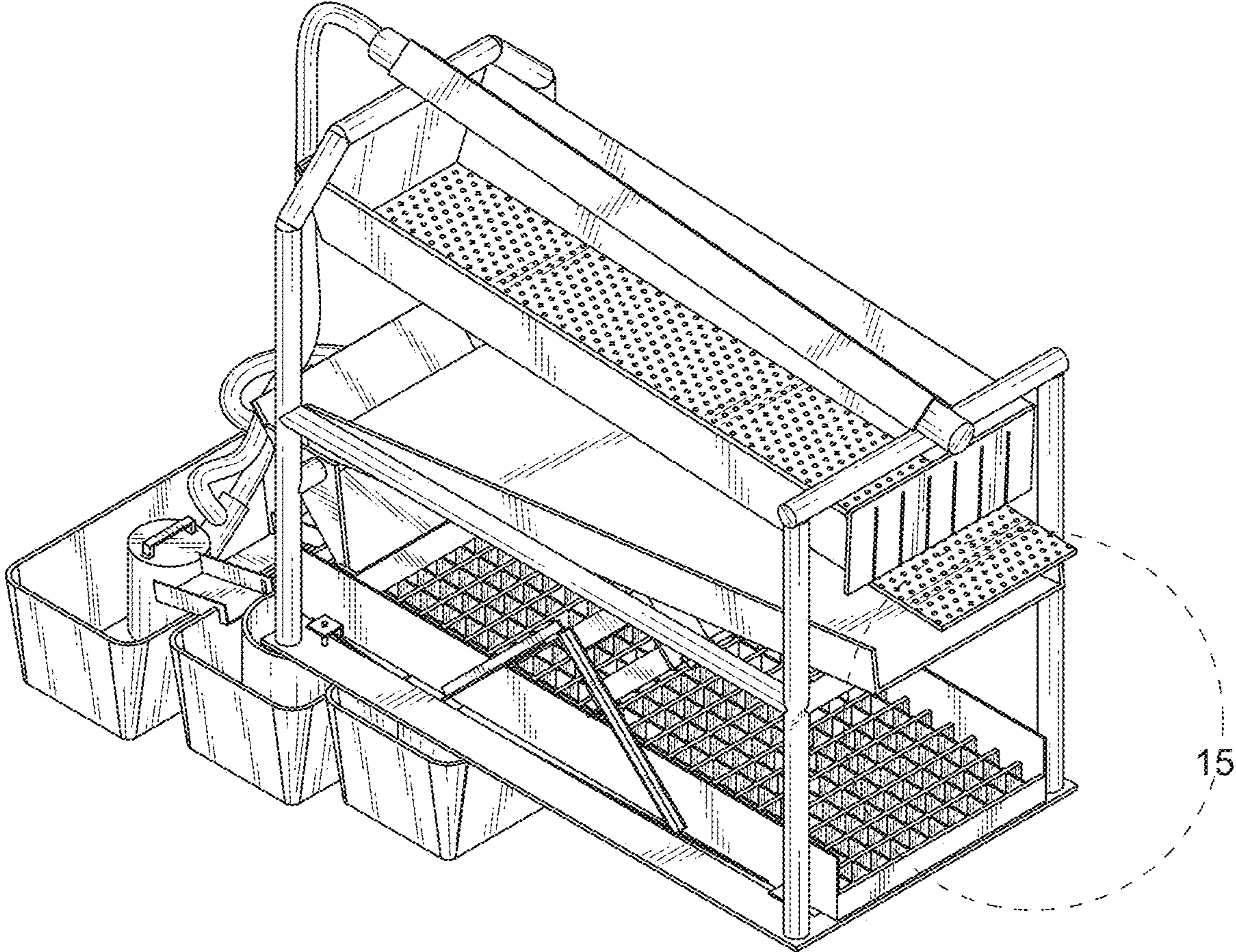


FIG.6

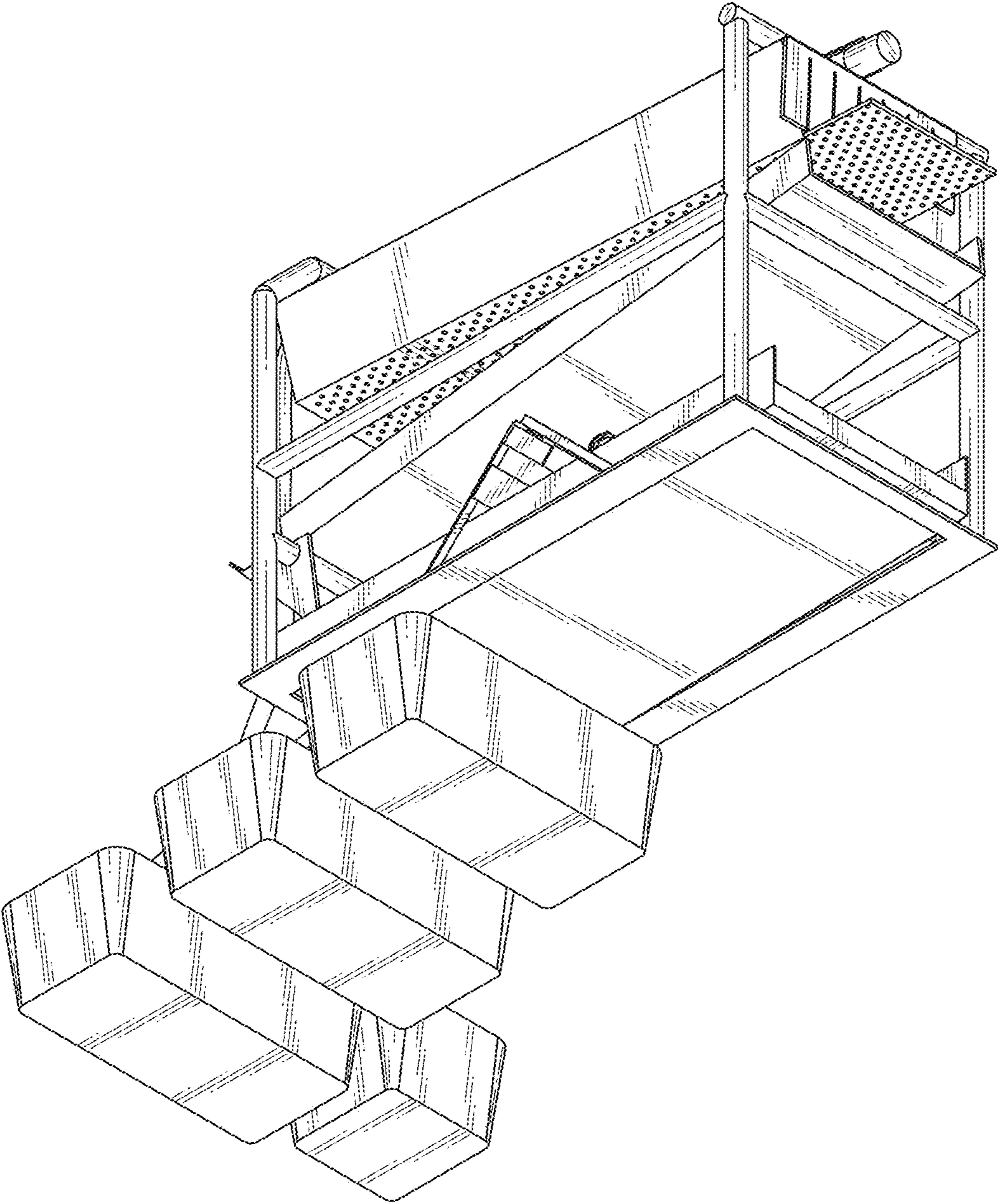


FIG.7

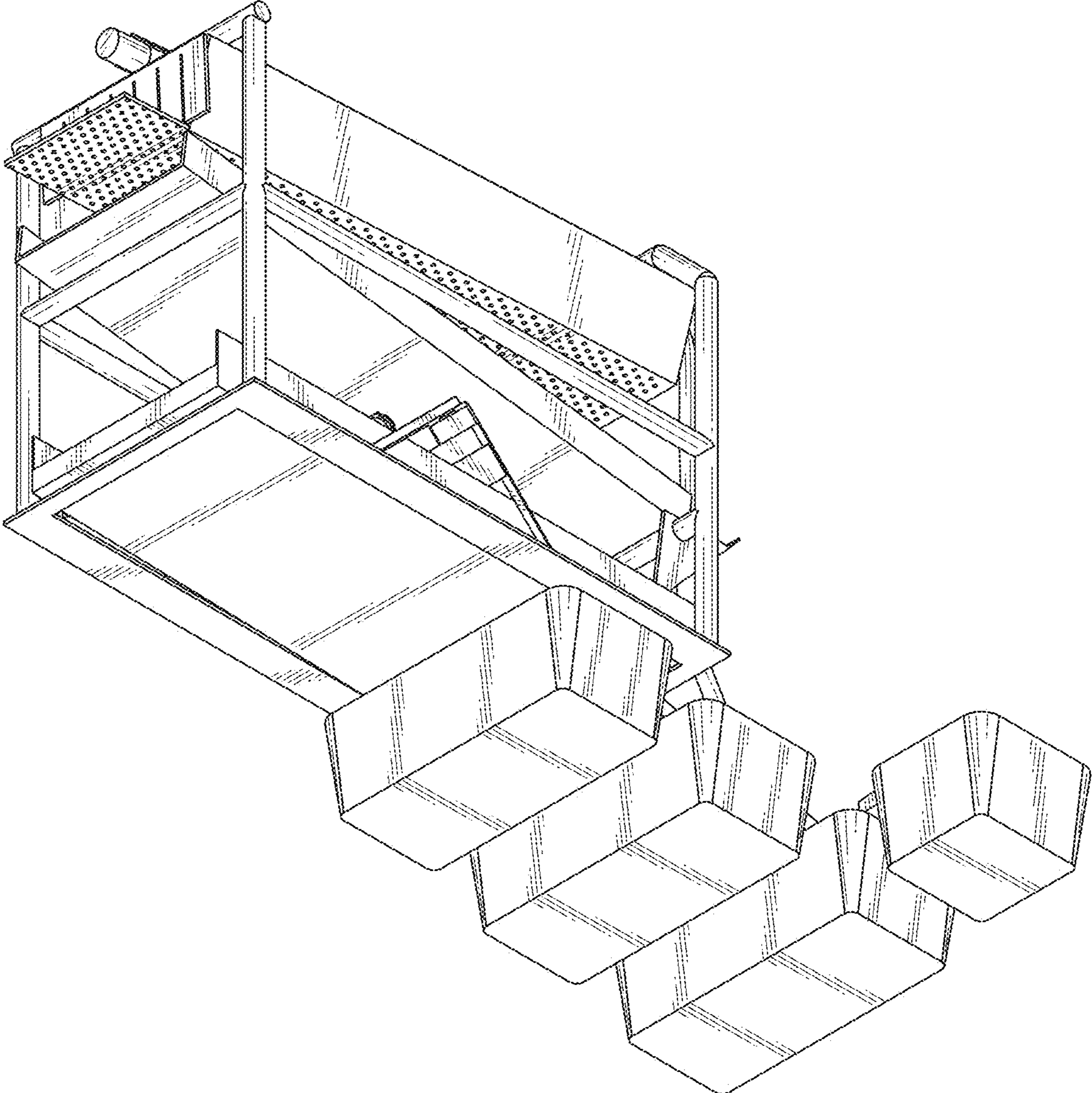


FIG.8

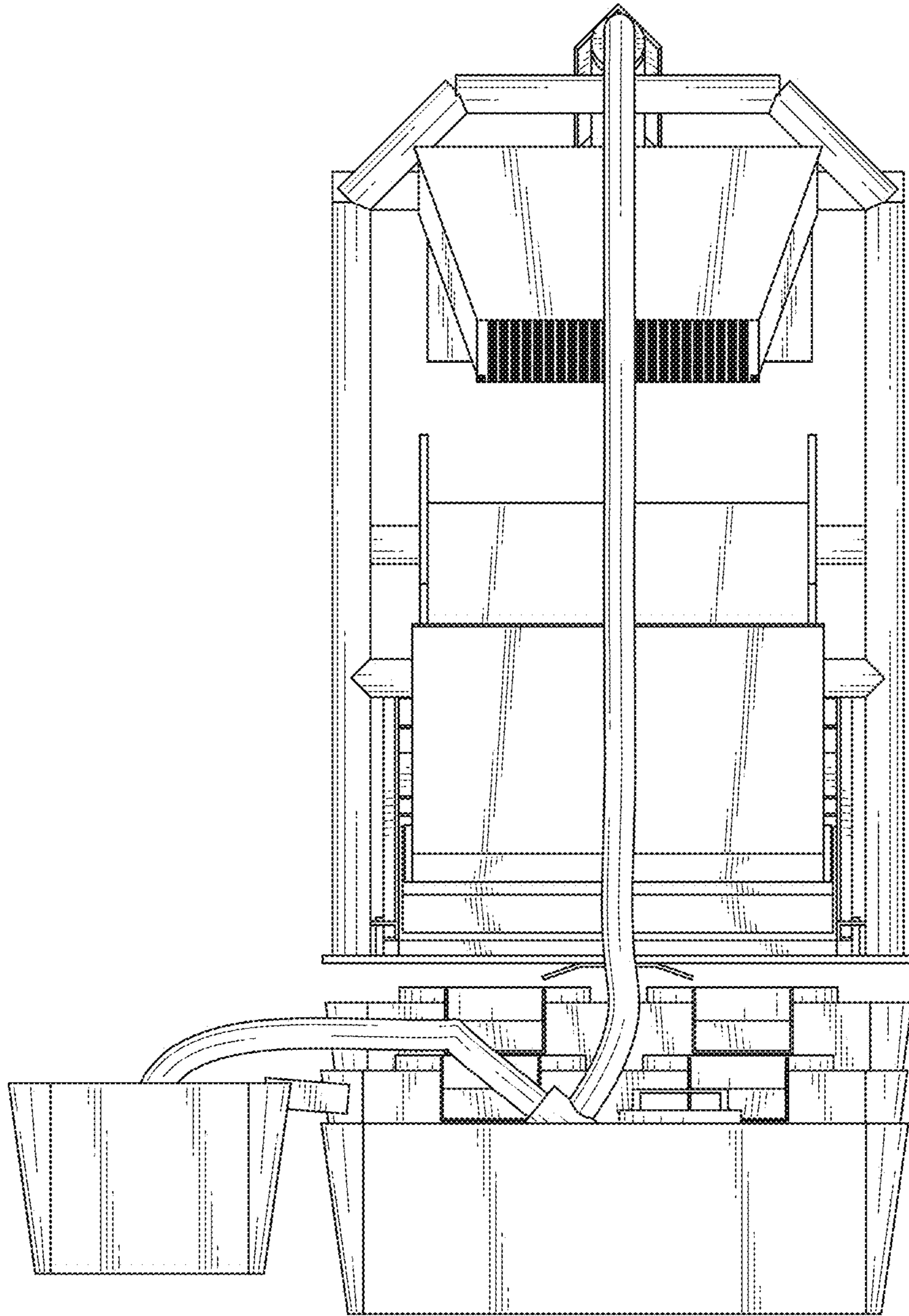


FIG.9

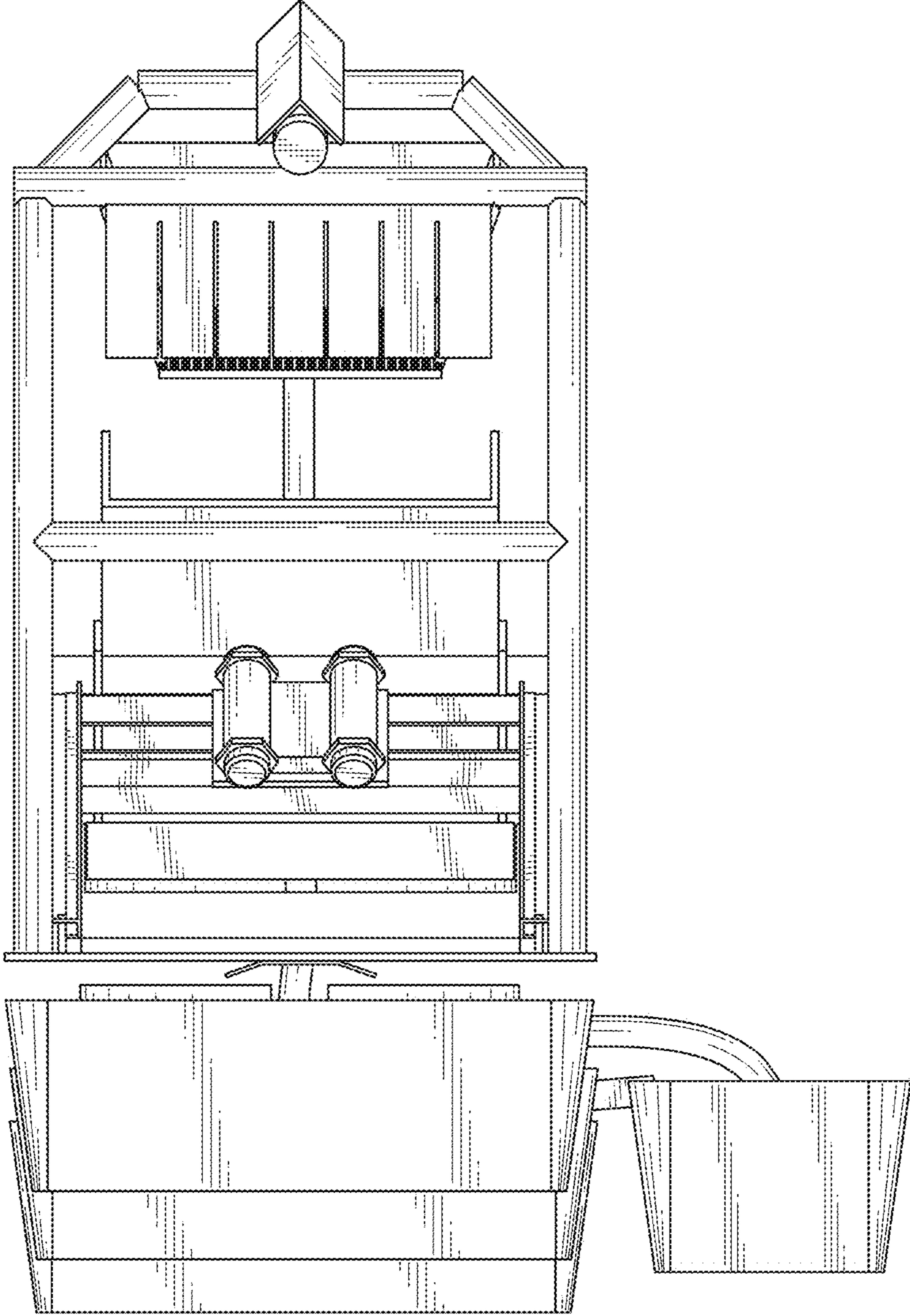


FIG.10

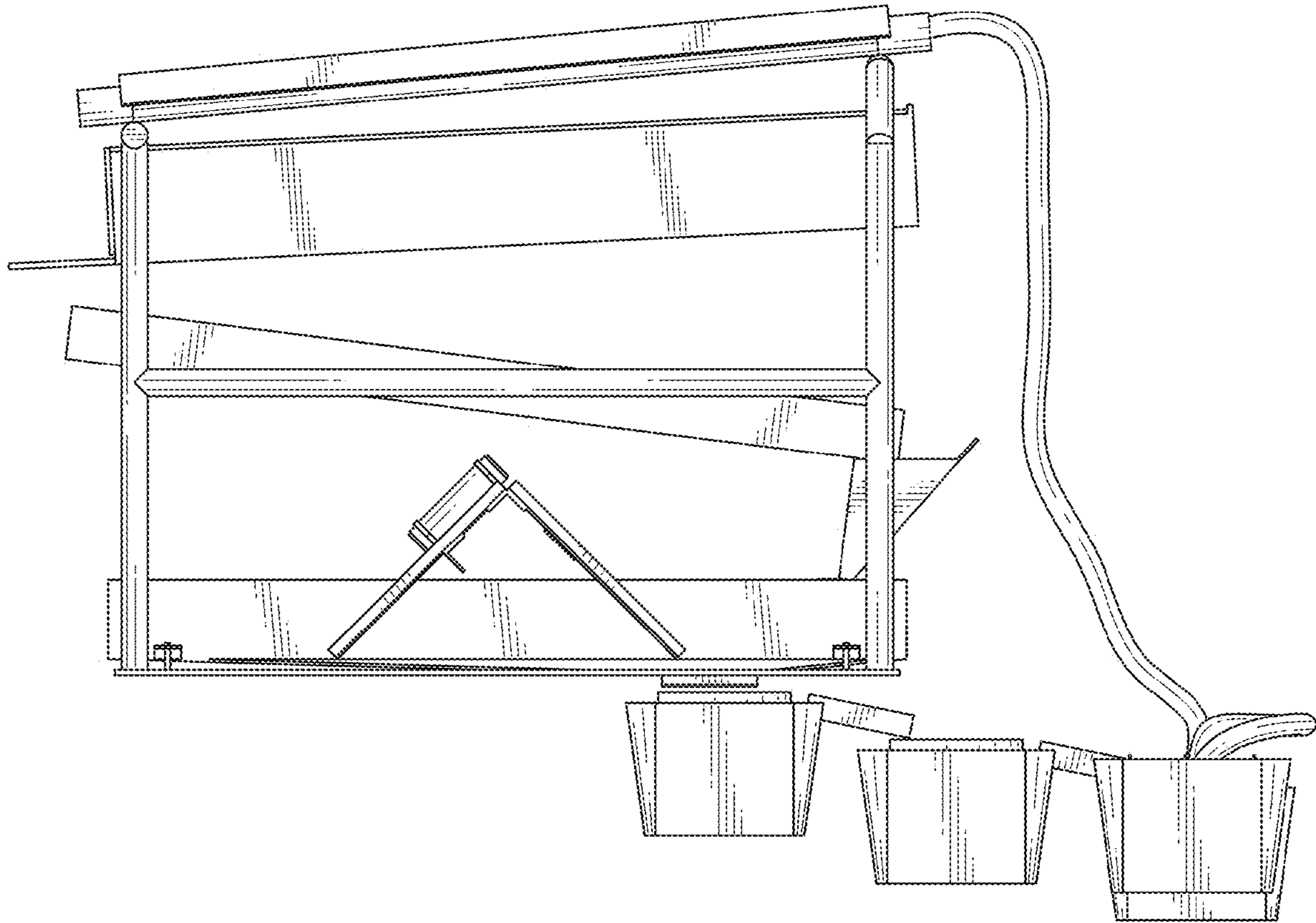


FIG.11

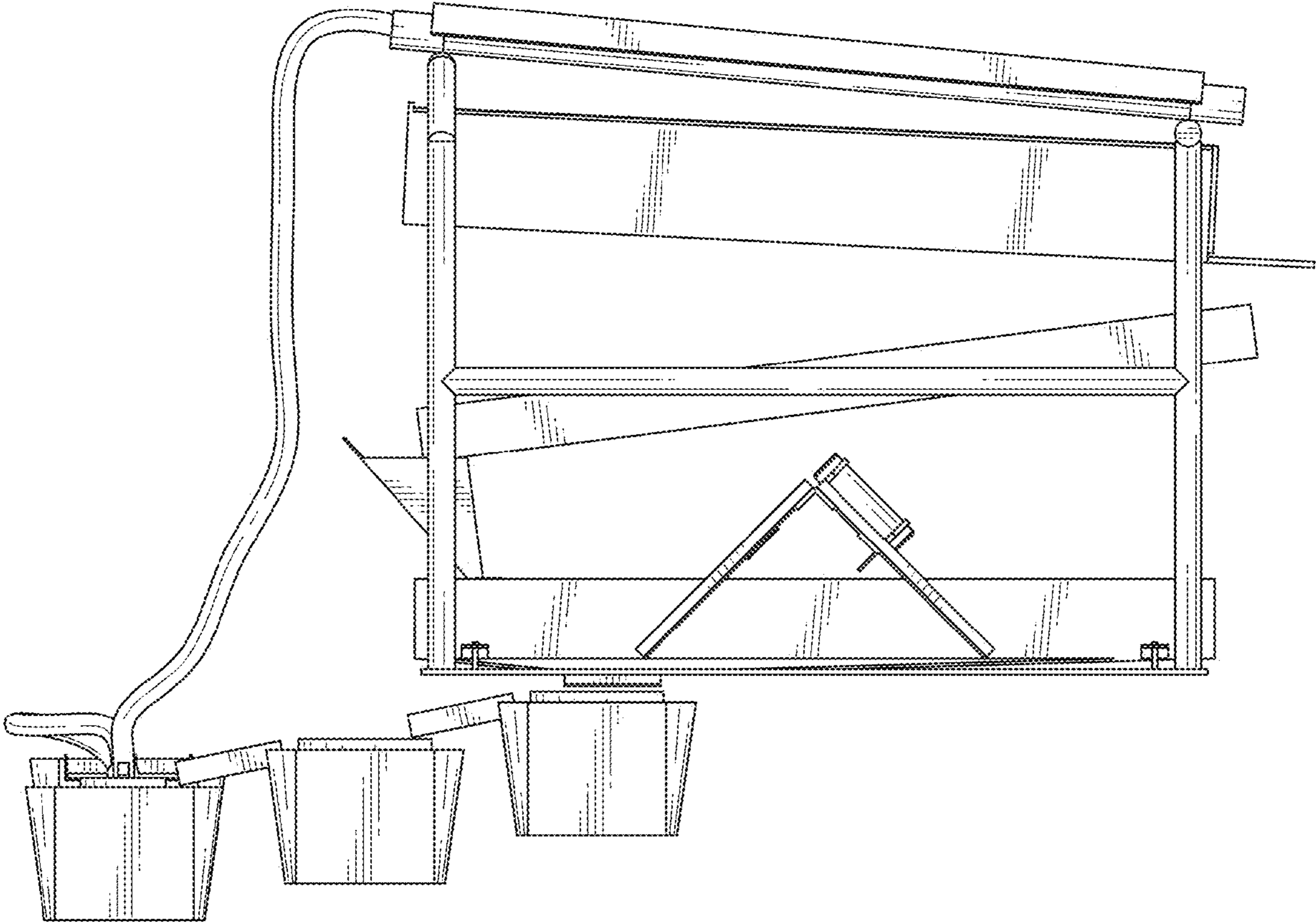


FIG.12

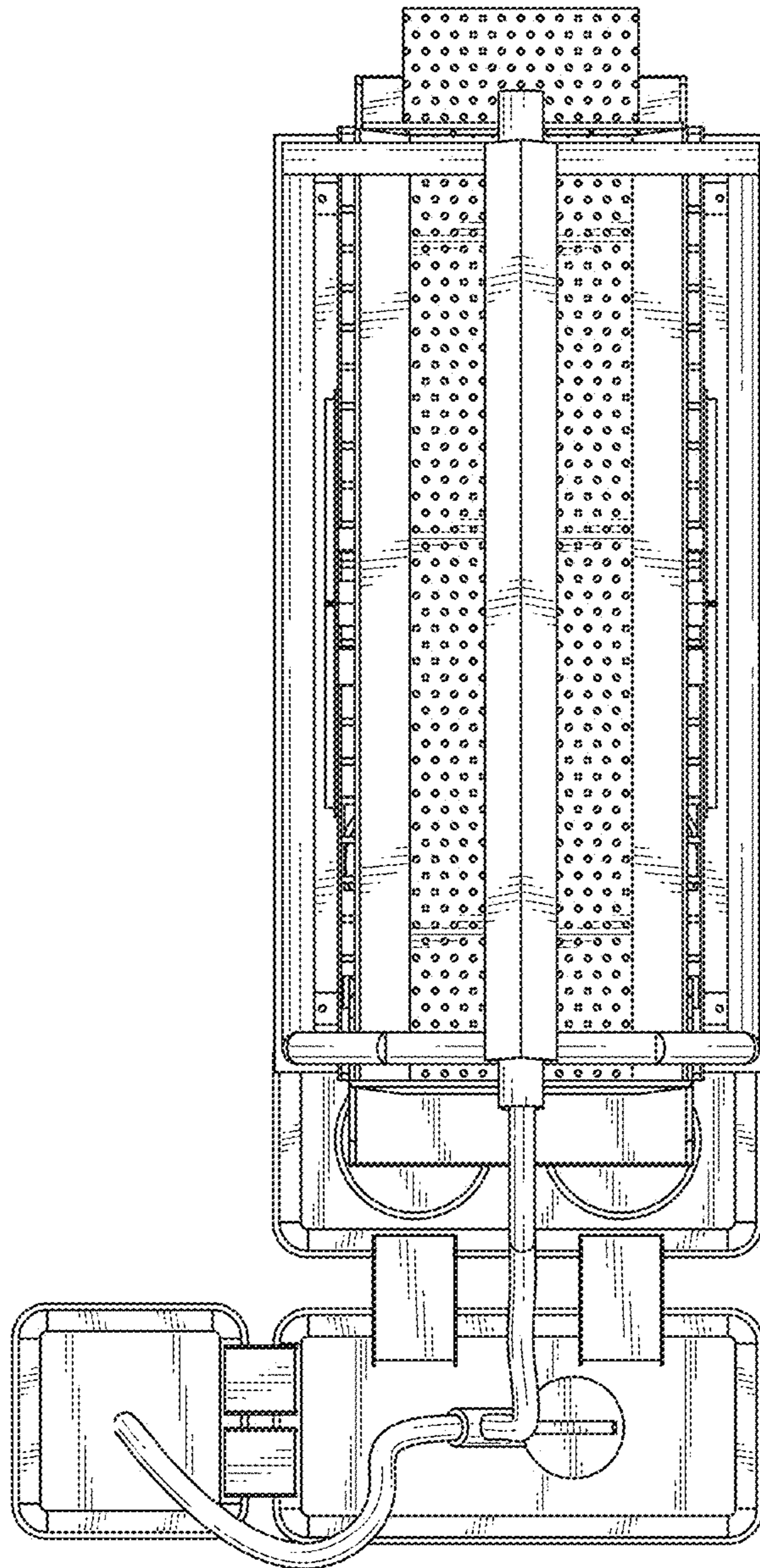


FIG.13

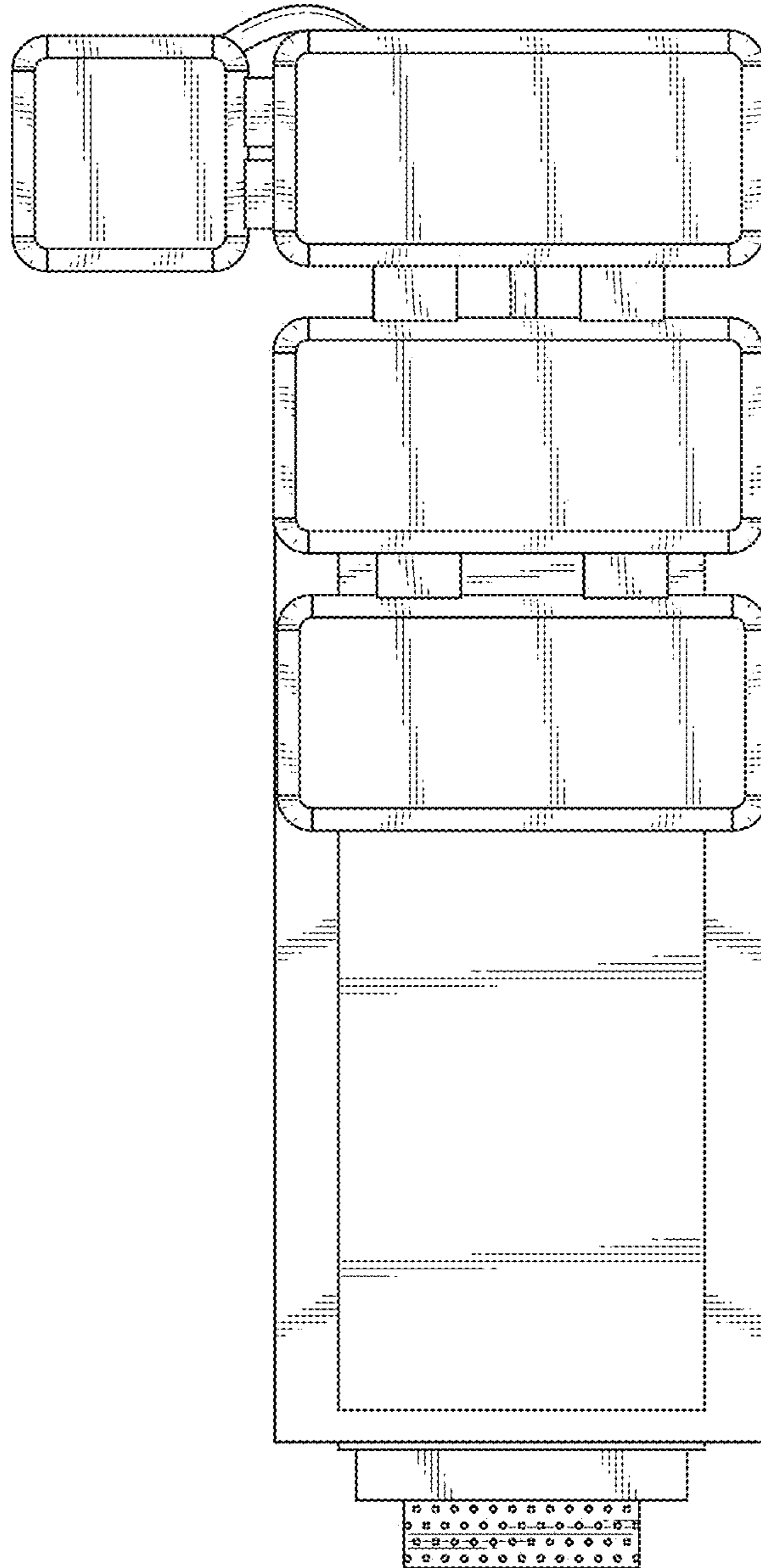


FIG.14

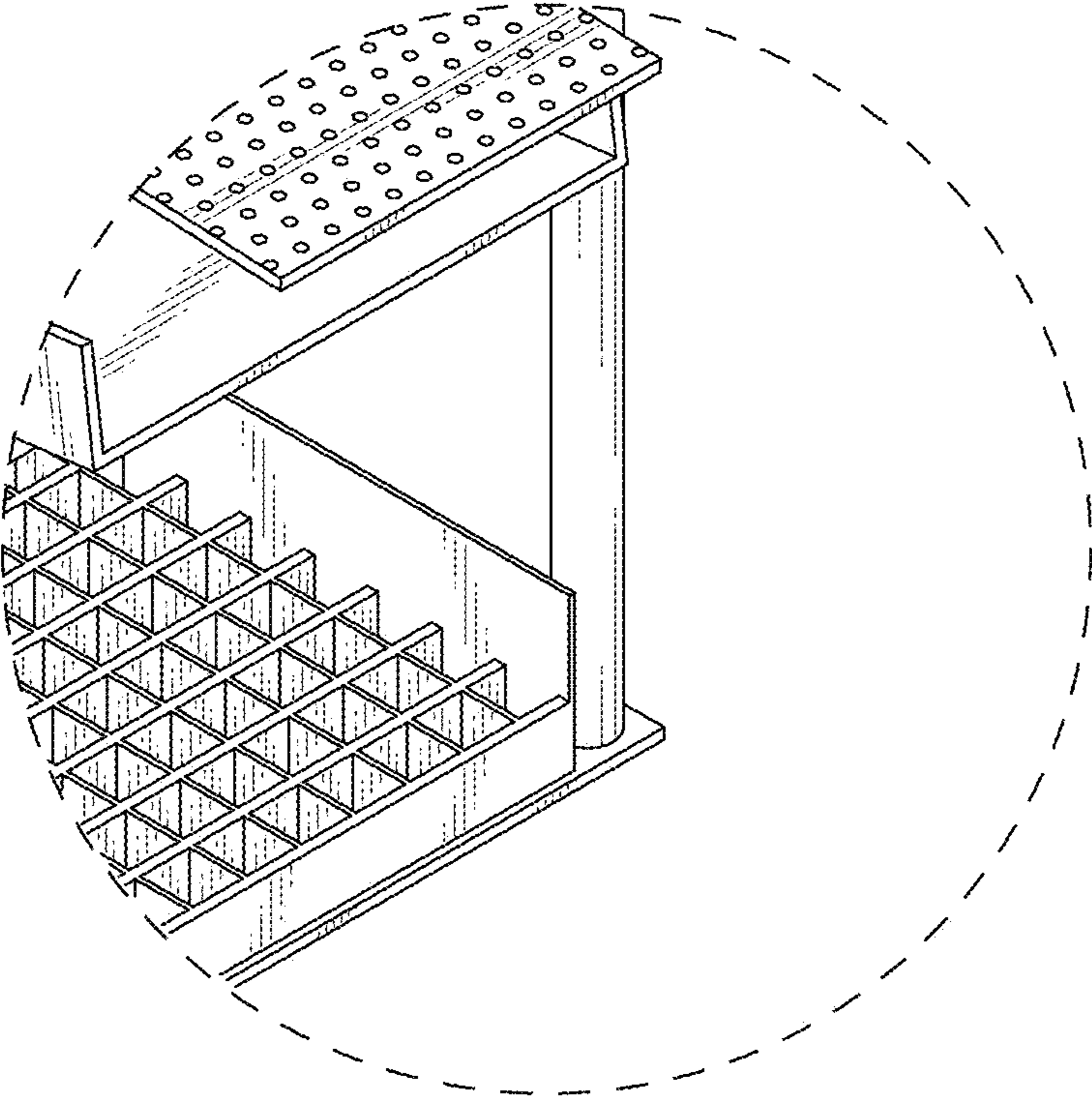


FIG.15