



US0D1027925S

(12) **United States Design Patent**
Adjesson

(10) **Patent No.:** **US D1,027,925 S**

(45) **Date of Patent:** **** May 21, 2024**

(54) **PHONE BRACKET**

(71) Applicant: **Eric Adjesson**, Stone Mountain, GA
(US)

(72) Inventor: **Eric Adjesson**, Stone Mountain, GA
(US)

(**) Term: **15 Years**

(21) Appl. No.: **29/761,115**

(22) Filed: **Dec. 7, 2020**

(51) **LOC (14) Cl.** **14-03**

(52) **U.S. Cl.**
USPC **D14/250**

(58) **Field of Classification Search**
USPC .. D14/138 G, 248, 249, 250, 252, 253, 439,
D14/440, 447
CPC A45C 2011/002; A45C 2011/003; A45F
2200/0516; A45F 2200/0525; A45F
2005/002

See application file for complete search history.

(56) **References Cited**

U.S. PATENT DOCUMENTS

D623,652 S *	9/2010	Hsu	D14/218
D707,231 S *	6/2014	Sirichai	D14/447
D728,549 S *	5/2015	Su	D14/250
D786,226 S *	5/2017	Kim	D14/248
D809,498 S *	2/2018	Ahn	D14/250
D819,011 S *	5/2018	Eulette	D14/250
D842,295 S *	3/2019	Ahn	D14/250
D852,799 S *	7/2019	Fenton	D14/440
D939,511 S *	12/2021	Chen	D14/439
D962,224 S *	8/2022	Tsao	D14/324

D972,572 S *	12/2022	Clark	D14/440
2017/0279477 A1 *	9/2017	Adjesson	H04M 1/185
2022/0182478 A1 *	6/2022	Adjesson	H04M 1/0279

OTHER PUBLICATIONS

TheVerge.com, Ashley Carman, These are some fancy iPhone corner protectors, published Nov. 18, 2016, retrieved Feb. 16, 2023, available at URL: <https://www.theverge.com/circuitbreaker/2016/11/18/13680002/iphone-7-case-corner-rmour-kickstarter> (Year: 2016).*

* cited by examiner

Primary Examiner — Wendy L Arminio

Assistant Examiner — Carrie S Gelula

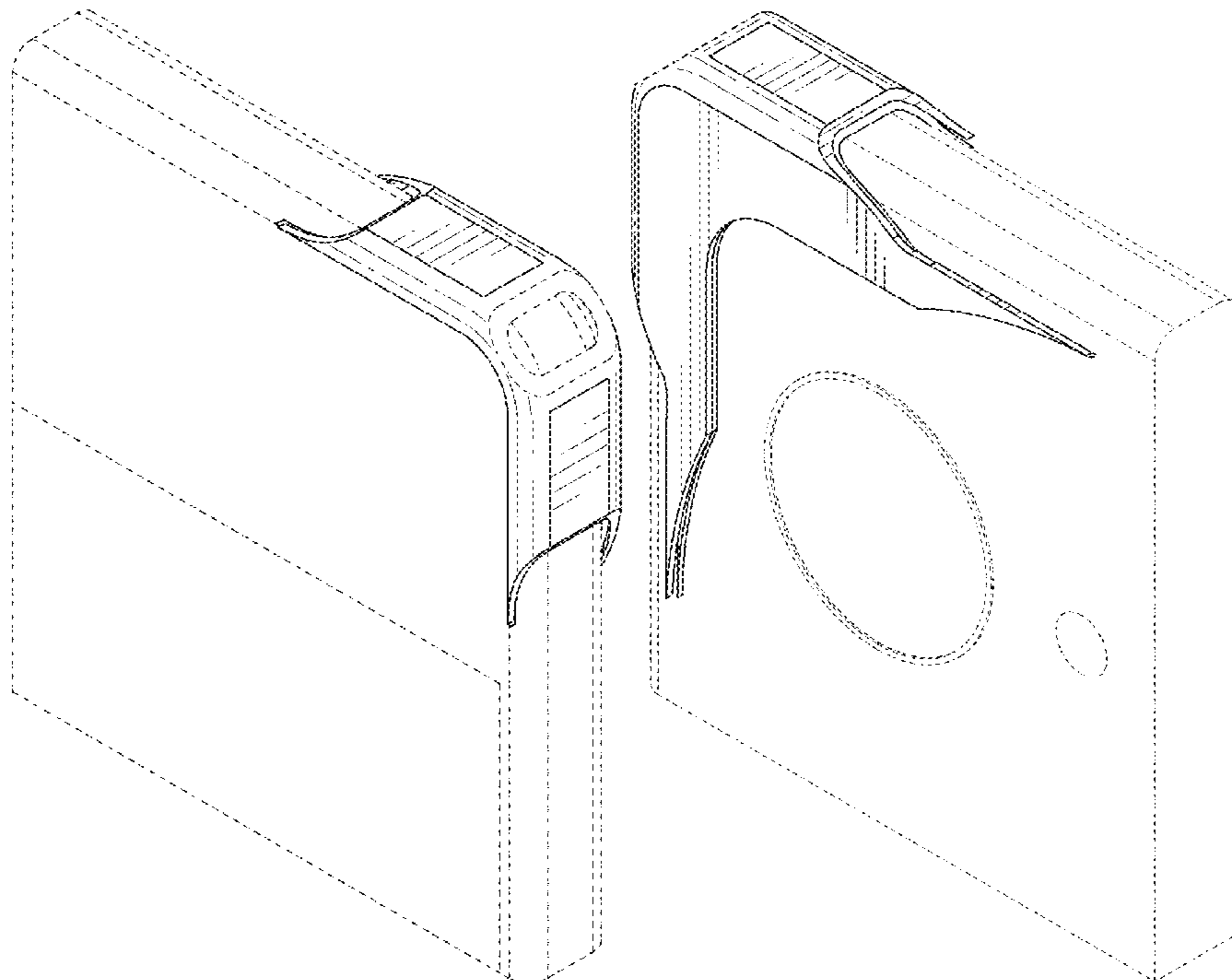
(57) **CLAIM**

The ornamental design for a phone bracket, as shown and described.

DESCRIPTION

FIG. 1 is a front-top perspective view of a phone bracket showing my new design;
FIG. 2 is a front-bottom perspective view thereof;
FIG. 3 is a rear-top perspective view thereof;
FIG. 4 is a rear-bottom perspective view thereof;
FIG. 5 is a front elevational view thereof;
FIG. 6 is a rear elevational view thereof;
FIG. 7 is a left elevational view thereof;
FIG. 8 is a right elevational view thereof;
FIG. 9 is a top plan view thereof; and,
FIG. 10 is a bottom plan view thereof.
The broken lines in the drawings are for the purpose of illustrating portions of the phone bracket which form no part of the claimed design.

1 Claim, 10 Drawing Sheets



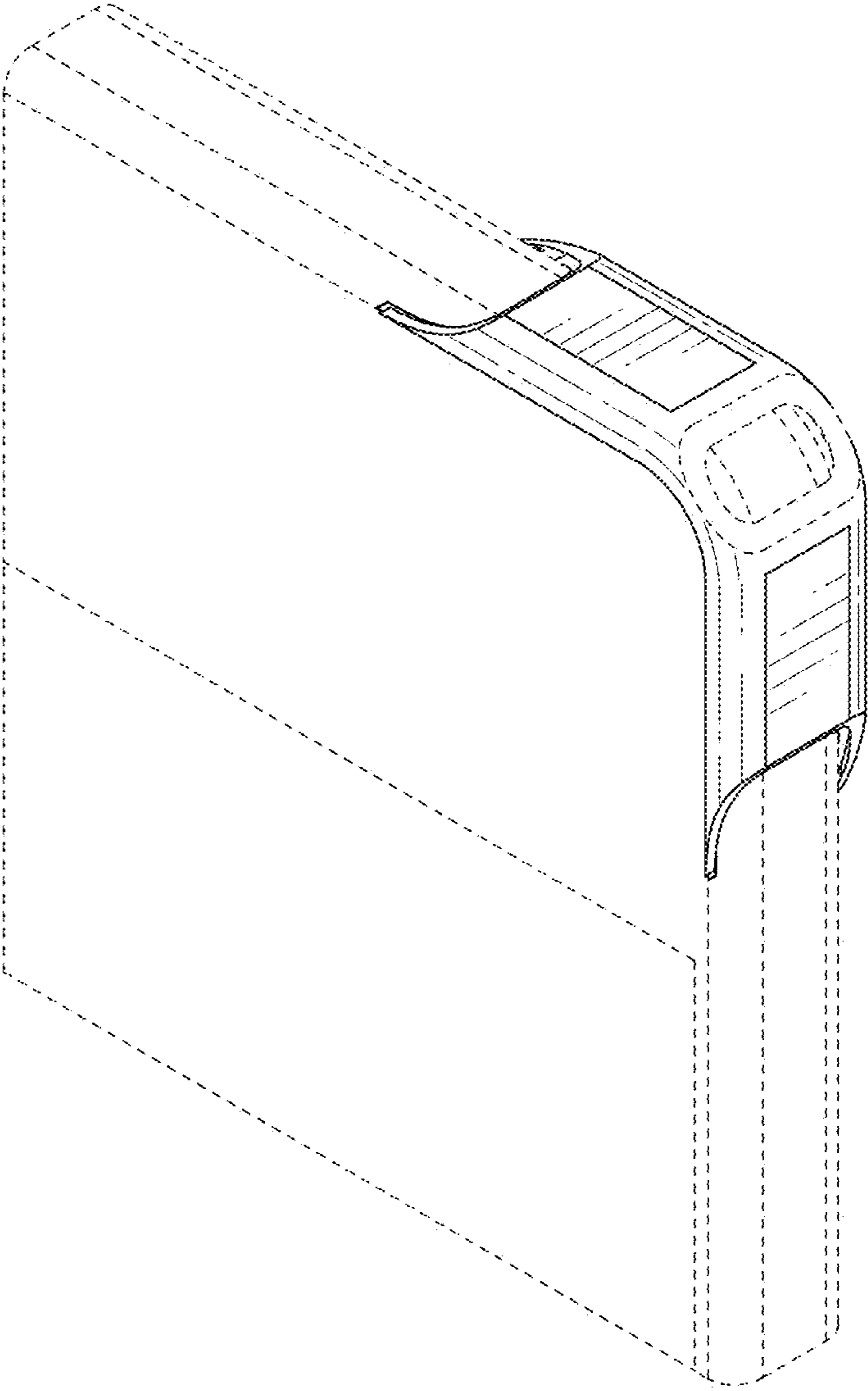


FIG. 1

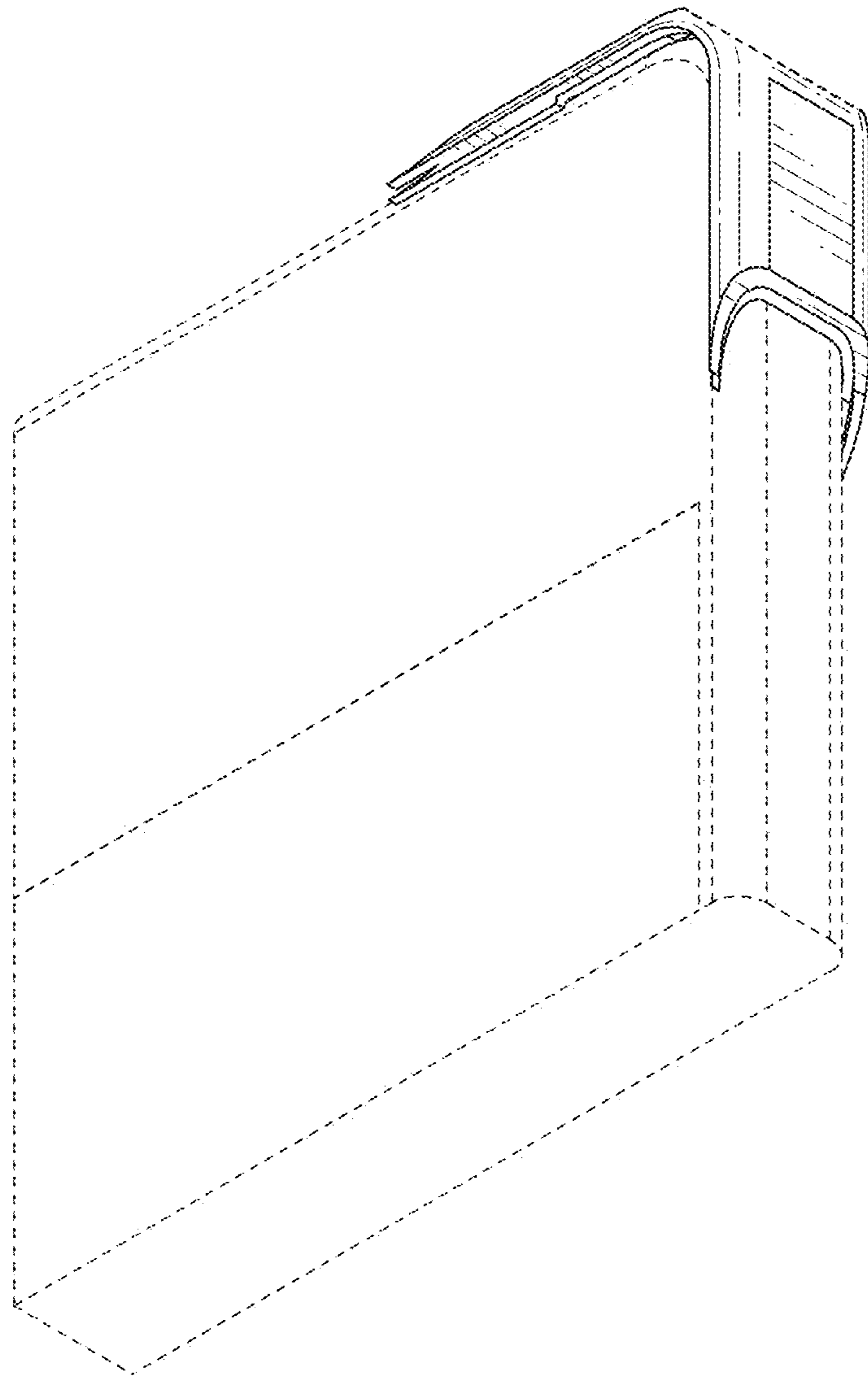


FIG. 2

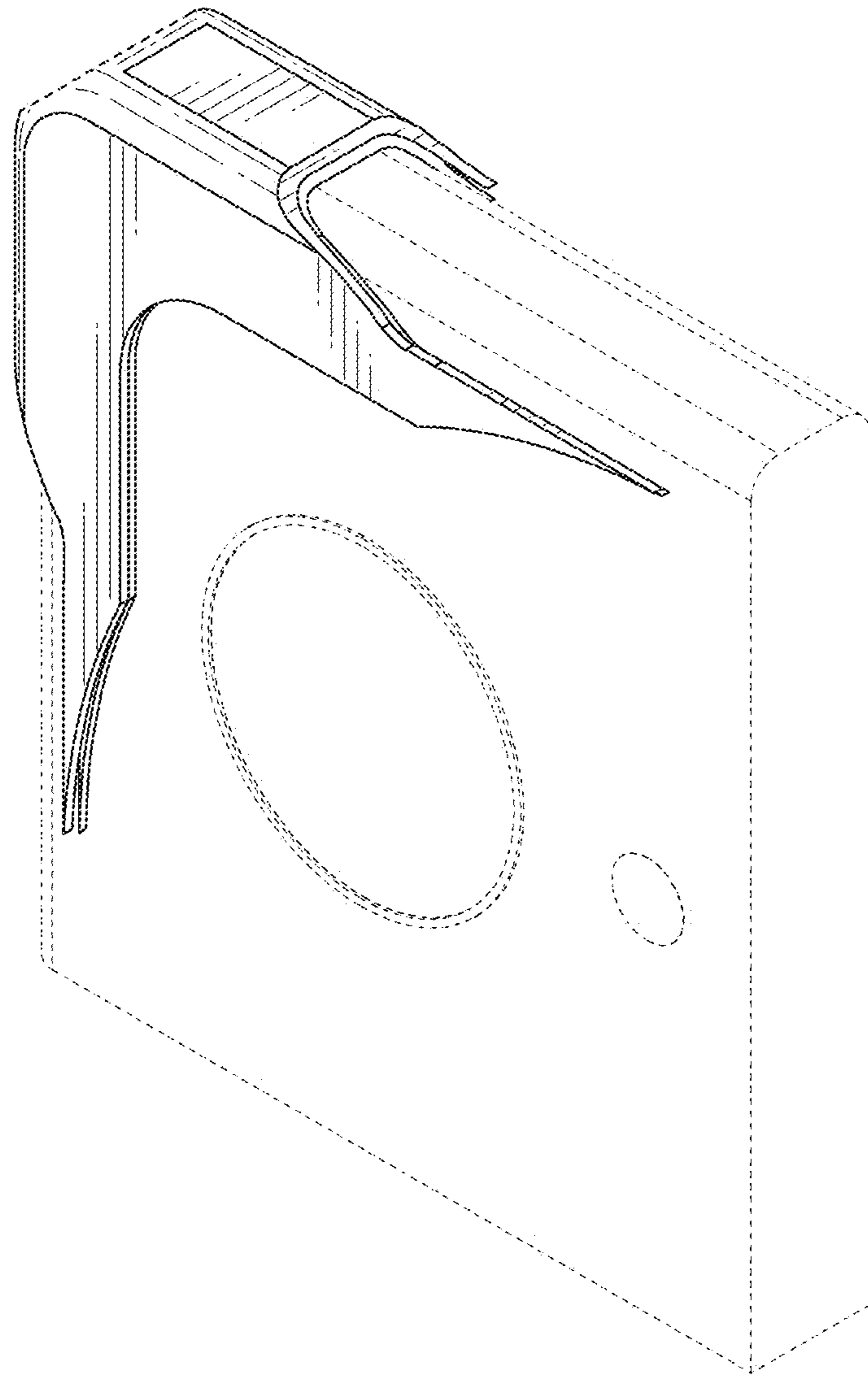


FIG. 3

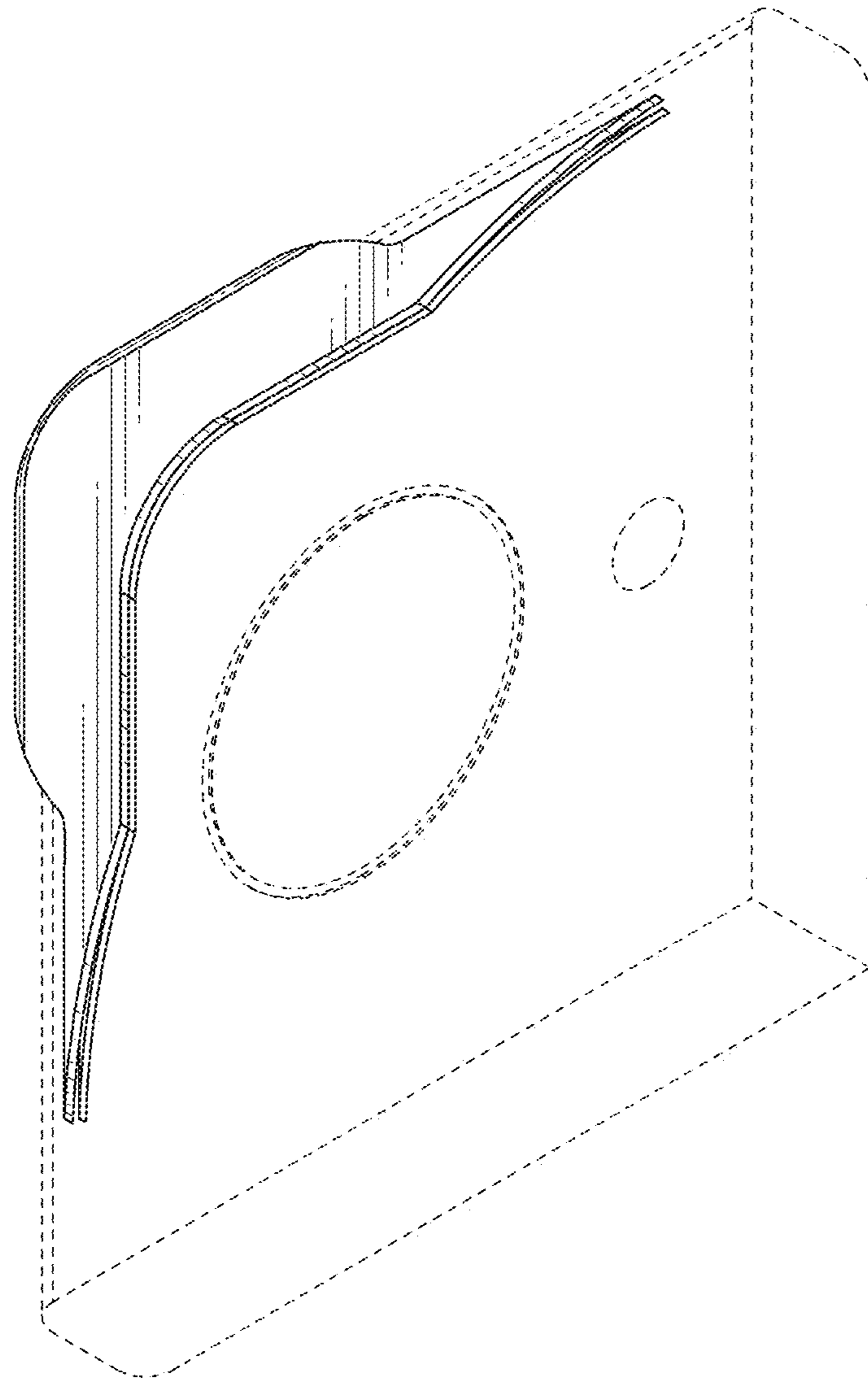


FIG. 4

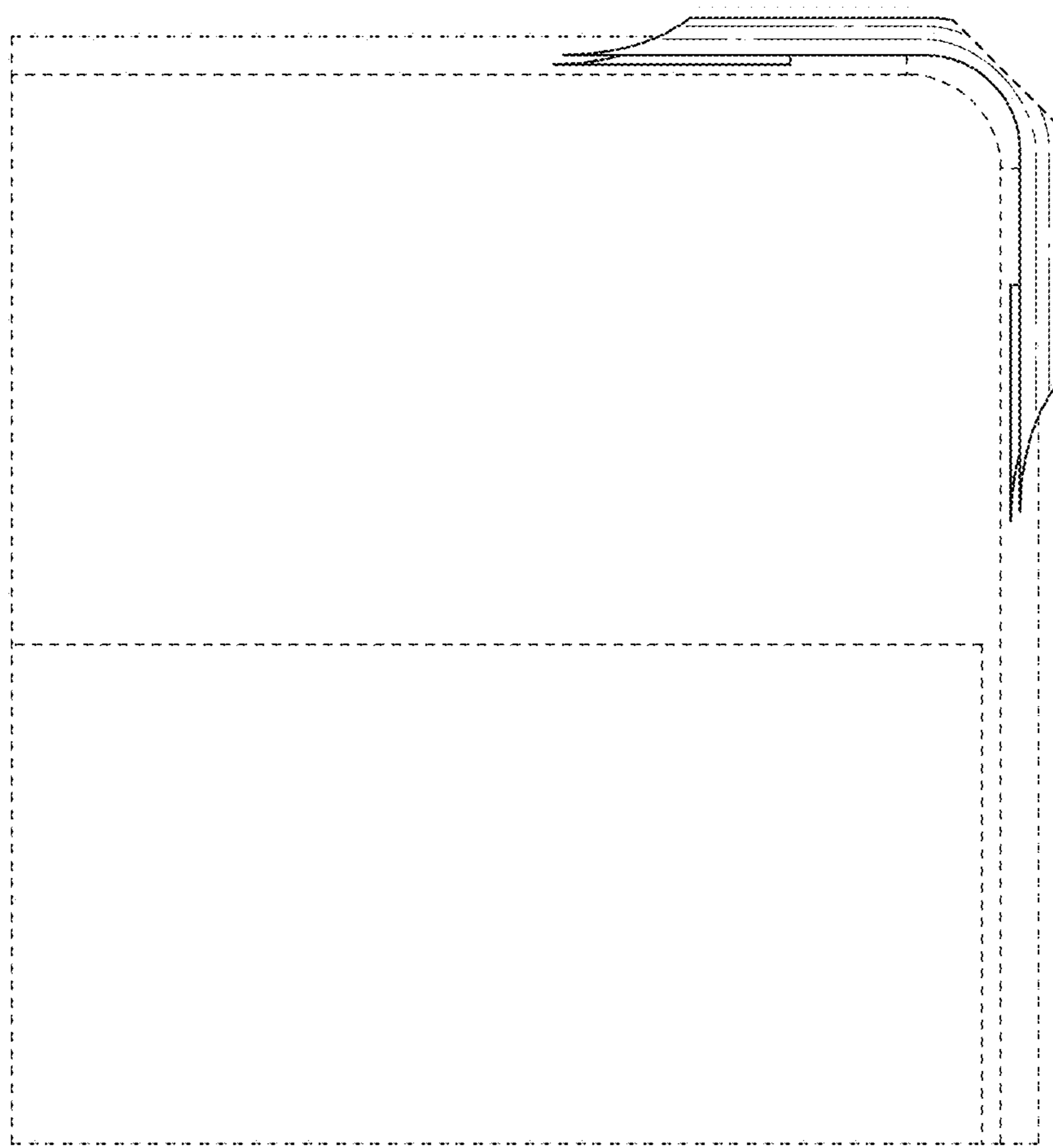


FIG. 5

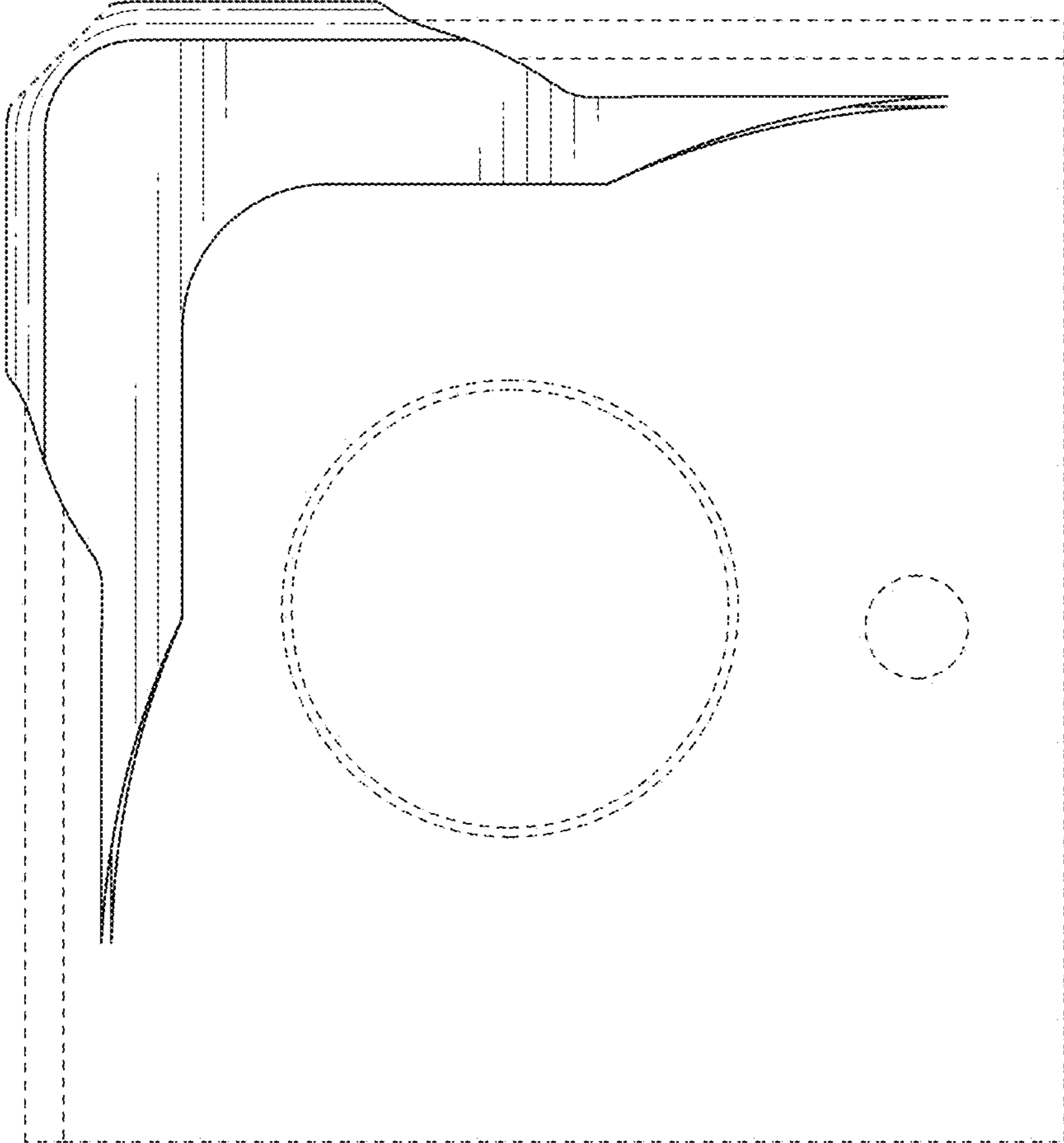


FIG. 6

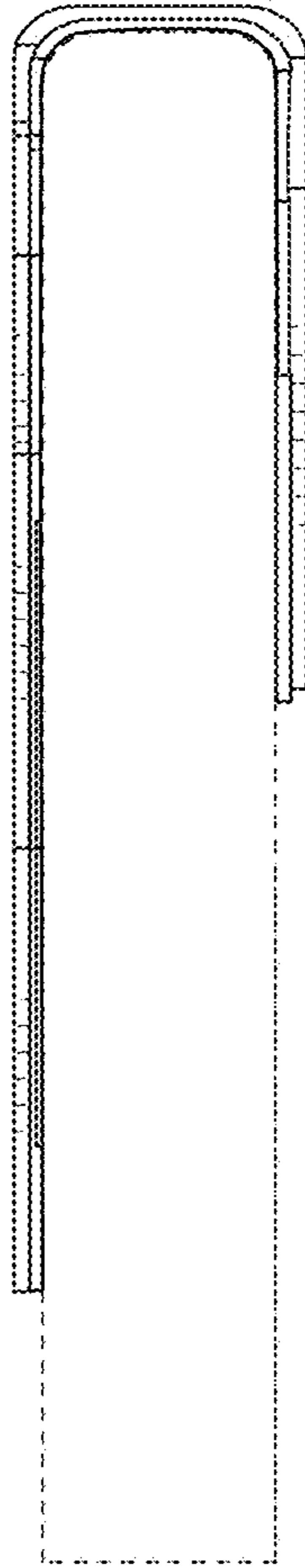


FIG. 7

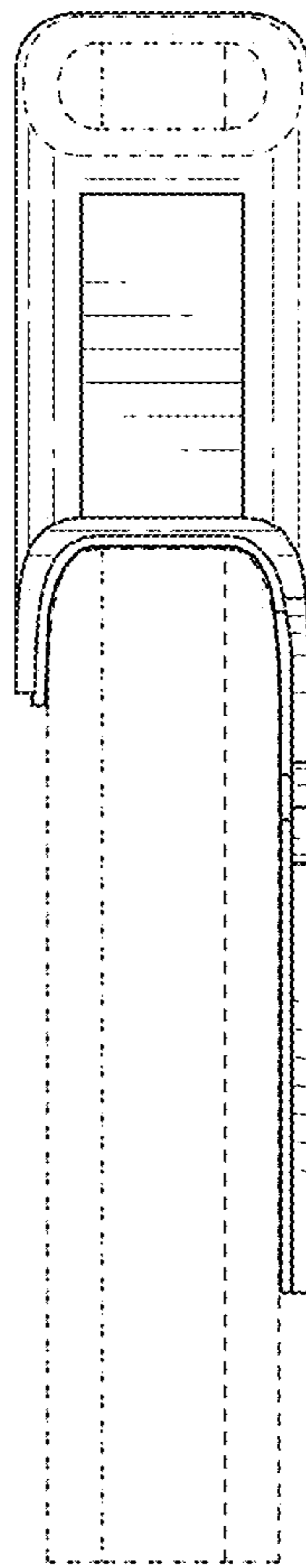


FIG. 8

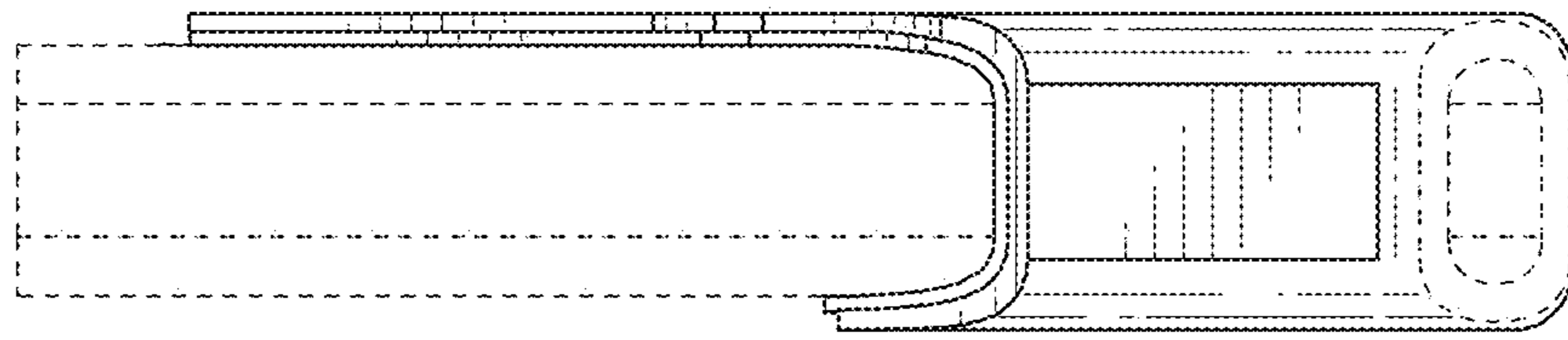


FIG. 9

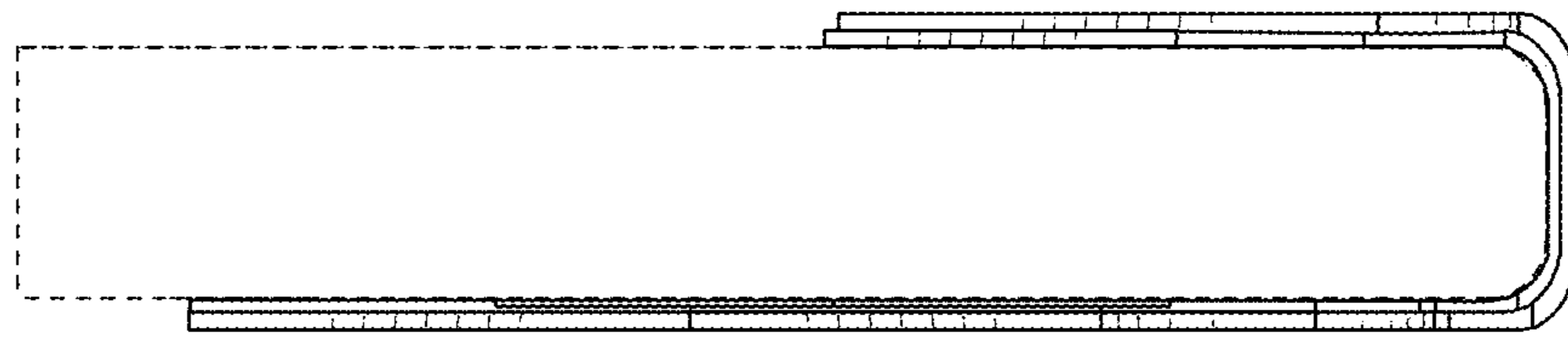


FIG. 10