



US0D1027885S

(12) **United States Design Patent**
Kim et al.

(10) **Patent No.: US D1,027,885 S**

(45) **Date of Patent: ** *May 21, 2024**

(54) **TABLETOP TOUCHSCREEN PANEL**

(71) Applicant: **Crestron Electronics, Inc.**, Rockleigh, NJ (US)

(72) Inventors: **Eugene Kim**, Palisades Park, NJ (US);
Srinivas Vunnava, Plano, TX (US)

(73) Assignee: **Crestron Electronics, Inc.**, Rockleigh, NJ (US)

(*) Notice: This patent is subject to a terminal disclaimer.

(**) Term: **15 Years**

(21) Appl. No.: **29/904,761**

(22) Filed: **Oct. 11, 2023**

Related U.S. Application Data

(63) Continuation of application No. 29/780,953, filed on Apr. 27, 2021, now Pat. No. Des. 1,015,286.

(51) **LOC (14) Cl.** **14-03**

(52) **U.S. Cl.**
USPC **D14/126**

(58) **Field of Classification Search**
USPC ... D14/125, 126, 159, 209.1, 210, 215, 341,
D14/342, 345, 336; D18/4.4; D21/324,
D21/329, 330

(Continued)

(56) **References Cited**

U.S. PATENT DOCUMENTS

D299,473 S * 1/1989 Murphy D19/60
D408,383 S * 4/1999 Carter D14/374

(Continued)

FOREIGN PATENT DOCUMENTS

EM 015034475-0001 * 9/2023
KR 300832850.0000 * 1/2016

OTHER PUBLICATIONS

“ProSoundWeb Crestron Flex Phones” Apr. 27, 2021, ProSoundWeb, site visited Mar. 7, 2024: <https://www.prosoundweb.com/crestron-launches-crestron-flex-phones-for-microsoft-teams/> (Year: 2021).*

(Continued)

Primary Examiner — Jack Reickel

Assistant Examiner — Russell Carnell Smith, Jr.

(74) *Attorney, Agent, or Firm* — Crestron Electronics, Inc.

(57) **CLAIM**

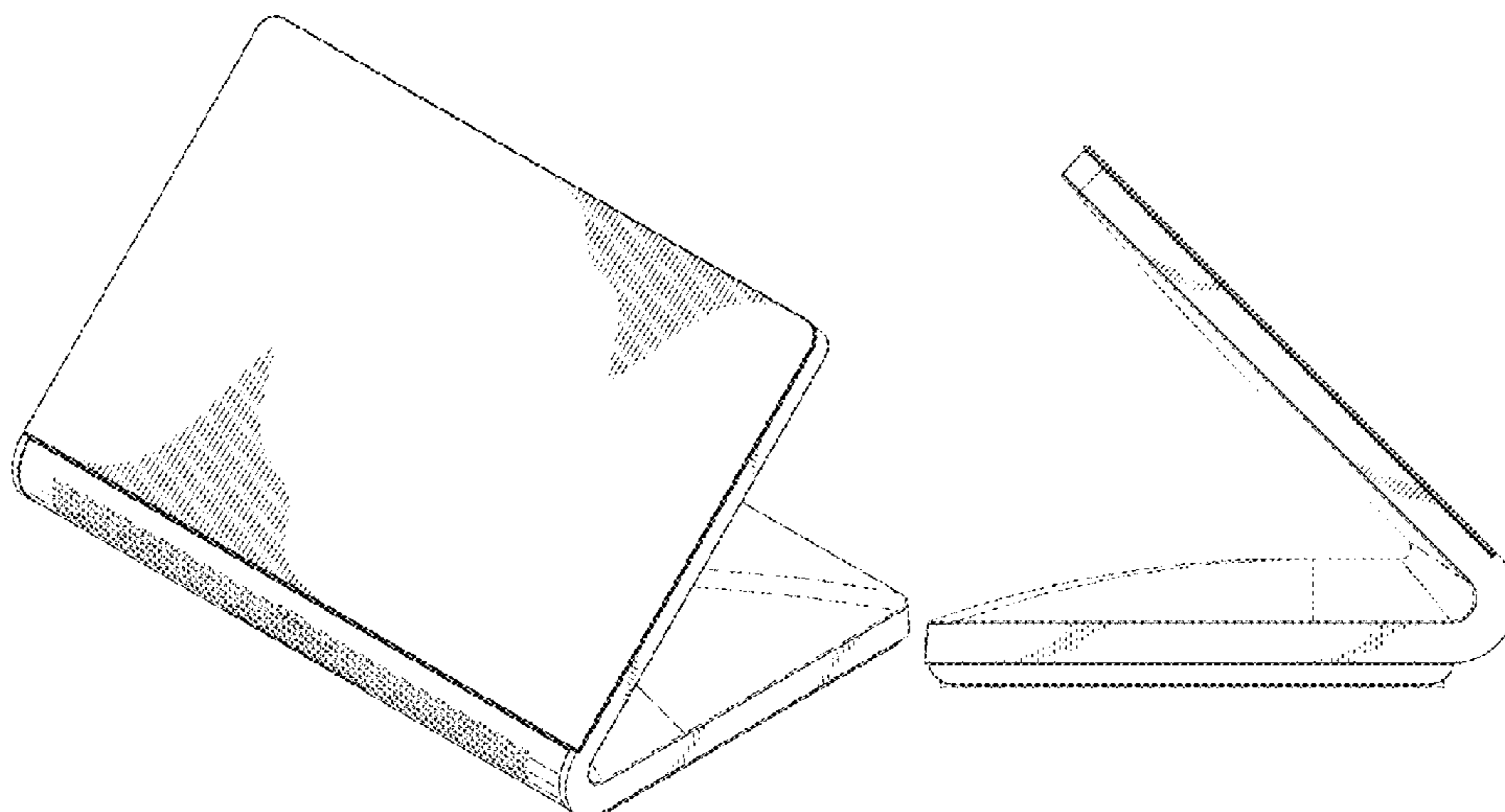
The ornamental design for a tabletop touchscreen panel, as shown and described.

DESCRIPTION

FIG. 1 shows a front perspective view of a tabletop touchscreen panel according to an embodiment; FIG. 2 shows a rear perspective view thereof; FIG. 3 shows a front elevation view thereof; FIG. 4 shows a rear elevation view thereof; FIG. 5 shows a left elevation view thereof; FIG. 6 shows a right elevation view thereof; FIG. 7 shows a top plan view thereof; and FIG. 8 shows a bottom plan view thereof; FIG. 9 shows a front perspective view of a tabletop touchscreen panel according to another embodiment; FIG. 10 shows a rear perspective view thereof; FIG. 11 shows a front elevation view thereof; FIG. 12 shows a rear elevation view thereof; FIG. 13 shows a left elevation view thereof; FIG. 14 shows a right elevation view thereof; FIG. 15 shows a top plan view thereof; FIG. 16 shows a bottom plan view thereof; and, FIG. 17 shows an enlarged view of the portion labeled ‘17’ of FIG. 3.

The broken lines depict portions of the tabletop touchscreen panel and form no part of the claimed design. The dot-dashed broken lines in FIGS. 3 and 17 show the boundary of the enlarged view and form no part of the claimed design.

1 Claim, 17 Drawing Sheets



(58) **Field of Classification Search**

CPC H04M 1/0279; H04M 1/0281; H04M
1/0283; G06F 3/041; G06F 3/0412; G06F
3/0416; G06F 3/0488; G06F 3/04886;
G06F 3/1613; G06F 3/1626

See application file for complete search history.

D911,994 S 3/2021 Amarosa
D969,802 S 11/2022 Zhu
D969,803 S 11/2022 Zhu
D994,658 S * 8/2023 Obrecht D14/307
D1,015,286 S * 2/2024 Kim D14/126
2019/0066076 A1* 2/2019 Lee G07G 1/0018

(56) **References Cited**

U.S. PATENT DOCUMENTS

D477,084 S * 7/2003 Menezes D24/172
D545,782 S * 7/2007 Schiller D14/126
D563,405 S 3/2008 Taniho
D589,829 S * 4/2009 Friedli D10/108
D646,904 S 10/2011 Feldstein
D654,450 S * 2/2012 McManigal D14/129
D661,266 S 6/2012 Laube
D677,668 S * 3/2013 Phillips D14/440
D679,018 S * 3/2013 Fullerton D24/167
D691,818 S * 10/2013 Shibata D6/308
D697,910 S 1/2014 Bianco
D720,393 S 12/2014 Held
D750,053 S * 2/2016 Shin D14/239
D773,455 S * 12/2016 Lee D14/341
D773,554 S 12/2016 Zong
D778,982 S 2/2017 Beatty
D794,580 S * 8/2017 Dimberg D13/168
D814,559 S 4/2018 Oross
D834,541 S * 11/2018 You D13/168
D844,010 S * 3/2019 Owens D14/434
D856,410 S 8/2019 Lee
D861,778 S 10/2019 Day
D907,032 S 1/2021 Solomon
D908,652 S 1/2021 Kennedy

OTHER PUBLICATIONS

“TheAwesomer AlessiTab Tablet” Sep. 27, 2010, TheAwesomer, site visited Mar. 7, 2024: <https://theawesomer.com/alessitab-tablet/63258/> (Year: 2010).*

“13.3 Inch IPS 1920 1080 USB-C With PD Fast Charge Portable Monitor (M133)”, <https://magedok-shop.myshopify.com/products/13-3-inch-ips-1920-1080-usb-c-with-pd-fast-charge-portable-monitor-m133>.

“ASUS ZenScreen Go MB16AP—LCD monitor—15.6”—portable—1920×1080 Full HD (1080p)—IPS—220 cd/m²—800:1—USB-C—dark grey”, <https://www.huntoffice.ie/asus-zenscreen-go-mb16ap-lcd-monitor-15-6-portable-1920-x-1080-full-hd-1080p-ips-220-cd-m-800-1-usb-c-dark-grey-mb16ap-5063818.html>.

“Control4® T3 Series 10" Portable Touch Screen”, <https://lifestylestore.com.au/product/control4-10-portable-touch-screen/>.

“Lexuma Xscreen Plus—15.6 Inch 4K UHD Touch Portable Monitor With Type-C Hdmi”, <https://www.lexuma.com/products/lexuma-xscreen-15-6-inch-4k-uhd-touch-portable-monitor-with-type-c-hdmi-1080p-with-built-in-battery>.

AMX, “Modero X Series G4. Installation Hardware Reference Manual”, https://www.amx.com/en/site_elements/installation-hardware-reference-manual-modero-x-series-g4-touch-panels, 2015.

“Polycom 8200-84190-001 Polycom RealPresence Touch for use wGS”, <https://a.co/d/1hQR01r>, 2016.

* cited by examiner

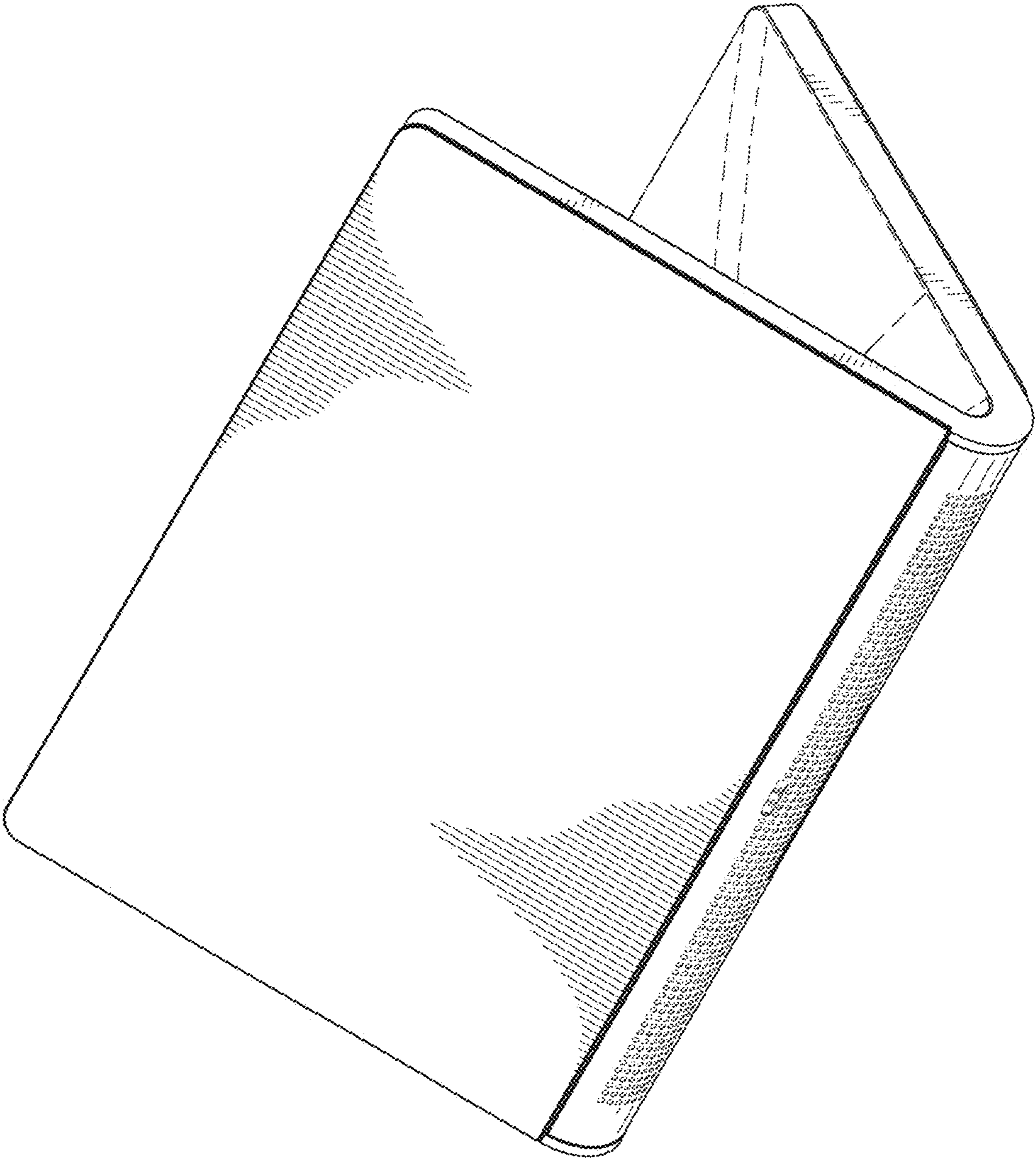


FIG. 1

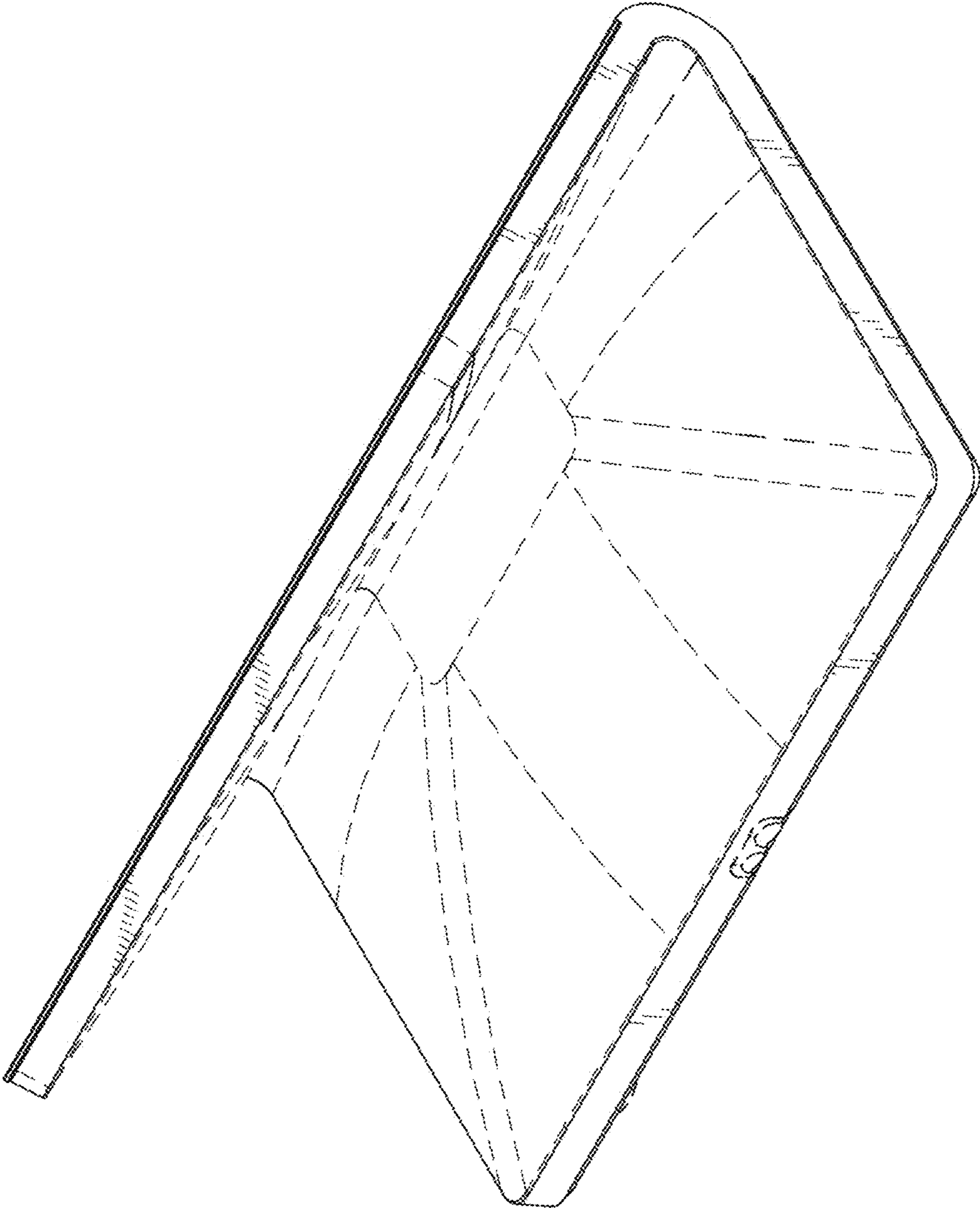


FIG. 2

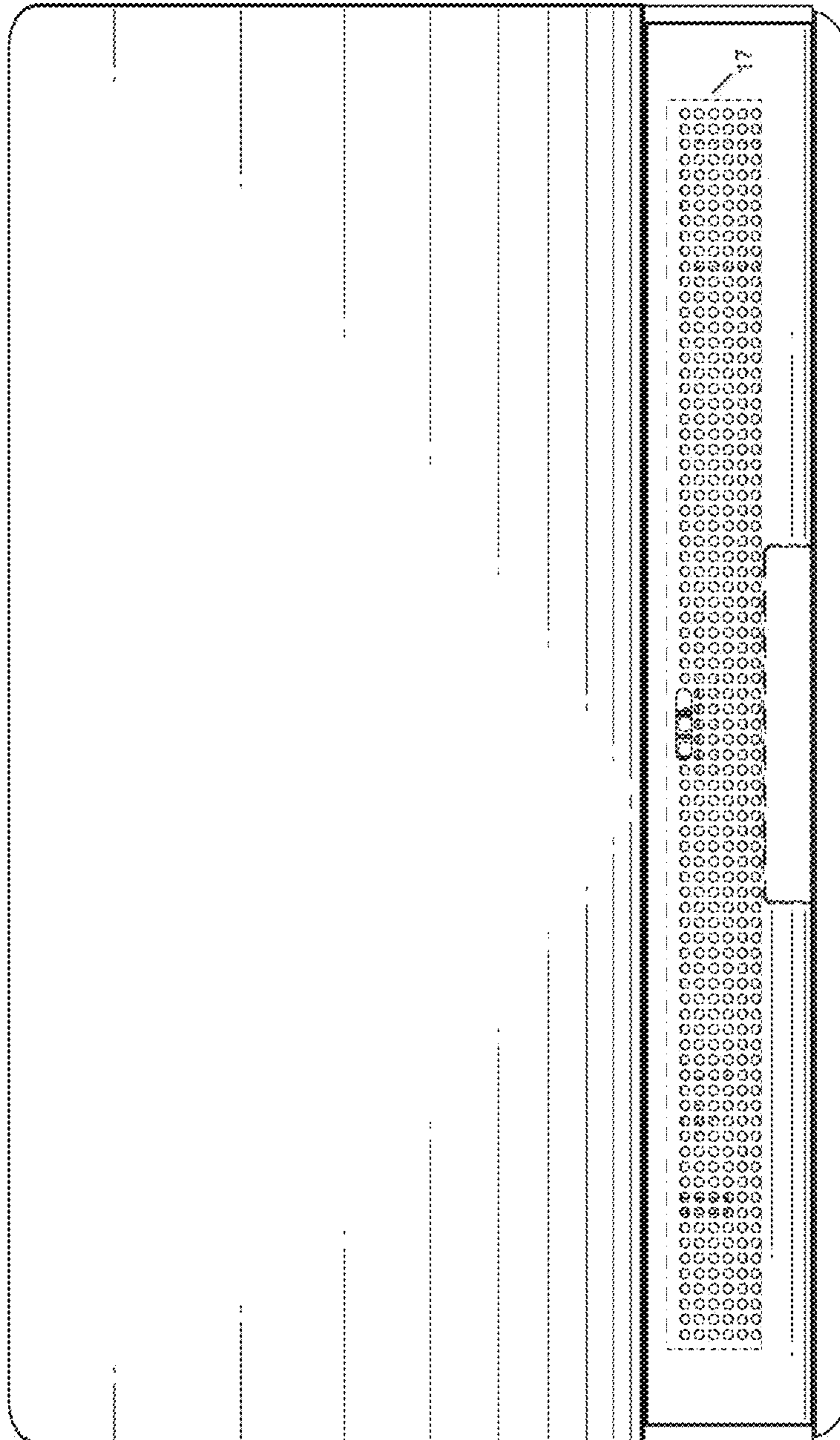


FIG. 3

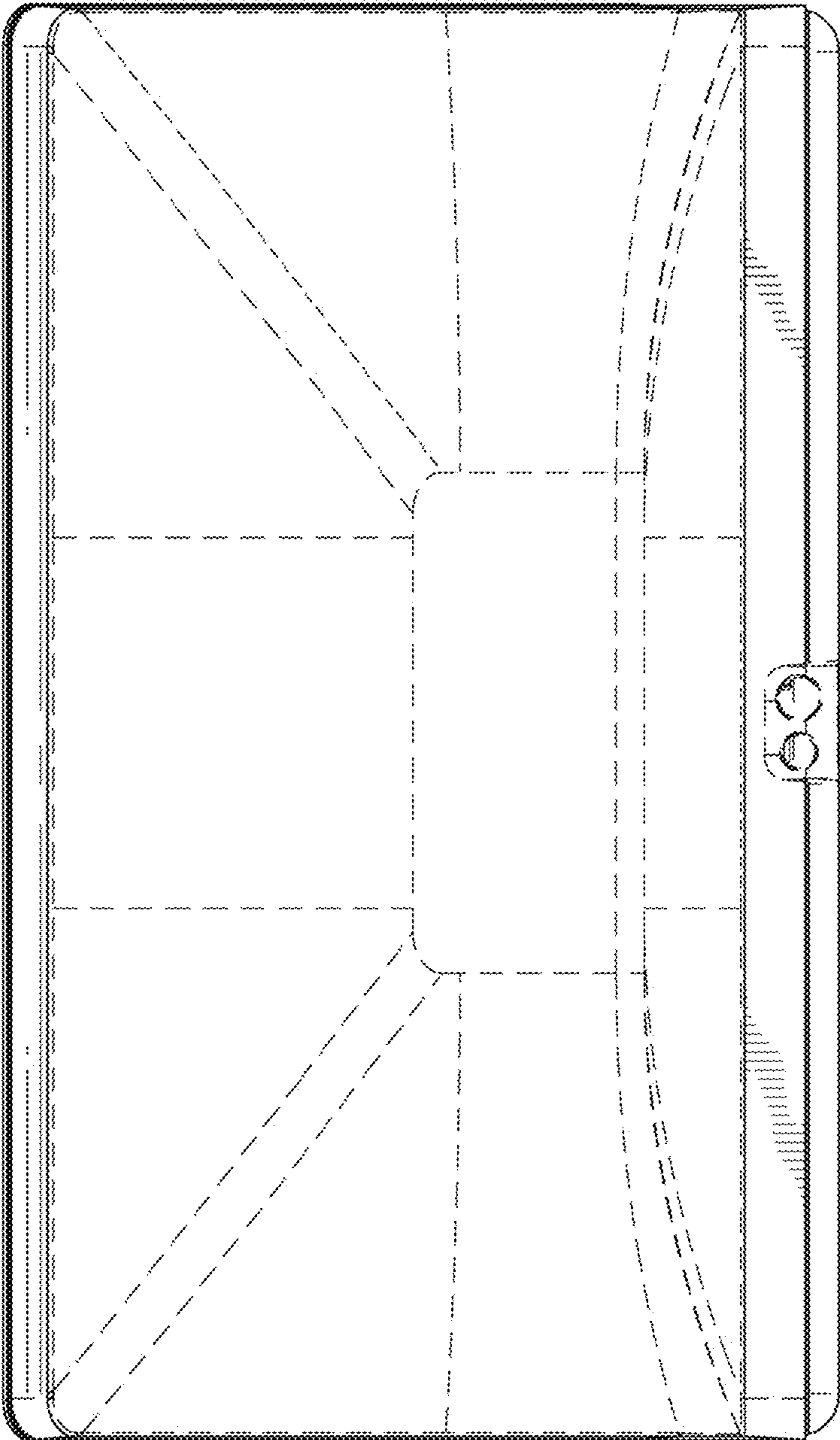


FIG. 4

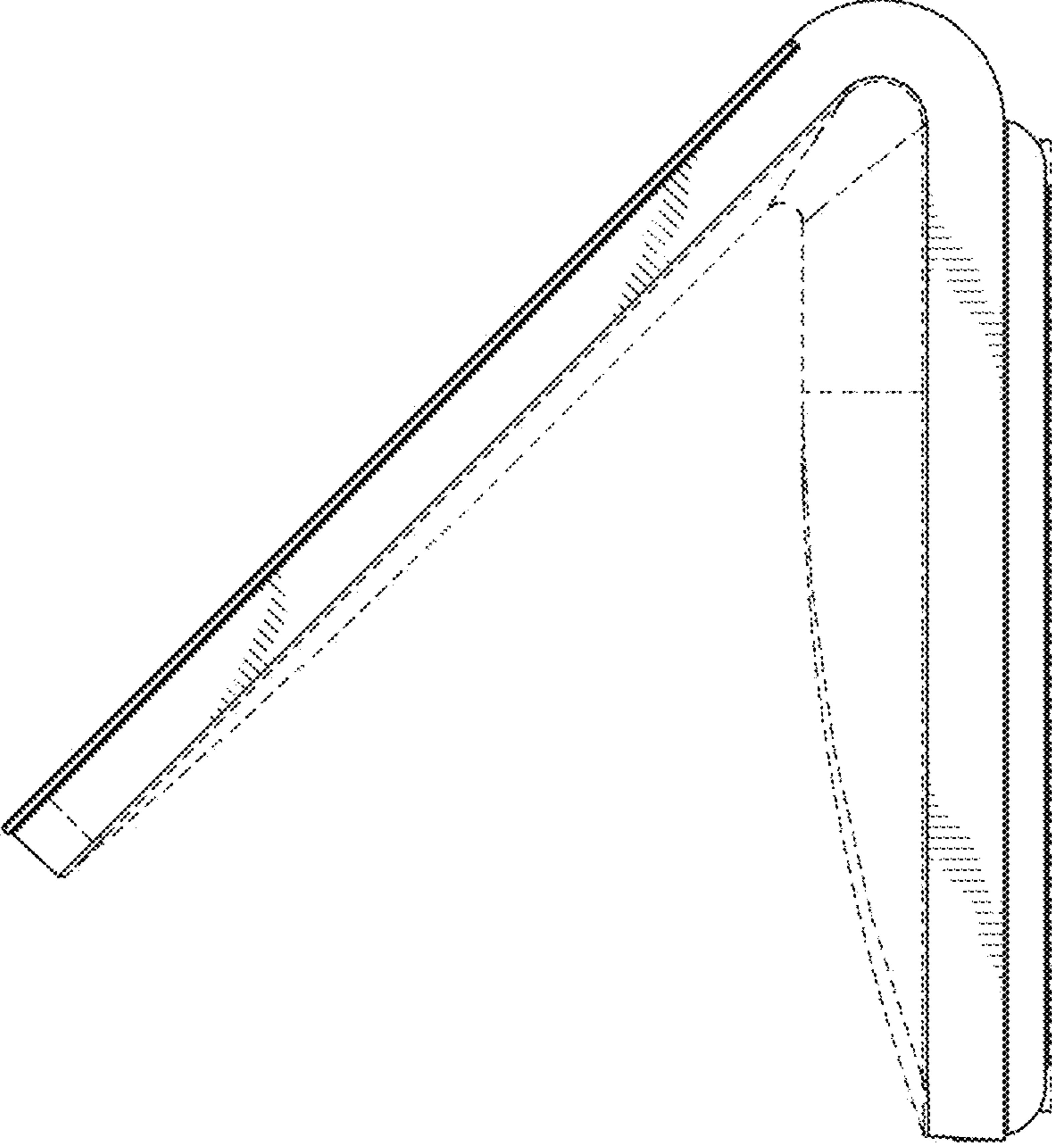


FIG. 5

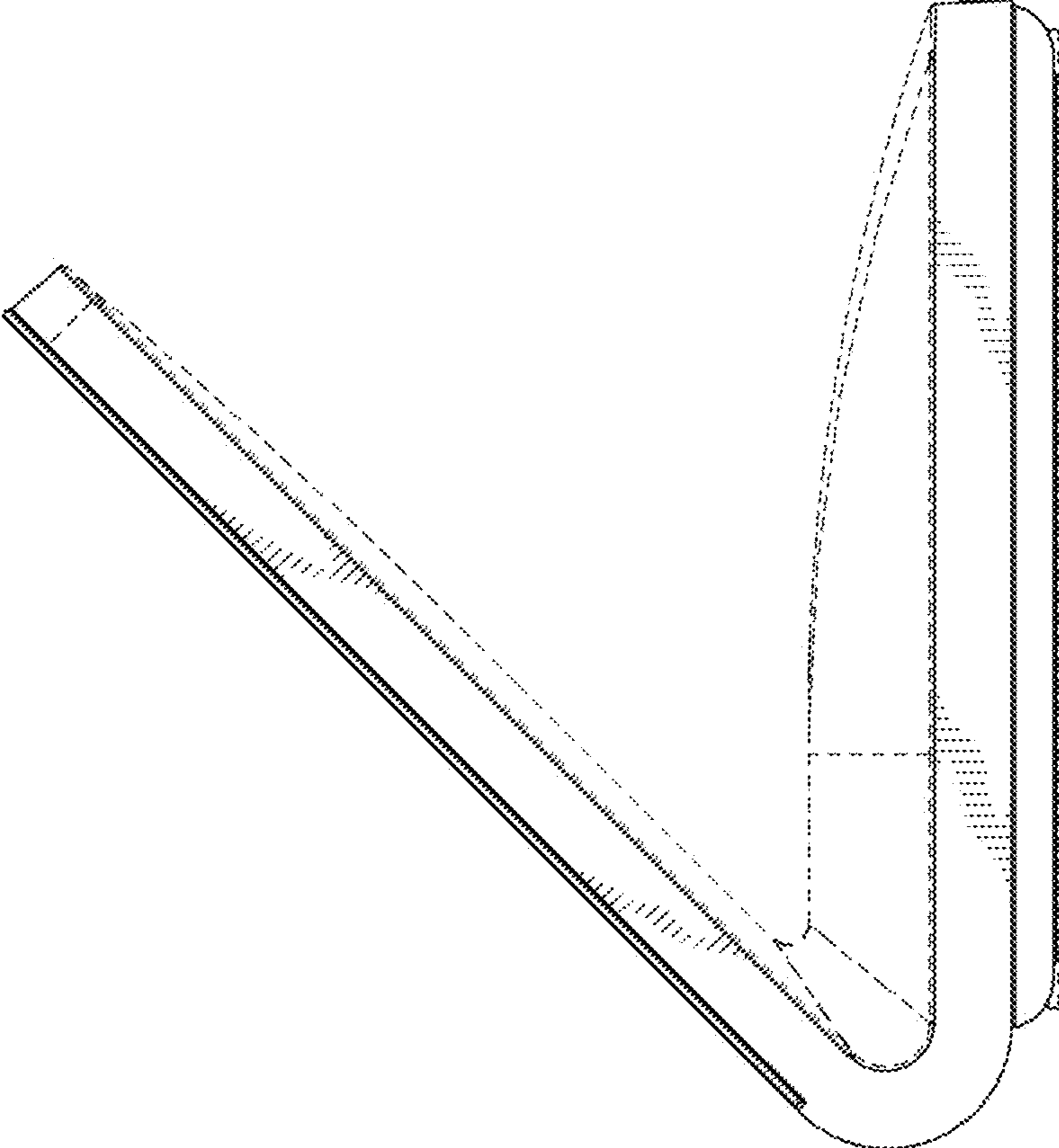


FIG. 6

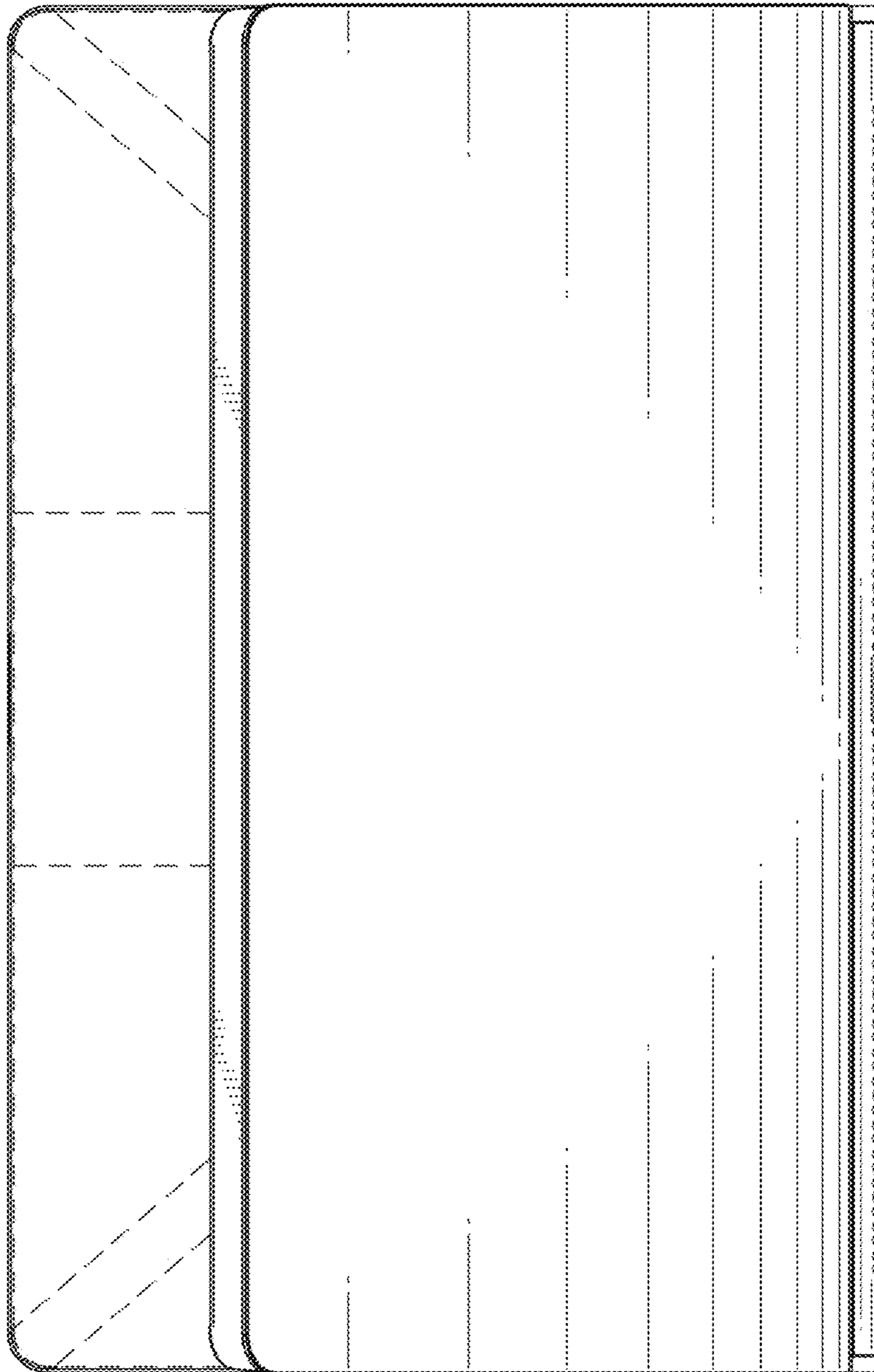


FIG. 7

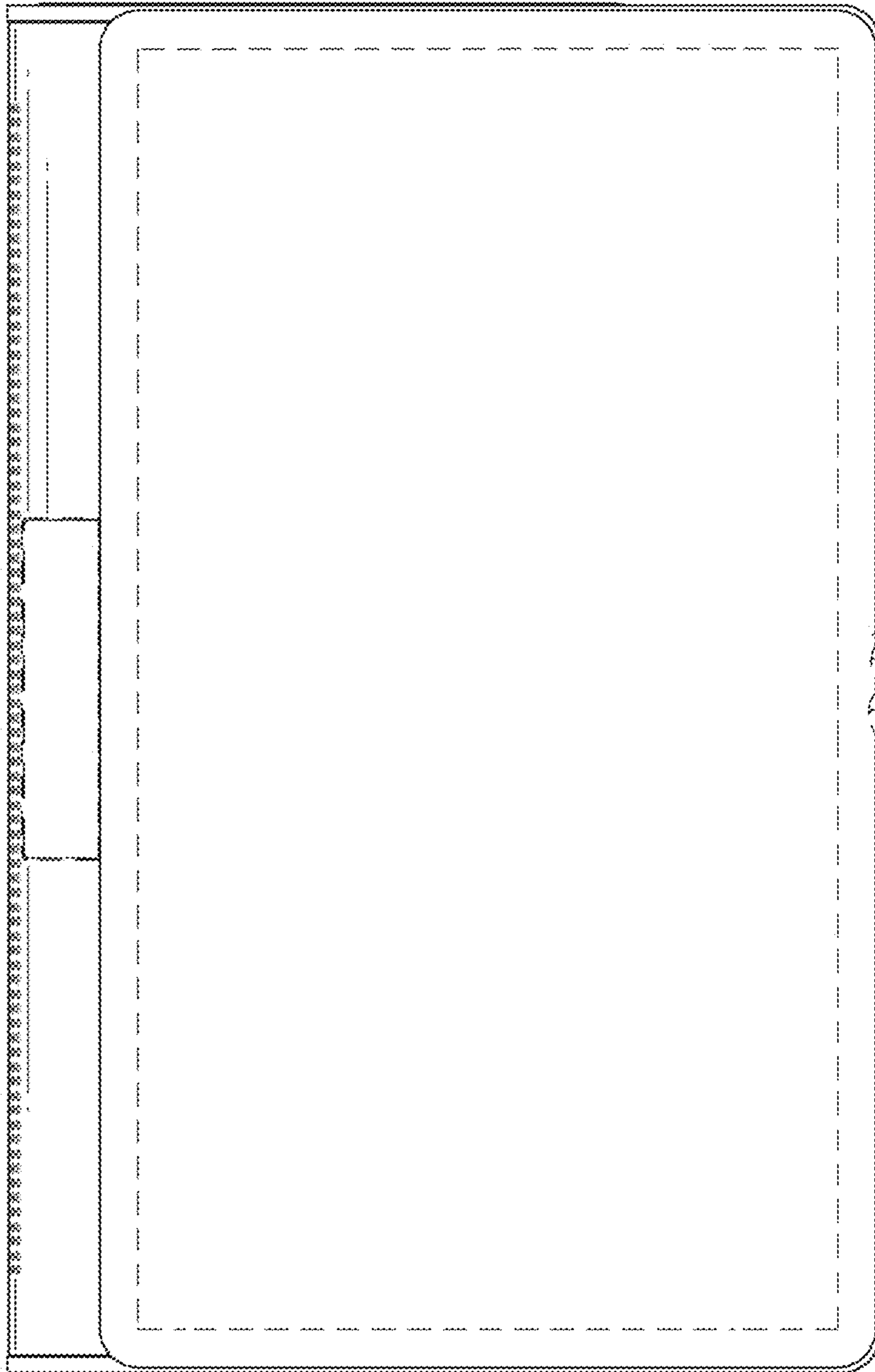


FIG. 8

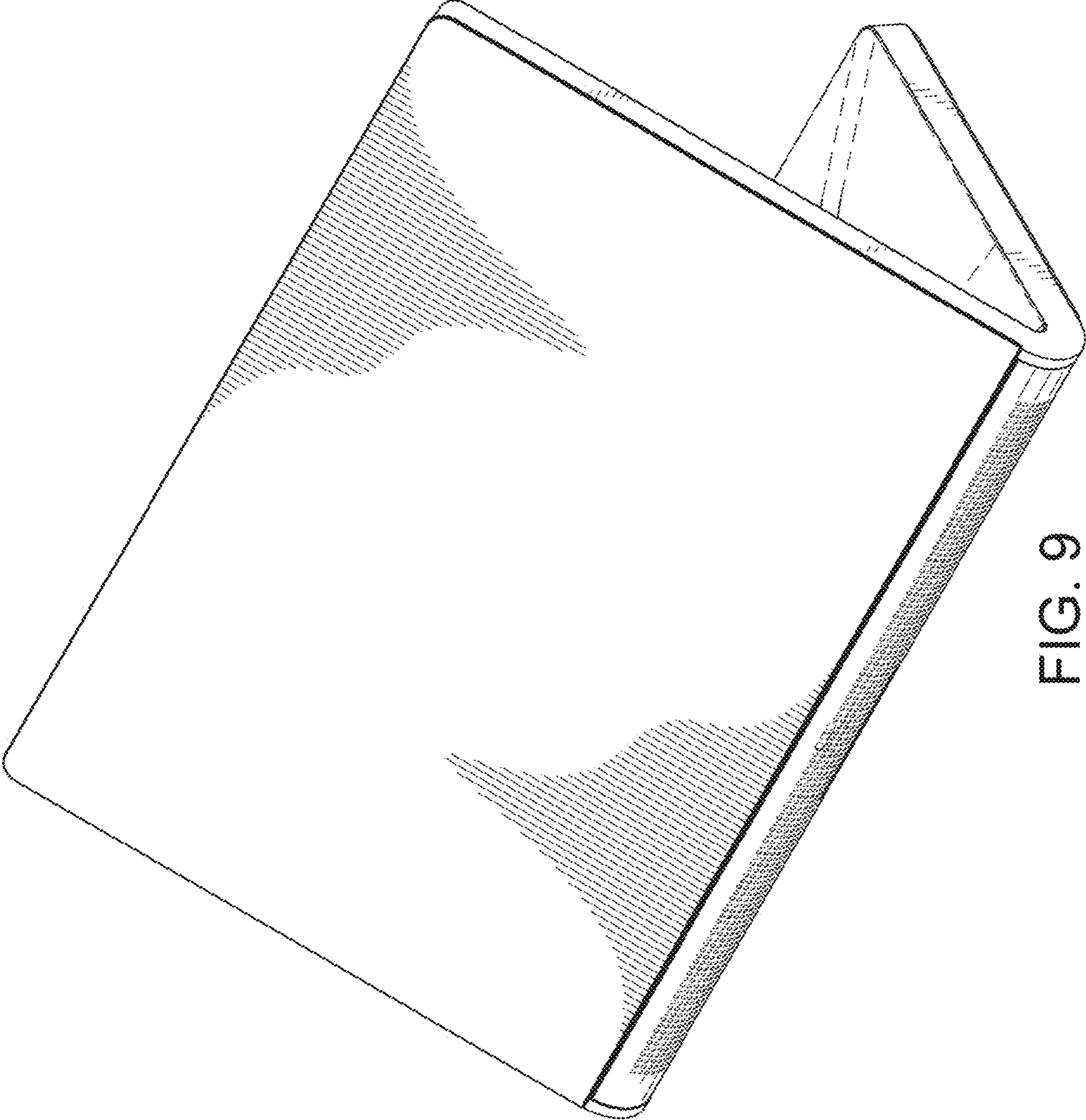


FIG. 9

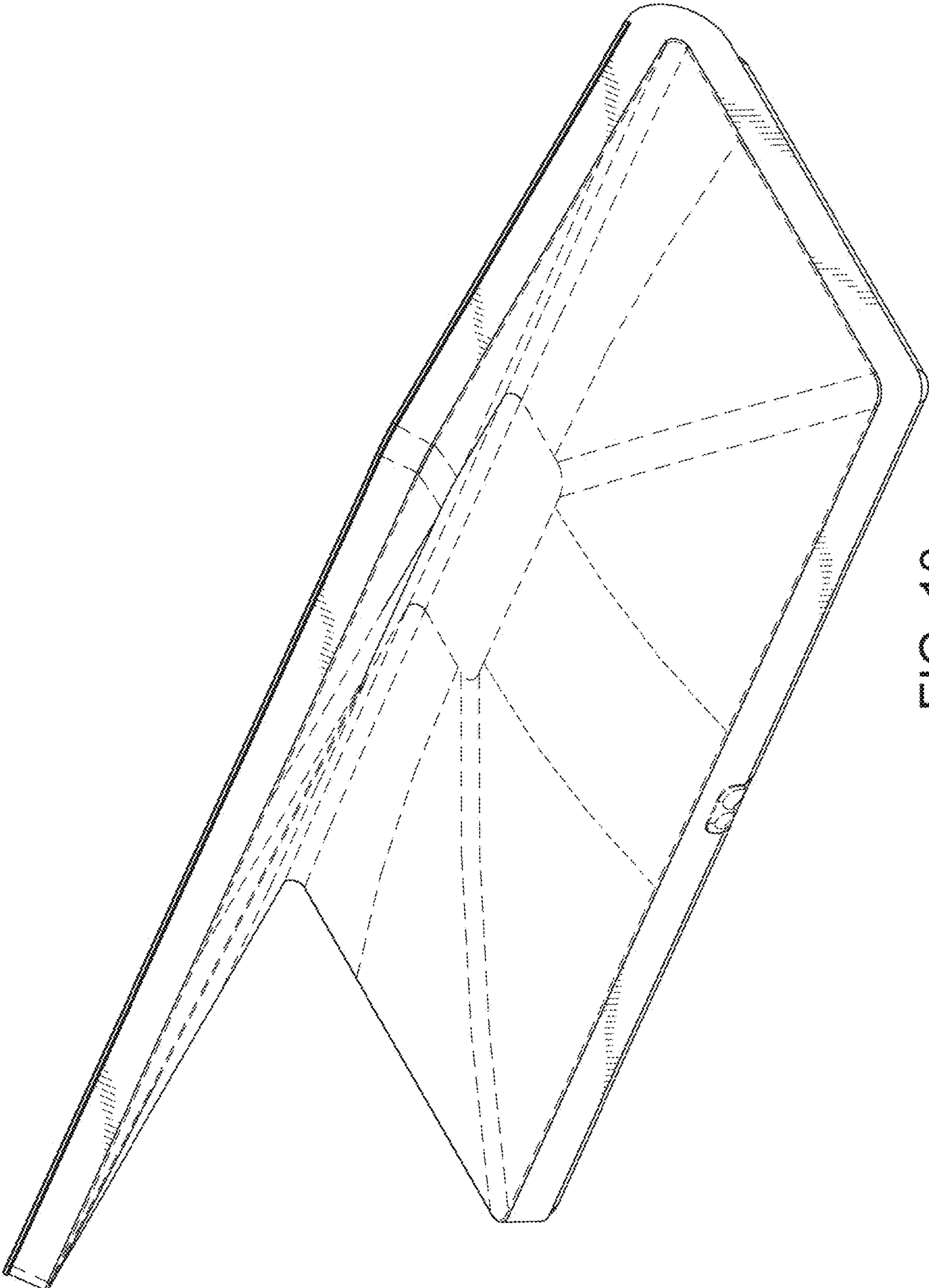


FIG. 10

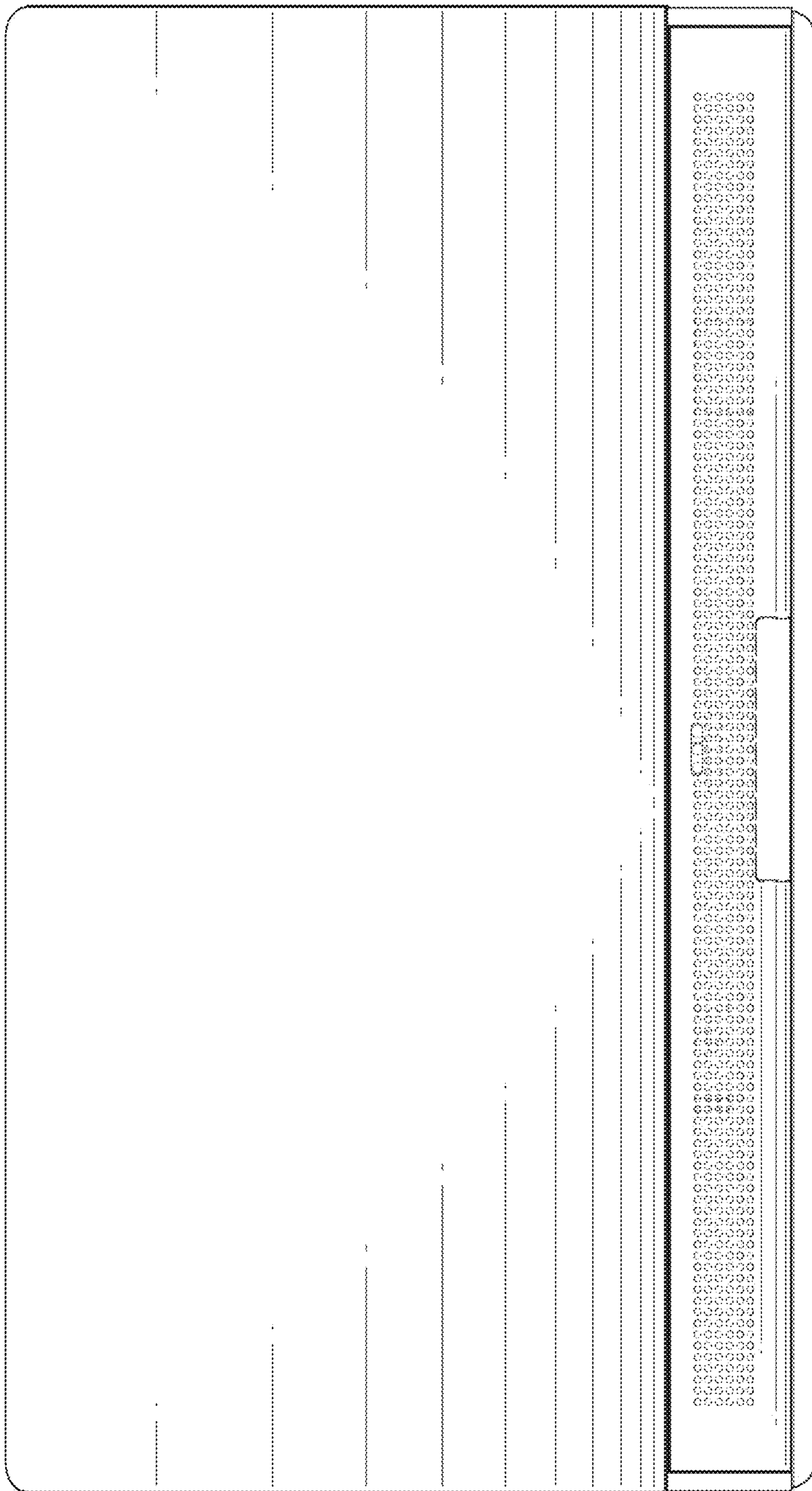


FIG. 11

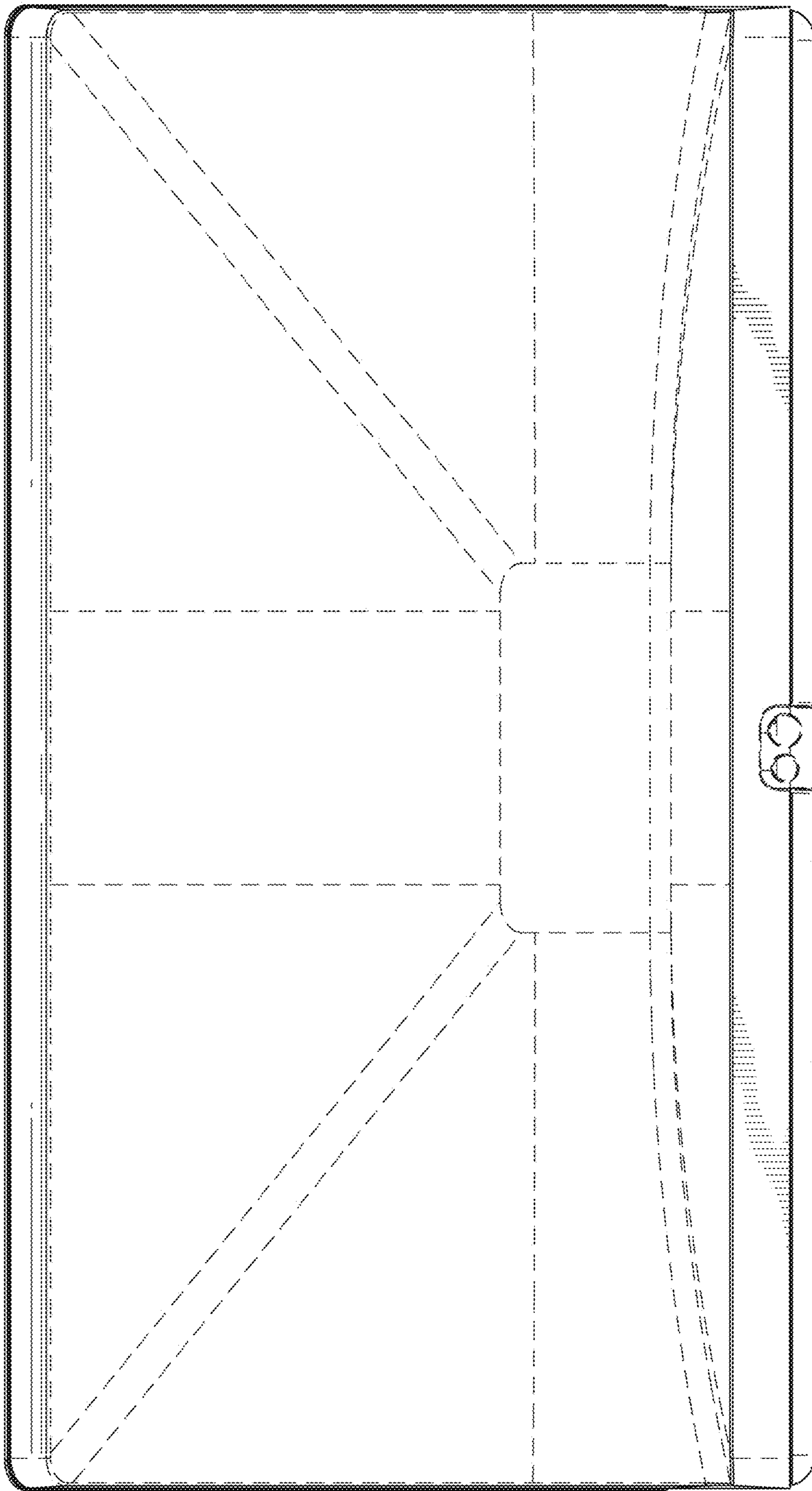


FIG. 12

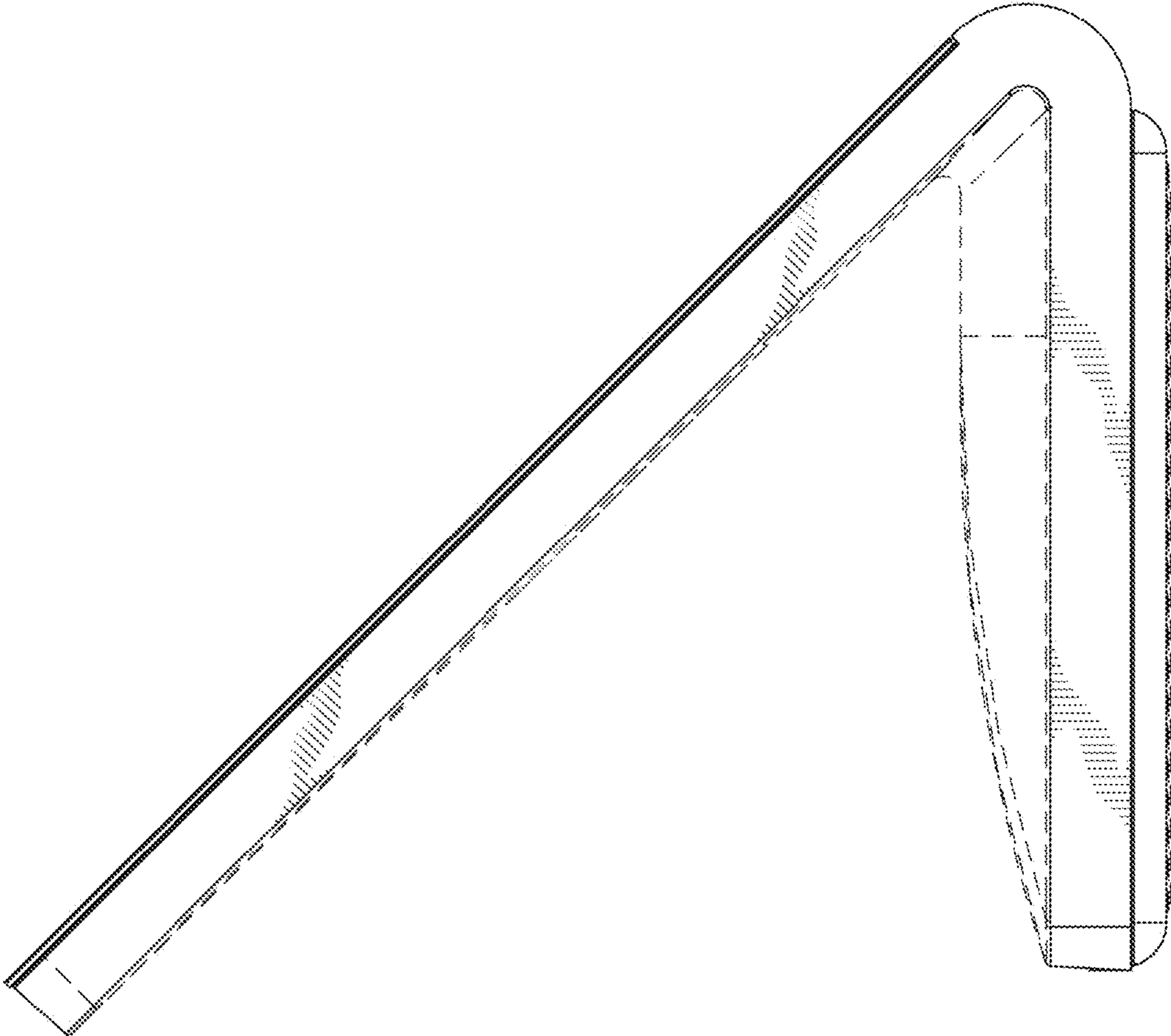


FIG. 13

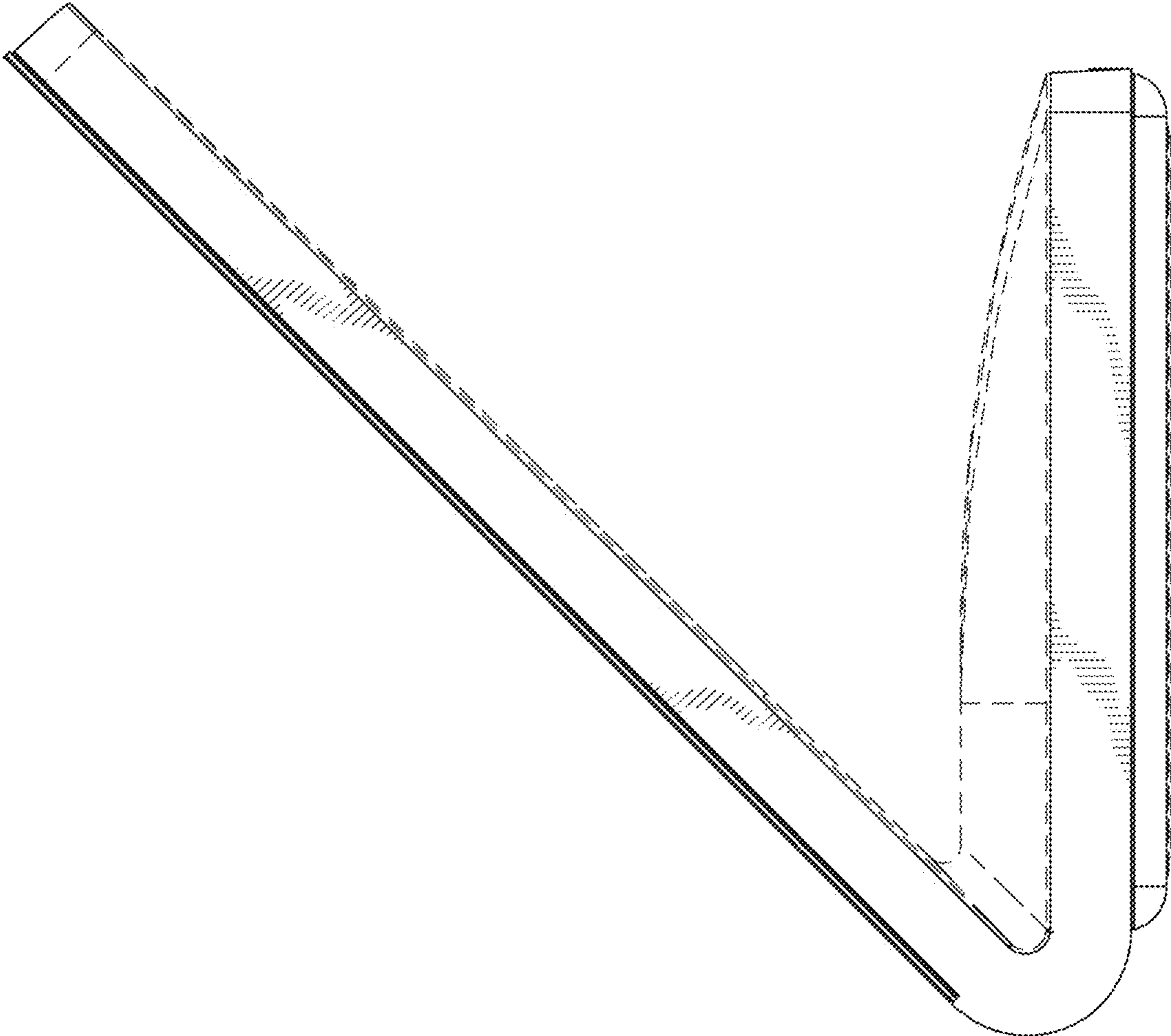


FIG. 14

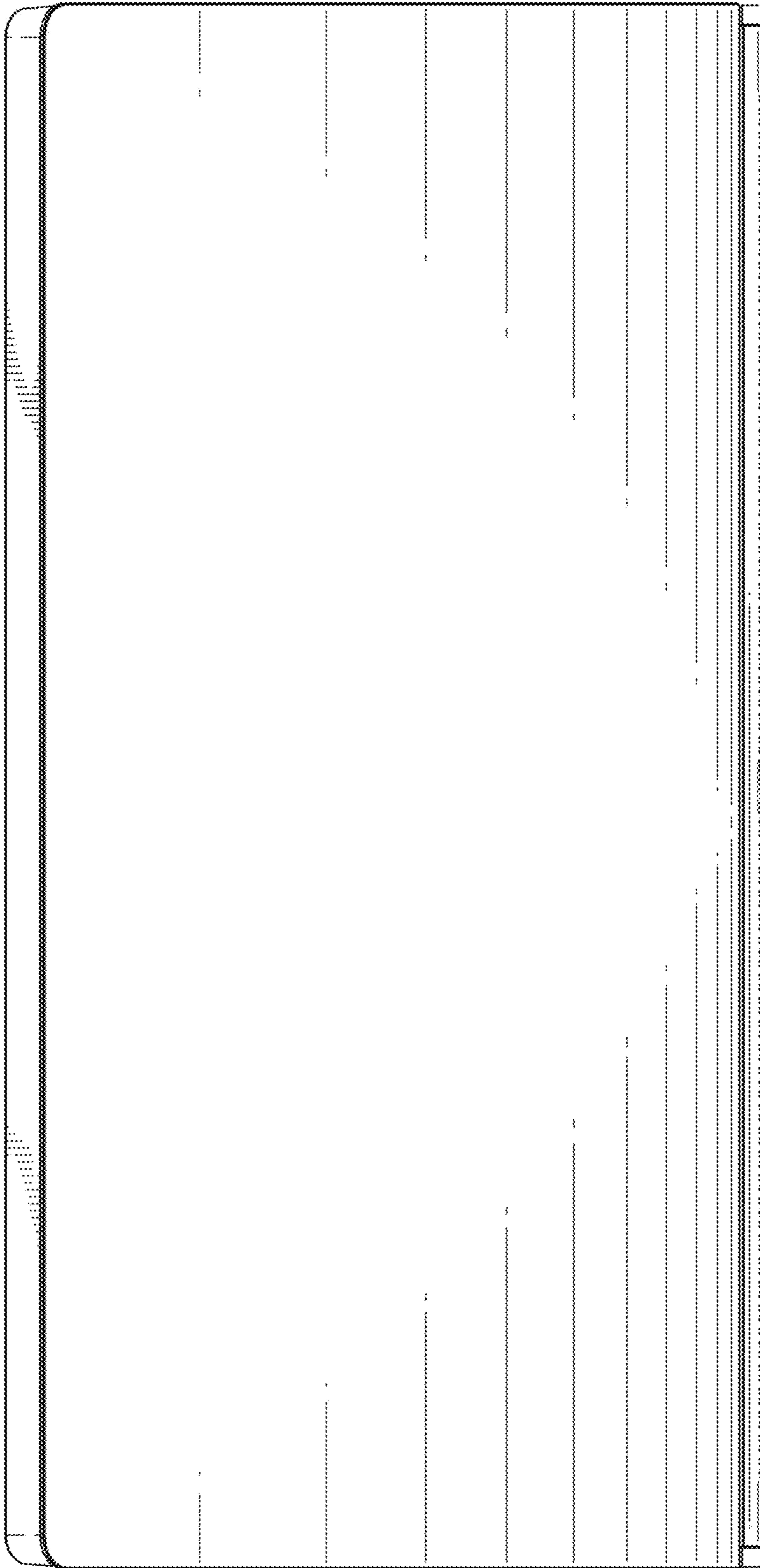


FIG. 15

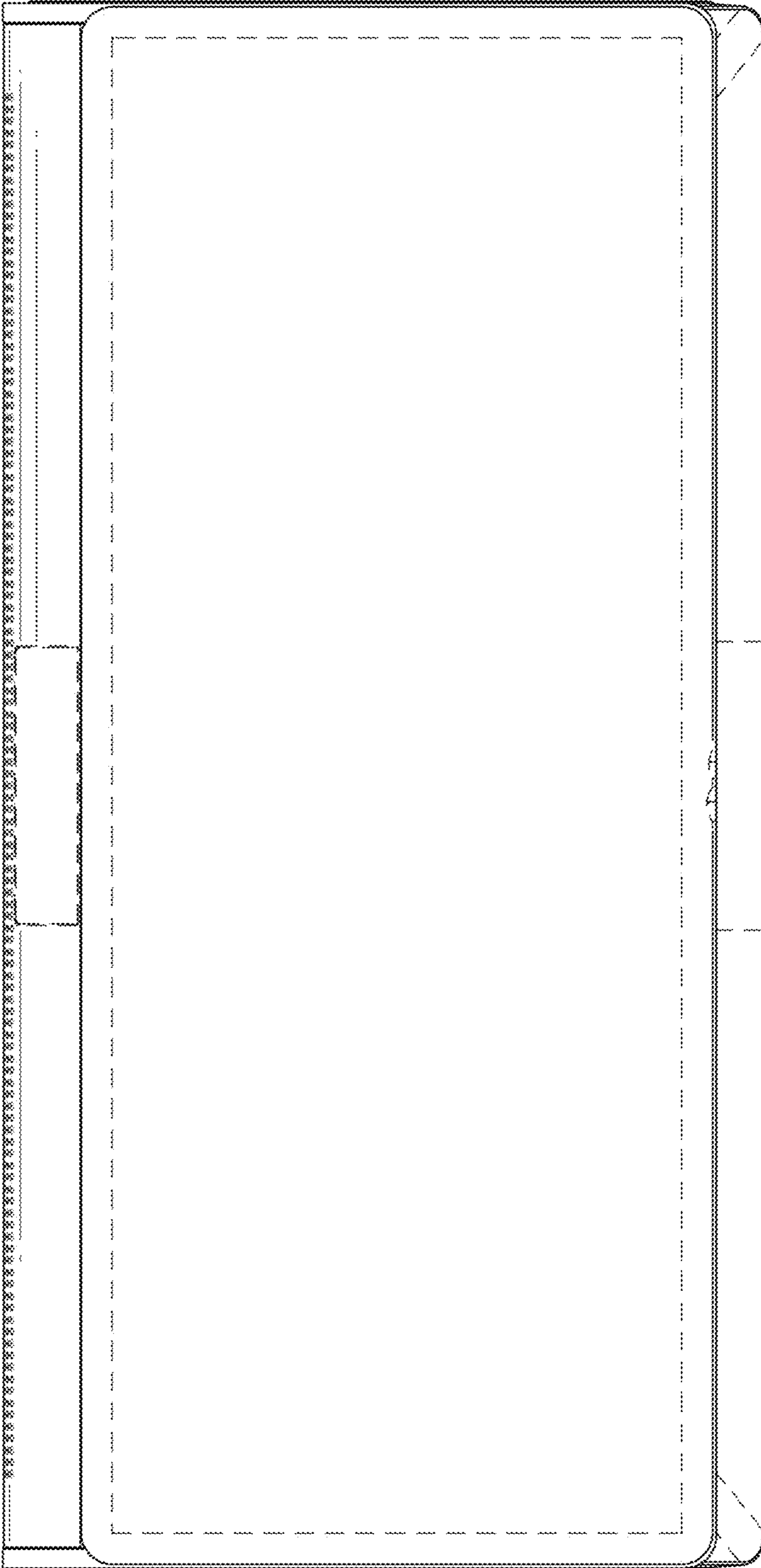


FIG. 16

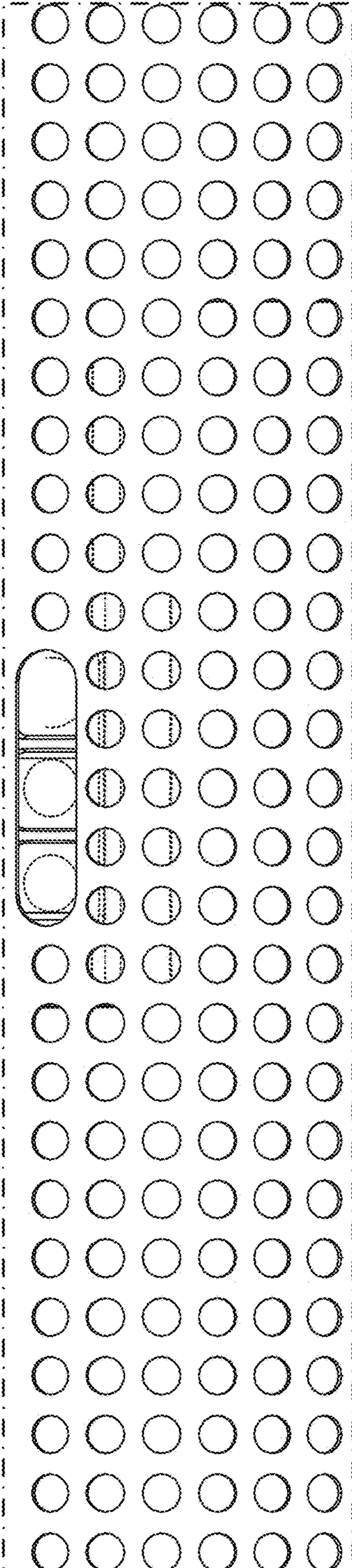


FIG. 17