

US0D1027718S

(12) **United States Design Patent** (10) **Patent No.:** **US D1,027,718 S**
Park et al. (45) **Date of Patent:** **** May 21, 2024**

(54) **INDOOR PLANT CULTIVATOR**

- (71) Applicant: **LG ELECTRONICS INC.**, Seoul (KR)
- (72) Inventors: **Jinhee Park**, Seoul (KR); **Kyukwan Choi**, Seoul (KR); **Jinwon Kang**, Seoul (KR)
- (73) Assignee: **LG ELECTRONICS INC.**, Seoul (KR)
- (**) Term: **15 Years**

(21) Appl. No.: **29/828,437**

(22) Filed: **Feb. 25, 2022**

(30) **Foreign Application Priority Data**

Aug. 26, 2021 (KR) 30-2021-0040602

(51) **LOC (14) Cl.** **11-02**

(52) **U.S. Cl.**
USPC **D11/144**

(58) **Field of Classification Search**
USPC D11/143, 144, 145, 147, 148, 152, 155, D11/156, 164; D8/1; D26/55; D6/403,
(Continued)

(56) **References Cited**

U.S. PATENT DOCUMENTS

- 4,798,292 A * 1/1989 Hauze A61L 2/26
206/439
- D665,172 S * 8/2012 Fulghum A01G 7/045
D3/315

(Continued)

FOREIGN PATENT DOCUMENTS

- CN 305834958 * 6/2020
- CN 306188770 * 11/2020

(Continued)

OTHER PUBLICATIONS

Smart Garden. Online [website]. Amazon, Nov. 12, 2017, [retrieved on Jun. 27, 2023]. Retrieved from the internet: <https://www.amazon.de/dp/B0778YCS5T/ref=sspa_dk_detail_2>. (Year: 2017).*

(Continued)

Primary Examiner — Kathleen L Jones

Assistant Examiner — Grace Doyle

(74) *Attorney, Agent, or Firm* — Birch, Stewart, Kolasch & Birch, LLP

(57) **CLAIM**

The ornamental design for an indoor plant cultivator, as shown and described.

DESCRIPTION

FIG. 1 is a front perspective view of the indoor plant cultivator showing our new design;
 FIG. 2 is a front view thereof;
 FIG. 3 is a back view thereof;
 FIG. 4 is a left side view thereof;
 FIG. 5 is a right side view thereof;
 FIG. 6 is a top plan view thereof;
 FIG. 7 is a bottom plan view thereof;
 FIG. 8 is a perspective view of the indoor plant cultivator shown in an environment of use with a broken line seed kit; and
 FIG. 9 is an exploded perspective view with the water tank separated and showing the environmental structure of a seed kit.

The broken lines depict portions of the Indoor plant cultivator that form no part of the claimed design. The dash-dot broken lines define the boundary of the claimed design and form no part thereof. The broken lines in FIGS. 8 and 9 showing a seed kit show environmental structure only and form no part of the claimed design.

1 Claim, 9 Drawing Sheets

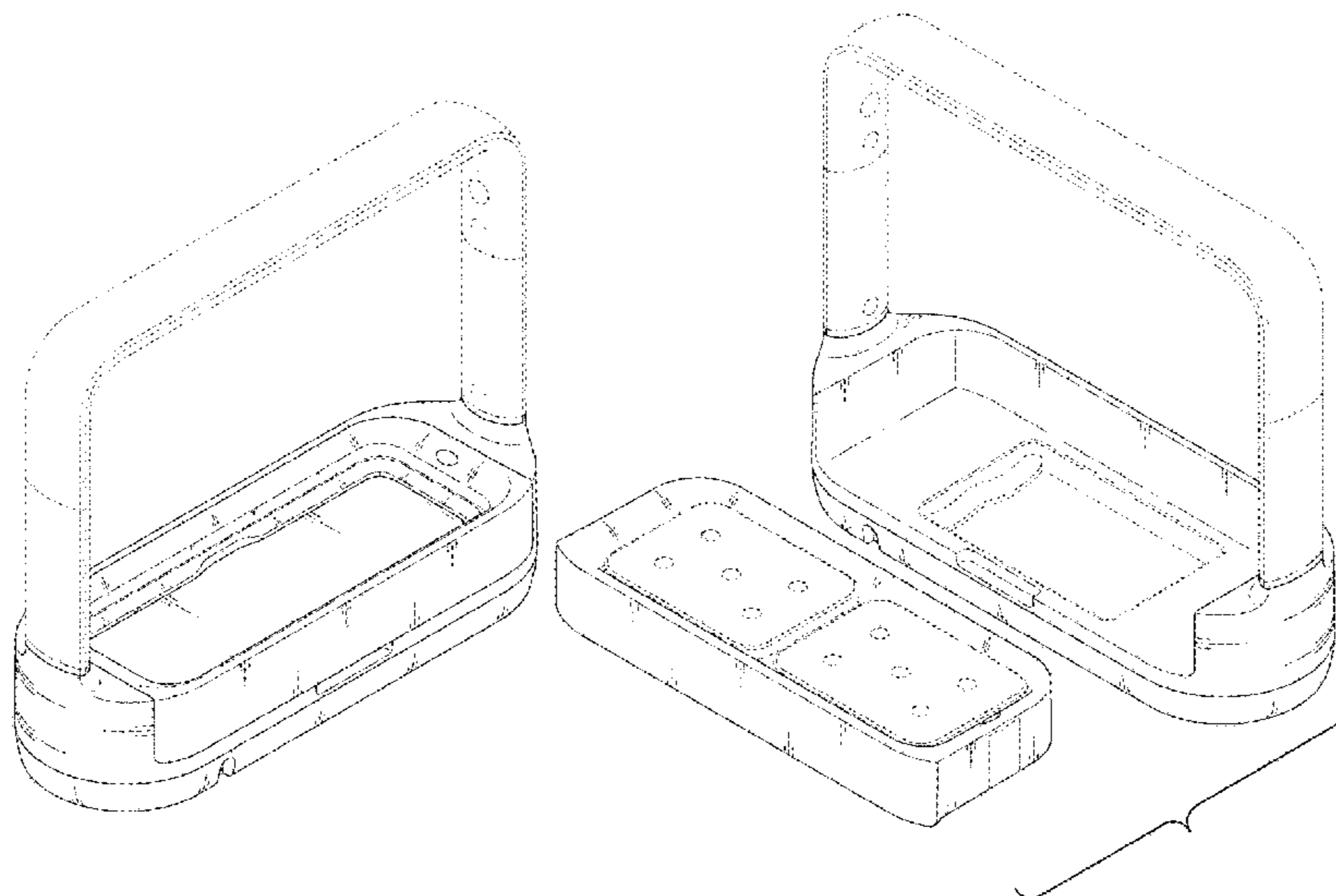


FIG. 1

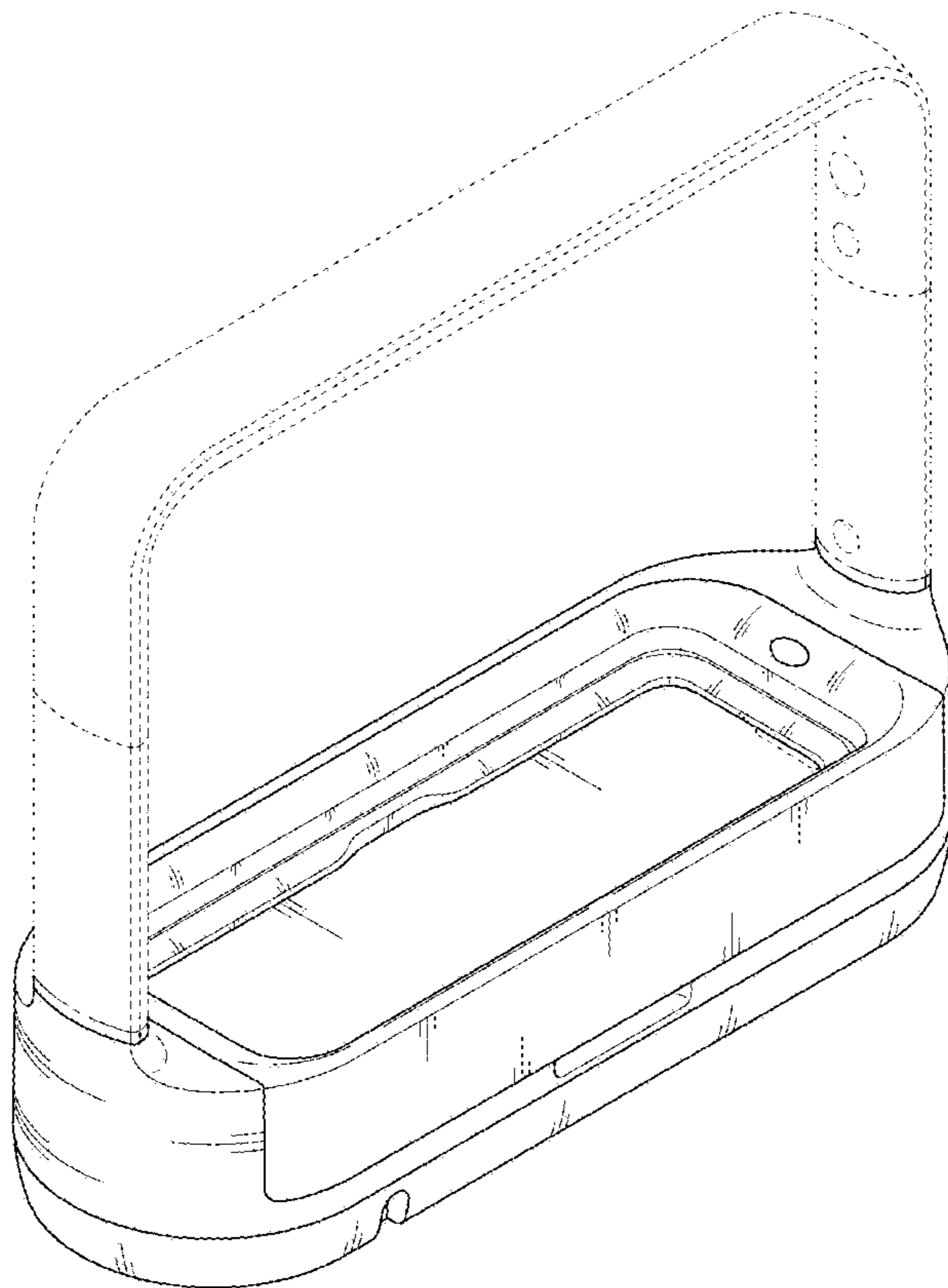


FIG. 2

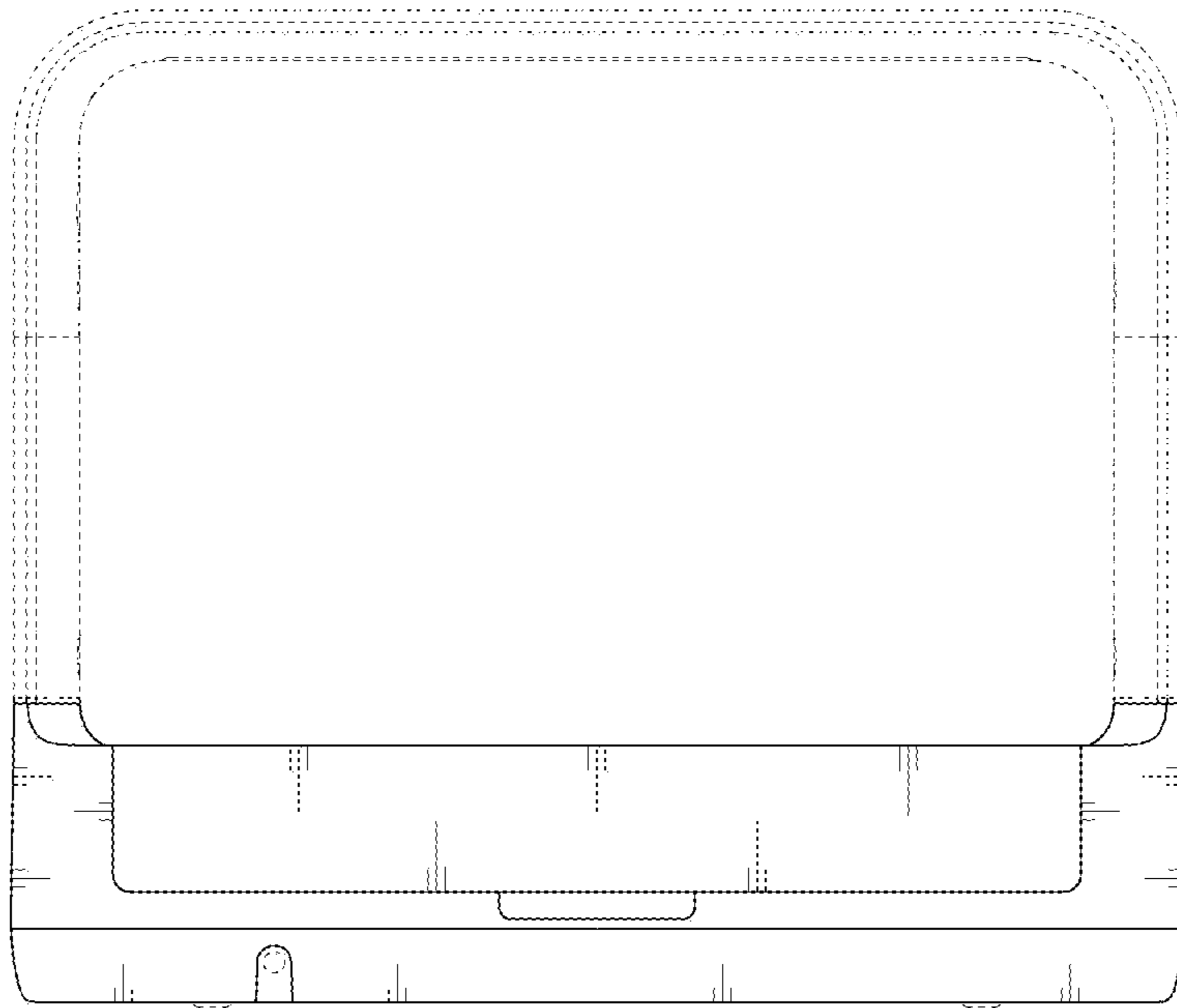


FIG. 3

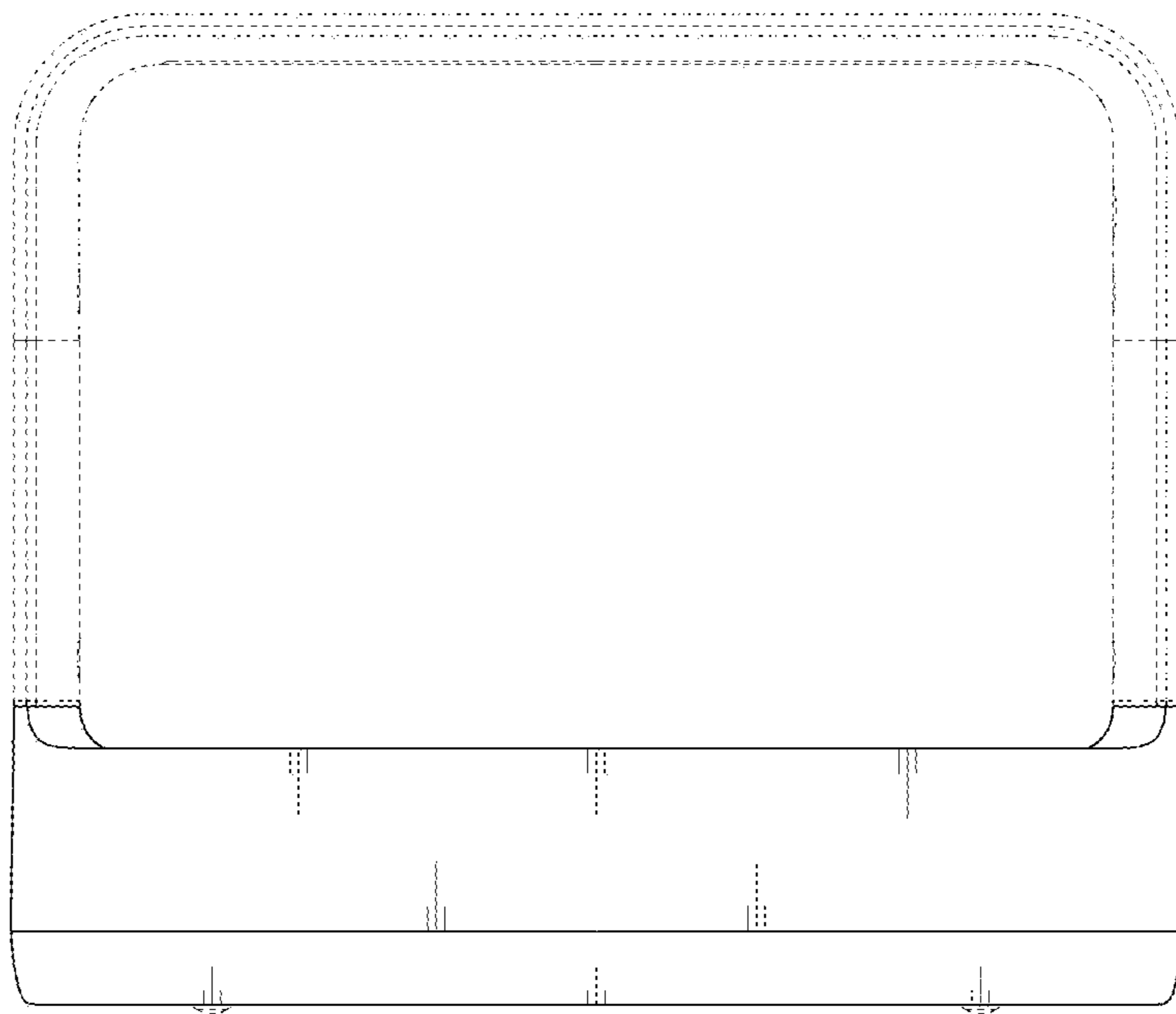


FIG. 4

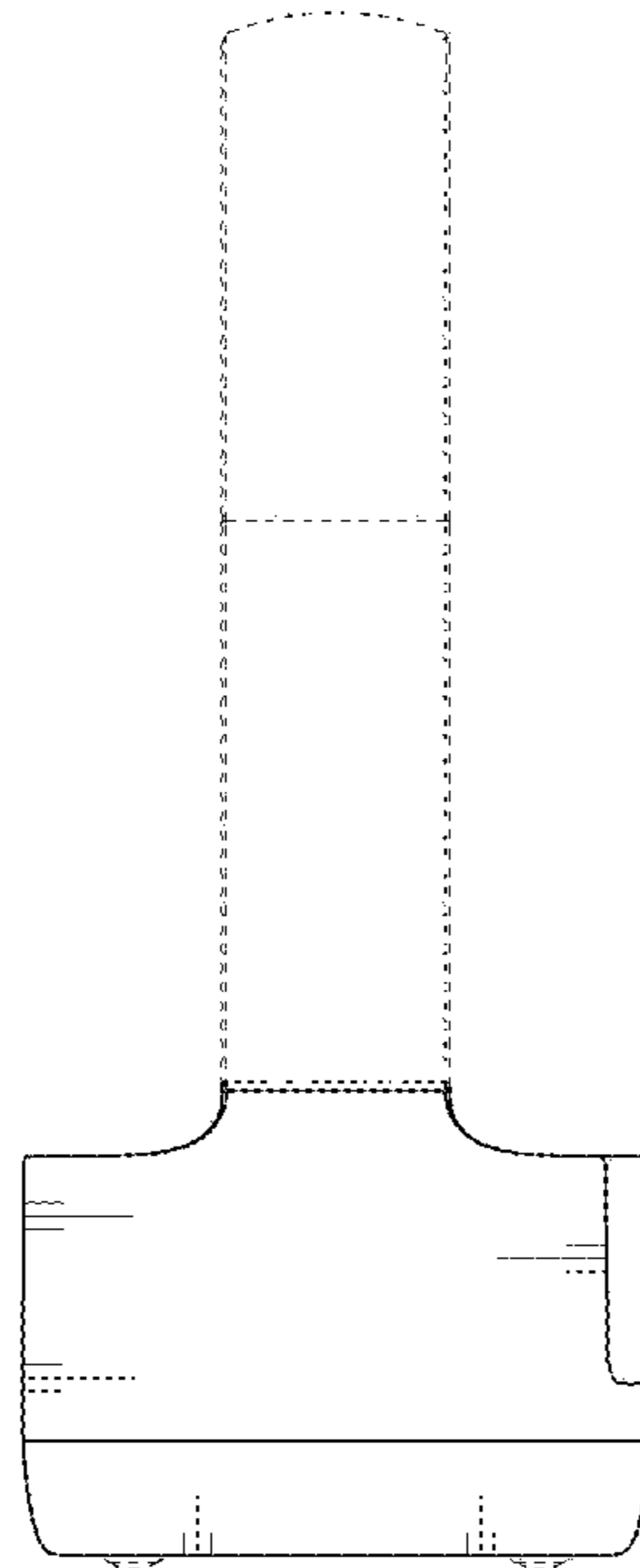


FIG. 5

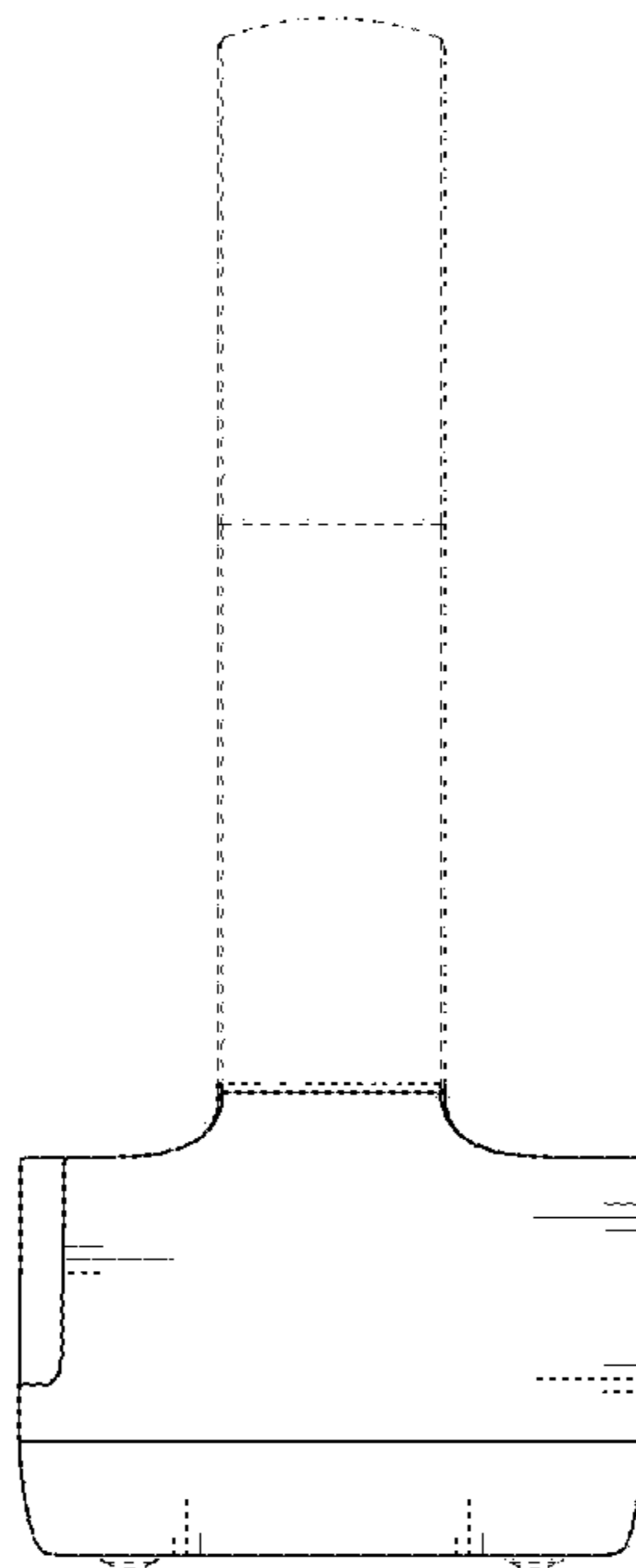


FIG. 6

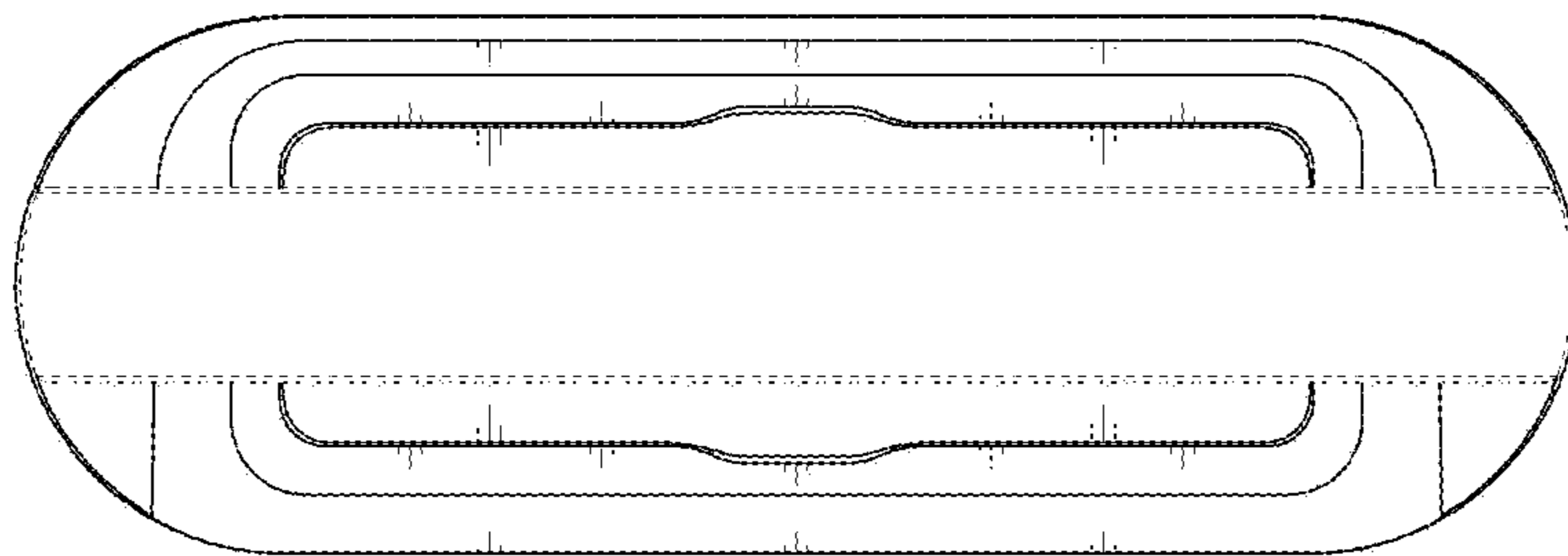


FIG. 7

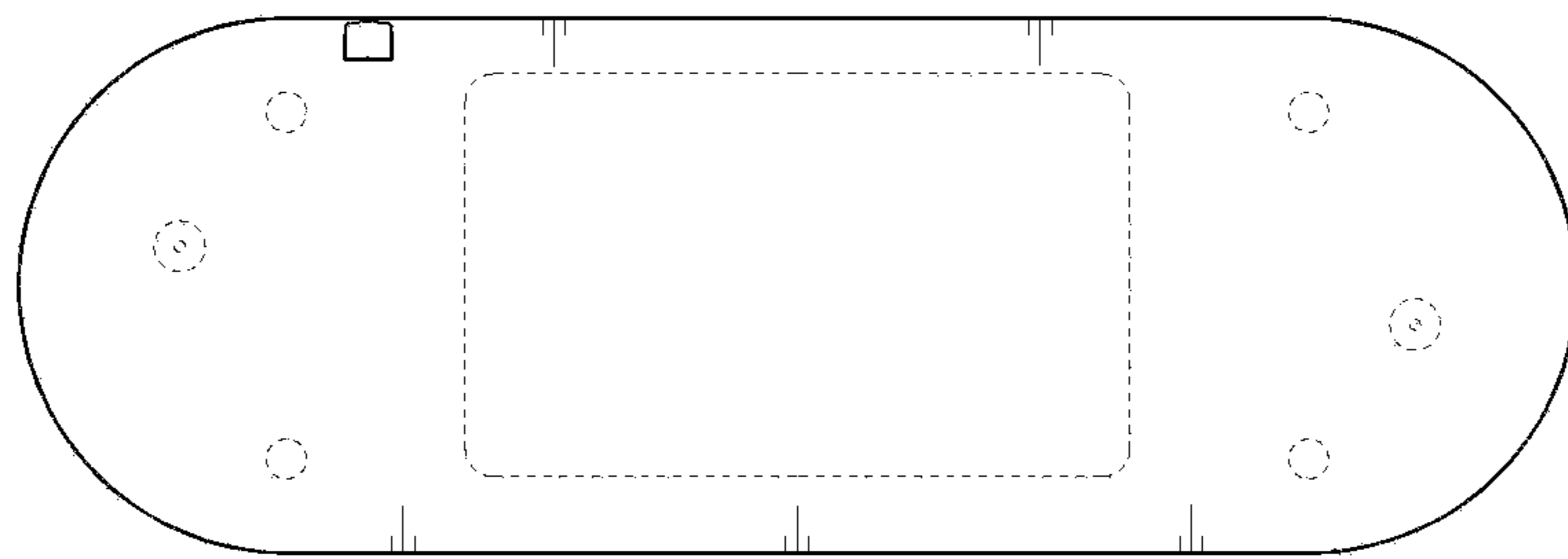


FIG. 8

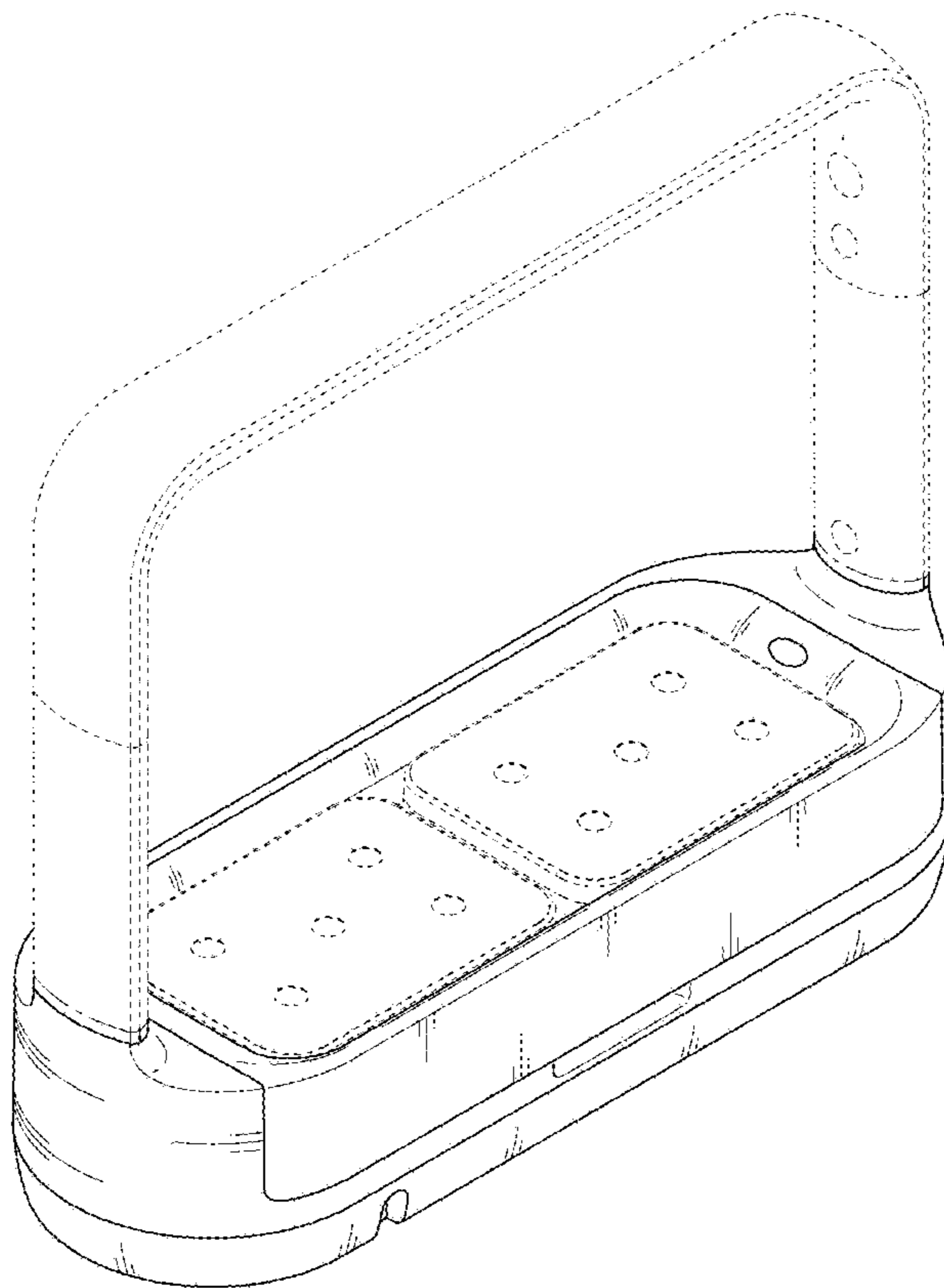


FIG. 9

