



US0D1027612S

(12) **United States Design Patent** (10) **Patent No.:** **US D1,027,612 S**
Rubenzer (45) **Date of Patent:** **** May 21, 2024**

- (54) **LOAD CARRYING HOLDER**
- (71) Applicant: **Peter Jon Rubenzer**, Frisco, TX (US)
- (72) Inventor: **Peter Jon Rubenzer**, Frisco, TX (US)
- (**) Term: **15 Years**
- (21) Appl. No.: **29/829,797**
- (22) Filed: **Mar. 8, 2022**
- (51) **LOC (14) Cl.** **08-08**
- (52) **U.S. Cl.**
USPC **D8/349; D8/71**
- (58) **Field of Classification Search**
USPC D3/201, 215, 228; D8/71, 349, 354, 355,
D8/382-387; D11/200
CPC A45F 5/00; A45F 5/02; A45F 5/021; F16B
2/00; F16B 2/02; F16B 2/04; F16B 2/06;
F16B 2/10; F16B 2/20; F16B 2/22
See application file for complete search history.

- D953,156 S * 5/2022 Lee D8/387
- D985,362 S * 5/2023 Hu D8/349
- D991,772 S * 7/2023 Min D8/349
- 2008/0054136 A1 * 3/2008 Gou H01Q 1/1207
248/205.5
- 2012/0066874 A1 * 3/2012 LeCompte A44B 17/0005
24/304
- 2020/0212693 A1 * 7/2020 Alves H02J 50/10
- 2021/0317867 A1 * 10/2021 Liao B60R 9/04

* cited by examiner

Primary Examiner — Richard Kearney
Assistant Examiner — Benjamin M Weeks
(74) *Attorney, Agent, or Firm* — Law Office of Sam
Sokhansanj PLLC

(57) **CLAIM**

The ornamental design for a load carrying holder, as shown and described.

DESCRIPTION

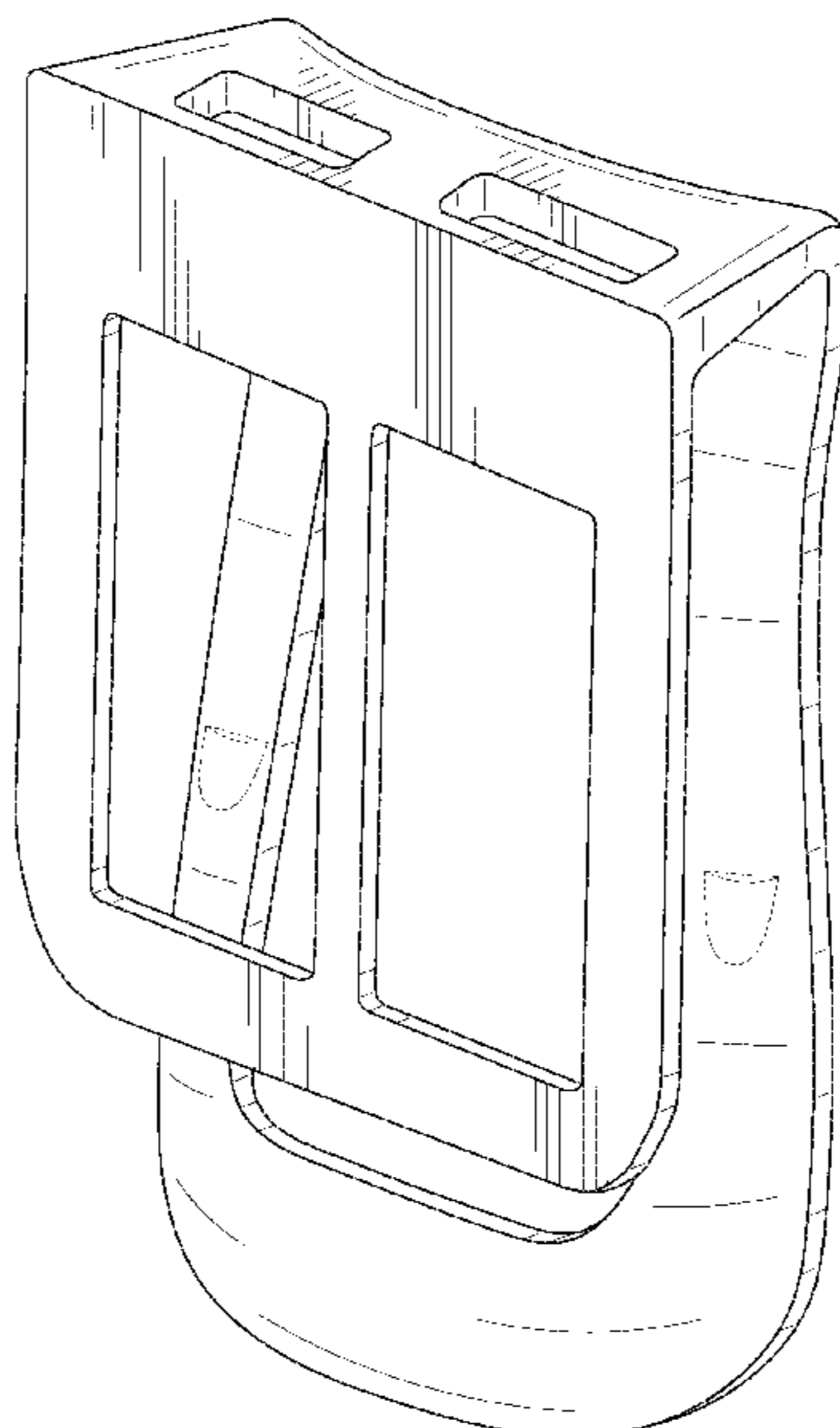
FIG. 1 illustrates a perspective view of a load carrying holder,
FIG. 2 illustrates a front view of the load carrying holder of FIG. 1.
FIG. 3 illustrates a rear view of the load carrying holder of FIG. 1.
FIG. 4 illustrates a right side view of the load carrying holder of FIG. 1.
FIG. 5 illustrates a left side view of the load carrying holder of FIG. 1.
FIG. 6 illustrates a top view of the load carrying holder of FIG. 1; and,
FIG. 7 illustrates a bottom view of the load carrying holder of FIG. 1.
The broken lines show portions of the load carrying holder and environmental subject matter which form no part of the claimed design.

1 Claim, 5 Drawing Sheets

(56) **References Cited**

U.S. PATENT DOCUMENTS

- 1,839,694 A * 1/1932 Nelson F16B 47/00
248/205.5
- 2,233,870 A * 3/1941 Muter F16B 47/00
248/205.8
- 4,421,288 A * 12/1983 Blaszkowski F16B 47/00
248/363
- D391,837 S * 3/1998 Adams D8/354
- D409,894 S * 5/1999 McClurg D8/349
- 6,318,685 B1 * 11/2001 Huber F16B 47/00
248/205.5
- D554,974 S * 11/2007 Huang D8/352
- D714,126 S * 9/2014 Pyon D8/349
- D870,096 S * 12/2019 McSweyn D14/253
- D885,867 S * 6/2020 Chapman D8/349
- D889,934 S * 7/2020 Hines, III D8/349
- D903,469 S * 12/2020 Wang D8/349
- D909,177 S * 2/2021 Siminoff D8/349
- D949,663 S * 4/2022 Limber D8/349



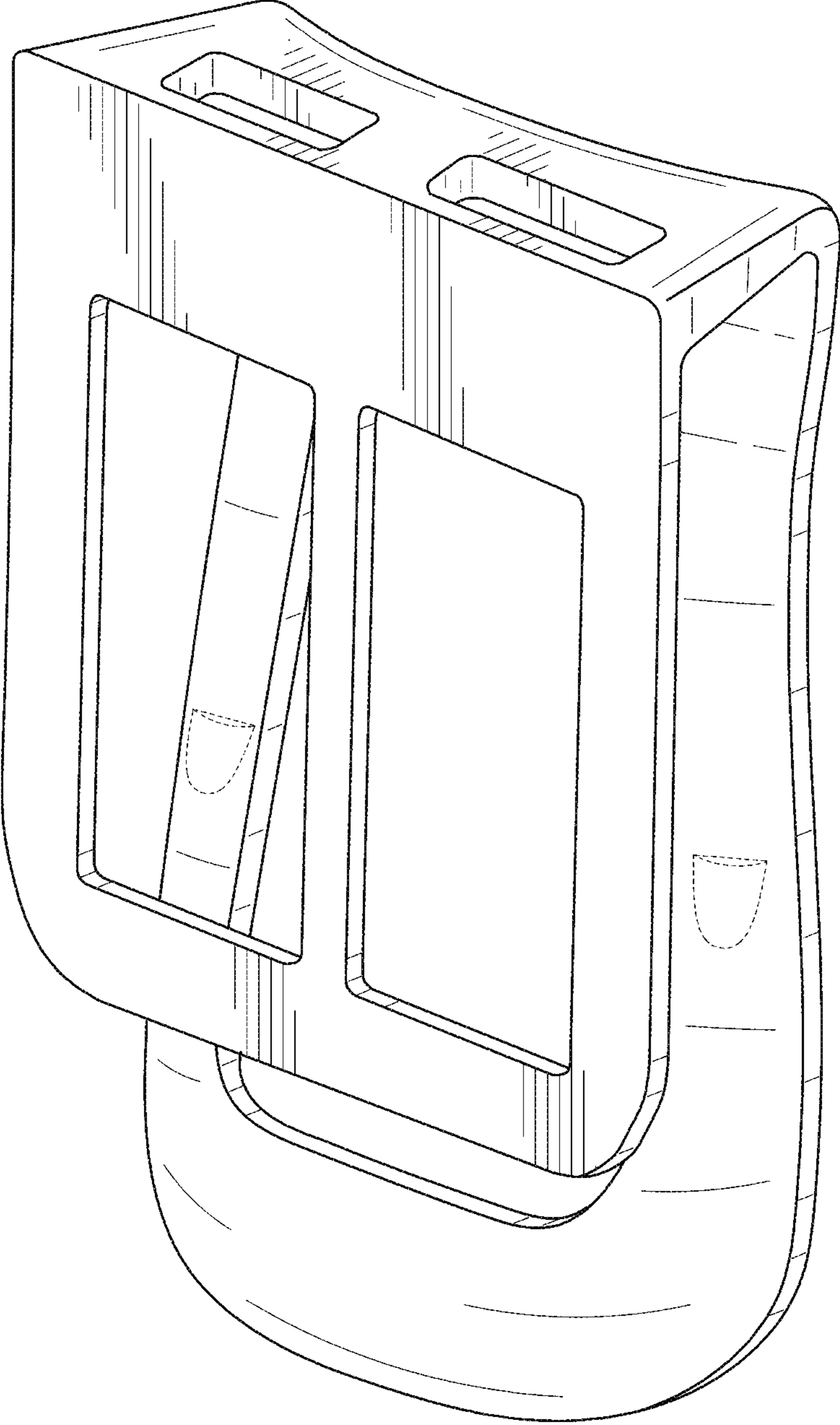


FIG. 1

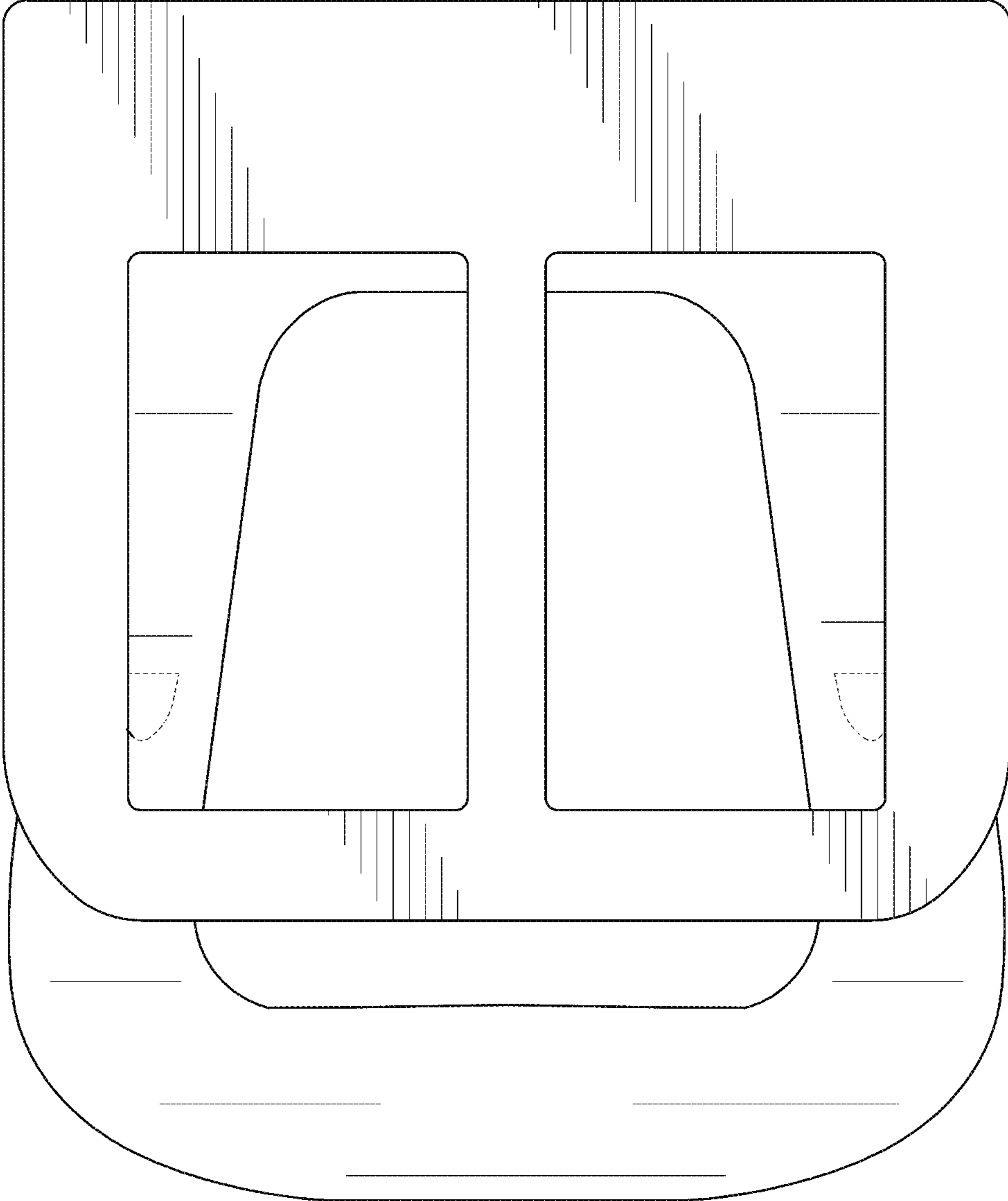


FIG. 2

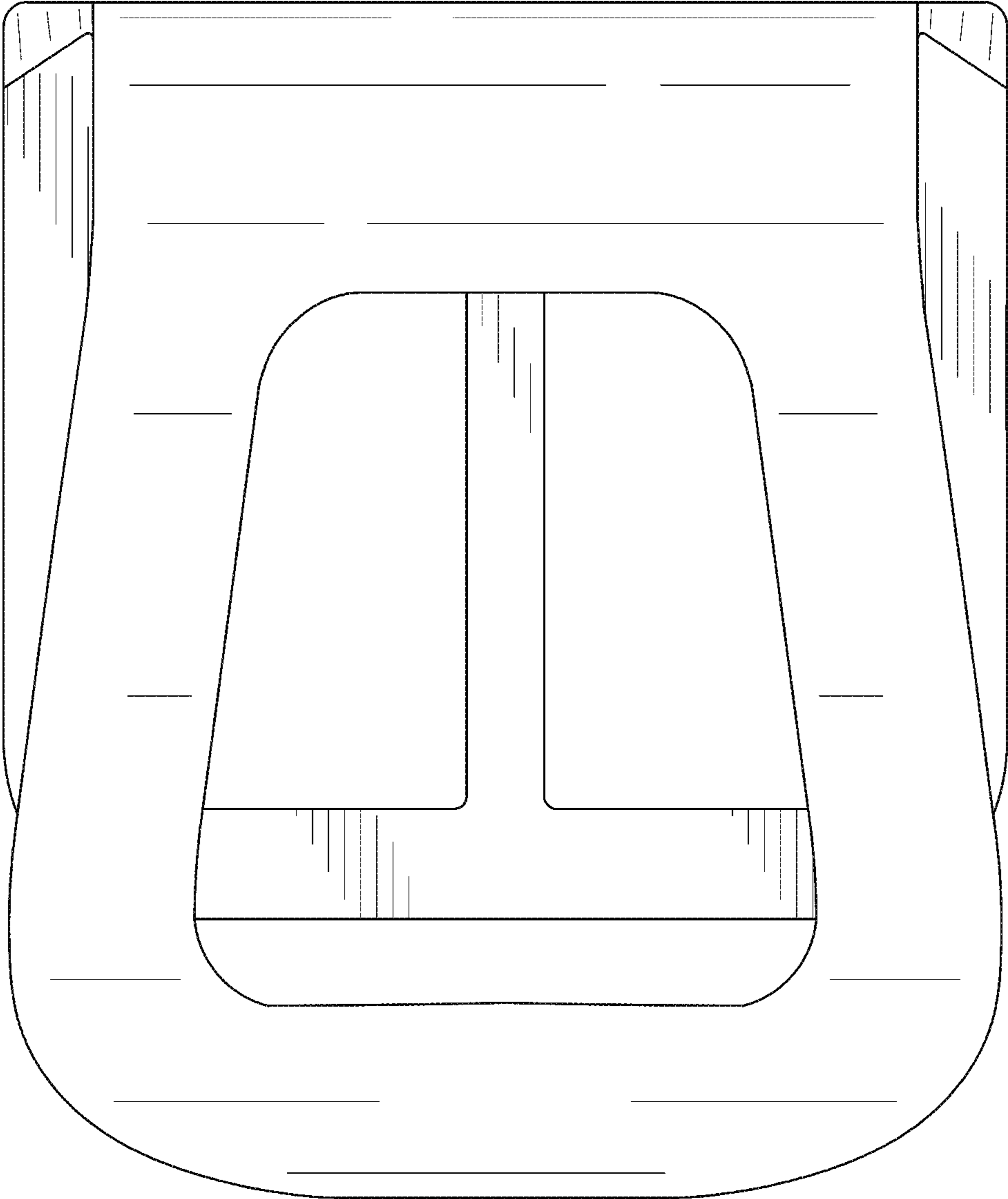


FIG. 3

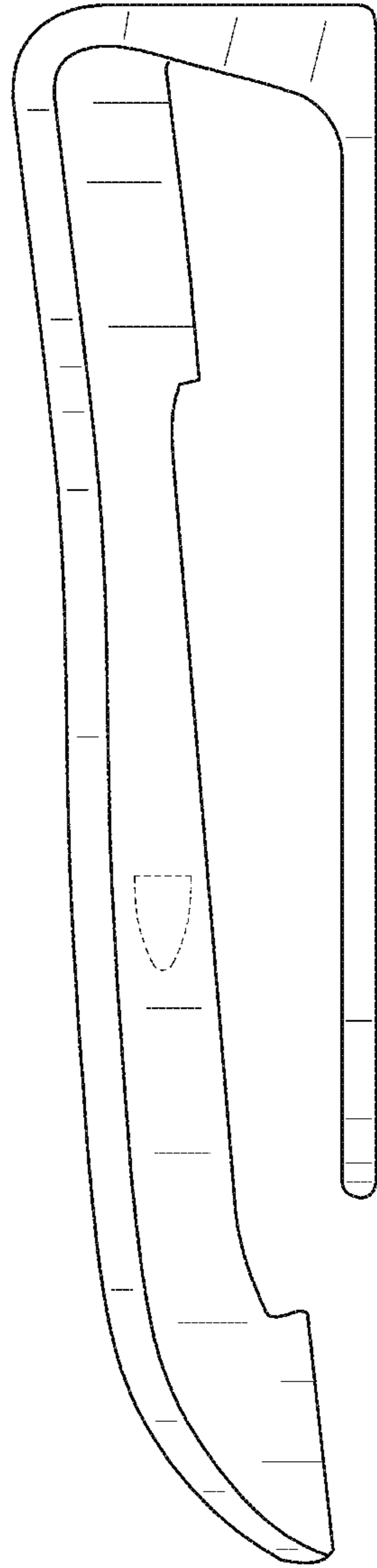


FIG. 4

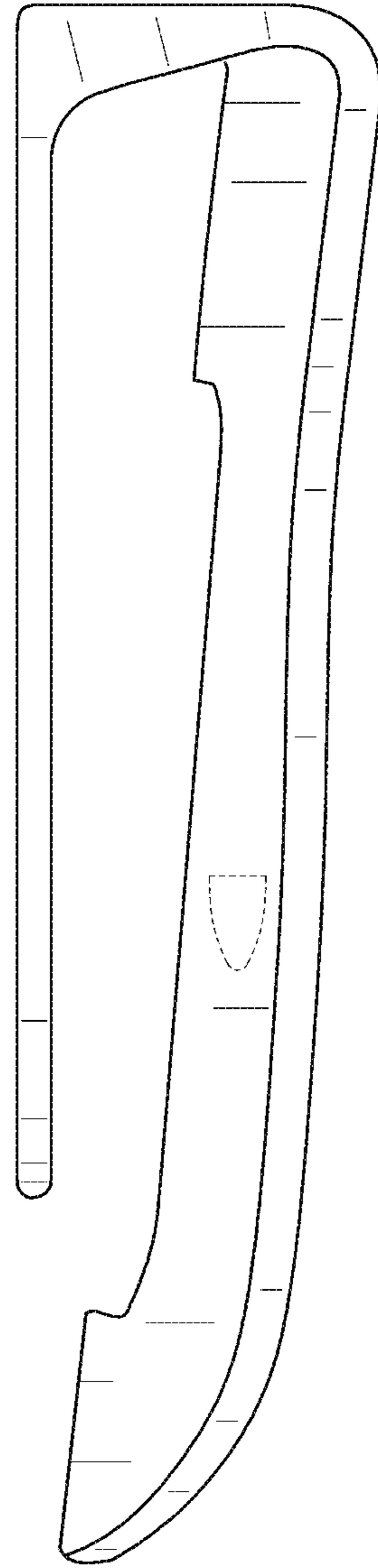


FIG. 5

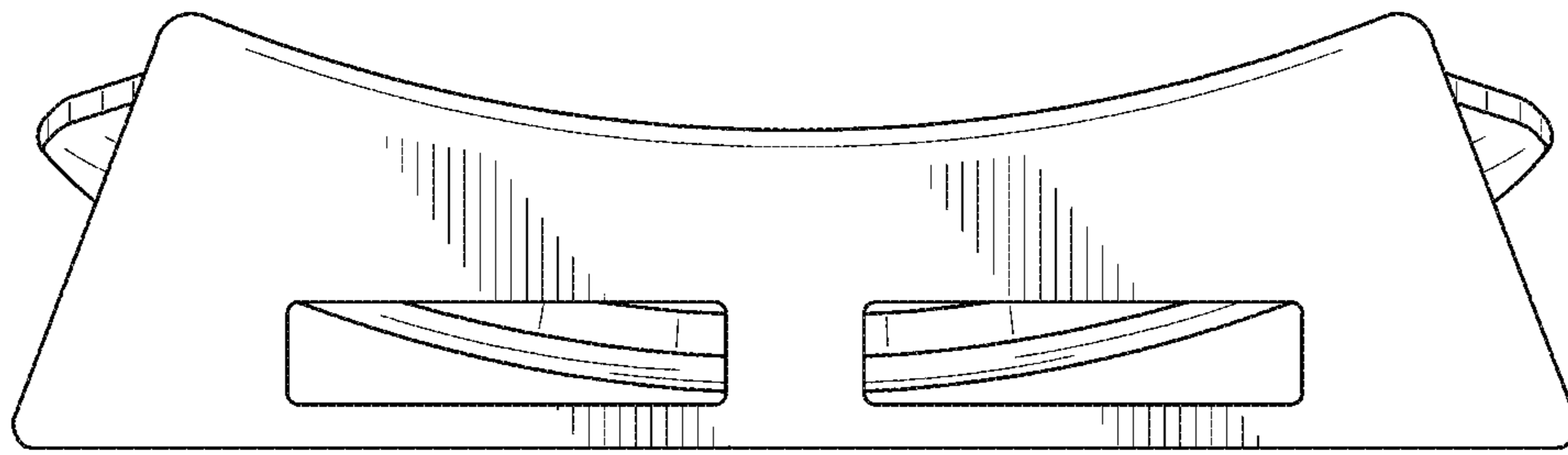


FIG. 6

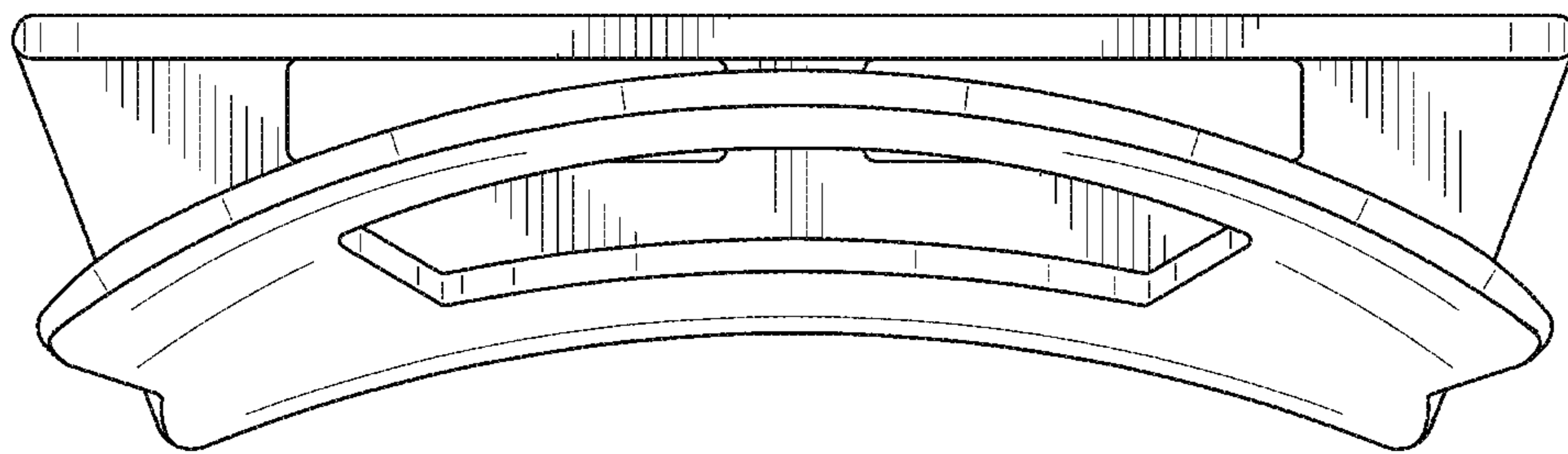


FIG. 7