



US0D1027595S

(12) **United States Design Patent**
Garza et al.

(10) **Patent No.:** **US D1,027,595 S**

(45) **Date of Patent:** **** *May 21, 2024**

(54) **CLAMP ASSEMBLY FOR SOLAR PANEL ASSEMBLIES**

(71) Applicants: **David G. Garza**, Plano, TX (US);
Horacio Duhart, Plano, TX (US)

(72) Inventors: **David G. Garza**, Plano, TX (US);
Horacio Duhart, Plano, TX (US)

(*) Notice: This patent is subject to a terminal disclaimer.

(**) Term: **15 Years**

(21) Appl. No.: **29/814,891**

(22) Filed: **Nov. 9, 2021**

(51) **LOC (14) Cl.** **08-05**

(52) **U.S. Cl.**
USPC **D8/72**

(58) **Field of Classification Search**
USPC D8/71-74, 394-399, 59
CPC B25B 1/00; B25B 5/00
See application file for complete search history.

(56) **References Cited**

U.S. PATENT DOCUMENTS

D328,845 S *	8/1992	Yoder	D8/72
D329,007 S *	9/1992	Yoder	D8/73
D339,782 S *	9/1993	Yoder	D8/394
D361,506 S *	8/1995	Rumpel	D8/395
D364,799 S *	12/1995	Callas	D8/367
D378,342 S *	3/1997	Stuart	D8/72
D392,171 S *	3/1998	Miller	D8/72
D616,276 S *	5/2010	Friegang	D8/72
D670,159 S *	11/2012	Bitarchas	D8/394
8,464,496 B2	6/2013	Cusson et al.		
D719,000 S *	12/2014	Palmer	B62B 1/12 D8/73
D757,215 S *	5/2016	Gehrung	D8/394
D761,099 S *	7/2016	Seo	D8/394
D793,851 S *	8/2017	Mann	D8/394

D837,017 S *	1/2019	Miller	D8/74
D841,424 S *	2/2019	Hikoyama	D8/72
D888,522 S *	6/2020	Howseman, Jr.	D15/199
D920,088 S *	5/2021	Lovell	D8/395
D945,848 S *	3/2022	Maring	D8/499
D947,640 S *	4/2022	Kobayashi	D8/72
D947,662 S *	4/2022	Thomas	D8/394
D948,303 S *	4/2022	Juraga	D8/72
D949,002 S *	4/2022	Parab	D8/394
D950,370 S *	5/2022	DeVore	D8/395
D952,434 S *	5/2022	Hsieh	D8/71
2017/0155356 A1	6/2017	Schuit et al.		

* cited by examiner

Primary Examiner — David G Muller

(74) *Attorney, Agent, or Firm* — Thrasher Associates

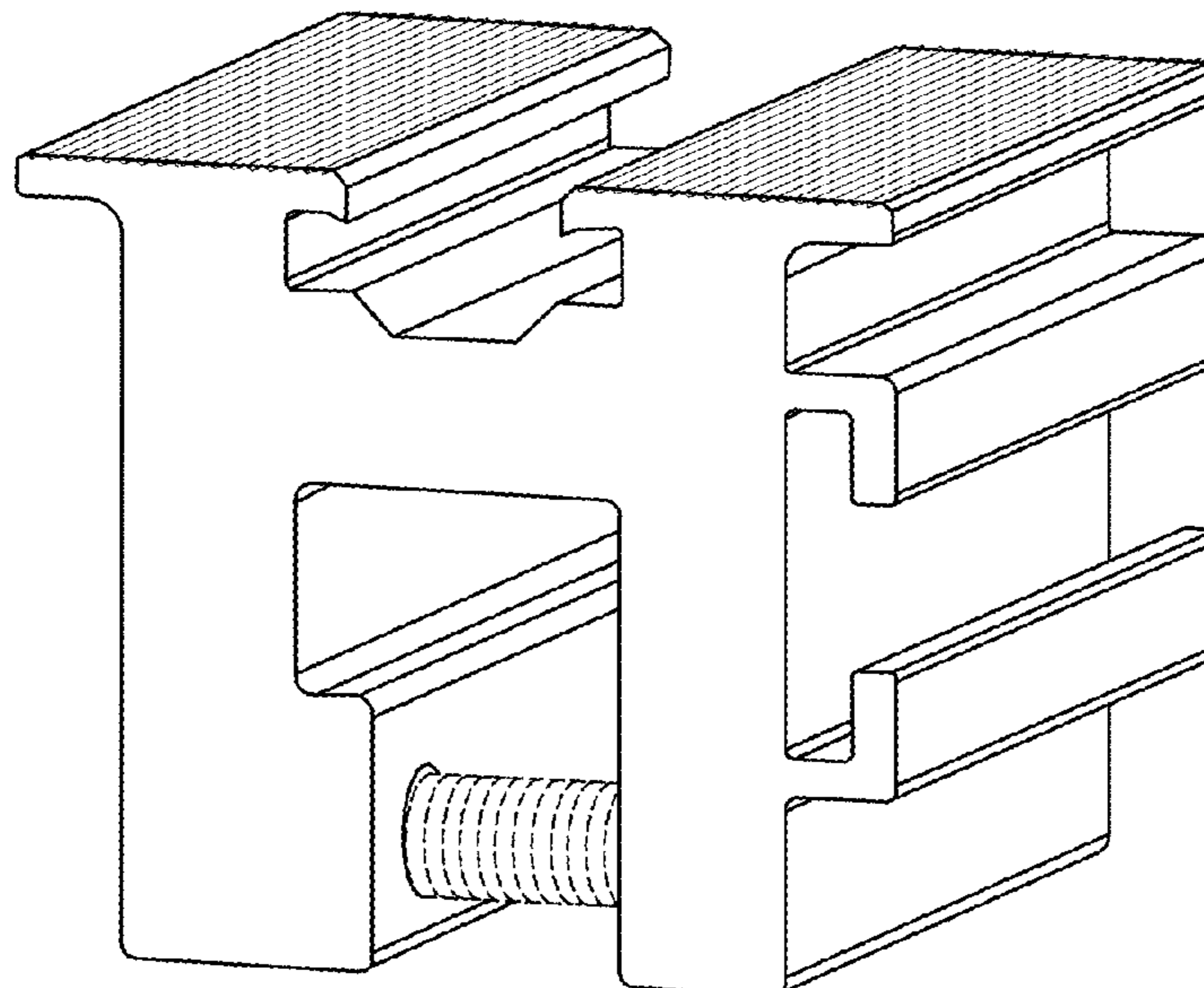
(57) **CLAIM**

The ornamental design for a clamp assembly for solar panel assemblies, as shown and described.

DESCRIPTION

FIG. 1 is a first perspective view of a clamp assembly for solar panel assemblies;
 FIG. 2 is a second perspective view thereof;
 FIG. 3 is a front view thereof;
 FIG. 4 is a rear view thereof;
 FIG. 5 is a top view thereof;
 FIG. 6 is a bottom view thereof;
 FIG. 7 is a left-side view thereof;
 FIG. 8 is an exploded perspective view thereof;
 FIG. 9 is the first perspective view thereof, shown with a cable management clip;
 FIG. 10 is the second perspective view thereof, shown with an L-bracket; and,
 FIG. 11 is the front view thereof, shown with a standing seam roof.
 Subject matter shown in broken lines is environmental and forms no part of the claimed design.

1 Claim, 12 Drawing Sheets



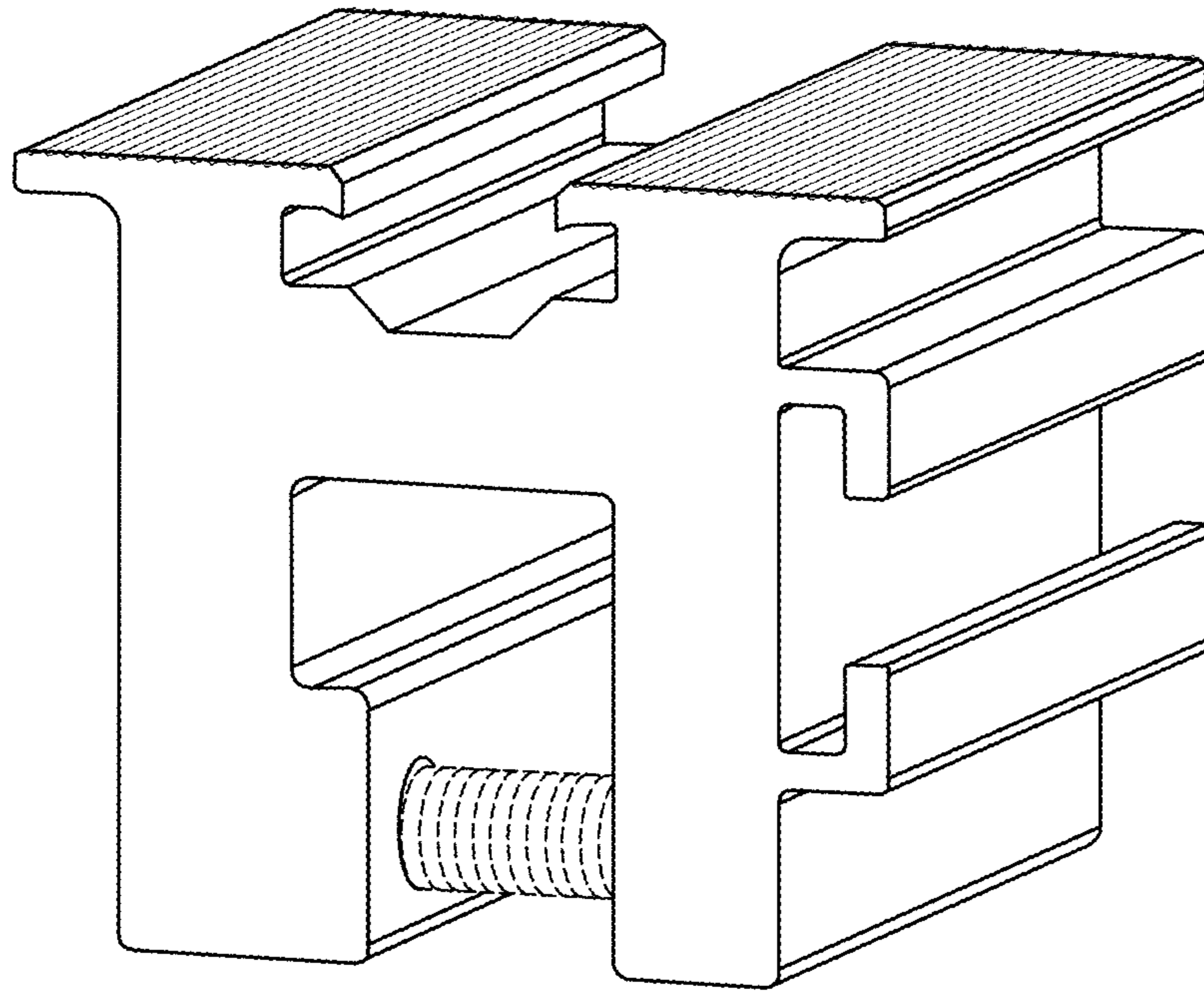


FIG. 1

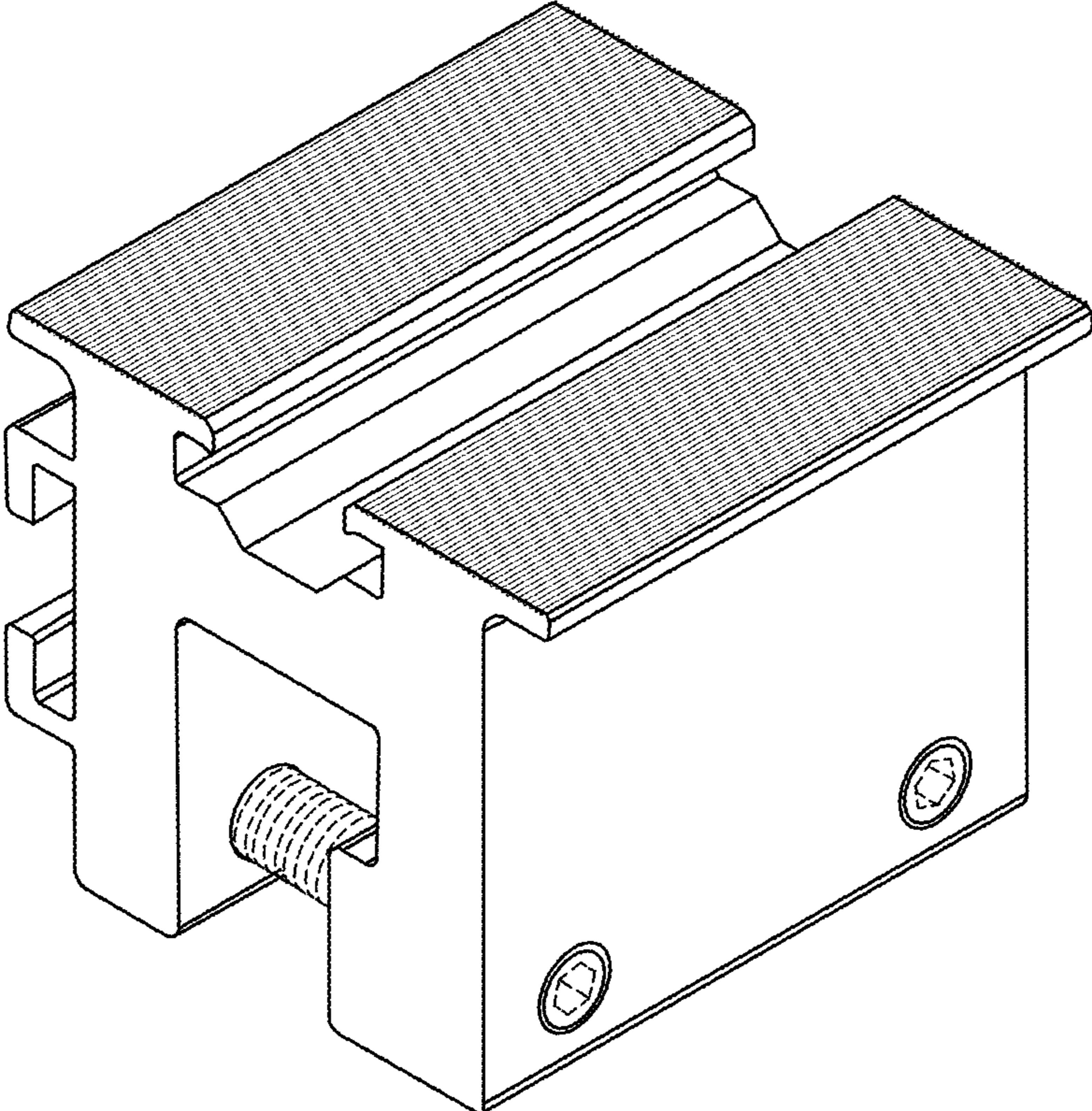


FIG. 2

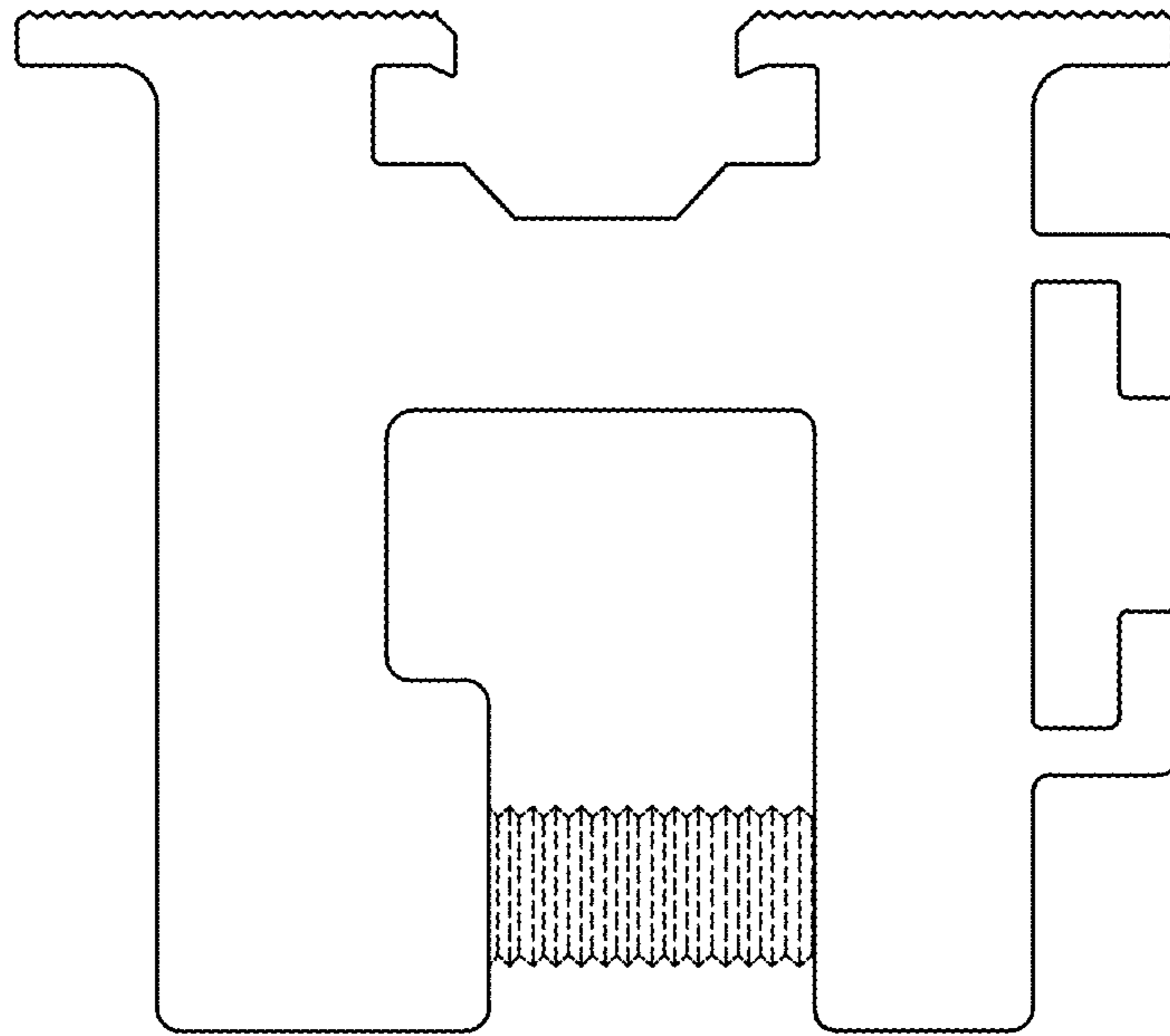


FIG. 3

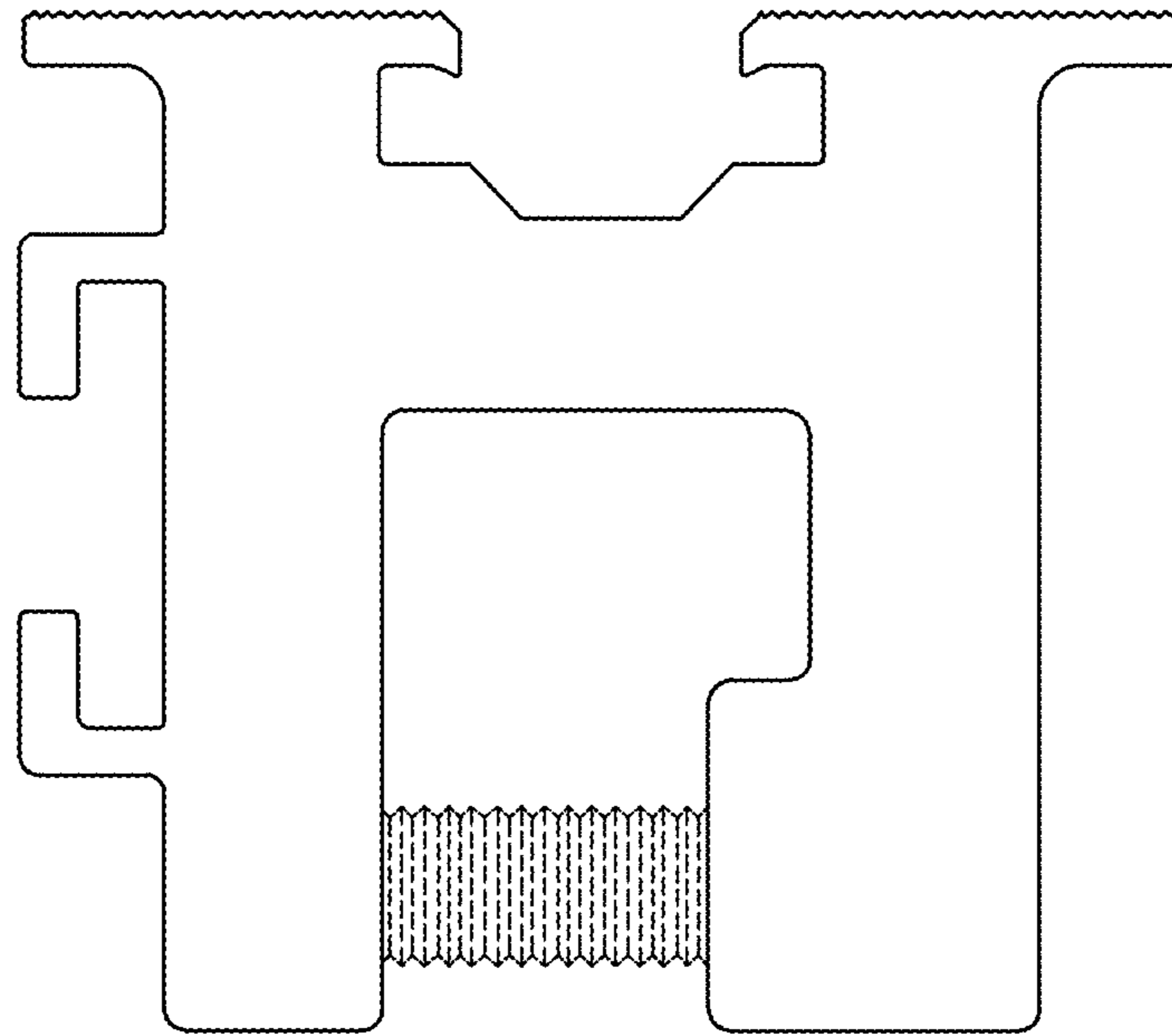


FIG. 4

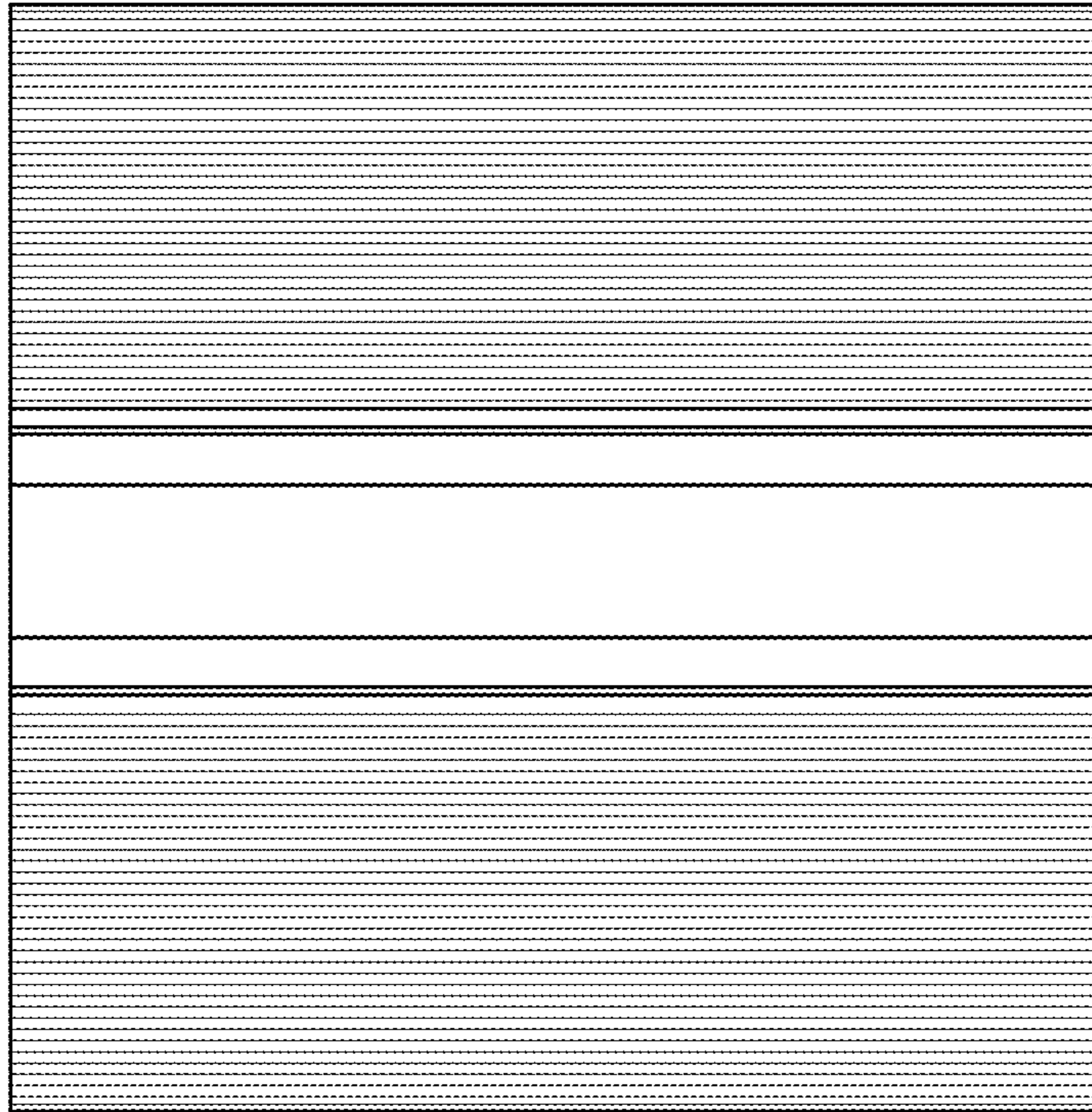


FIG. 5

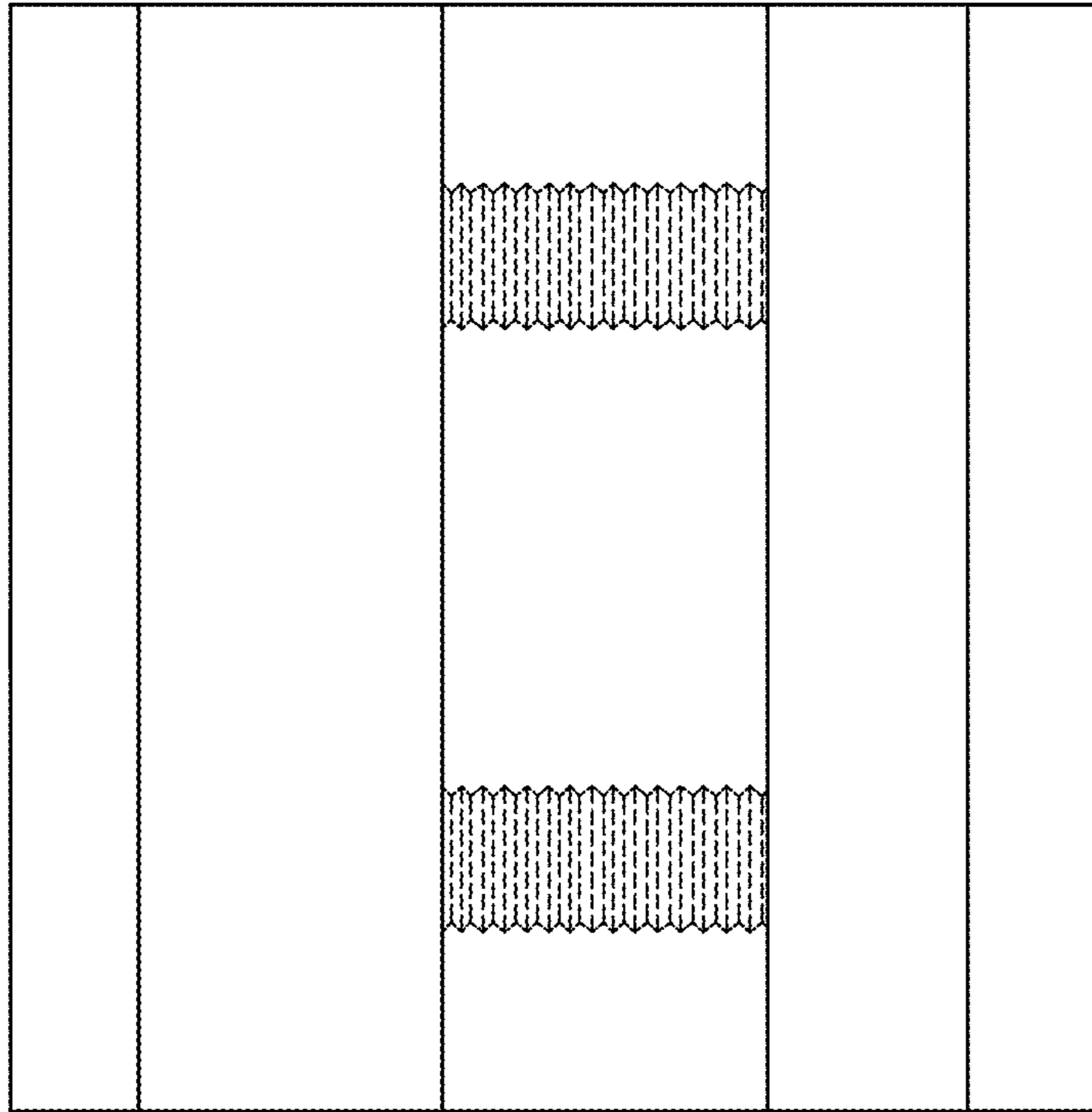


FIG. 6

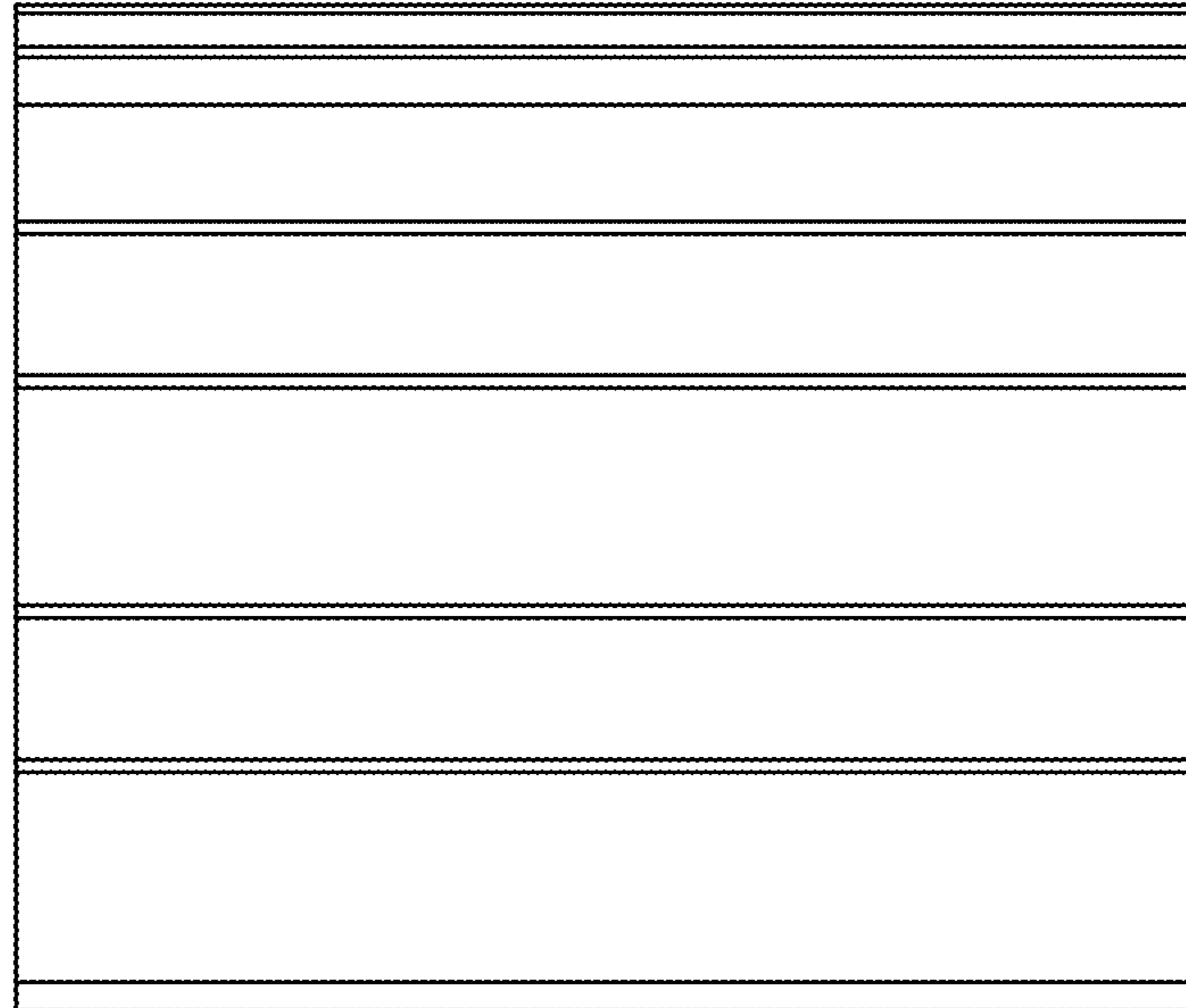


FIG. 7

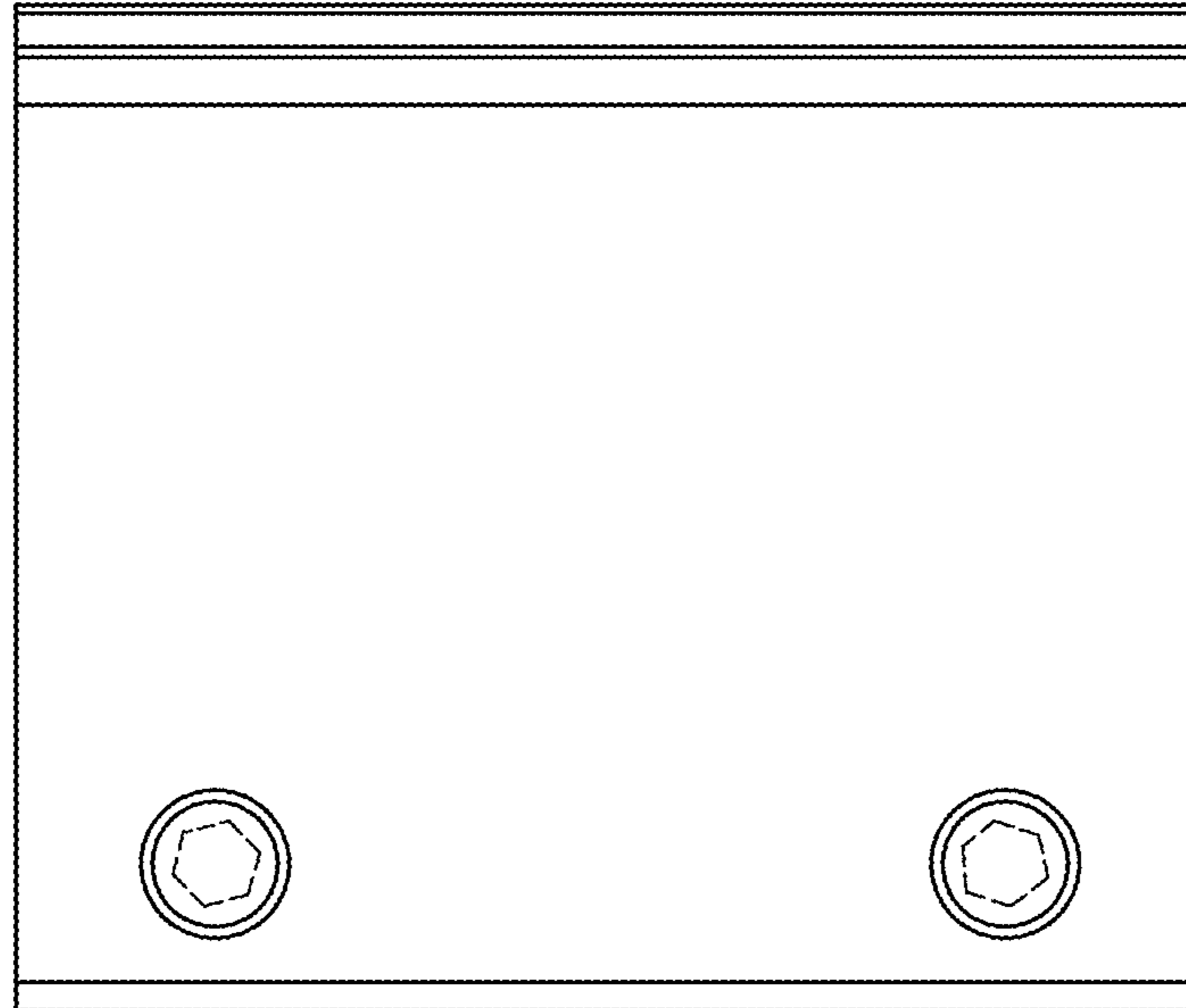


FIG. 8

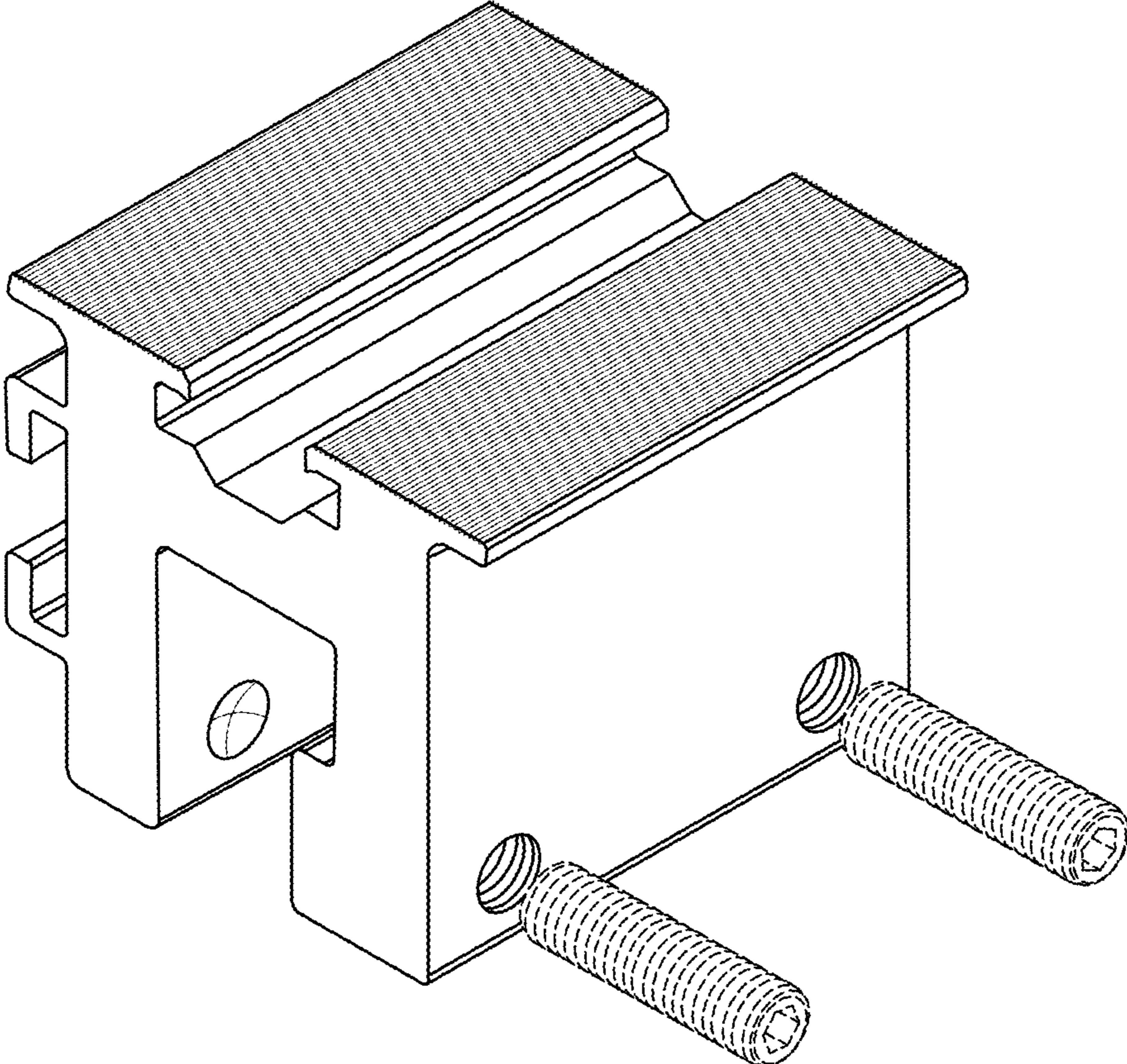


FIG. 9

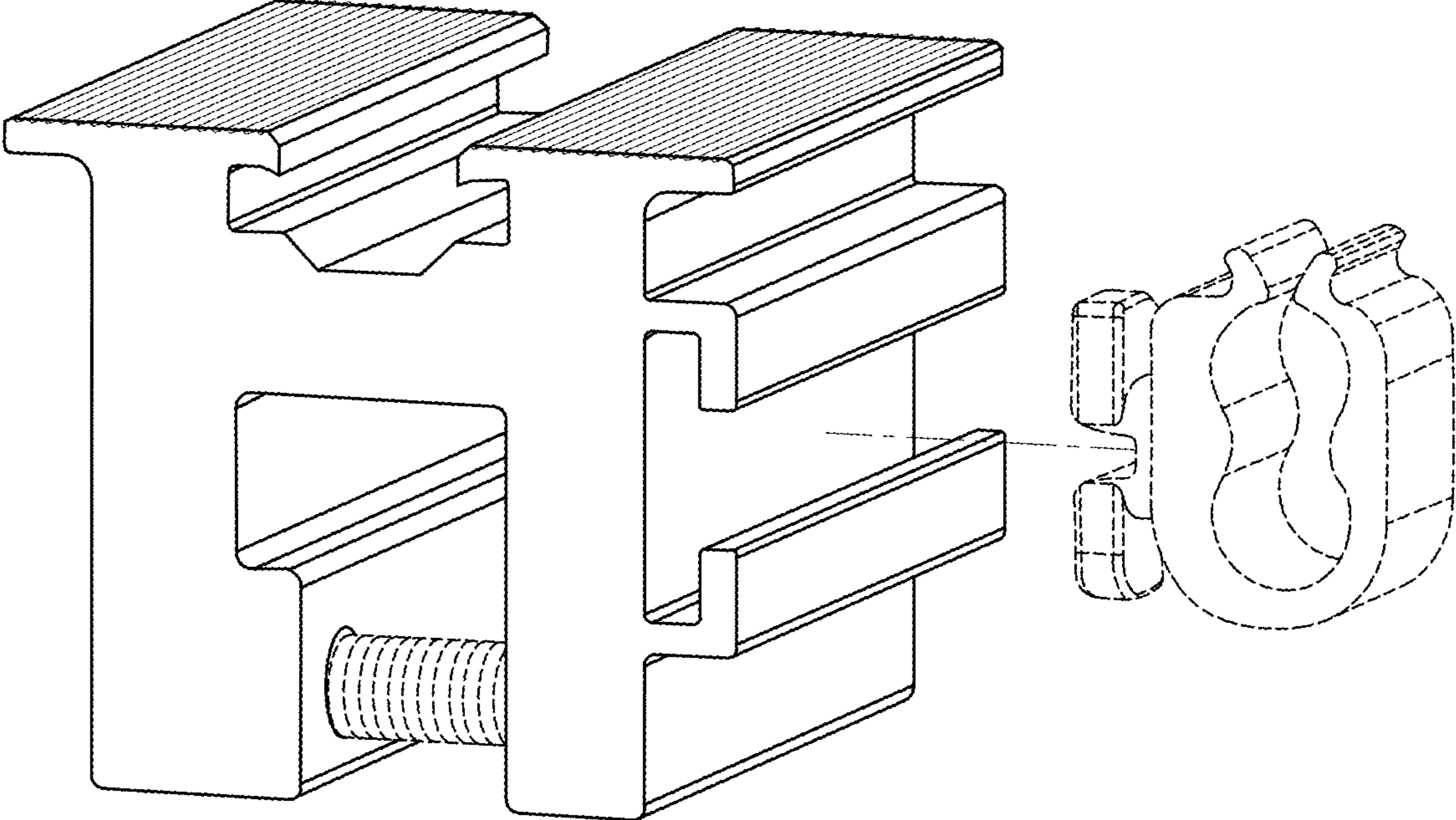


FIG. 10

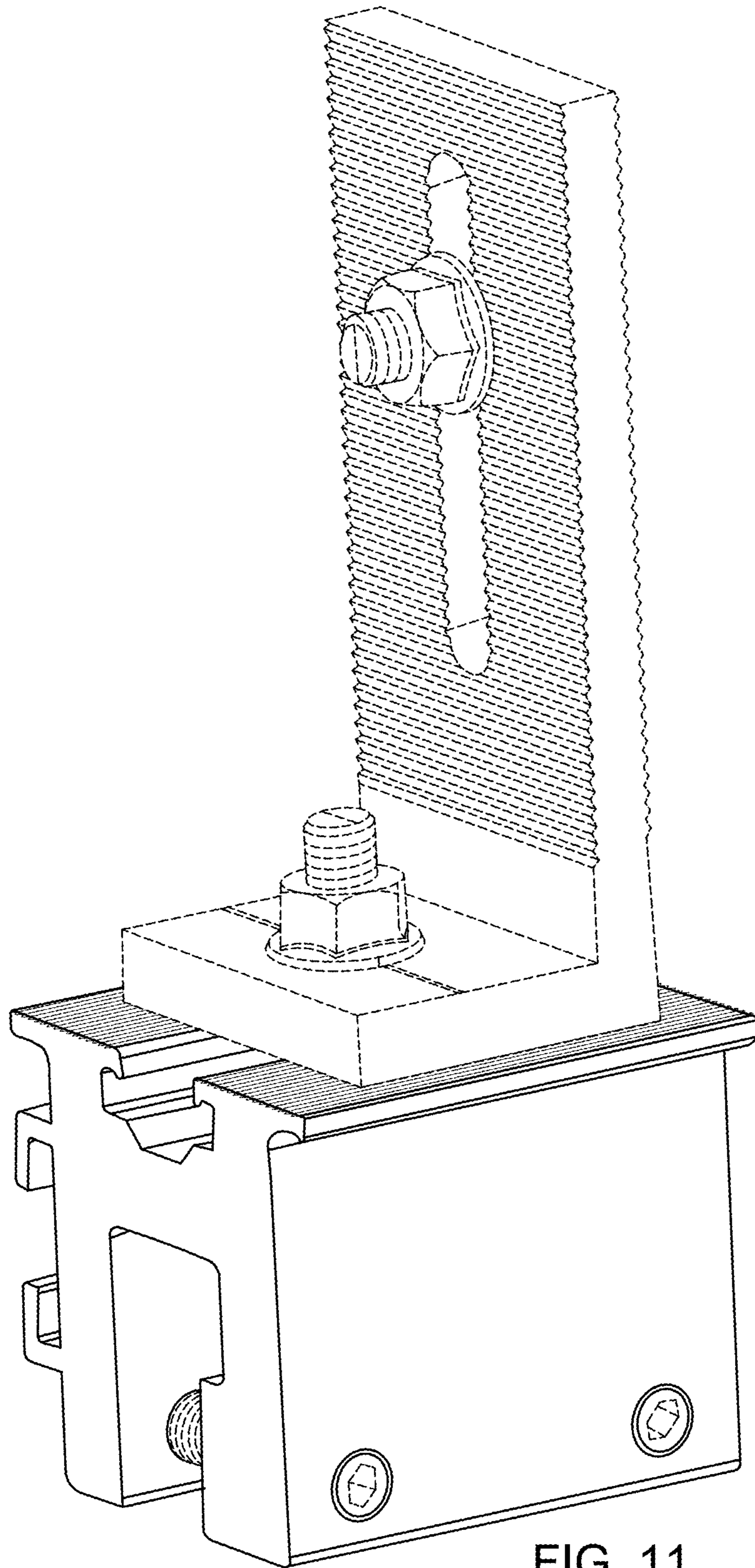


FIG. 11

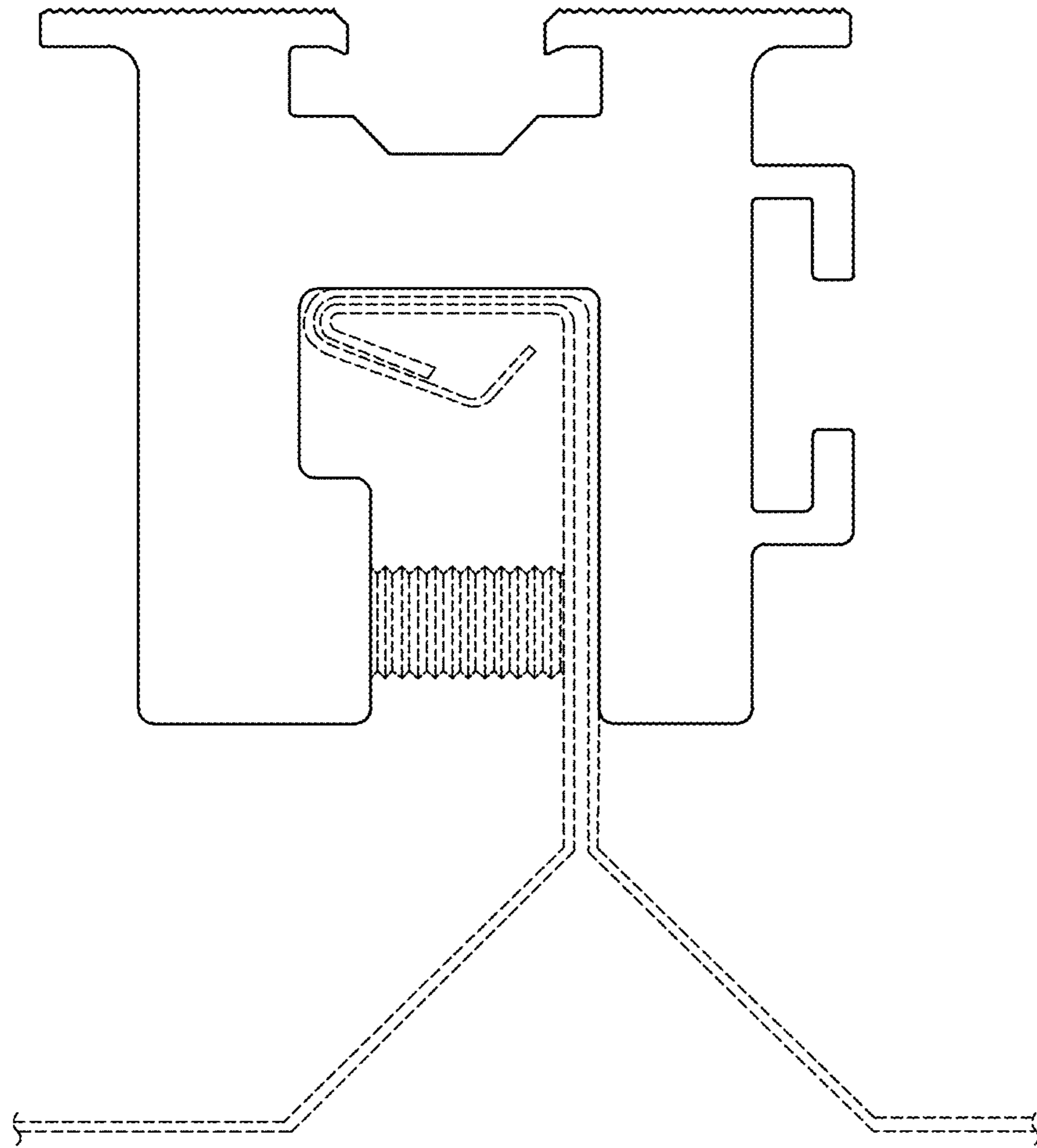


FIG. 12