



US0D1027594S

(12) **United States Design Patent**
Mitthun

(10) **Patent No.:** **US D1,027,594 S**

(45) **Date of Patent:** **** May 21, 2024**

(54) **DRILL**

(71) Applicant: **Kurtis Mitthun**, Meservey, IA (US)

(72) Inventor: **Kurtis Mitthun**, Meservey, IA (US)

(**) Term: **15 Years**

(21) Appl. No.: **29/825,652**

(22) Filed: **Feb. 3, 2022**

(51) **LOC (14) Cl.** **08-05**

(52) **U.S. Cl.**
USPC **D8/68**

(58) **Field of Classification Search**
USPC D8/61, 67-70, 95
CPC ... B25F 5/02; B25F 5/00; B25B 21/00; B25D
16/00

See application file for complete search history.

(56) **References Cited**

U.S. PATENT DOCUMENTS

- 3,162,250 A * 12/1964 Sindelar B25B 23/145
91/59
- D243,652 S * 3/1977 Zurwelle D8/68
- D320,917 S * 10/1991 Fushiya D8/68
- D335,073 S * 4/1993 Anthony D8/68
- D339,046 S * 9/1993 Fushiya D8/68
- D340,396 S * 10/1993 Ichikawa D8/68
- D409,467 S * 5/1999 Chung D8/68
- D429,134 S * 8/2000 Schultz D8/68
- 6,158,526 A * 12/2000 Ghode B25B 21/026
173/109
- 6,308,378 B1 * 10/2001 Mooty B27B 9/00
408/124
- D574,688 S * 8/2008 Yamamoto D8/68
- 7,429,430 B2 * 9/2008 Mooty B23D 51/01
30/500
- D578,854 S * 10/2008 Lopano B25F 5/02
D8/68
- D608,173 S * 1/2010 Ng D8/68

- D609,543 S * 2/2010 Misaki D8/68
- D611,319 S * 3/2010 Van Wambeke D8/68
- D628,038 S * 11/2010 Aoki D8/68
- D628,039 S * 11/2010 Aoki D8/68
- D642,036 S * 7/2011 Miller D8/68
- D644,495 S * 9/2011 Misaki D8/68
- D647,774 S * 11/2011 Okuda D8/68
- 8,132,486 B1 3/2012 Calvert
- D656,804 S * 4/2012 Murray D8/68
- D673,436 S * 1/2013 Murray D8/68
- D678,025 S * 3/2013 Naksen D8/68
- D679,160 S * 4/2013 Okuda D8/68
- D682,650 S * 5/2013 Kawase D8/68
- D700,820 S * 3/2014 Cooper D8/68

(Continued)

OTHER PUBLICATIONS

24V Brushless Sds-Plus Rotary Hammer, Retrieved from Internet, Retrieved on Nov. 10, 2021 <URL: <https://www.greenworkstools.com/24v-brushless-rotary-hammer-tool-only-hm24100>>.

(Continued)

Primary Examiner — Rachel A. Voorhies

Assistant Examiner — Benjamin D. Wannemacher

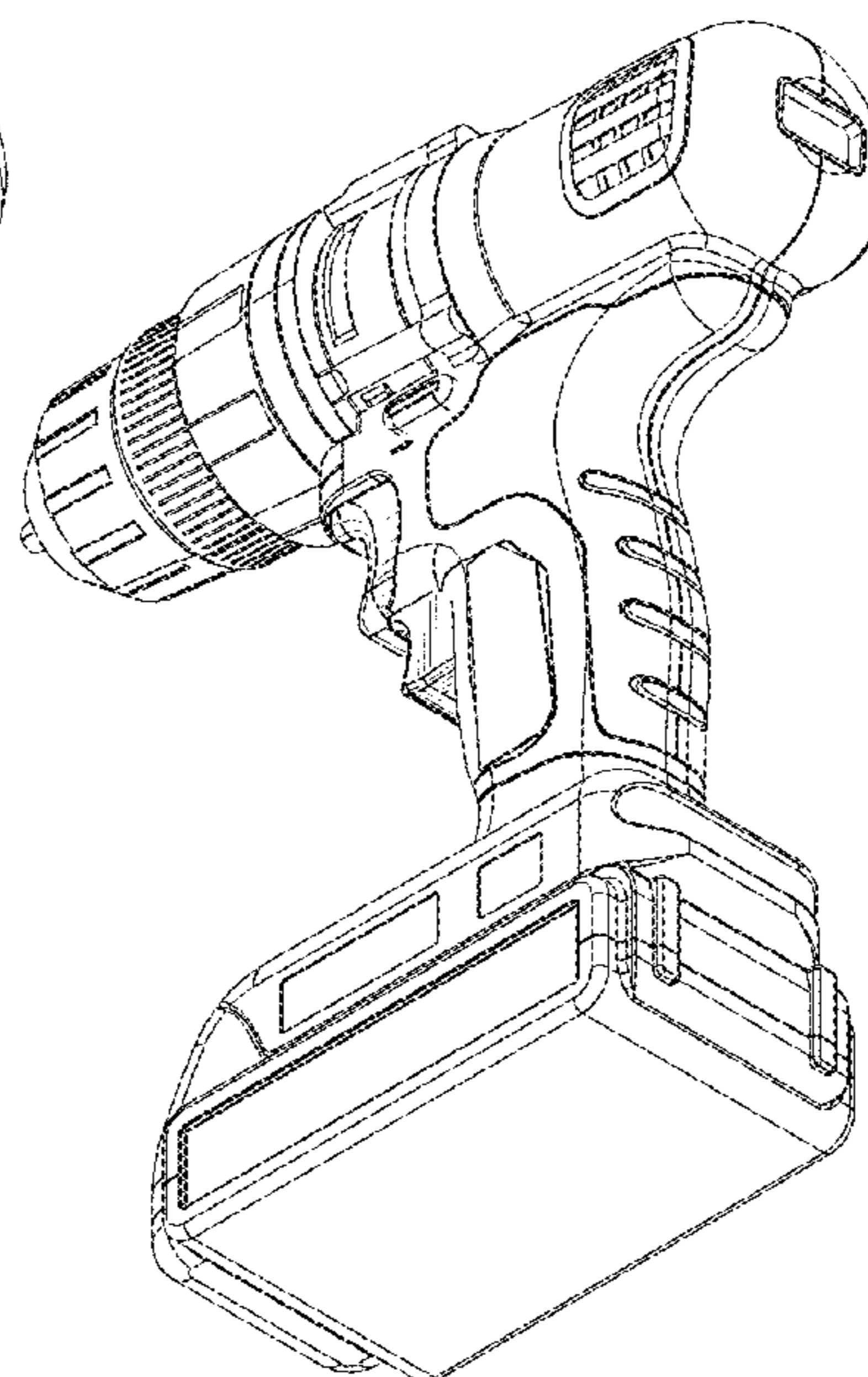
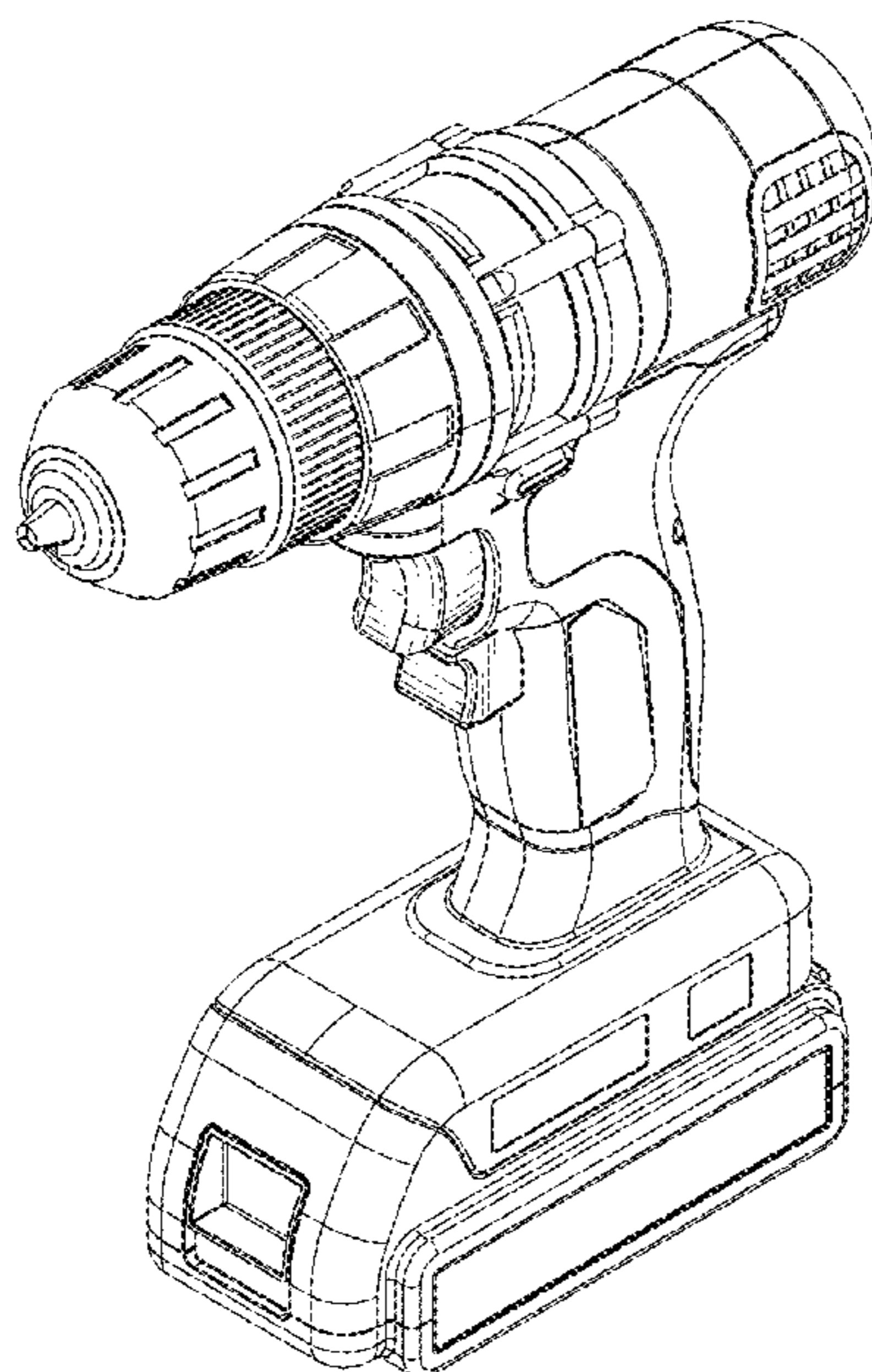
(57) **CLAIM**

The ornamental design for a drill, as shown and described.

DESCRIPTION

FIG. 1 is a top front perspective view of a drill showing my new design;
FIG. 2 is a bottom rear perspective view thereof;
FIG. 3 is a front elevational view thereof;
FIG. 4 is a rear elevational view thereof;
FIG. 5 is a right elevational view thereof;
FIG. 6 is a left elevational view thereof;
FIG. 7 is a top plan view thereof; and,
FIG. 8 is a bottom plan view thereof.

1 Claim, 8 Drawing Sheets



(56)

References Cited

U.S. PATENT DOCUMENTS

D700,822 S * 3/2014 Tschopp B25F 5/02
 D8/68
 D707,519 S * 6/2014 Masugata D8/68
 D708,496 S * 7/2014 Zhou B25F 5/02
 D8/68
 D722,854 S * 2/2015 Beukema D8/68
 D761,069 S * 7/2016 Aoki D8/68
 D775,920 S * 1/2017 Tirone D8/68
 D820,656 S * 6/2018 Waldron B25F 5/02
 D8/68
 D839,708 S * 2/2019 Croghan D8/68
 D840,778 S * 2/2019 Waldron D8/68
 D859,951 S * 9/2019 Gu D8/68
 D869,926 S * 12/2019 Waldron D8/68
 D873,107 S * 1/2020 Houghton D8/68
 D895,389 S * 9/2020 Matteo D8/68
 D920,758 S * 6/2021 Yang D8/68
 D929,835 S * 9/2021 James D8/68
 D932,858 S * 10/2021 Kuang D8/68
 D934,644 S * 11/2021 Lindoro D8/68
 D936,441 S * 11/2021 Suzuki D8/68
 D937,063 S * 11/2021 Kawase D8/68
 D951,736 S * 5/2022 Ghode D8/68
 D955,838 S * 6/2022 Paunovic D8/68
 D955,840 S * 6/2022 Bitsch D8/68

D974,870 S * 1/2023 Dabbekeh D8/68
 2002/0096341 A1 * 7/2002 Hagan B25B 23/14
 173/217
 2008/0000665 A1 * 1/2008 Kokinelis B25F 5/02
 173/170
 2021/0252680 A1 * 8/2021 Herr B25B 21/02
 2023/0107745 A1 * 4/2023 Shima B25B 23/147
 173/176
 2023/0197370 A1 * 6/2023 Stevens H01H 9/287
 200/43.16
 2023/0226670 A1 * 7/2023 Mitthun B25B 21/02
 81/464
 2023/0234146 A1 * 7/2023 Wang B23B 45/02
 173/217

OTHER PUBLICATIONS

Brushless Cordless Hammer Driver, Retrieved from Internet, Retrieved on Nov. 10, 2021 <URL: <https://www.ebay.com/p/26044447538>>. Multi-function Electric Hammer, Retrieved from Internet, Retrieved on Nov. 10, 2021 <URL: <https://www.aliexpress.com/item/32967015243.html>>. 3 in. Drywall and Deck Collated Screwdriver, Retrieved from Internet, Retrieved on Nov. 10, 2021<URL: <https://www.homedepot.com/p/RIDGID-3-in-Drywall-and-Deck-Collated-Screwdriver-R6791/100646501>>.

* cited by examiner

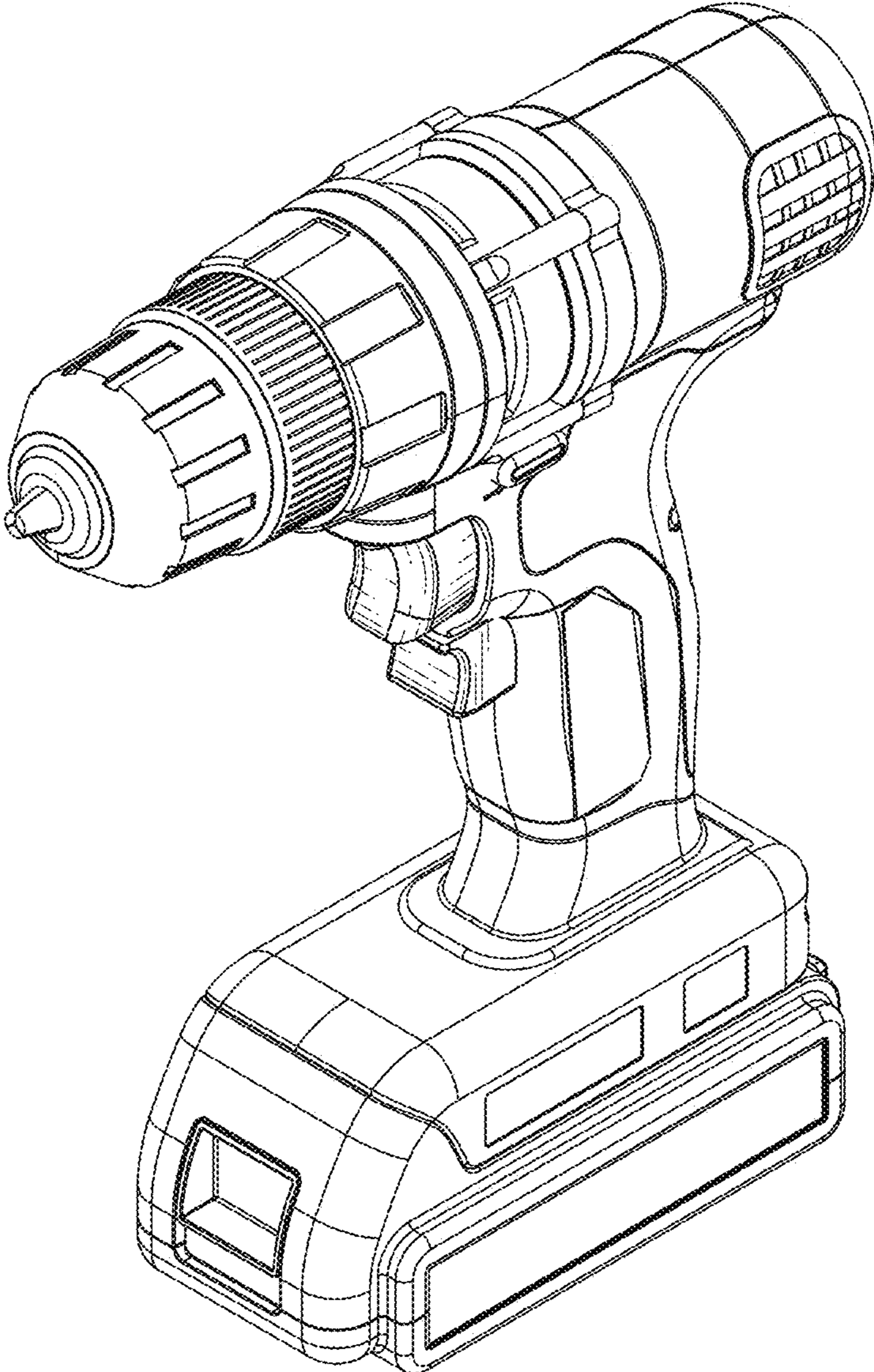


FIG. 1

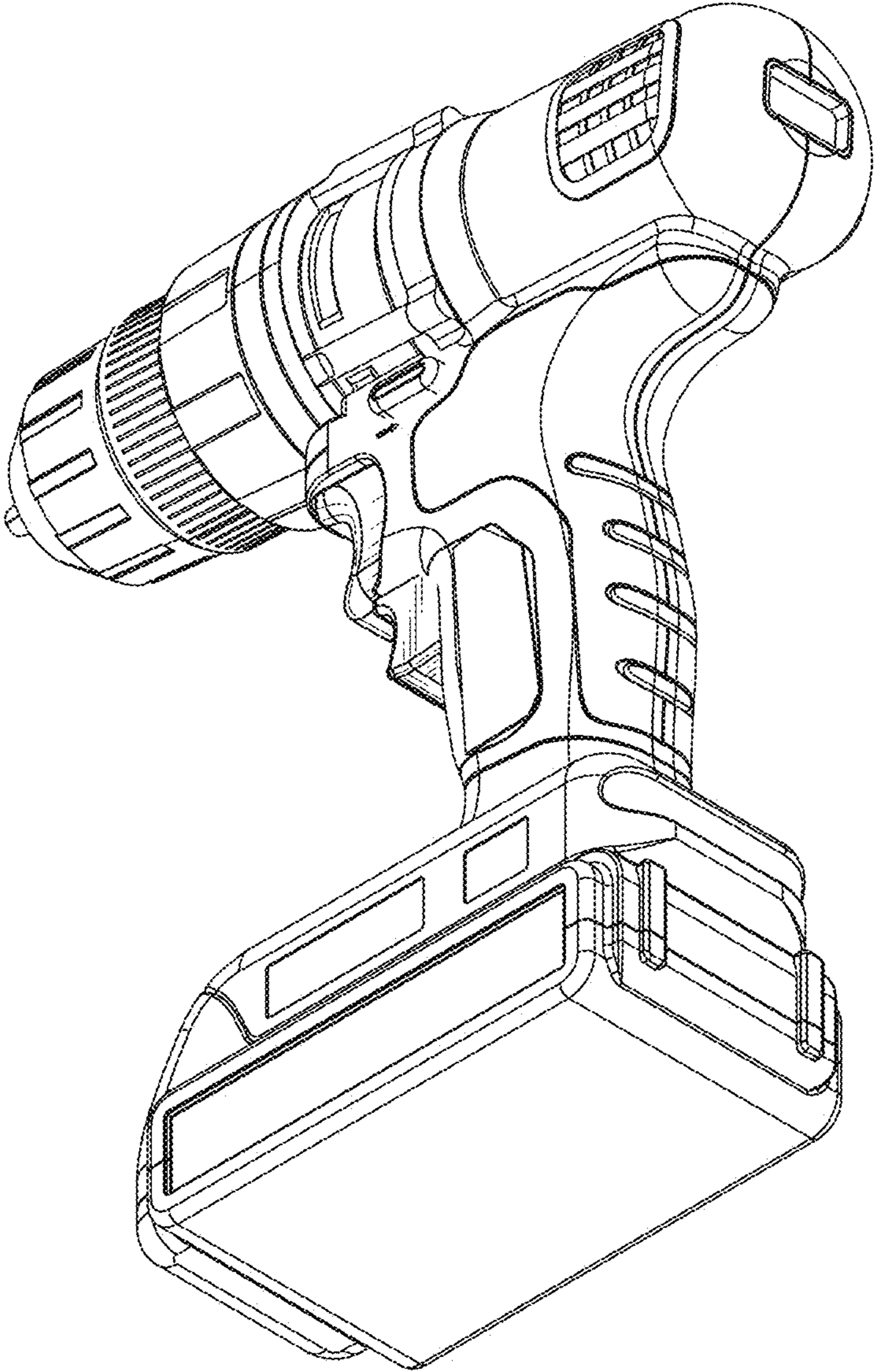


FIG. 2

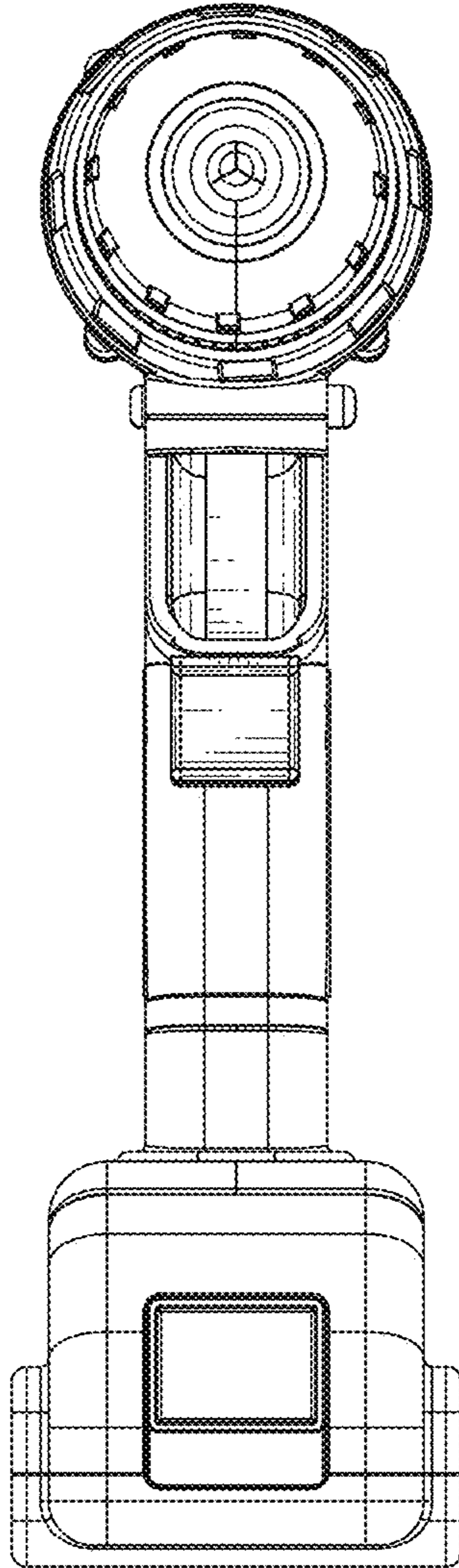


FIG. 3

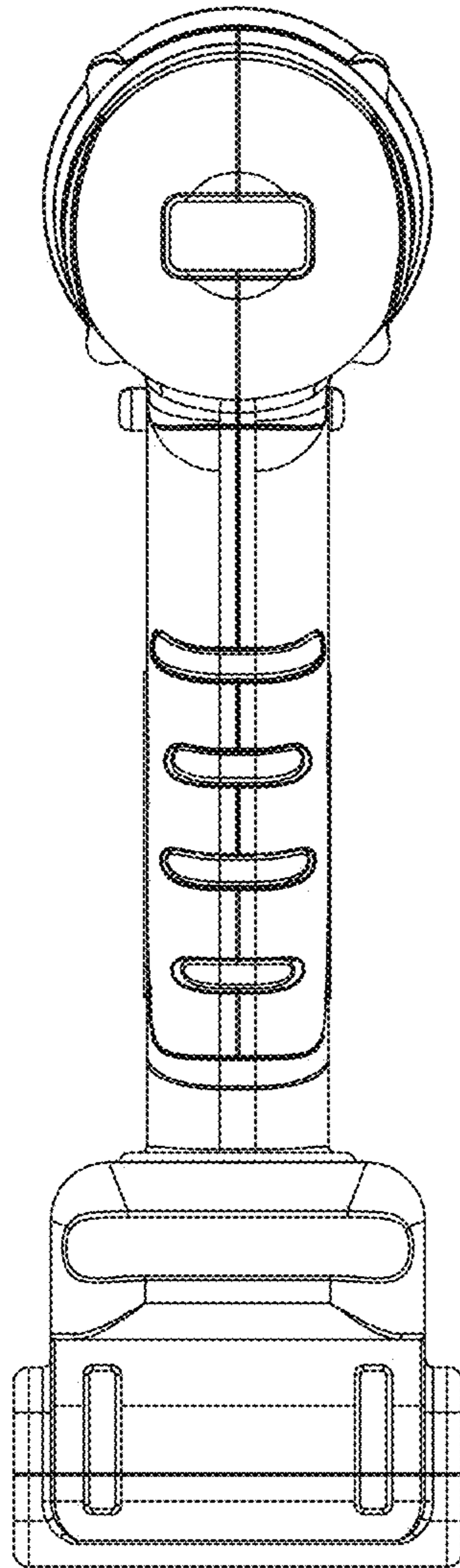


FIG. 4

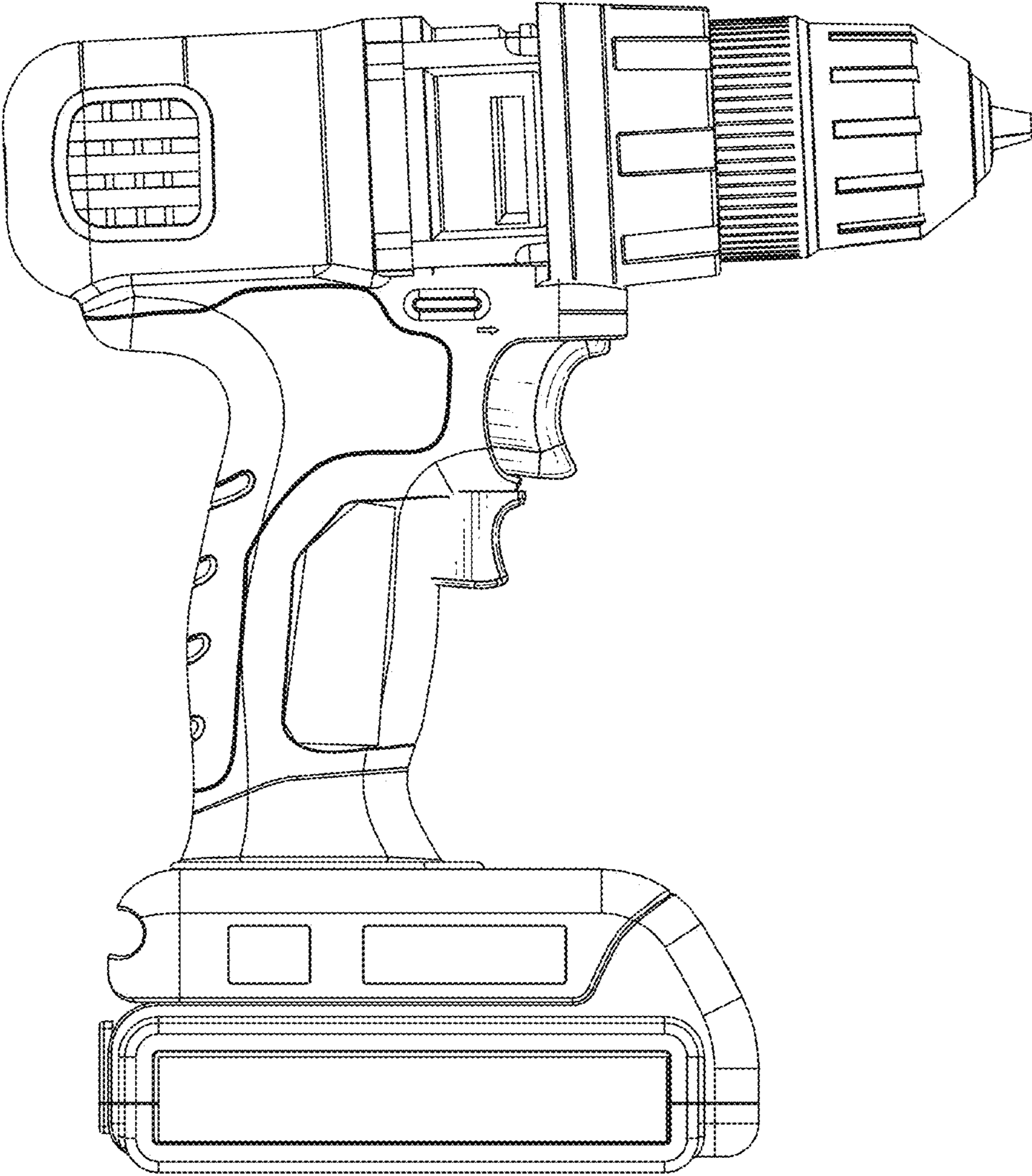


FIG. 5

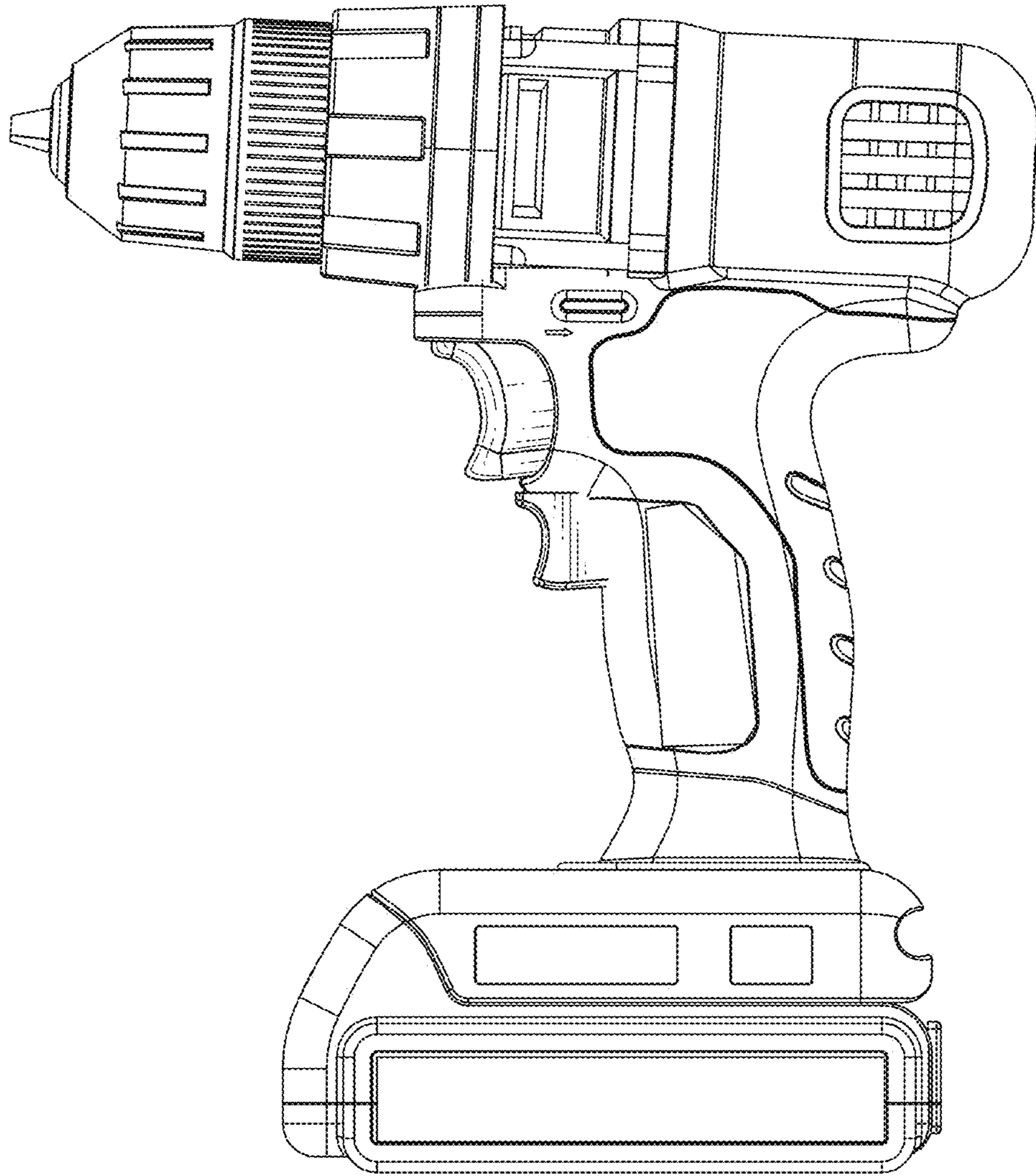


FIG. 6

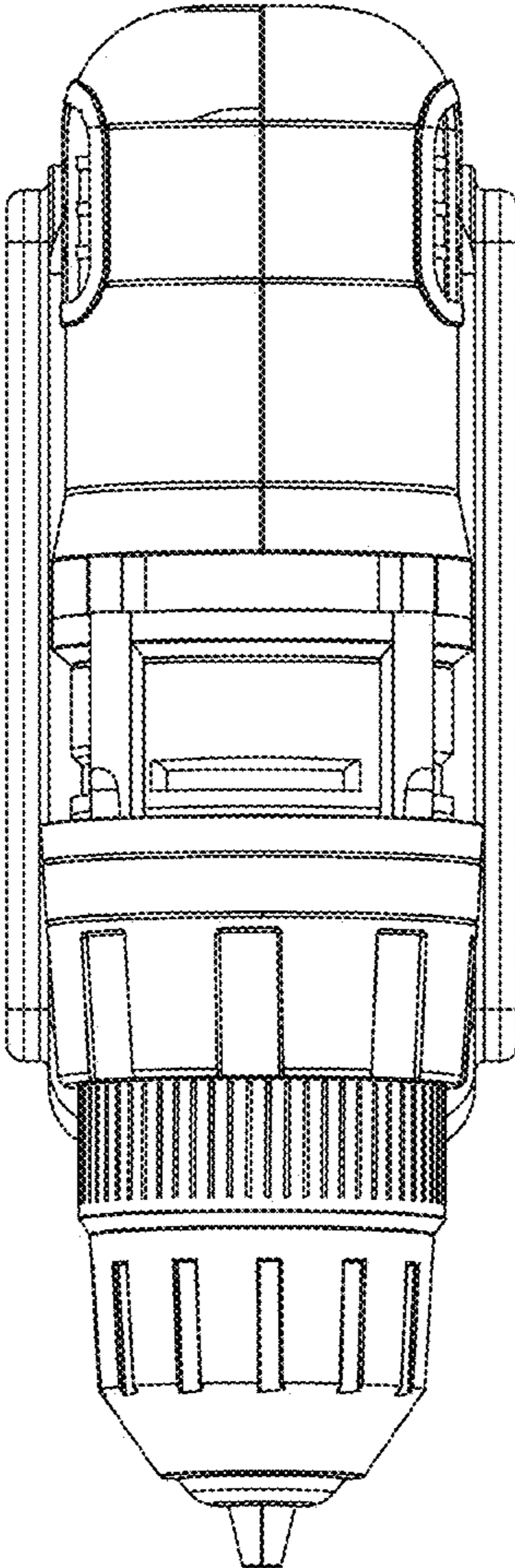


FIG. 7

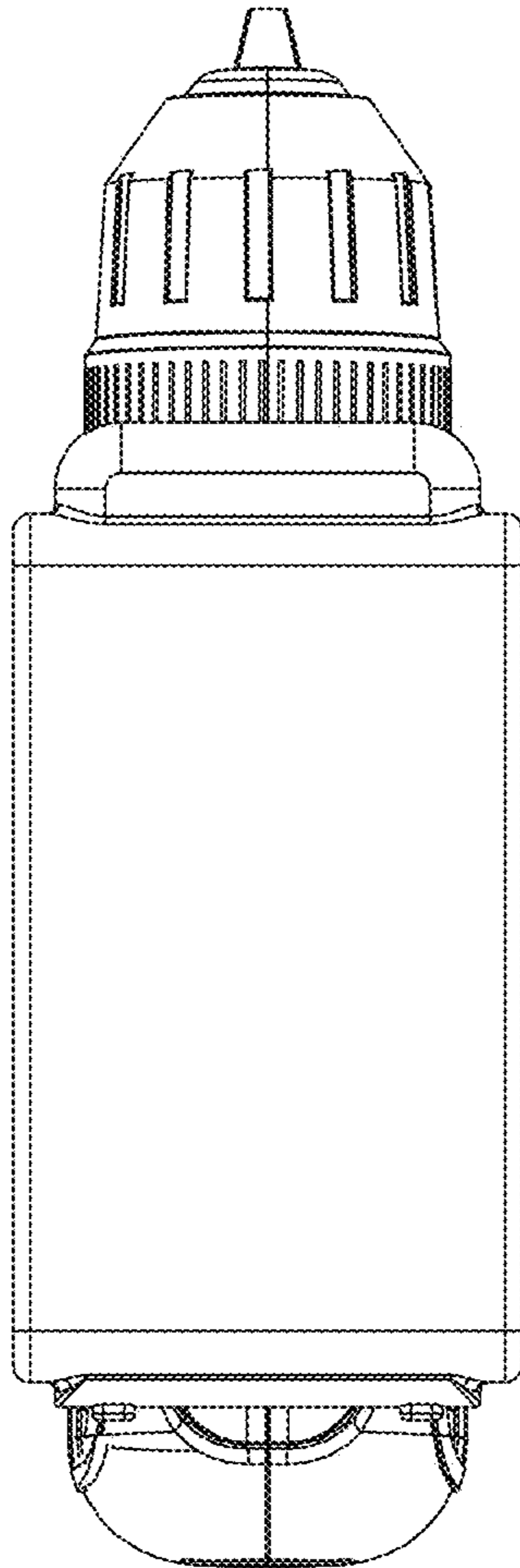


FIG. 8