



US0D1027576S

(12) **United States Design Patent** (10) **Patent No.:** **US D1,027,576 S**  
**Finnance** (45) **Date of Patent:** **\*\* May 21, 2024**

(54) **JUICER**

(71) Applicant: **Capbran Holdings, LLC**, Los Angeles, CA (US)

(72) Inventor: **Robert Finnance**, Los Angeles, CA (US)

(73) Assignee: **Capbran Holdings, LLC**, Los Angeles, CA (US)

(\*\*) Term: **15 Years**

(21) Appl. No.: **29/728,441**

(22) Filed: **Mar. 18, 2020**

(51) **LOC (14) Cl.** ..... **07-04**

(52) **U.S. Cl.**  
USPC ..... **D7/665**

(58) **Field of Classification Search**  
USPC ..... D7/665, 384, 372, 376, 378, 383, 386,  
D7/412, 413, 414, 415, 679, 692  
(Continued)

(56) **References Cited**

**U.S. PATENT DOCUMENTS**

4,111,372 A \* 9/1978 Hicks ..... A47J 43/0772  
241/37.5  
4,213,570 A \* 7/1980 Jones ..... A47J 43/046  
241/38

(Continued)

**FOREIGN PATENT DOCUMENTS**

CA 211725 \* 5/2022  
CA 199634 \* 6/2022

(Continued)

**OTHER PUBLICATIONS**

Amazon website, Nutribullet Juicer 800W, Earliest comment Dec. 29, 2020, [site visited Feb. 21, 2024], Available on the Internet URL [www.amazon.in/dp/B08H8PWYVS](http://www.amazon.in/dp/B08H8PWYVS) (Year: 2020).\*

(Continued)

*Primary Examiner* — S. Bryan Reinholdt, Jr.

(74) *Attorney, Agent, or Firm* — Trojan Law Offices

(57) **CLAIM**

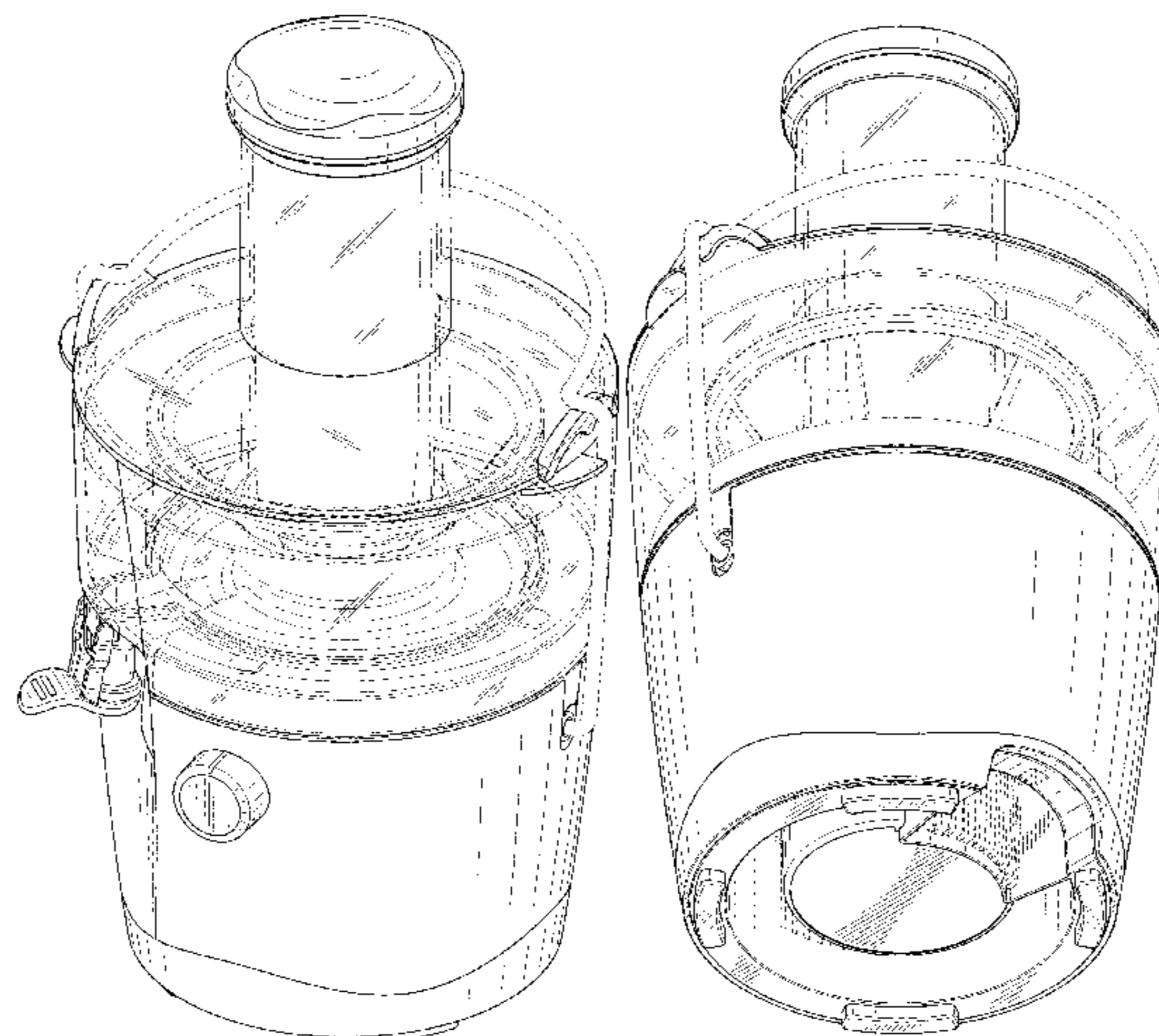
The ornamental design for a juicer, as shown and described.

**DESCRIPTION**

FIG. 1 is a front perspective view of the juicer having a container and base, in accordance with the present invention;  
FIG. 2 is a bottom perspective view of a juicer of FIG. 1;  
FIG. 3 is a front view of the juicer of FIG. 1;  
FIG. 4 is a rear view of the juicer of FIG. 1;  
FIG. 5 is a left side view of the juicer of FIG. 1;  
FIG. 6 is a right side view of the juicer of FIG. 1;  
FIG. 7 is a top view of the juicer of FIG. 1;  
FIG. 8 is a bottom view of the juicer of FIG. 1;  
FIG. 9 is a front perspective view of the juicer of FIG. 1 showing the base with the container removed for clarity;  
FIG. 10 is a bottom perspective view thereof;  
FIG. 11 is a front view thereof;  
FIG. 12 is a rear view thereof;  
FIG. 13 is a left side view thereof;  
FIG. 14 is a right side view thereof;  
FIG. 15 is a top view thereof;  
FIG. 16 is a bottom view thereof;  
FIG. 17 is a front perspective view of the juicer of FIG. 1 showing the container with the base removed for clarity;  
FIG. 18 is a bottom perspective view thereof;  
FIG. 19 is a front view thereof;  
FIG. 20 is a rear view thereof;  
FIG. 21 is a left side view thereof;  
FIG. 22 is a right side view thereof;  
FIG. 23 is a top view thereof; and,  
FIG. 24 is a bottom view thereof.

Any broken lines, shown throughout in the drawing figures, are included for the purpose of illustrating environmental structures and form no part of the claimed design.

**1 Claim, 19 Drawing Sheets**



(58) **Field of Classification Search**  
 CPC ..... A47J 19/02; A47J 19/06; A47J 19/27  
 See application file for complete search history.

(56) **References Cited**

U.S. PATENT DOCUMENTS

4,226,373 A \* 10/1980 Williams ..... A47J 43/0788  
 241/37.5  
 4,316,584 A \* 2/1982 Valbona ..... A47J 43/046  
 241/38  
 4,350,087 A \* 9/1982 Ramirez ..... A47J 19/027  
 99/511  
 4,396,159 A \* 8/1983 Podell ..... A47J 43/046  
 241/37.5  
 D309,083 S \* 7/1990 Kahlcke ..... D7/665  
 4,941,403 A \* 7/1990 Cimenti ..... A47J 43/0772  
 241/37.5  
 D318,402 S \* 7/1991 Barrault ..... D7/665  
 D439,808 S \* 4/2001 McClean ..... D7/665  
 D471,408 S \* 3/2003 Fouquet ..... D7/665  
 D489,949 S \* 5/2004 Chung ..... D7/665  
 D501,370 S \* 2/2005 Hensel ..... D7/665  
 D506,108 S \* 6/2005 Cohen ..... D7/665  
 D513,943 S \* 1/2006 Hsu ..... D7/665  
 D522,321 S \* 6/2006 Hsu ..... D7/665  
 D528,873 S \* 9/2006 Hensel ..... D7/665  
 D534,400 S \* 1/2007 Cohen ..... D7/665  
 D538,115 S \* 3/2007 Lin ..... D7/665  
 D594,717 S \* 6/2009 Wu Chang ..... D7/665  
 D660,660 S \* 5/2012 Kim ..... D7/666  
 D665,632 S \* 8/2012 Kim ..... D7/665  
 D666,880 S \* 9/2012 Ferraby ..... D7/665  
 D676,287 S \* 2/2013 Ferraby ..... D7/665  
 D682,629 S \* 5/2013 Bachmann ..... D7/665  
 D684,827 S \* 6/2013 Kim ..... D7/665  
 D698,210 S \* 1/2014 Lavy ..... D7/665  
 D710,659 S \* 8/2014 Marquez ..... D7/665  
 D718,094 S \* 11/2014 Yan ..... D7/665  
 D755,580 S \* 5/2016 Bock ..... D7/665  
 D787,896 S \* 5/2017 Ye ..... D7/665  
 D929,818 S \* 9/2021 Finnance ..... D7/665  
 D982,377 S \* 4/2023 Finnance ..... D7/384  
 2008/0314261 A1 \* 12/2008 Hensel ..... A47J 37/0835  
 99/511  
 2010/0300307 A1 \* 12/2010 Huang ..... A47J 19/027  
 99/511

2011/0154997 A1 \* 6/2011 Huang ..... A47J 19/00  
 99/508  
 2011/0174601 A1 \* 7/2011 Huang ..... A47J 43/0777  
 200/330  
 2012/0291638 A1 \* 11/2012 Kim ..... A47J 19/027  
 99/501  
 2015/0033958 A1 \* 2/2015 Cheung ..... A23N 1/02  
 99/509  
 2015/0335059 A1 \* 11/2015 Palmer ..... A23B 4/005  
 99/353  
 2015/0342245 A1 \* 12/2015 Hensel ..... A23N 1/02  
 99/509  
 2016/0000136 A1 \* 1/2016 Carley ..... A23N 1/02  
 99/513  
 2017/0231414 A1 \* 8/2017 Moon ..... A47J 19/025  
 99/492  
 2023/0121117 A1 \* 4/2023 Thomas ..... A47J 19/027  
 99/511

FOREIGN PATENT DOCUMENTS

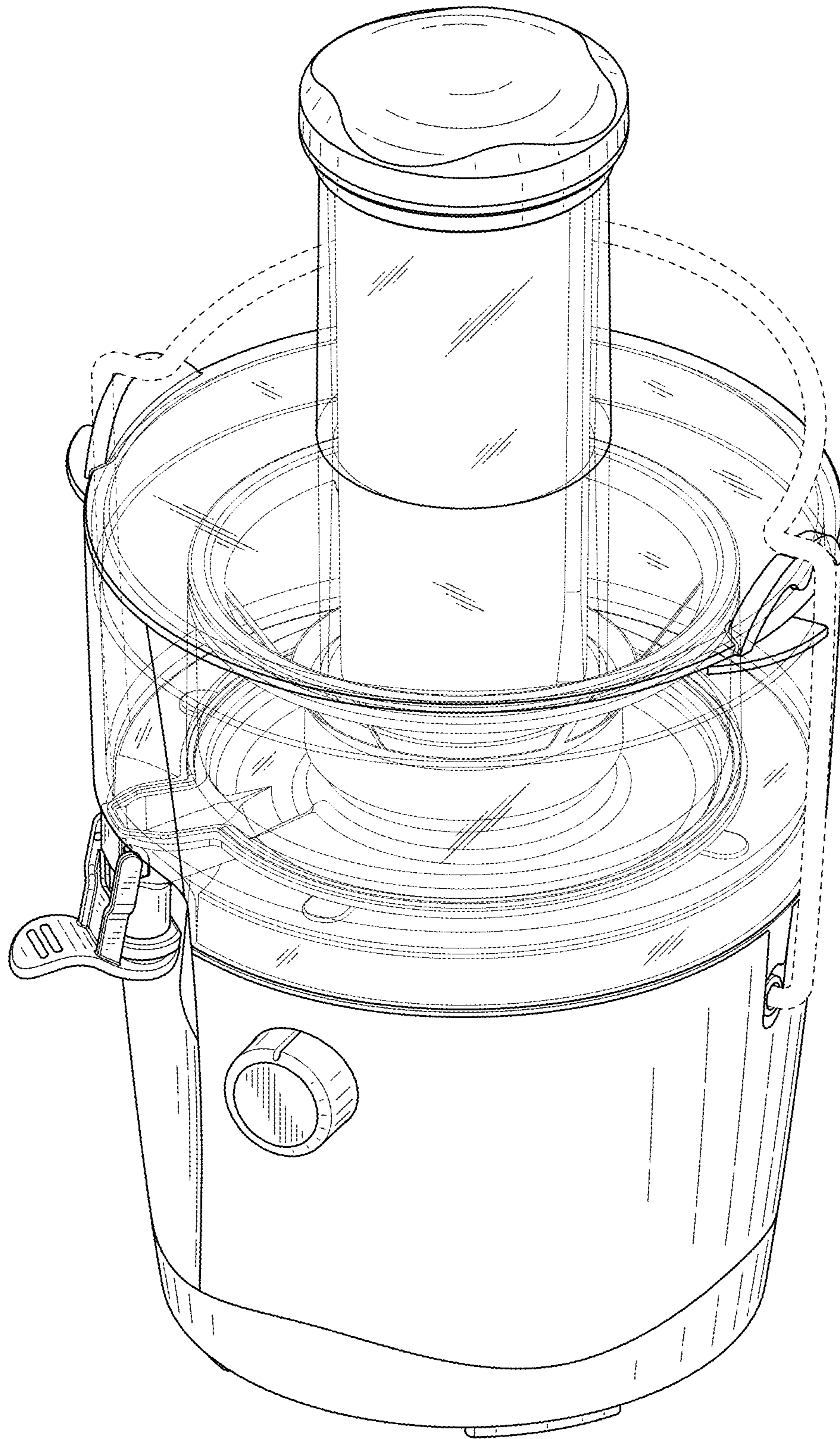
CA	197613	* 7/2022
HK	2016837-0001	* 9/2020
IL	65592	* 4/2021
IN	333228-001	* 9/2020
IN	333229-001	* 9/2020
IN	333230-001	* 9/2020
IN	337785-001	* 1/2021
JP	D1682667	* 3/2021
JP	D1682668	* 3/2021
KR	3011345420-001	* 10/2021
KR	3011345420-002	* 10/2021
KR	3011345420-003	* 10/2021
KR	3011345420-004	* 10/2021
TW	218106-0001	* 1/2021
TW	211181-0001	* 4/2021

OTHER PUBLICATIONS

Tasting Table website, Best Juicer: The 2023 Tasting Table, Publication date Aug. 1, 2023, [site visited Feb. 21, 2024], Available on the Internet URL [www.tastingtable.com/1351861/best-juicer-2023-tasting-table-awards/](http://www.tastingtable.com/1351861/best-juicer-2023-tasting-table-awards/) (Year: 2023).\*

Nutribullet website, Nutribullet 800W Juicer, Publication date unknown, [site visited Feb. 21, 2024], Available on the Internet URL [www.nutribullet.com/shop/juicers/nutribullet-juicer/](http://www.nutribullet.com/shop/juicers/nutribullet-juicer/) (Year: 2024).\*

\* cited by examiner



*FIG. 1*

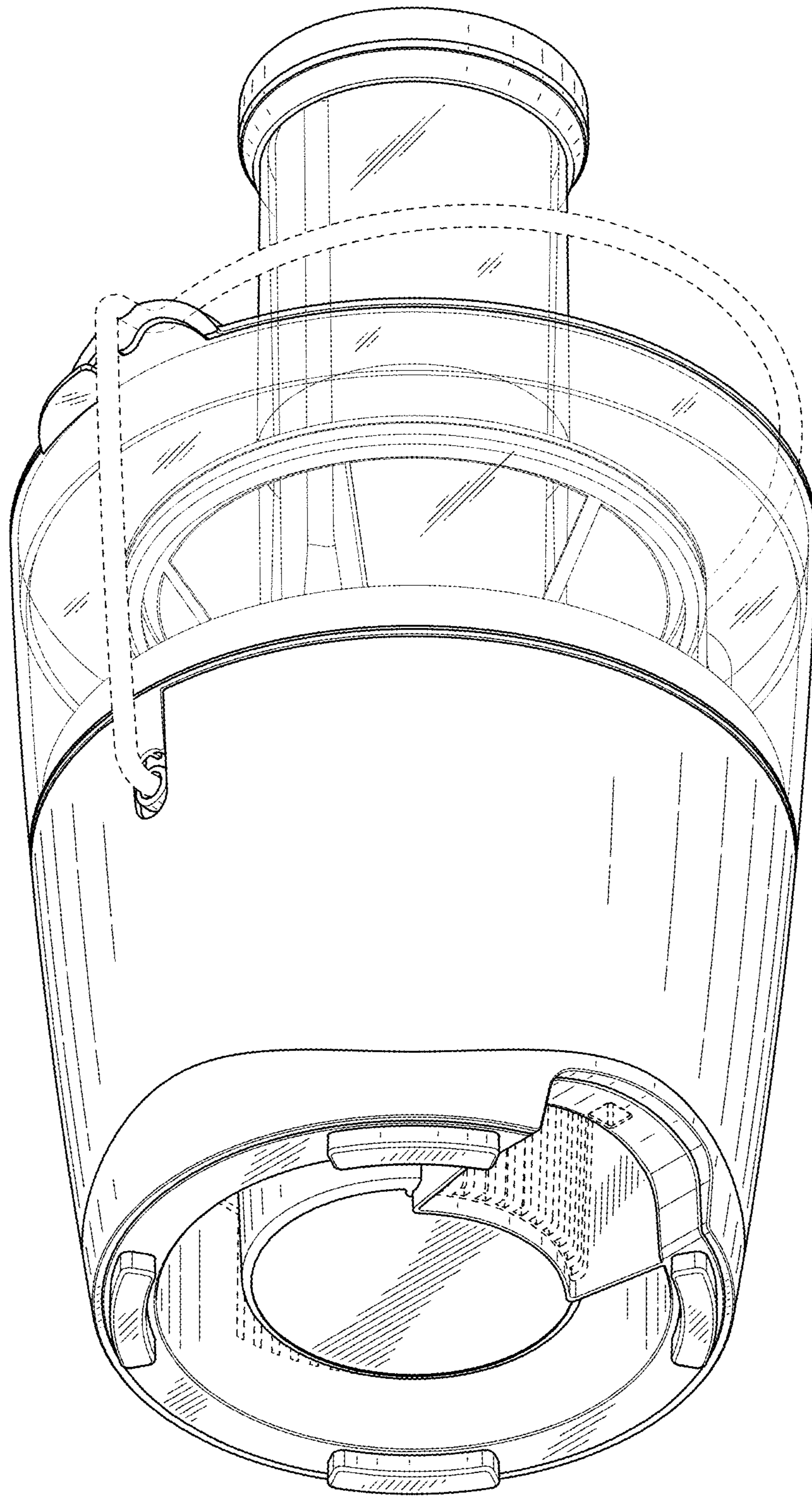


FIG. 2

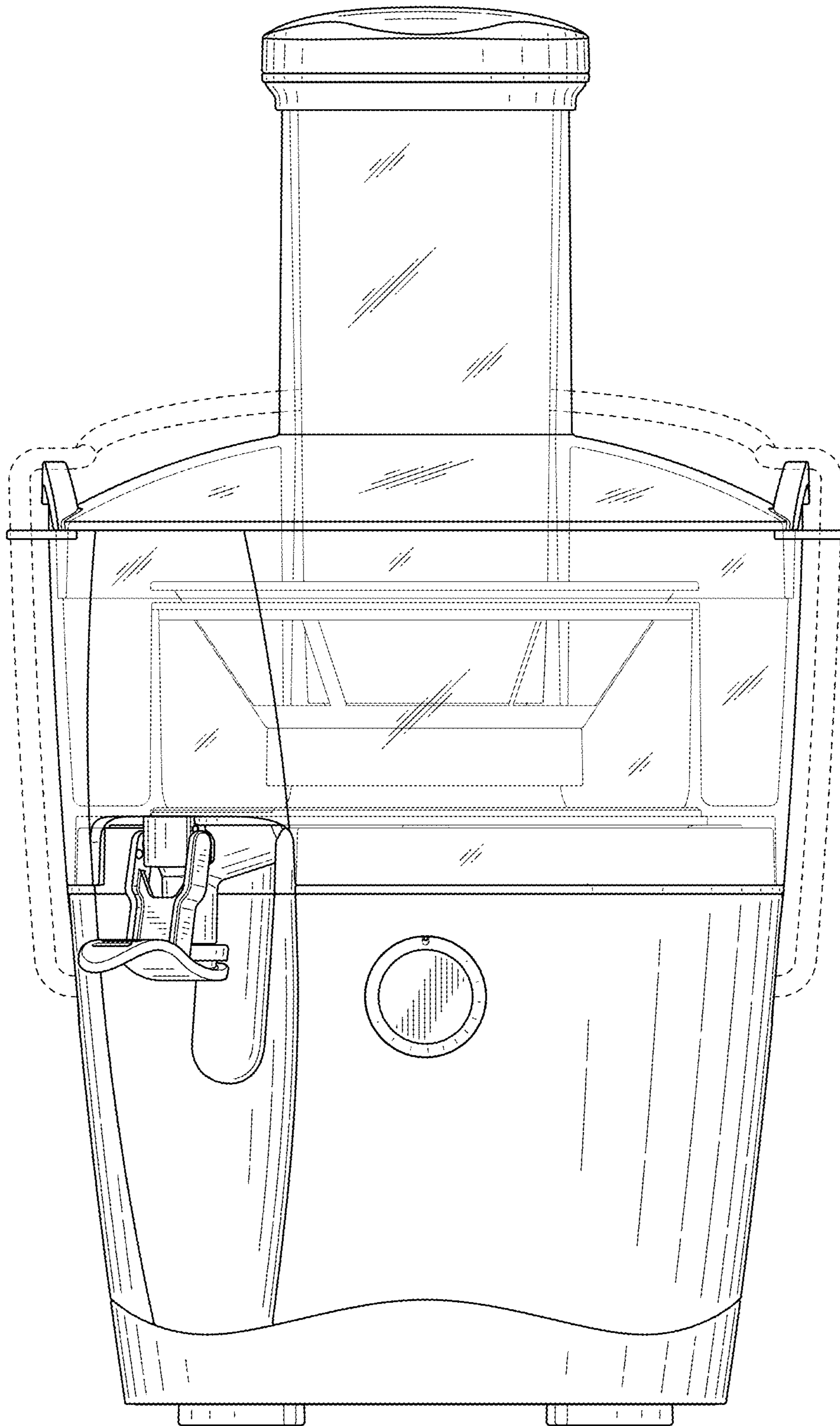
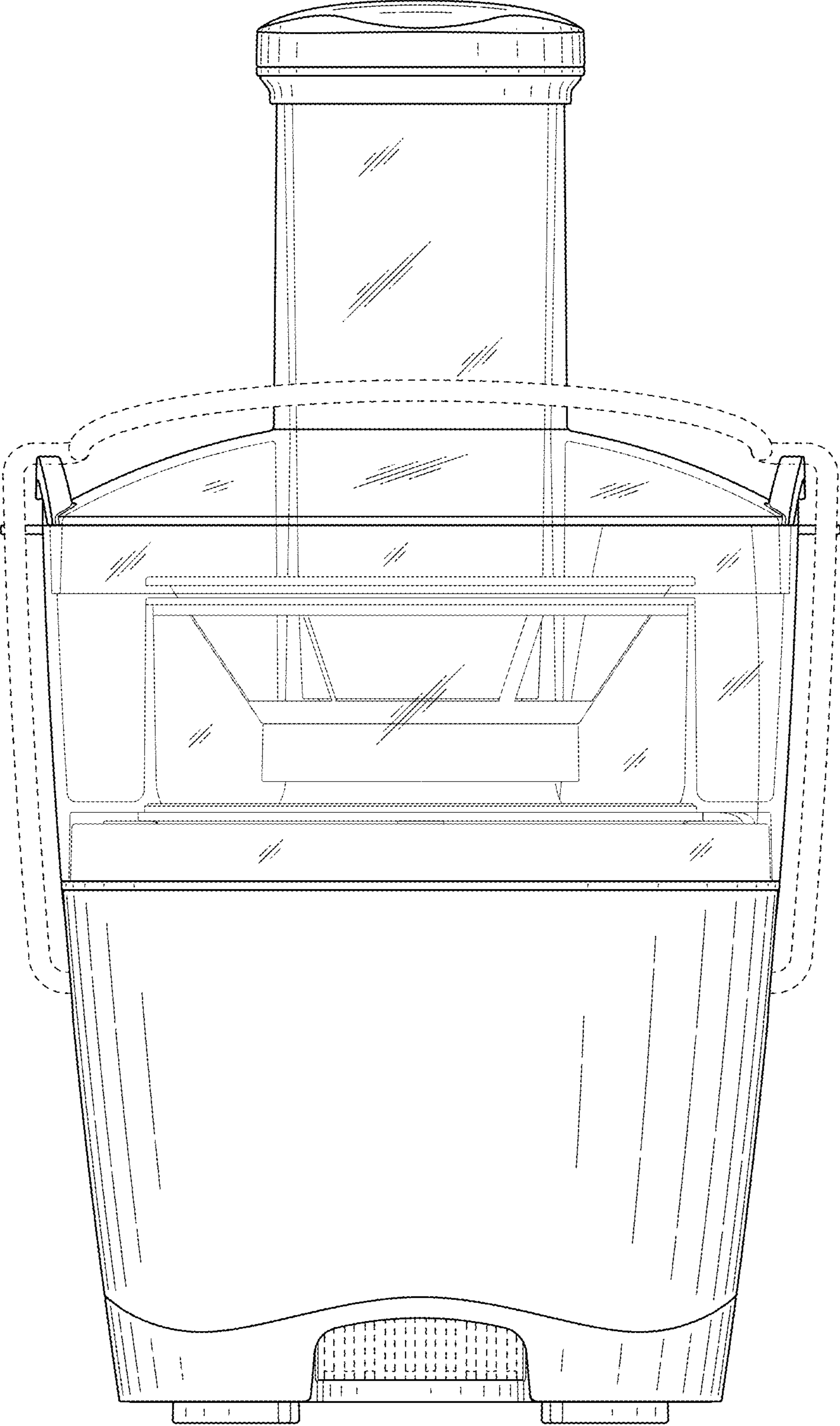


FIG. 3



*FIG. 4*

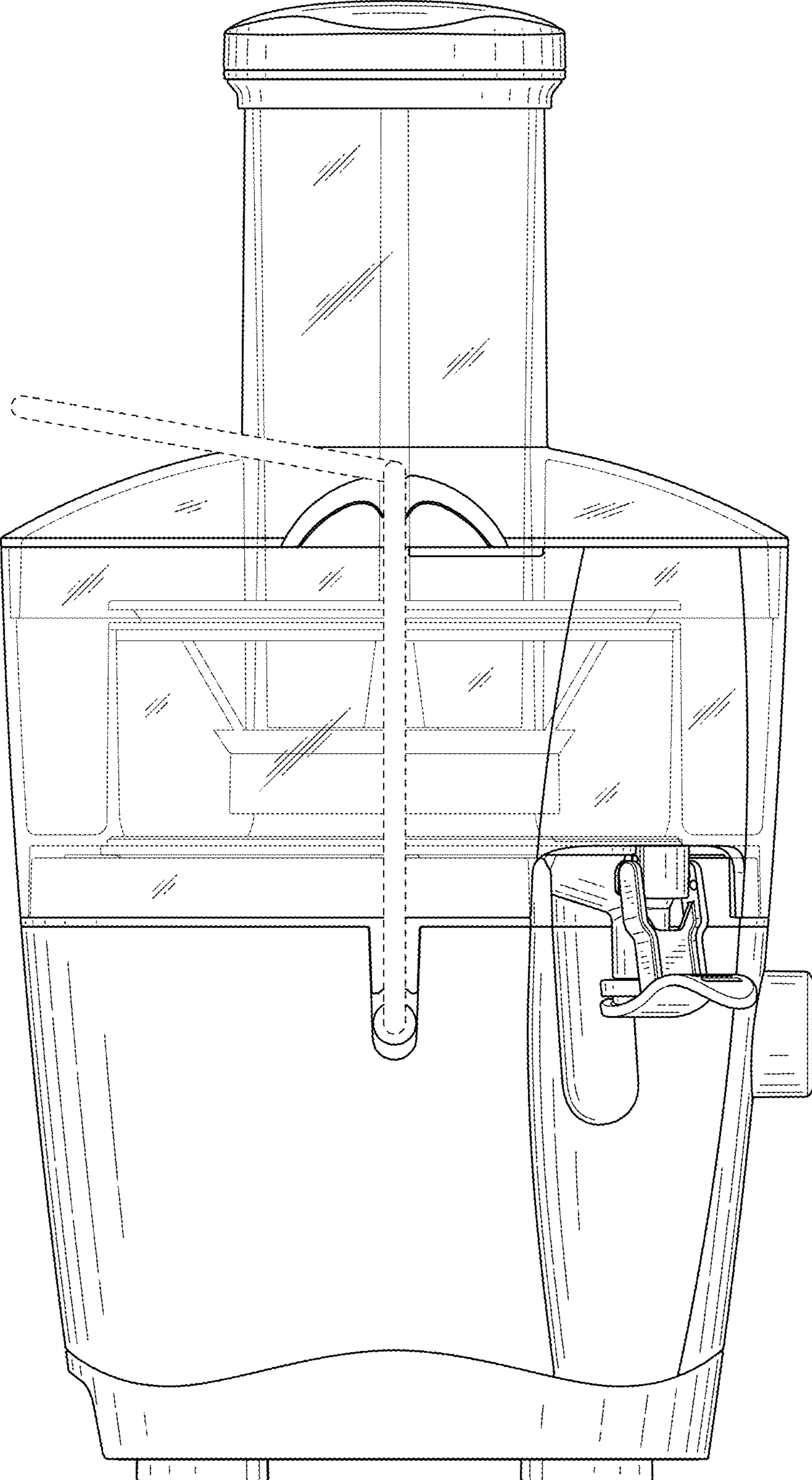


FIG. 5

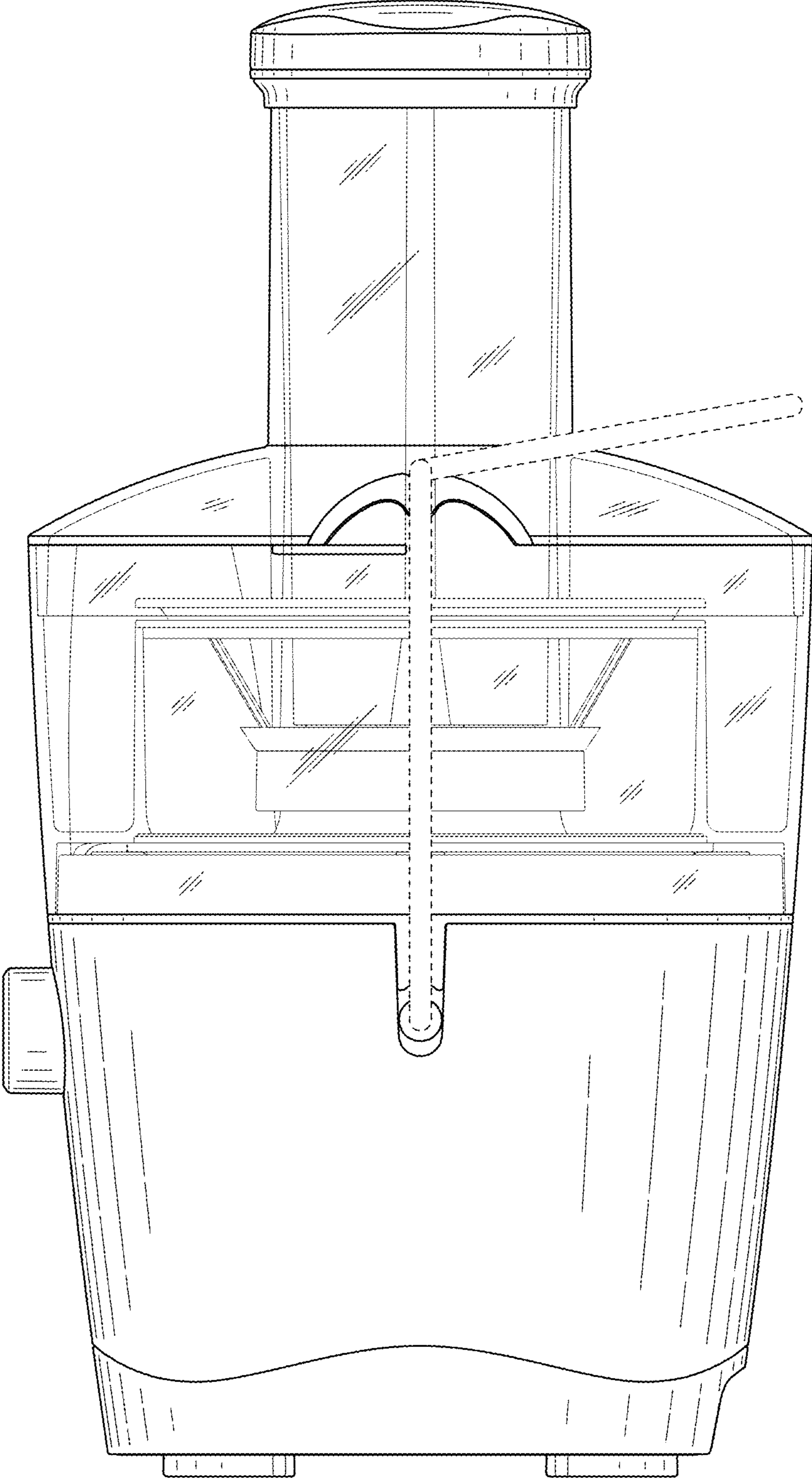
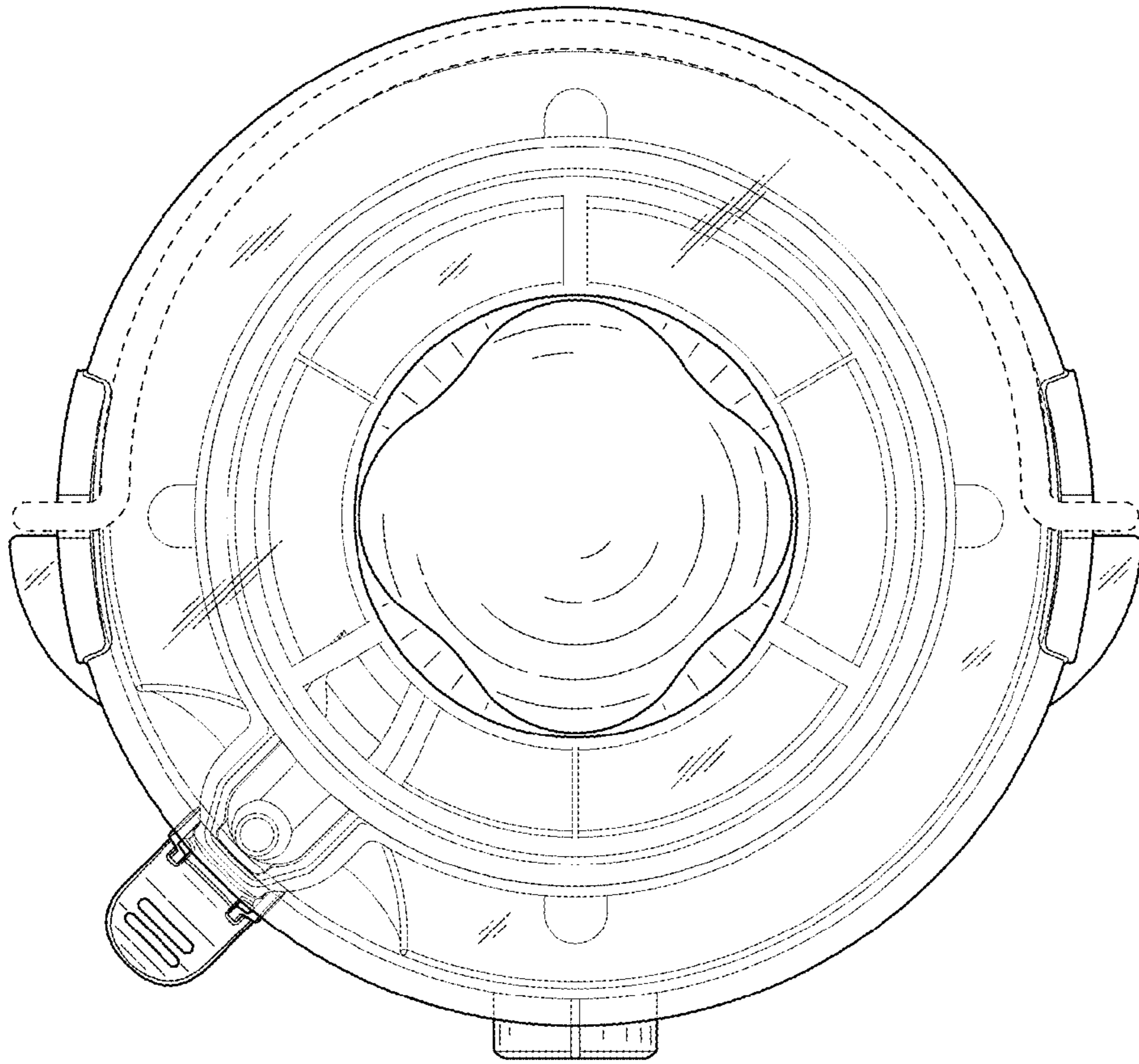
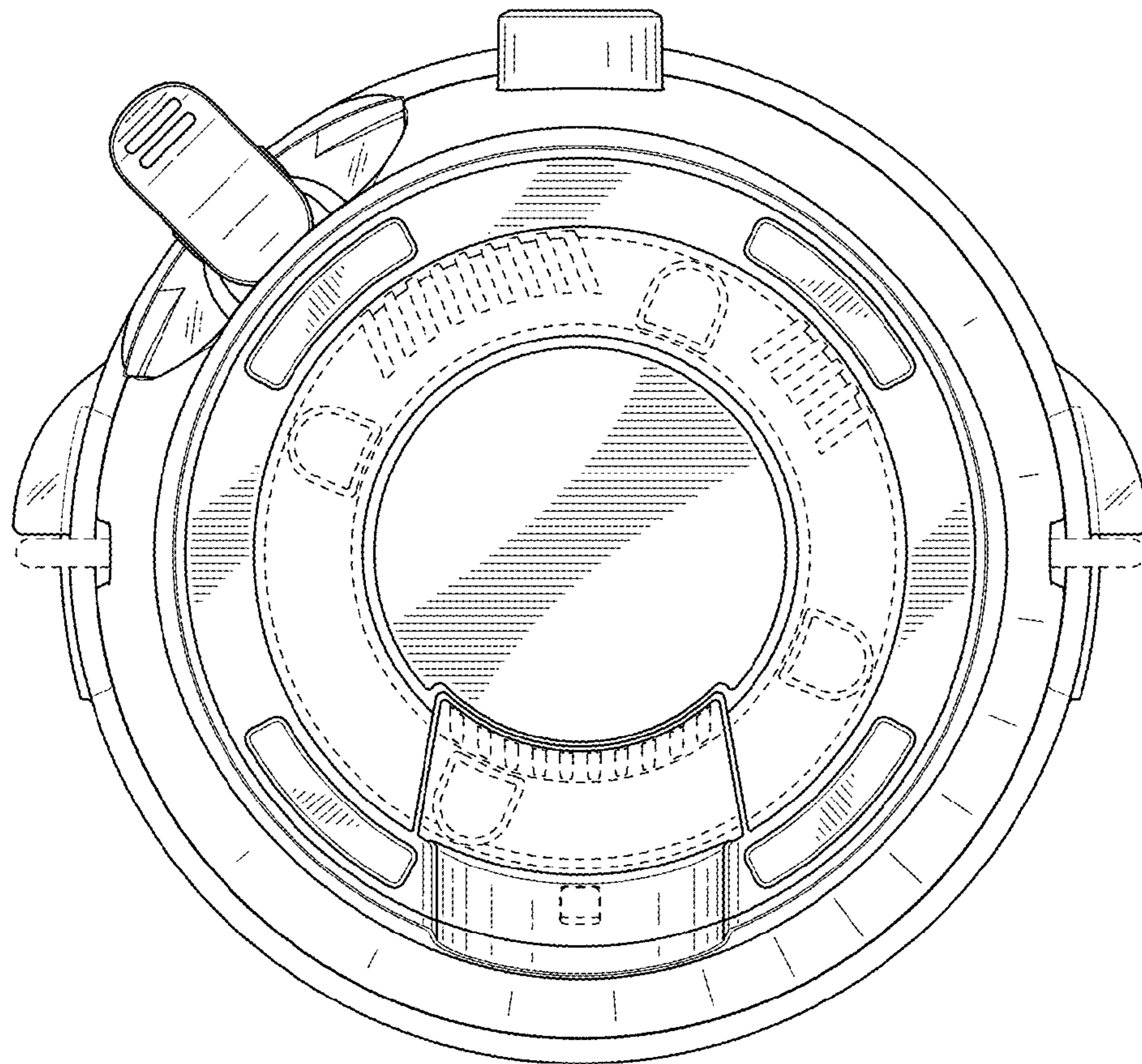


FIG. 6





*FIG. 7*



*FIG. 8*

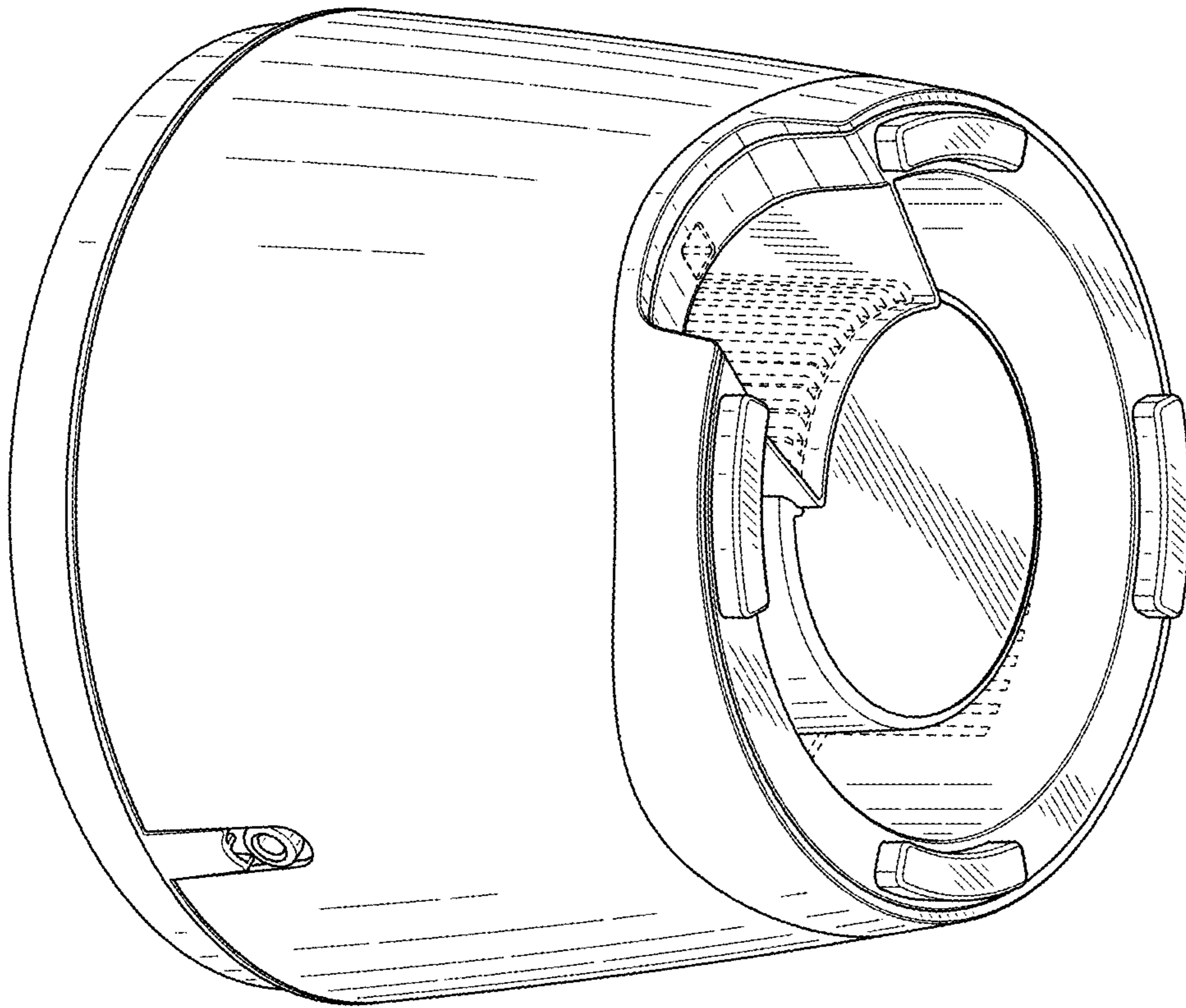


FIG. 10

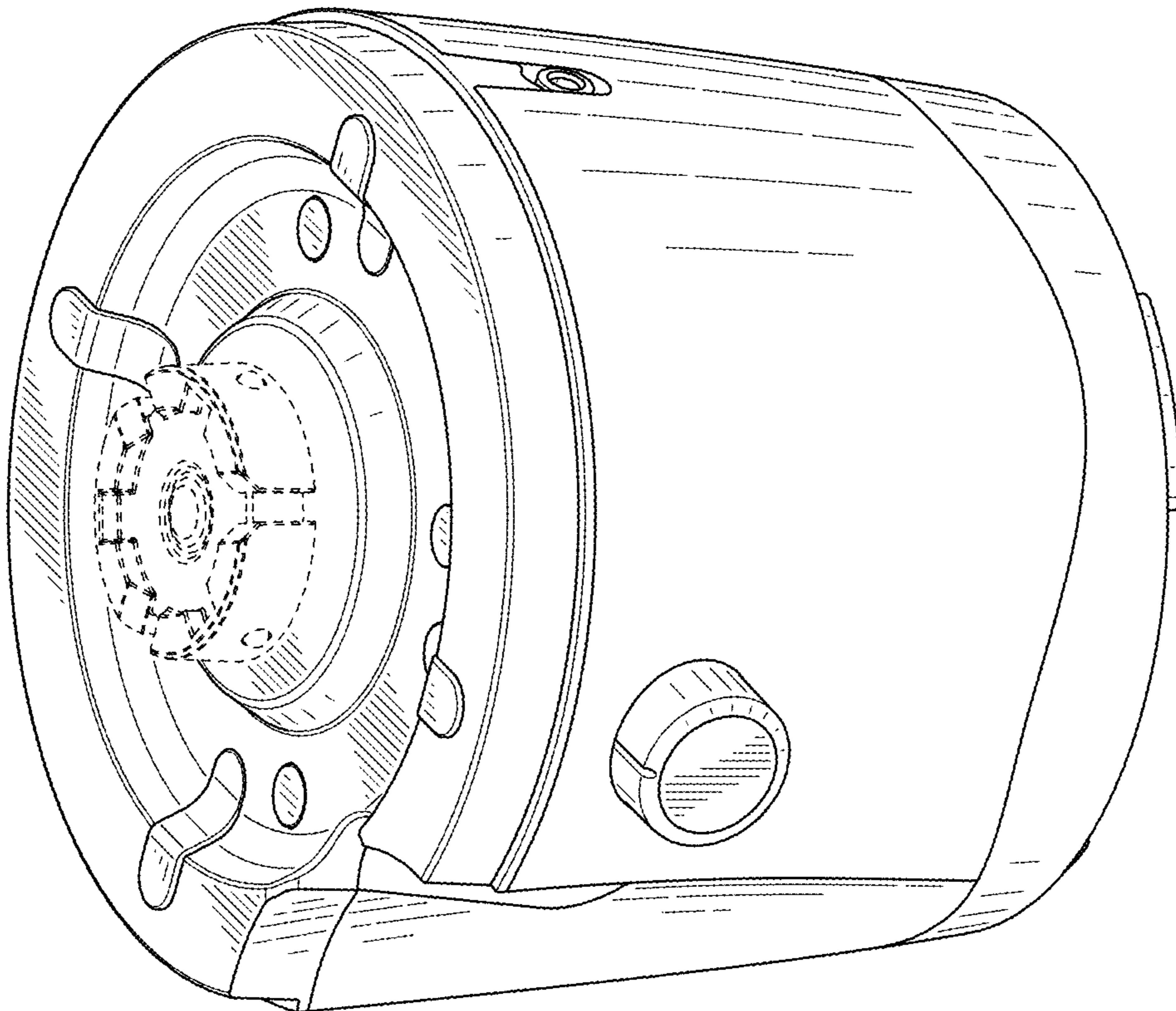
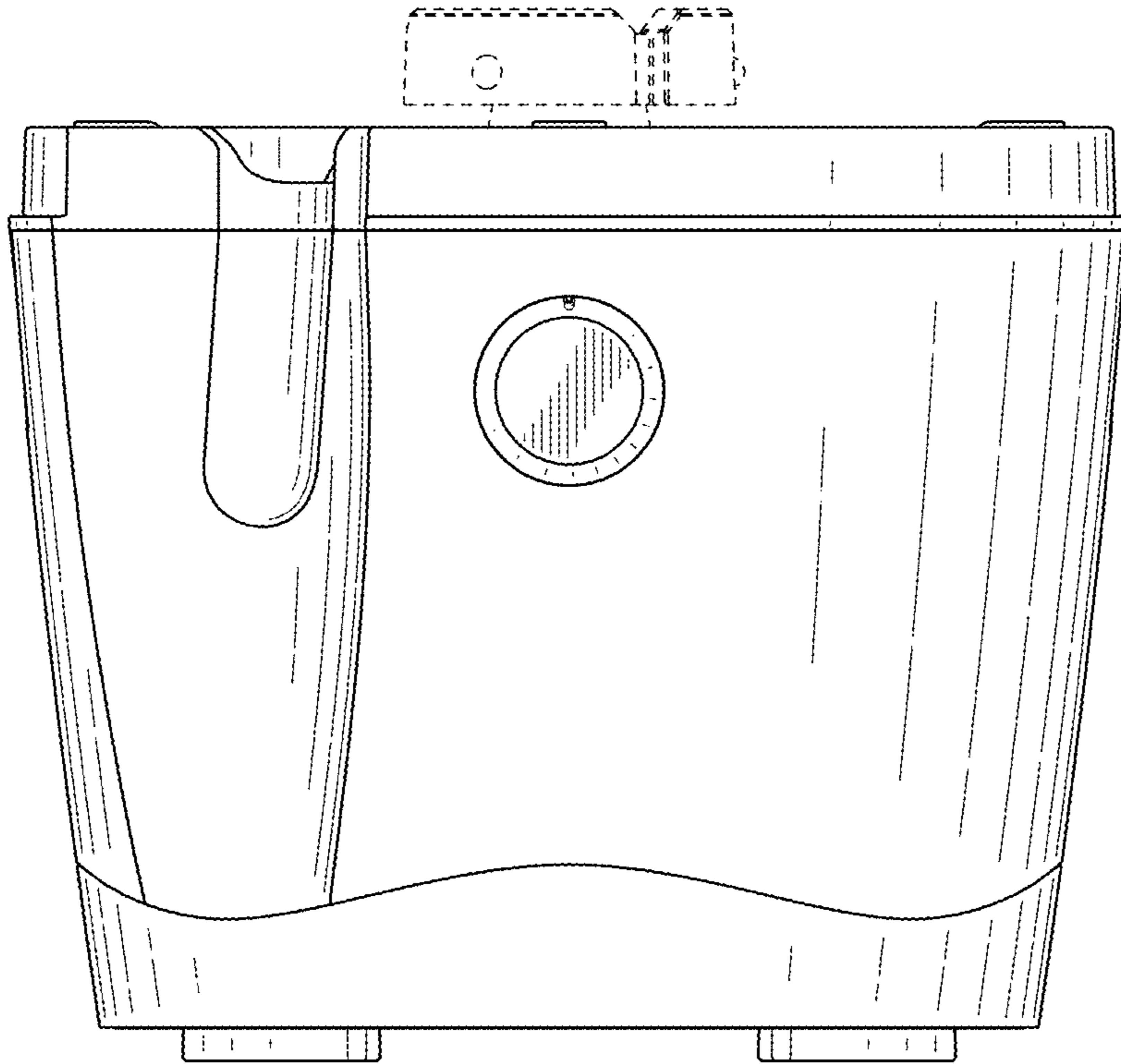
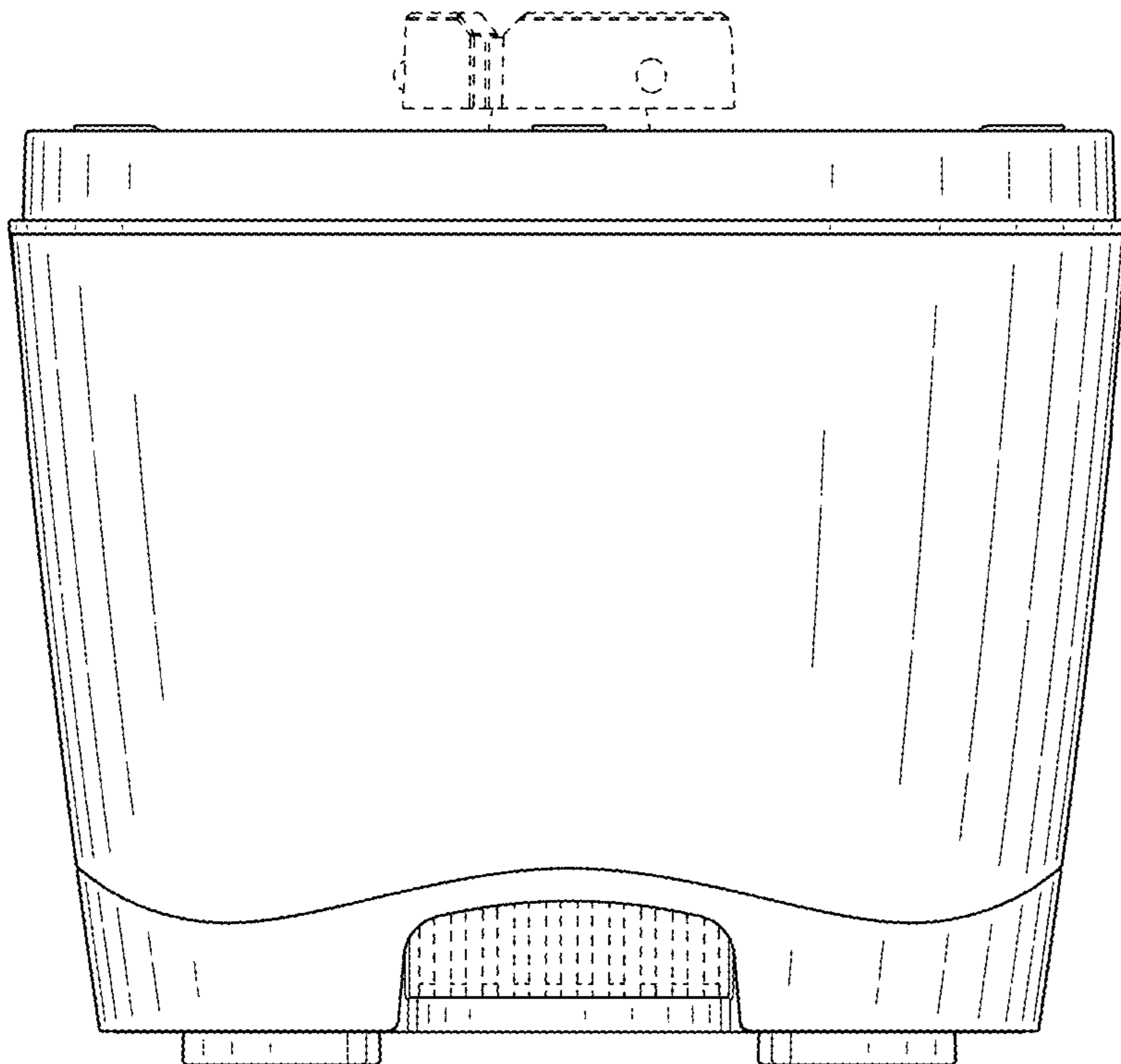


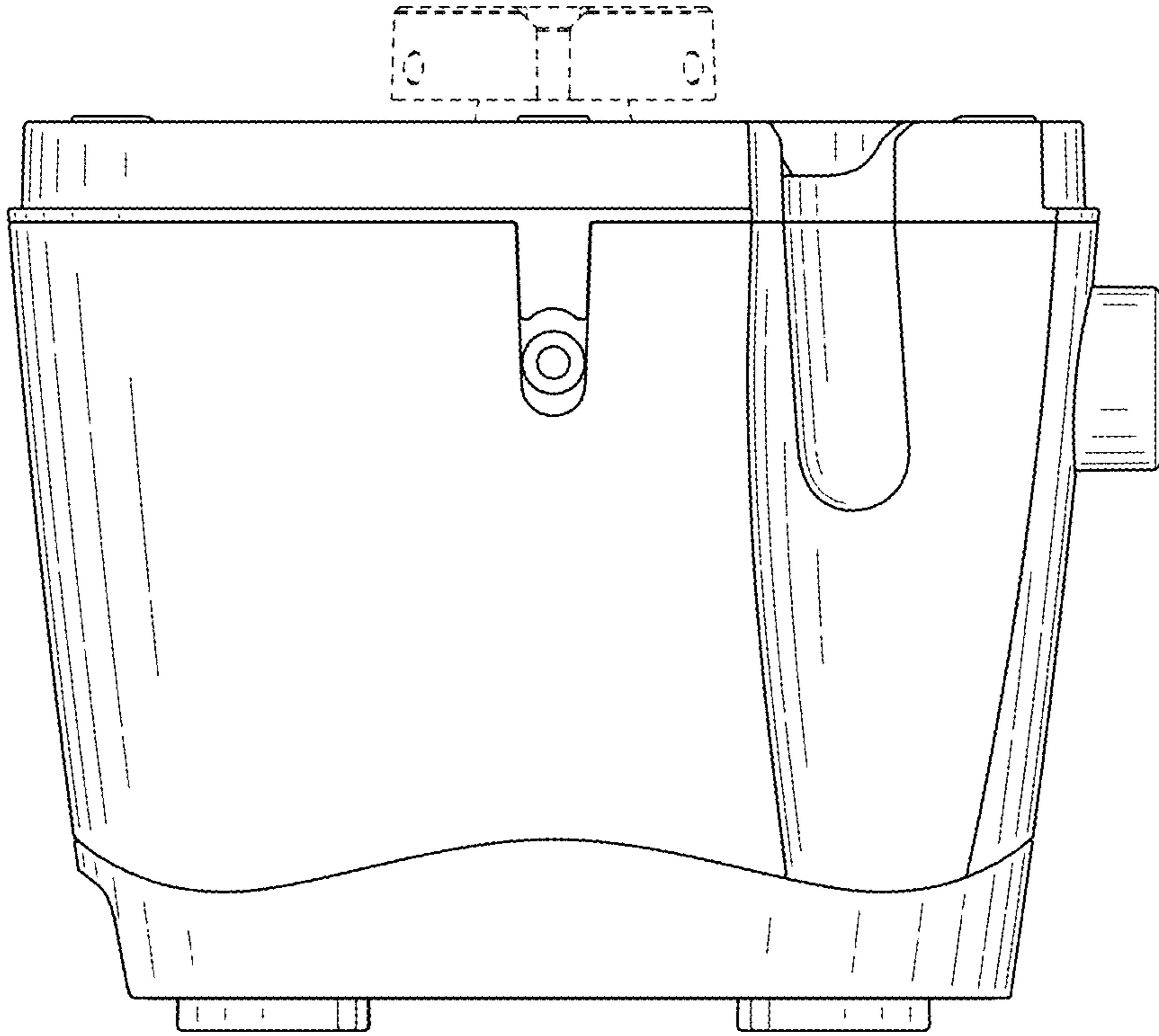
FIG. 9



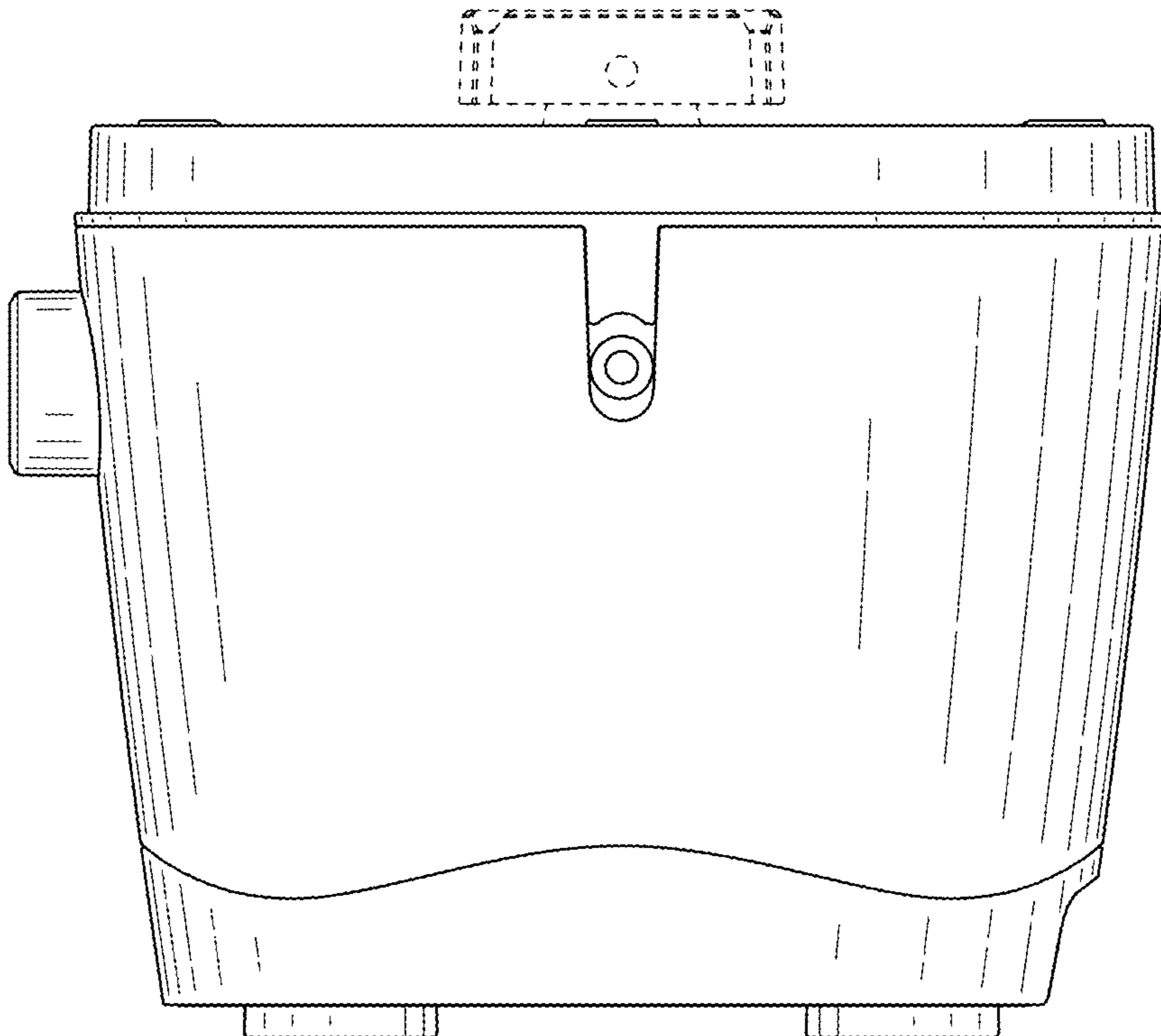
*FIG. 11*



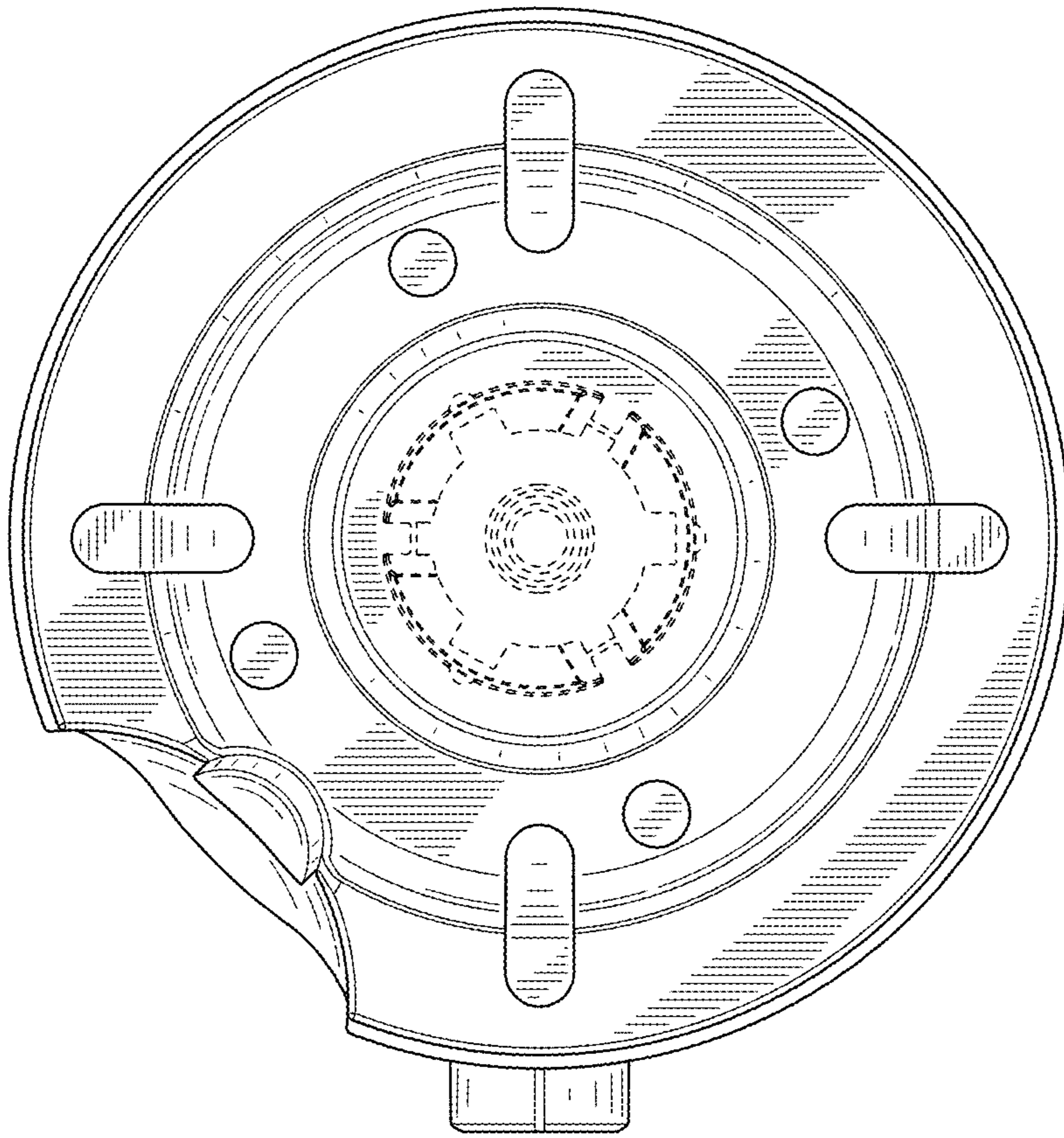
*FIG. 12*



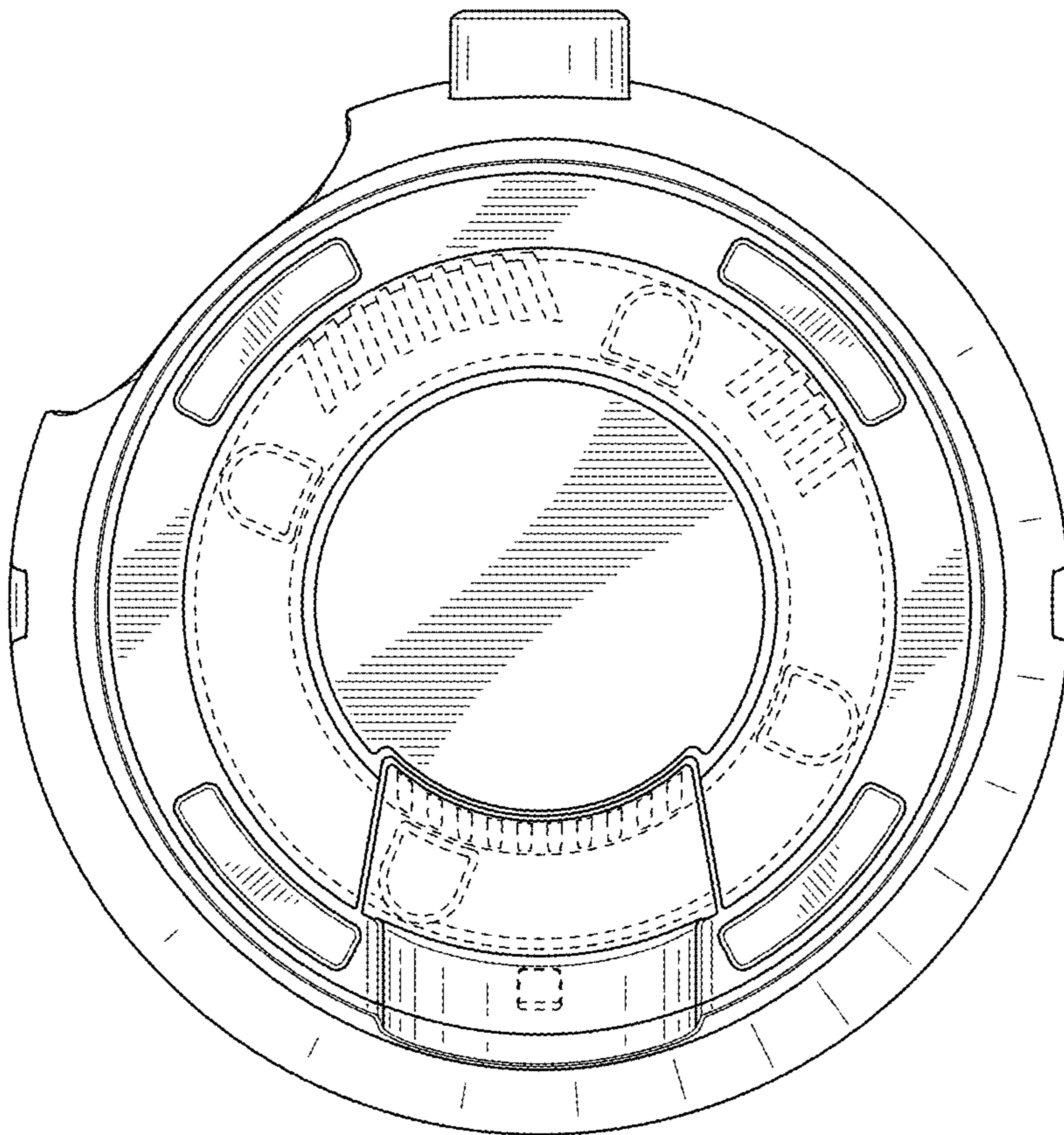
*FIG. 13*



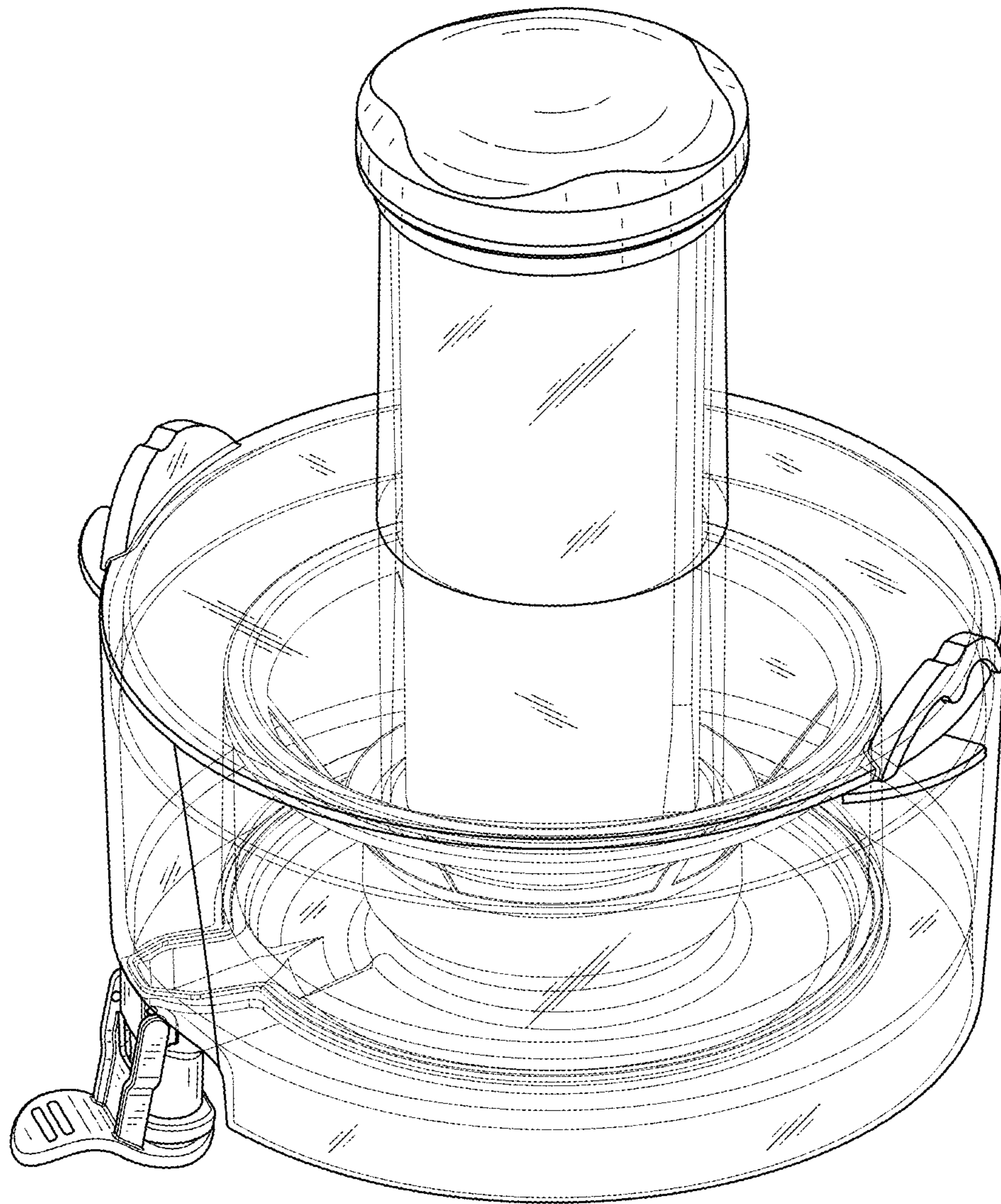
*FIG. 14*



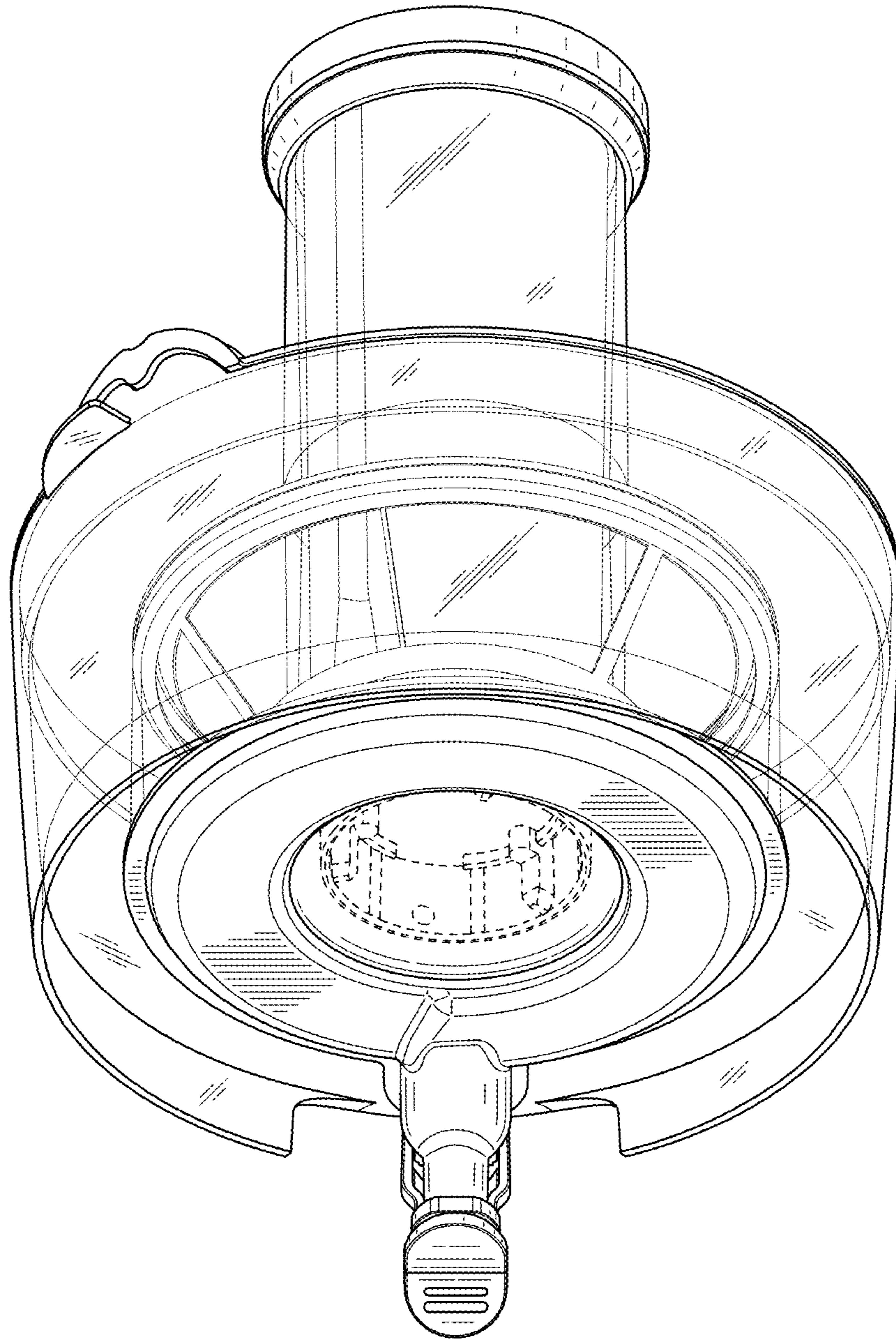
*FIG. 15*



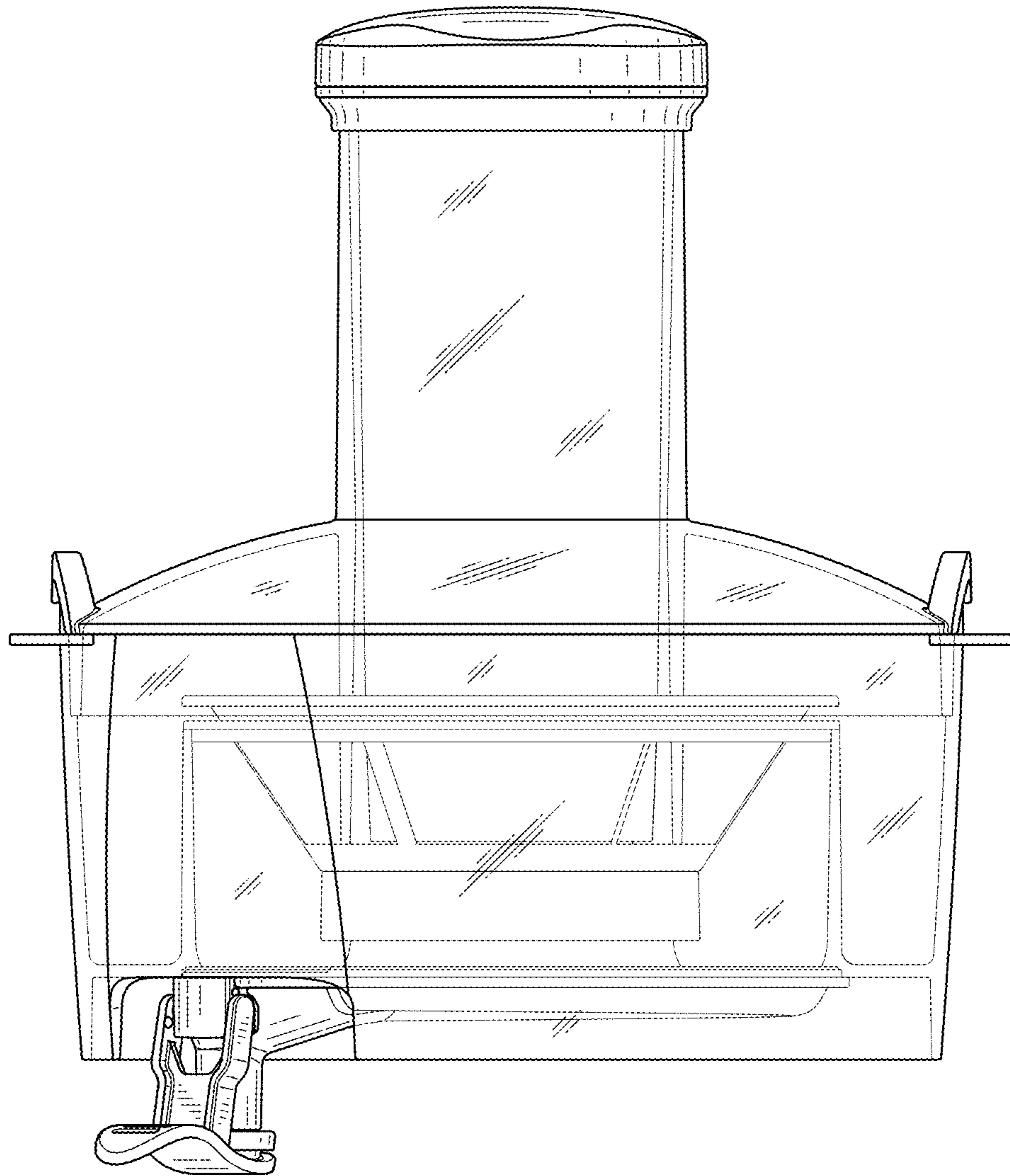
*FIG. 16*



*FIG. 17*

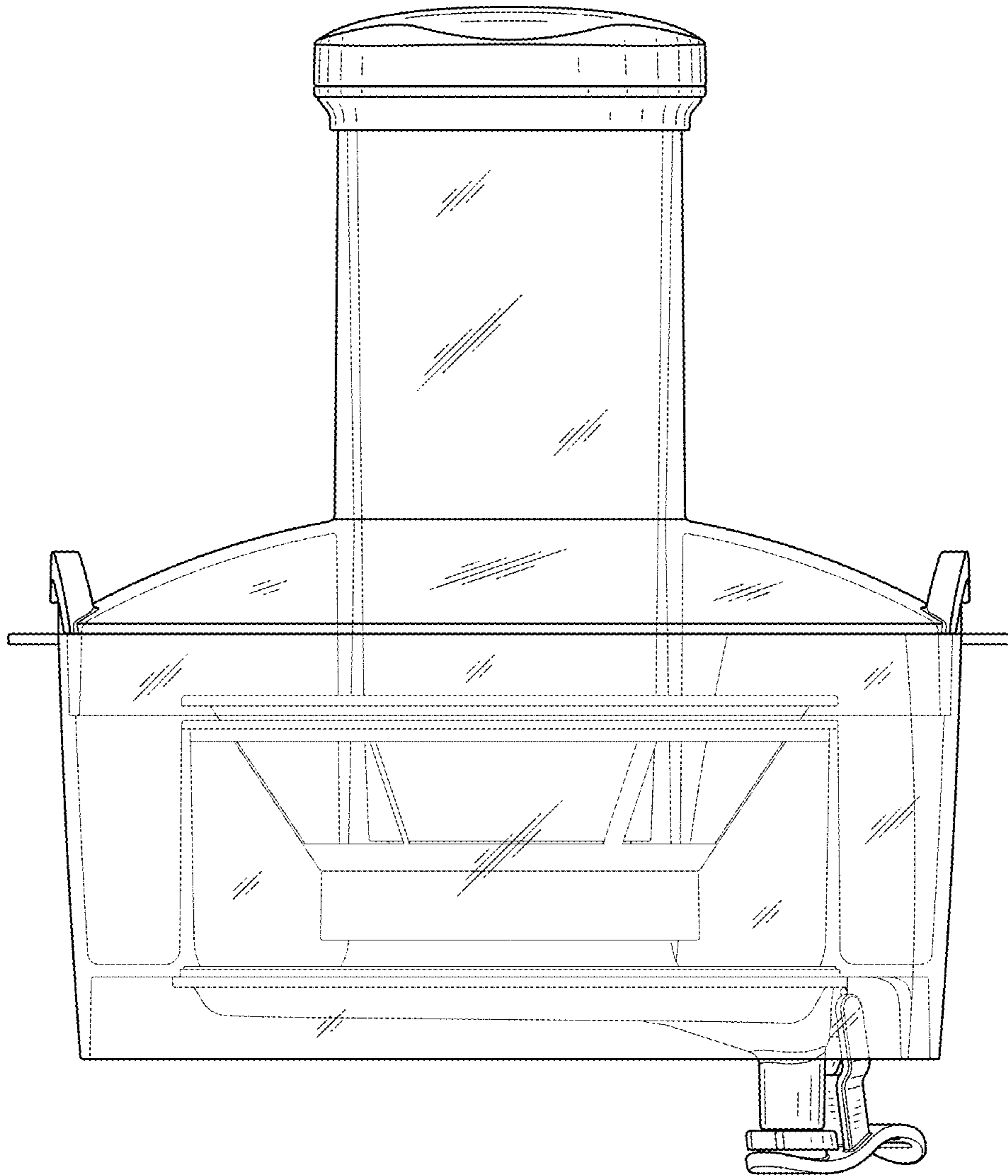


*FIG. 18*

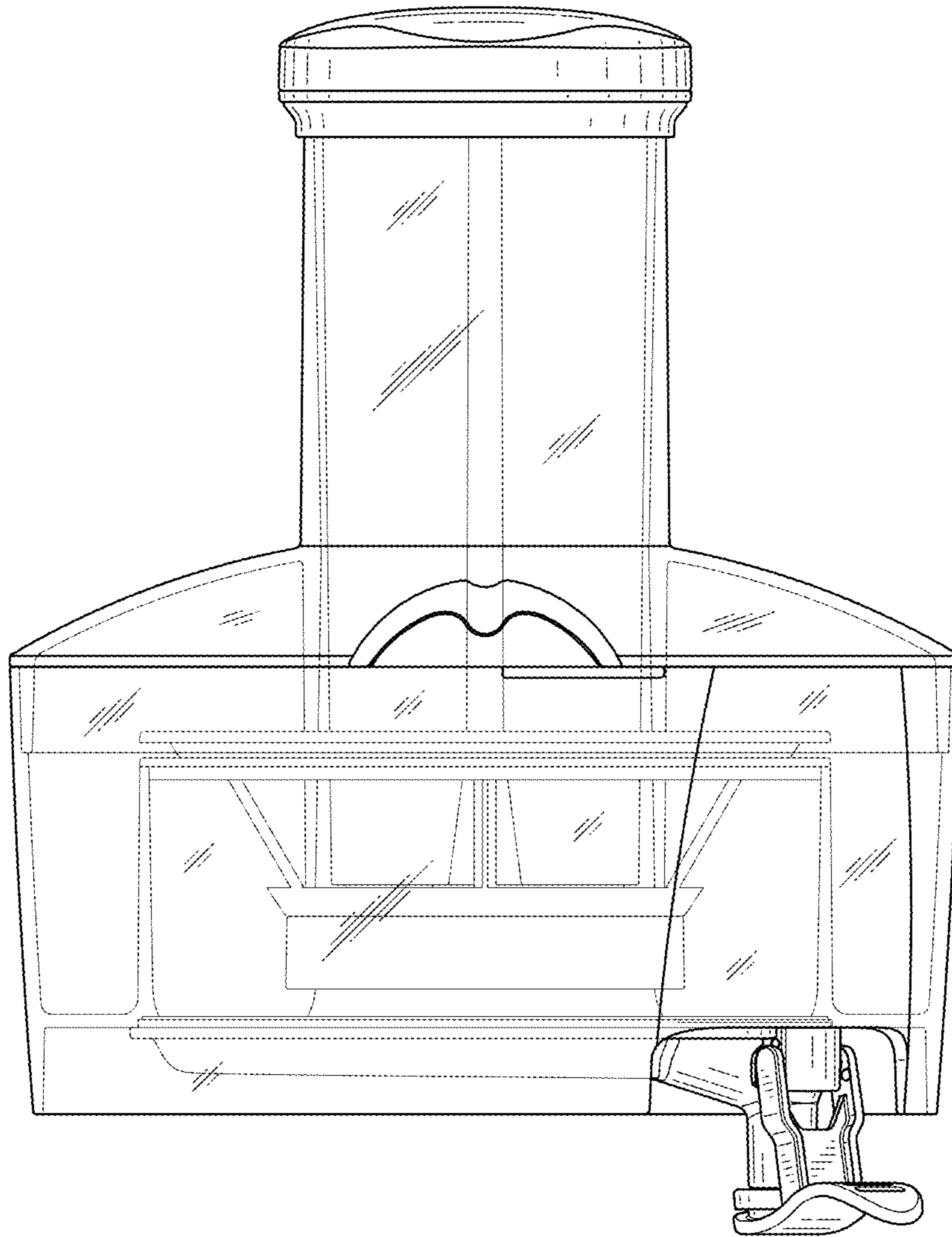


*FIG. 19*

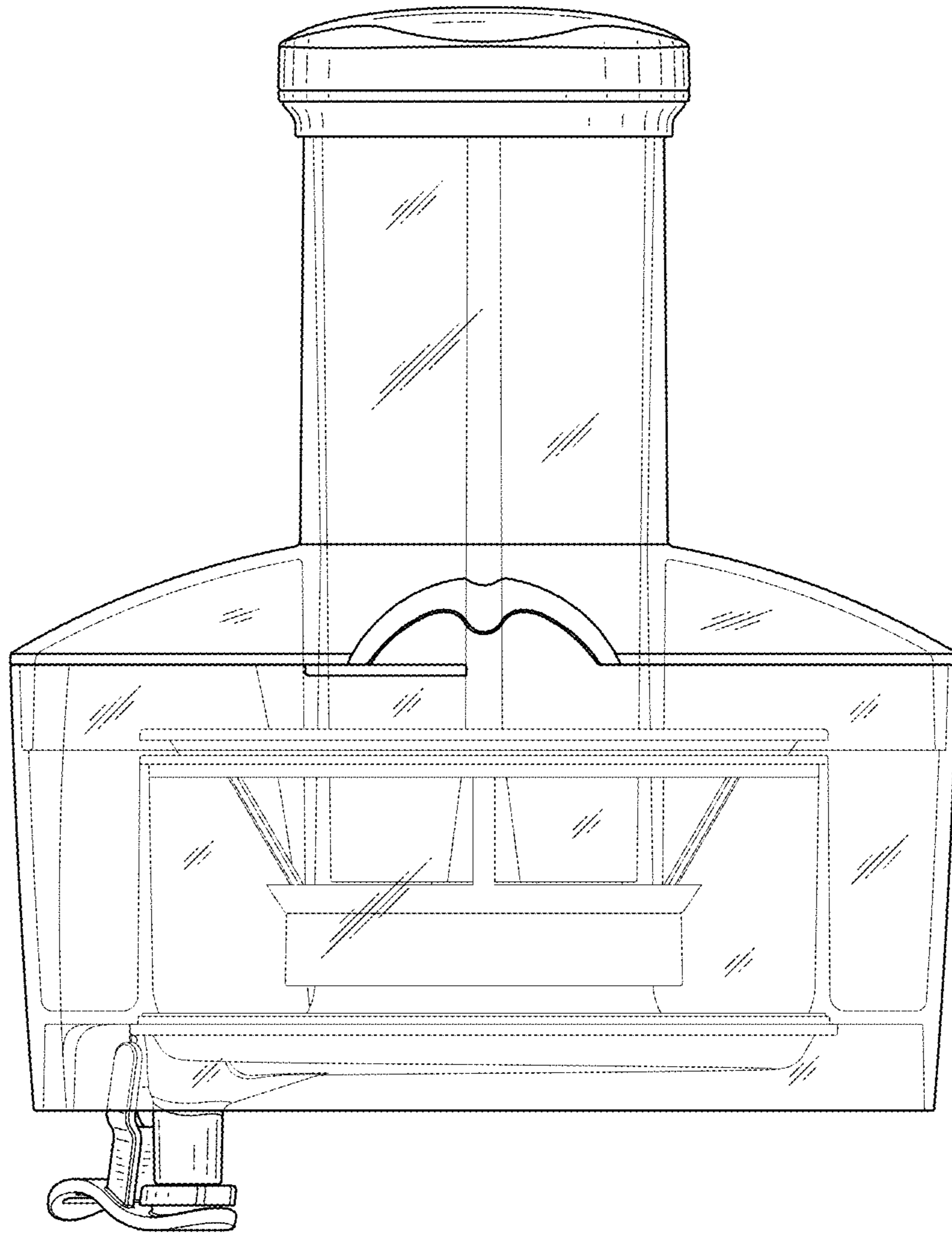




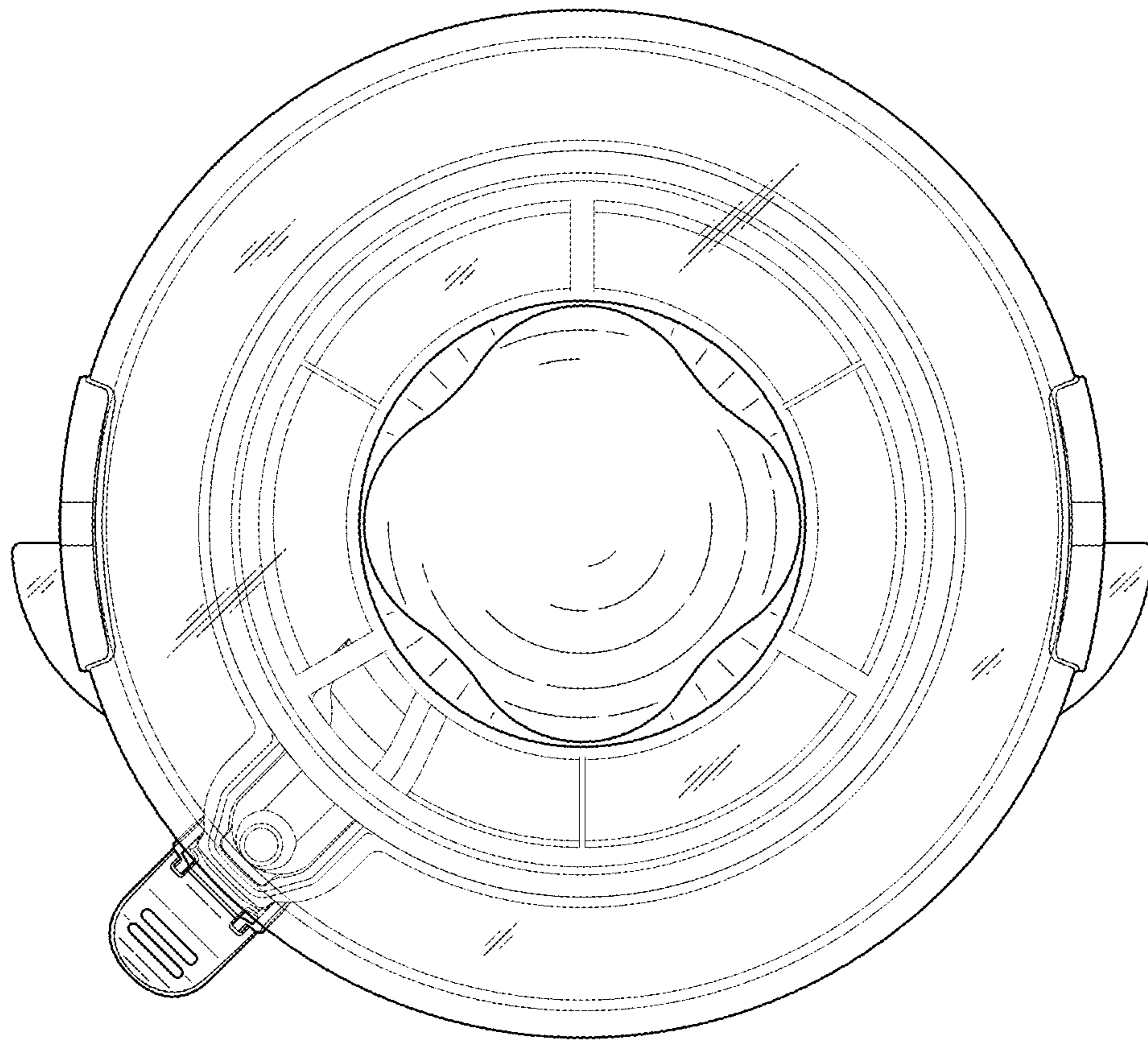
*FIG. 20*



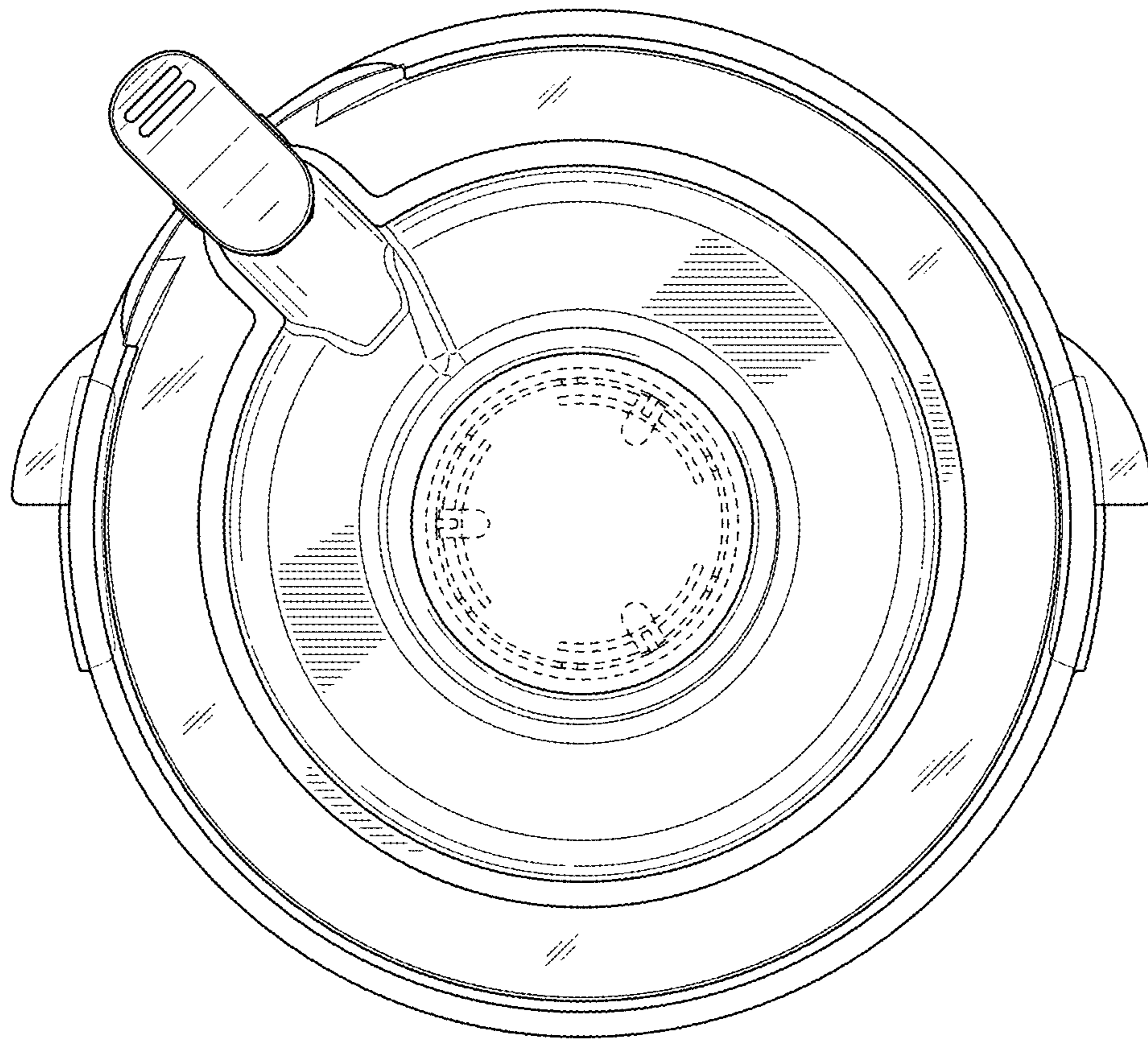
*FIG. 21*



*FIG. 22*



*FIG. 23*



*FIG. 24*