



US0D1027575S

(12) **United States Design Patent**
Morabito et al.

(10) **Patent No.: US D1,027,575 S**

(45) **Date of Patent: ** May 21, 2024**

(54) **BLENDER**

(71) Applicant: **Breville Pty Limited**, Alexandria (AU)

(72) Inventors: **Joshua Morabito**, Alexandria (AU);
Mark Thomas, Alexandria (AU);
David Davenport, Alexandria (AU);
Richard Hoare, Alexandria (AU)

(73) Assignee: **Breville Pty Limited**, Alexandria (AU)

(**) Term: **15 Years**

(21) Appl. No.: **29/716,837**

(22) Filed: **Dec. 12, 2019**

(30) **Foreign Application Priority Data**

Aug. 6, 2019 (AU) 201914389

(51) **LOC (14) Cl.** **07-04**

(52) **U.S. Cl.**
USPC **D7/665**

(58) **Field of Classification Search**
USPC D7/300, 306, 310, 312, 368, 372-374,
D7/386, 665

CPC .. A23N 1/00; A23N 1/003; A47J 19/02; A47J
19/023

See application file for complete search history.

(56) **References Cited**

U.S. PATENT DOCUMENTS

D153,645 S *	5/1949	Stiles	D7/665
D386,648 S *	11/1997	Kibbe	D7/381
D471,408 S *	3/2003	Fouquet	D7/665
D489,949 S *	5/2004	Chung	D7/665
D501,370 S *	2/2005	Hensel	D7/665
D506,108 S *	6/2005	Cohen	D7/665
D513,943 S *	1/2006	Hsu	D7/665
D522,321 S *	6/2006	Hsu	D7/665
D526,540 S *	8/2006	Cohen	D7/665

D538,115 S *	3/2007	Lin	D7/665
D538,116 S *	3/2007	Siu	D7/665
D540,127 S *	4/2007	Ye	D7/665
D566,486 S *	4/2008	Wu	D7/665
7,481,155 B2 *	1/2009	Larsen	A47J 19/027 241/37.5

(Continued)

OTHER PUBLICATIONS

Breville website, The Juice Fountain Plus, Earliest date on the Wayback Machine Oct. 17, 2021, [site visited Sep. 9, 2023], Available on the Internet URL <http://web.archive.org/web/20211017023547/https://www.breville.com/us/en/products/juicers/bje98.html> (Year: 2021).*

(Continued)

Primary Examiner — S. Bryan Reinholdt, Jr.

(74) *Attorney, Agent, or Firm* — MOSER TABOADA

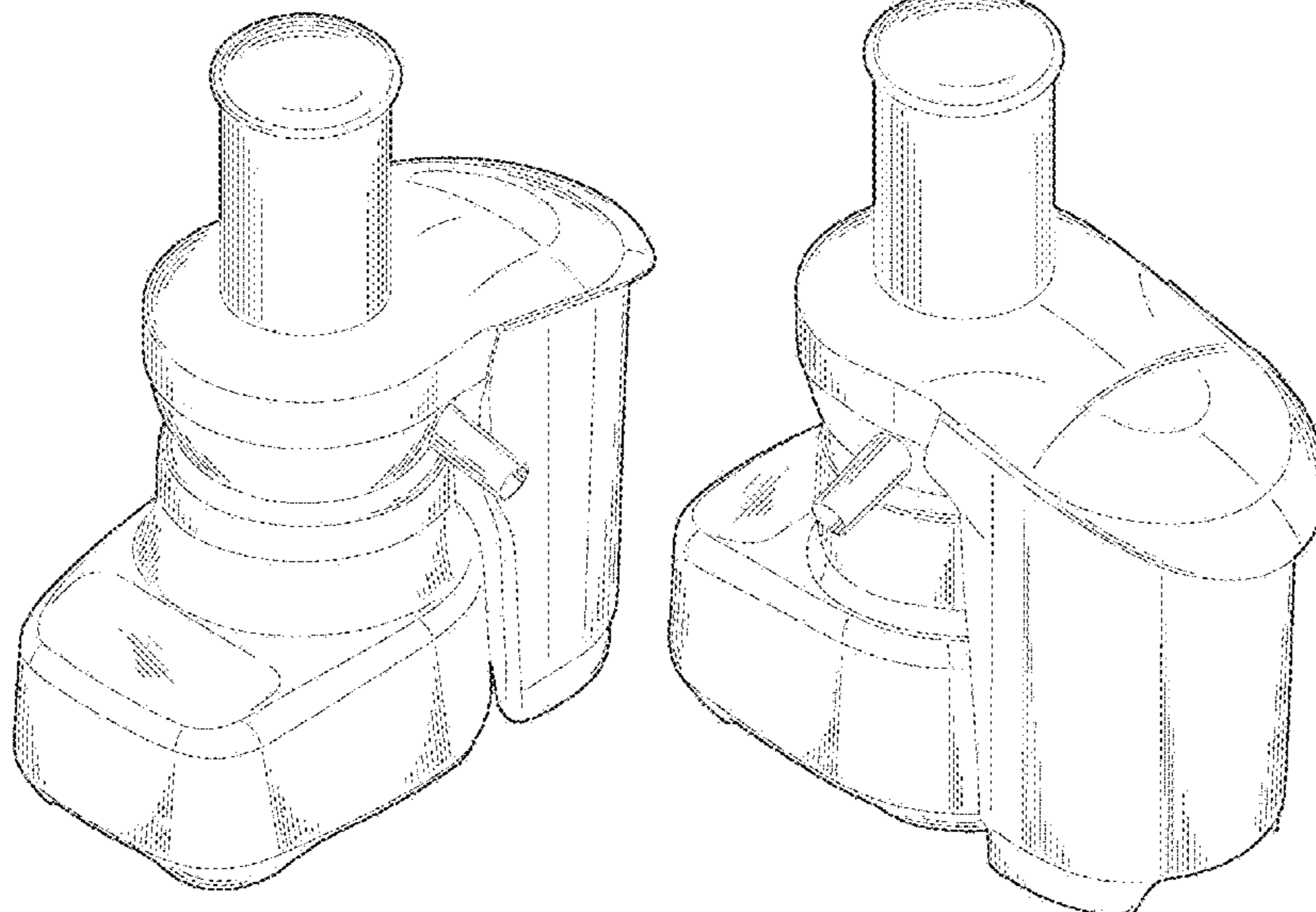
(57) **CLAIM**

The ornamental design for a blender, as shown and described.

DESCRIPTION

FIG. 1 is a front perspective view of a blender;
FIG. 2 is a rear perspective view of the design shown in FIG. 1;
FIG. 3 is a front elevation view of the design shown in FIG. 1;
FIG. 4 is a right side view of the design shown in FIG. 1;
FIG. 5 is a rear elevation view of the design shown in FIG. 1;
FIG. 6 is a left side view of the design shown in FIG. 1;
FIG. 7 is a top plan view of the design shown in FIG. 1; and,
FIG. 8 is a bottom plan view of the design shown in FIG. 1.
The broken line and the area within it in FIG. 8 depict portions of the blender that form no part of the claimed design.

1 Claim, 8 Drawing Sheets



(56)

References Cited

U.S. PATENT DOCUMENTS

D588,864	S *	3/2009	Sands	D7/378
D594,717	S *	6/2009	Wu Chang	D7/665
D597,366	S *	8/2009	Drake	D7/311
D666,880	S *	9/2012	Ferraby	D7/665
D676,287	S *	2/2013	Ferraby	D7/665
D710,659	S *	8/2014	Marquez	D7/665
D740,080	S *	10/2015	Shao	D7/665
2003/0052206	A1 *	3/2003	Fouquet	A47J 19/027 99/511
2006/0075907	A1 *	4/2006	Hsu	A47J 43/0716 99/511
2006/0086261	A1 *	4/2006	Cohen	A47J 19/027 99/511
2010/0300307	A1 *	12/2010	Huang	A47J 19/027 99/511
2011/0154997	A1 *	6/2011	Huang	A47J 19/00 99/508
2015/0335059	A1 *	11/2015	Palmer	A23B 4/005 99/353

OTHER PUBLICATIONS

Target website, Breville Brushed Stainless Steel Electric Juicer, Publication date unknown, [site visited Sep. 9, 2023], Available on the Internet URL www.target.com/p/breville-brushed-stainless-steel-electric-juicer-je98x1/-/A-89090374 (Year: 2023).*

* cited by examiner

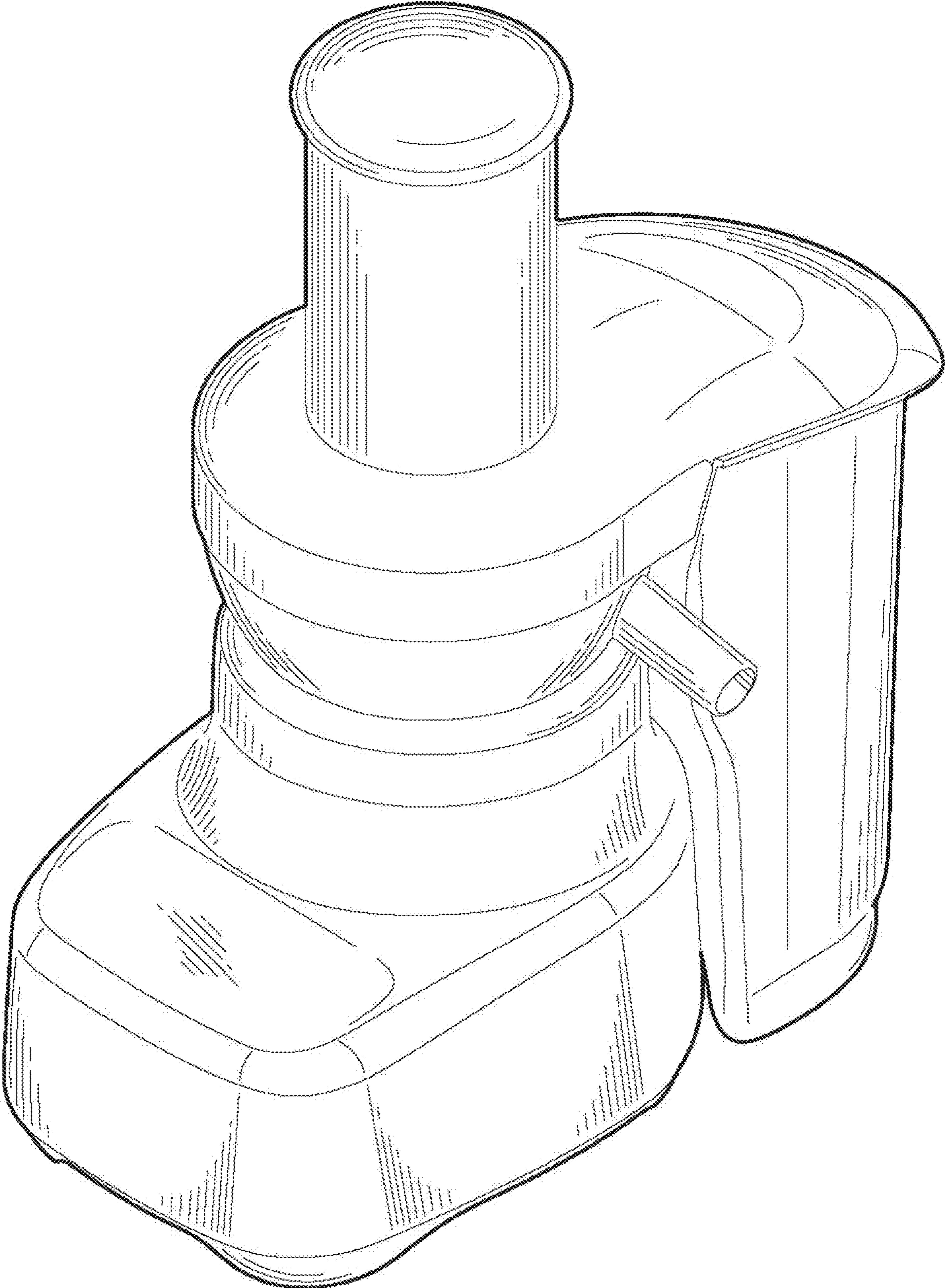


FIG. 1

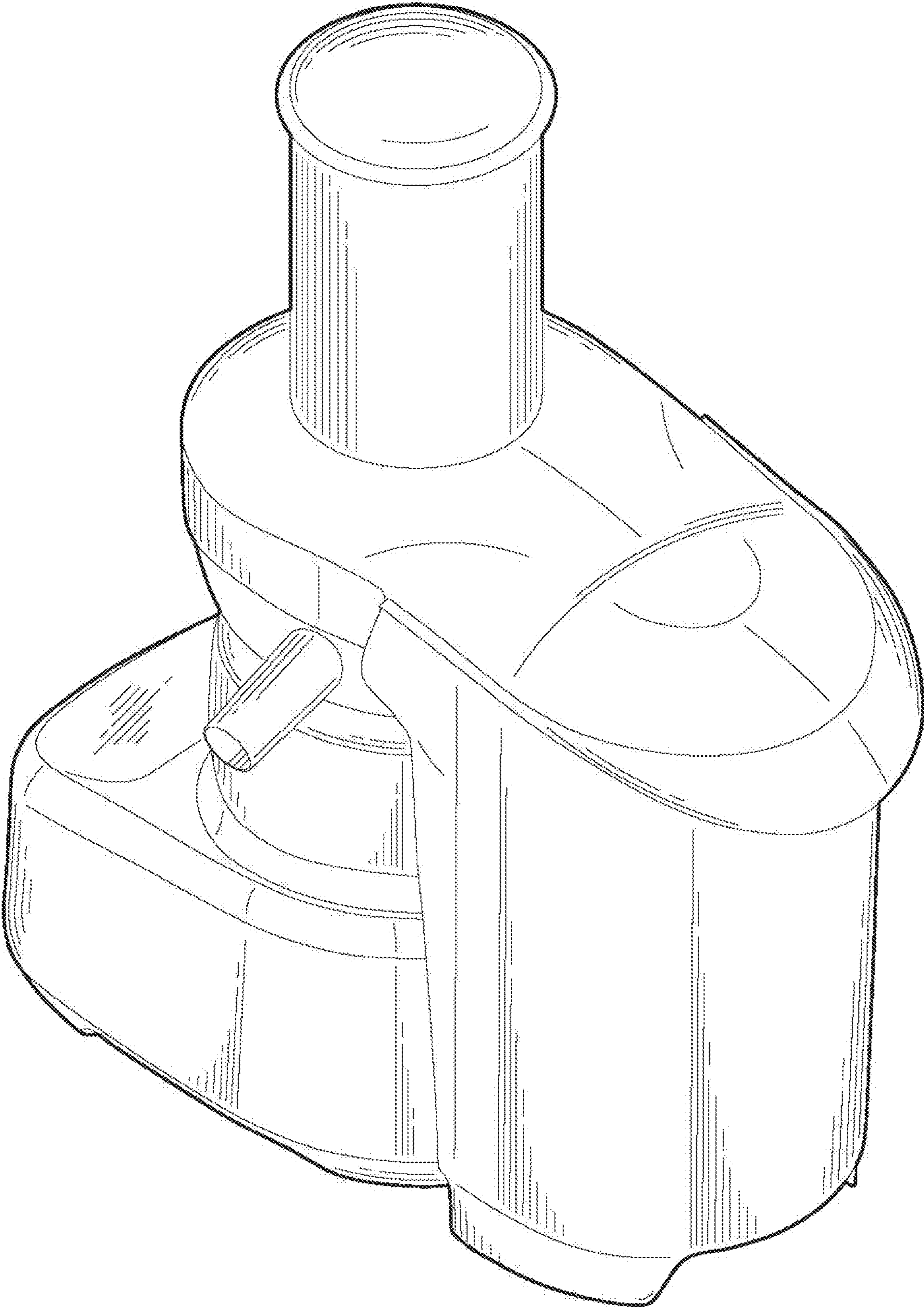


FIG. 2

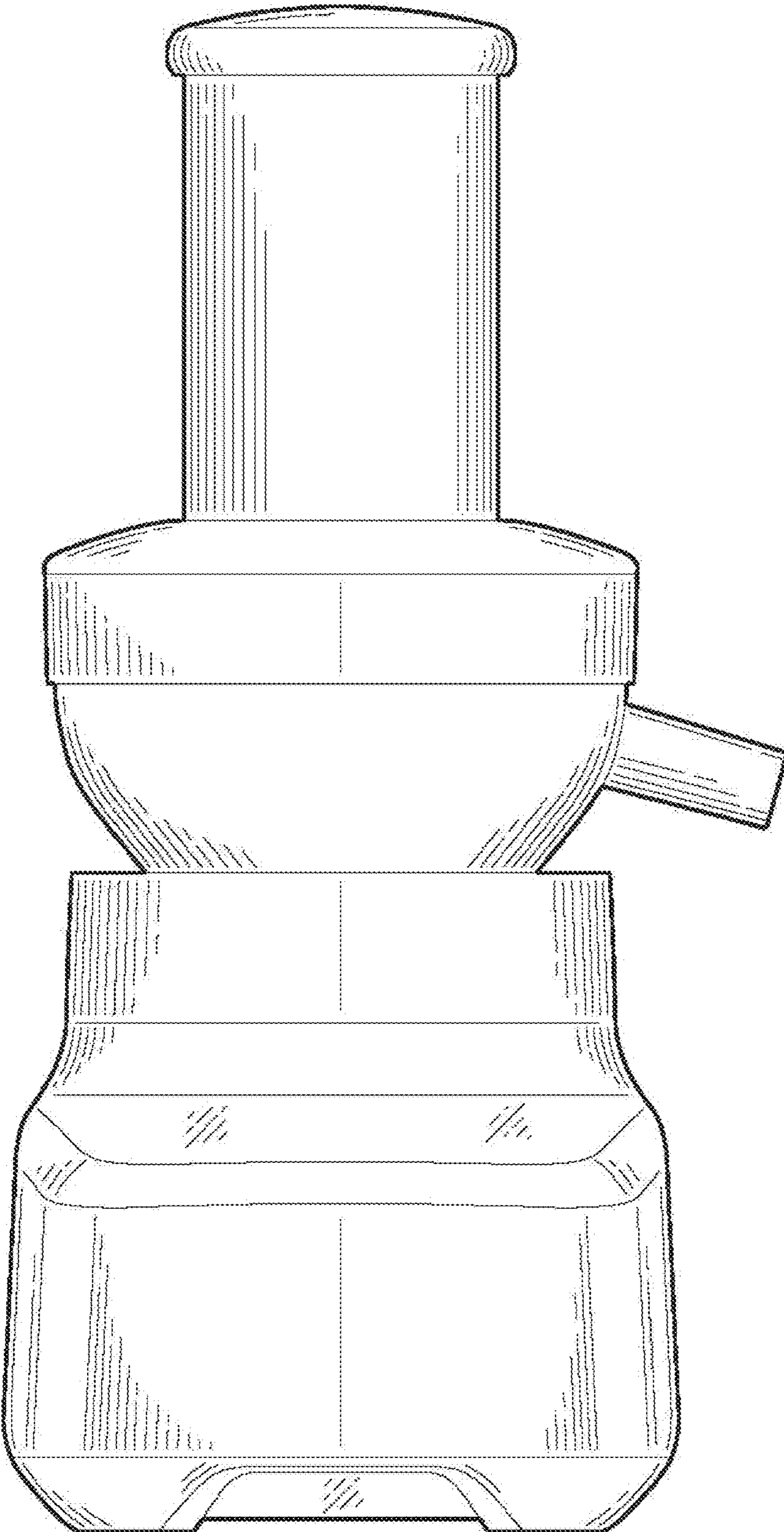


FIG. 3

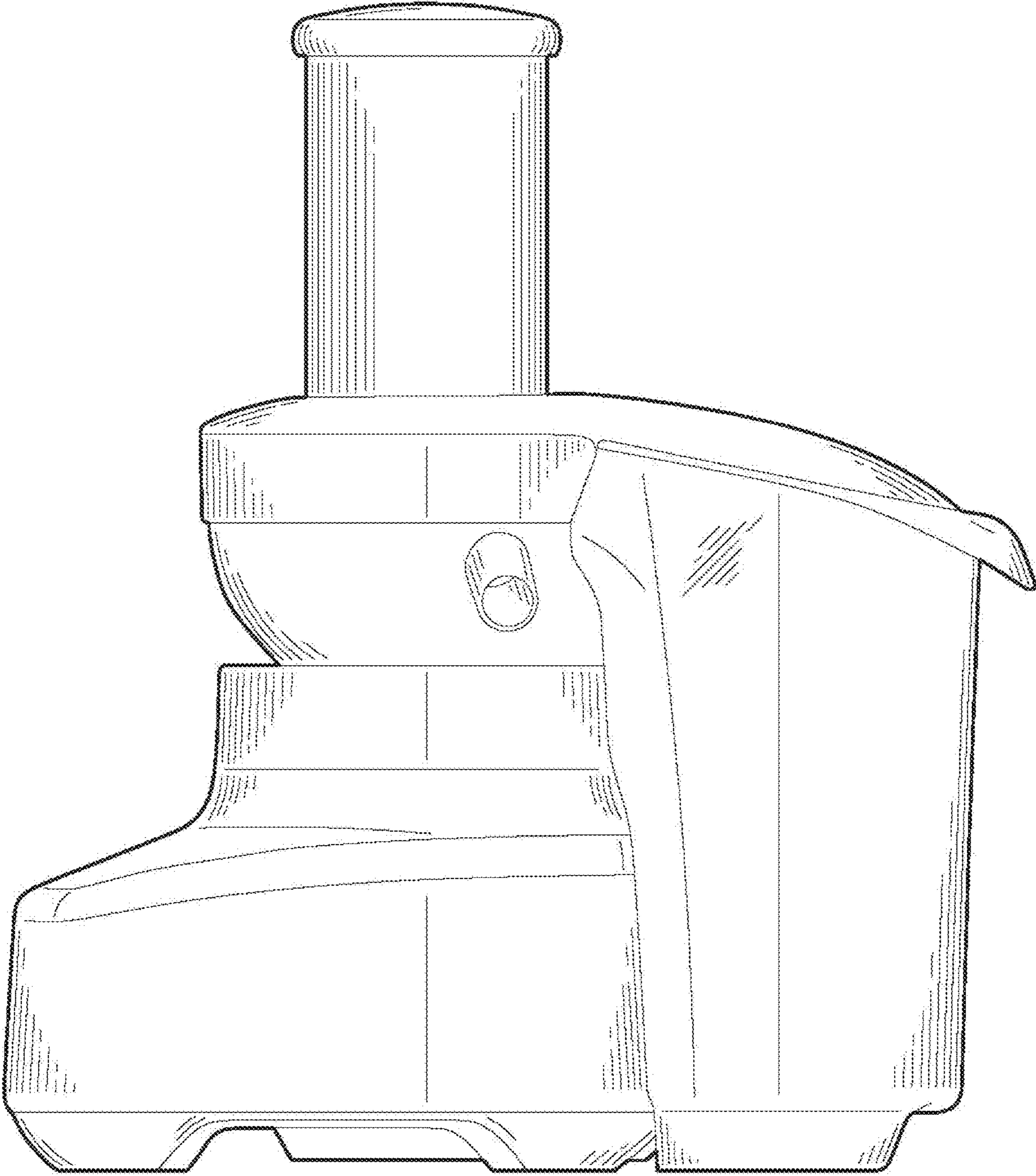


FIG. 4

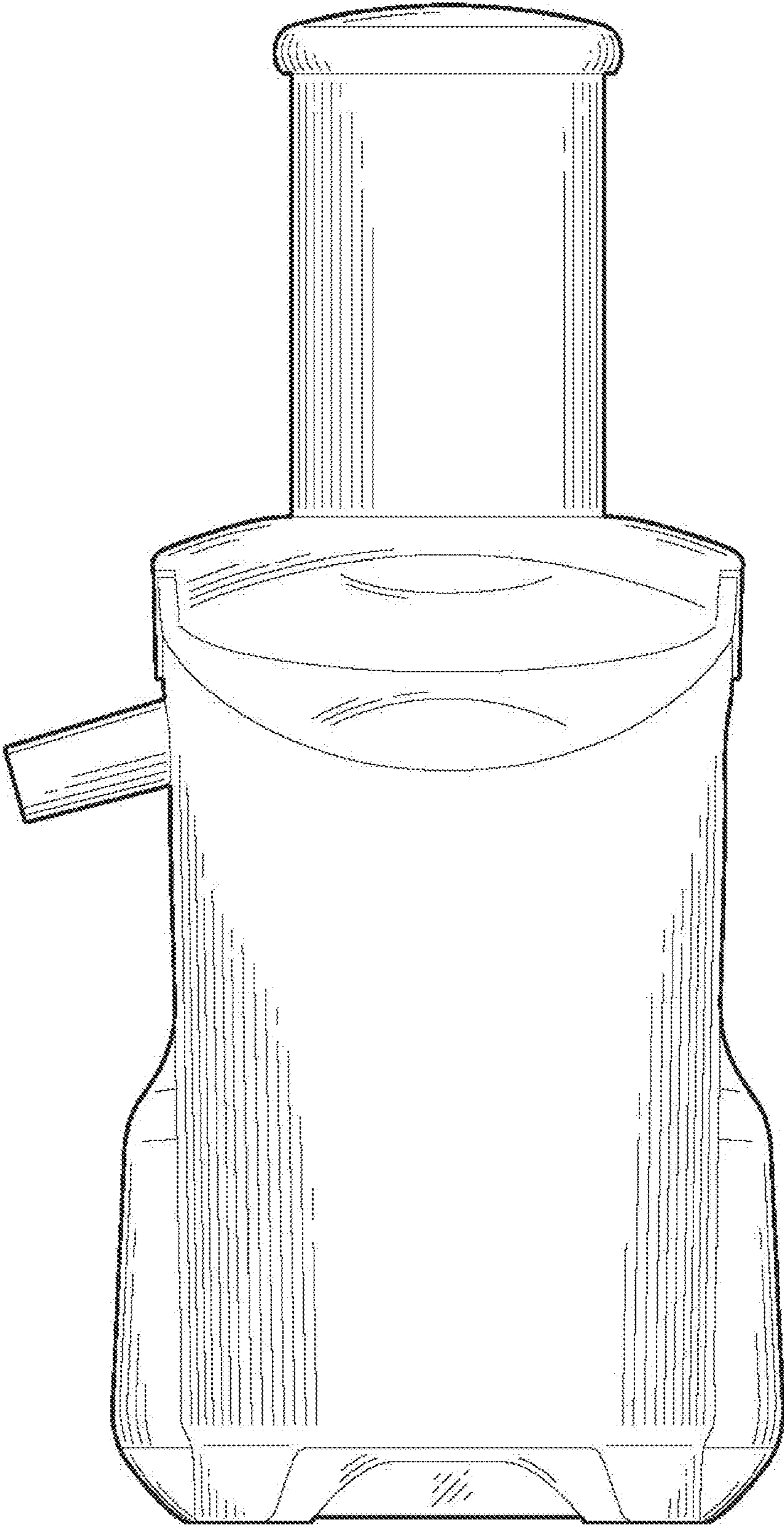


FIG. 5

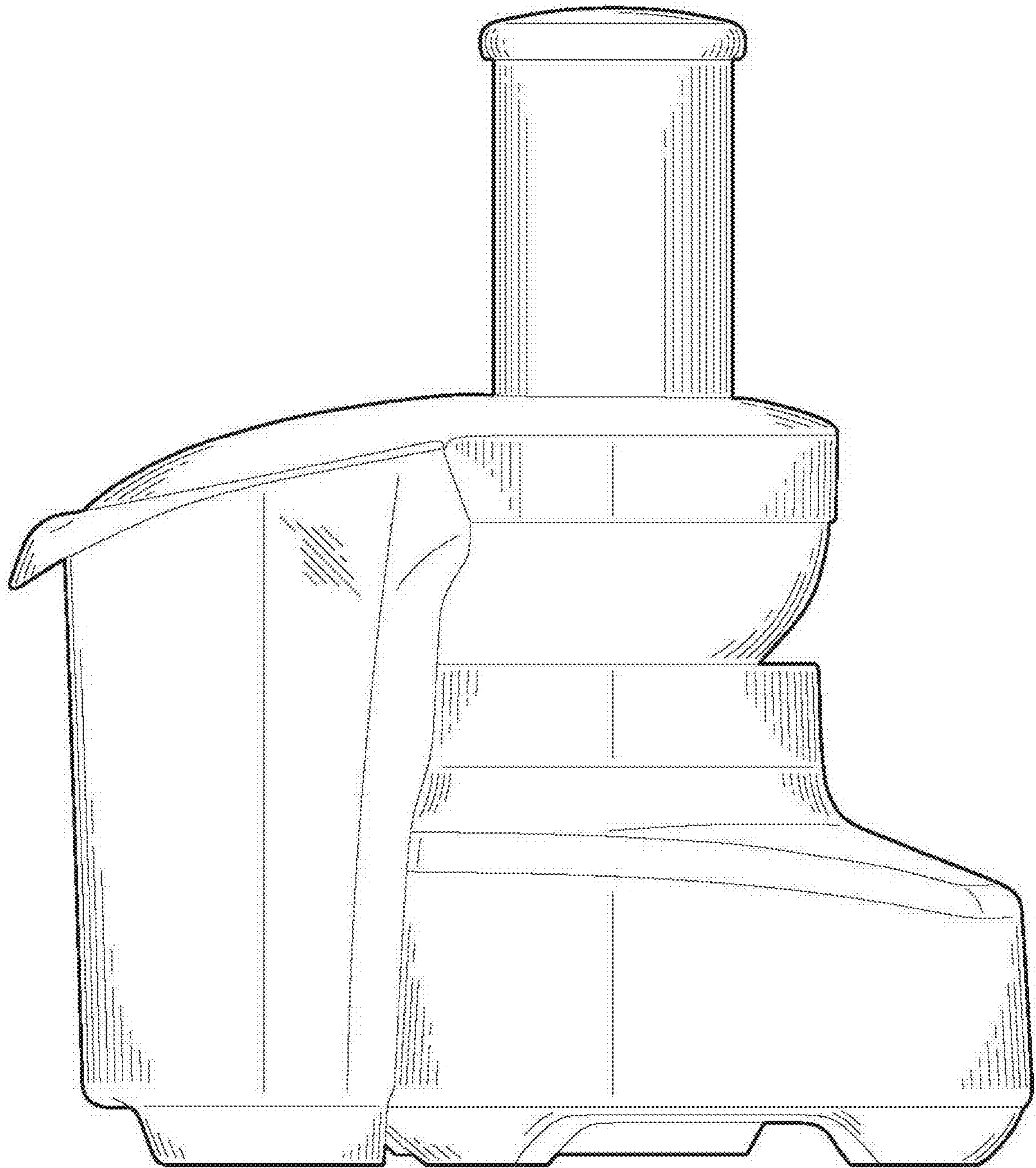


FIG. 6

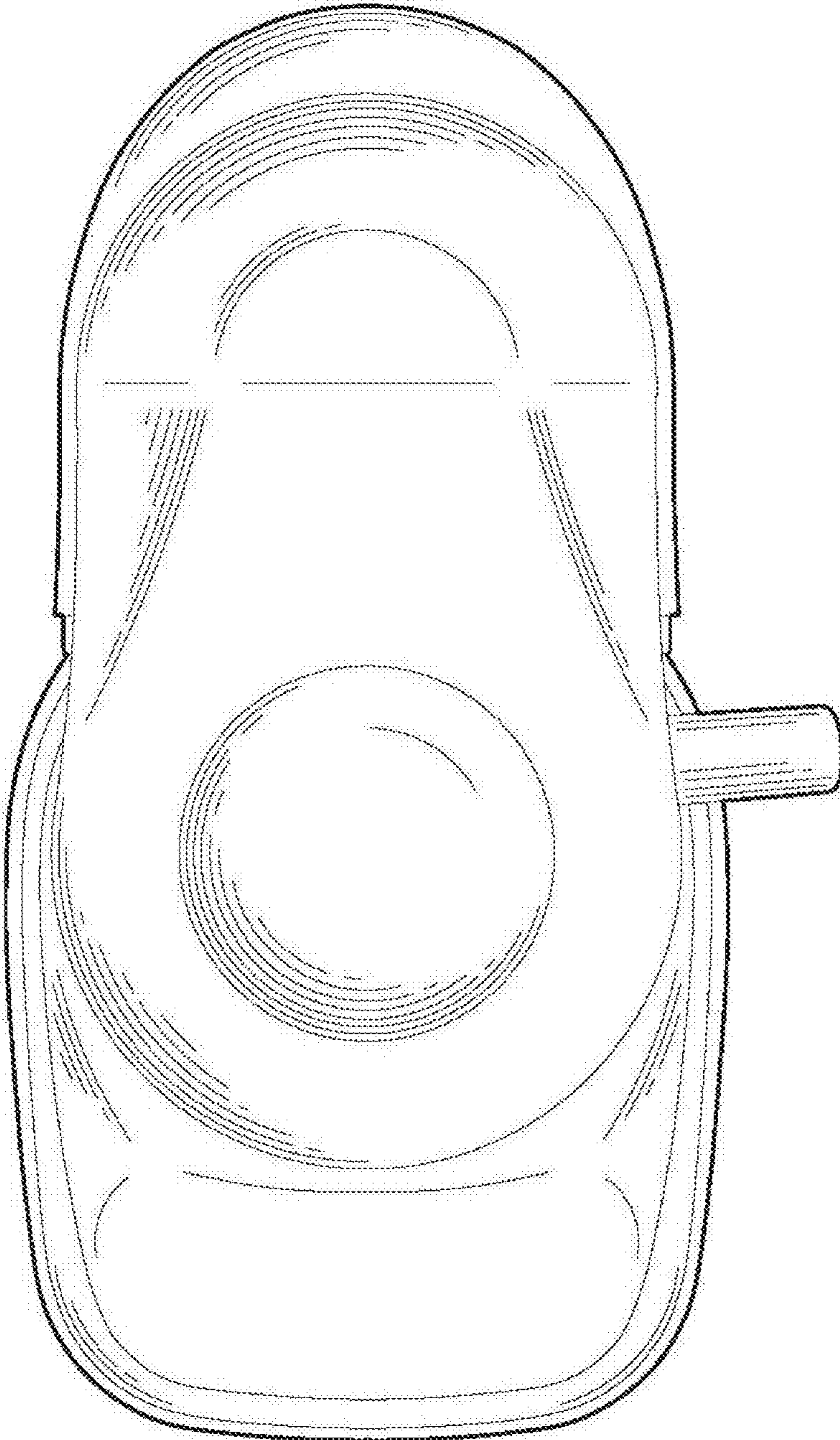


FIG. 7

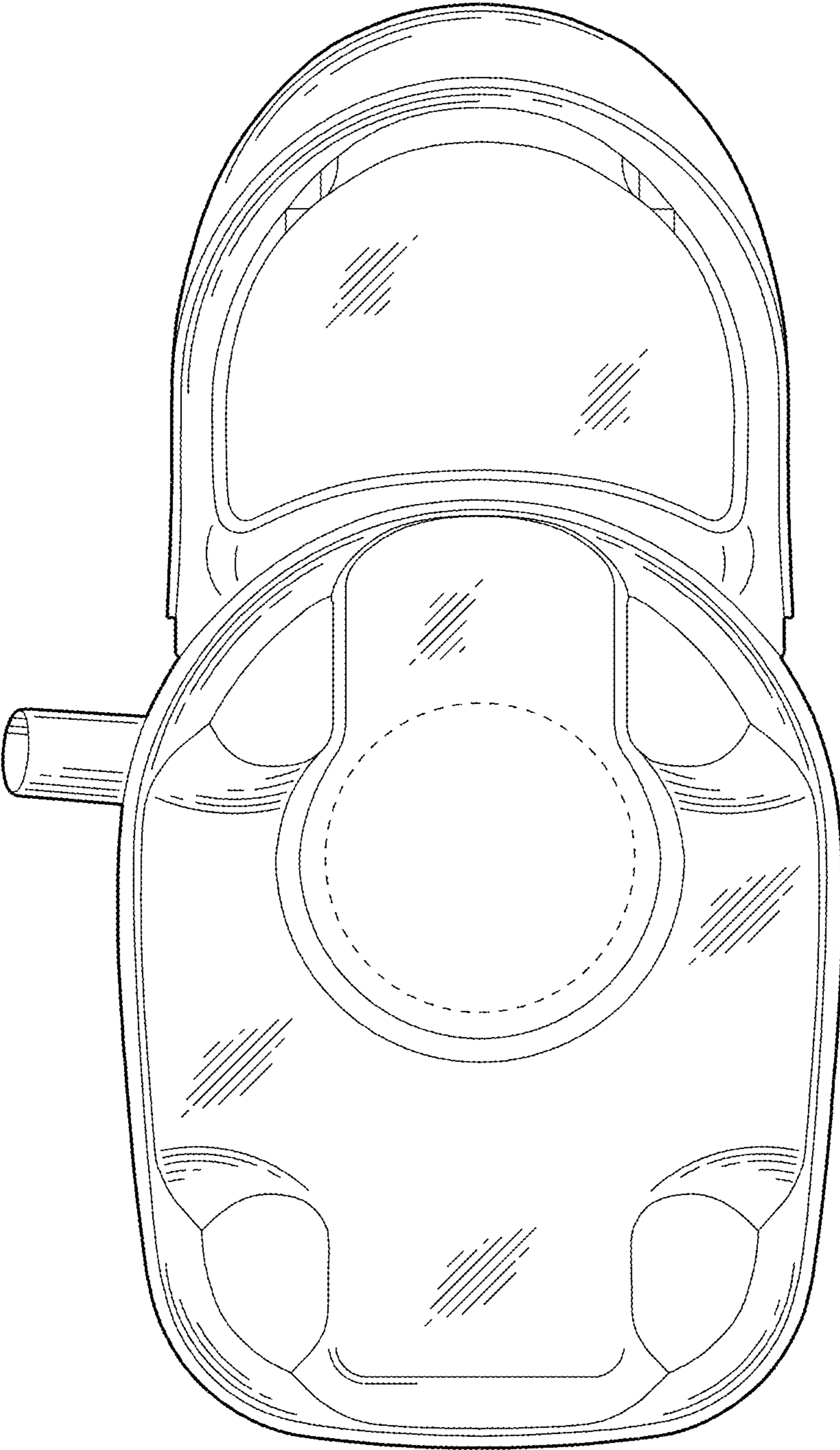


FIG. 8