



US0D1027545S

(12) **United States Design Patent** (10) **Patent No.:** **US D1,027,545 S**
Yoder et al. (45) **Date of Patent:** **** May 21, 2024**

(54) **RECTANGULAR RESTING SURFACE AND RTDS FOR AN INDUCTION WARMER**
(71) Applicant: **COOKTEK INDUCTION SYSTEMS LLC**, Carrollton, TX (US)
(72) Inventors: **Steven L. Yoder**, Coppel, TX (US); **Gabrielle Davis**, Denton, TX (US); **Mingwei Shan**, Frisco, TX (US)
(73) Assignee: **COOKTEK INDUCTION SYSTEMS LLC**, Carrollton, TX (US)
(**) Term: **15 Years**

(21) Appl. No.: **29/883,129**

(22) Filed: **Jan. 24, 2023**

Related U.S. Application Data

(62) Division of application No. 29/737,856, filed on Jun. 12, 2020, now Pat. No. Des. 978,604.

(51) **LOC (14) Cl.** **07-02**

(52) **U.S. Cl.**
USPC **D7/367**

(58) **Field of Classification Search**
USPC D7/323, 337, 339, 341, 346, 352, D7/354-355, 362-367, 402, 407, 409-411
CPC A21B 1/06; A21B 1/50; A21B 1/52; A47J 37/04; A47J 37/06; A47J 37/015; A47J 37/067; A47J 37/0611; A47J 37/0629; A47J 37/0676; A47J 36/2483; A47J 39/02; C03C 17/38; F24C 7/06; F24C 7/083; F24C 15/02; F24C 15/12; F24C 15/166; H05B 3/20; H05B 3/26; H05B 3/40; H05B 3/74; H05B 6/1209; H05B 6/1254; H02J 50/12
See application file for complete search history.

(56) **References Cited**

U.S. PATENT DOCUMENTS

2,997,199 A 8/1961 Ramon
5,261,387 A * 11/1993 Gressenich H05B 3/74
126/39 R
5,638,806 A 6/1997 Foust
6,196,115 B1 3/2001 Tsao

(Continued)

OTHER PUBLICATIONS

Dominion Countertop Dual Flat Burner, Electric Hot Burner. Date First Available on Amazon.com May 4, 2022. <https://www.amazon.com/dp/B09ZJ8T61P/ref> (Year: 2022).*

(Continued)

Primary Examiner — Ricky Pham

(74) *Attorney, Agent, or Firm* — Barnes & Thornburg LLP

(57) **CLAIM**

We claim the ornamental design for an rectangular resting surface and RTDs for an induction warmer, as shown and described.

DESCRIPTION

FIG. 1 is a top front perspective view of a rectangular resting surface and RTDs for an induction warmer, depicting only the resting surface and RTDs that are supported upon the resting surface

FIG. 2 is a top view thereof;

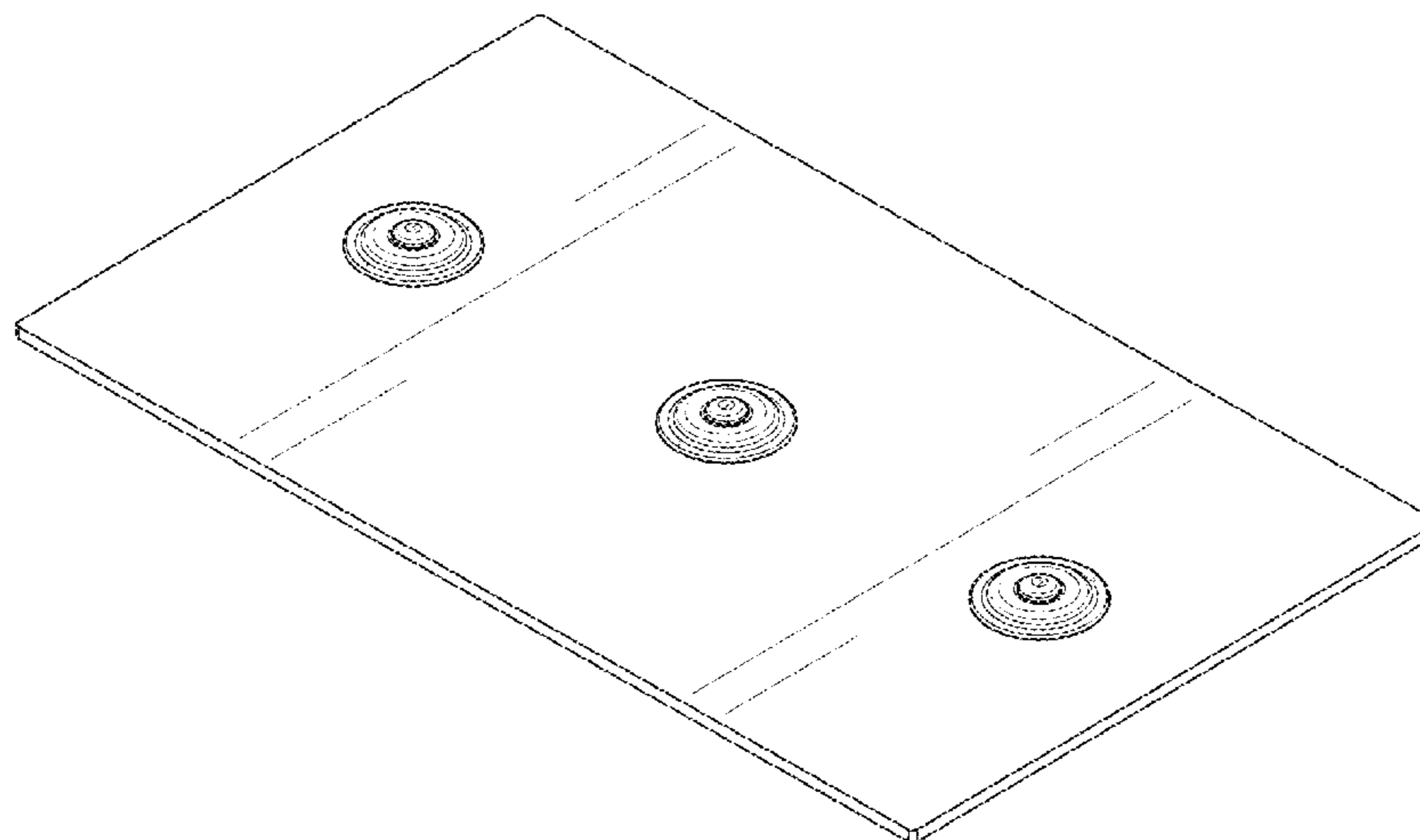
FIG. 3 is a front elevation view thereof, the rear side elevation view of the rectangular resting surface and RTDs for an induction warmer with respect to the claimed subject matter is the same;

FIG. 4 is a left side elevation view thereof, the right side elevation view of the rectangular resting surface and RTDs for an induction warmer with respect to the claimed subject matter is the same; and,

FIG. 5 is a bottom view thereof.

The ornamental design which is claimed is shown in solid lines in the drawings. Any broken or phantom lines in the drawings form no part of the claimed design.

1 Claim, 5 Drawing Sheets



(56)

References Cited

U.S. PATENT DOCUMENTS

6,288,374 B1 * 9/2001 Eskildsen H05B 6/1254
219/622

D501,117 S 1/2005 Bassill

D553,900 S * 10/2007 Grey D7/346

8,803,048 B2 8/2014 Bassill et al.

9,307,862 B2 4/2016 Roever et al.

D817,699 S 5/2018 Lee

D817,700 S * 5/2018 Lee D7/362

10,251,511 B2 4/2019 Roever et al.

10,281,158 B2 * 5/2019 Herrera F24C 15/12

10,426,292 B2 10/2019 Roever et al.

10,598,549 B2 3/2020 Hedlund et al.

10,856,686 B2 12/2020 Kopiness

D911,765 S 3/2021 Jiang

D920,027 S * 5/2021 Harrell D7/346

11,253,100 B2 * 2/2022 Song H05B 3/26

11,399,656 B2 * 8/2022 Roever A47J 36/2483

D978,604 S * 2/2023 Yoder D7/367

2007/0182367 A1 * 8/2007 Partovi H02J 50/12
320/108

2010/0237064 A1 * 9/2010 Liu H05B 6/1209
219/622

2012/0152932 A1 6/2012 Moon

2014/0157998 A1 6/2014 Roever et al.

2014/0339220 A1 * 11/2014 Metz A47J 39/02
219/621

2015/0272385 A1 10/2015 Wang et al.

2016/0213196 A1 7/2016 Roever et al.

2017/0142780 A1 5/2017 Hoare et al.

2017/0188743 A1 * 7/2017 Snyder H05B 6/1209

2017/0311752 A1 11/2017 Roever et al.

2017/0311753 A1 11/2017 Roever et al.

2018/0038737 A1 2/2018 Hedlund et al.

2018/0077761 A1 3/2018 Takahashi

2019/0142205 A1 5/2019 Kopiness et al.

2019/0182908 A1 6/2019 Oh

2019/0216260 A1 7/2019 Roever et al.

2019/0387290 A1 12/2019 Hedlund et al.

OTHER PUBLICATIONS

VBGK Double Induction Cooktop. Date First Available on Amazon.com Jul. 16, 2022. <https://www.amazon.com/dp/B0B6QTS7YH/ref> (Year: 2022).*

CookTek, "Rectangular SinAqua™," Spec Sheet (May 2016).

CookTek, "Induction Holding Well," Owner's Manual—Models IDW650S, IDW650L (Jan. 2017).

CookTek, "SinAqua™ Induction Holding Well," Owner's Manual—Models IHW061-22, IHW061-24, IHW061-34, etc. (Jan. 2017).

Extended European Search Report issued in Appl. No. EP21178646.2 (Nov. 12, 2021).

Vollrath, "Drop-In Induction Rethermalizer," Date First Available on Amazon.com Jul. 24, 2014. [https://www.amazon.com/Nollrath-741101 D-11 qt-Induction-Rethermalizer/dp/B00L63B798/ref](https://www.amazon.com/Nollrath-741101-D-11-qt-Induction-Rethermalizer/dp/B00L63B798/ref) (Year: 2014).

* cited by examiner

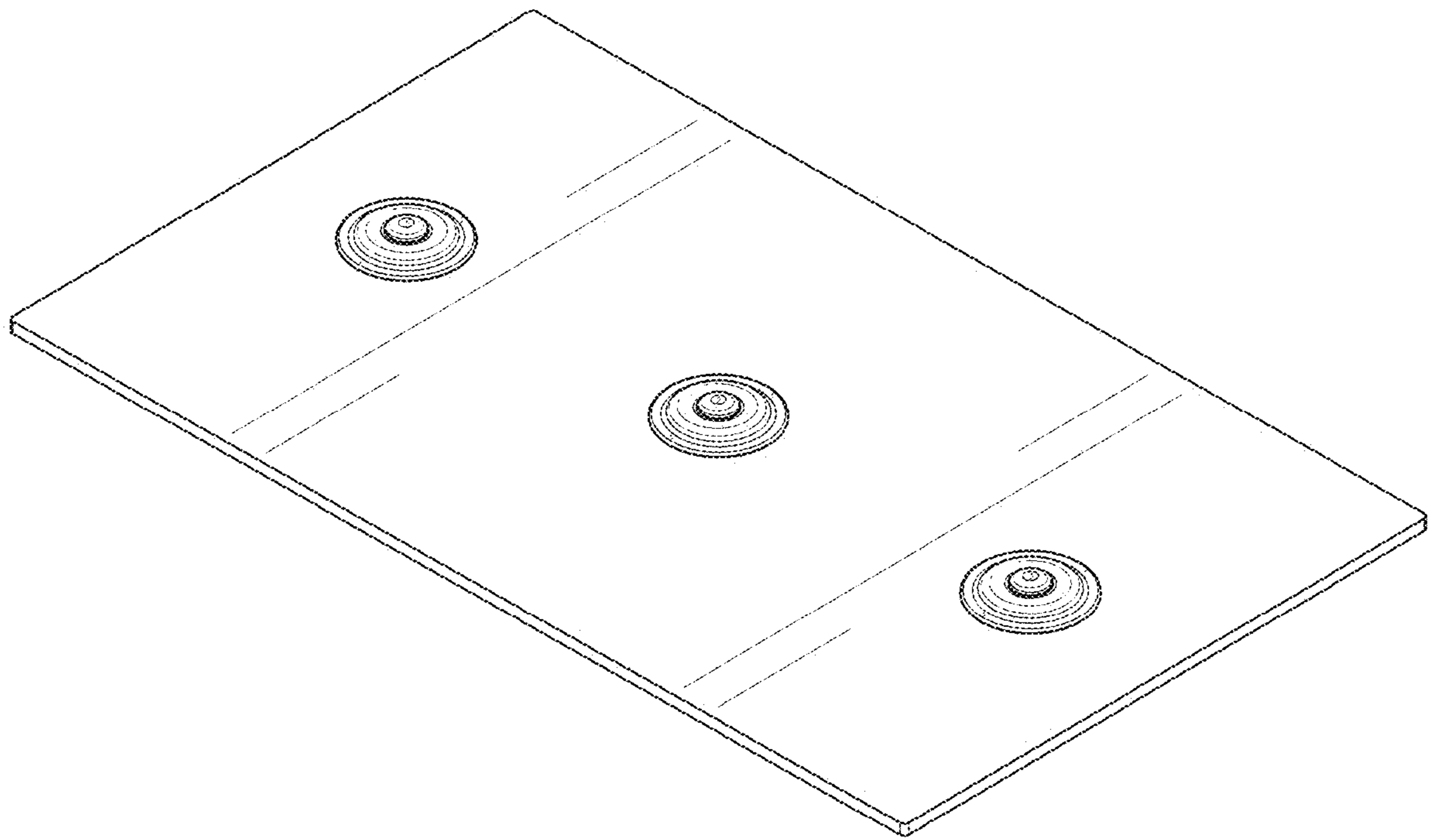


FIG. 1

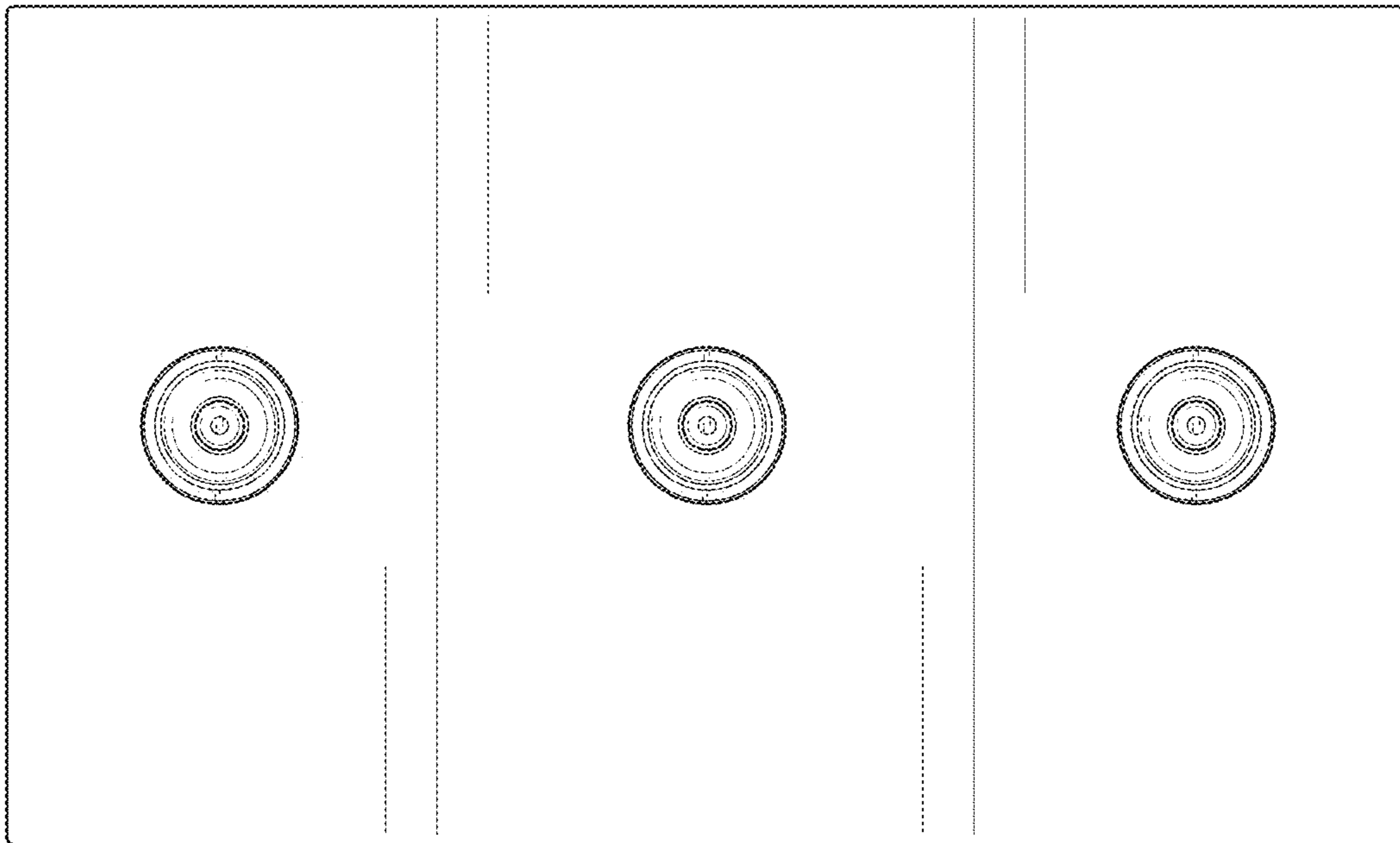


FIG. 2



FIG. 3



FIG. 4

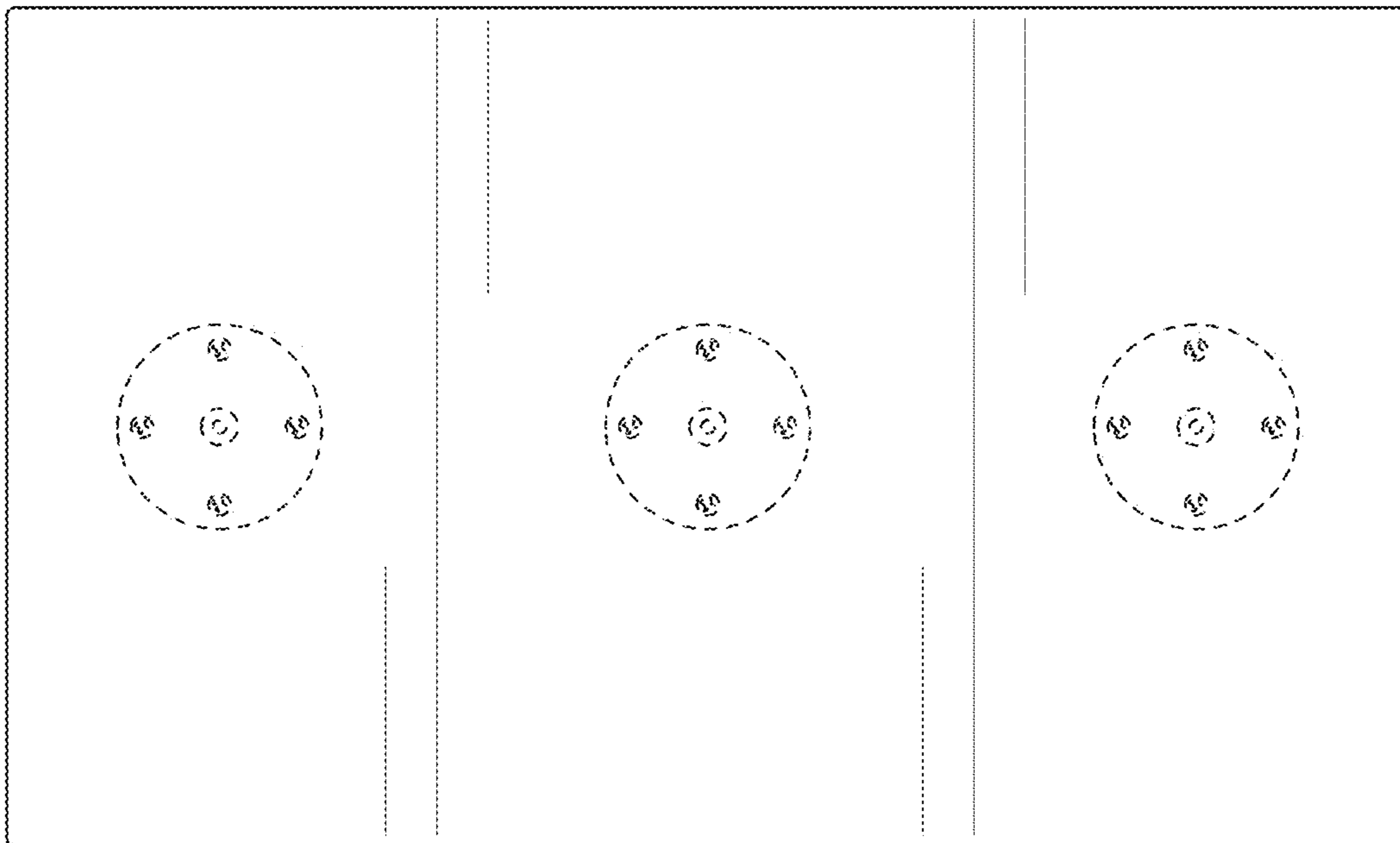


FIG. 5