



US0D1027481S

(12) **United States Design Patent** (10) **Patent No.:** **US D1,027,481 S**
Gao (45) **Date of Patent:** **** May 21, 2024**

(54) **BABY BASSINET**

(71) Applicant: **Kai Gao**, Qingdao (CN)

(72) Inventor: **Kai Gao**, Qingdao (CN)

(**) Term: **15 Years**

(21) Appl. No.: **29/912,332**

(22) Filed: **Sep. 18, 2023**

(51) **LOC (14) Cl.** **06-02**

(52) **U.S. Cl.**
USPC **D6/390**

(58) **Field of Classification Search**
USPC D6/331, 382, 383, 390, 391, 392
CPC A47D 7/00; A47D 7/002; A47D 7/005;
A47D 7/01; A47D 7/02; A47D 9/00;
A47D 9/005; A47D 9/02
See application file for complete search history.

(56) **References Cited**

U.S. PATENT DOCUMENTS

3,146,736	A *	9/1964	Robert	A47D 9/005
					5/98.1
D877,527	S *	3/2020	Gopaul	D6/390
D905,462	S *	12/2020	Jeidel	D6/391
D917,913	S *	5/2021	Zhao	D6/390
D990,911	S *	7/2023	Yi		
D999,886	S *	9/2023	Teng	D23/278
D1,011,066	S *	1/2024	Ou	D6/390
D1,011,067	S *	1/2024	Ou	D6/390
D1,011,068	S *	1/2024	Yang	D6/390
D1,011,069	S *	1/2024	Ou	D6/390
D1,011,070	S *	1/2024	Yang	D6/390
D1,017,269	S *	3/2024	Li	D6/390
2008/0001450	A1 *	1/2008	Yang	A47D 5/00
					297/219.12
2017/0360216	A1 *	12/2017	Sclare	A47D 9/02
2020/0046141	A1 *	2/2020	Mu	A47D 9/016
2023/0337837	A1 *	10/2023	Mo	A47D 9/02

OTHER PUBLICATIONS

“Zebrater Baby Bassinet.” Found online Oct. 1, 2023 at www.amazon.com. Product first available Jul. 16, 2023. Retrieved from URL: https://www.amazon.com/dp/B0BZNS431 (Year: 2023).*
“Meichyun Baby Bassinet Bedside Sleeper.” Found online Oct. 1, 2023 at www.amazon.com. Product first available Feb. 6, 2023. Retrieved from URL: https://www.amazon.com/dp/B0BJDRRR6M (Year: 2023).*

(Continued)

Primary Examiner — Mary Ann Calabrese
Assistant Examiner — Katelin G Kloberg
(74) *Attorney, Agent, or Firm* — Daniel M. Cohn;
Howard M. Cohn

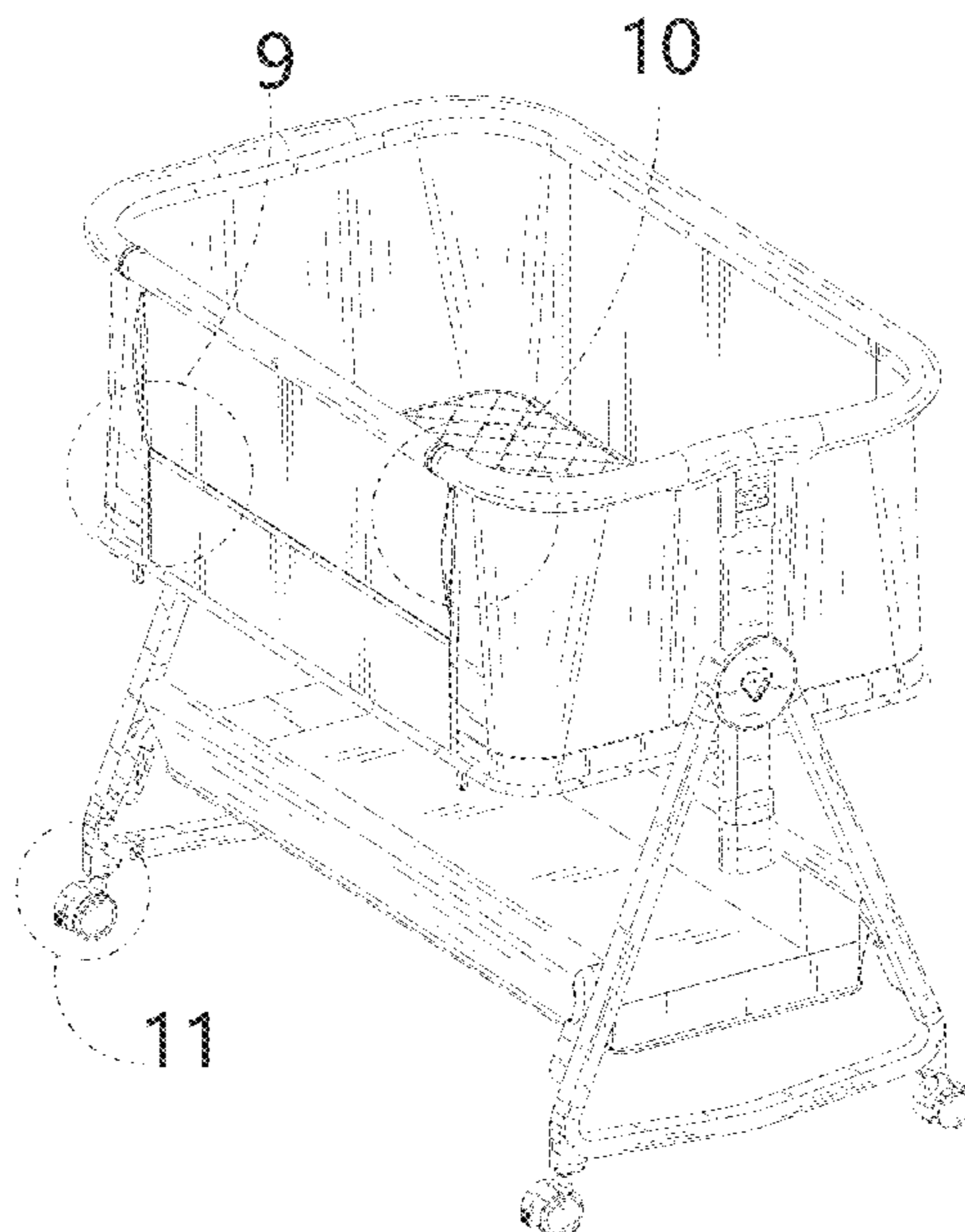
(57) **CLAIM**

The ornamental design for a baby bassinet, as shown and described.

DESCRIPTION

FIG. 1 is a top, front, left side perspective view of a baby bassinet showing my new design;
FIG. 2 is a bottom, back, right side perspective view thereof;
FIG. 3 is a front view thereof;
FIG. 4 is a back view thereof;
FIG. 5 is a left view thereof;
FIG. 6 is a right view thereof;
FIG. 7 is a top plan view thereof;
FIG. 8 is bottom plan view thereof;
FIG. 9 is an enlarged view of detail 9 in FIG. 1;
FIG. 10 is an enlarged view of detail 10 in FIG. 1; and,
FIG. 11 is an enlarged view of detail 11 in FIG. 1.
The broken lines depict portions of the baby bassinet and form no part of the claimed design.

1 Claim, 11 Drawing Sheets



(56)

References Cited

OTHER PUBLICATIONS

“Li’l Pengyu Baby Bassinets.” Found online Oct. 1, 2023 at www.amazon.com. Product first available Sep. 14, 2023. Retrieved from URL: <https://www.amazon.com/dp/B0BF8ZFS9C> (Year: 2023).*

“Uuoeebb 4 in 1 Baby Bassinet.” Found online Oct. 1, 2023 at www.amazon.com. Product first available Mar. 23, 2023. Retrieved from URL: <https://www.amazon.com/dp/B0BZCV31X9> (Year: 2023).*

* cited by examiner

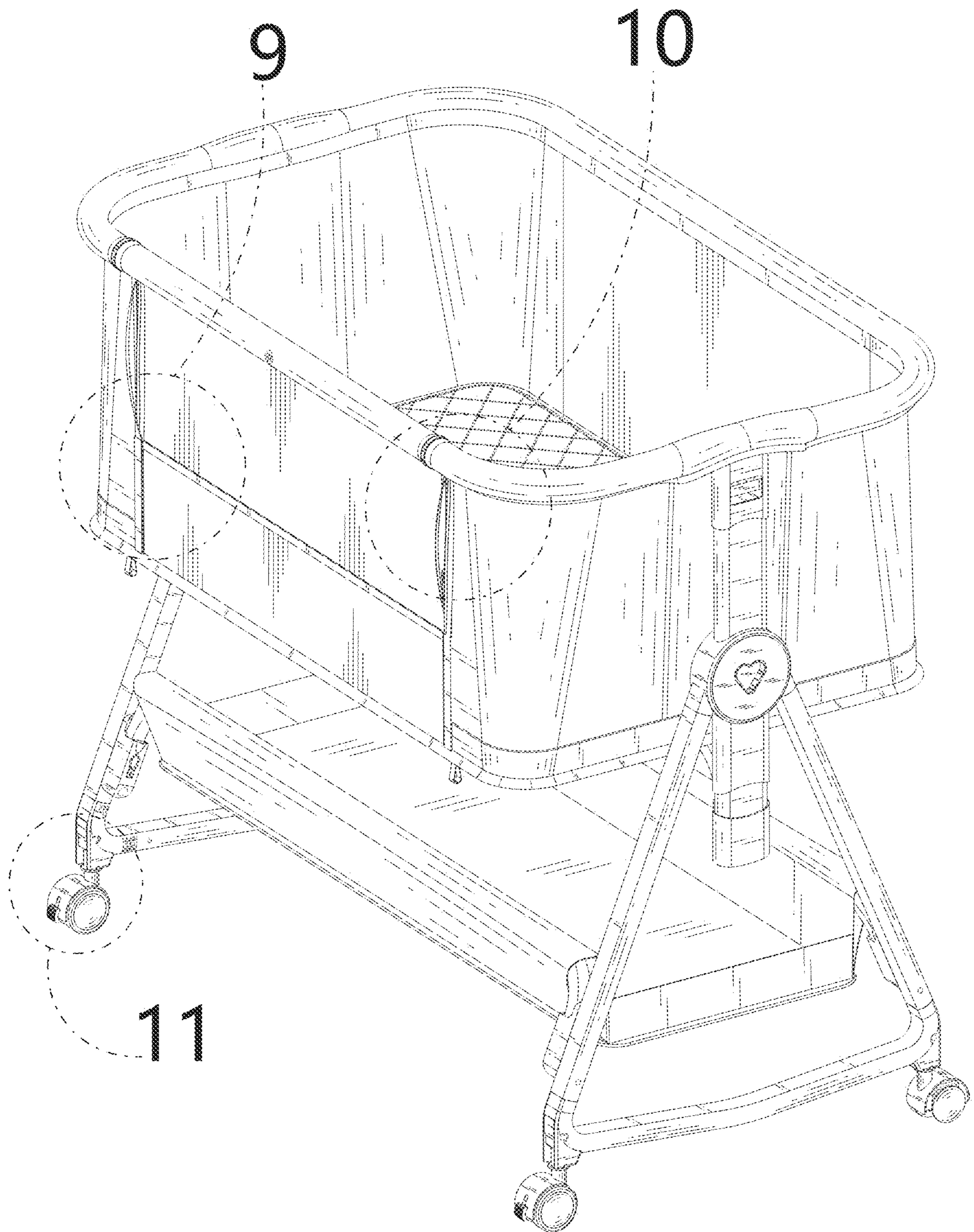


FIG. 1

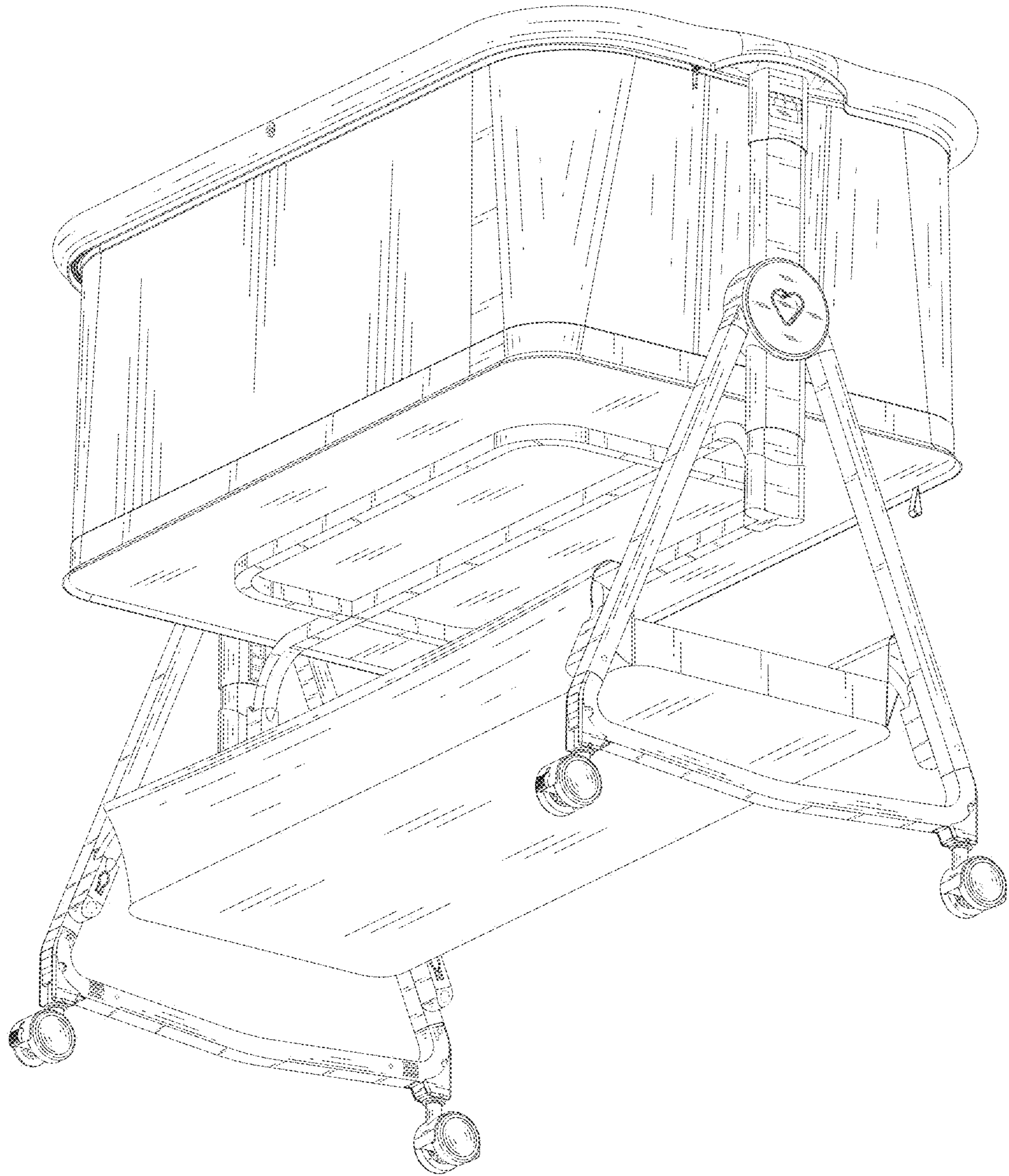


FIG. 2

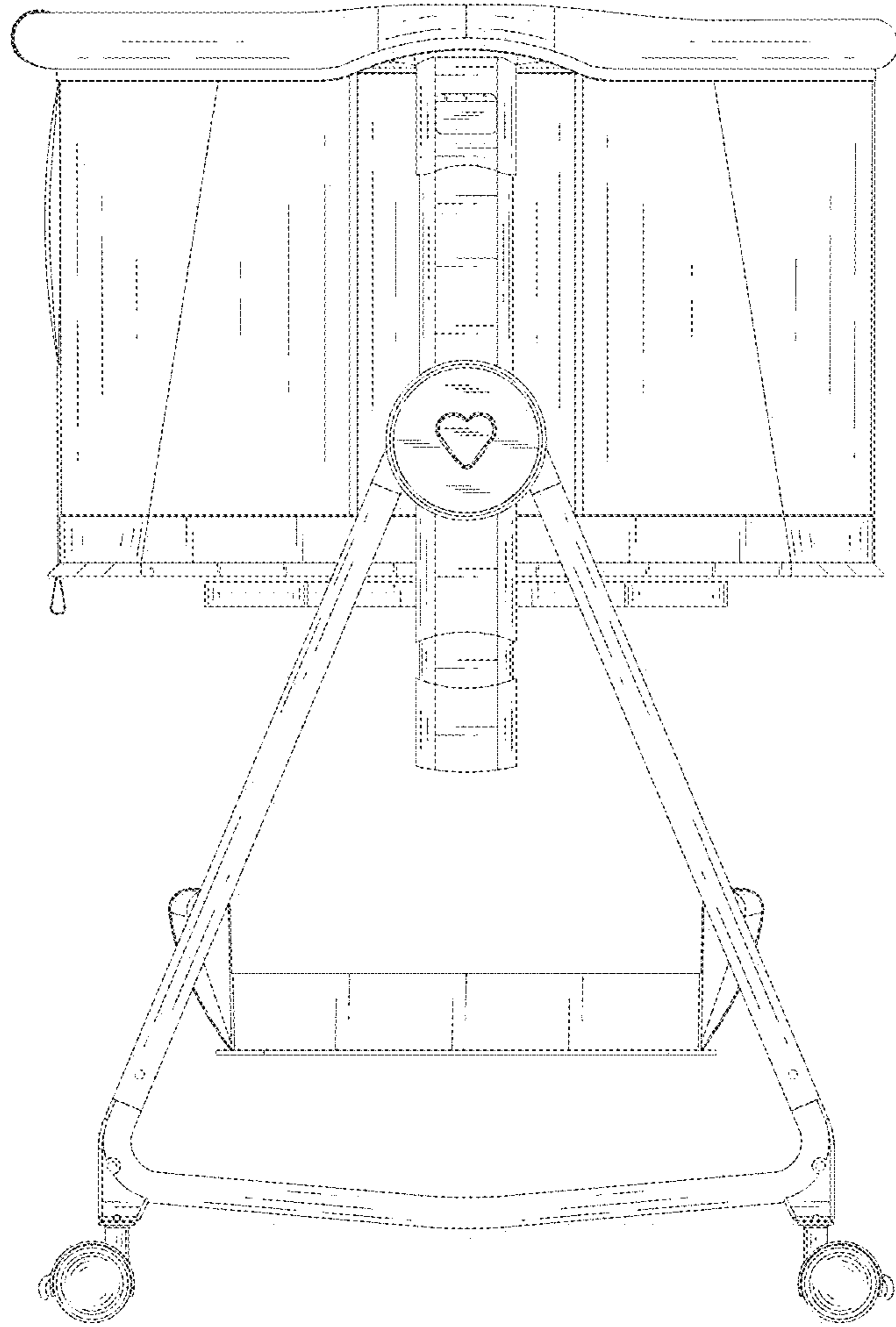


FIG. 3

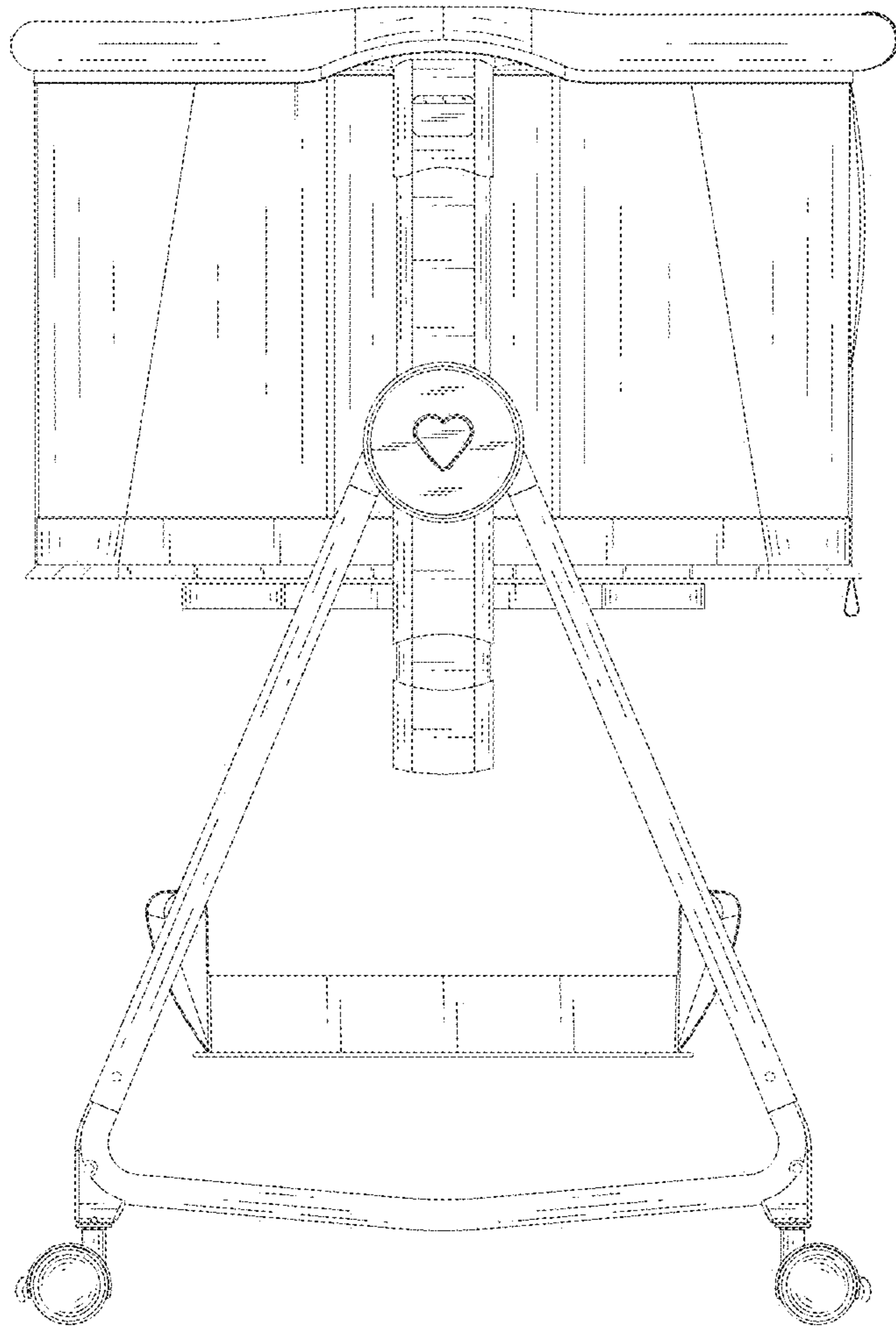


FIG. 4

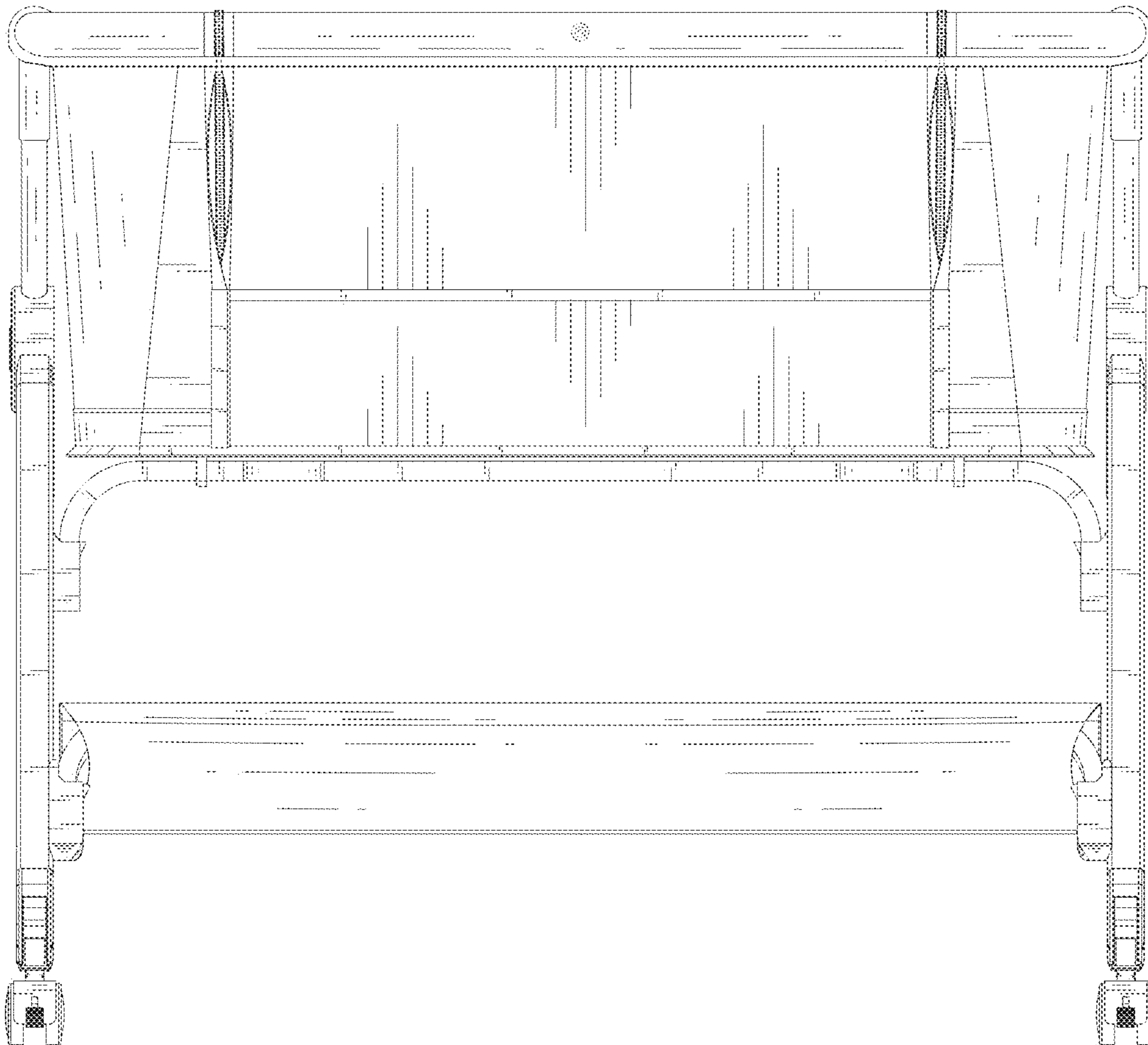


FIG. 5

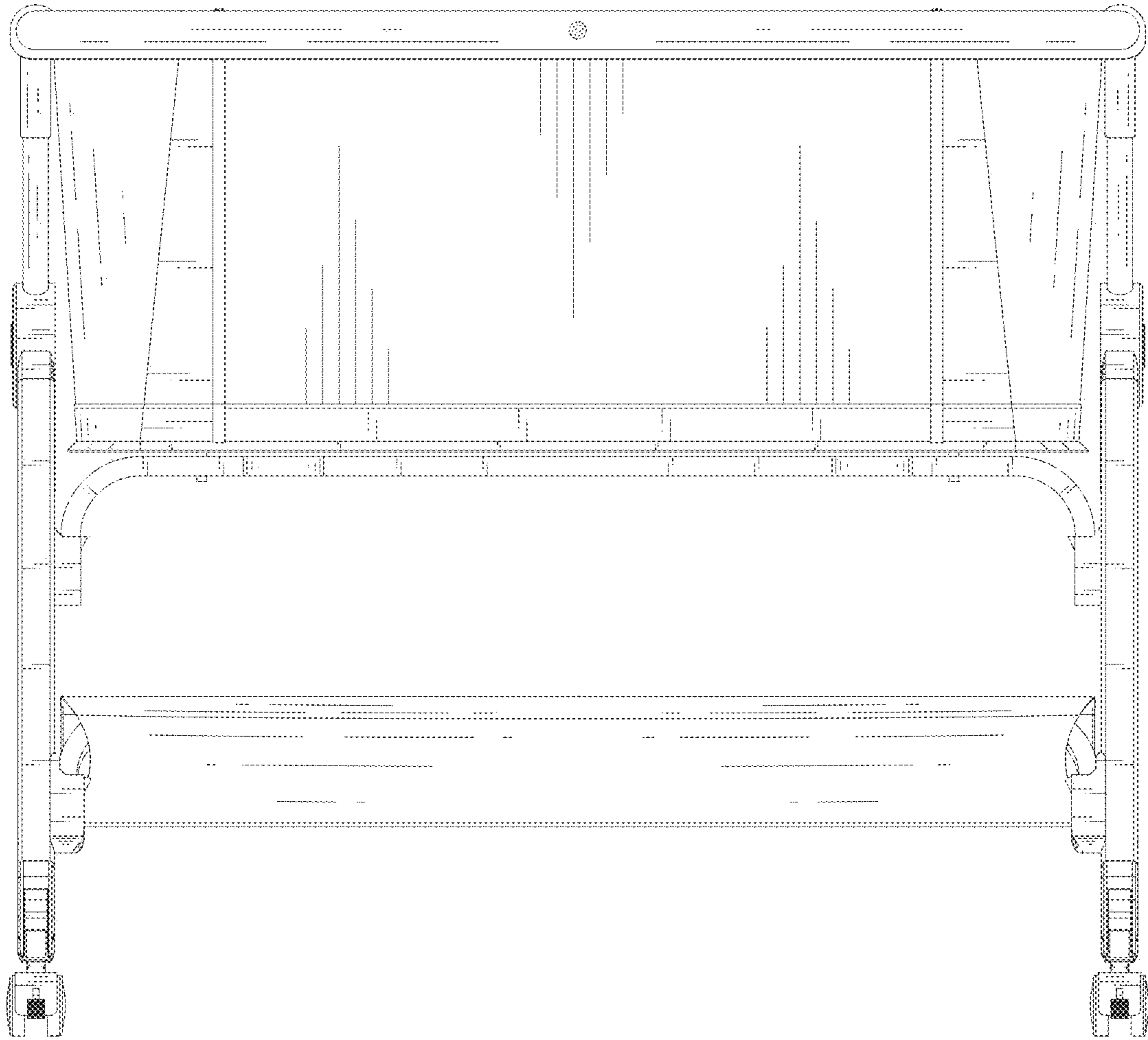


FIG. 6

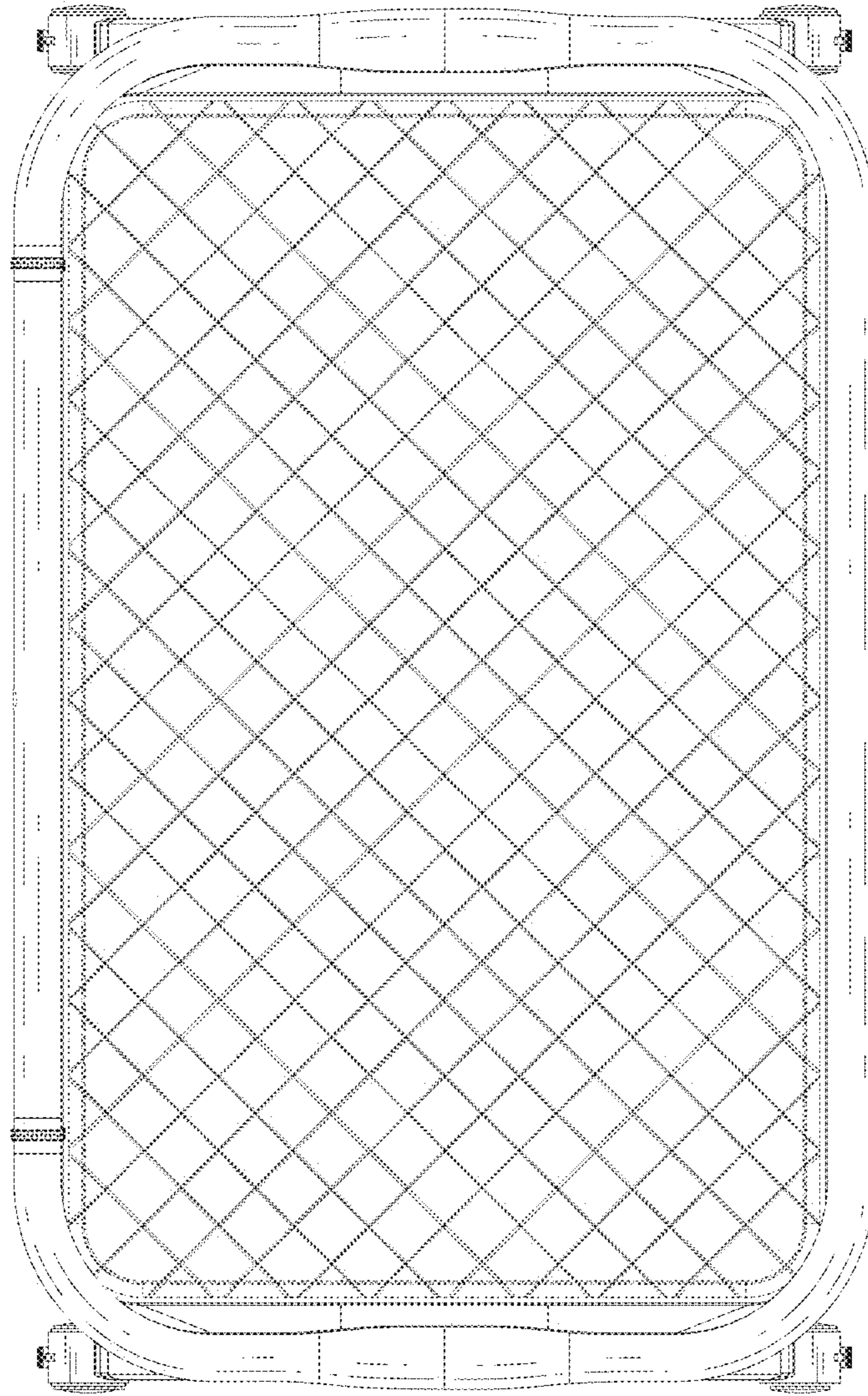


FIG. 7

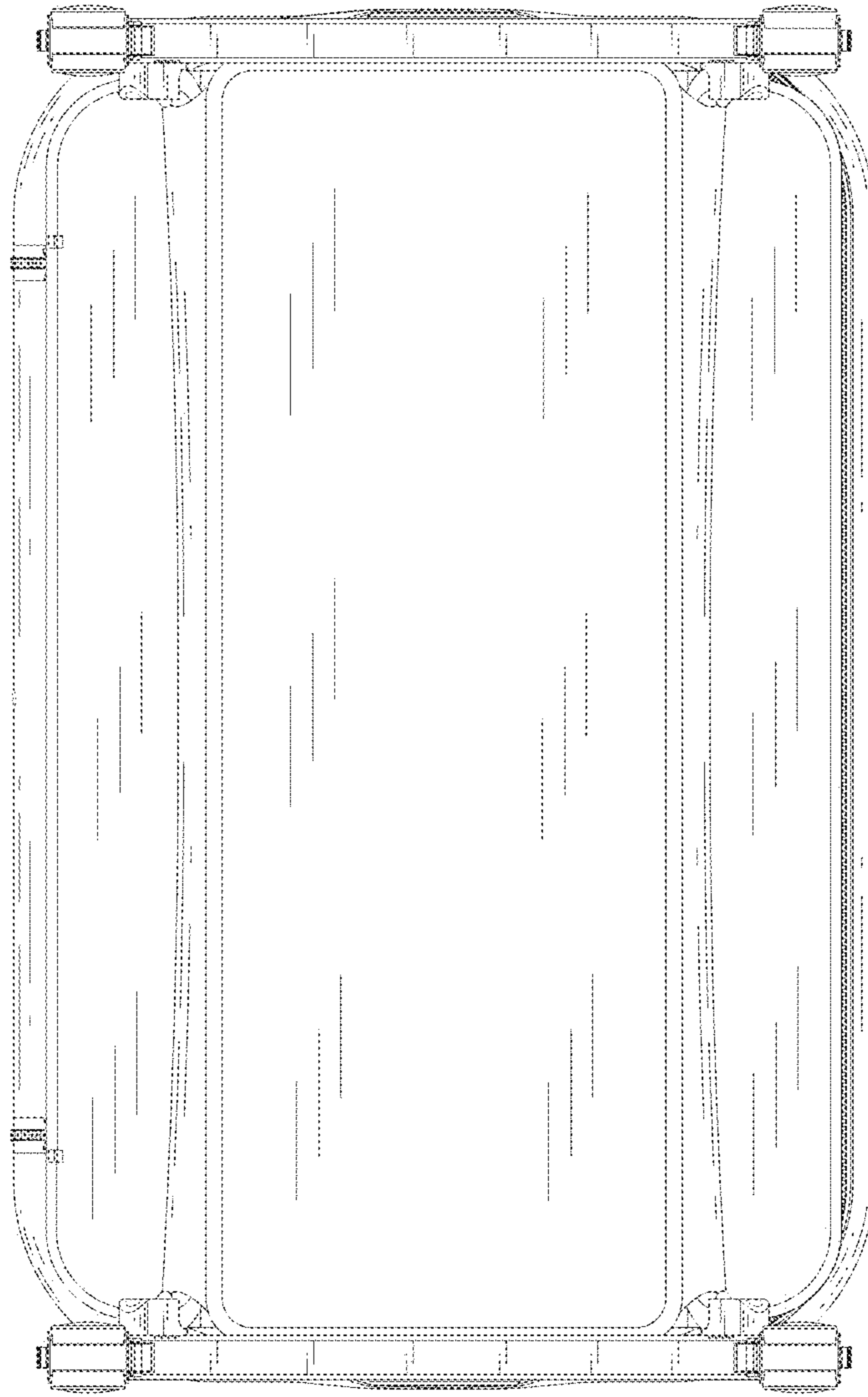


FIG. 8

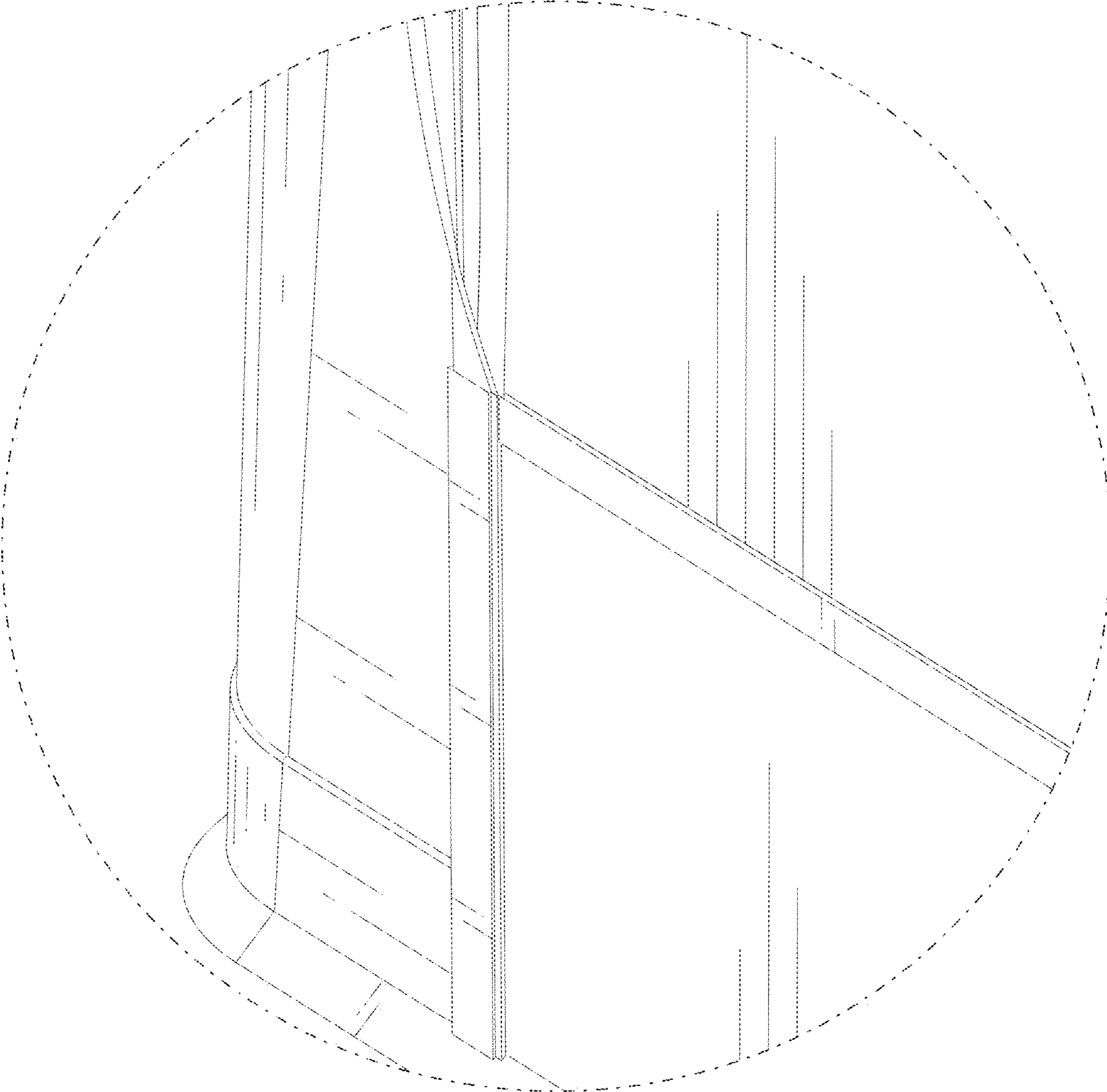


FIG. 9

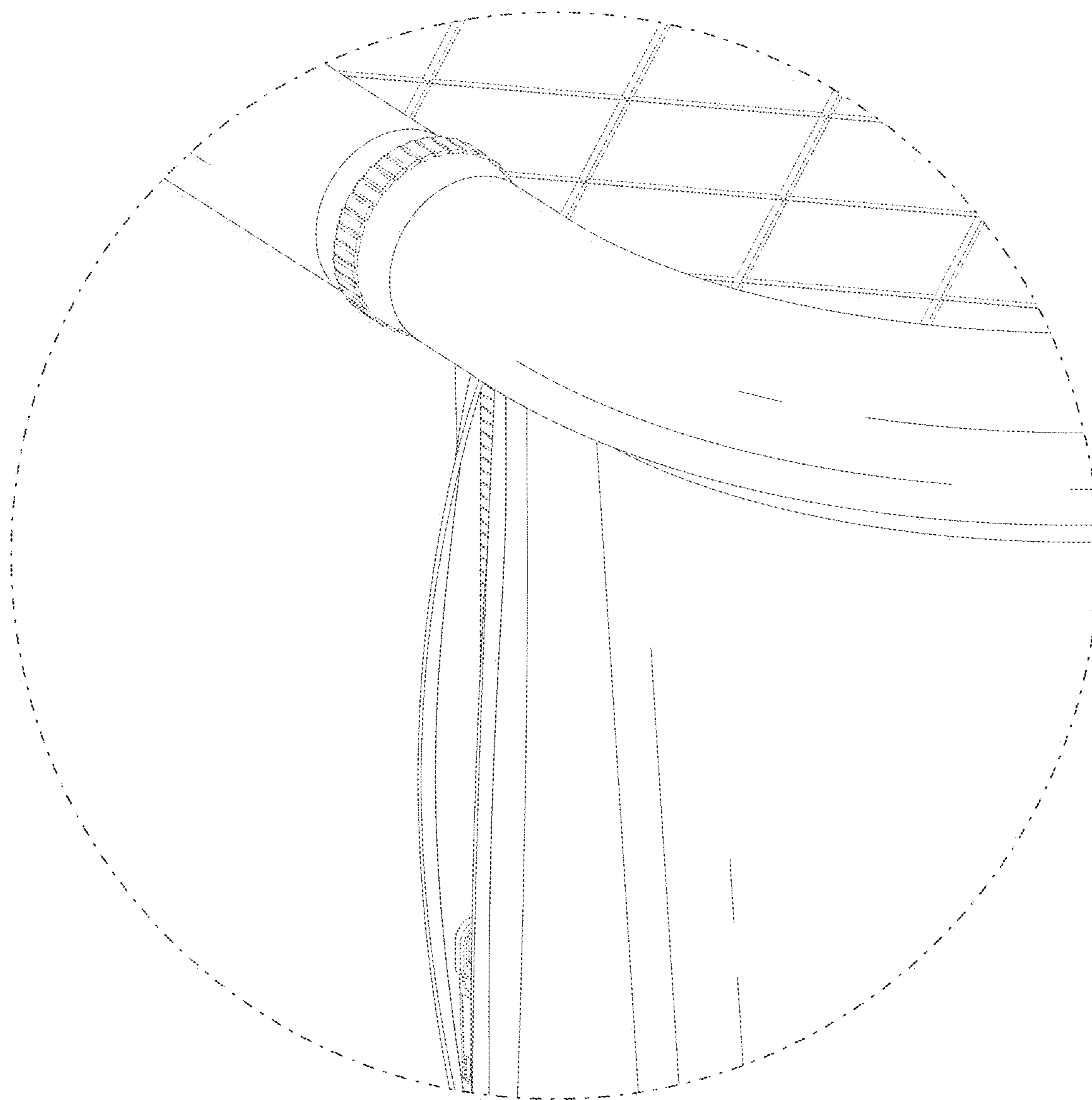


FIG. 10

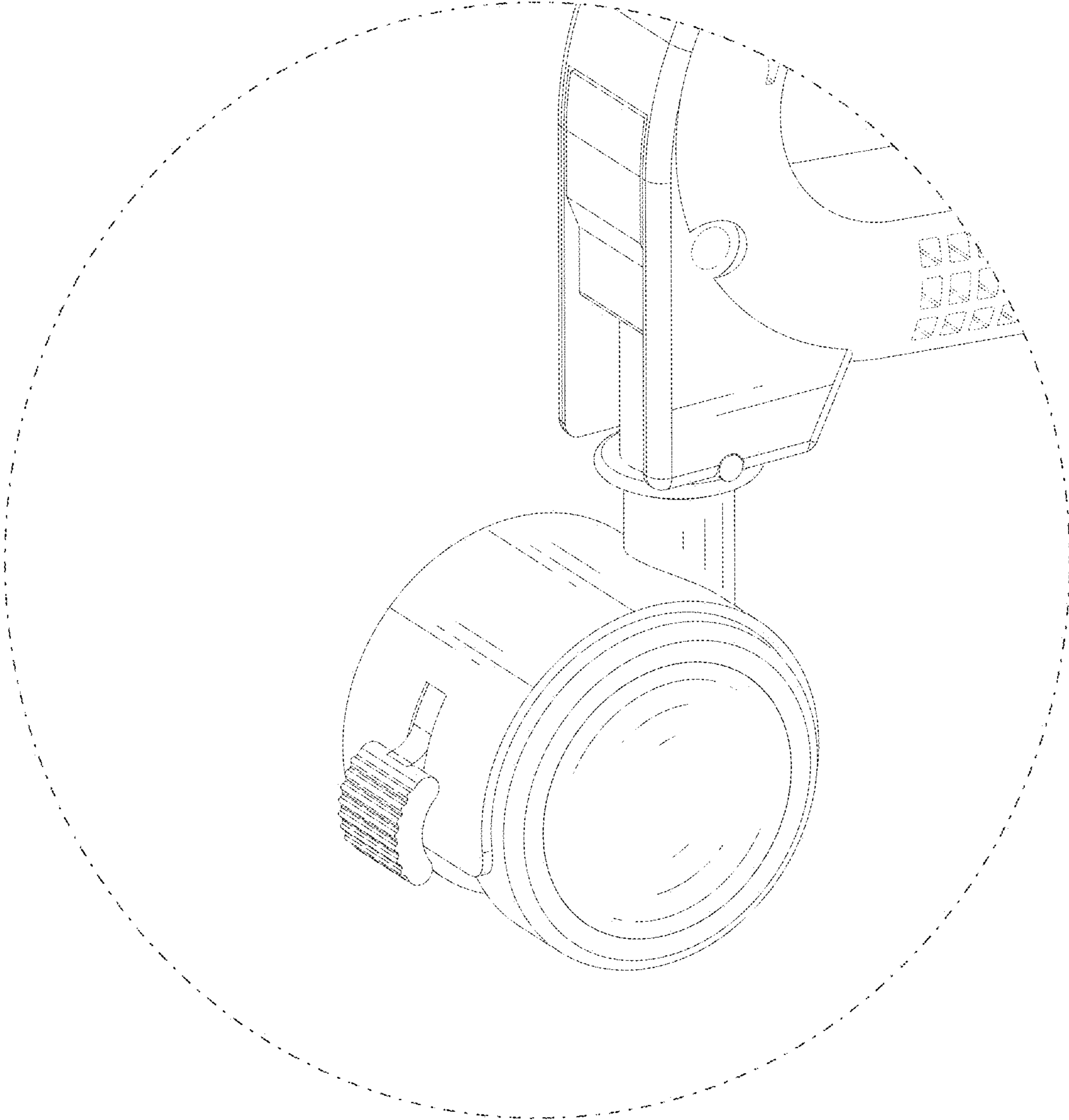


FIG. 11