



US0D1027416S

(12) **United States Design Patent** (10) **Patent No.:** **US D1,027,416 S**
DeCaire (45) **Date of Patent:** **** May 21, 2024**

(54) **MID-SOLE CLEAT** 2,166,958 A * 7/1939 Lawson A43C 15/063
D2/962
(71) Applicant: **Geroline Inc.**, St. Catharines (CA) 2,179,178 A 11/1939 Helmer
2,208,200 A 7/1940 Sloan
(72) Inventor: **Ryan DeCaire**, Toronto (CA) 2,296,660 A 9/1942 Bowman
2,313,316 A 3/1943 Block
(73) Assignee: **Geroline Inc.**, St. Catharines (CA) 2,366,649 A 1/1945 Priess
2,401,891 A 6/1946 Smith
(**) Term: **15 Years** (Continued)

(21) Appl. No.: **29/912,021**
(22) Filed: **Sep. 12, 2023**

Related U.S. Application Data

(62) Division of application No. 29/762,895, filed on Dec. 18, 2020, now Pat. No. Des. 1,003,022.

Foreign Application Priority Data

Jun. 30, 2020 (CA) CA 196629

(51) **LOC (14) Cl.** **02-04**

(52) **U.S. Cl.**
USPC **D2/962; D2/946**

(58) **Field of Classification Search**
USPC D2/906, 914, 915, 946, 947, 949, 951,
D2/953, 962, 968, 976
CPC A43C 15/00; A43C 15/02; A43C 15/04;
A43C 15/06; A43C 15/16; A43B 5/00;
A43B 5/001; A43B 5/02; A43B 5/18;
A43B 5/185
See application file for complete search history.

(56) **References Cited**

U.S. PATENT DOCUMENTS

36,866 A 11/1862 Starr
156,094 A 10/1874 Lemmon
905,510 A 12/1908 Frautschi, Jr.
1,032,600 A 7/1912 Grout
1,275,917 A 8/1918 Herman
2,006,802 A 7/1935 Goodman
2,045,066 A 6/1936 Bower

OTHER PUBLICATIONS

1 Pair 2017 New Durable Anti Slip Snow Ice Climbing Spikes, Jun. 19, 2017, [online], [site visited Aug. 26, 2017]. Retrieved from url:https://www.aliexpress.com/item/Winter-5-studs-Snow-Anti-Slip-ice-crampons-Mens-Ice-Snow-Crampons-Shoes-snow-walker-for/32802916137.html?spm=2114.search0302.4.40.1clbun.
(Continued)

Primary Examiner — Leanne Was-Englehart
Assistant Examiner — Yelizaveta Y Masalimova
(74) *Attorney, Agent, or Firm* — Andrus Intellectual Property Law, LLP

(57) **CLAIM**

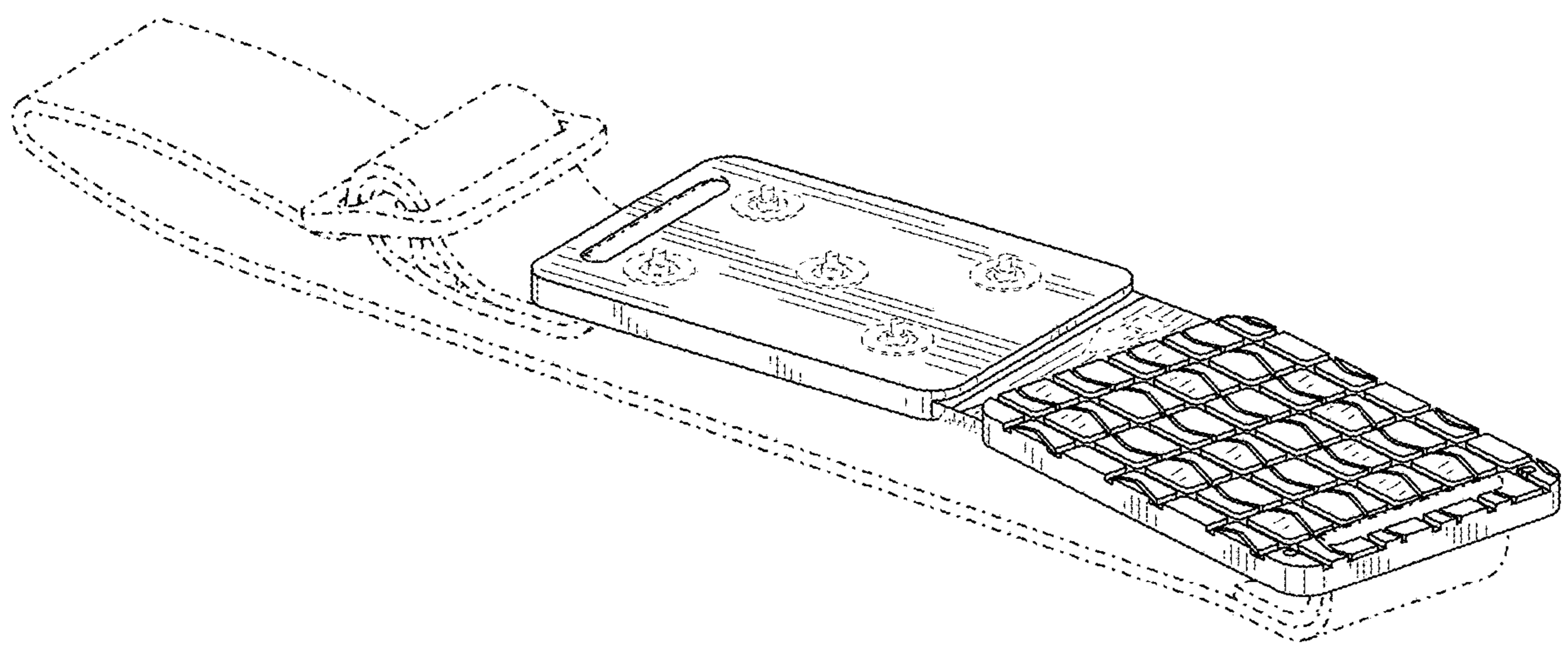
The ornamental design for a mid-sole cleat, as shown and described.

DESCRIPTION

FIG. 1 is a bottom isometric view of a mid-sole cleat;
FIG. 2 is a bottom view thereof;
FIG. 3 is a right side view thereof;
FIG. 4 is a rear view thereof;
FIG. 5 is a left side view thereof;
FIG. 6 is a front view thereof; and,
FIG. 7 is a top view thereof.

The dot-dashed broken lines represent the environment of the claimed design and form no part of the claimed design. The even-dashed broken lines represent portions of the mid-sole cleat that form no part of the claimed design.

1 Claim, 4 Drawing Sheets



(56)

References Cited

U.S. PATENT DOCUMENTS

2,431,748 A 12/1947 Tony
 2,438,193 A 3/1948 Wayne
 2,636,175 A 4/1953 Hoffman
 2,658,289 A 11/1953 Schrieber
 3,691,659 A 9/1972 Nakajima
 3,838,528 A 10/1974 Johnson
 4,005,533 A 2/1977 Anderson et al.
 D262,157 S 12/1981 Kinchen et al.
 D336,559 S 6/1993 Carmichael
 D362,109 S * 9/1995 Jones D2/962
 5,485,687 A 1/1996 Rohde
 6,434,859 B1 8/2002 Kim
 D479,905 S * 9/2003 Wright D2/962
 6,779,280 B2 * 8/2004 Wright A63B 21/4015
 36/7.7
 D559,514 S * 1/2008 Norton D2/962
 D560,890 S * 2/2008 Norton D2/962

8,371,045 B2 2/2013 Tambay
 D790,172 S 6/2017 Hatfield
 D807,005 S 1/2018 Savio
 D831,320 S * 10/2018 Savio D2/962
 D879,443 S * 3/2020 Fridgen D2/962
 D964,718 S * 9/2022 Savio D2/962
 D1,000,081 S * 10/2023 Savio D2/962
 D1,003,022 S * 10/2023 DeCaire D2/962
 D1,006,421 S * 12/2023 Dente D2/962
 2011/0083344 A1 4/2011 Tambay
 2017/0251765 A1 9/2017 Romeril
 2021/0401125 A1 * 12/2021 DeCaire A43C 15/02

OTHER PUBLICATIONS

K1 Midsole—Industrial Commercial model of innovative, new ice Cleat, Jul. 27, 2016, [online], [site visited Sep. 7, 2017]. Retrieved from url:<https://www.youtube.com/watch?v=mmnrwnQYlaw>.

* cited by examiner

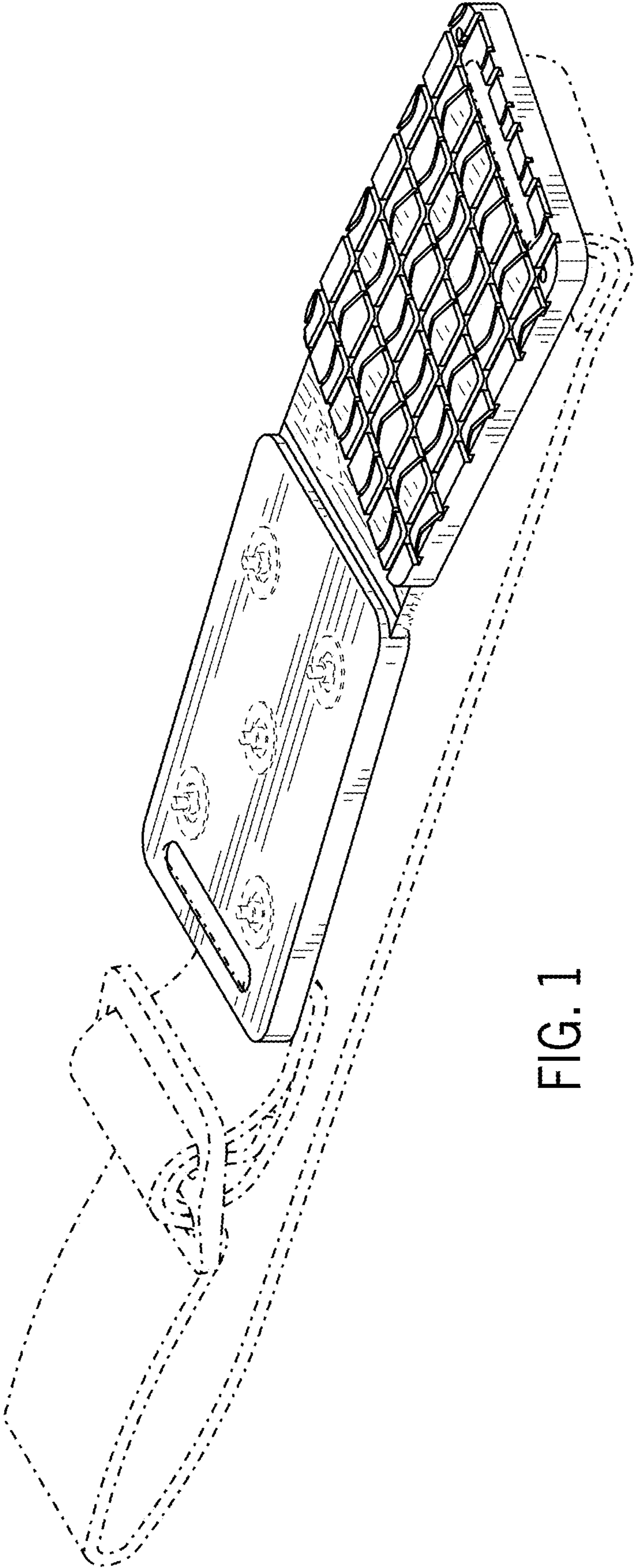


FIG. 1

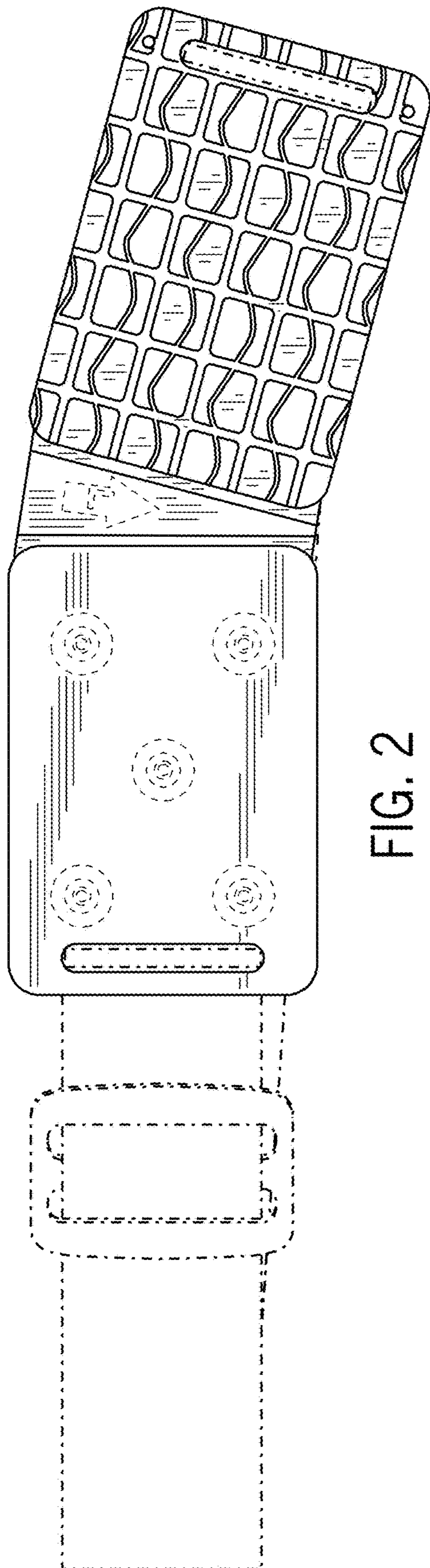


FIG. 2

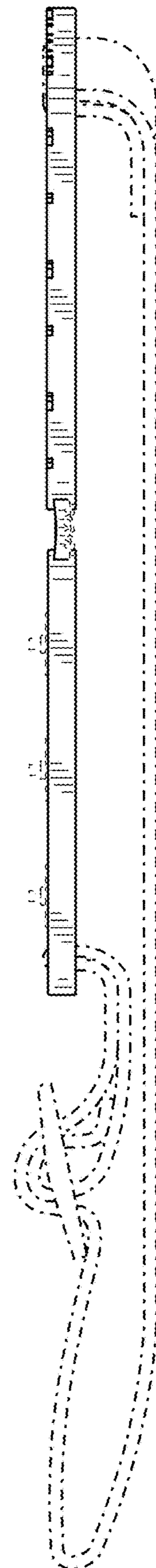


FIG. 3

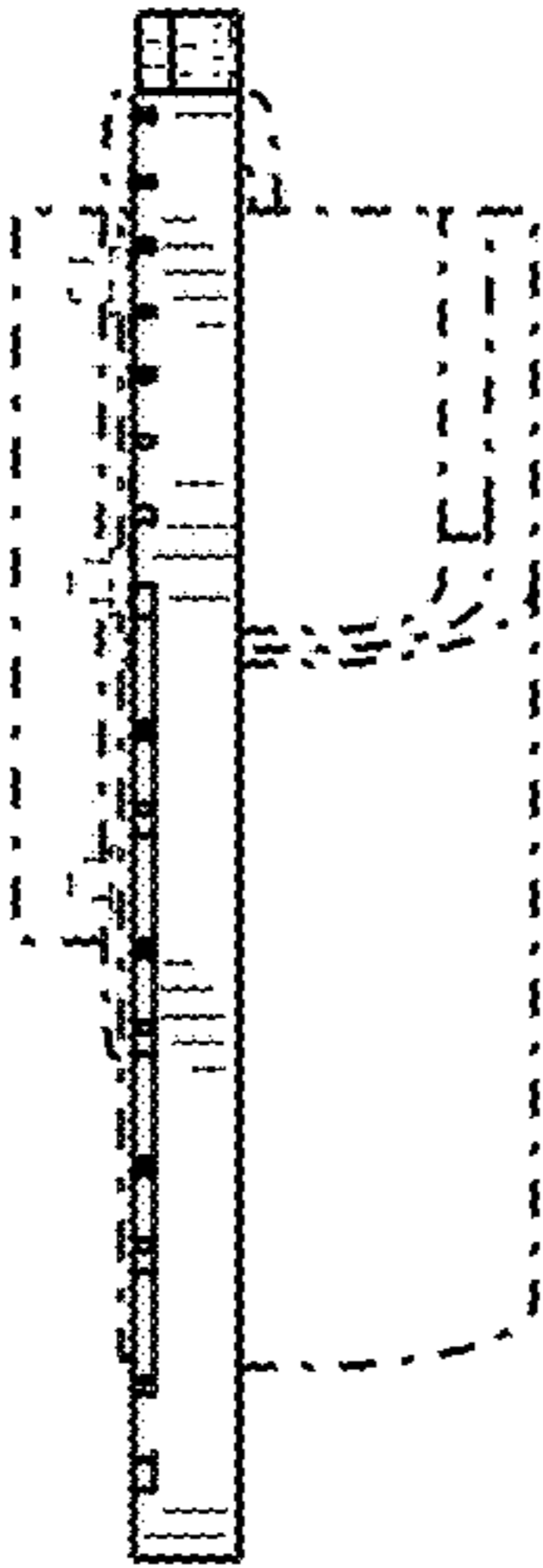


FIG. 4

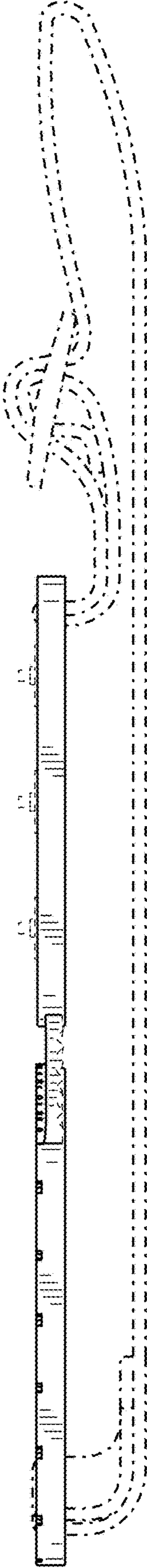


FIG. 5

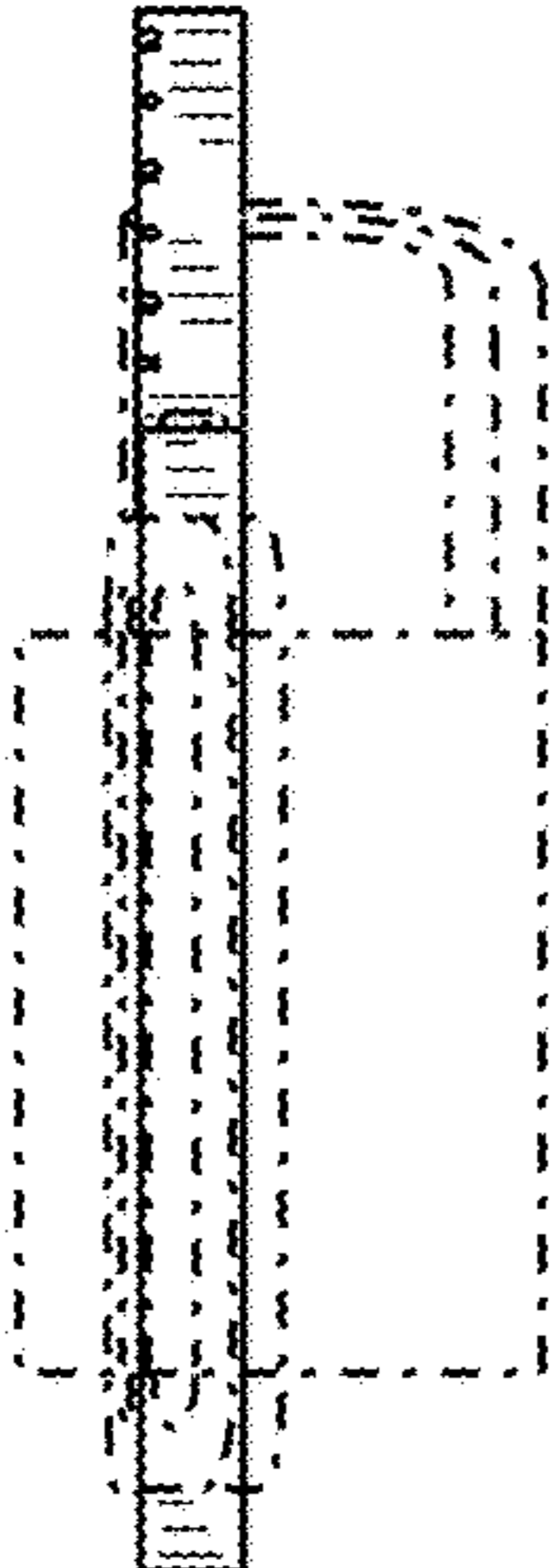


FIG. 6

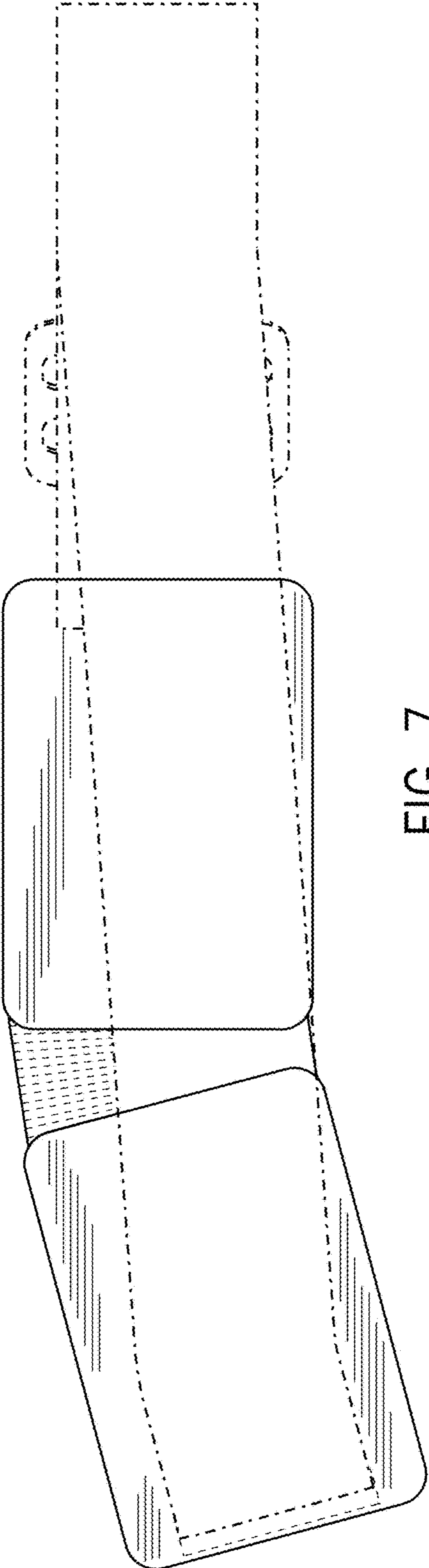


FIG. 7