



US0D1027415S

(12) **United States Design Patent** (10) **Patent No.:** **US D1,027,415 S**  
**Savio et al.** (45) **Date of Patent:** **\*\* May 21, 2024**

- (54) **MID-SOLE CLEAT**
- (71) Applicant: **Geroline Inc.**, Fonthill (CA)
- (72) Inventors: **John Savio**, Fonthill (CA); **Greg McCandless**, Fonthill (CA)
- (73) Assignee: **Geroline Inc.**, St. Catharines (CA)
- (\*\*) Term: **15 Years**
- (21) Appl. No.: **29/869,298**
- (22) Filed: **Dec. 28, 2022**

2,179,178 A 11/1939 Helmer  
 2,208,200 A 7/1940 Sloan  
 2,296,660 A 9/1942 Bowman  
 2,313,316 A 3/1943 Block

(Continued)

**FOREIGN PATENT DOCUMENTS**

CA 169322 S 2/2017  
 CA 169323 S 2/2017  
 KR 20140135529 A 11/2014

**OTHER PUBLICATIONS**

1 Pair 2017 New Durable Anti Slip Snow Ice Climbing Spikes, Jun. 19, 2017, [online], [site visited Aug. 26, 2017]. Retrieved from url:https://www.aliexpress.com/item/Winter-5-studs-Snow-Anti-Slip-ice-crampons-Mens-Ice-Snow-Crampons-Shoes-snow-walker-for/32802916137.html?spm=2114.search0302.4.40.1clbun.

(Continued)

**Related U.S. Application Data**

- (62) Division of application No. 29/724,249, filed on Feb. 13, 2020, now Pat. No. Des. 1,000,081.
- (51) **LOC (14) Cl.** ..... **02-04**
- (52) **U.S. Cl.**  
USPC ..... **D2/962**; D2/946
- (58) **Field of Classification Search**  
USPC ..... D2/906, 914, 946, 961, 962, 968, 976, D2/978  
CPC ..... A43C 15/00; A43C 15/02; A43C 15/04; A43C 15/06; A43C 15/16; A43B 5/00; A43B 5/001; A43B 5/02; A43B 5/18; A43B 5/185  
See application file for complete search history.

*Primary Examiner* — Leanne Was-Englehart  
*Assistant Examiner* — Yelizaveta Y Masalimova  
 (74) *Attorney, Agent, or Firm* — Andrus Intellectual Property Law, LLP

(57) **CLAIM**

The ornamental design for a mid-sole cleat, as shown and described.

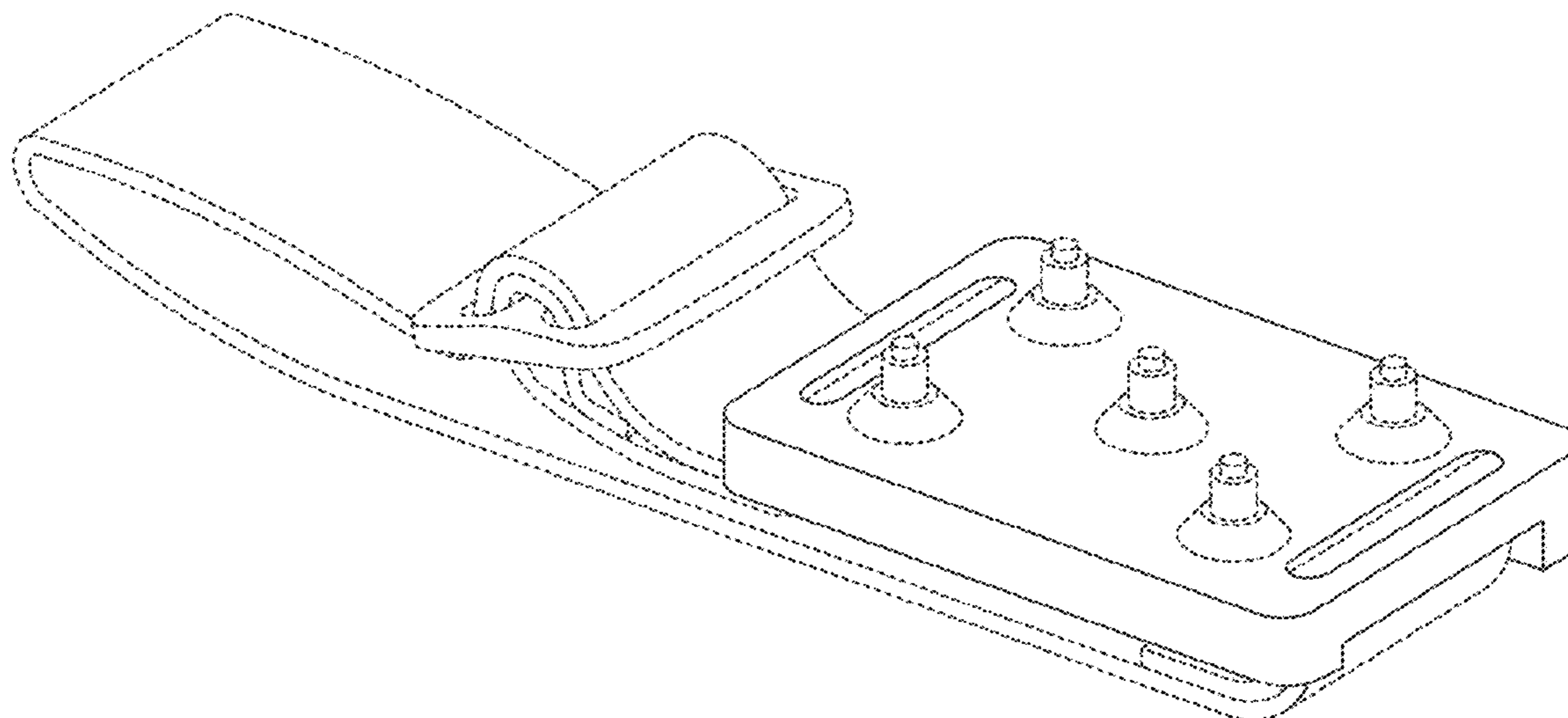
**DESCRIPTION**

FIG. 1 is a perspective view of the mid-sole cleat;  
 FIG. 2 is a side view thereof;  
 FIG. 3 is a top view thereof;  
 FIG. 4 is a side view thereof;  
 FIG. 5 is a bottom view thereof;  
 FIG. 6 is a front view thereof; and,  
 FIG. 7 is a back view thereof.  
 The dashed lines show various portions and other elements in the figures for the purpose of illustrating portions of the mid-sole cleat that form no part of the claimed design.

**1 Claim, 3 Drawing Sheets**

(56) **References Cited**  
U.S. PATENT DOCUMENTS

36,866 A 11/1862 Starr  
 156,094 A 10/1874 Lemmon  
 905,510 A 12/1908 Frautschi, Jr.  
 1,018,708 A 2/1912 Hetrick  
 1,032,600 A 7/1912 Grout  
 1,275,917 A 8/1918 Herman  
 2,006,802 A 7/1935 Goodman  
 2,045,066 A 6/1936 Bower  
 2,166,958 A \* 7/1939 Lawson ..... A43C 15/063  
 D2/962



(56)

References Cited

U.S. PATENT DOCUMENTS

2,366,649 A 1/1945 Priess  
 2,401,891 A 6/1946 Smith  
 2,431,748 A 12/1947 Tony  
 2,438,193 A 3/1948 Wayne  
 2,636,175 A 4/1953 Hoffman  
 2,658,289 A 11/1953 Schrieber  
 3,691,659 A 9/1972 Nakajima  
 3,838,528 A 10/1974 Johnson  
 4,005,533 A 2/1977 Anderson et al.  
 D259,297 S 5/1981 Carey  
 D261,945 S 11/1981 Carey  
 D262,157 S 12/1981 Kinchen et al.  
 4,525,939 A 7/1985 McNeil et al.  
 4,693,022 A 9/1987 Terhune  
 D336,559 S 6/1993 Carmichael  
 D362,109 S \* 9/1995 Jones ..... D2/962  
 5,485,687 A 1/1996 Rohde  
 D373,167 S 8/1996 Santos  
 5,659,978 A 8/1997 Bell et al.  
 6,434,859 B1 8/2002 Kim  
 D479,905 S \* 9/2003 Wright ..... D2/962  
 6,779,280 B2 \* 8/2004 Wright ..... A63B 21/4015  
 36/7.7  
 D559,514 S \* 1/2008 Norton ..... D2/962  
 D560,890 S \* 2/2008 Norton ..... D2/962  
 8,371,045 B2 2/2013 Tambay

D790,172 S 6/2017 Hatfield  
 D807,005 S 1/2018 Savio  
 D831,320 S 10/2018 Savio et al.  
 D831,321 S 10/2018 Spring  
 D843,099 S 3/2019 Bunch  
 D879,443 S 3/2020 Fridgen  
 11,000,098 B2 5/2021 Fogg et al.  
 D952,309 S 5/2022 Lv  
 D953,719 S 6/2022 Hernandez Garcilazo  
 D964,718 S \* 9/2022 Savio ..... D2/962  
 11,439,204 B2 9/2022 Dente  
 D1,000,081 S \* 10/2023 Savio ..... D2/962  
 D1,003,022 S \* 10/2023 DeCaire ..... D2/962  
 D1,006,421 S \* 12/2023 Dente ..... D2/962  
 2005/0241179 A1 11/2005 Chen  
 2010/0139118 A1 6/2010 Park  
 2011/0083344 A1 4/2011 Tambay  
 2013/0312294 A1 11/2013 Tang  
 2017/0251765 A1 9/2017 Romeril  
 2020/0138147 A1 5/2020 Fogg et al.  
 2021/0401125 A1 \* 12/2021 DeCaire ..... A43C 15/02

OTHER PUBLICATIONS

K1 Midsole—Industrial Commercial model of innovative, new ice Cleat, Jul. 27, 2016, [online], [site visited Sep. 7, 2017]. Retrieved from url:<https://www.youtube.com/watch?v=mmnrwnQYlaw>.

\* cited by examiner

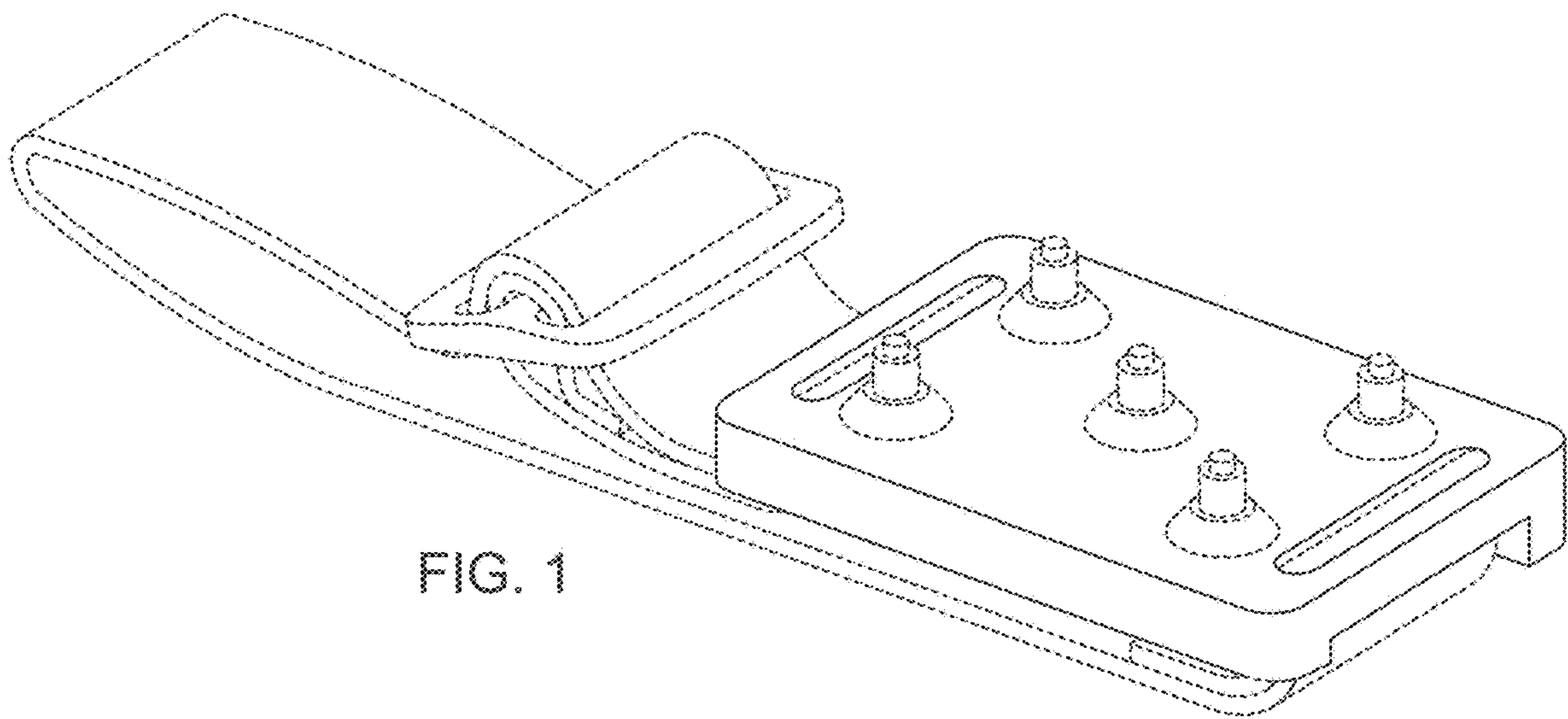


FIG. 1

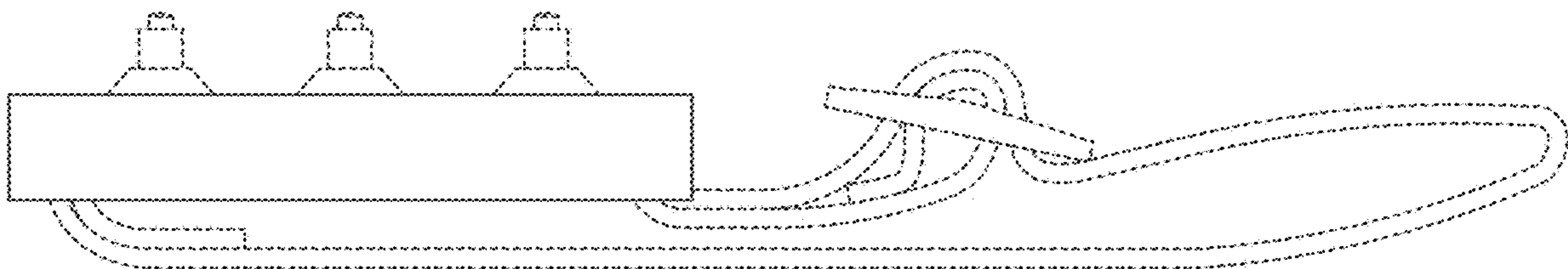


FIG. 2

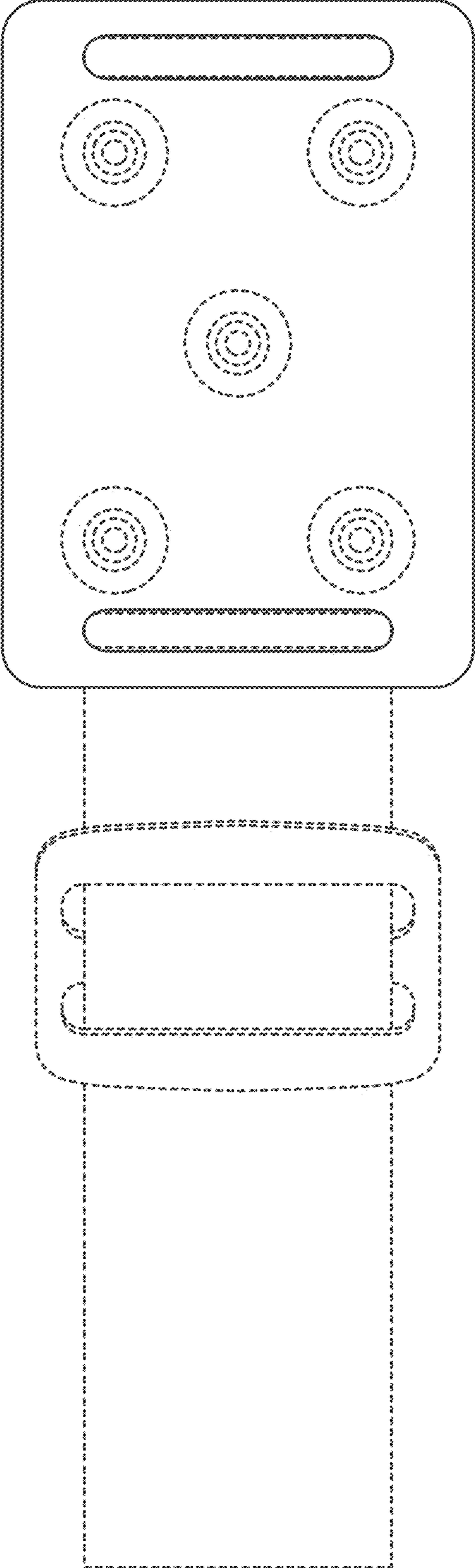


FIG. 3

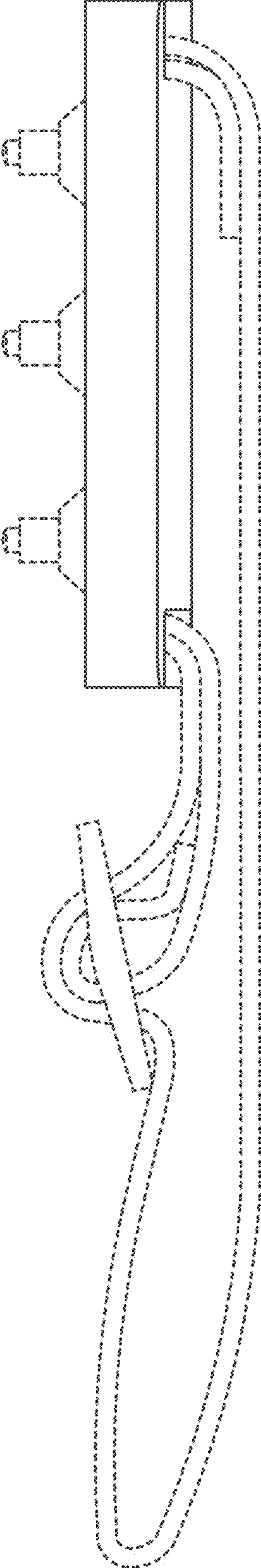


FIG. 4

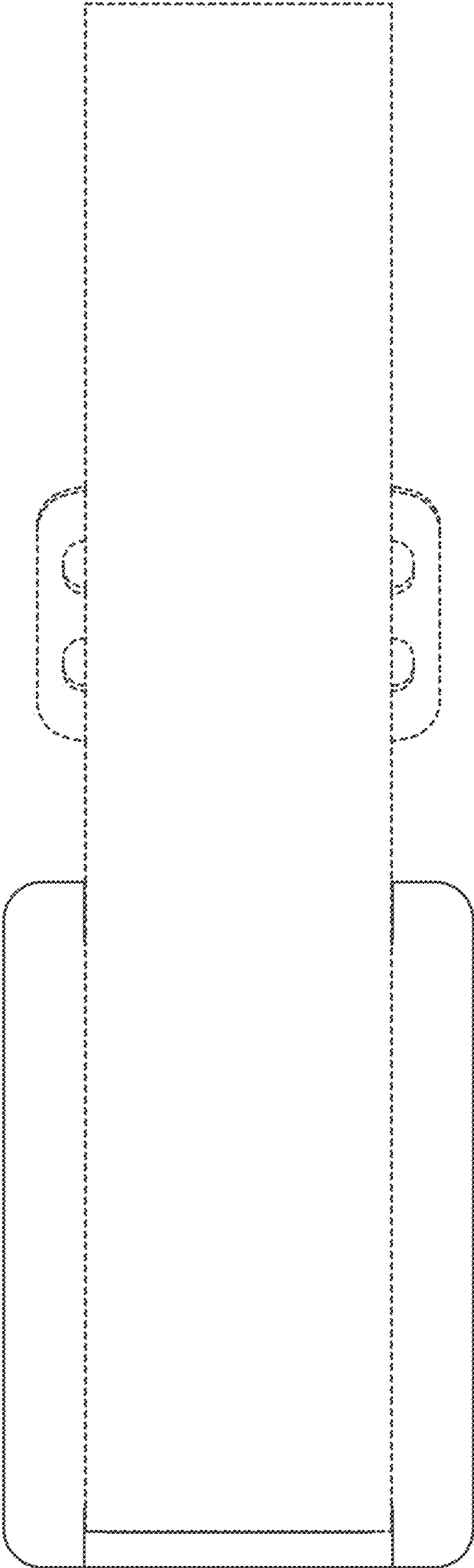


FIG. 5

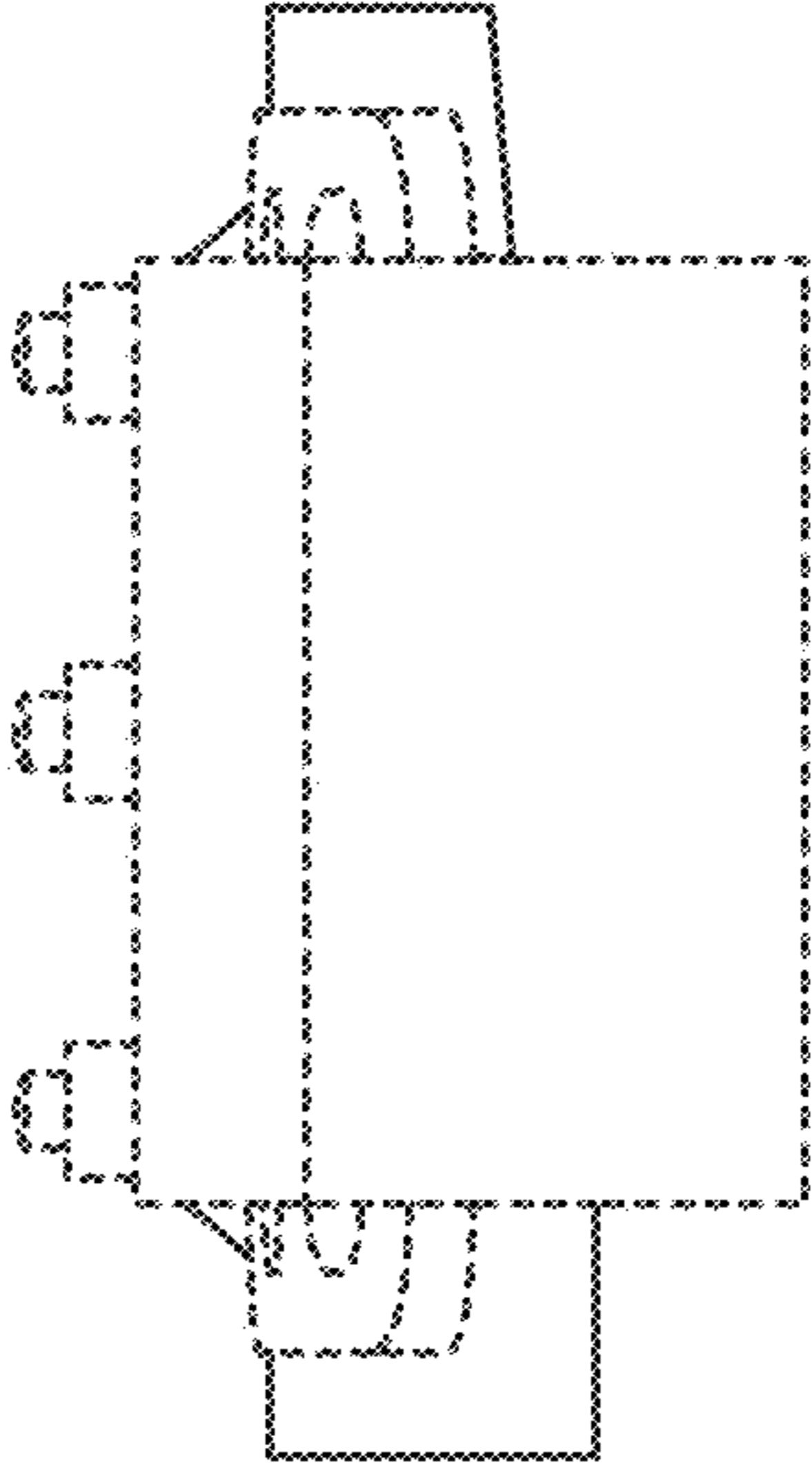


FIG. 6

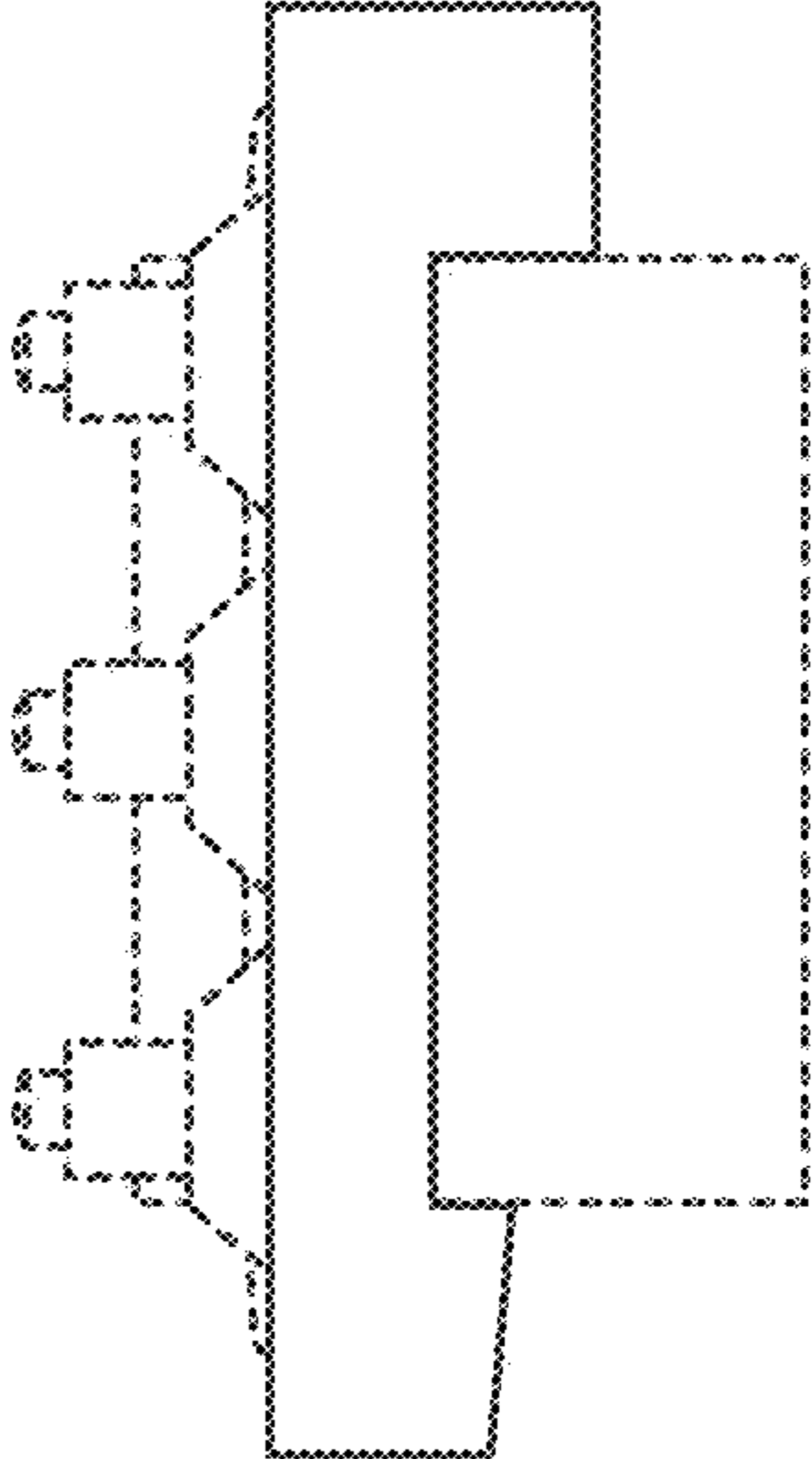


FIG. 7