



US0D1027360S

(12) **United States Design Patent**
Howard

(10) **Patent No.:** **US D1,027,360 S**

(45) **Date of Patent:** **** May 14, 2024**

(54) **SCREEN ASSEMBLY FOR GARAGE DOOR OPENING**

(71) Applicant: **Samuel Marcus Howard**, Lancaster, TX (US)

(72) Inventor: **Samuel Marcus Howard**, Lancaster, TX (US)

(**) Term: **15 Years**

(21) Appl. No.: **29/742,232**

(22) Filed: **Oct. 8, 2020**

(51) **LOC (14) Cl.** **25-02**

(52) **U.S. Cl.**
USPC **D25/48.8**

(58) **Field of Classification Search**
USPC D25/48.8, 48.2, 48.3, 48.4, 103
CPC ... E06B 9/52; E06B 9/54; E06B 3/485; E06B
5/003; E06B 9/521
See application file for complete search history.

(56) **References Cited**

U.S. PATENT DOCUMENTS

3,247,637	A *	4/1966	Robertson	E06B 3/486 D25/48.4
4,673,019	A *	6/1987	Silverthorne	E06B 9/40 160/290.1
5,123,474	A *	6/1992	Smith	E06B 9/50 160/310
D334,067	S *	3/1993	Helka	D25/48.8
5,346,754	A *	9/1994	Yun	F16P 1/02 428/421
5,419,386	A *	5/1995	Magro	E06B 9/15 D25/48.8
D365,155	S *	12/1995	McLean	D25/48.8
D374,487	S *	10/1996	Lacherza	E06B 9/40 D25/48.8
5,848,630	A *	12/1998	Manzo	E06B 5/10 160/113

6,053,235	A *	4/2000	Ruffner, Sr.	A47H 5/00 160/113
D426,315	S *	6/2000	Dillard	E06B 9/582 D25/48.8
6,289,963	B1 *	9/2001	Vaske	E05D 15/24 160/113
D466,616	S *	12/2002	Warner	A47H 5/00 D25/48.8
6,705,378	B1 *	3/2004	Smidt	E06B 9/54 160/DIG. 18
7,086,442	B1 *	8/2006	Esparza	E06B 9/52 160/113
D562,465	S *	2/2008	Foreman	E06B 7/32 D25/48.8

(Continued)

Primary Examiner — Calvin E Vansant
(74) *Attorney, Agent, or Firm* — Richard Eldredge;
Leavitt and Eldredge Law Firm

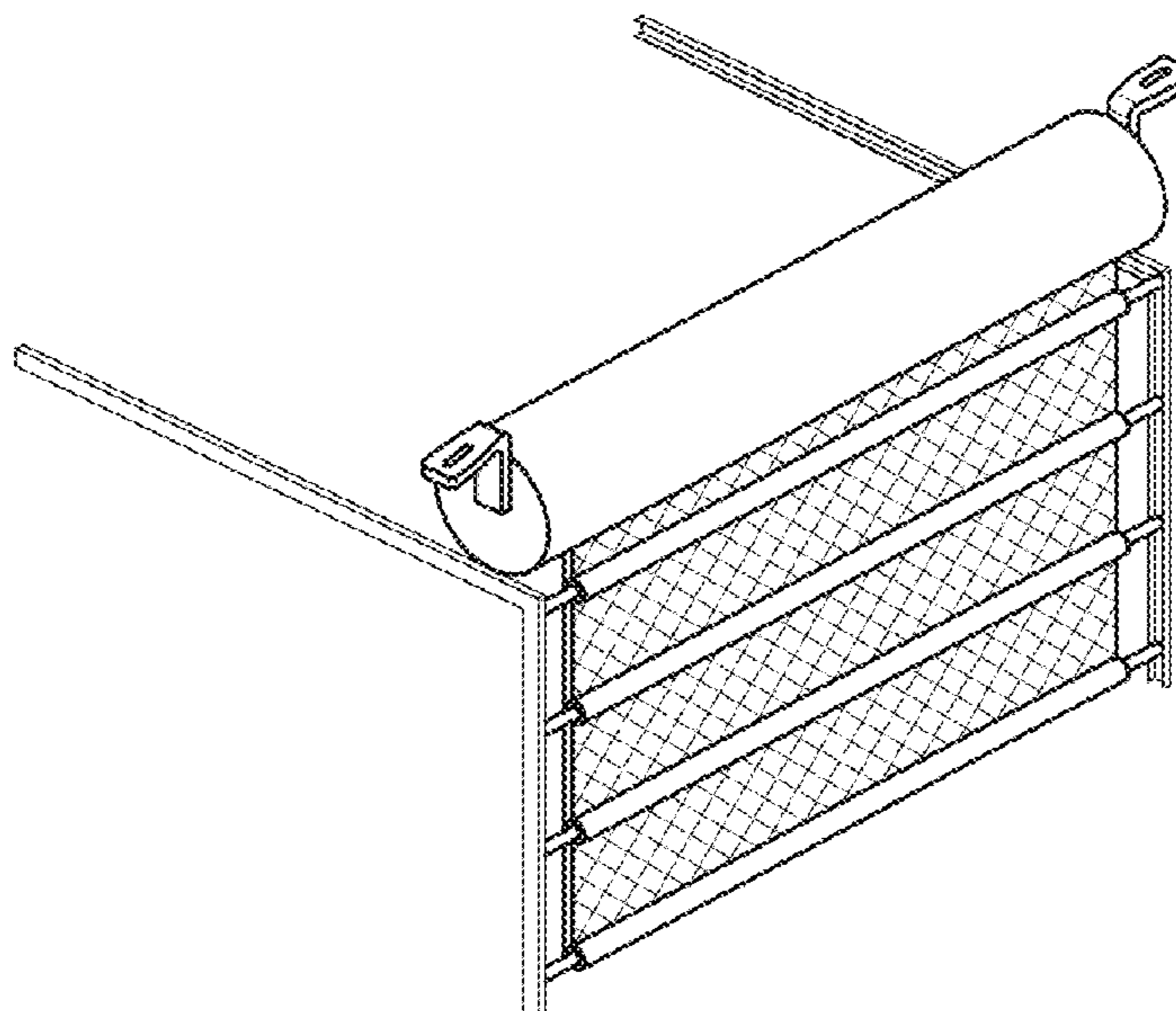
(57) **CLAIM**

The ornamental design for a screen assembly for a garage door opening, as shown and described.

DESCRIPTION

FIG. 1 is a perspective view of a screen assembly for garage door opening illustrating my new design, the guide tracks are removed to clearly show details of the screen assembly; FIG. 2 is a perspective view of the screen assembly for garage door opening; FIG. 3 is an enlarged view of a portion of screen assembly inserted into a broken away section of track of FIG. 2; FIG. 4 is a cross-sectional view showing the screen assembly being inserted into the track; and, FIG. 5 is a cross-sectional view showing the screen assembly inserted into the track. The dot-dash broken lines represent the boundary of the claimed design and form no part of the claim.

1 Claim, 1 Drawing Sheet



(56)

References Cited

U.S. PATENT DOCUMENTS

D666,308 S * 8/2012 Sanchez E06B 9/52
D25/48.8
9,850,703 B1 * 12/2017 Alirezaei E05D 15/18
2004/0144499 A1 * 7/2004 Pannell E06B 9/52
160/113
2006/0137832 A1 * 6/2006 Alexander E05C 9/00
160/113
2008/0202698 A1 * 8/2008 Dalton E06B 5/003
160/89
2014/0069593 A1 * 3/2014 Gravel E06B 7/32
160/89
2018/0044977 A1 * 2/2018 Bonnell E06B 9/582
2020/0318429 A1 * 10/2020 Heissenberg E06B 9/54
2020/0318430 A1 * 10/2020 Heissenberg E06B 9/54
2021/0207434 A1 * 7/2021 De La Porte E06B 9/522

* cited by examiner

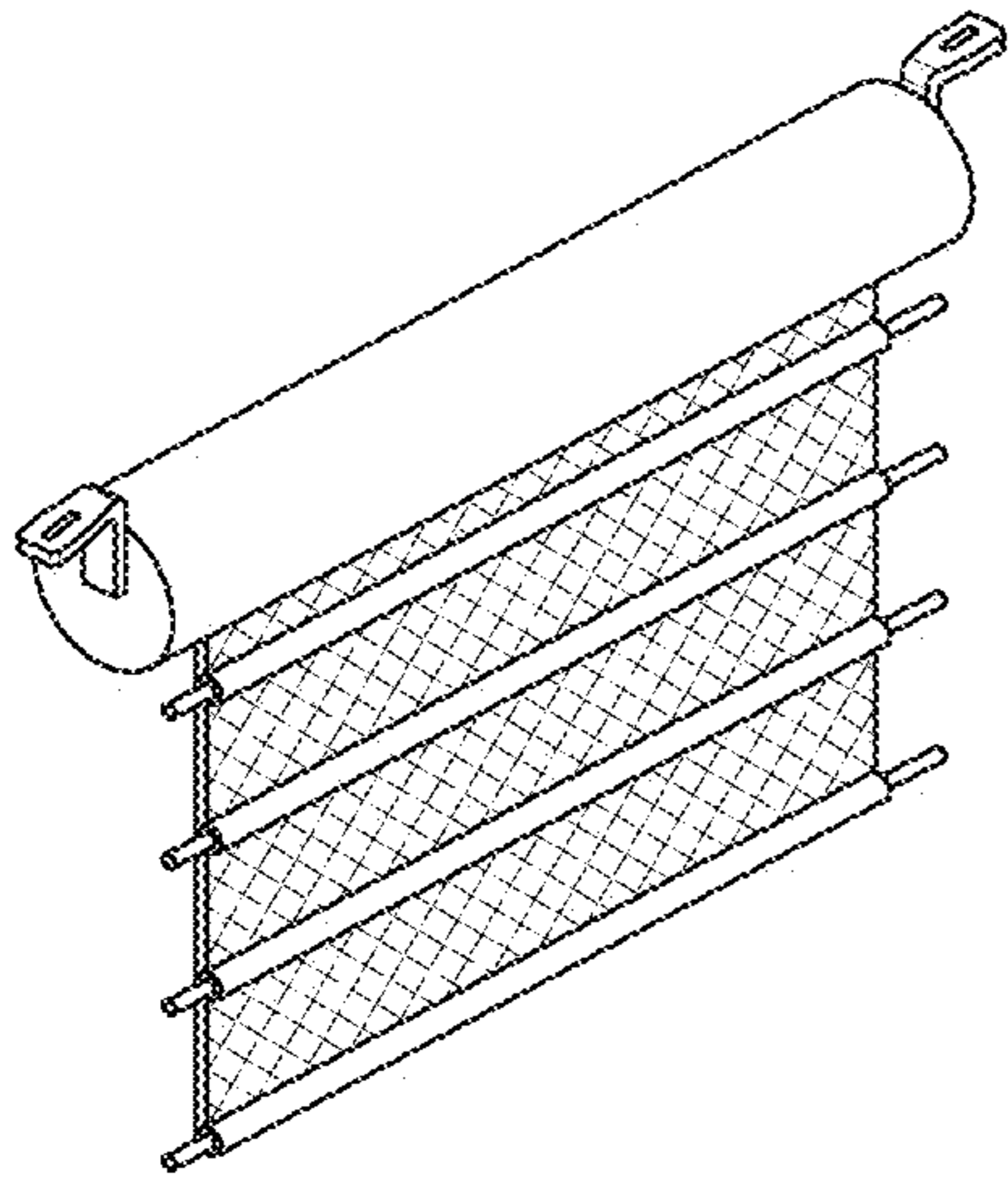


Fig. 1

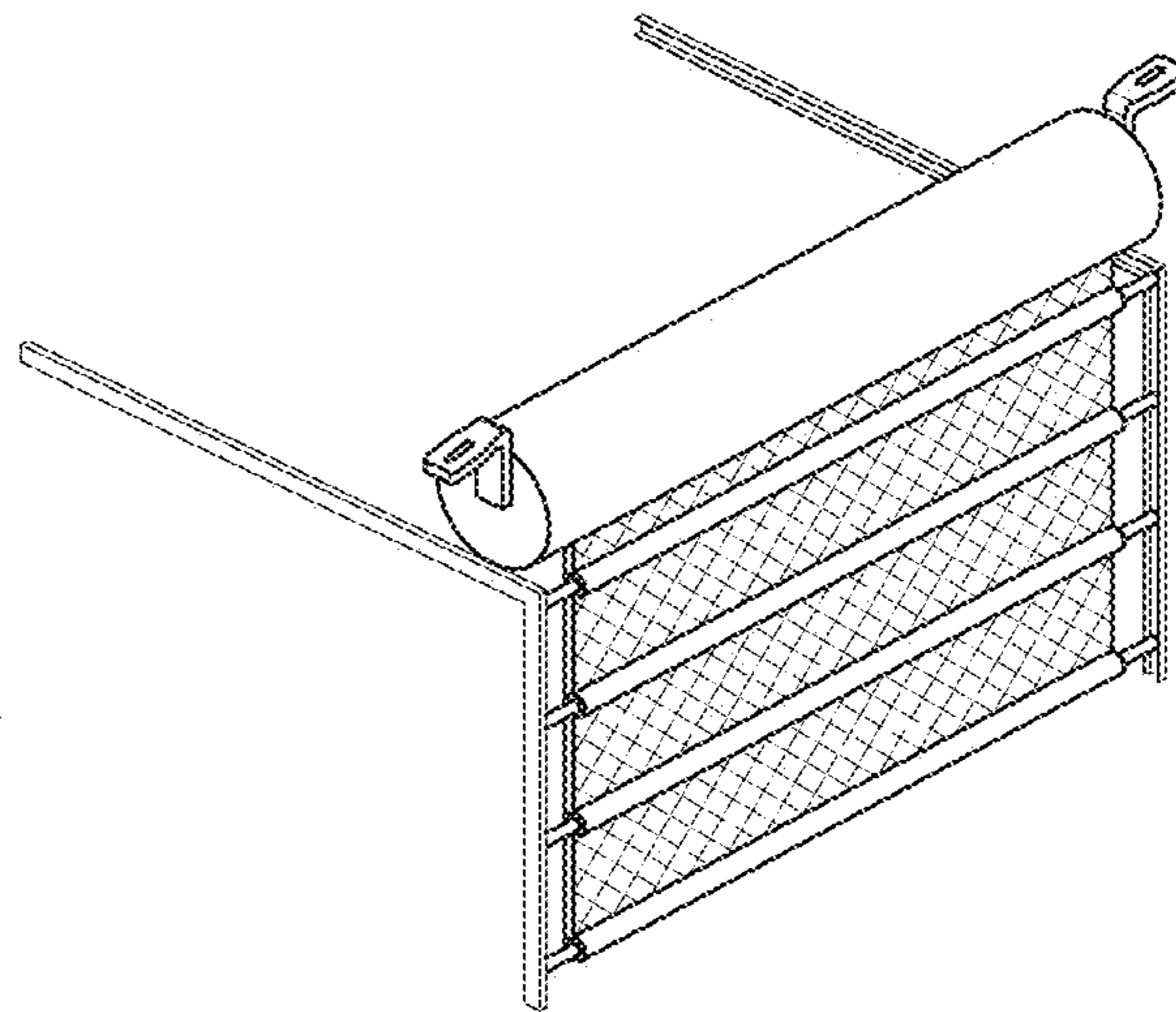


Fig. 2

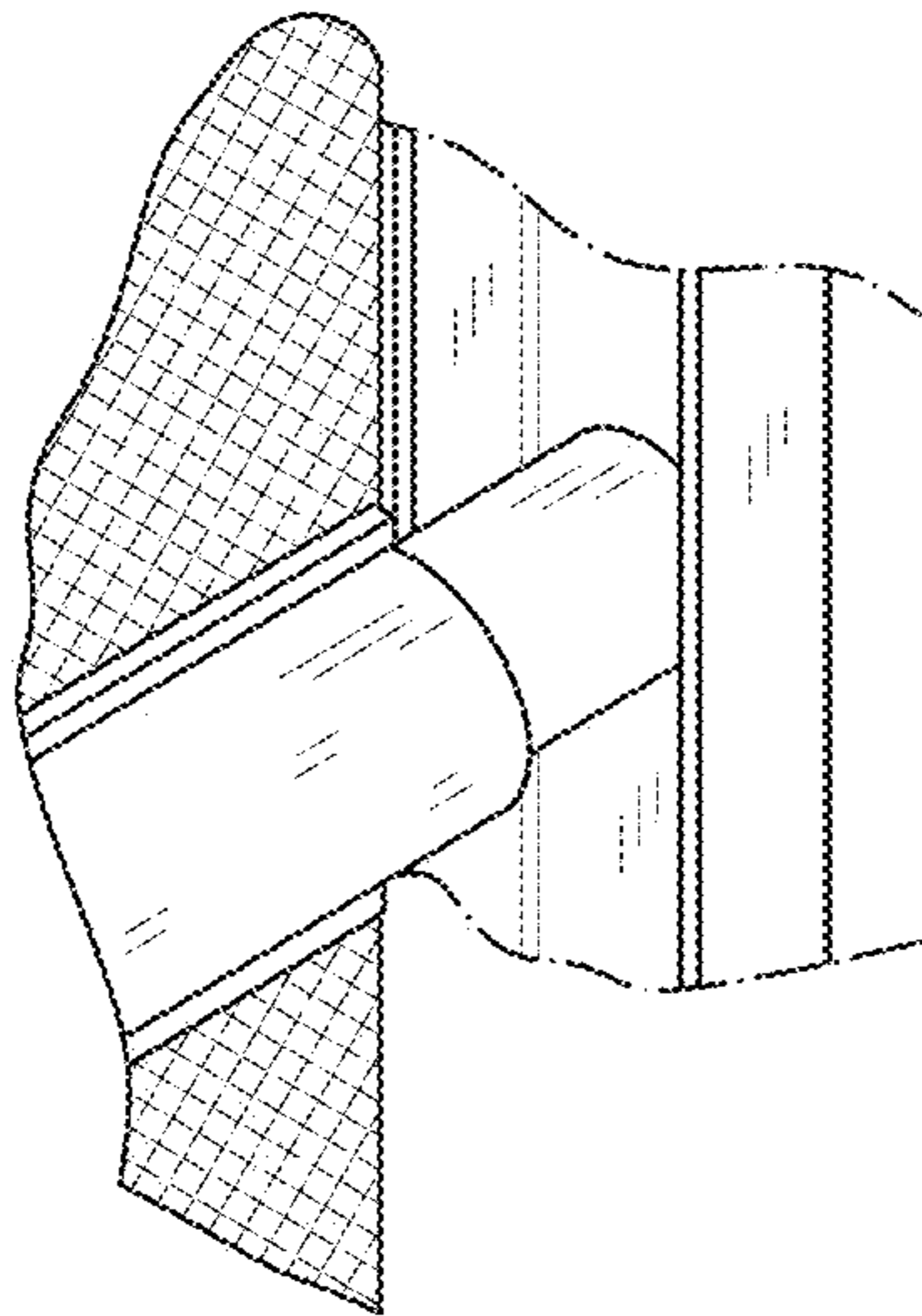


Fig. 3

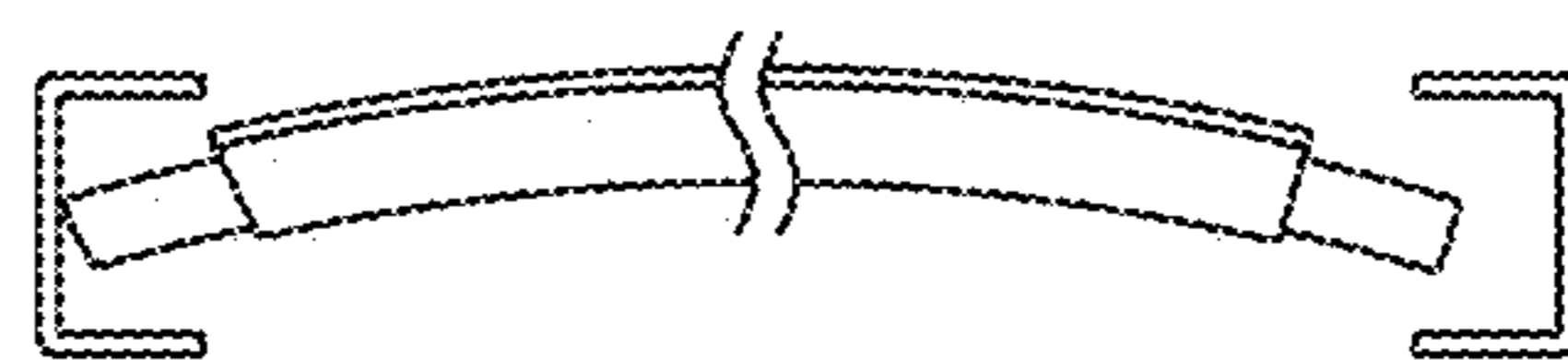


Fig. 4



Fig. 5