



US0D1027351S

(12) **United States Design Patent** (10) **Patent No.:** **US D1,027,351 S**
Berberet et al. (45) **Date of Patent:** **** May 14, 2024**

(54) **FOOD RECYCLER**

(71) Applicant: **WHIRLPOOL CORPORATION**,
Benton Harbor, MI (US)

(72) Inventors: **Suzanne Berberet**, St. Joseph, MI
(US); **Michael Kahwaji**, St. Joseph, MI
(US); **Ejung Kim**, St. Joseph, MI (US);
Michael Seeley, South Haven, MI (US)

(73) Assignee: **Whirlpool Corporation**, Benton
Harbor, MI (US)

(**) Term: **15 Years**

(21) Appl. No.: **29/811,168**

(22) Filed: **Oct. 12, 2021**

Related U.S. Application Data

(63) Continuation of application No. 29/753,150, filed on Sep. 30, 2020, now Pat. No. Des. 935,726, which is a continuation of application No. 29/668,364, filed on Oct. 30, 2018, now Pat. No. Des. 900,424, which is a continuation of application No. 29/591,677, filed on Jan. 23, 2017, now Pat. No. Des. 836,278, which is a continuation of application No. 15/220,490, filed on Jul. 27, 2016, now Pat. No. 9,895,726, and a continuation of application No. 15/220,510, filed on Jul. 27, 2016, now abandoned, and a continuation of application No. 15/172,200, filed on Jun. 3, 2016, now Pat. No. 10,513,468, and a continuation of application No. 15/158,660, filed on May 19, 2016, now Pat. No. 10,590,046, and a continuation of application No. 15/158,958, filed on May 19, 2016, now Pat. No. 10,501,381, and a continuation of application No. 15/065,004, filed on Mar. 9, 2016, now Pat. No. 10,047,018, and a continuation of
(Continued)

(51) **LOC (14) Cl.** **09-09**

(52) **U.S. Cl.**
USPC **D34/7**

(58) **Field of Classification Search**

USPC D34/1, 7, 8, 9, 10, 11
CPC B65F 2001/1669; B65F 7/00; B65F 1/163;
B65F 1/16; B65F 1/00; B65F 1/1638;
B65F 1/0033; B65F 1/122; B65F
2250/116; B65F 2250/12

See application file for complete search history.

(56) **References Cited**

U.S. PATENT DOCUMENTS

3,476,522 A 11/1969 Stovall
3,797,702 A 3/1974 Robertson
(Continued)

FOREIGN PATENT DOCUMENTS

AU 199714963 B2 9/1977
CA 2009437 C 12/2001
(Continued)

OTHER PUBLICATIONS

Hitachi Indoor Electric Composter at <http://ptsrainbowtalkstory.blogspot.com/2008/06/electric-composter-made-in-japan.html>, Jun. 9, 2008.

(Continued)

Primary Examiner — Cynthia Ramirez

(74) *Attorney, Agent, or Firm* — McGarry Bair PC

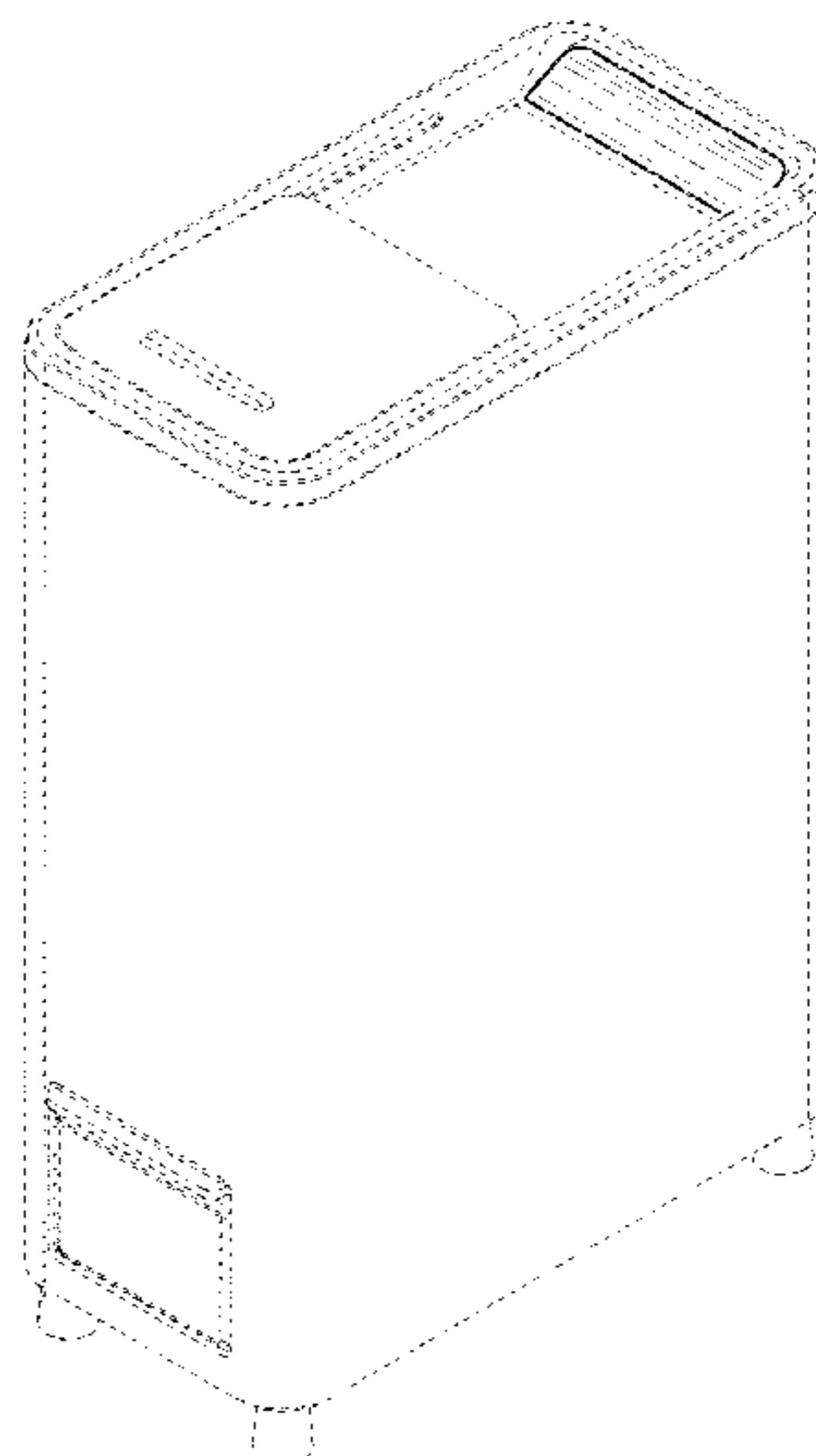
(57) **CLAIM**

The ornamental design for a food recycler, as shown and described.

DESCRIPTION

FIG. 1 is a top perspective view of a food recycler, showing my new design; and, FIG. 2 is a top view thereof. Portions of the food recycler shown in broken lines form no part of the claimed design.

1 Claim, 2 Drawing Sheets



Related U.S. Application Data

application No. 15/064,969, filed on Mar. 9, 2016,
now Pat. No. 10,000,429.

(56)

References Cited

U.S. PATENT DOCUMENTS

| | | | | |
|--------------|-----|---------|-----------------------|----------------------|
| D258,409 | S | 3/1981 | Nattrass | |
| 4,374,804 | A | 2/1983 | Easter, II | |
| D292,037 | S | 9/1987 | Hanifl | |
| 4,878,596 | A | 11/1989 | Cawley et al. | |
| 5,123,600 | A | 6/1992 | Takenaka | |
| 5,174,042 | A | 12/1992 | Tomizawa et al. | |
| D355,740 | S | 2/1995 | Kirchner | |
| 5,534,042 | A | 7/1996 | Tsuchida | |
| 5,587,320 | A | 12/1996 | Shindo et al. | |
| 5,710,042 | A | 1/1998 | Shindo et al. | |
| 5,766,935 | A | 6/1998 | Seagren | |
| 5,775,579 | A | 7/1998 | Kardum et al. | |
| 5,955,161 | A | 9/1999 | Tropsha | |
| 6,165,566 | A | 12/2000 | Tropsha | |
| 6,284,528 | B1 | 9/2001 | Wright | |
| 6,399,366 | B1 | 6/2002 | Seagren | |
| 6,431,744 | B1 | 8/2002 | Ash et al. | |
| 6,627,434 | B1 | 9/2003 | McNelly | |
| 7,131,765 | B2 | 11/2006 | Backhaus | |
| D534,702 | S | 1/2007 | Wang et al. | |
| 7,422,022 | B2 | 9/2008 | Maunsell et al. | |
| D580,613 | S | 11/2008 | Yang et al. | |
| 7,611,891 | B2 | 11/2009 | Sundberg | |
| 7,621,472 | B2 | 11/2009 | Manu | |
| D634,911 | S | 3/2011 | Yang et al. | |
| 8,129,177 | B2 | 3/2012 | Cohn | |
| D658,839 | S | 5/2012 | Cohn | |
| D675,802 | S | 2/2013 | Yang et al. | |
| D680,292 | S | 4/2013 | Liao | |
| 8,561,314 | B2 | 10/2013 | Kruger | |
| D729,485 | S | 5/2015 | Yang et al. | |
| D730,007 | S | 5/2015 | Machen | |
| D739,109 | S | 9/2015 | Becham | |
| D790,145 | S | 6/2017 | Chen | |
| D792,673 | S | 7/2017 | Lloyd et al. | |
| D796,766 | S | 9/2017 | Chen | |
| D796,767 | S | 9/2017 | Chen | |
| 9,895,726 | B1 | 2/2018 | Atkinson et al. | |
| D819,915 | S | 6/2018 | Papari et al. | |
| 10,000,429 | B2 | 6/2018 | Maghas et al. | |
| D836,278 | S | 12/2018 | Berberet et al. | |
| D900,424 | S | 10/2020 | Berberet et al. | |
| D935,726 | S * | 11/2021 | Berberet | C05F 17/986 D34/7 |
| 2002/0190615 | A1 | 12/2002 | Lin | |
| 2003/0062065 | A1 | 4/2003 | Lachawiec, Jr. et al. | |
| 2005/0061044 | A1 | 3/2005 | Cruson et al. | |
| 2005/0115595 | A1 | 6/2005 | Cerruti et al. | |
| 2008/0115813 | A1 | 5/2008 | Cosgrove | |
| 2009/0194532 | A1 | 8/2009 | Yang et al. | |
| 2009/0230131 | A1 | 9/2009 | McDuffie et al. | |
| 2010/0176128 | A1 | 7/2010 | Nance | |
| 2011/0207218 | A1 | 8/2011 | Staheli et al. | |
| 2012/0285209 | A1 | 11/2012 | Bassile | |
| 2013/0008991 | A1 | 4/2013 | Atkinson | |
| 2013/0089918 | A1 | 4/2013 | Atkinson | |
| 2013/0206020 | A1 | 8/2013 | Iacobucci | |

| | | | |
|--------------|----|---------|-----------------|
| 2015/0031123 | A1 | 1/2015 | Delgado et al. |
| 2016/0178278 | A1 | 6/2016 | Chang et al. |
| 2016/0207845 | A1 | 7/2016 | Delgado et al. |
| 2017/0260108 | A1 | 9/2017 | Koh |
| 2017/0260111 | A1 | 9/2017 | Maghas et al. |
| 2017/0334800 | A1 | 11/2017 | Buzruk et al. |
| 2018/0029091 | A1 | 2/2018 | Atkinson et al. |

FOREIGN PATENT DOCUMENTS

| | | | |
|----|-------------|----|---------|
| CA | 2614940 | A1 | 6/2009 |
| CN | 201447432 | U | 5/2010 |
| CN | 204325160 | U | 5/2015 |
| CN | 204355578 | U | 5/2015 |
| CN | 204999819 | U | 1/2016 |
| DE | 7417538 | U | 3/1974 |
| DE | 2947297 | A1 | 5/1981 |
| DE | 9300127 | U1 | 6/1993 |
| DE | 4208390 | A1 | 9/1993 |
| DE | 19750908 | A1 | 5/1999 |
| DE | 19803374 | A1 | 8/1999 |
| EP | 0103753 | A2 | 3/1984 |
| EP | 0296645 | A1 | 12/1988 |
| EP | 0394729 | A2 | 10/1990 |
| EP | 1468977 | A1 | 10/2004 |
| GB | 2119287 | A | 11/1983 |
| GB | 2252898 | A | 8/1992 |
| GB | 2484409 | A | 4/2012 |
| JP | 53101862 | | 9/1978 |
| JP | 0731835 | A | 2/1995 |
| JP | 1111603 | A | 1/1999 |
| JP | 11137352 | A | 5/1999 |
| JP | 2009274049 | A | 11/2009 |
| KR | 20090075306 | A | 7/2009 |
| KR | 20100025519 | A | 3/2010 |
| KR | 20110073656 | A | 6/2011 |
| WO | 9429241 | | 12/1994 |
| WO | 0140140 | A1 | 6/2001 |
| WO | 2008150059 | A1 | 12/2008 |
| WO | 2010090537 | A2 | 8/2010 |
| WO | 2013163168 | A1 | 10/2013 |
| WO | 2014198795 | A1 | 12/2014 |

OTHER PUBLICATIONS

Panasonic Kitchen Composter at <http://www.insideurbangreen.org/2009/03/kitchen-composters-.html>, Mar. 20, 2009.

European Search Report for Counterpart EP17157258.9, dated Jul. 12, 2017.

European Search Report for Counterpart EP17159966.5, dated Oct. 10, 2017.

European Search Report for Counterpart EP17159965.7, dated Oct. 11, 2017.

European Search Report for Counterpart EP17171619.4, dated Nov. 15, 2017.

European Search Report for Counterpart EP17160443.2, dated Aug. 23, 2017.

Machine Translation of Application No. IN1140/KOL/2015A, Method for the Sterilization of Foodstuffs, Especially for Spices, the Patent Office Journal, Publication date Aug. 26, 2016, pp. 1-11.

Google Search, Zera Food Recycler, Jun. 28, 2021, <https://wlabsonnovations.com/products/zera-food-recycler> (Year: 2021).

* cited by examiner

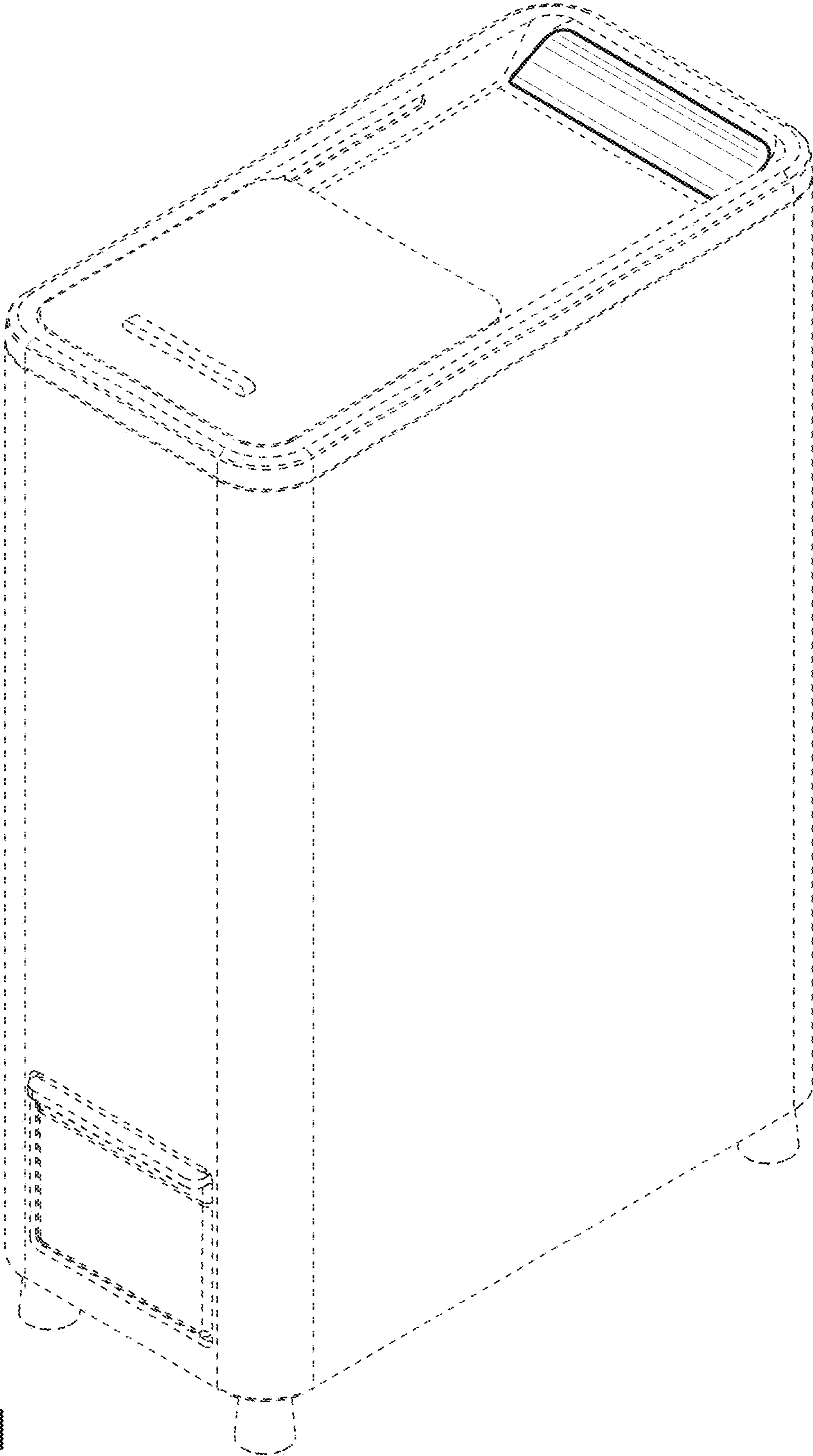


FIG. 1

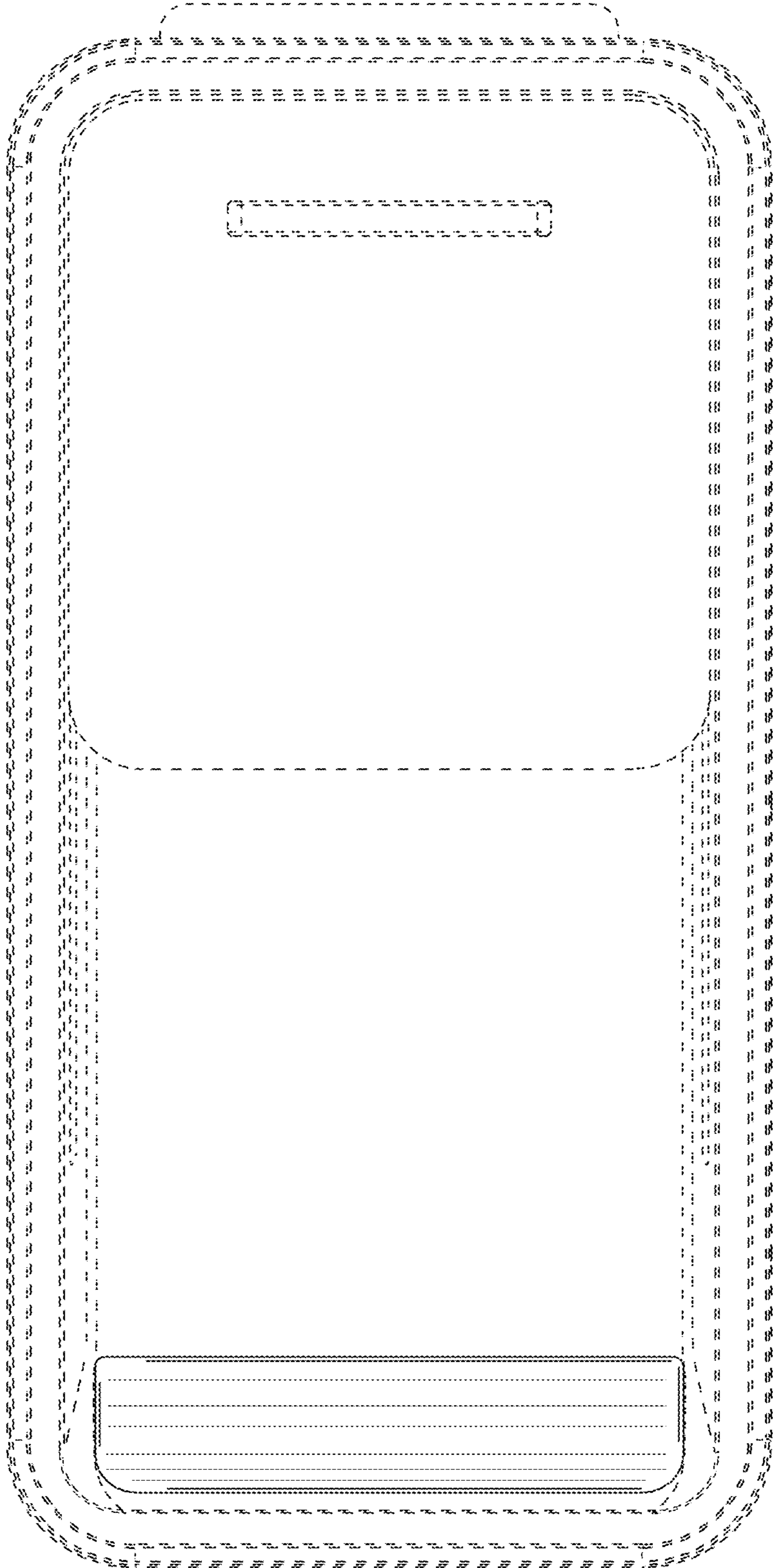


FIG. 2