



US0D1027331S

(12) **United States Design Patent** (10) **Patent No.:** **US D1,027,331 S**
Michaelson (45) **Date of Patent:** **** May 14, 2024**

(54) **HOOF PICK**

(71) Applicant: **HandsOn Equine, LLC**, Mansfield, TX (US)

(72) Inventor: **Jay Michaelson**, Mansfield, TX (US)

(73) Assignee: **HandsOn Equine, LLC**, Mansfield, TX (US)

(**) Term: **15 Years**

(21) Appl. No.: **29/791,726**

(22) Filed: **Feb. 2, 2022**

(51) **LOC (14) Cl.** **30-99**

(52) **U.S. Cl.**
USPC **D30/158**

(58) **Field of Classification Search**
USPC D30/158, 159, 199; 119/632, 633
CPC A01L 15/00; A01L 11/00; A01K 13/00
See application file for complete search history.

(56) **References Cited**

U.S. PATENT DOCUMENTS

D177,779 S *	5/1956	Turner	D8/358
D270,104 S *	8/1983	Jensen	168/48.2
D345,825 S *	4/1994	Arnold	D30/158
D381,474 S *	7/1997	Dalton	D30/158
D443,396 S *	6/2001	Bison	D30/158
D488,592 S *	4/2004	Flint	D30/199
D690,476 S *	9/2013	Noel	D30/158
D698,504 S *	1/2014	Glunz	D30/158

D888,349 S *	6/2020	Yoo	D30/158
D958,631 S *	7/2022	Salin	D30/158
2020/0229419 A1 *	7/2020	Jemail	A01L 11/00

OTHER PUBLICATIONS

“Handson Hoof Pick” available Dec. 29, 2022, [online], [site visited Sep. 8, 2023]. Retrieved from Internet, URL:https://www.amazon.com/Handson-Hoof-Pick-Cleaning-Ergonomic/dp/B0BRBR7WYZ (Year: 2022).*

* cited by examiner

Primary Examiner — Katrina N Gonzalez

(74) *Attorney, Agent, or Firm* — FisherBroyles, LLP; Ian R. Walsworth; Craig W. Mueller

(57) **CLAIM**

The ornamental design for a hoof pick, as shown and described.

DESCRIPTION

FIG. 1 is a top perspective view of a hoof pick showing the new design;

FIG. 2 is a bottom perspective view thereof;

FIG. 3 is a front elevation view thereof;

FIG. 4 is a rear elevation view thereof;

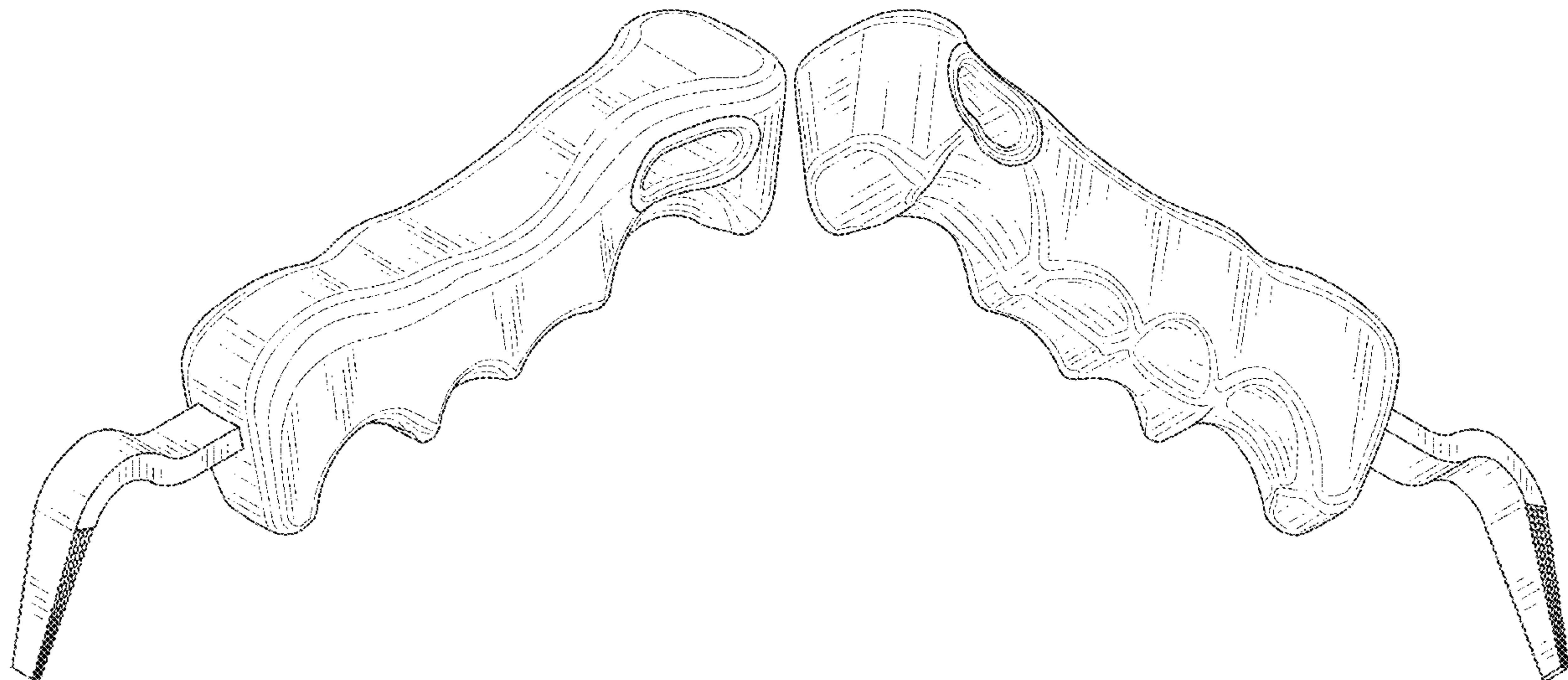
FIG. 5 is a right elevation view thereof;

FIG. 6 is a left elevation view thereof;

FIG. 7 is a top plan view thereof; and,

FIG. 8 is a bottom plan view thereof.

1 Claim, 7 Drawing Sheets



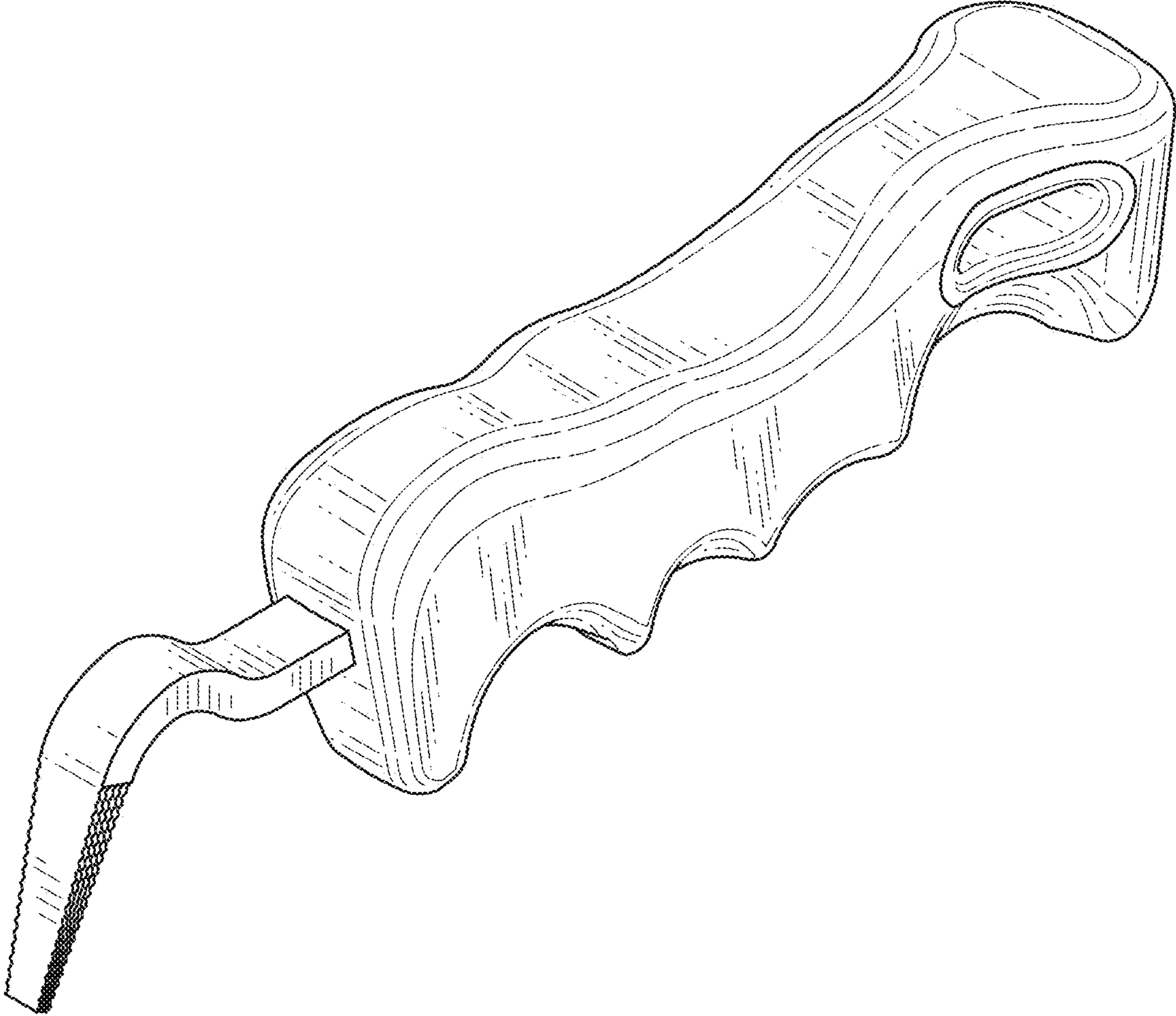


FIG.1

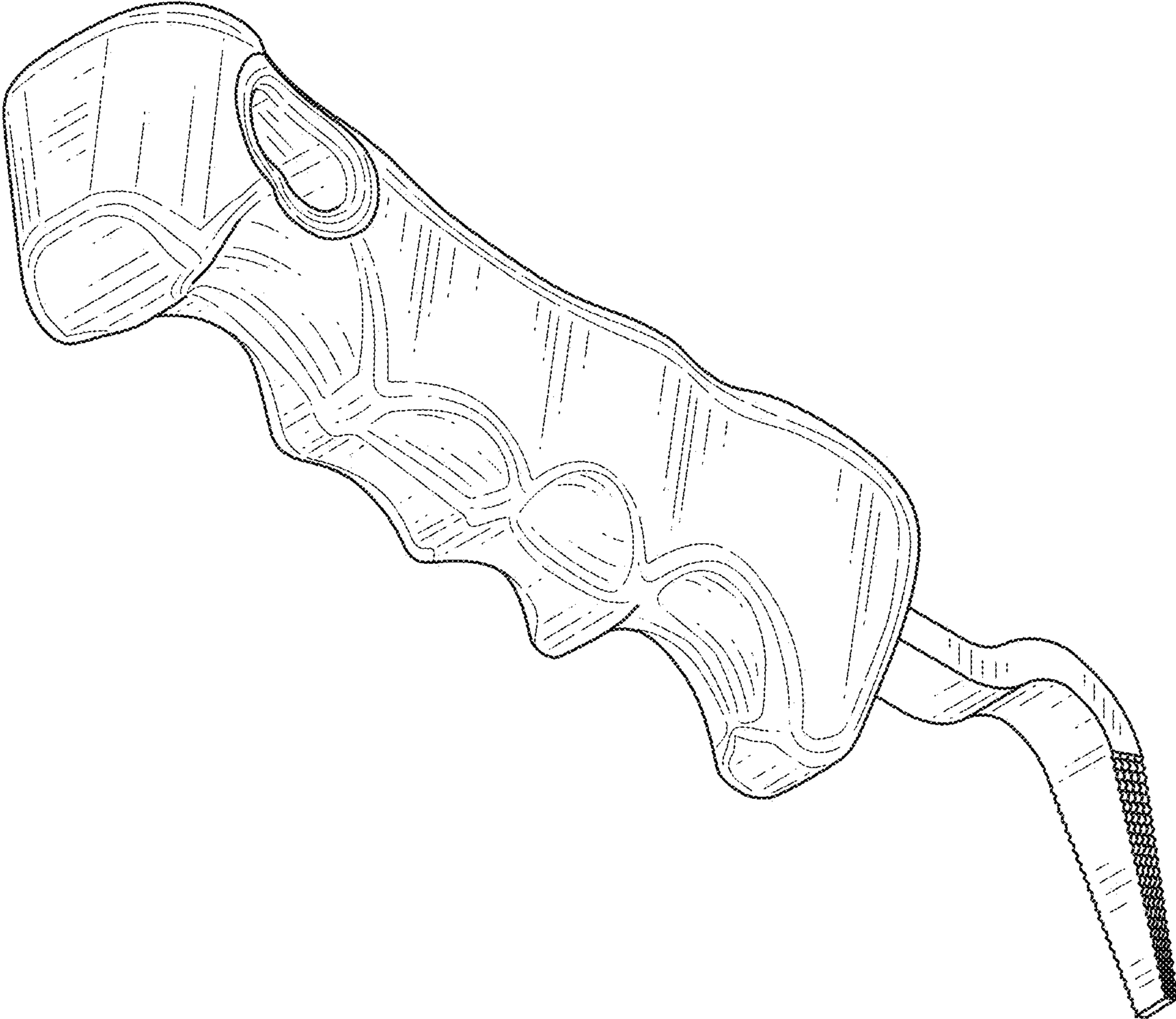


FIG.2

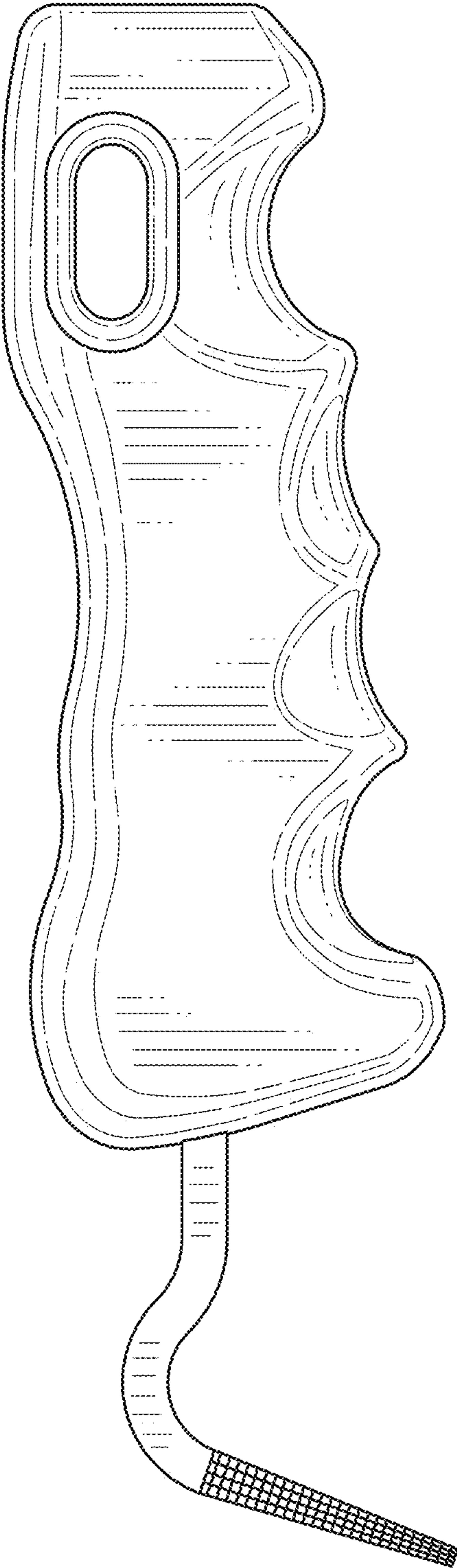


FIG.3

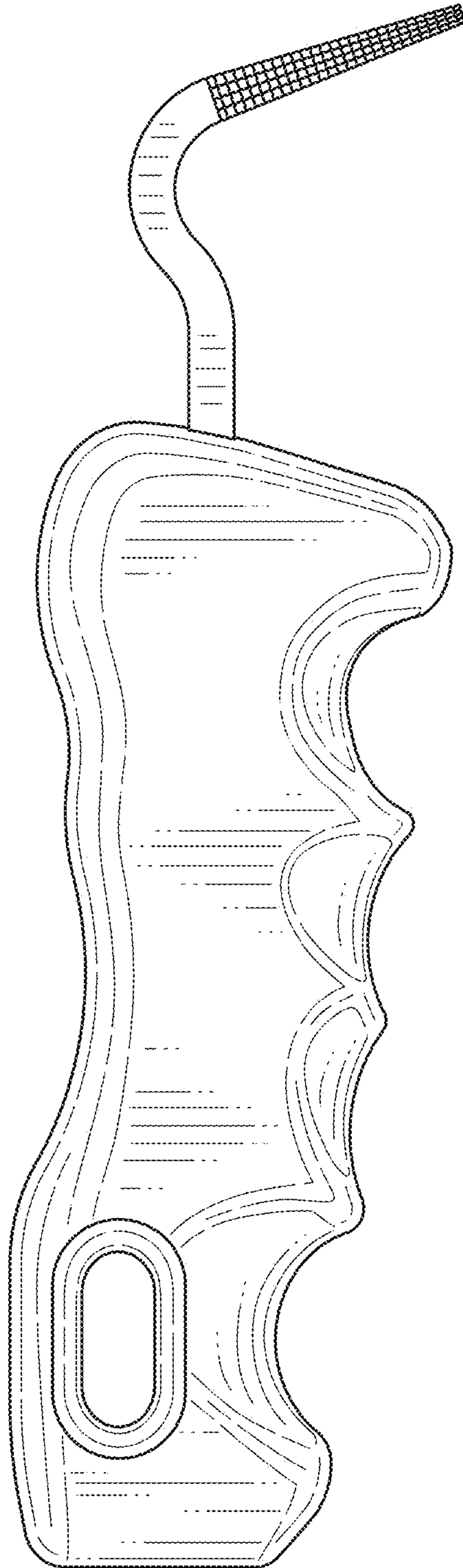


FIG.4

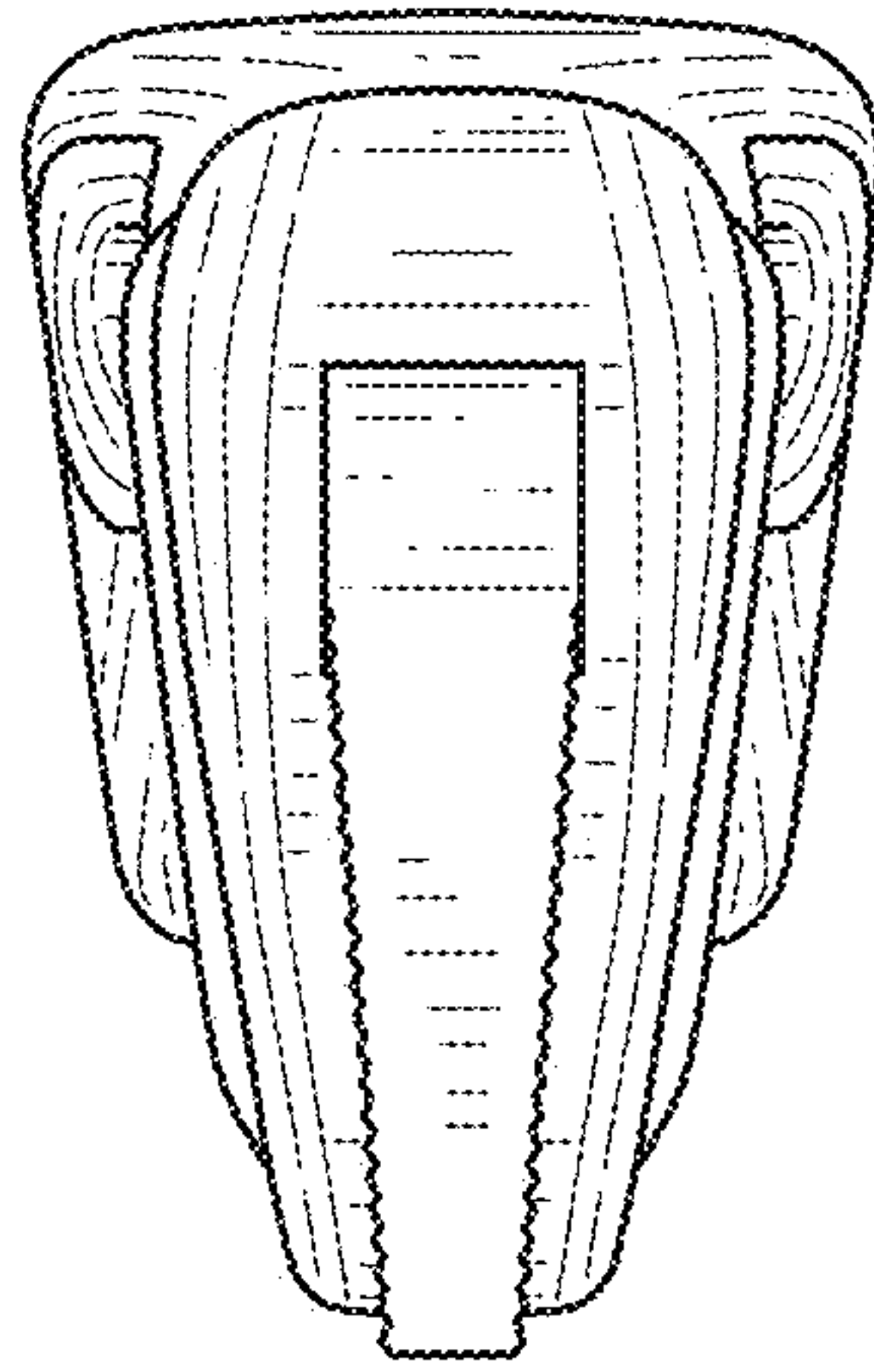


FIG. 5

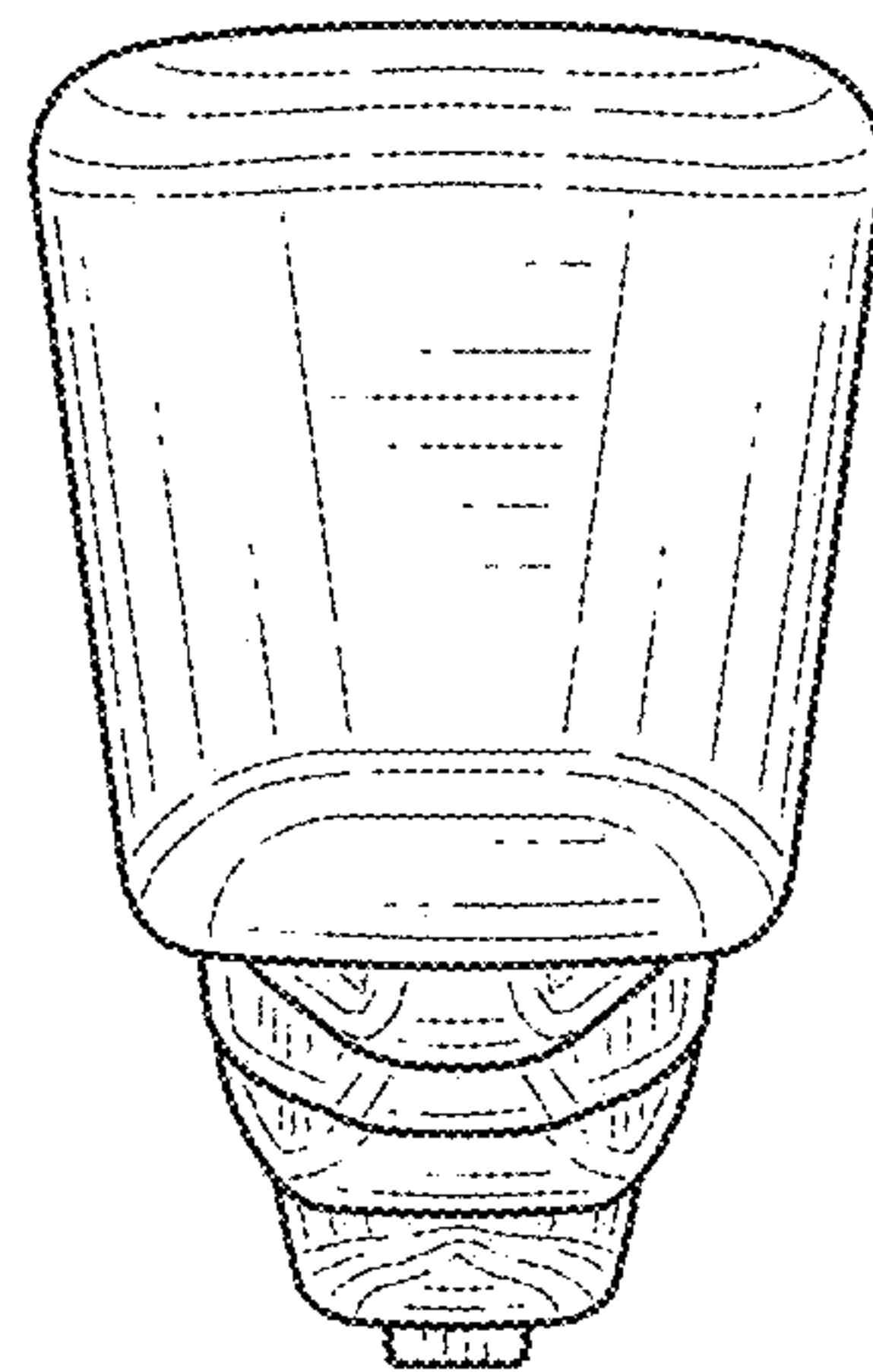


FIG. 6

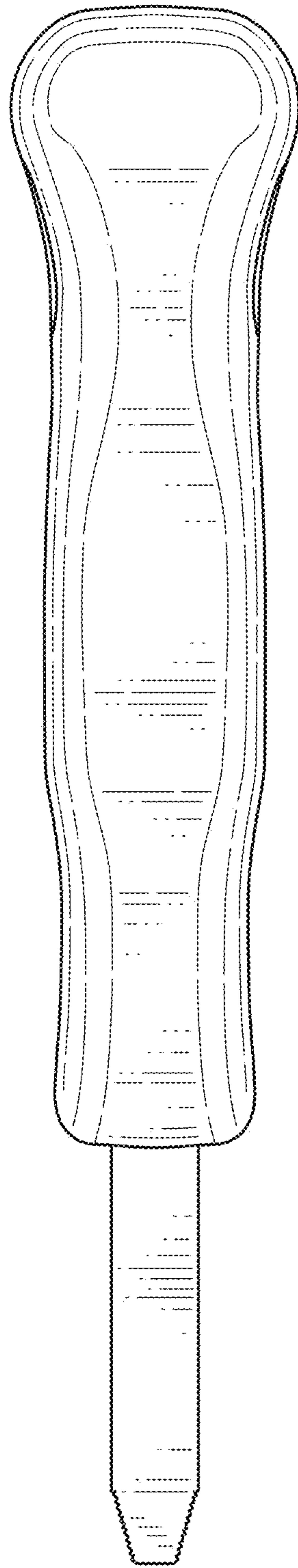


FIG. 7

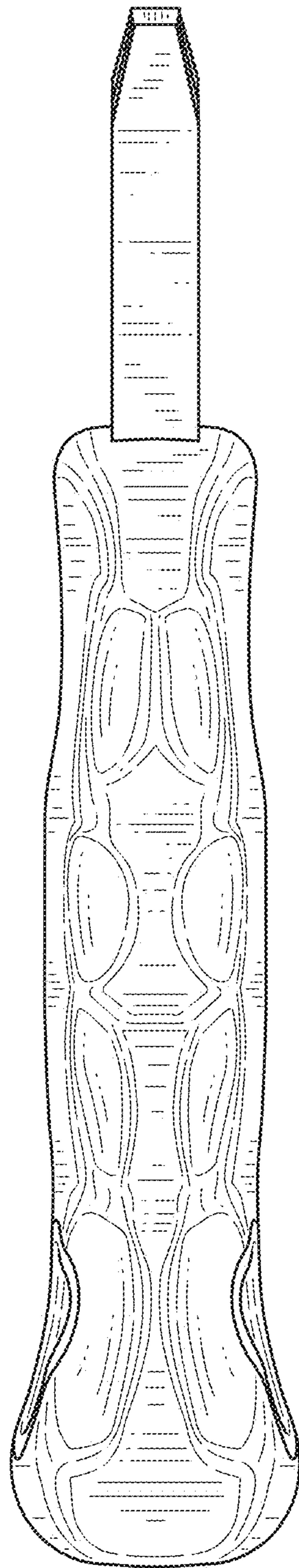


FIG.8