



US0D1027325S

(12) **United States Design Patent** (10) **Patent No.: US D1,027,325 S**
Pan (45) **Date of Patent: ** May 14, 2024**

(54) **PET COAT WITH COLLAR AND CHEST PAD**

FOREIGN PATENT DOCUMENTS

(71) Applicant: **Min Pan**, Hangzhou (CN)

CN 307596470 * 10/2022

(72) Inventor: **Min Pan**, Hangzhou (CN)

OTHER PUBLICATIONS

(**) Term: **15 Years**

Vivaglory Dog Cold Weather Coats, available in Amazon.co.uk, date first available Oct. 9, 2022 [online], [site visited Apr. 18, 2023], Available from the internet URL: https://www.amazon.co.uk/VIVAGLORY-Apparel-Weather-Reflective-Windproof/dp/B0BHQZ154C?ref_ast_sto_dp&th=1 (Year: 2022).*

(21) Appl. No.: **29/790,886**

(Continued)

(22) Filed: **Dec. 20, 2021**

(51) **LOC (14) Cl.** **30-01**

(52) **U.S. Cl.**
USPC **D30/145**

(58) **Field of Classification Search**

USPC D2/829; D21/804-806; D29/101.1, D29/101.3, 101.4; D30/144, 145, 151, D30/152, 199
CPC A01K 13/00; A01K 13/006; A01K 13/008; A01K 27/002; A01K 27/008; A01K 1/0263; A41B 13/08; A61D 9/00

See application file for complete search history.

Primary Examiner — Vy N Koenig
Assistant Examiner — Elizabeth Anne Glassberg
(74) *Attorney, Agent, or Firm* — Fogarty LLP

(57) **CLAIM**

The ornamental design for a pet coat with collar and chest pad, as shown and described.

DESCRIPTION

(56) **References Cited**

U.S. PATENT DOCUMENTS

3,248,852 A * 5/1966 Schwartz A01K 13/006
54/79.1
D379,687 S * 6/1997 Curtis D30/144
D397,533 S * 8/1998 Lidis D30/145
D457,276 S * 5/2002 Lidis D30/145
D470,275 S * 2/2003 Lidis D30/145
6,584,939 B1 * 7/2003 Brezinski A01K 13/008
D30/145
D479,896 S * 9/2003 Wilson D30/145
D486,275 S * 2/2004 Grubb D30/145
D526,452 S * 8/2006 Crain D30/145
D591,460 S * 4/2009 deCarvalho D30/145
D633,257 S * 2/2011 Trias D30/152
D679,872 S * 4/2013 Rissanen D30/144
D777,995 S * 1/2017 Thitz D30/145
10,517,270 B2 * 12/2019 Gilbert A01K 13/008

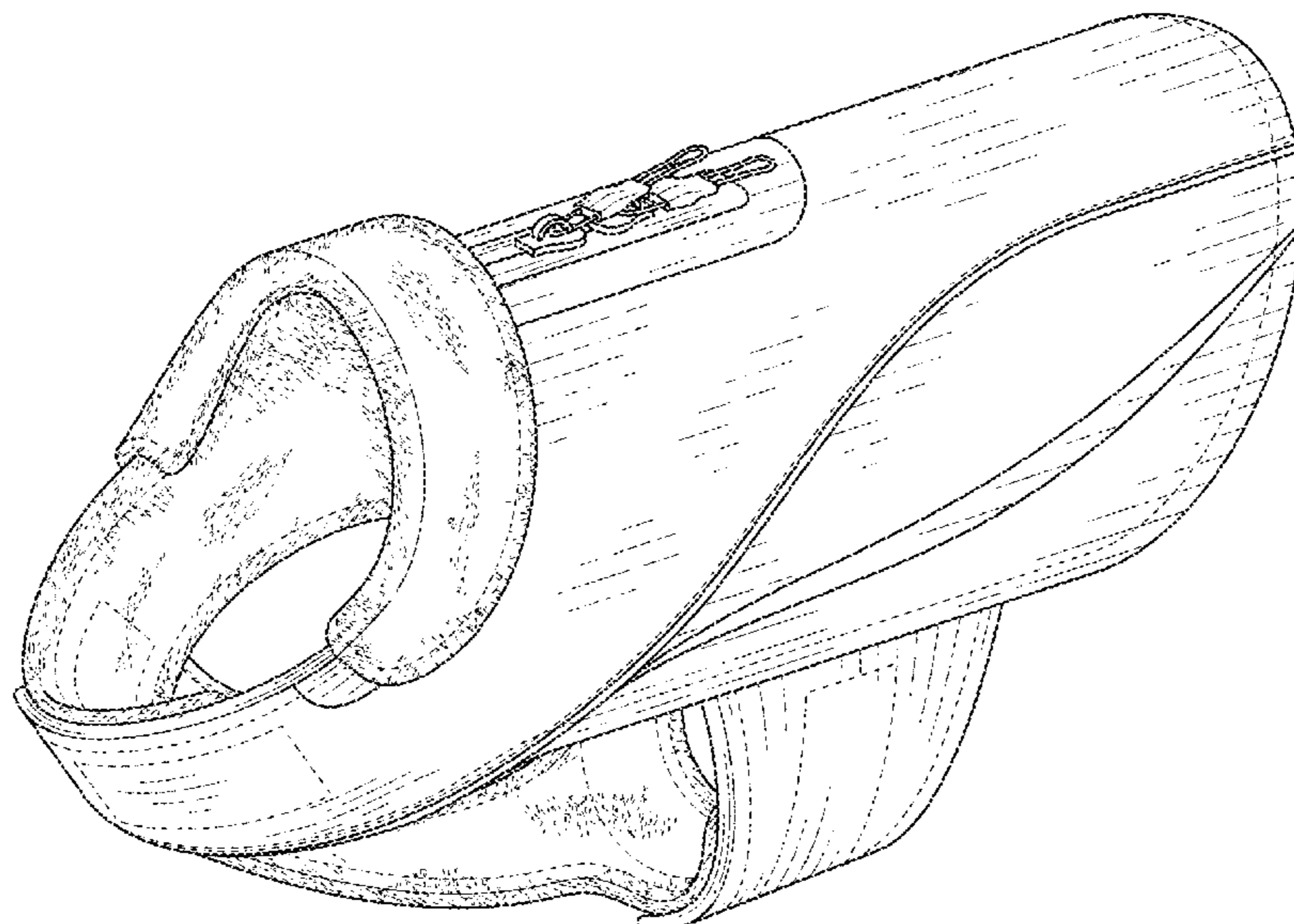
(Continued)

FIG. 1 is a perspective view of a pet coat with collar and chest pad, showing my new design;
FIG. 2 is a front elevation view thereof;
FIG. 3 is a rear elevation view thereof;
FIG. 4 is a right-side elevation view thereof;
FIG. 5 is a left-side elevation view thereof;
FIG. 6 is a top plan view thereof;
FIG. 7 is a bottom plan view thereof;
FIG. 8 is a top plan view thereof, shown in a flat configuration; and,
FIG. 9 is a bottom plan view thereof.

The drawings are shaded to indicate different materials. The stippling on the collar and the inside surface of the jacket represents a material (e.g., fleece or fur) differing from the outside surface material of the jacket.

The broken lines depict stitching forms no part of the claimed design.

1 Claim, 6 Drawing Sheets



(56)

References Cited

U.S. PATENT DOCUMENTS

D929,050 S * 8/2021 Shen D30/145
D952,960 S * 5/2022 Wang D30/145
2013/0276719 A1* 10/2013 Ferrando A01K 13/008
119/850
2017/0172107 A1* 6/2017 Quintana A01K 13/006

OTHER PUBLICATIONS

Lautus Waterproof Fleece Dog Winter Coat, available in Amazon.co.uk, date first available Jan. 23, 2021 [online], [site visited Apr. 18, 2023], Available from the internet URL: <https://www.amazon.co.uk/Lautus-Pets-Winter-Rain-Coat/dp/B08LT3VWHP?th=1> (Year: 2021).*

* cited by examiner

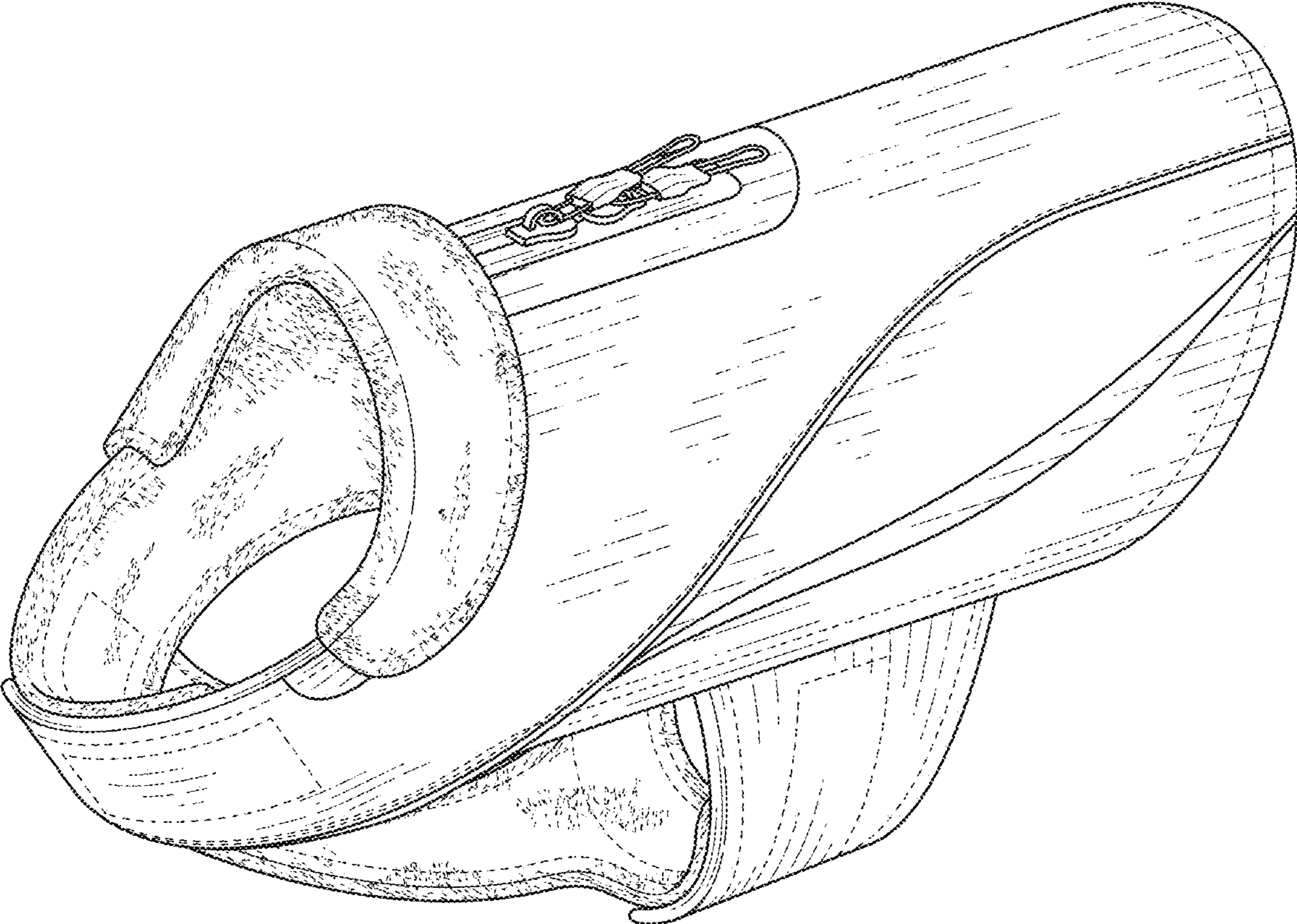


FIG. 1

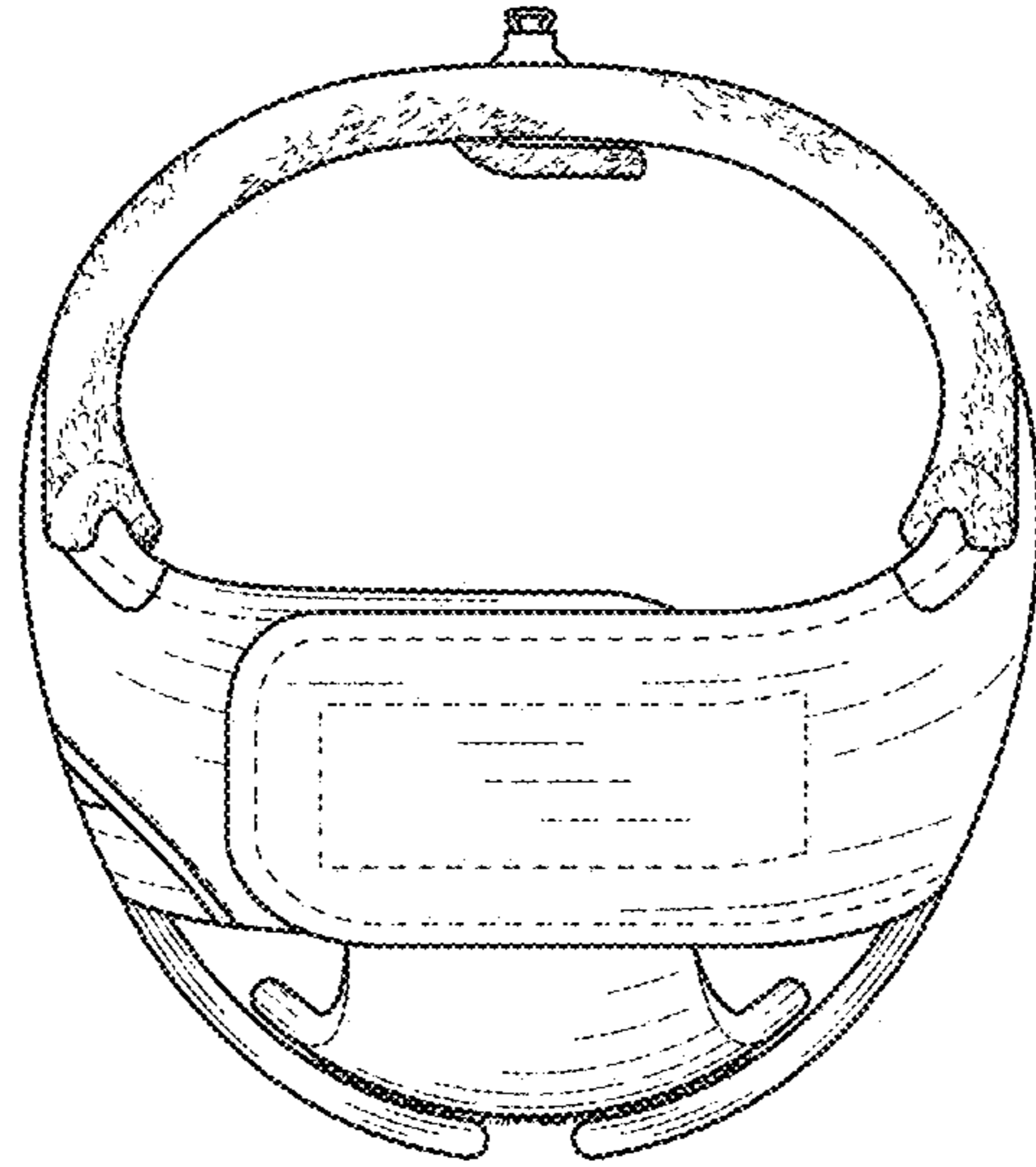


FIG. 2

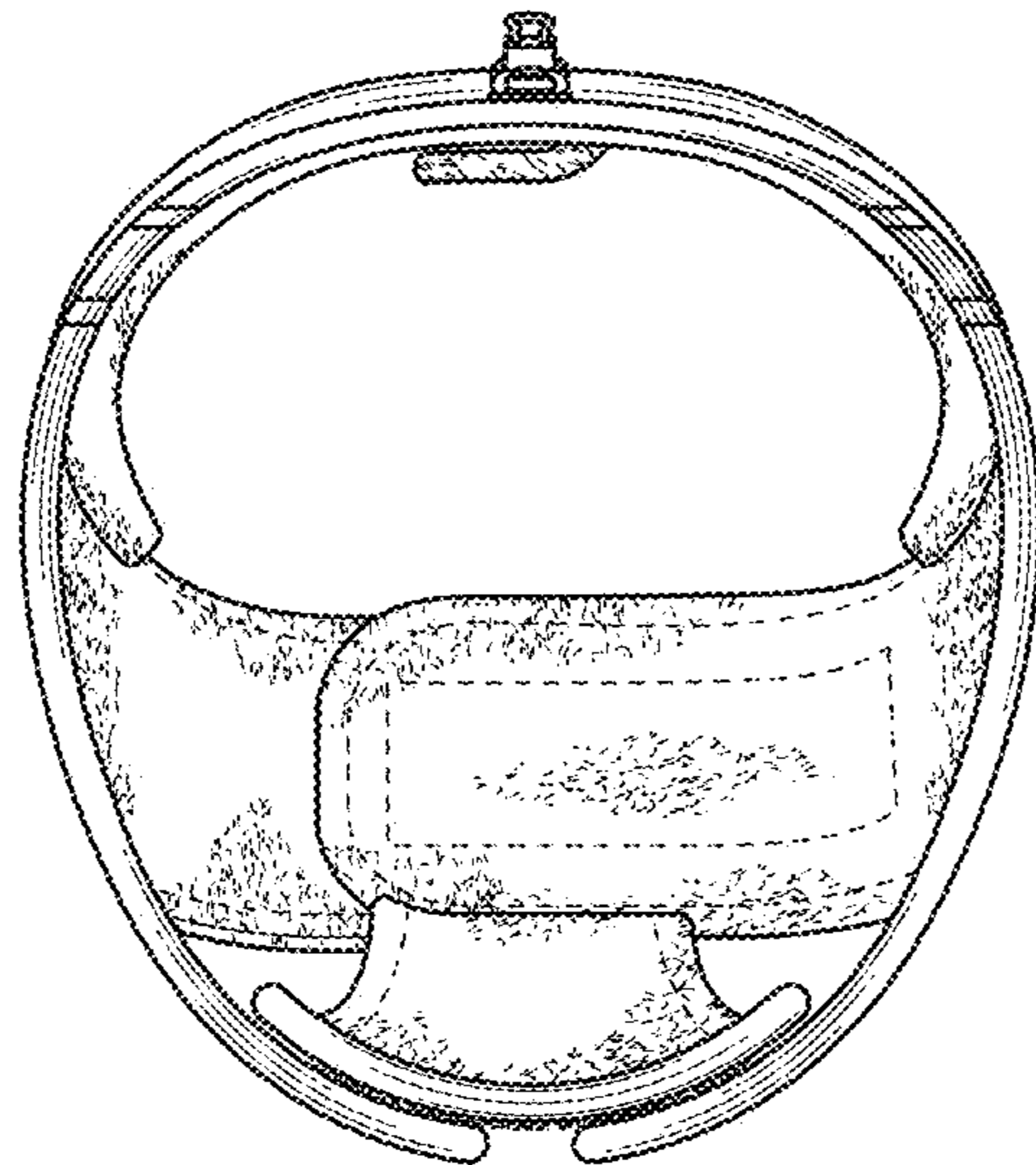


FIG. 3

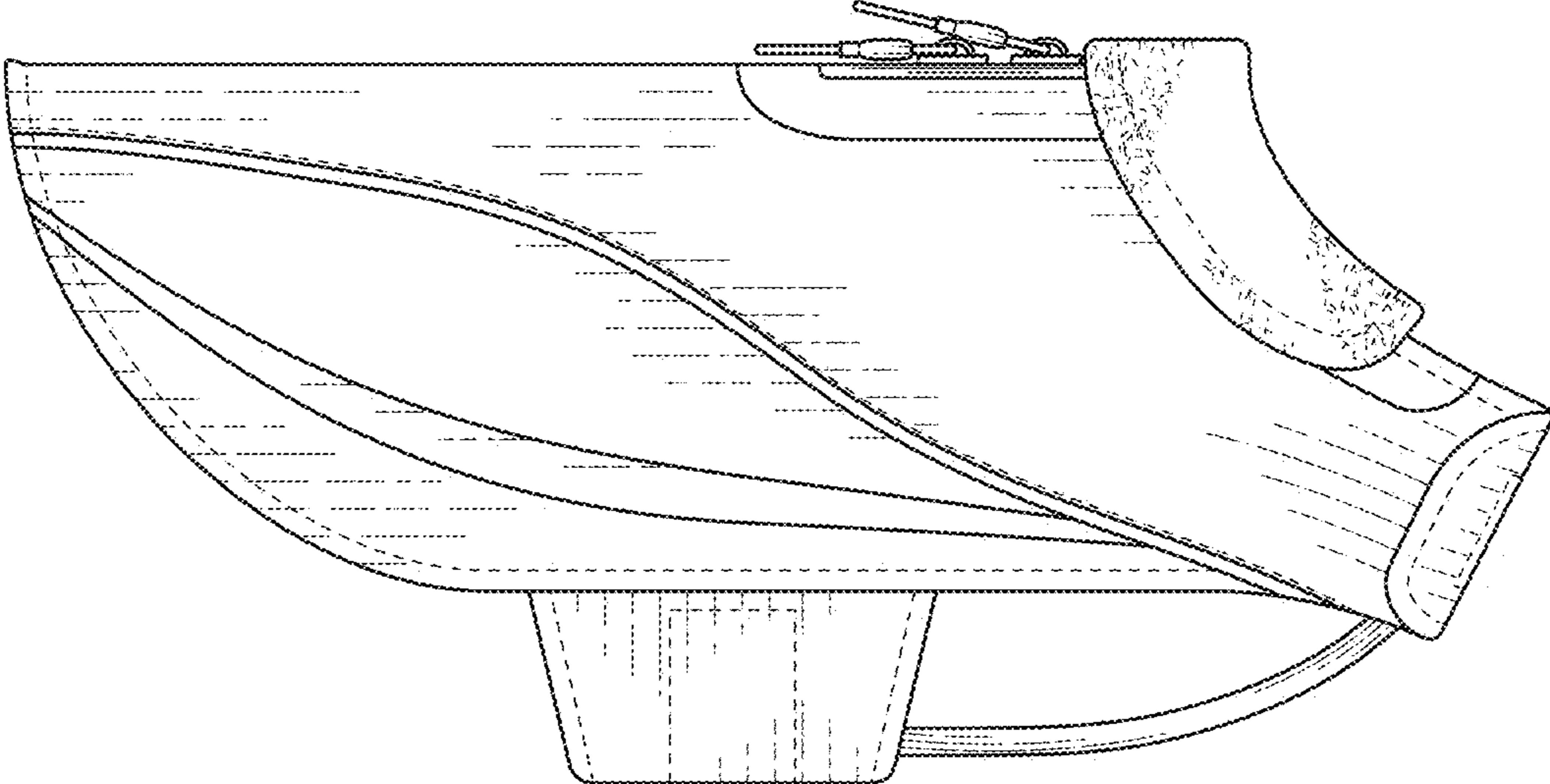


FIG. 4

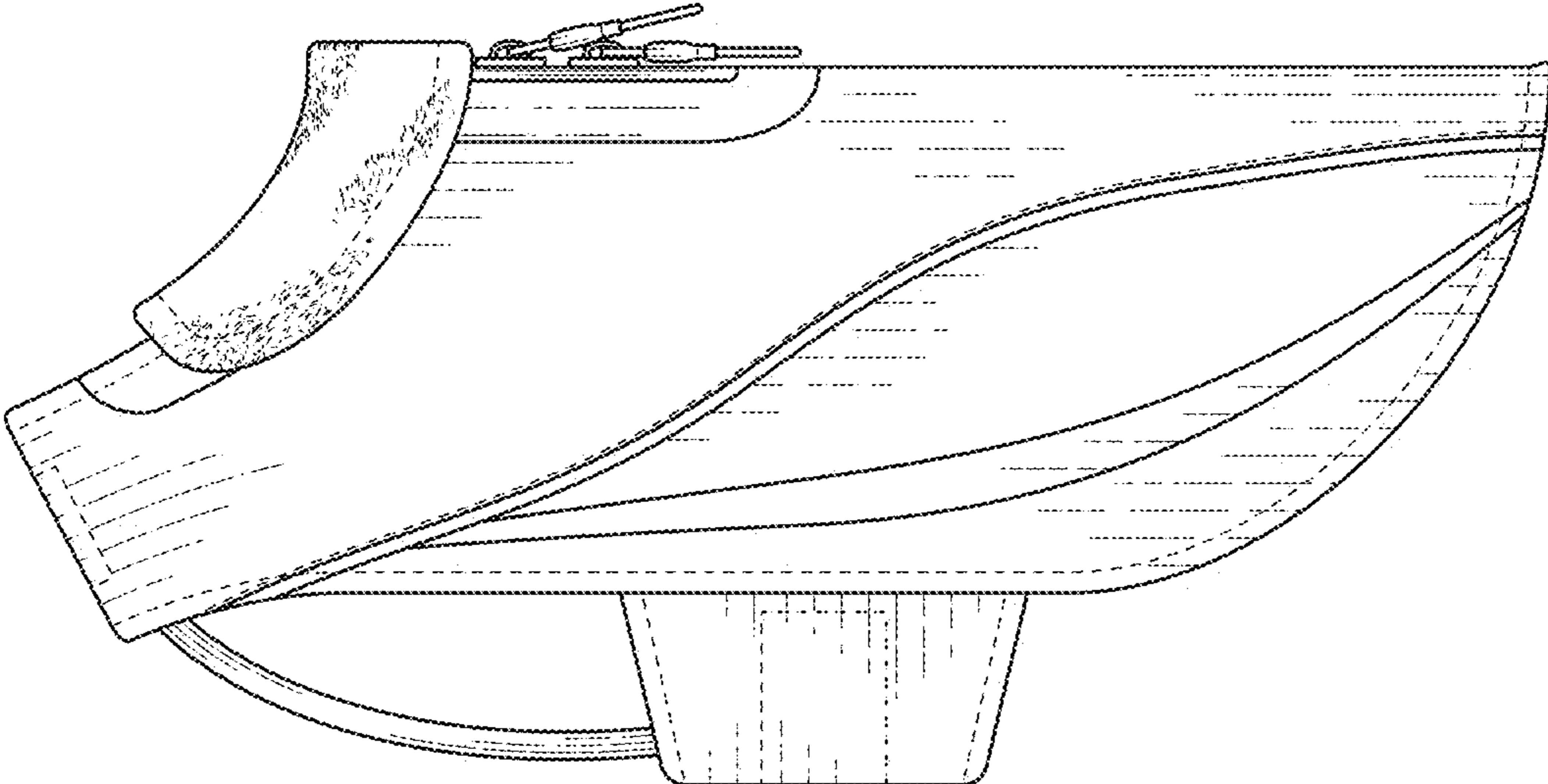


FIG. 5

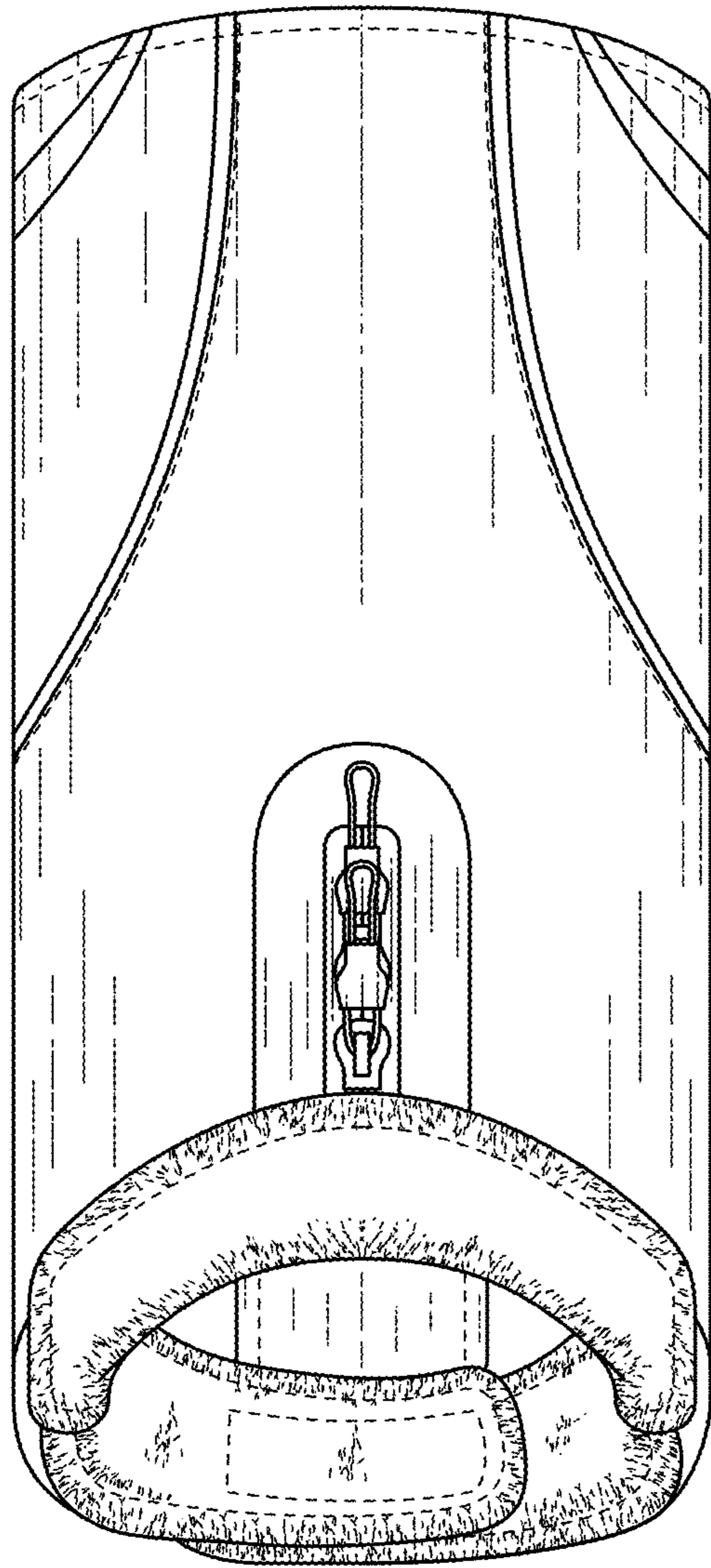


FIG. 6

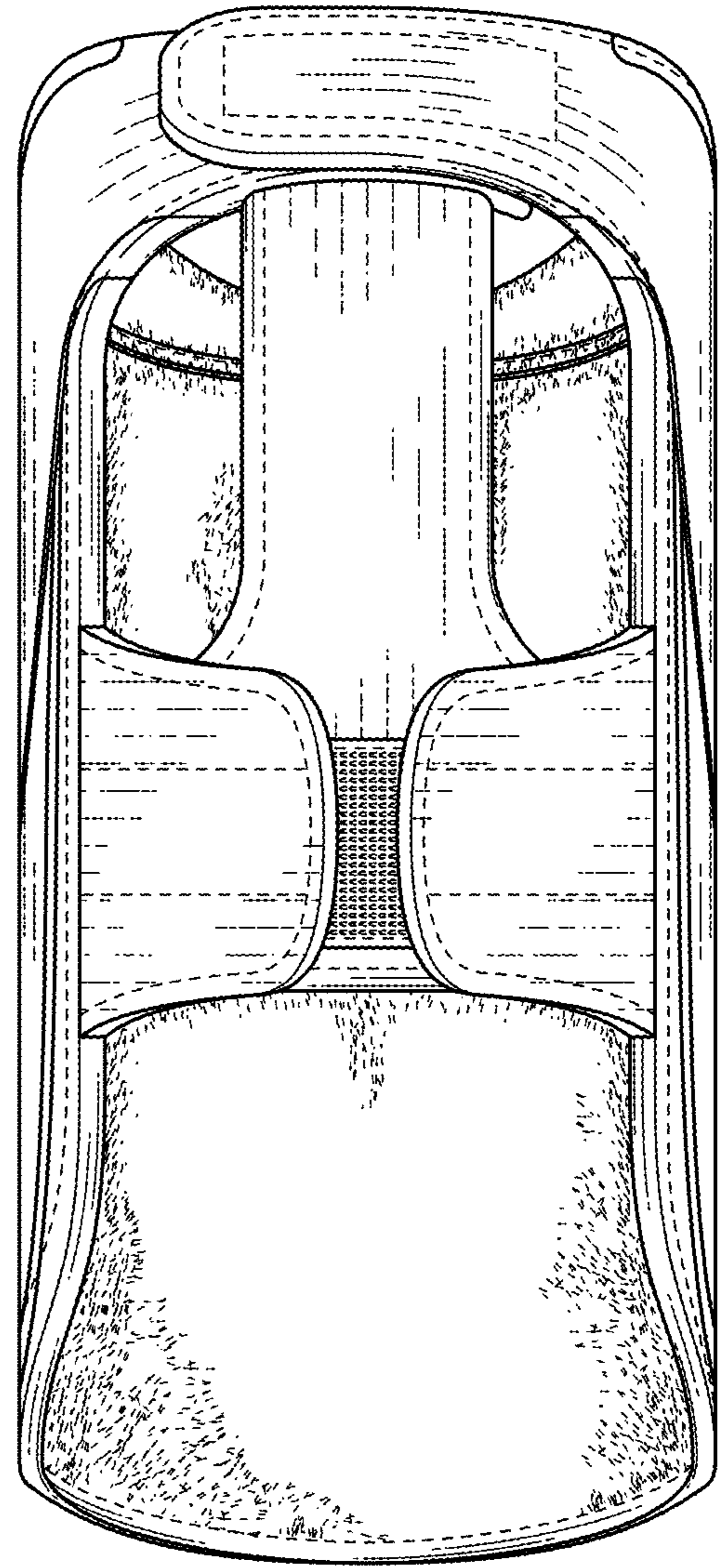


FIG. 7

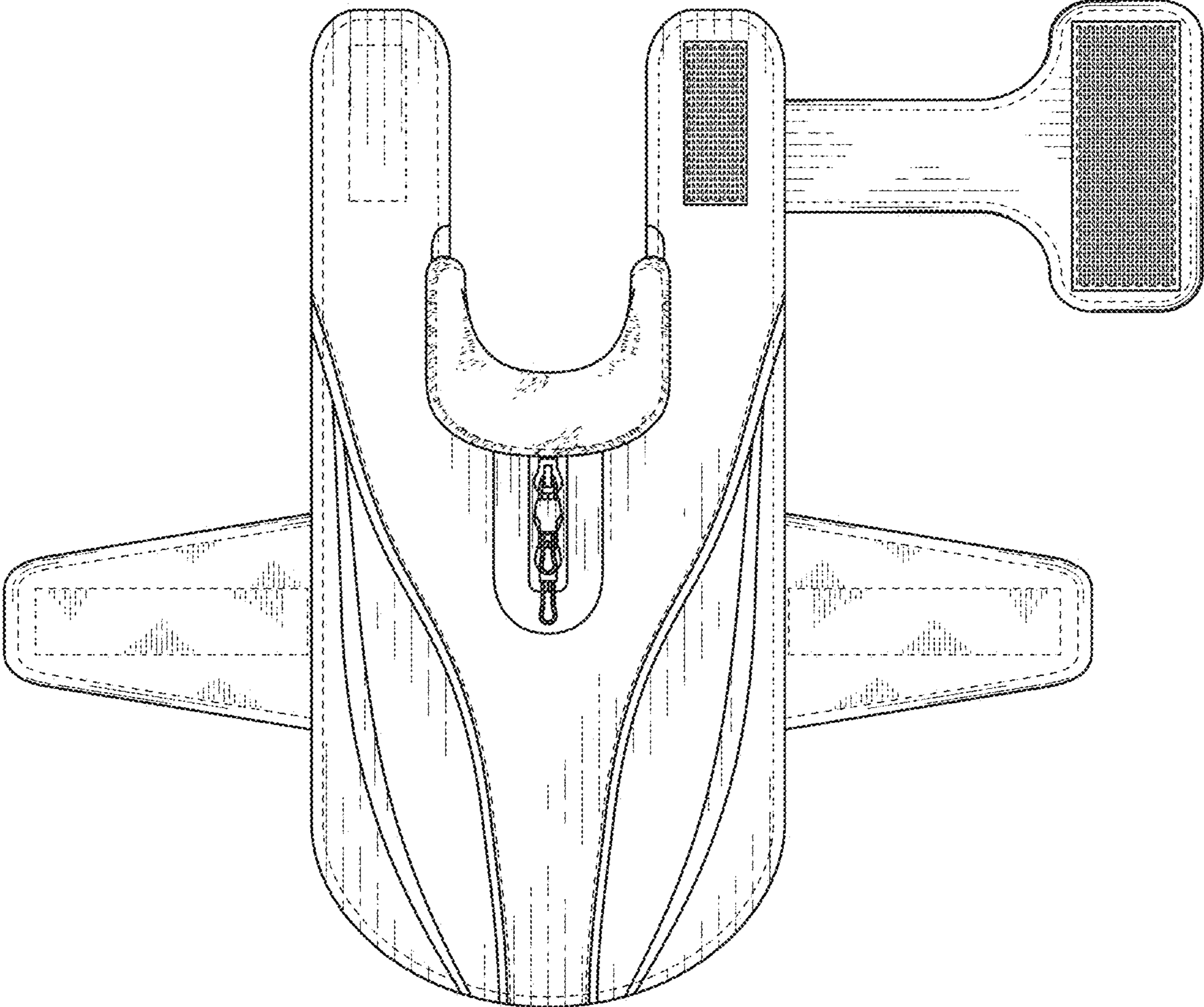


FIG. 8

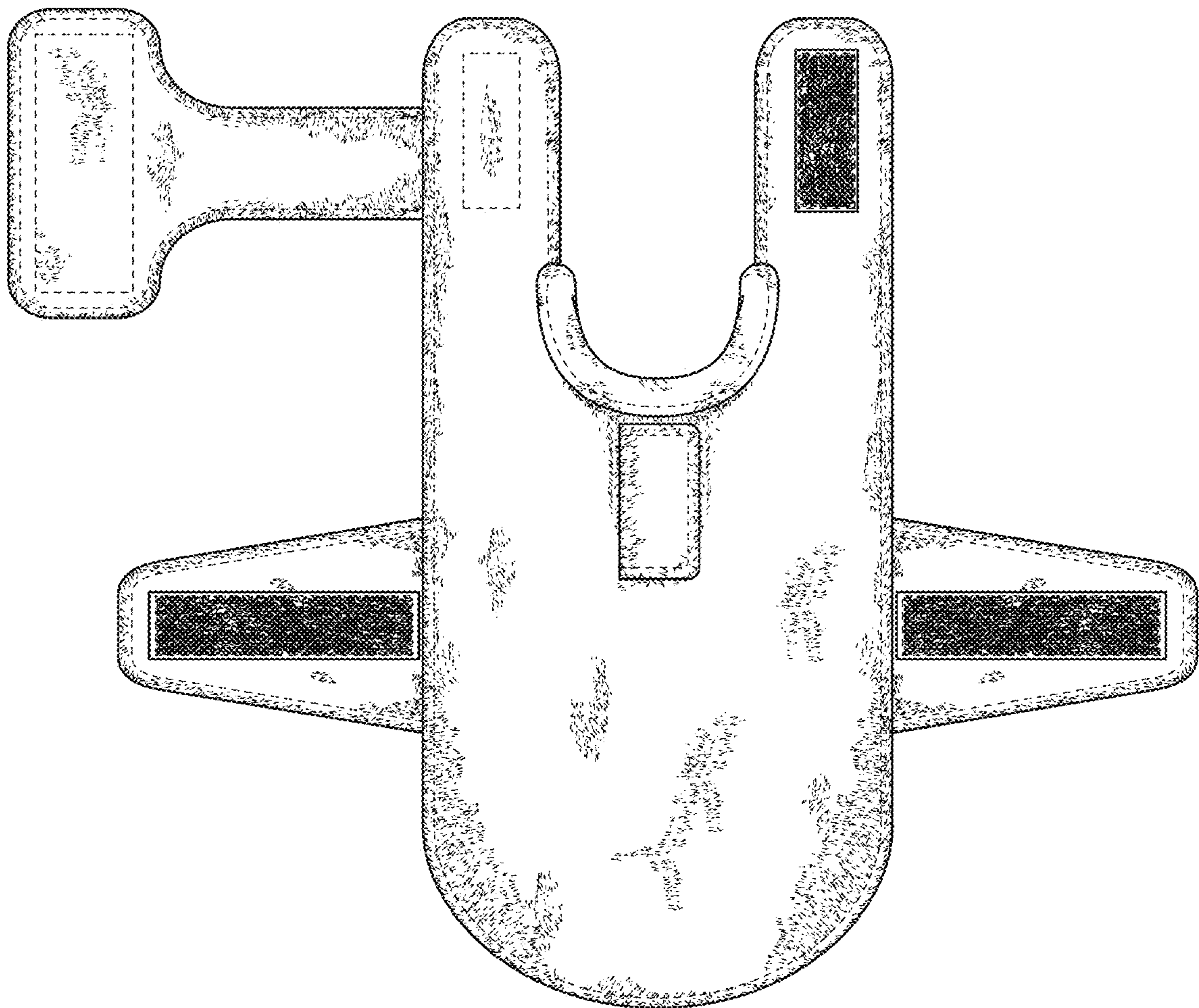


FIG. 9