



US0D1027320S

(12) **United States Design Patent** (10) **Patent No.:** **US D1,027,320 S**
Nie (45) **Date of Patent:** **** May 14, 2024**

(54) **PET BOWL STAND**

Primary Examiner — Susan Moon Lee

(71) Applicant: **ShenZhen TOP Technology Co., LTD.,**
Shenzhen (CN)

(57) **CLAIM**

(72) Inventor: **Junqing Nie,** Shenzhen (CN)

The ornamental design for a pet bowl stand, as shown and described.

(**) Term: **15 Years**

(21) Appl. No.: **29/924,168**

(22) Filed: **Jan. 17, 2024**

DESCRIPTION

(30) **Foreign Application Priority Data**

Oct. 13, 2023 (CN) 202330664989.6

(51) **LOC (14) Cl.** **30-07**

(52) **U.S. Cl.**
USPC **D30/133**

(58) **Field of Classification Search**
USPC D30/133, 121, 128, 130, 132; 119/52.1,
119/55, 61.5–61.56, 61.57, 51.01;
D6/480–485, 403–405; 248/188, 153,
248/175, 27.8, 519; 312/204;
108/153.1–157; D7/566, 565, 588, 354,
D7/704, 705, 600, 600.1, 600.3, 601, 590,
D7/592, 401.1, 401.2; D11/164, 143,
D11/152; 47/39
CPC A01K 5/00; A01K 5/01; A01K 5/0107;
A01K 5/0114; A01K 5/0121; A01K
5/0128; A01K 5/0135; A01K 5/0142;
A01K 7/005; A01K 7/00; A01K 1/10;
A01K 1/0356; A01K 1/0135; A01K
39/014; A01K 29/00;

(Continued)

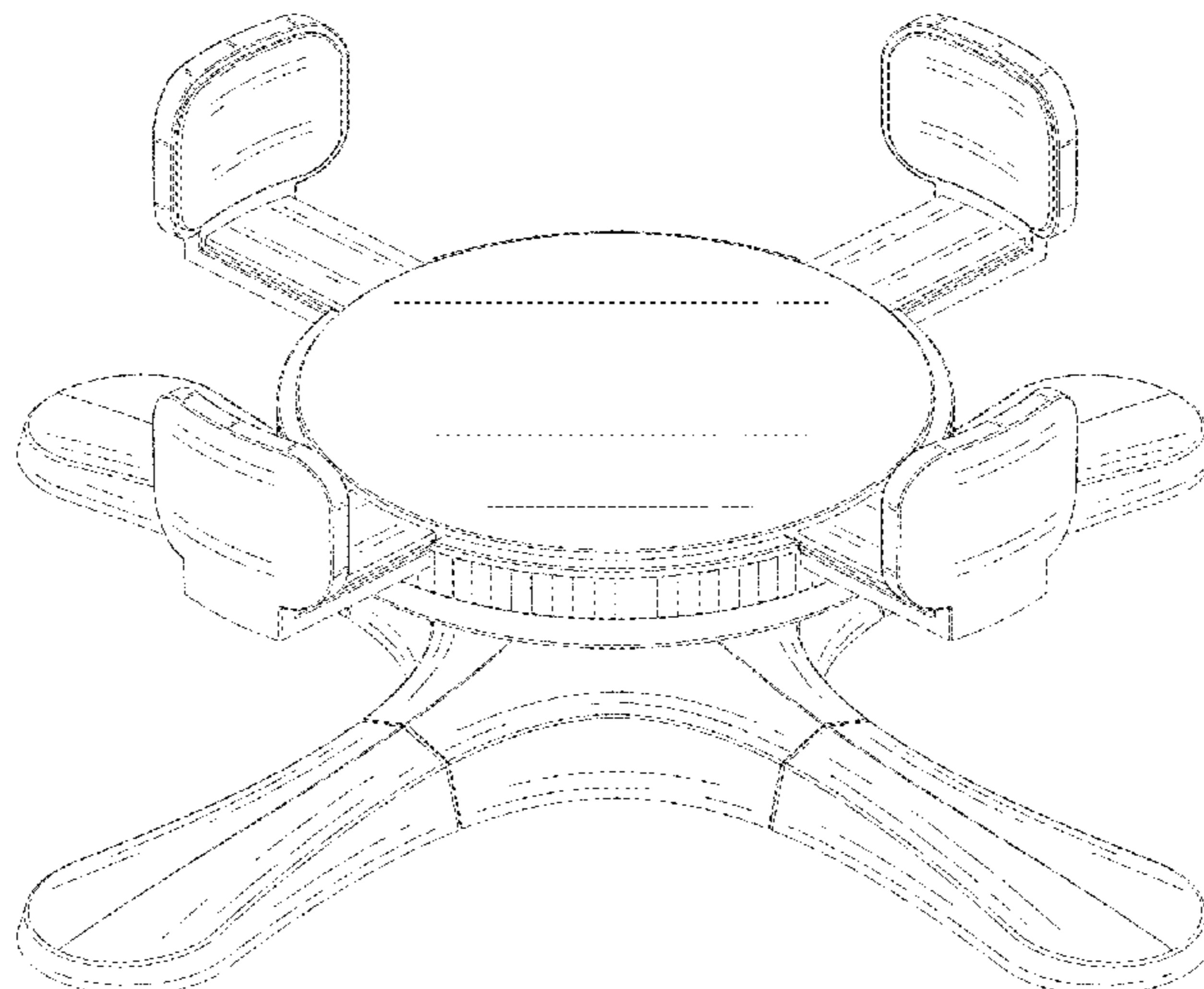
(56) **References Cited**

U.S. PATENT DOCUMENTS

52,576 A * 2/1866 Lamb A01M 29/34
43/121
1,558,316 A * 10/1925 Tipple A01K 39/014
119/51.01

(Continued)

1 Claim, 22 Drawing Sheets



(58) **Field of Classification Search**
 CPC B66F 11/00; A47G 7/025; A47B 73/00;
 A47B 73/002
 See application file for complete search history.

(56) **References Cited**

U.S. PATENT DOCUMENTS

D152,648 S * 2/1949 Penchoen D6/708.25
 3,026,079 A * 3/1962 Stack A61G 7/0503
 5/503.1
 3,224,595 A * 12/1965 Sherley B65F 1/1421
 211/83
 4,953,506 A * 9/1990 Sanders A01K 5/0142
 119/61.53
 4,966,099 A * 10/1990 Arney A01K 5/0142
 43/132.1
 5,000,124 A * 3/1991 Bergen A01K 5/0114
 248/295.11
 5,042,192 A * 8/1991 Osteen A01M 29/34
 43/109
 5,165,365 A * 11/1992 Thompson A01K 39/01
 119/786
 5,881,671 A * 3/1999 Riedl A01K 5/0142
 43/109
 D407,952 S * 4/1999 Kendrick D7/620
 6,901,880 B2 * 6/2005 Hammer A01K 5/0114
 119/61.4
 7,013,885 B2 * 3/2006 Czajkoski F24B 1/182
 126/30
 7,198,008 B2 * 4/2007 Poyner A01K 15/02
 119/701

7,946,230 B2 * 5/2011 Serrano A47B 91/14
 108/150
 D682,485 S 5/2013 Wygle
 8,727,140 B2 * 5/2014 Verson A47B 49/00
 211/205
 D711,052 S * 8/2014 Lee A01K 5/0114
 D30/129
 8,800,493 B2 * 8/2014 Harding A01K 7/00
 119/786
 D720,896 S * 1/2015 Chang D30/131
 D721,481 S * 1/2015 Elazar D3/10
 D744,173 S 11/2015 Jones et al.
 D755,447 S * 5/2016 Andrews D30/129
 9,339,009 B1 * 5/2016 Larson A01K 13/003
 D782,127 S * 3/2017 Wechsler D30/129
 D794,260 S * 8/2017 Tanumihardja D30/133
 D820,535 S 6/2018 Caruso
 D825,114 S * 8/2018 Robbins D30/121
 D829,592 S * 10/2018 Wu D11/86
 D873,502 S 1/2020 MacNeil et al.
 10,660,311 B2 * 5/2020 Nolan A01K 15/02
 D887,091 S 6/2020 Patel
 D889,052 S * 6/2020 Bak D30/133
 10,709,108 B2 * 7/2020 Nolan A01K 15/02
 11,000,012 B2 * 5/2021 Nolan F16M 11/38
 D930,917 S 9/2021 Grossman et al.
 D998,250 S * 9/2023 Yang D30/133
 D1,006,345 S * 11/2023 Ren D30/133
 2010/0147224 A1 * 6/2010 Aletti B66F 11/00
 119/174
 2019/0008119 A1 * 1/2019 Nolan A01K 15/02
 2022/0240484 A1 * 8/2022 Dickson A01K 5/0114

* cited by examiner

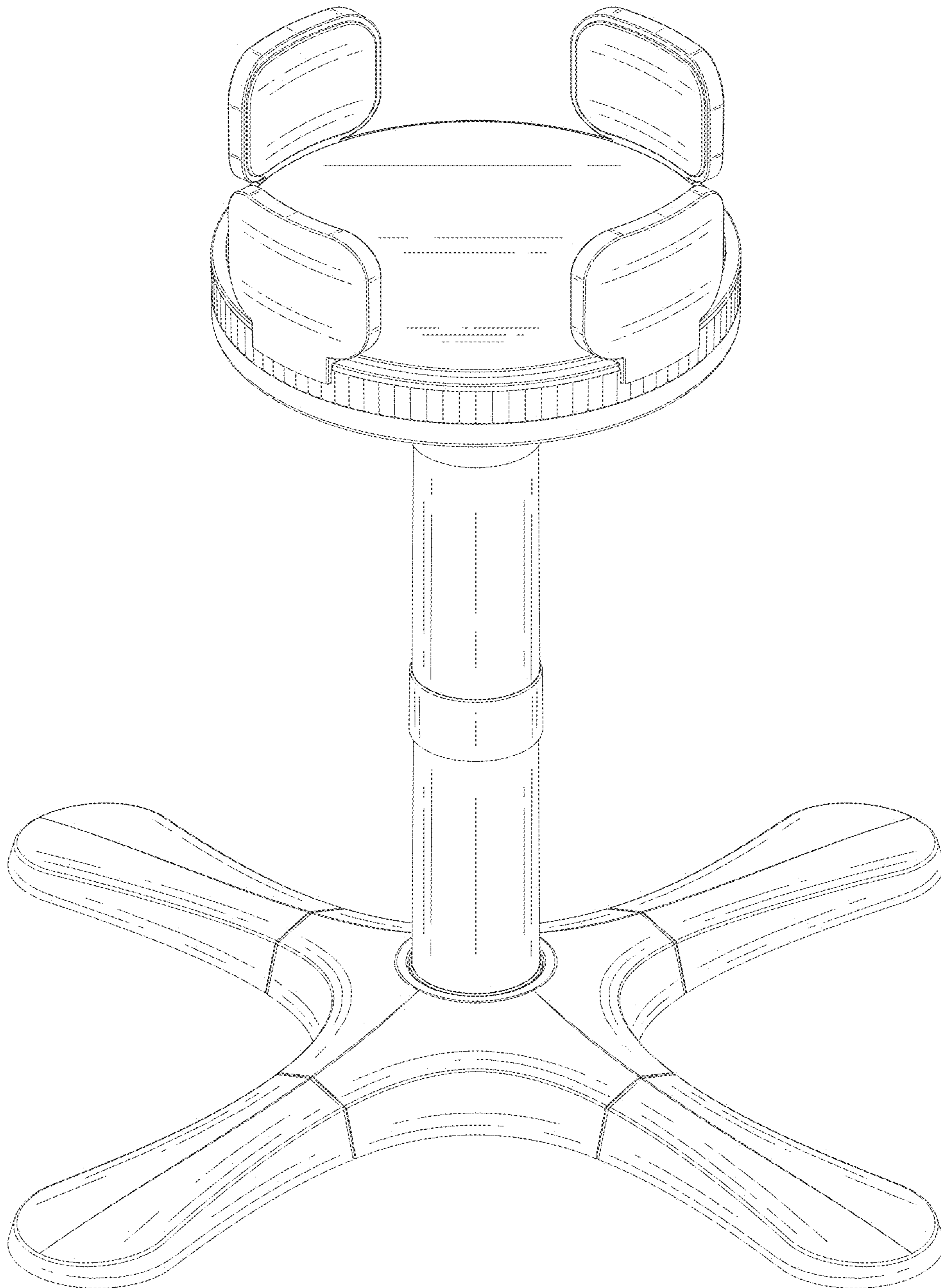


FIG. 1

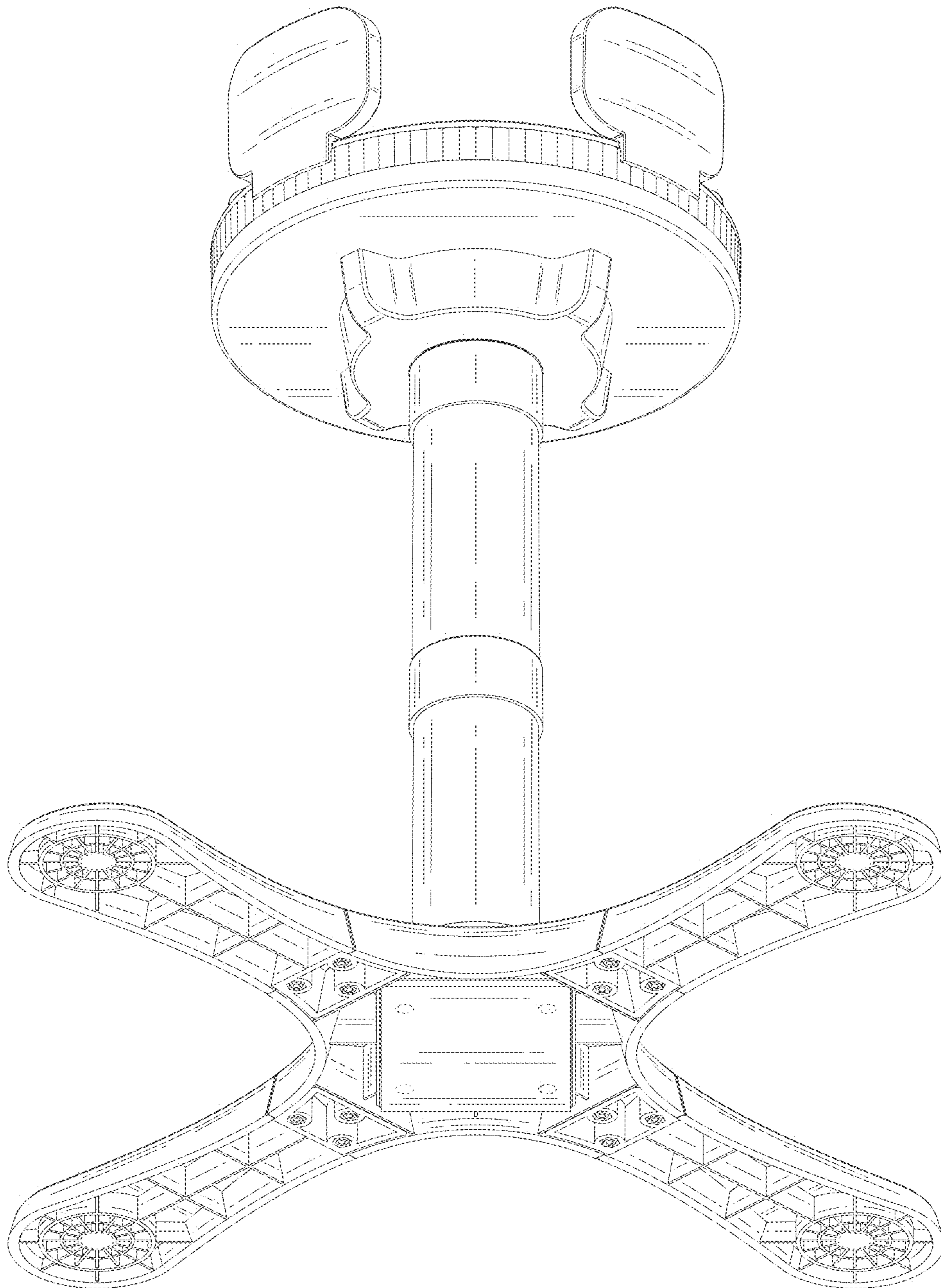


FIG. 2

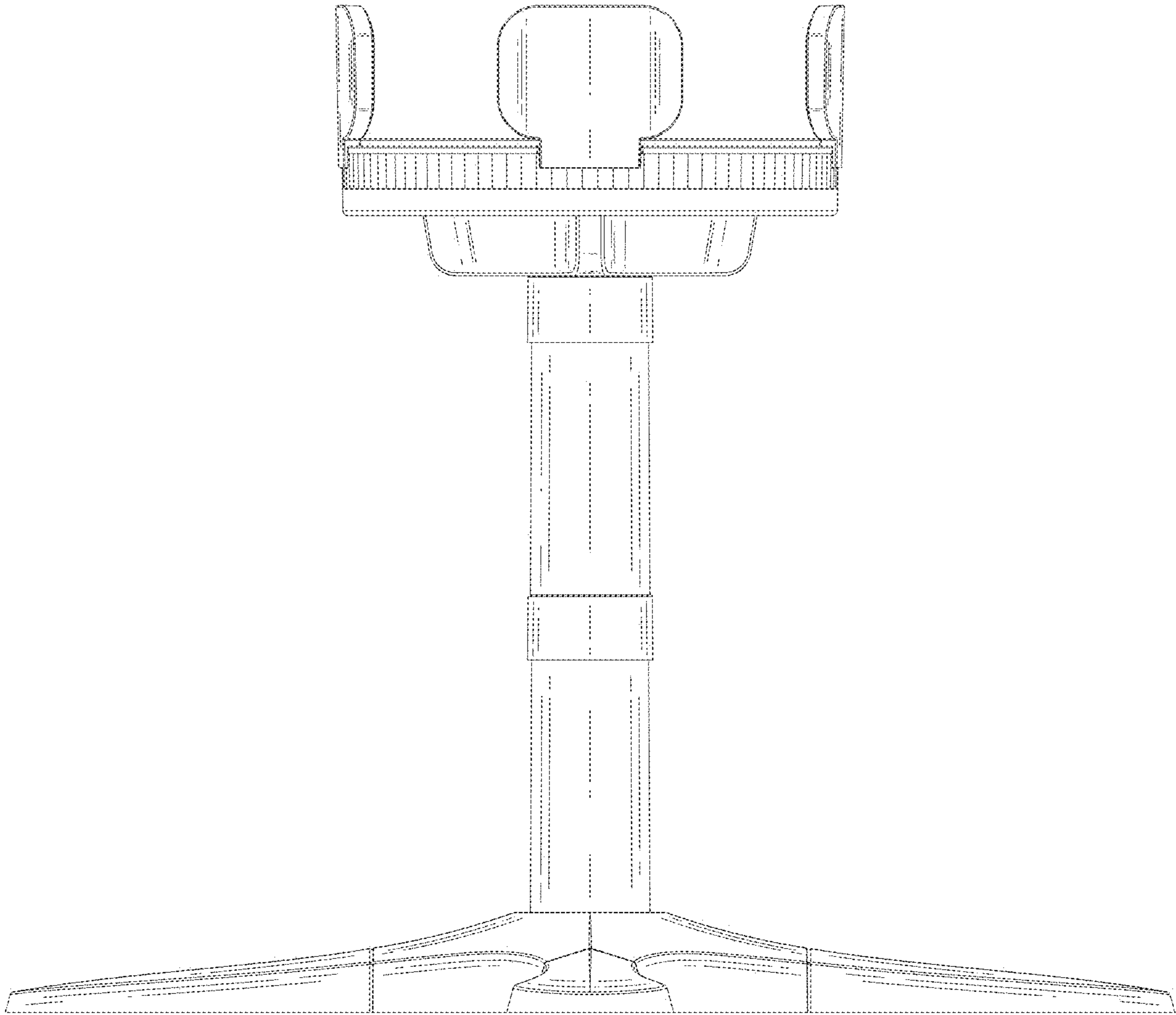


FIG. 3

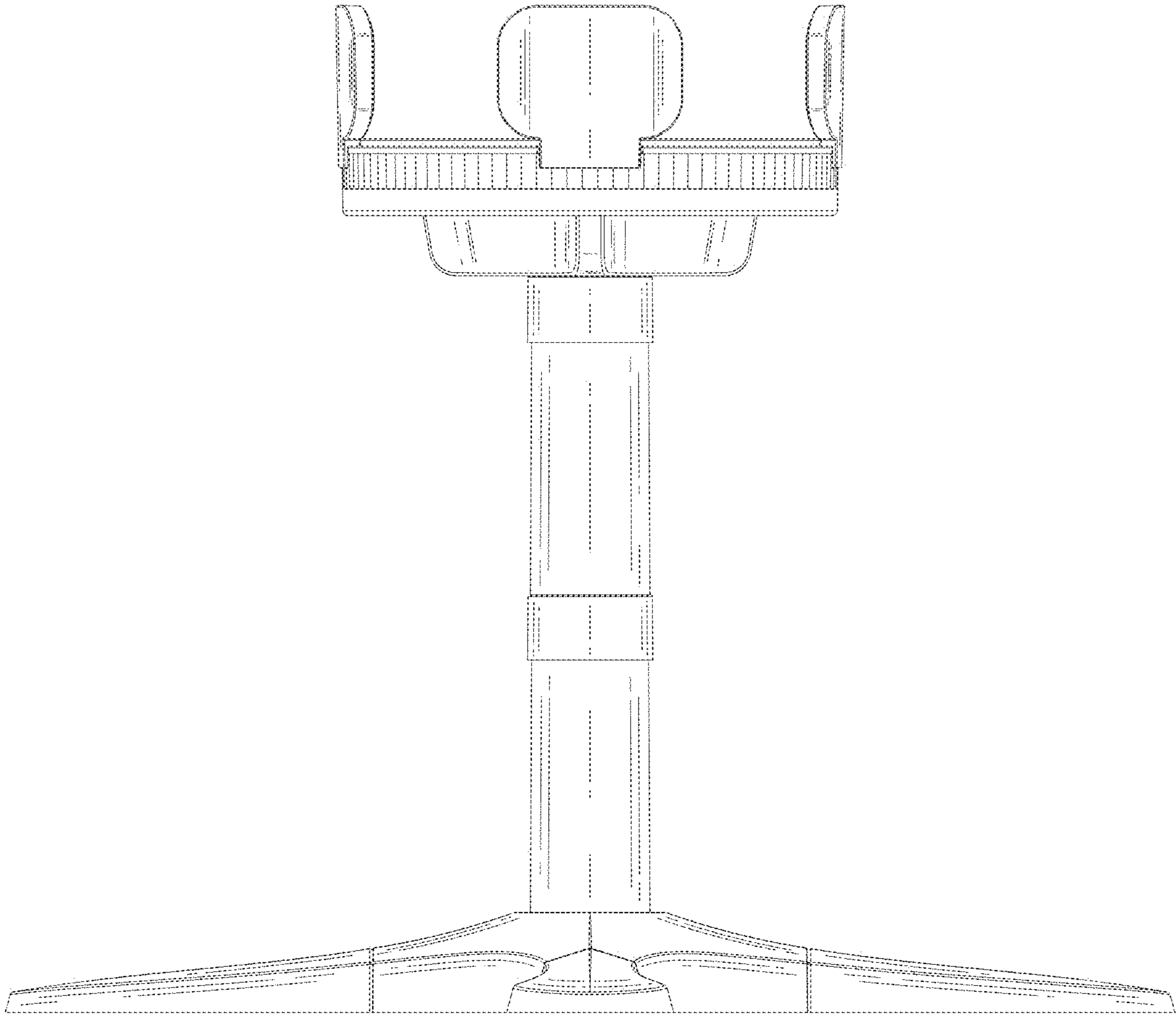


FIG. 4

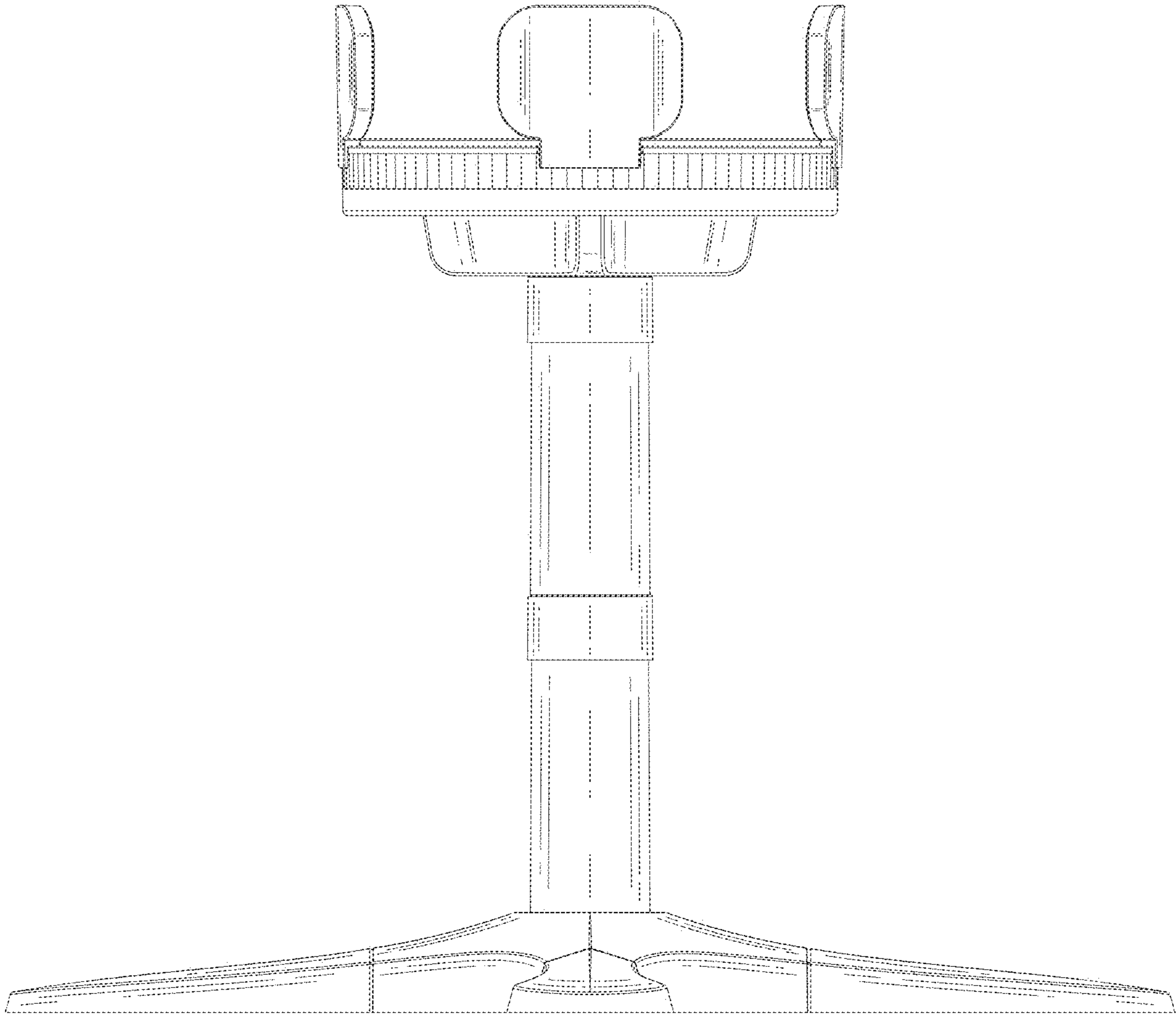


FIG. 5

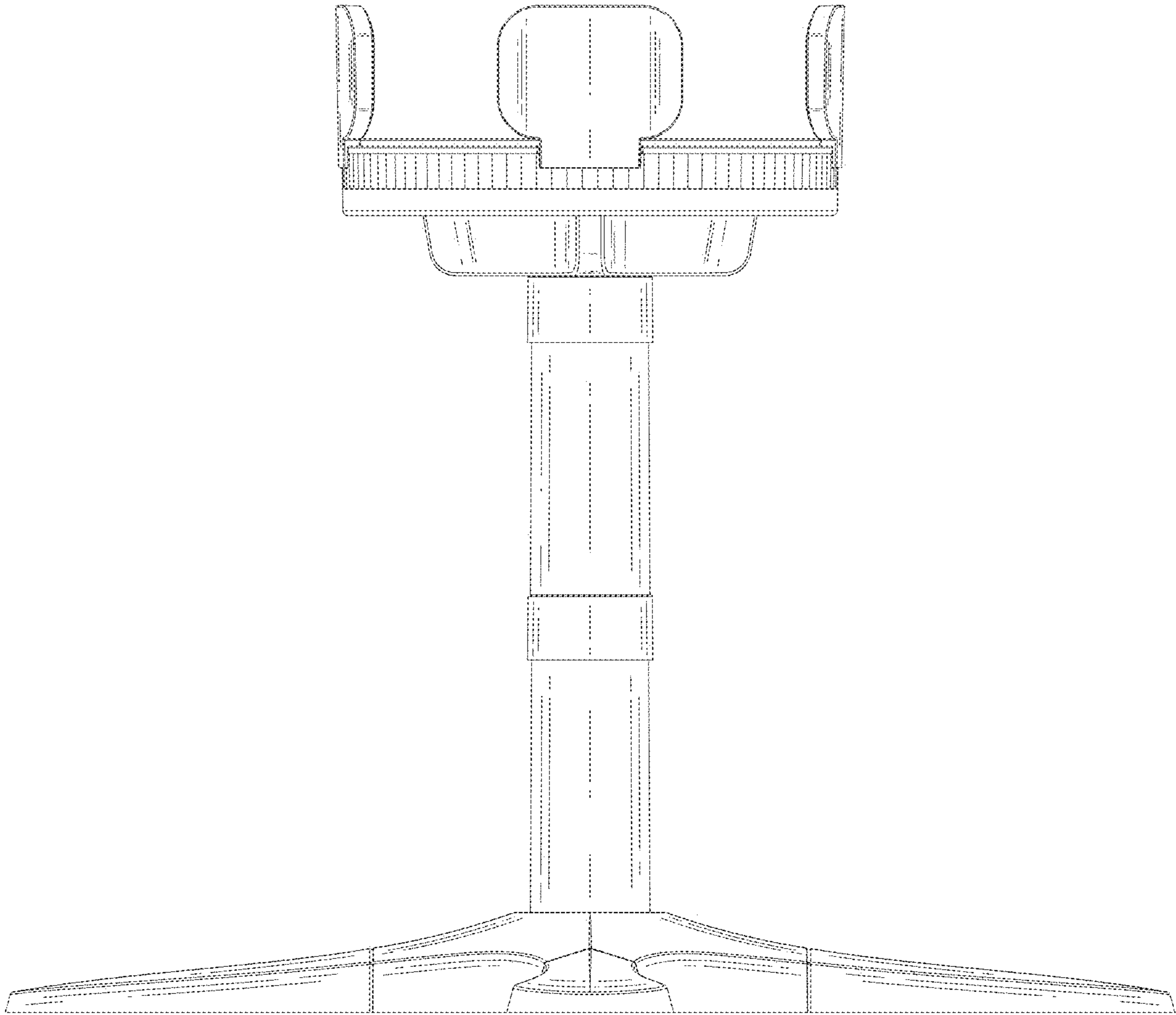


FIG. 6

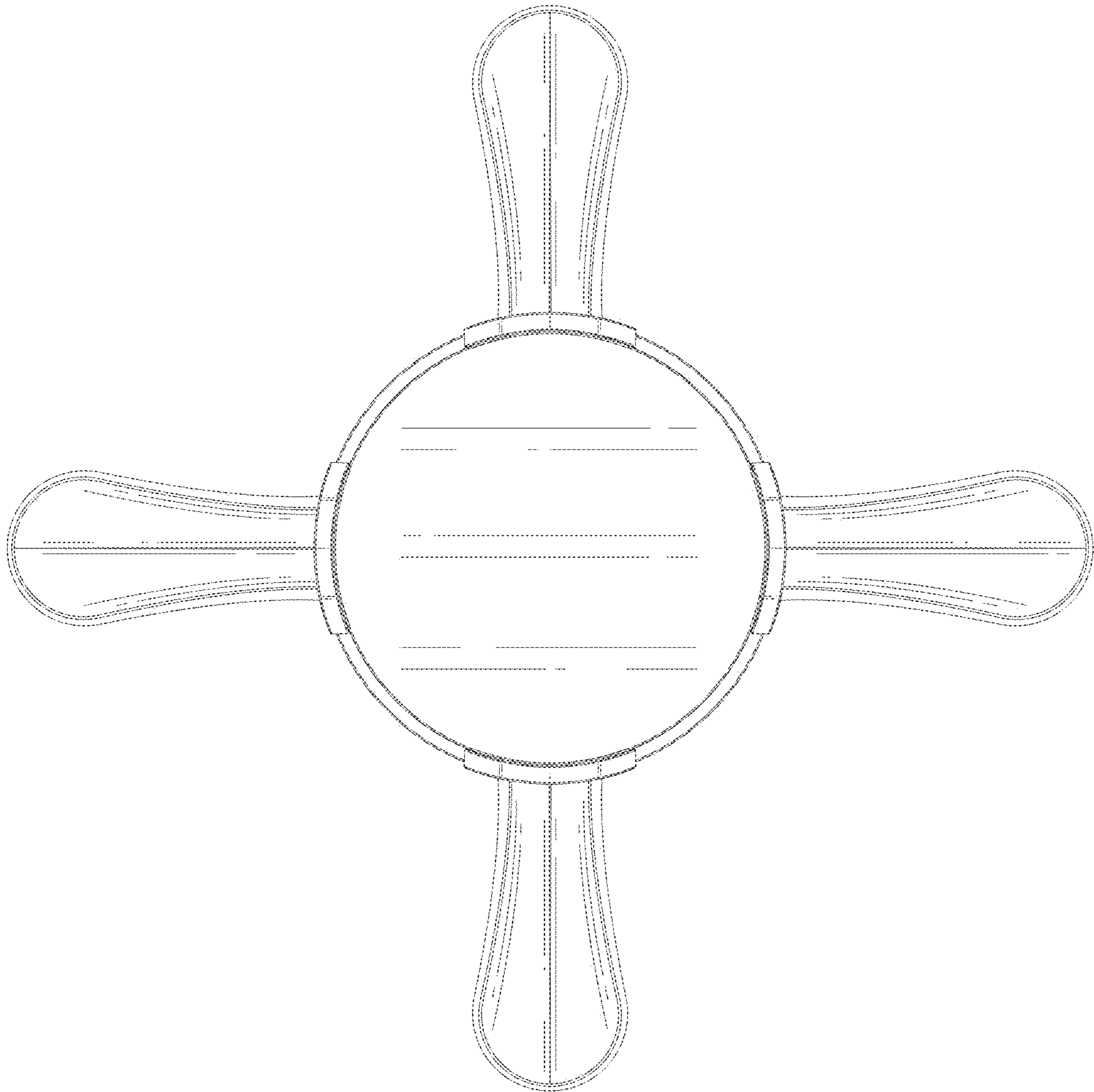


FIG. 7

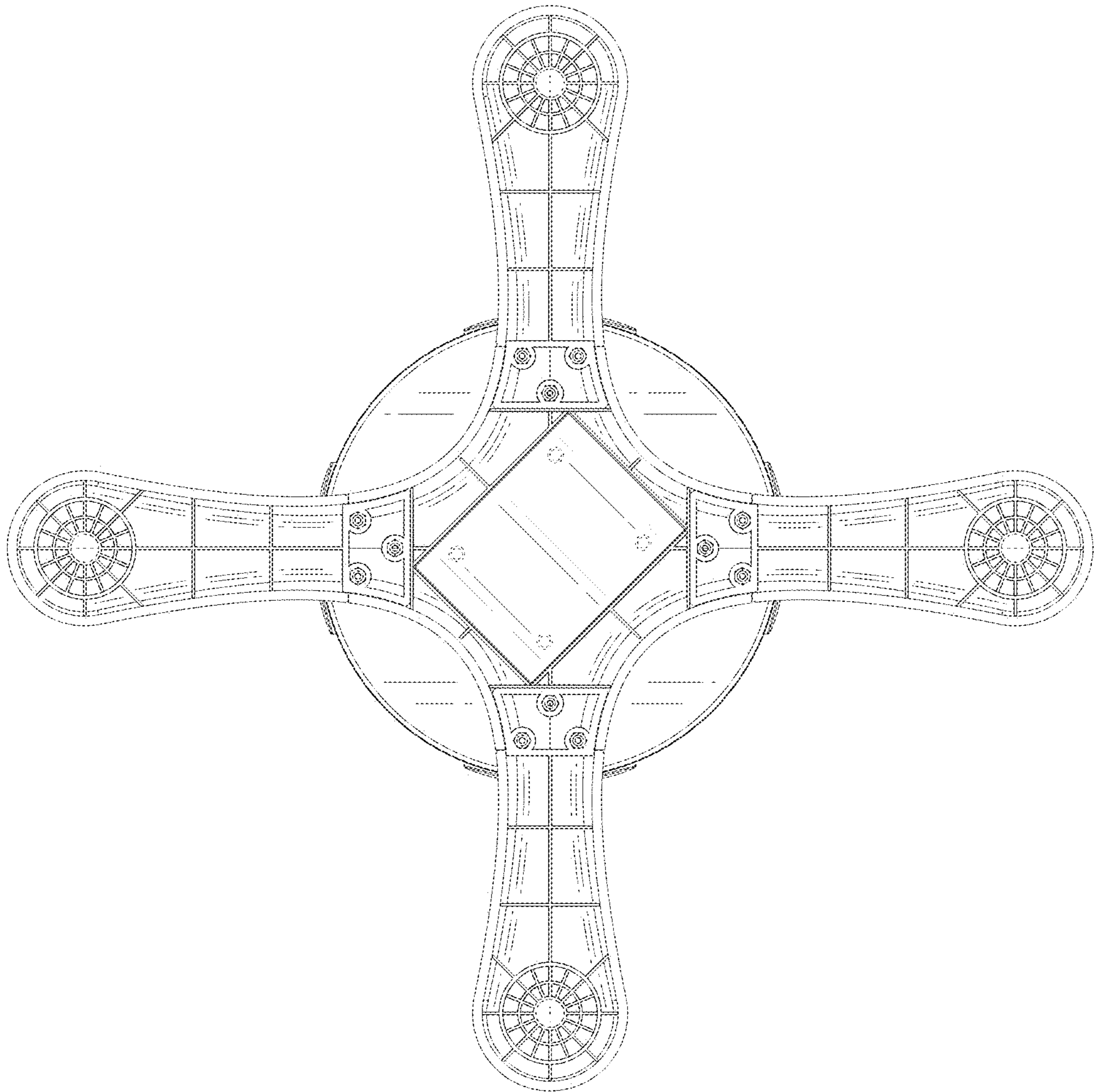


FIG. 8

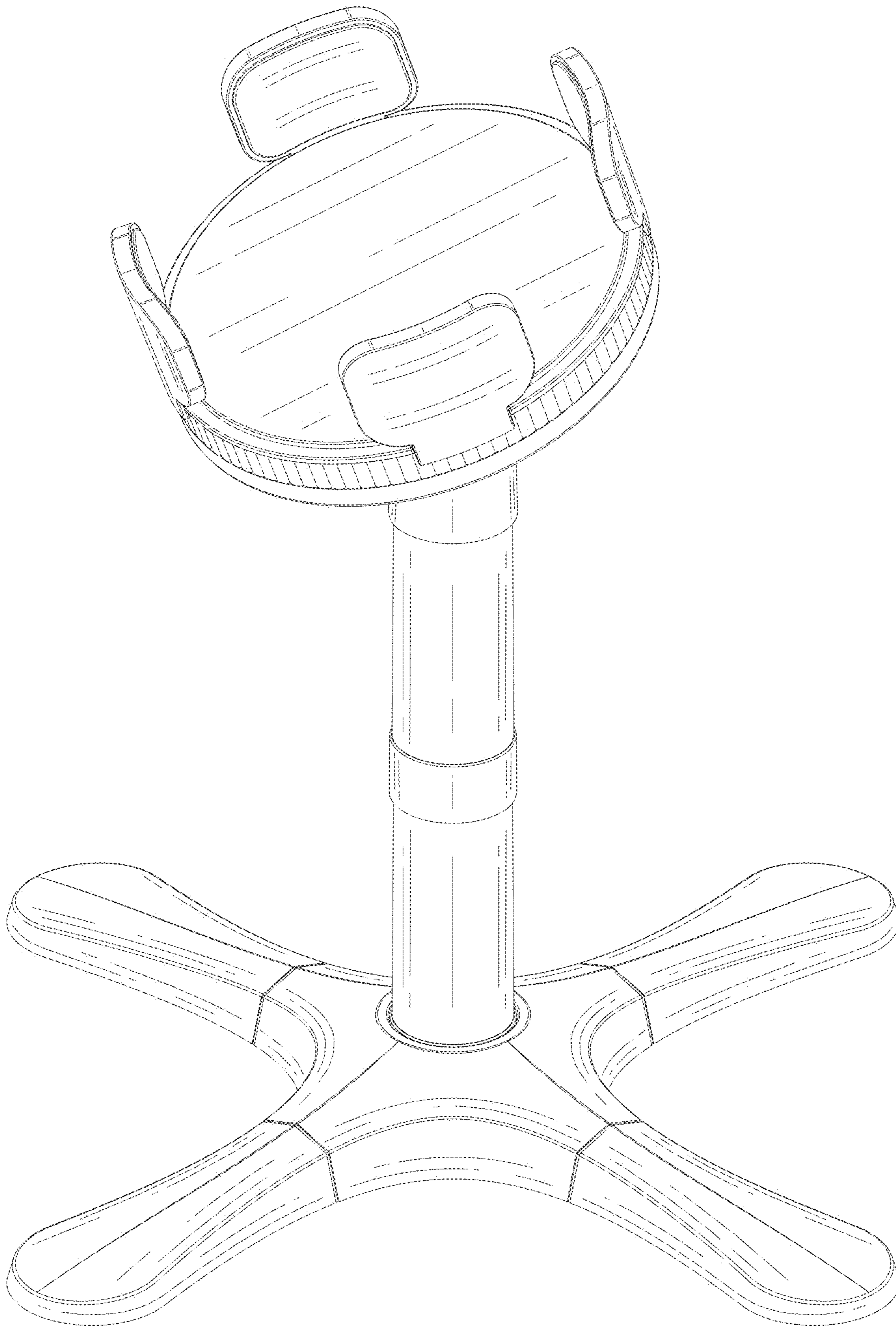


FIG. 9

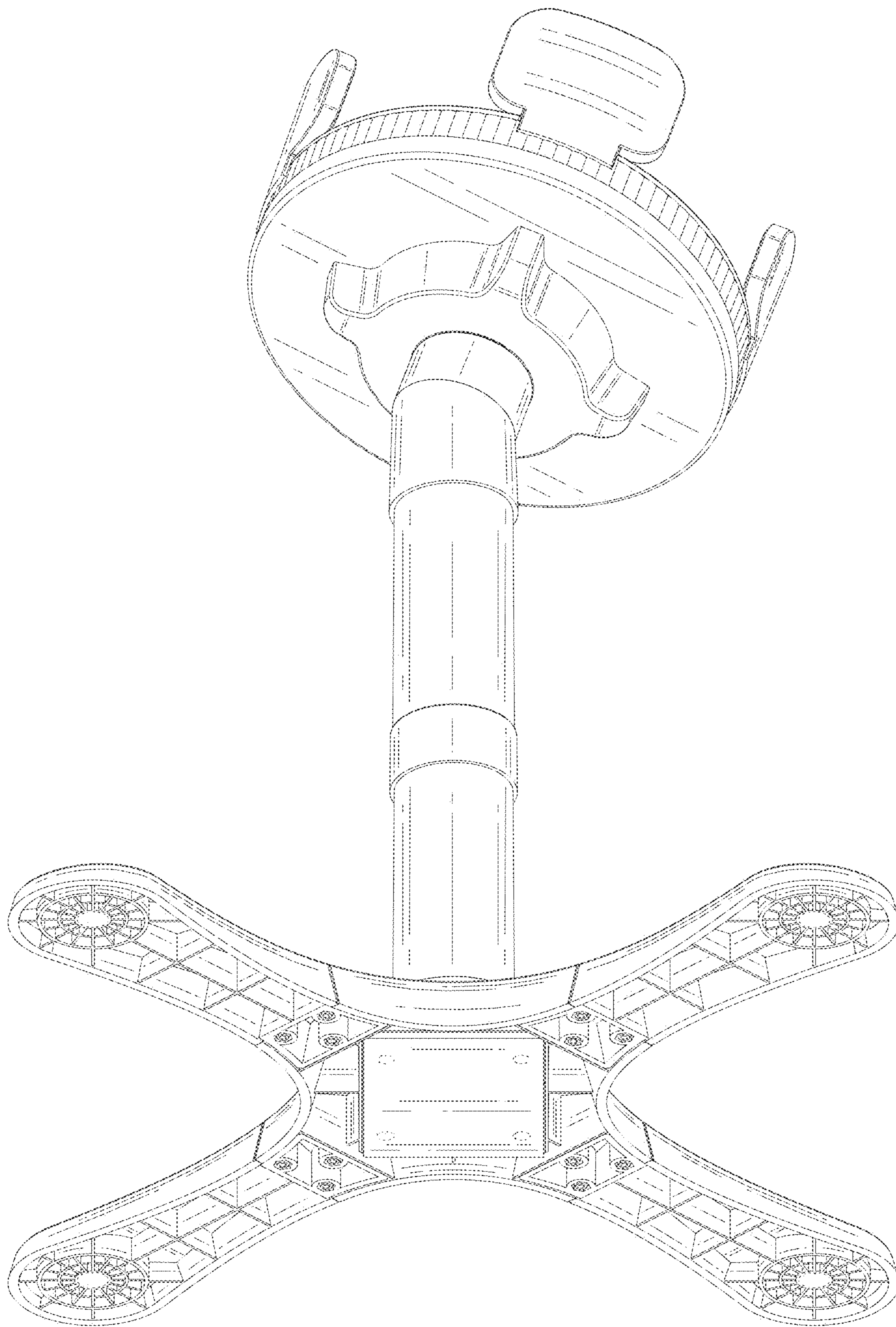


FIG. 10

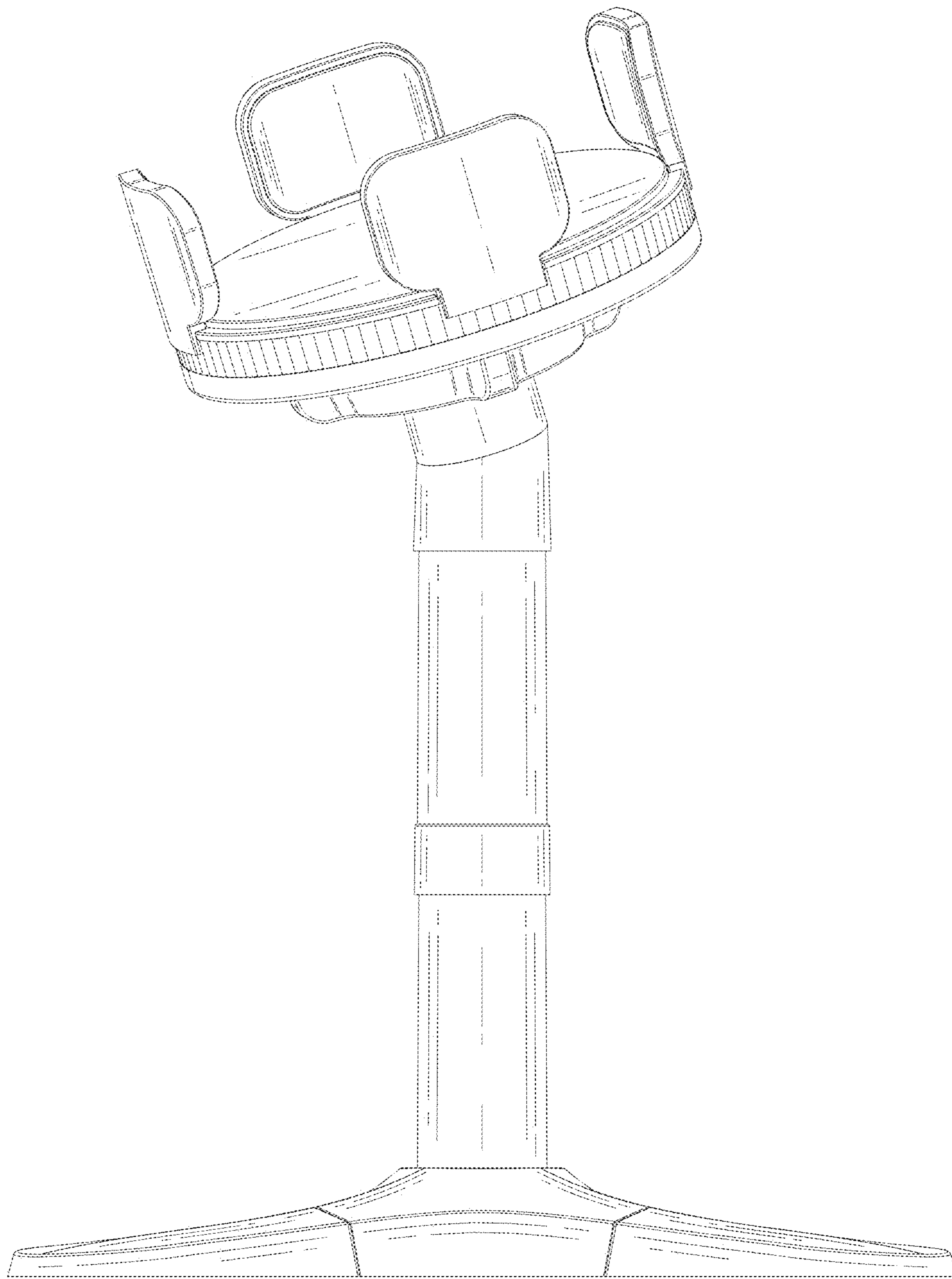


FIG. 11

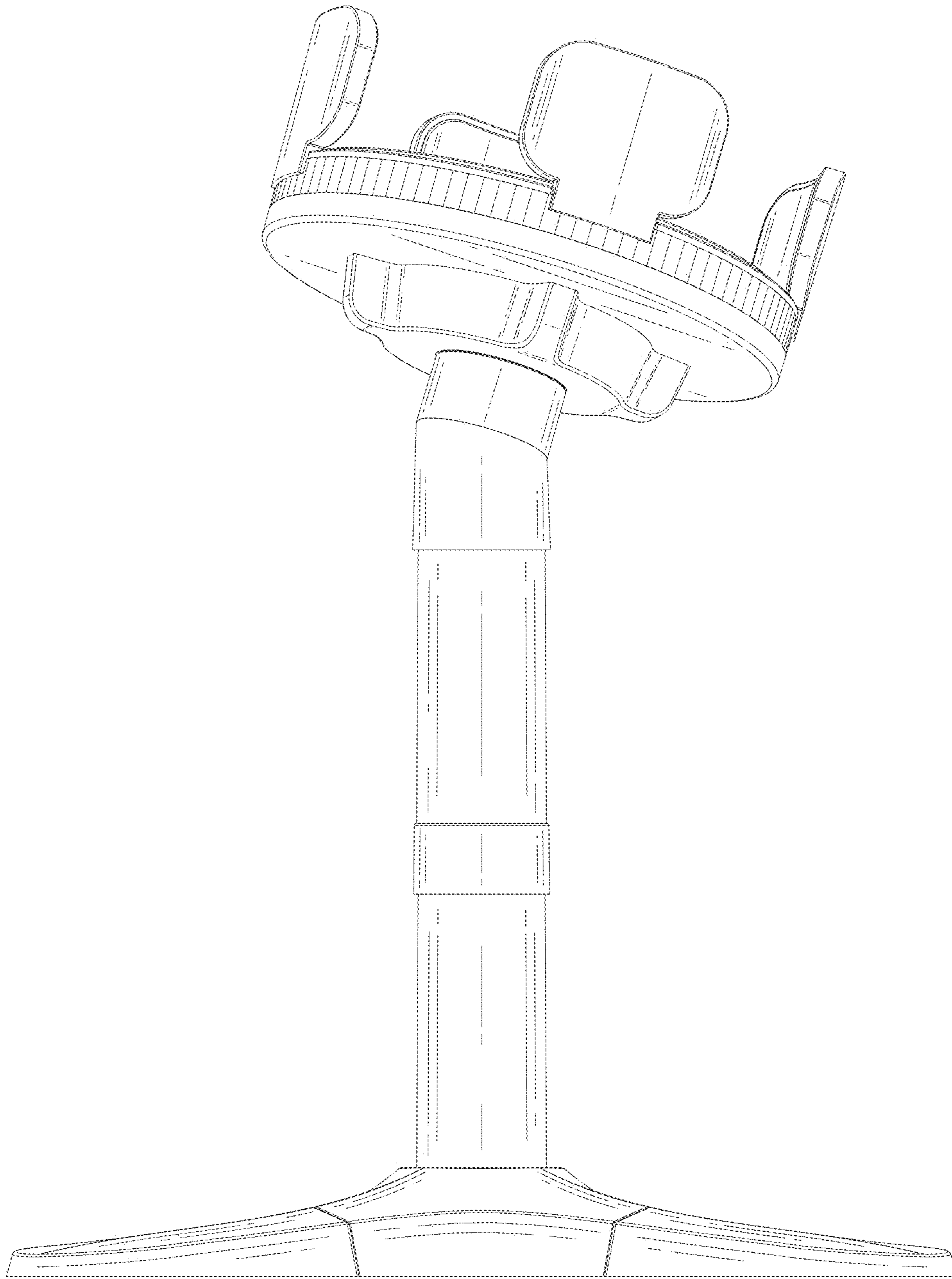


FIG. 12

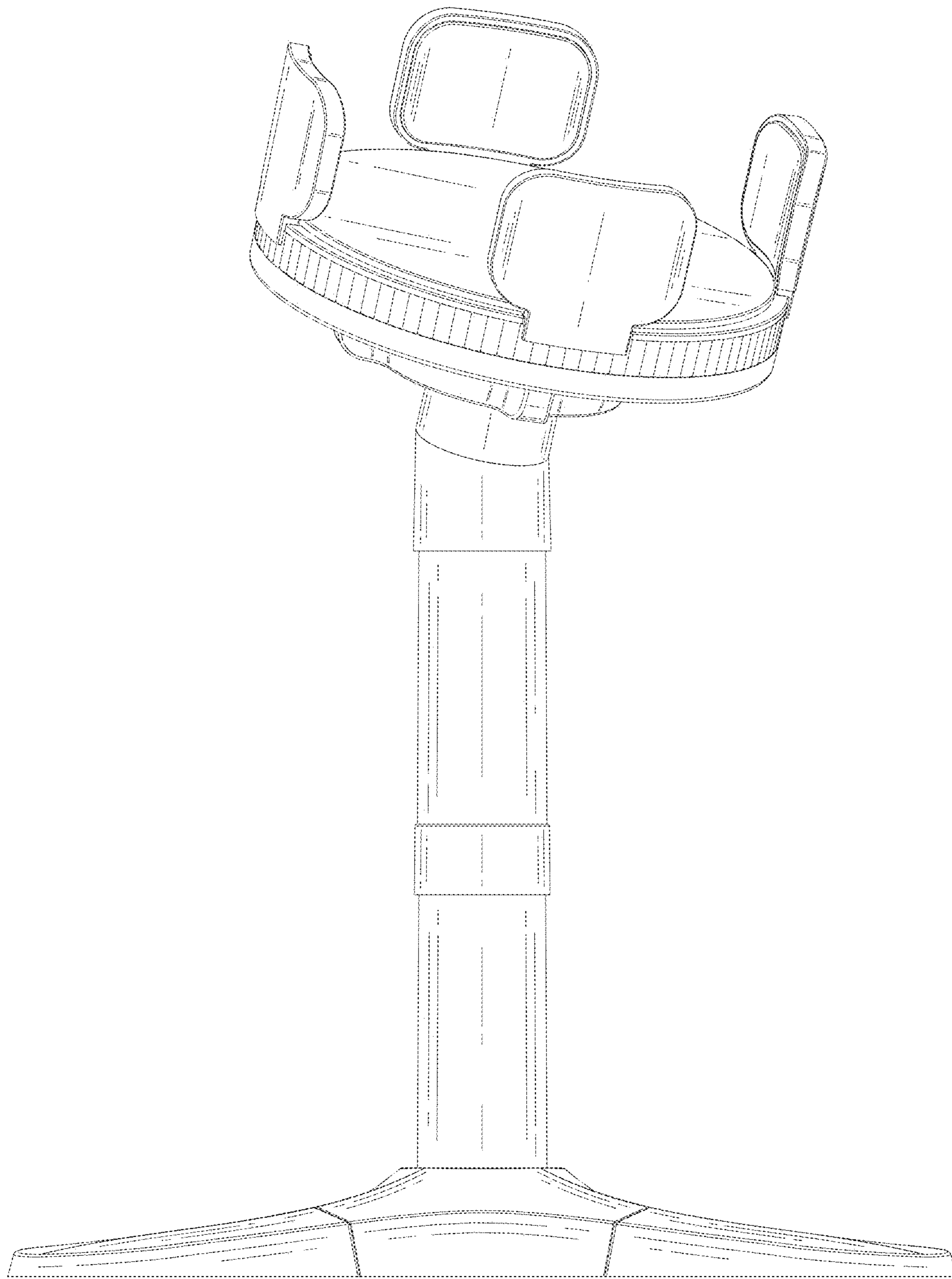


FIG. 13

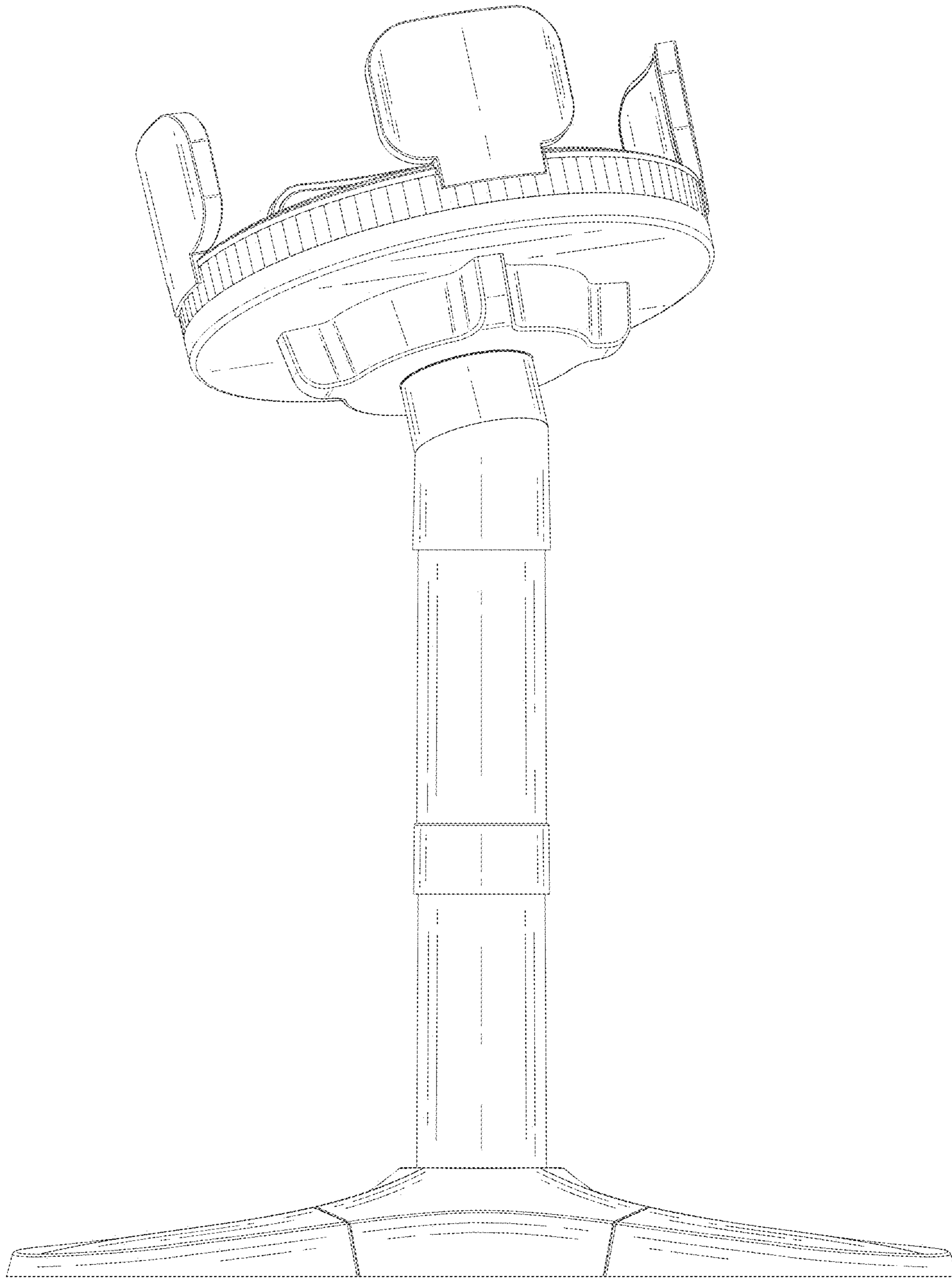


FIG. 14

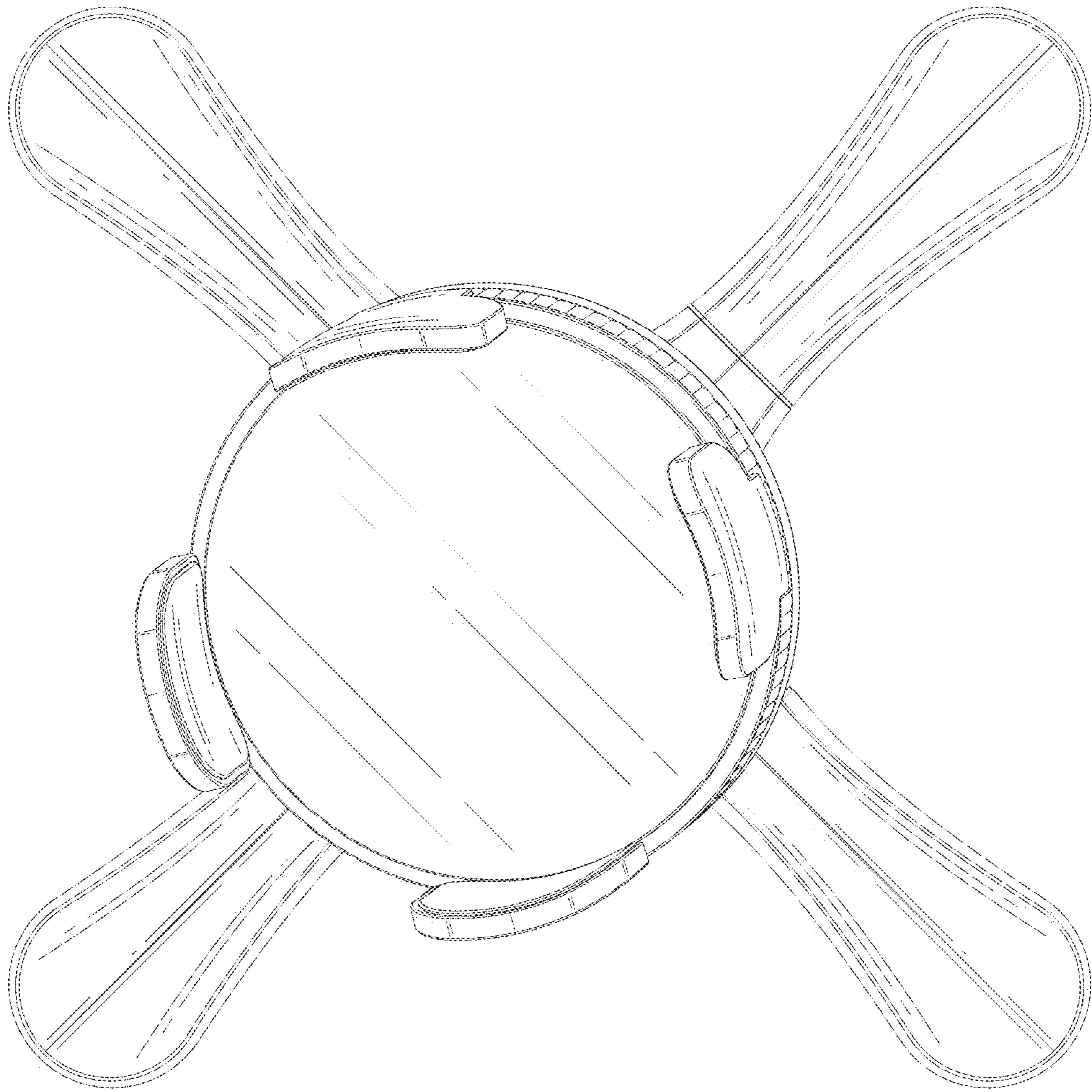


FIG. 15

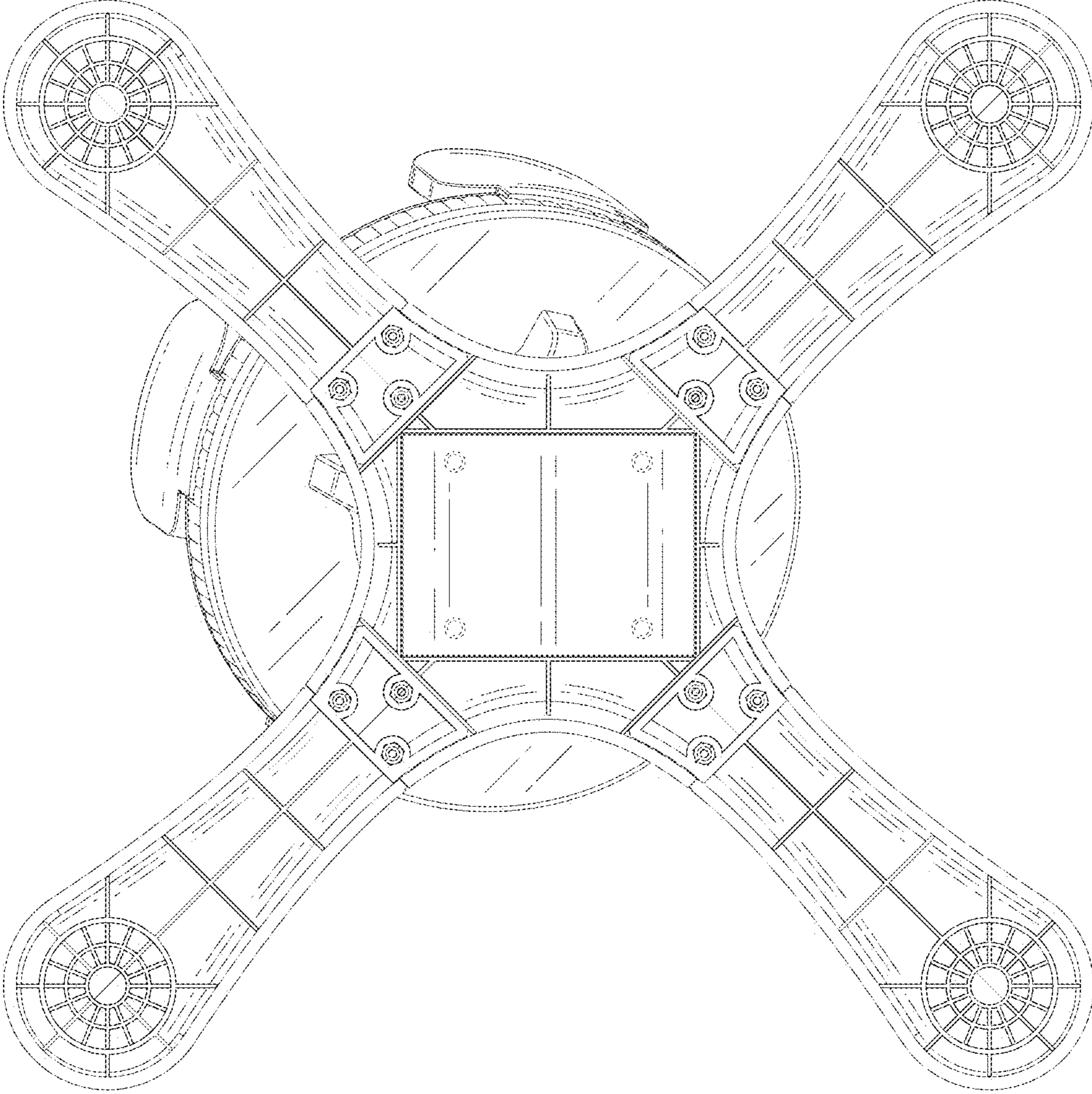


FIG. 16

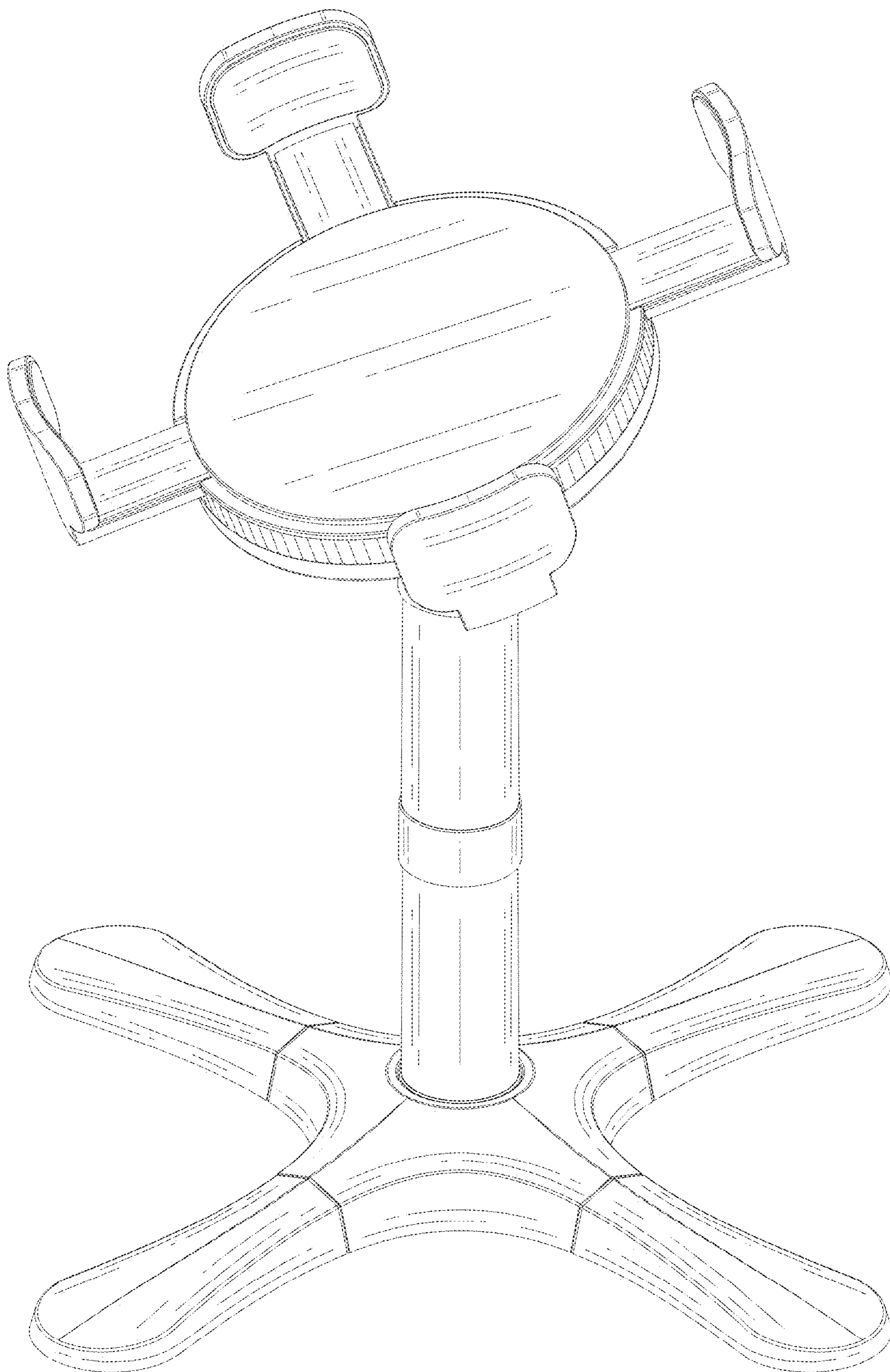


FIG. 17

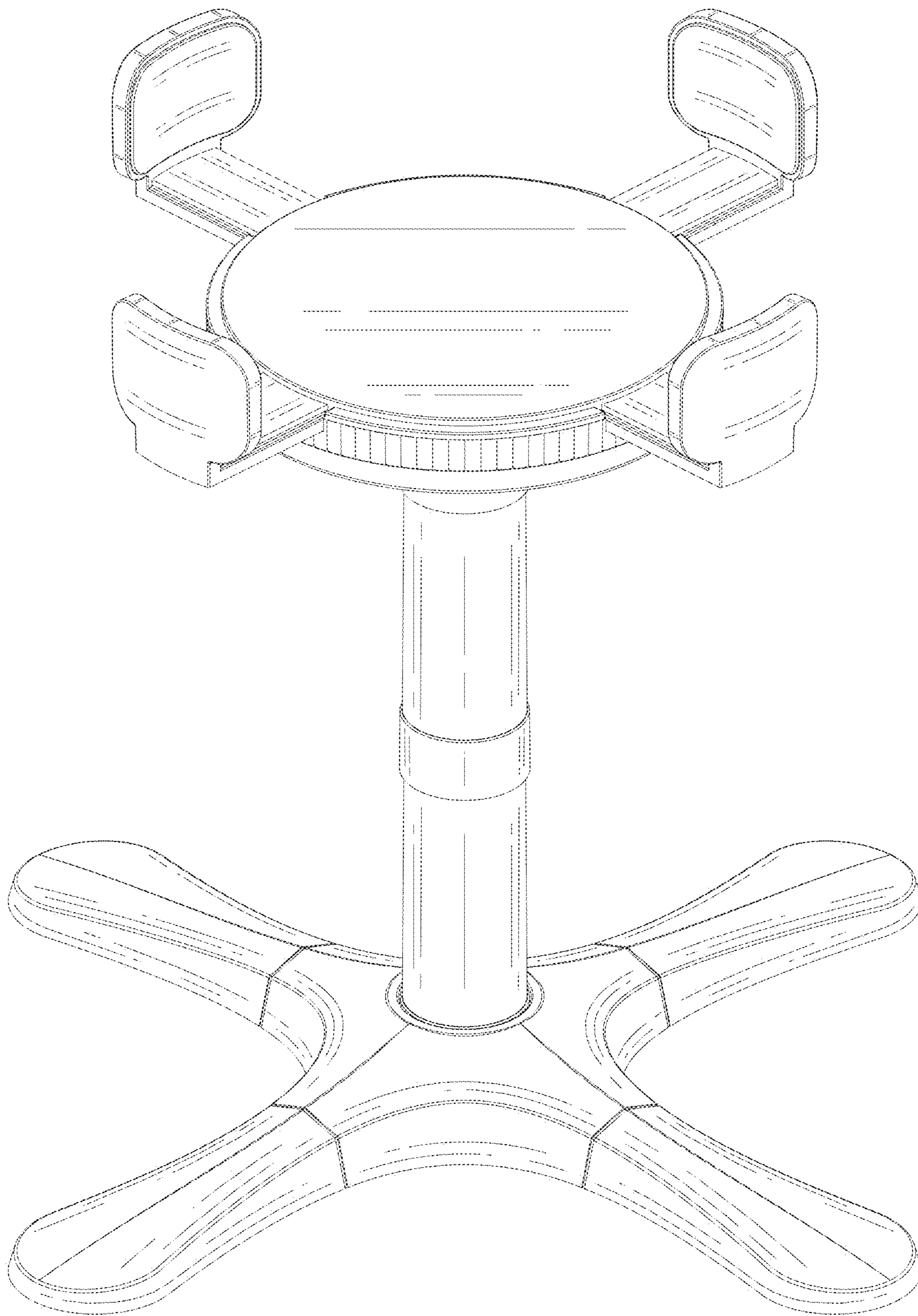


FIG. 18

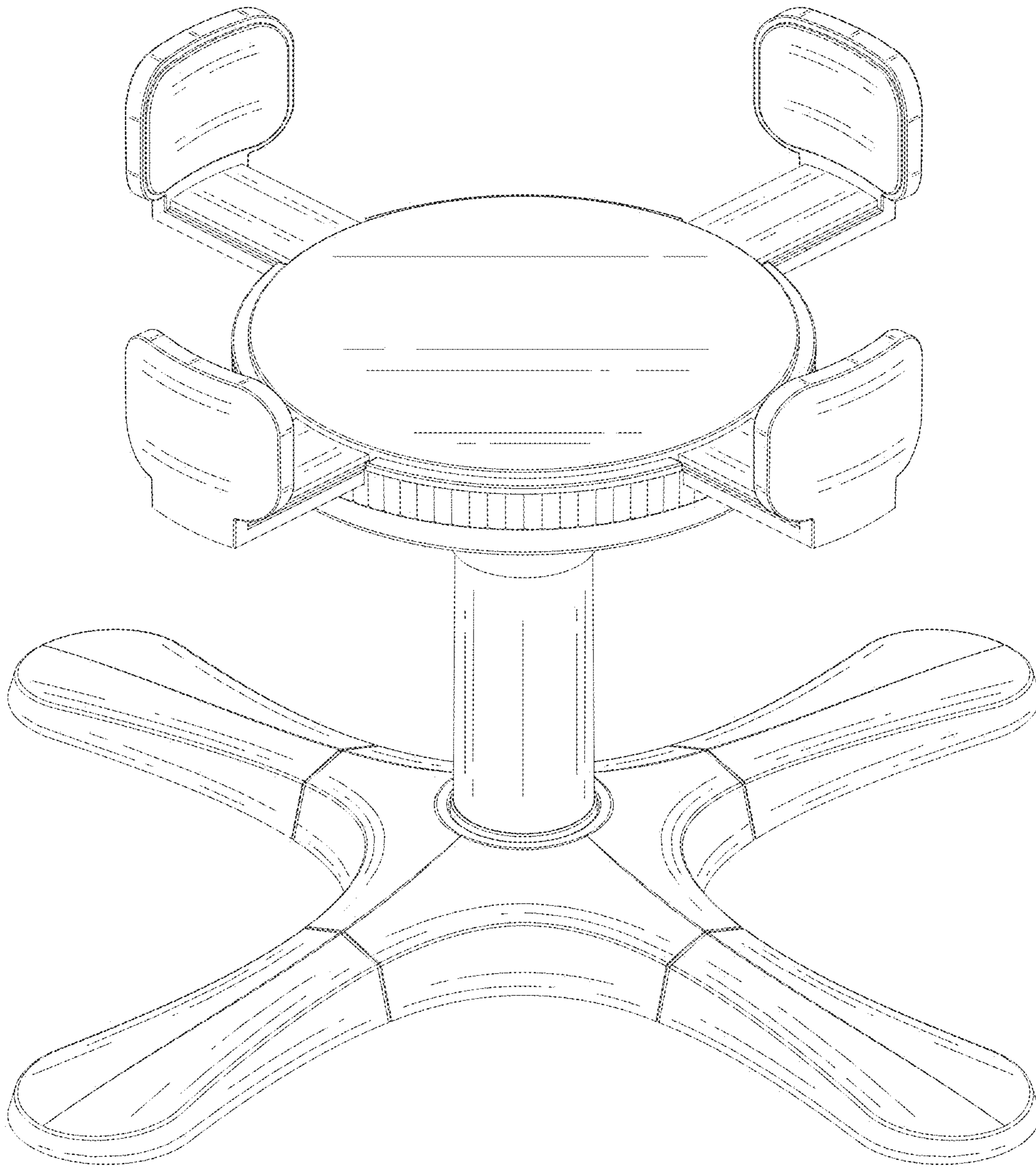


FIG. 19

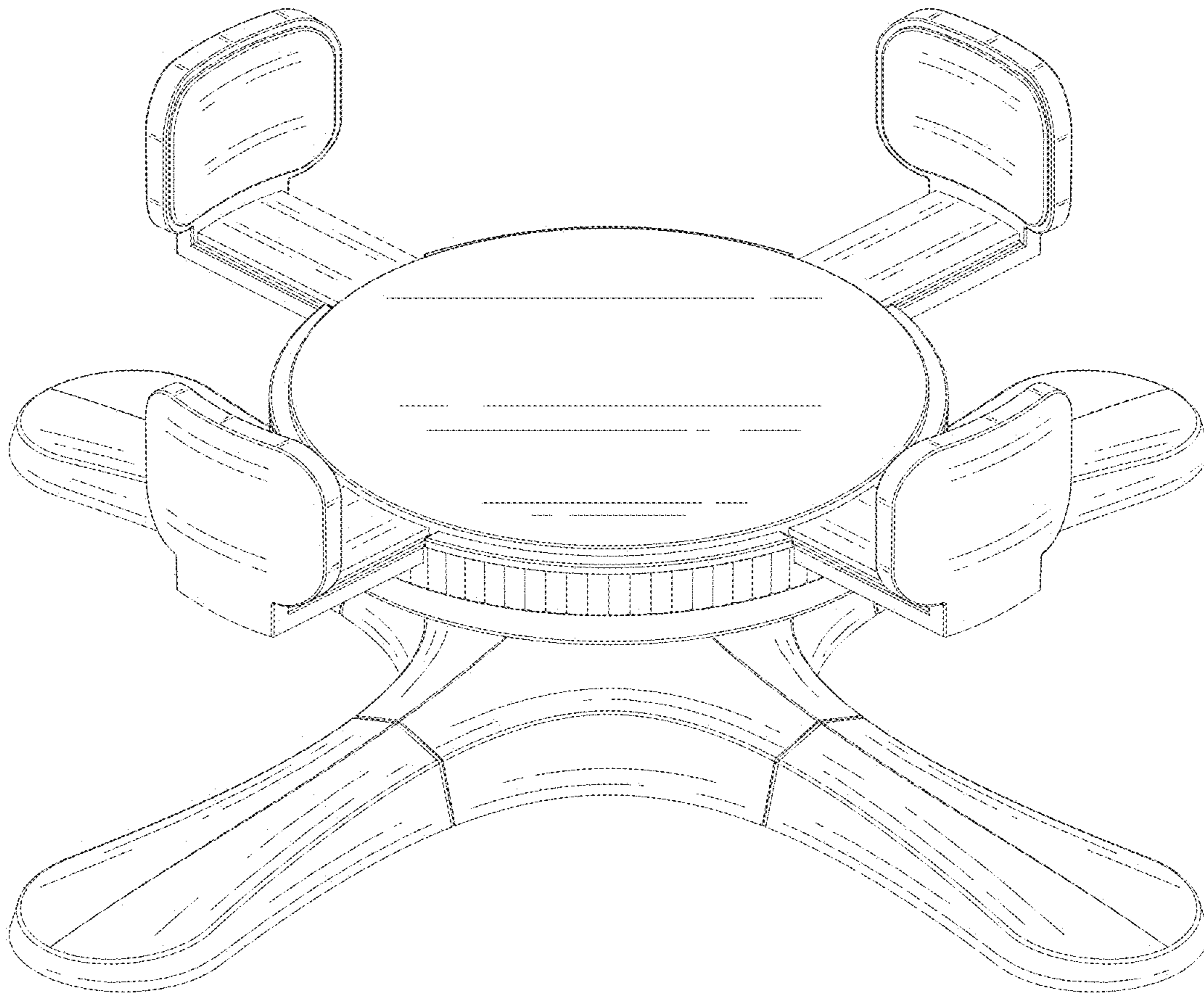


FIG. 20

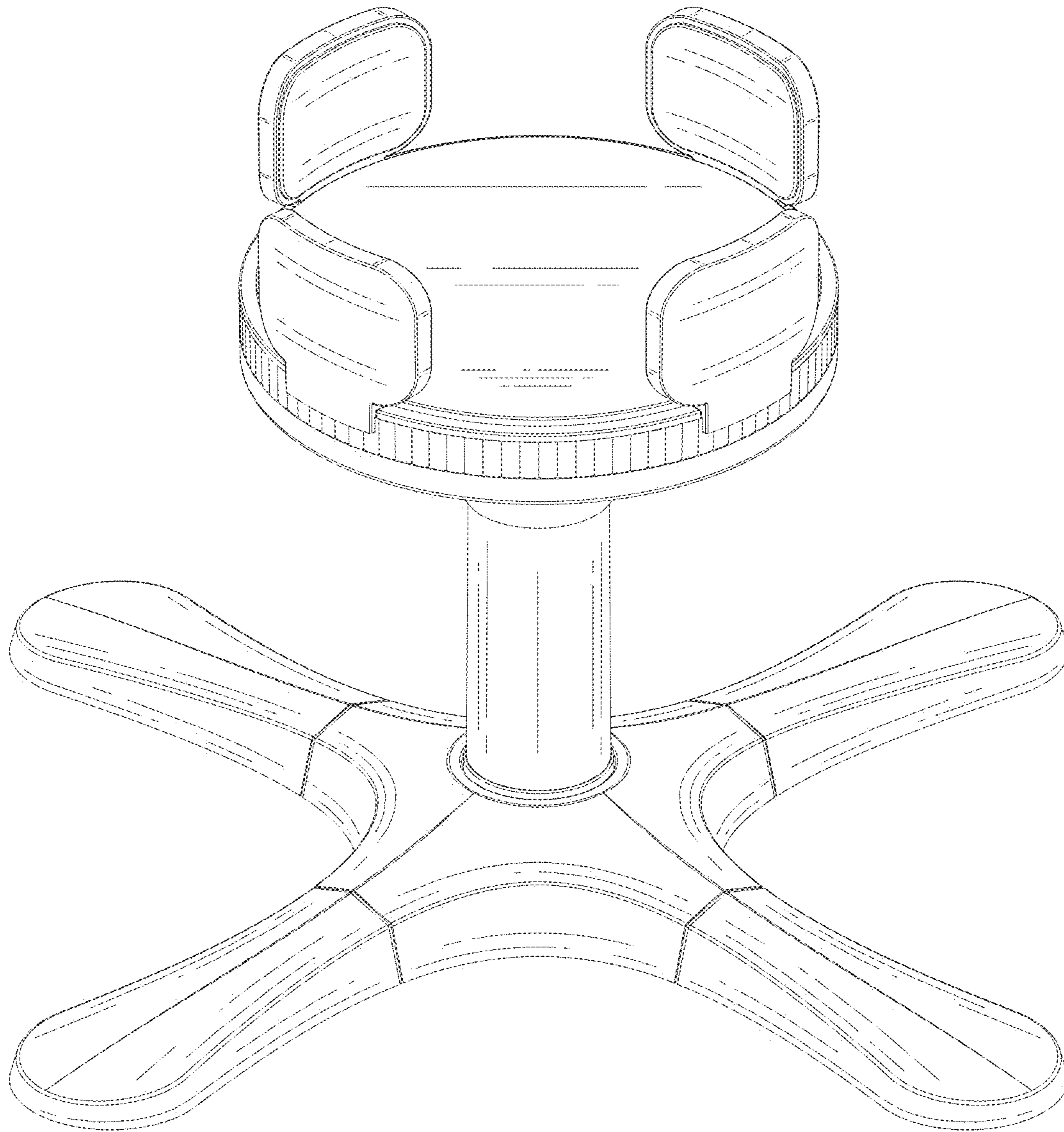


FIG. 21

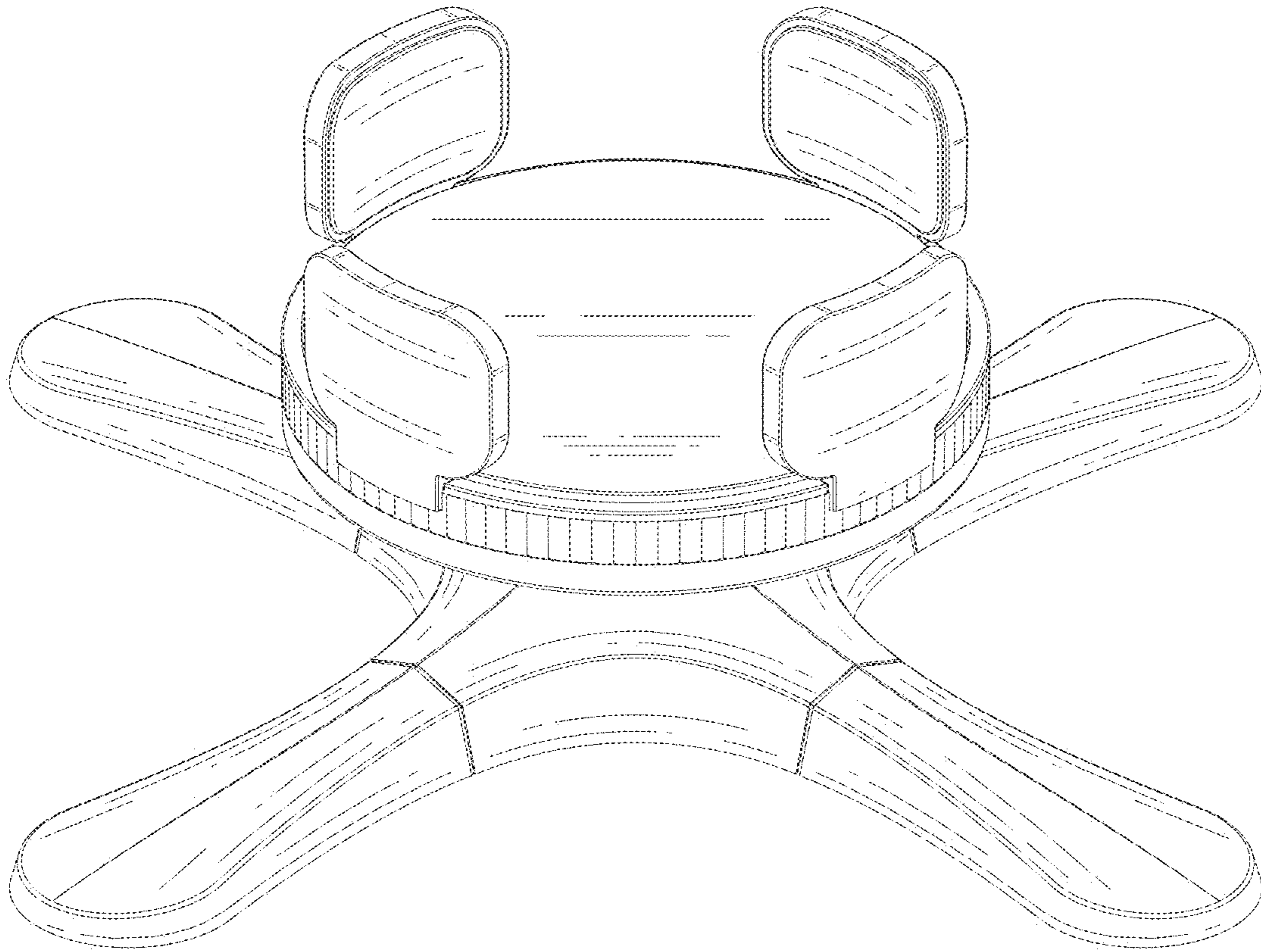


FIG. 22