



US0D1027295S

(12) **United States Design Patent** (10) **Patent No.:** **US D1,027,295 S**
Liu (45) **Date of Patent:** **** May 14, 2024**

(54) **HAIR DRYER**
(71) Applicant: **Shenzhen Lescolton Electrical Appliance Co., Ltd., Shenzhen (CN)**

D646,847 S * 10/2011 Correll, Jr. D28/13
D750,322 S * 2/2016 Hu D28/13
D815,353 S * 4/2018 Barbar D28/13
D941,525 S * 1/2022 Chandra D28/13
D943,828 S * 2/2022 Chandra D28/13

(72) Inventor: **Jianwen Liu, Shenzhen (CN)**
(73) Assignee: **Shenzhen Lescolton Electrical Appliance Co., Ltd., Shenzhen (CN)**

* cited by examiner

Primary Examiner — **Zenia I Bennett**
(74) *Attorney, Agent, or Firm* — **Jeenam Park**

(**) Term: **15 Years**

(57) **CLAIM**

(21) Appl. No.: **29/856,938**

The ornamental design for a hair dryer, as shown and described.

(22) Filed: **Oct. 18, 2022**

DESCRIPTION

(51) **LOC (14) Cl.** **28-03**

(52) **U.S. Cl.**
USPC **D28/13**

(58) **Field of Classification Search**
USPC D28/12-19; D8/29.1
CPC A45D 20/00; A45D 20/04; A45D 20/08;
A45D 20/10; A45D 20/12; A45D
2020/128
See application file for complete search history.

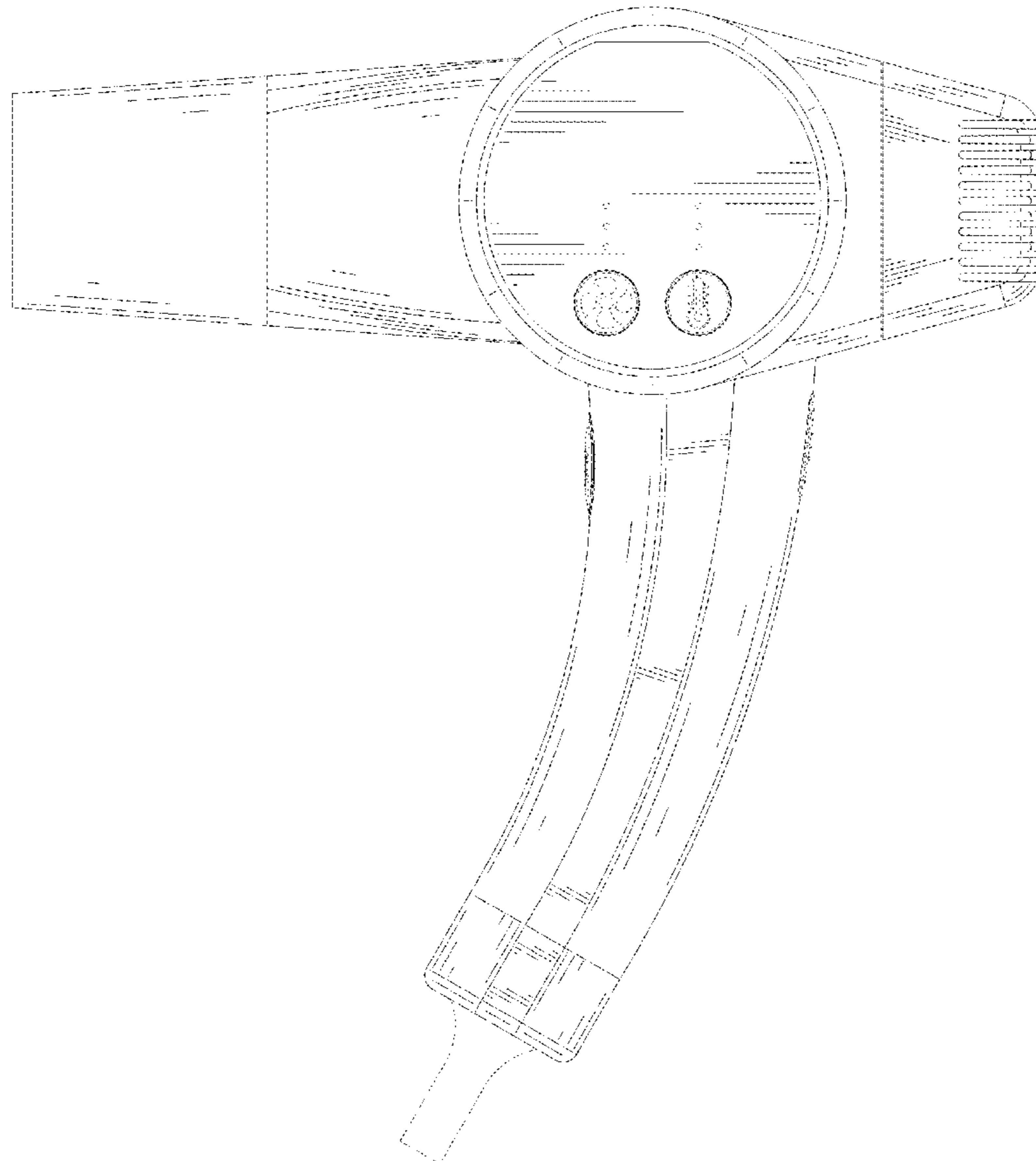
FIG. 1 is a front, left and top perspective view of a hair dryer, showing my new design;
FIG. 2 is a rear, right and bottom perspective view thereof;
FIG. 3 is a front view thereof;
FIG. 4 is a rear view thereof;
FIG. 5 is a left side view thereof;
FIG. 6 is a right side view thereof;
FIG. 7 is a top plan view thereof;
FIG. 8 is a bottom plan view thereof; and,
FIG. 9 is an enlarged view of portion of FIG. 2 thereof.
The broken lines shown in the drawings illustrate portions of the hair dryer that form no part of the claimed design.

(56) **References Cited**

U.S. PATENT DOCUMENTS

D434,182 S * 11/2000 Cheung D28/16
D600,403 S * 9/2009 Leung D28/13

1 Claim, 9 Drawing Sheets



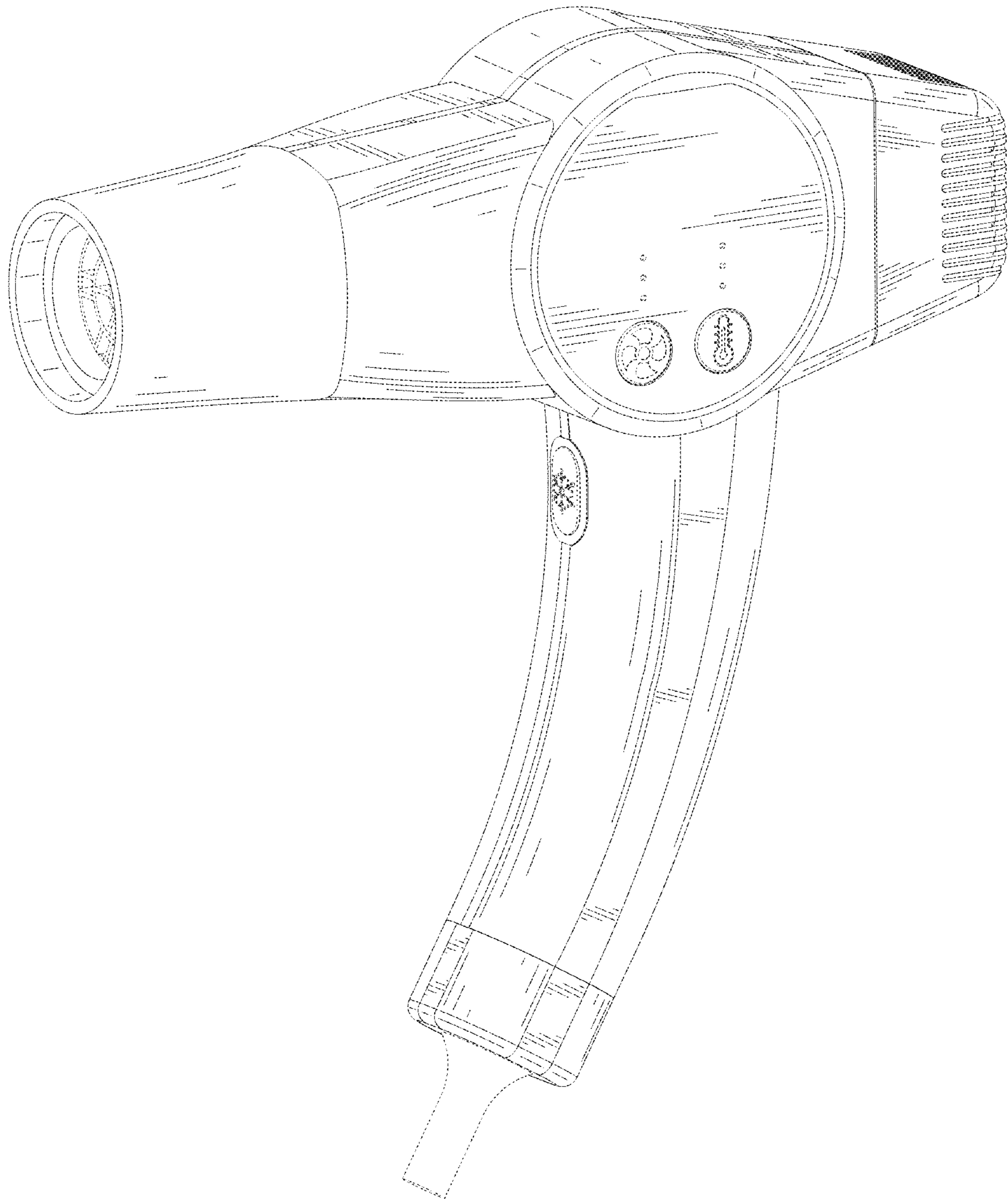


FIG. 1

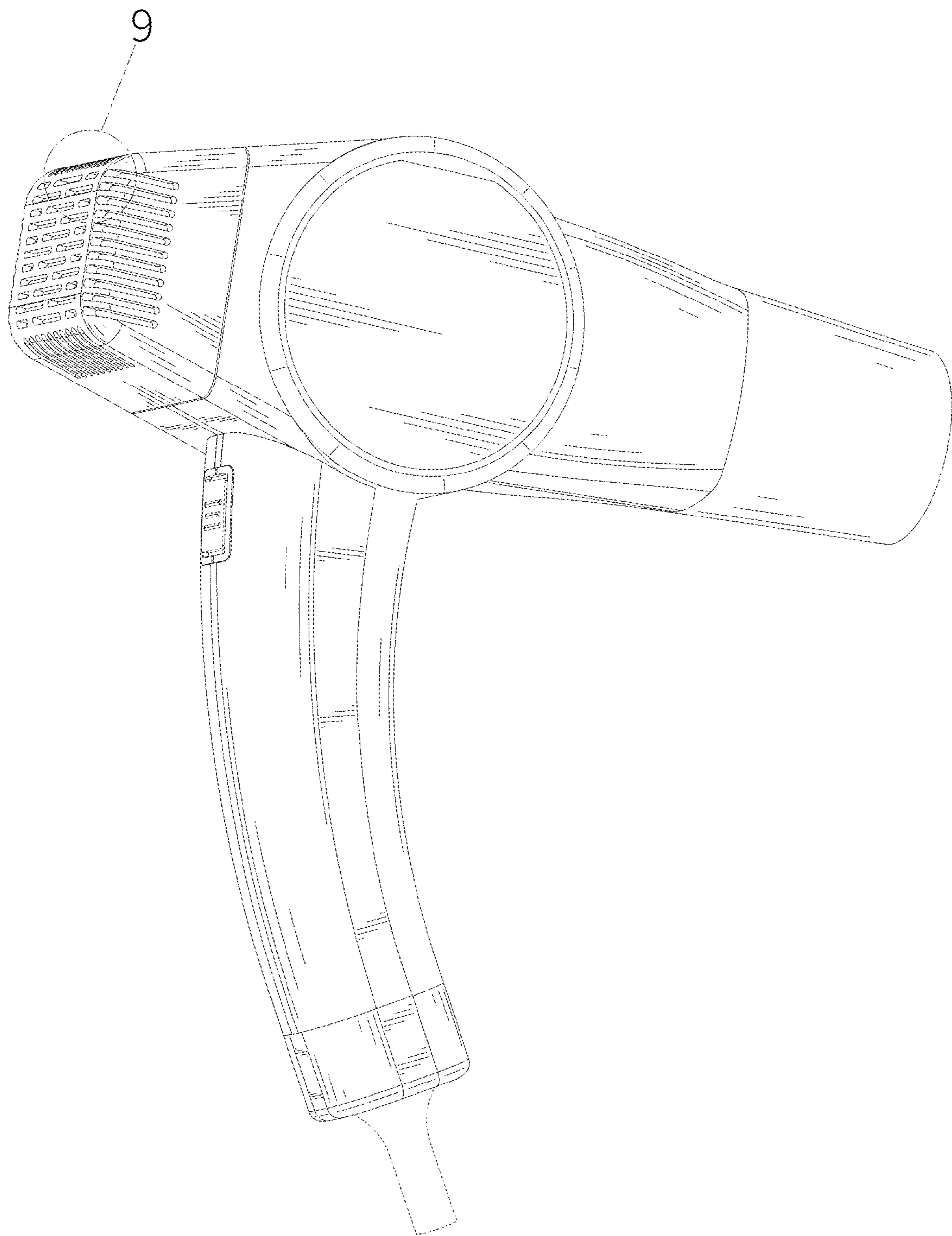


FIG. 2

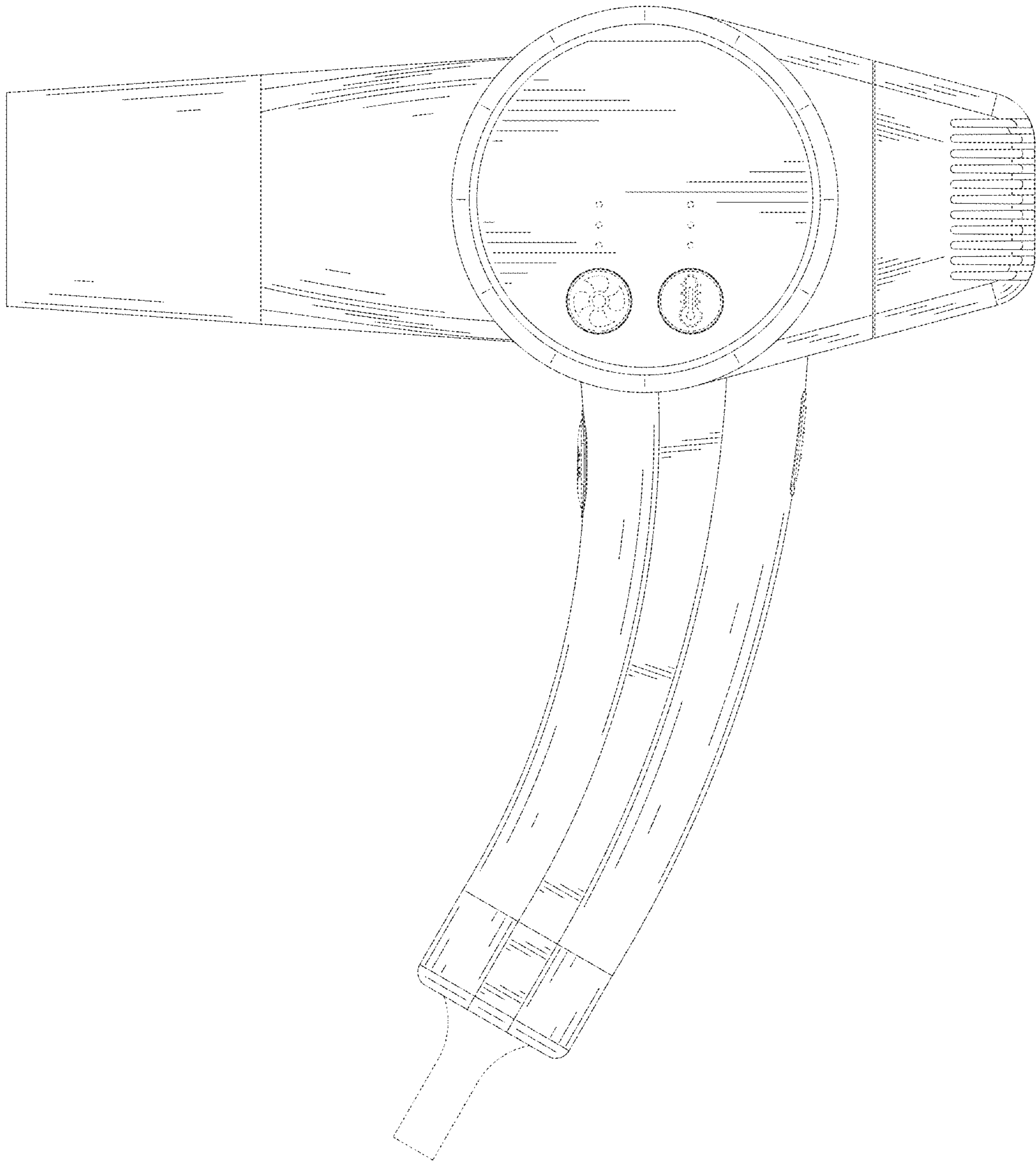


FIG. 3

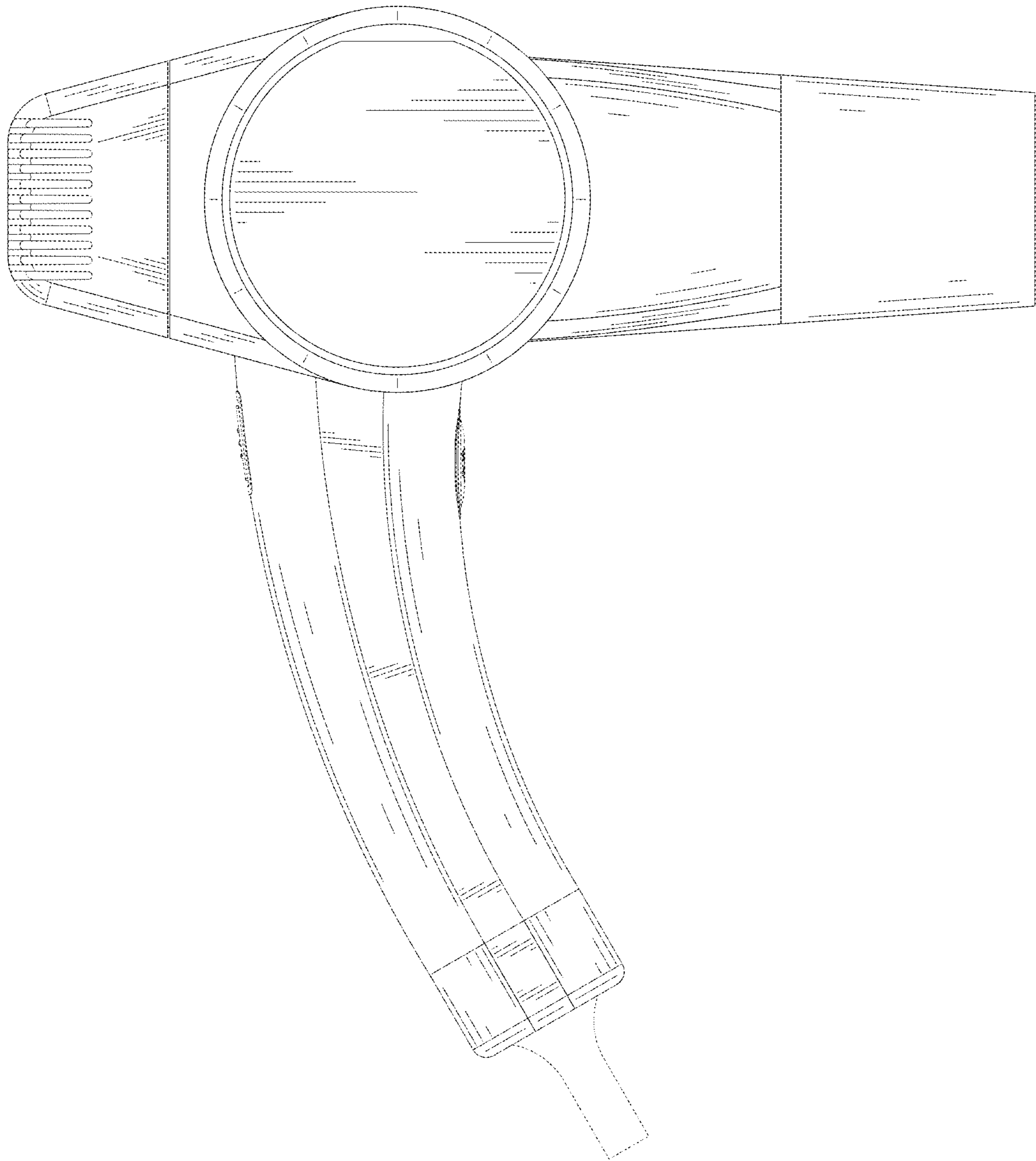


FIG. 4

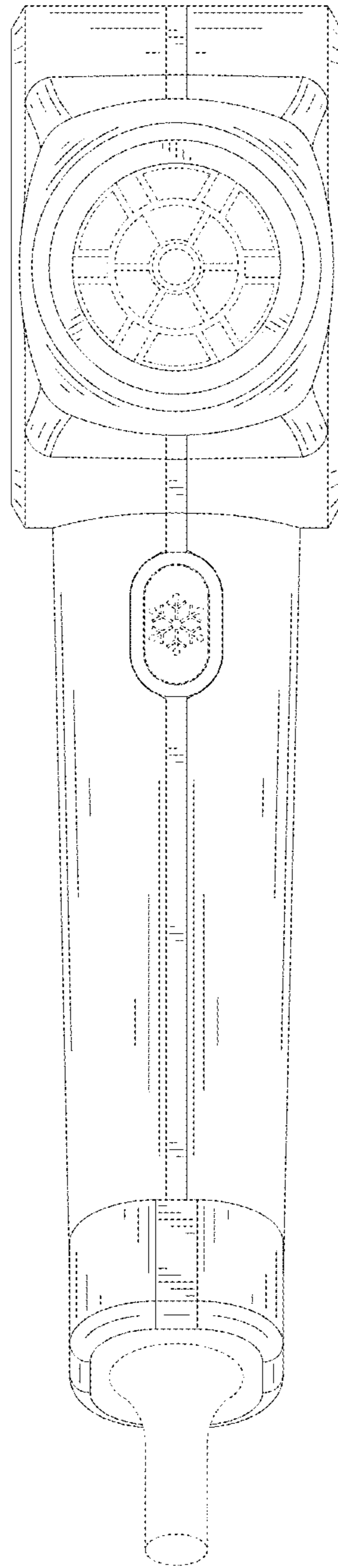


FIG. 5

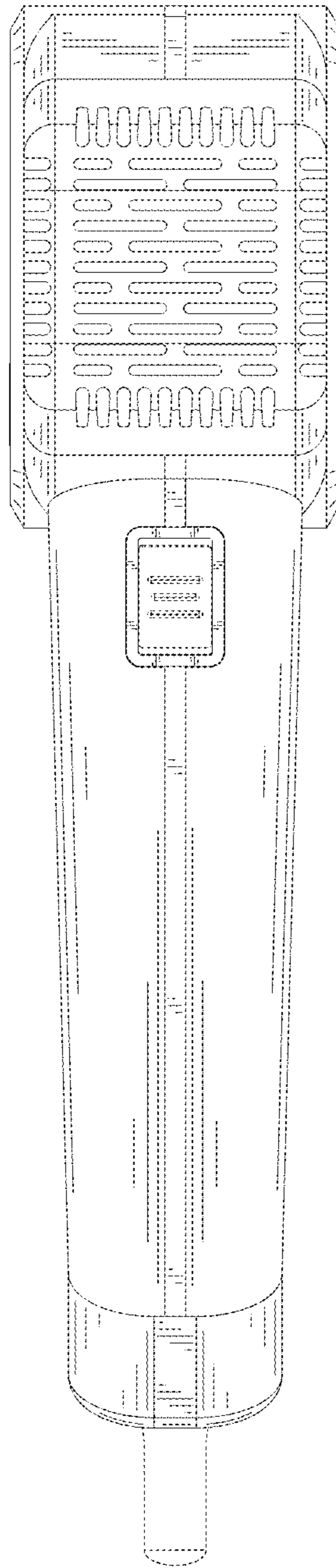


FIG. 6

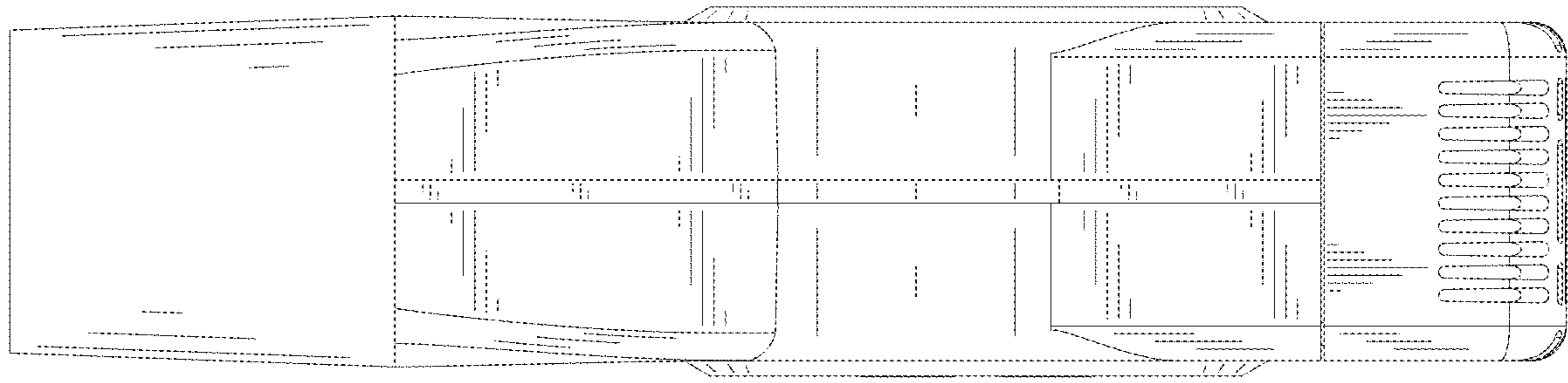


FIG. 7

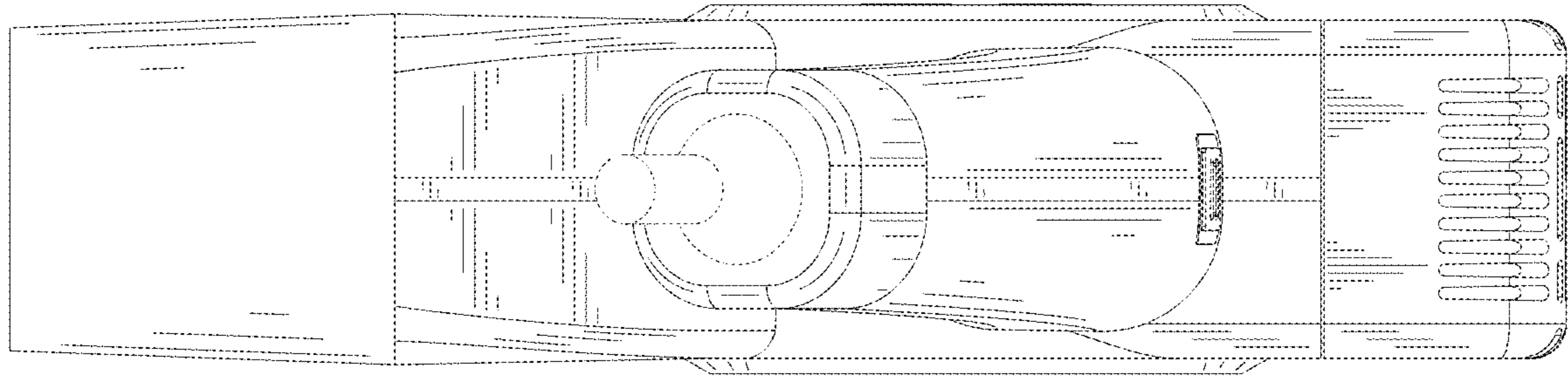


FIG. 8

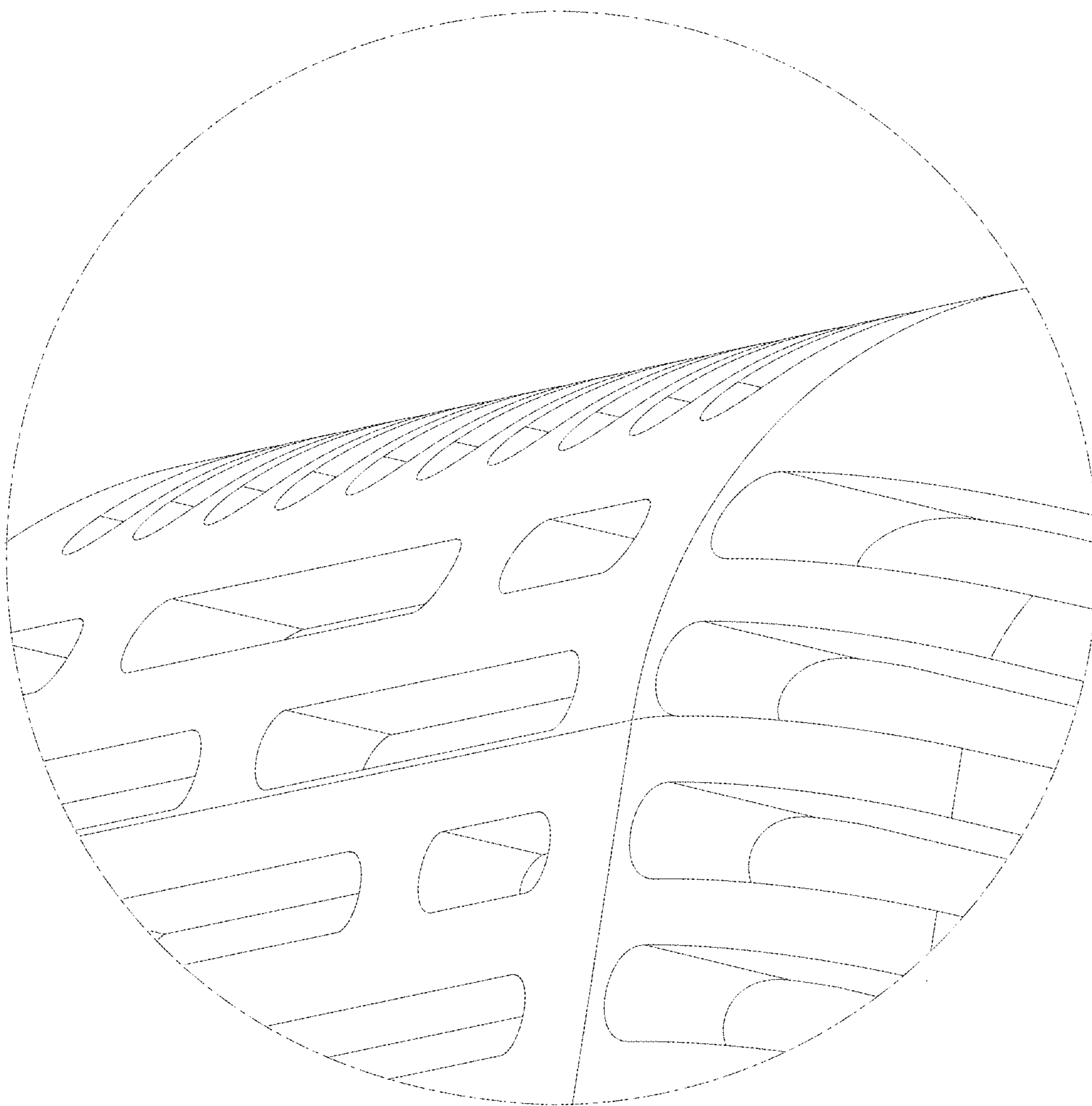


FIG. 9