



US0D1027184S

(12) **United States Design Patent** (10) **Patent No.:** **US D1,027,184 S**
Smith et al. (45) **Date of Patent:** **** May 14, 2024**

(54) **EAR CLIP**

(71) Applicant: **Socrates Health Solutions, Inc.**,
Dallas, TX (US)

(72) Inventors: **Scott J. Smith**, Dallas, TX (US);
Douglas F. Sutherland, Luxembourg
(LU); **Valentin Korman**, Huntsville,
AL (US); **Tyde Meadows**, Hartselle,
AL (US)

(73) Assignee: **Socrates Health Solutions, Inc.**,
Dallas, TX (US)

(**) Term: **15 Years**

(21) Appl. No.: **29/868,498**

(22) Filed: **Dec. 5, 2022**

Related U.S. Application Data

(63) Continuation of application No. 29/756,853, filed on
Oct. 30, 2020, now Pat. No. Des. 974,569, which is a
continuation of application No. 29/693,970, filed on
Jun. 6, 2019, now Pat. No. Des. 903,878, which is a
continuation-in-part of application No. 29/635,205,
filed on Jan. 29, 2018, now Pat. No. Des. 855,808.

(51) **LOC (14) Cl.** **24-02**

(52) **U.S. Cl.**
USPC **D24/186**; D24/169

(58) **Field of Classification Search**
USPC D24/164–169, 173–174, 185–188, 107,
D24/200, 231; D14/341, 344, 205, 249;
D11/3, 42; D10/46, 52, 57, 96, 103
CPC A61B 5/01; A61B 5/0006; A61B 5/0059;
A61B 5/332; A61B 5/333; A61B 5/24;
A61B 5/02438; A61B 5/002; A61B
5/0002; A61B 5/022; A61B 5/0205; A61B
5/68; A61B 5/6801–6829; A61B
2562/0271; G16H 15/00; G16H 50/00;
G16H 50/20–80; G16H 80/00; G16H
20/00; G16H 20/30; G06K 19/07762;
G01N 33/66

See application file for complete search history.

(56) **References Cited**

U.S. PATENT DOCUMENTS

D322,070 S 12/1991 Kitch
D331,928 S 12/1992 McDowell
(Continued)

FOREIGN PATENT DOCUMENTS

CN 305333475 * 9/2019
CN 307915063 * 3/2023
GB 9005517042-0001 * 7/2018

OTHER PUBLICATIONS

Front Digital Health, Accurate detection of heart rate with an in-ear
sensor, Uploaded on: Aug. 17, 2022, Cosinuss.com, Retrieved from
Internet: <https://www.cosinuss.com/en/2022/08/19/published-paper-on-accurate-detection-of-heart-rate-with-an-in-ear-sensor/> (Year: 2022).*

(Continued)

Primary Examiner — Jennifer L Rempfer

Assistant Examiner — Edward P Jones

(74) *Attorney, Agent, or Firm* — Foley & Lardner LLP

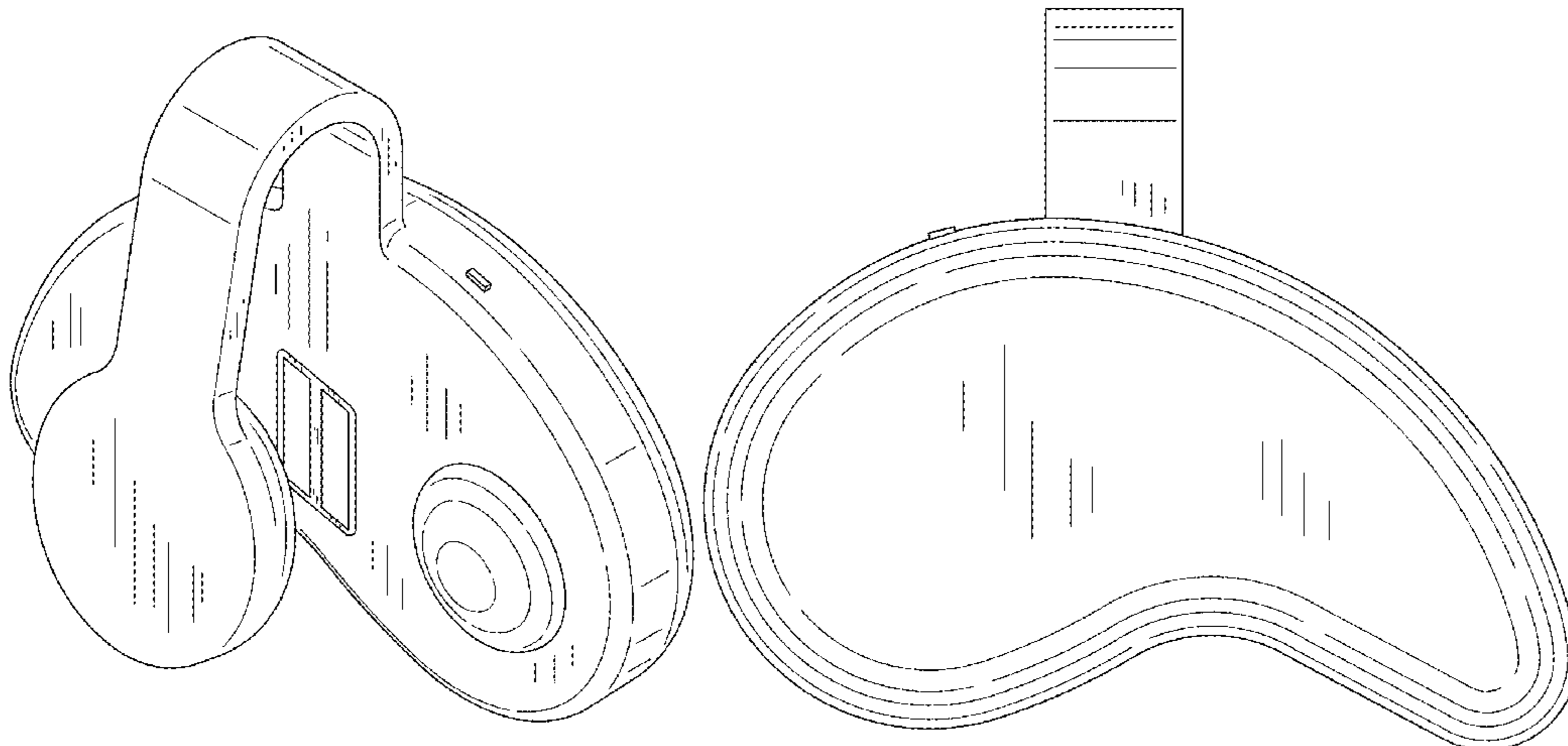
(57) **CLAIM**

The ornamental design for an ear clip, as shown and
described.

DESCRIPTION

FIG. 1 is a rear perspective view of an ear clip;
FIG. 2 is a rear elevation view of the ear clip;
FIG. 3 is a front elevation view of the ear clip;
FIG. 4 is left side elevation view of the ear clip
FIG. 5 is right side elevation view of the ear clip;
FIG. 6 is a top view of the ear clip; and,
FIG. 7 is a bottom view of the ear clip.

1 Claim, 7 Drawing Sheets



(56)

References Cited

U.S. PATENT DOCUMENTS

5,459,290 A 10/1995 Yamagishi
 5,551,423 A * 9/1996 Sugiura A61B 5/6816
 600/323
 5,735,143 A * 4/1998 Tanaka A44C 7/00
 63/14.3
 D578,222 S 10/2008 Sakurai et al.
 D599,329 S 9/2009 Champkins
 D623,306 S 9/2010 Boyer
 D636,879 S 4/2011 Dubs
 D664,115 S 7/2012 Allard et al.
 D667,813 S 9/2012 Hickson
 D670,396 S 11/2012 Doogan
 D709,392 S * 7/2014 Wang D10/70
 D717,443 S 11/2014 Hughes et al.
 D729,655 S * 5/2015 Bauer D10/70
 D730,225 S * 5/2015 Behar D10/103
 D736,741 S 8/2015 Katz
 D751,558 S * 3/2016 Lee D10/103
 D760,190 S 6/2016 Sova, Jr.
 D762,858 S 8/2016 Iwabuchi
 D796,686 S * 9/2017 Internicola D24/200
 D802,152 S 11/2017 Wakefield et al.
 D809,664 S 2/2018 Ma et al.
 D855,808 S * 8/2019 Smith D24/186
 D884,670 S 5/2020 White
 D903,878 S * 12/2020 Smith D24/186

D916,291 S * 4/2021 Fernando D24/169
 D923,607 S 6/2021 Hosoda
 D930,840 S 9/2021 Misiaszek
 D942,742 S 2/2022 King
 D974,569 S * 1/2023 Smith D24/186
 D976,435 S * 1/2023 Kim D24/216
 D1,002,582 S * 10/2023 Fernando D24/169
 2007/0260131 A1 11/2007 Chin
 2010/0217103 A1 8/2010 Abdul-Hafiz et al.
 2013/0218025 A1 8/2013 Tverskoy
 2015/0351688 A1 12/2015 Just et al.
 2020/0100938 A1 4/2020 King
 2021/0290079 A1 * 9/2021 Sheldon A61B 5/318
 2023/0284921 A1 * 9/2023 Just A61B 5/02416
 600/407

OTHER PUBLICATIONS

Dodano, What's new in the world? Ear glucose measurement!,
 Published on: Nov. 12, 2020, SugarCubes.pl, Retrieved from Inter-
 net: <https://en.sugarcubes.pl/news/n/48/whats-new-in-the-world-ear-glucose-measurement> (Year: 2020).*
 Socrates. Socrates Health Solutions Products, Socrateshealthsolutions.
 com, Downloaded on: Jan. 23, 2018; Retrieved from Internet:
<https://web.archive.org/web/20180123151834/http://socrateshealthsolutions.com/product.html> (Year: 2018).*

* cited by examiner

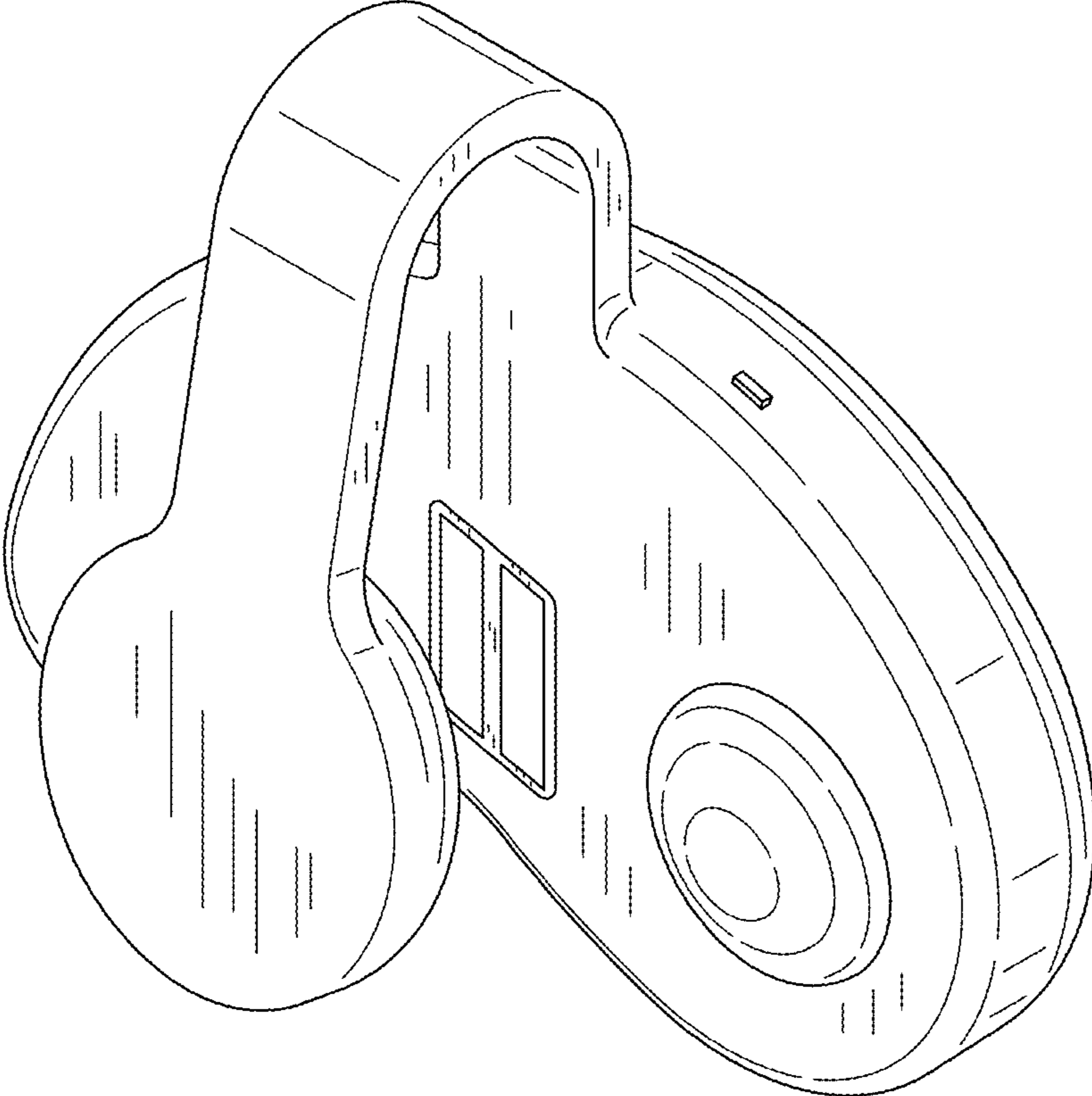


FIG.1

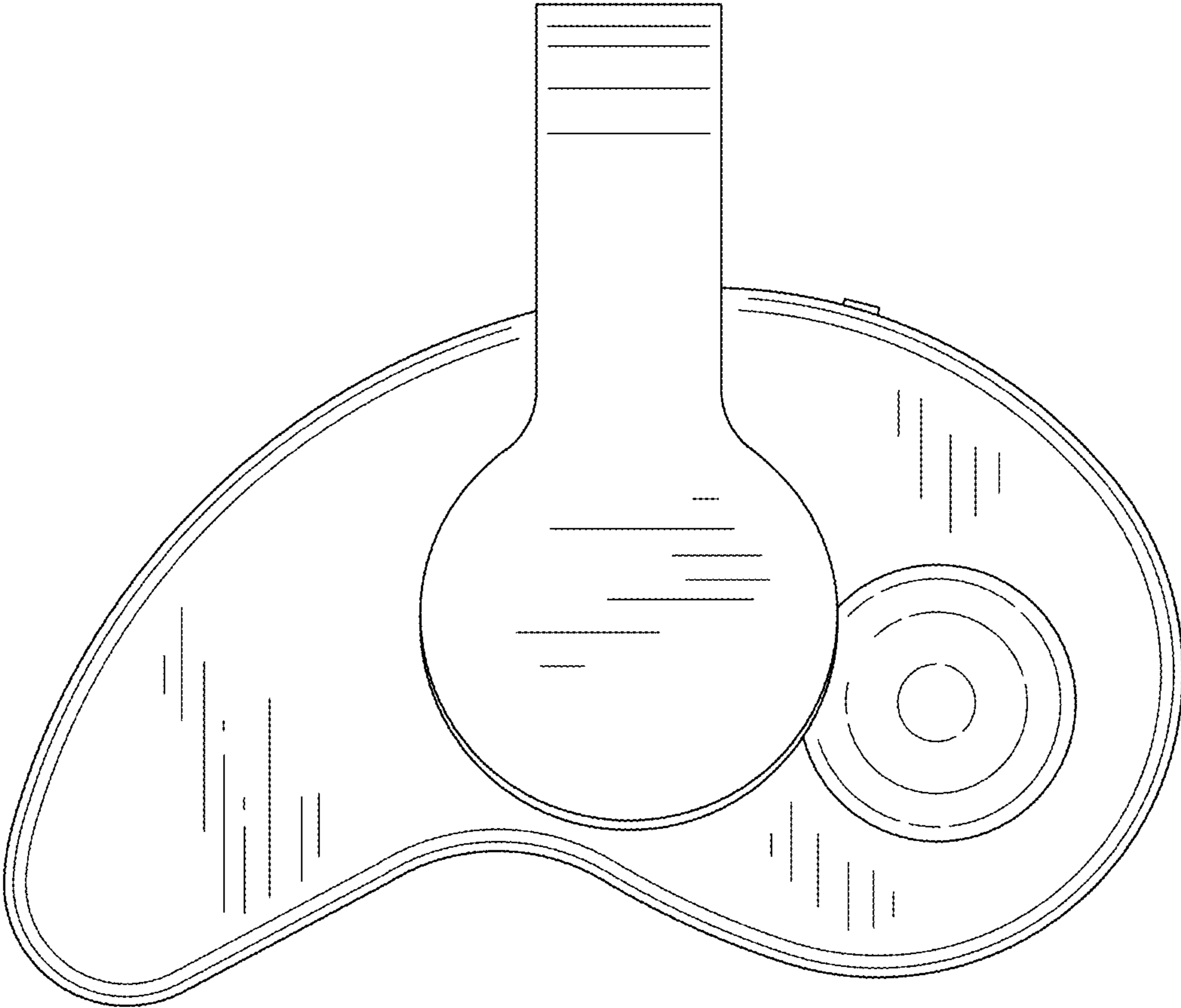


FIG.2

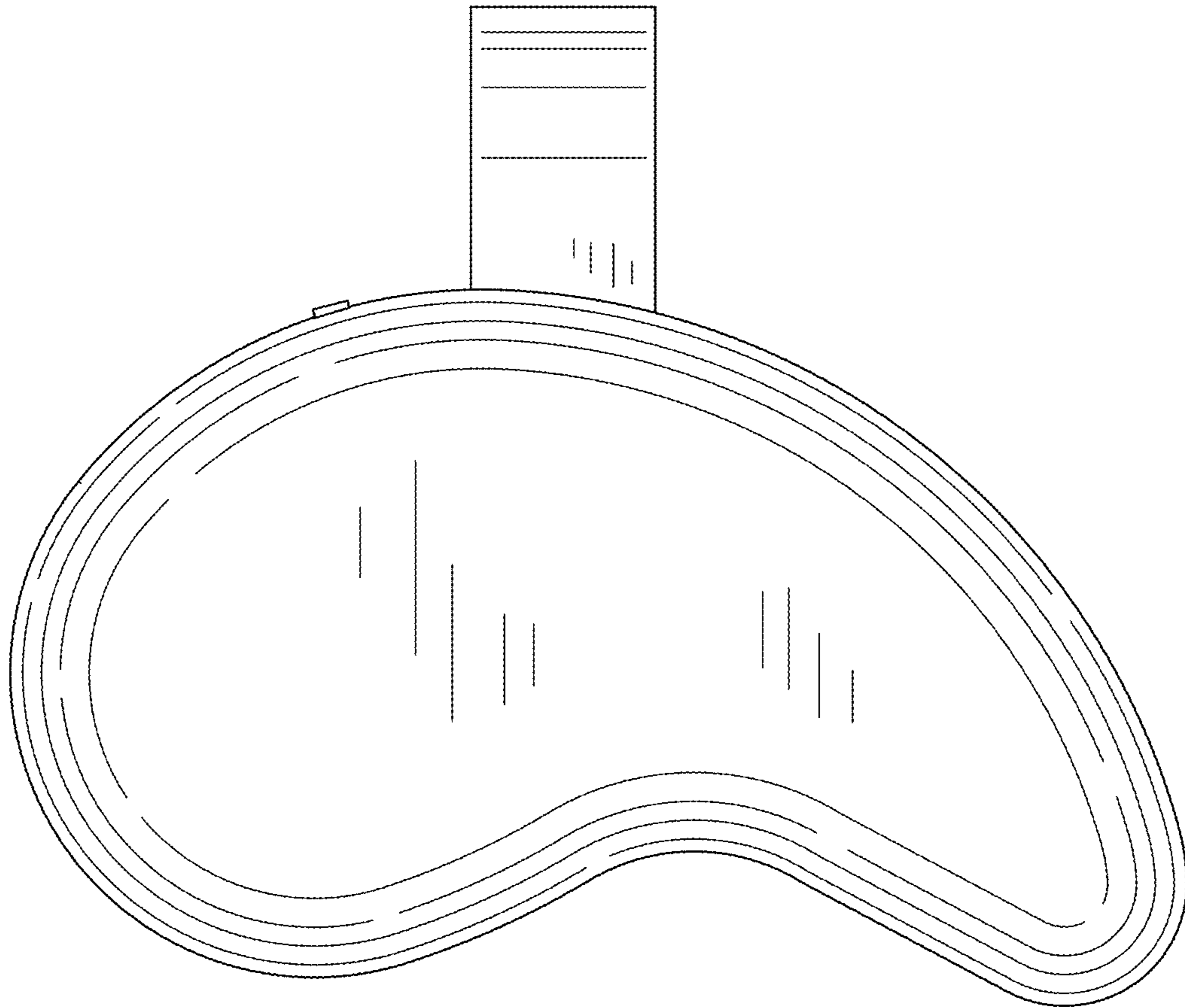


FIG.3

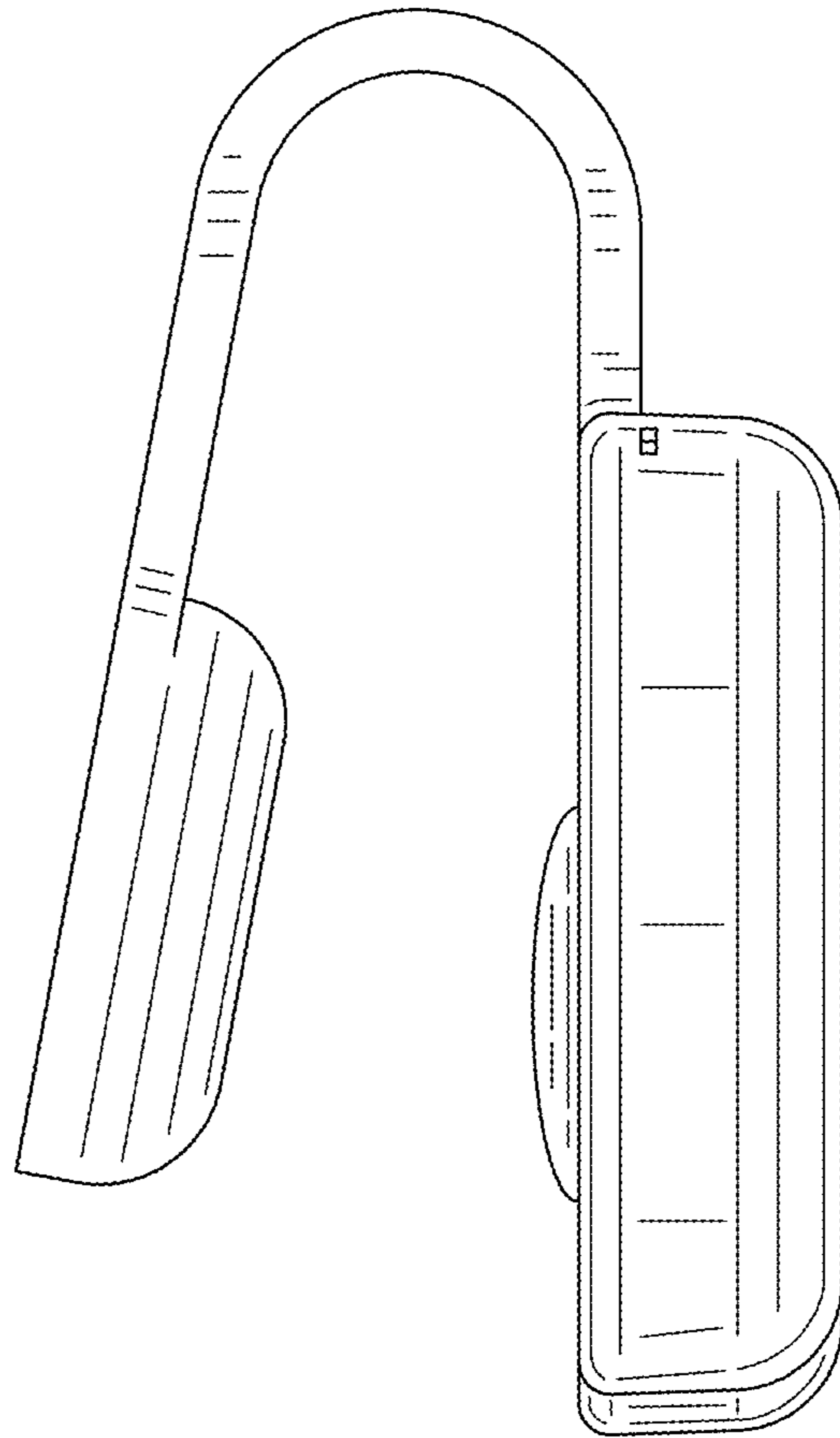


FIG.4

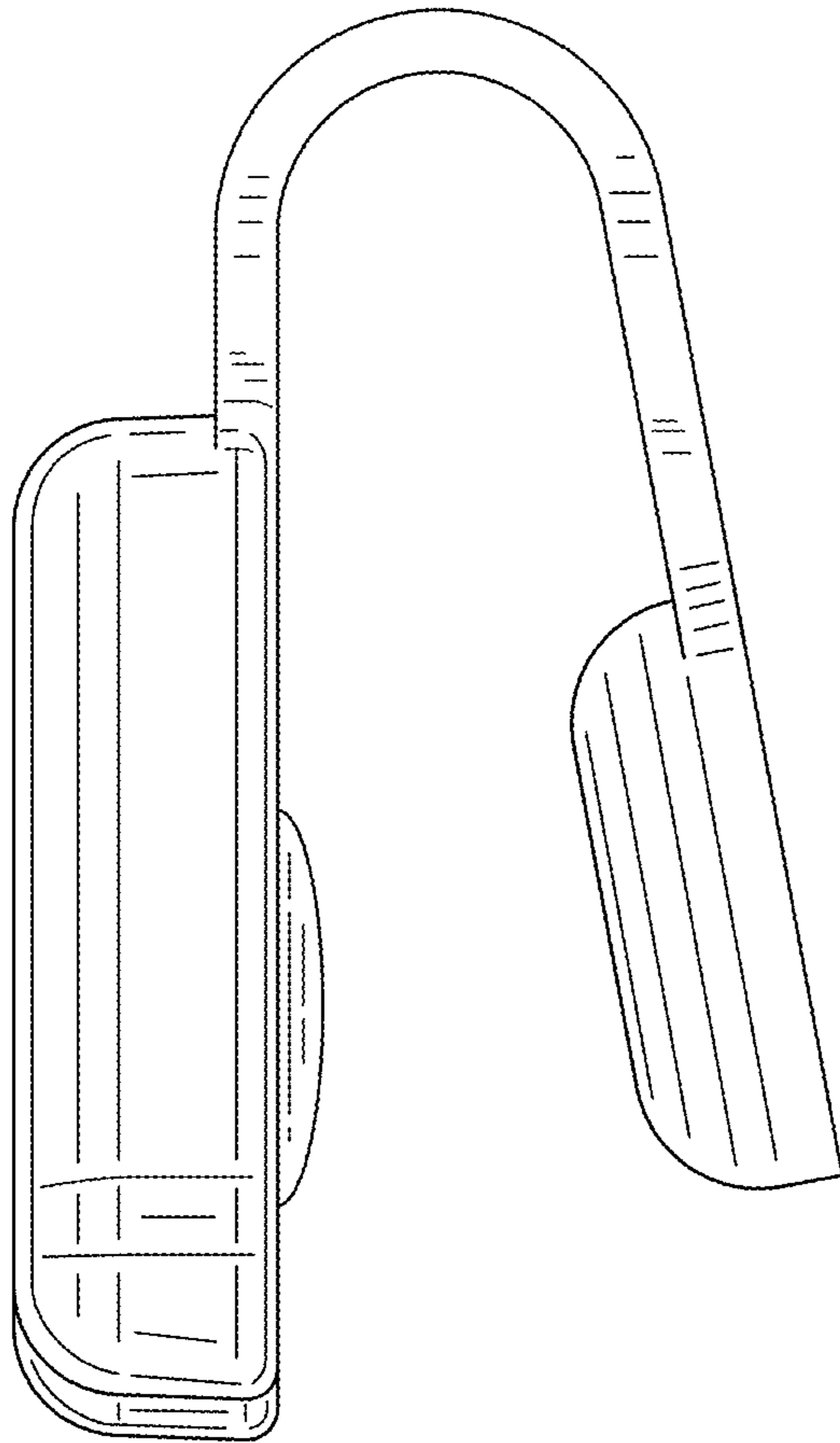


FIG.5

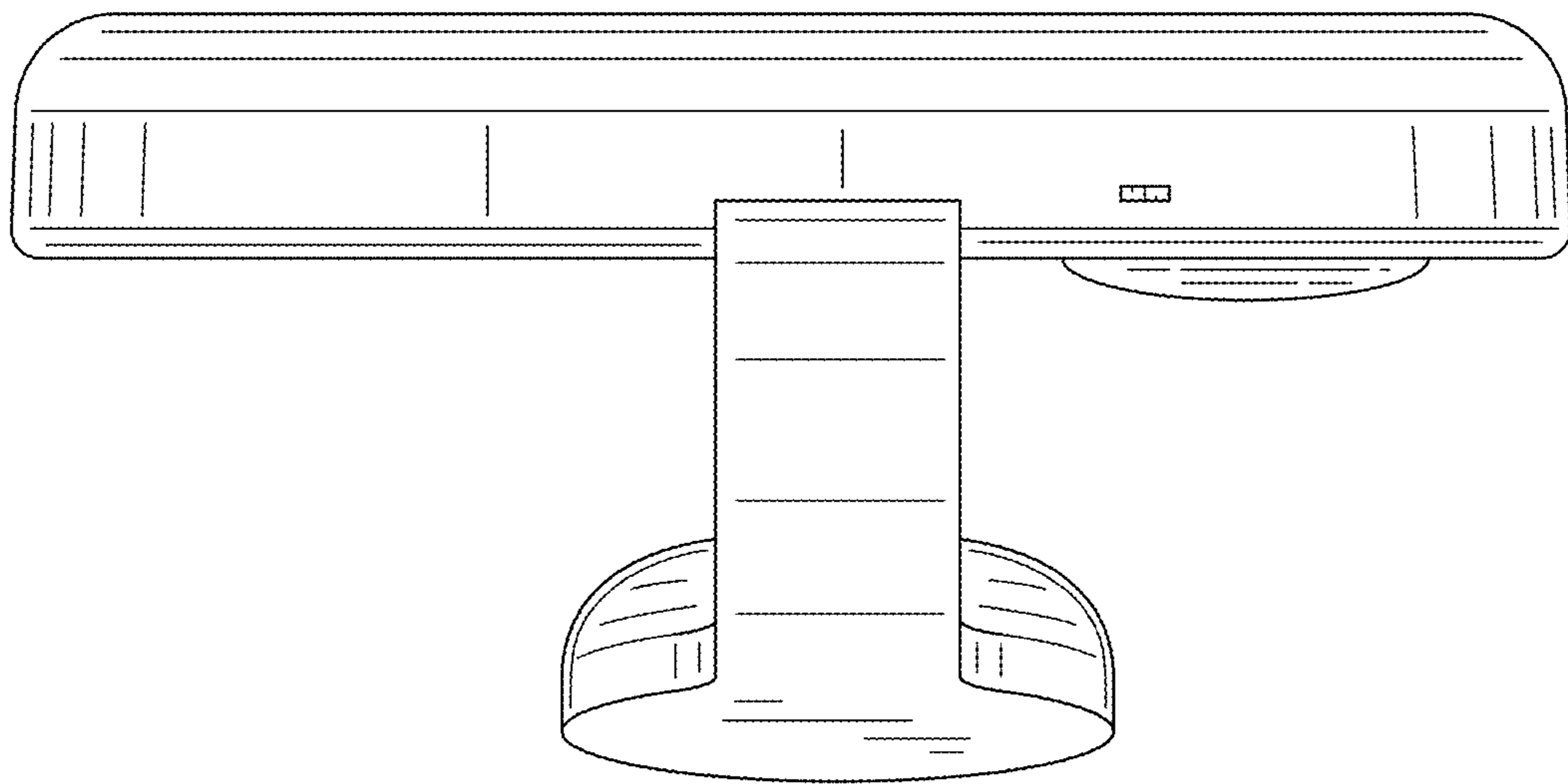


FIG.6

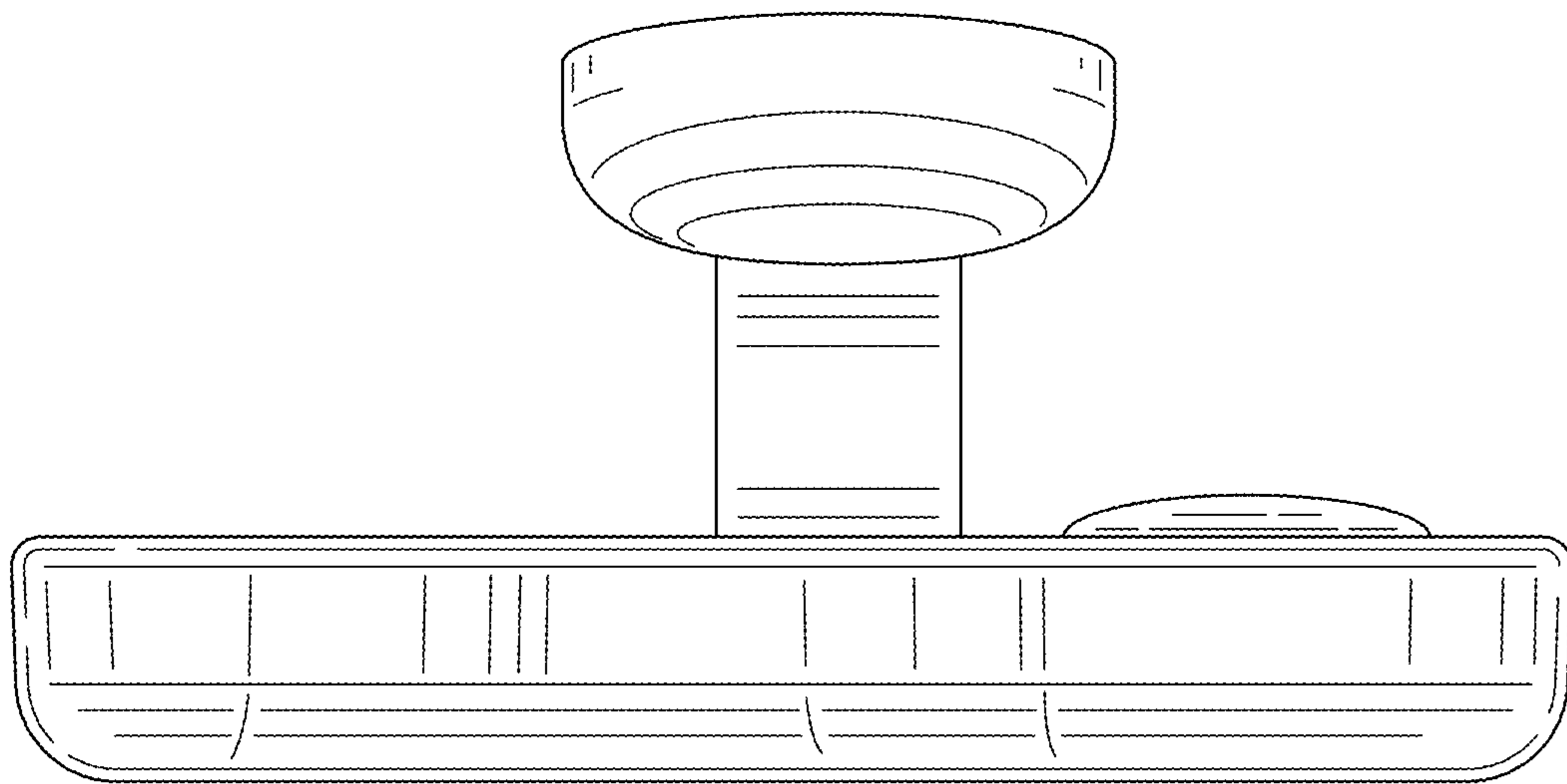


FIG.7