



US0D1027160S

(12) **United States Design Patent**
Zhang

(10) **Patent No.:** **US D1,027,160 S**

(45) **Date of Patent:** **** May 14, 2024**

(54) **OUTDOOR FAN**

(71) Applicant: **Daobin Zhang**, Shenzhen (CN)

(72) Inventor: **Daobin Zhang**, Shenzhen (CN)

(73) Assignee: **Daobin Zhang**, Shenzhen (CN)

(**) Term: **15 Years**

(21) Appl. No.: **29/925,063**

(22) Filed: **Jan. 22, 2024**

(51) **LOC (14) Cl.** **23-04**

(52) **U.S. Cl.**
USPC **D23/382**

(58) **Field of Classification Search**
USPC D23/370, 378, 380-382, 411
CPC F04D 29/441; F04D 25/084; F04D 25/088
See application file for complete search history.

(56) **References Cited**

U.S. PATENT DOCUMENTS

D846,728 S	*	4/2019	Wang	D23/382
D868,327 S	*	11/2019	Wu	D26/59
D903,849 S	*	12/2020	Li	D23/382
D935,597 S	*	11/2021	Zhao	D23/382
D945,591 S	*	3/2022	Mo	D23/382
D945,592 S		3/2022	Mo		
D992,719 S	*	7/2023	Lin	D23/382
D997,337 S	*	8/2023	Mei	D23/382

D998,133 S	*	9/2023	Zhang	D23/382
D1,003,418 S	*	10/2023	Zhang	D23/370
D1,010,793 S	*	1/2024	Zeng	D23/370
D1,013,149 S	*	1/2024	Wei	D23/381

* cited by examiner

Primary Examiner — Janice Hallmark

(74) *Attorney, Agent, or Firm* — Nitin Kaushik

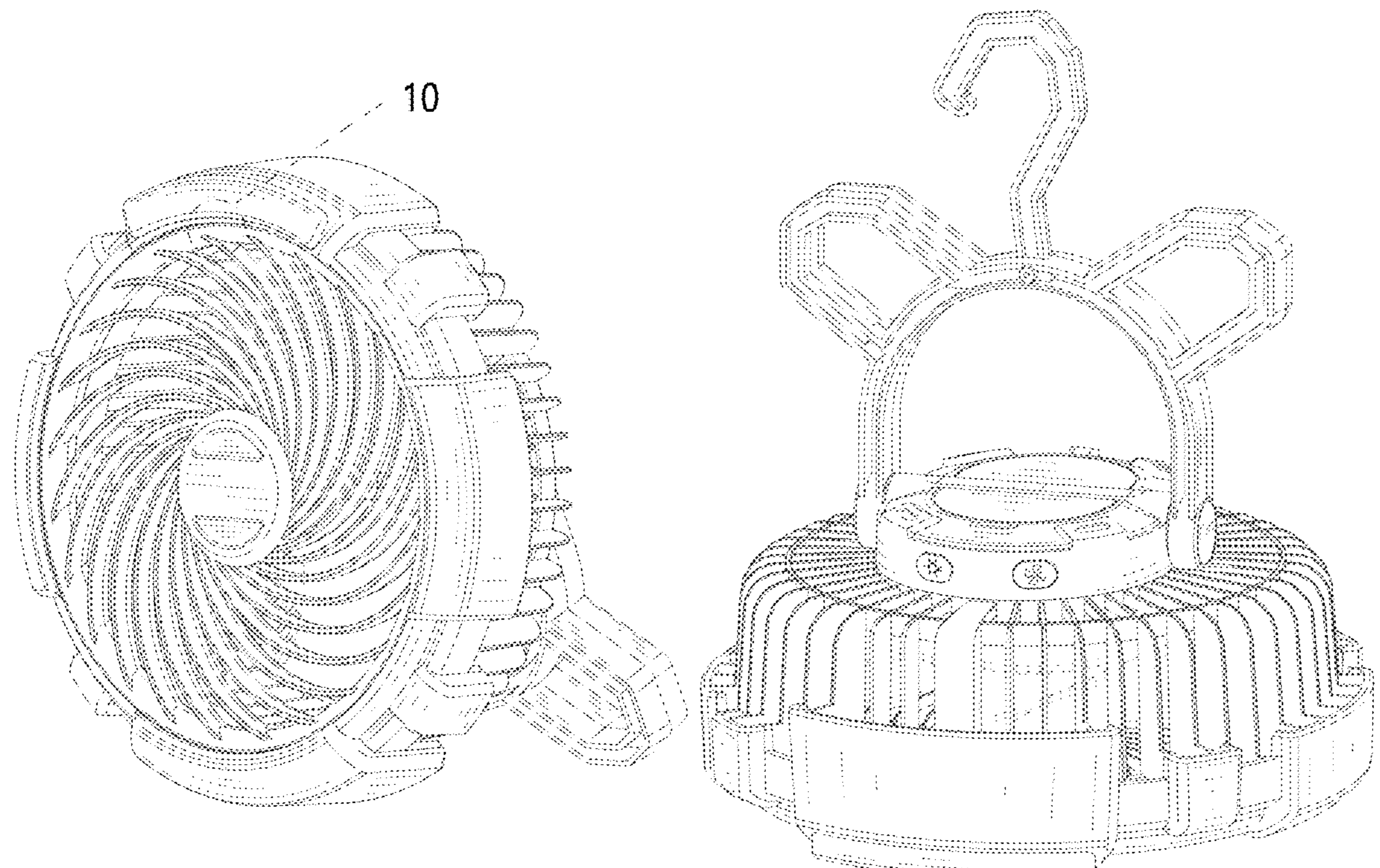
(57) **CLAIM**

The ornamental design for an outdoor fan, as shown and described.

DESCRIPTION

FIG. 1 is a front perspective view of an outdoor fan, showing my new design;
 FIG. 2 is a rear perspective view thereof;
 FIG. 3 is a front view thereof;
 FIG. 4 is a rear view thereof;
 FIG. 5 is a left side view thereof;
 FIG. 6 is a right side view thereof;
 FIG. 7 is a top view thereof;
 FIG. 8 is a bottom view thereof;
 FIG. 9 is its state diagram;
 FIG. 10 is an enlarged detail view of area 10 in FIG. 1;
 FIG. 11 is an enlarged detail view of area 11 in FIG. 2; and,
 FIG. 12 is an enlarged detail view of area 11 in FIG. 7.
 The broken lines in the drawings illustrate the portions of the outdoor fan, which form no part of the claimed design.
 The dash-dot-dash broken lines encircling the enlarged views are for annotative purposes only and form no part of the claim thereof.

1 Claim, 12 Drawing Sheets



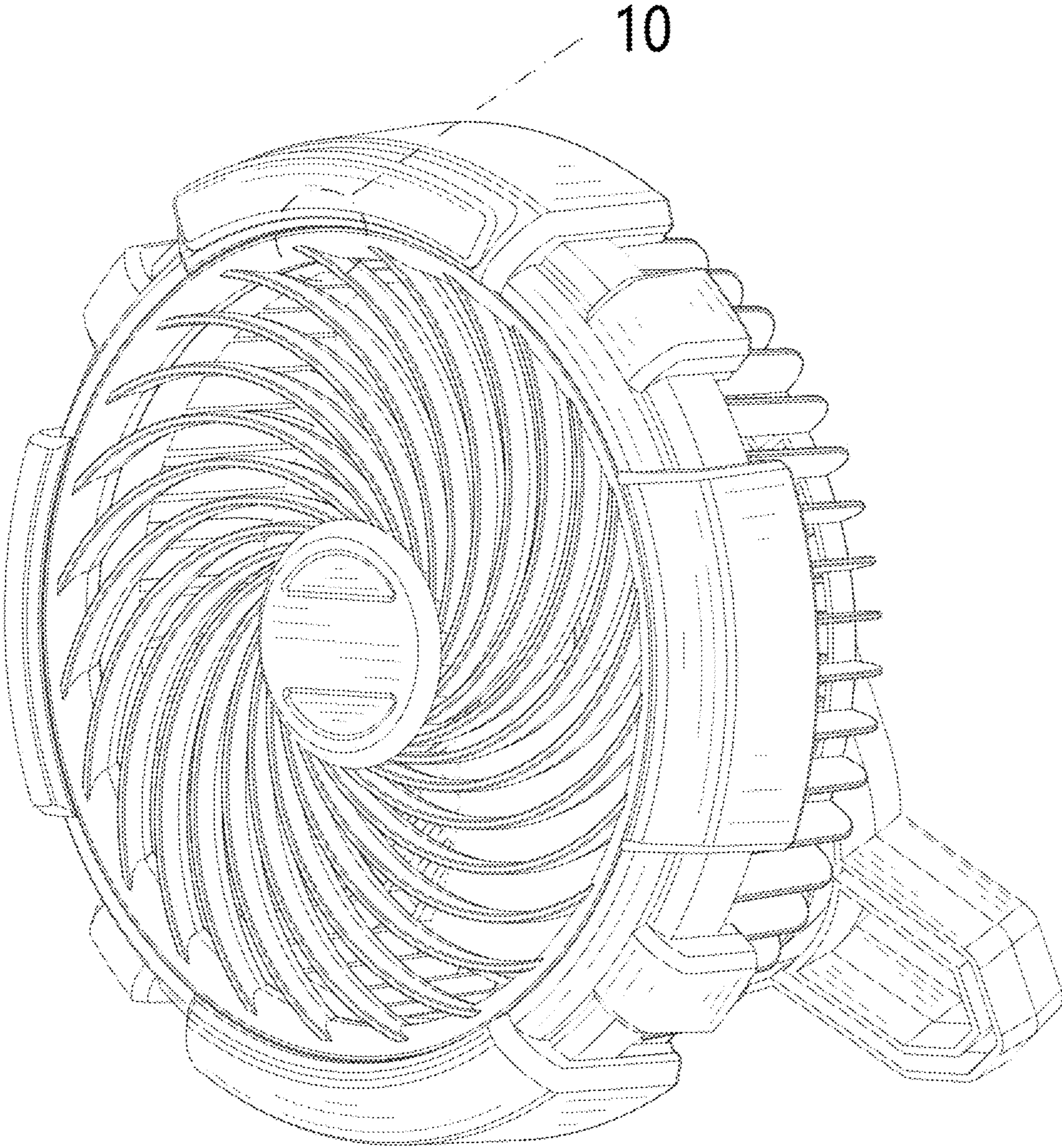


FIG. 1

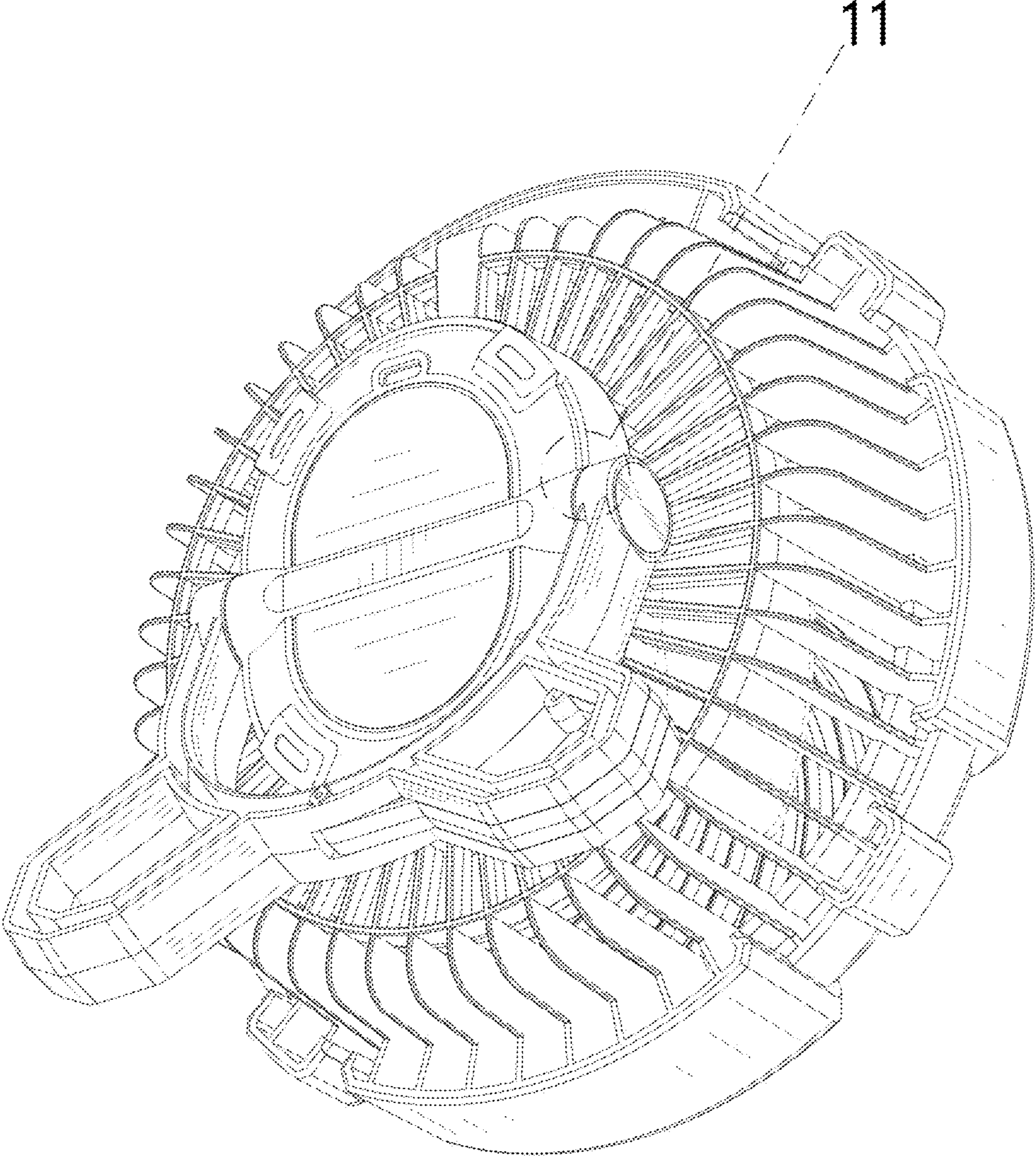


FIG. 2

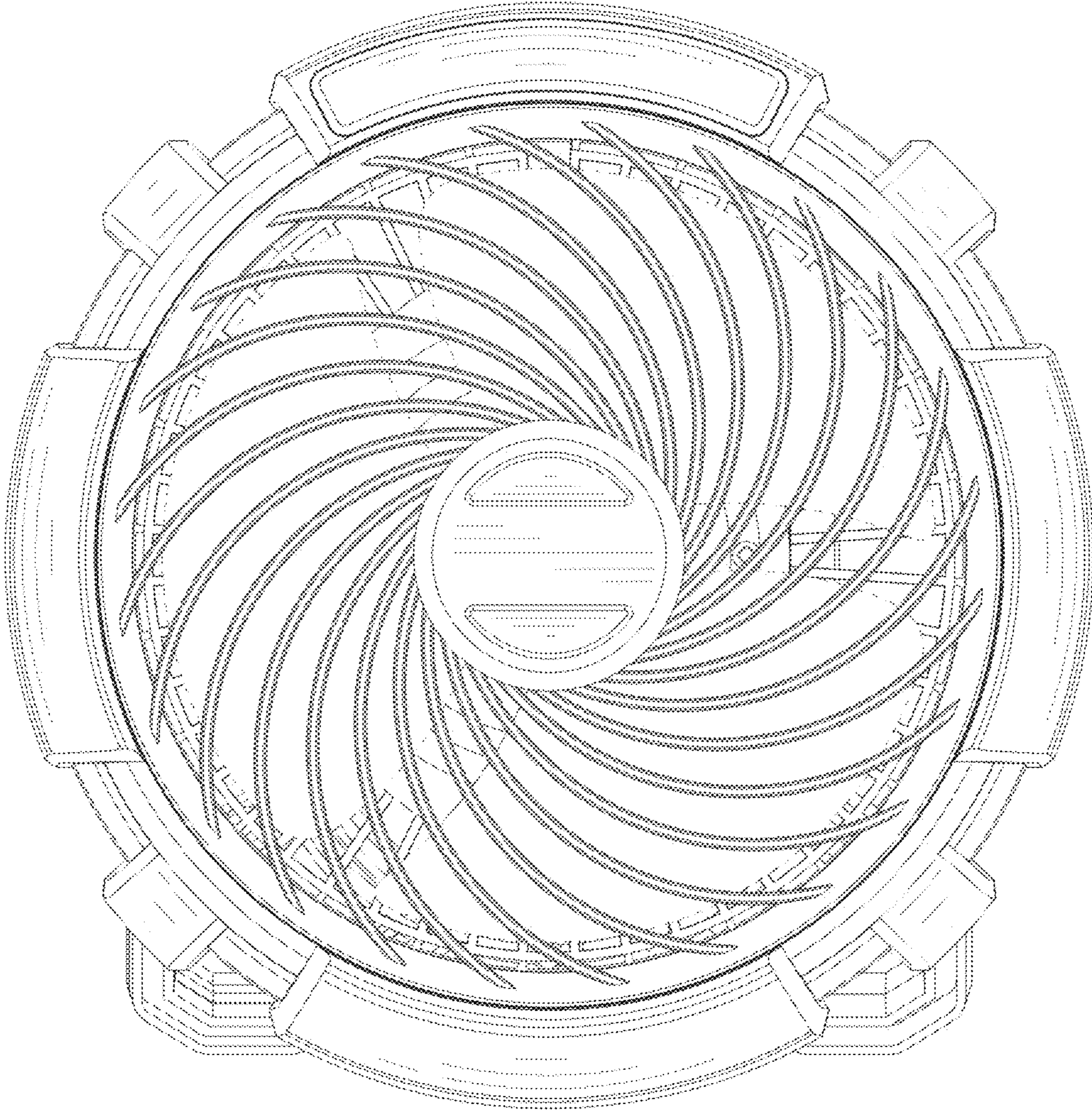


FIG. 3

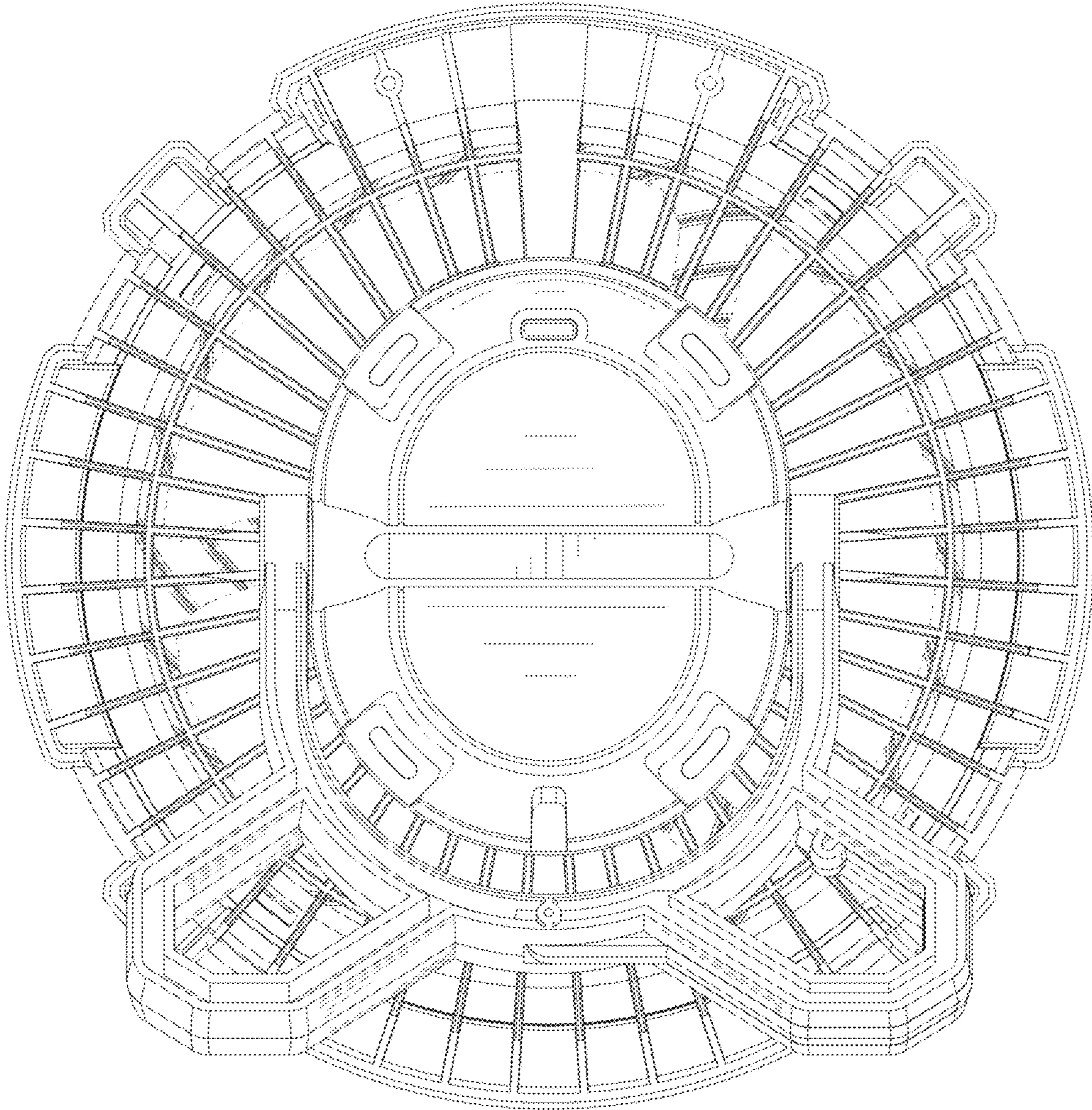


FIG. 4

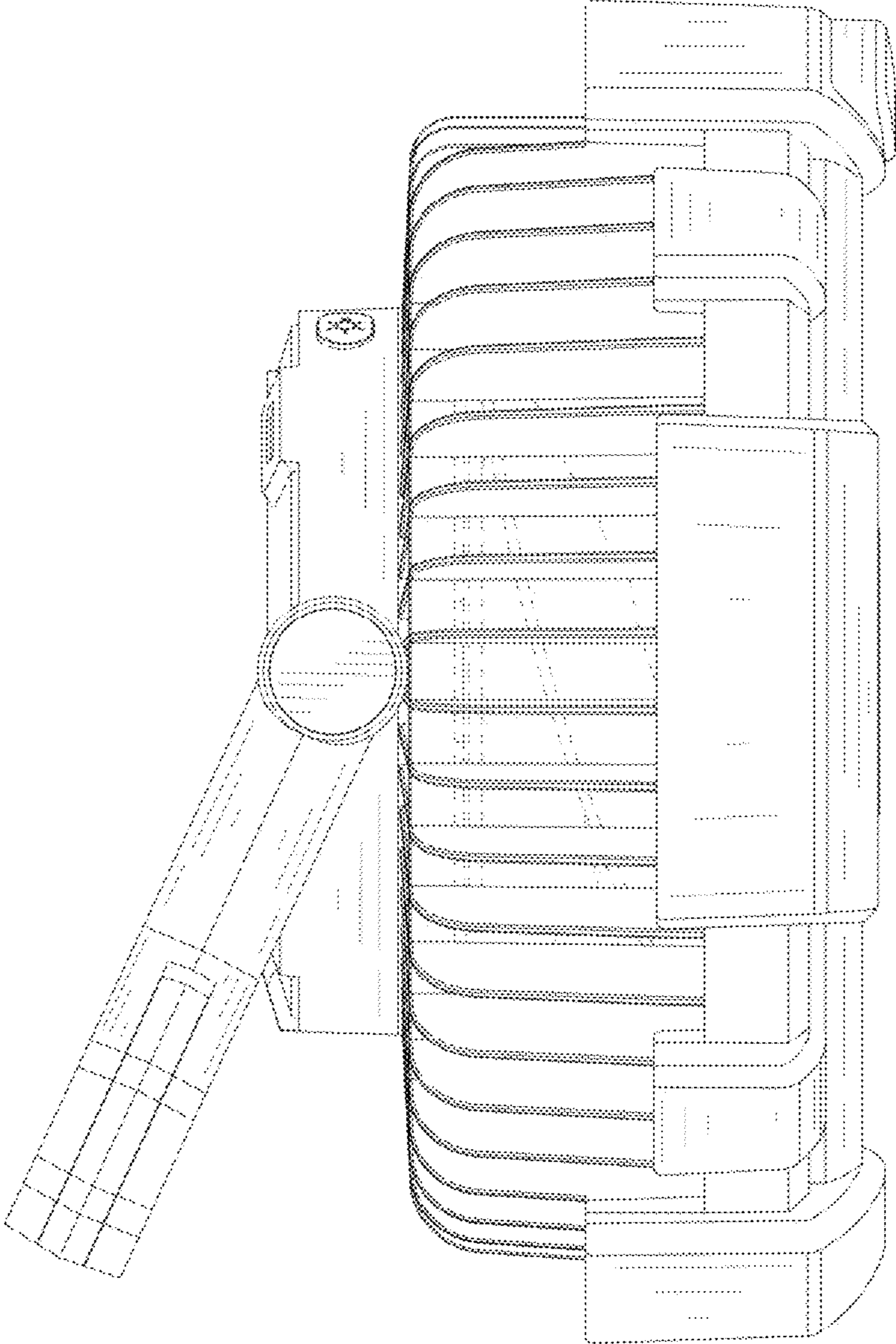


FIG. 5

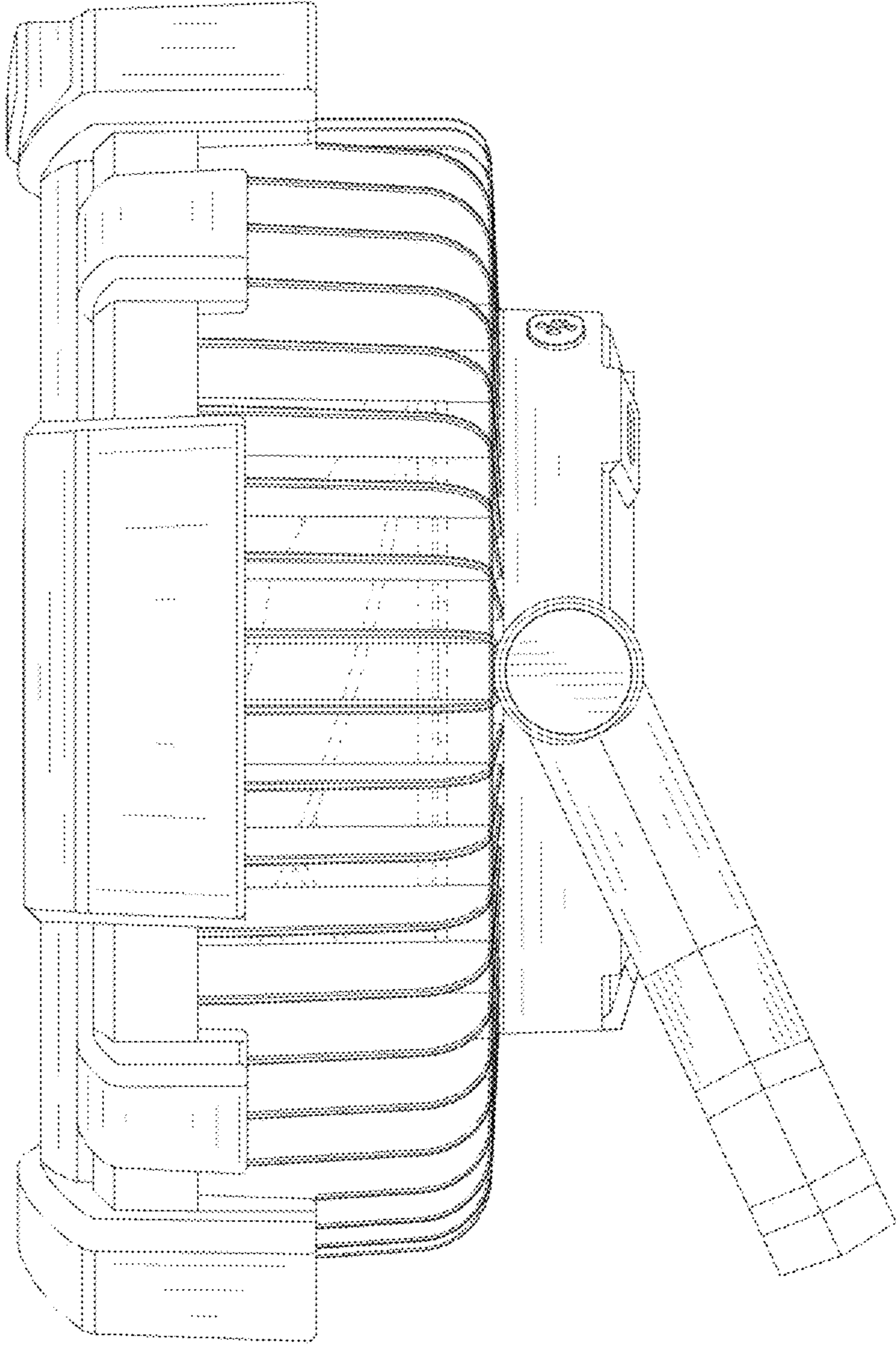


FIG. 6

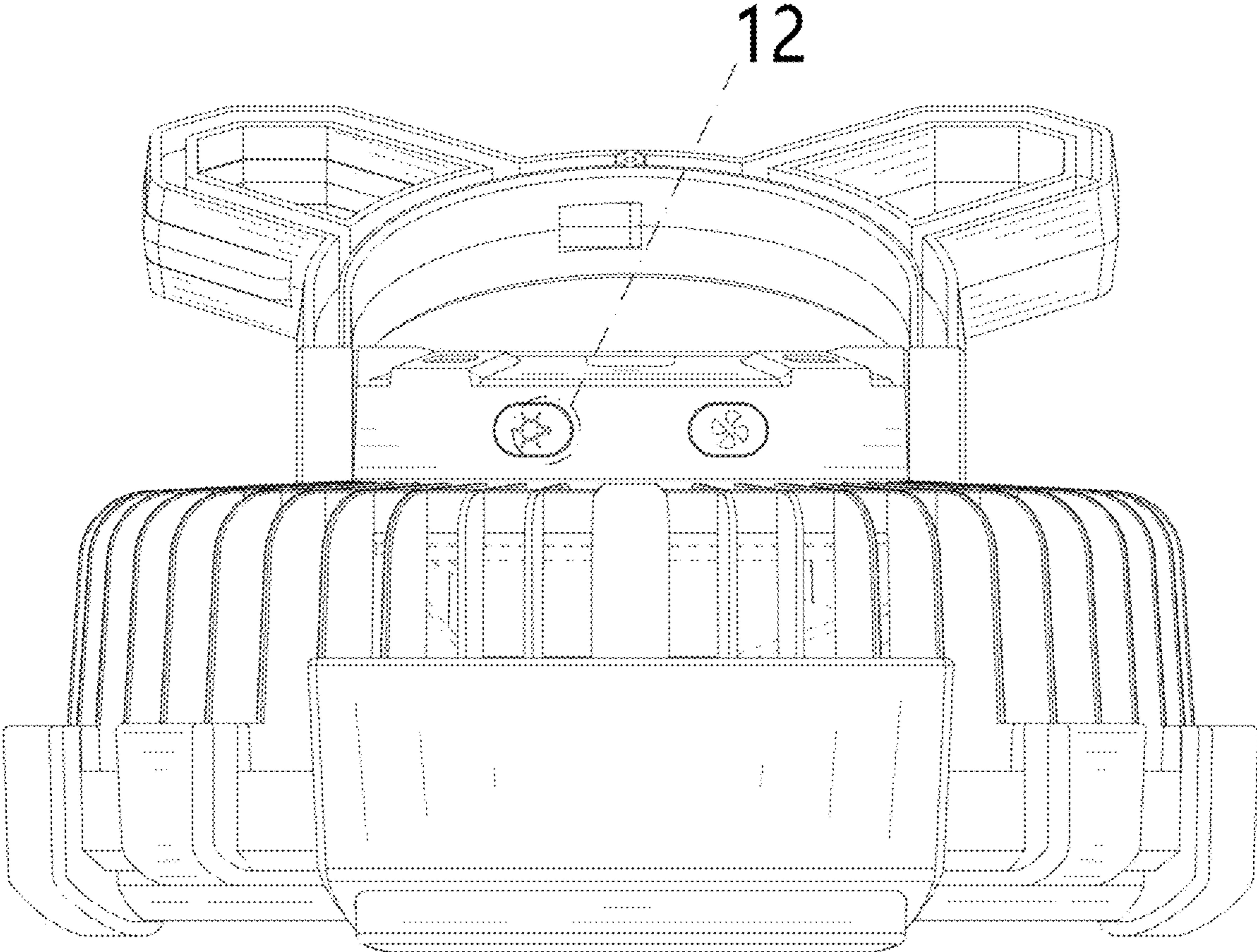


FIG. 7

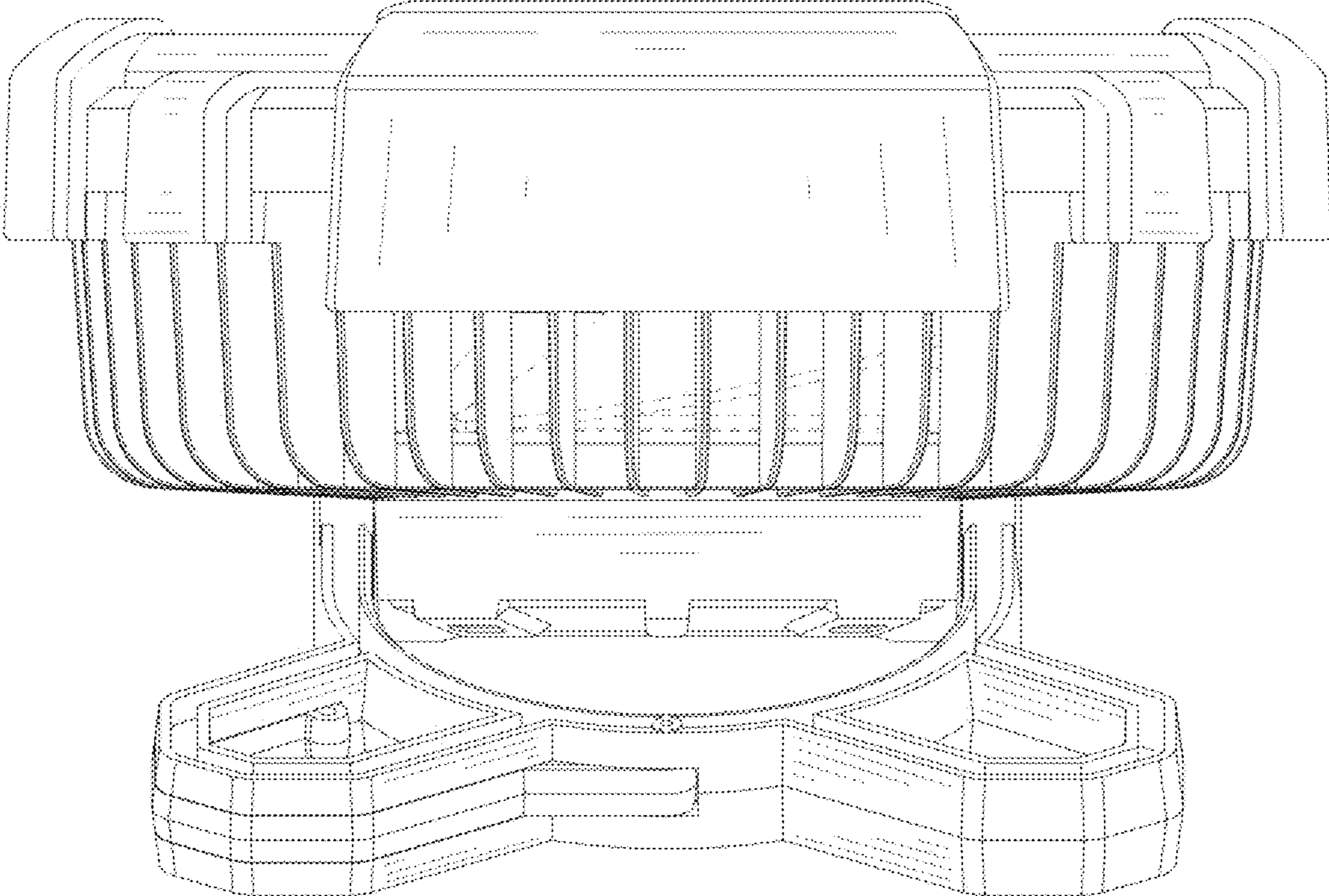


FIG. 8

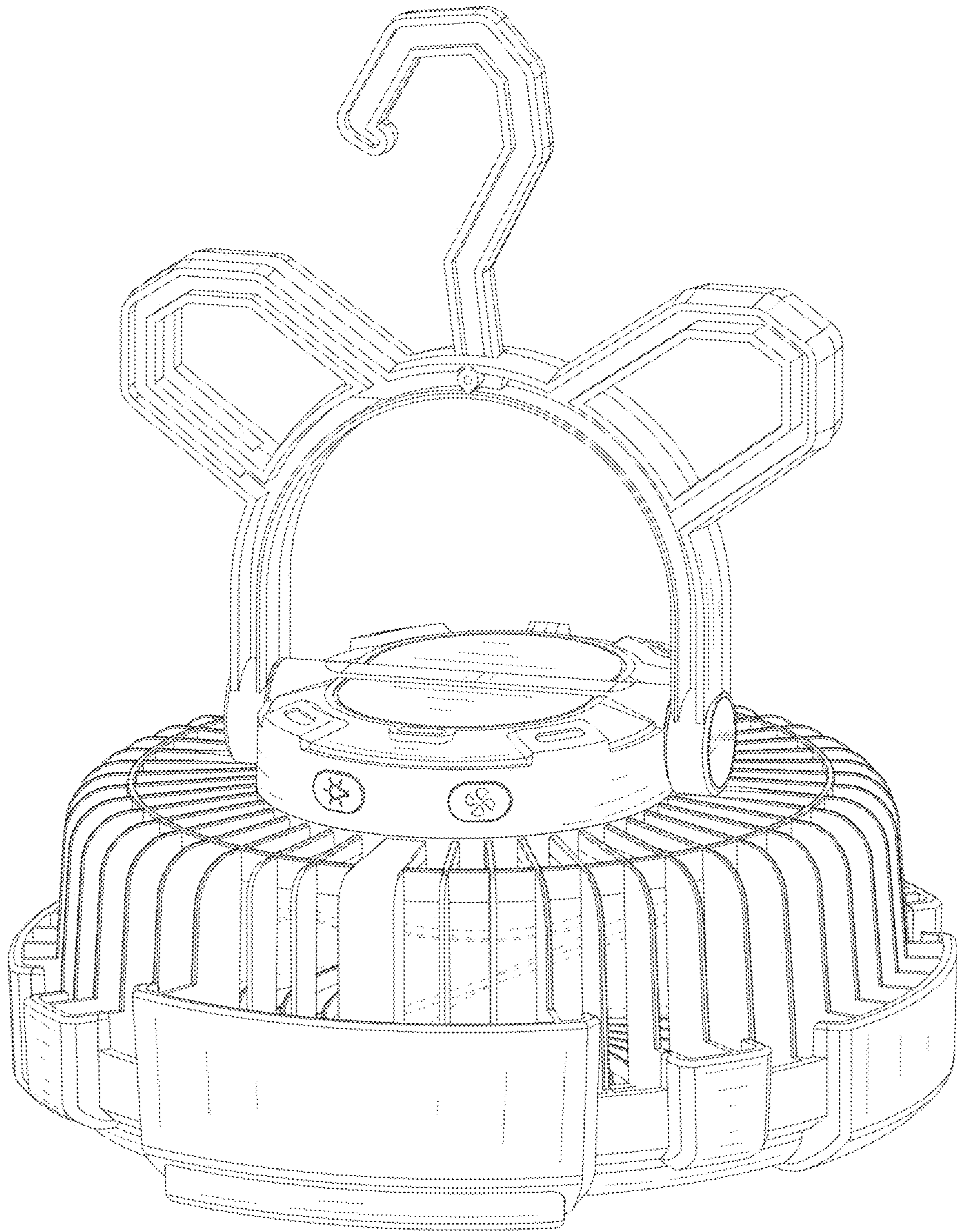


FIG. 9

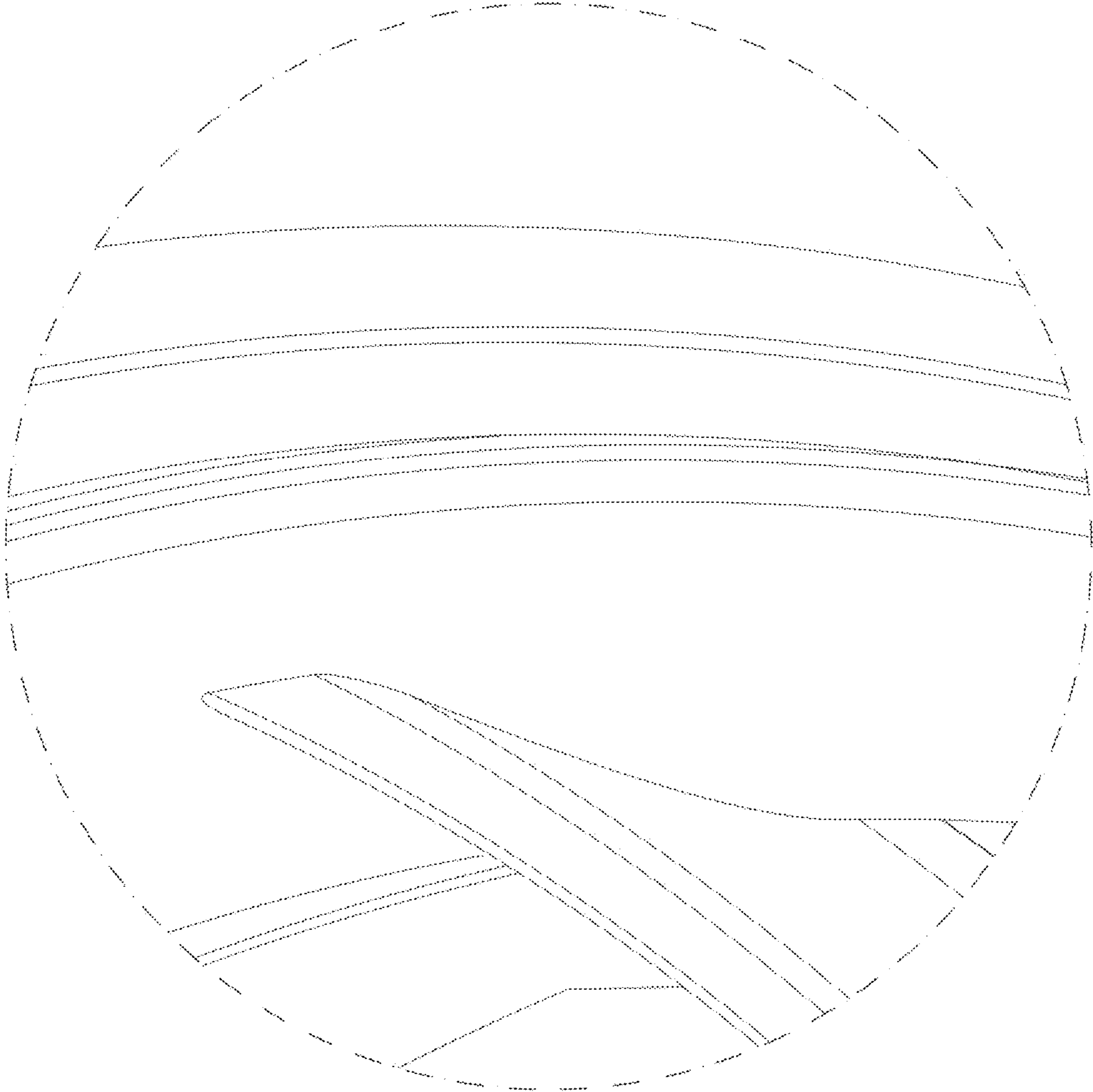


FIG. 10

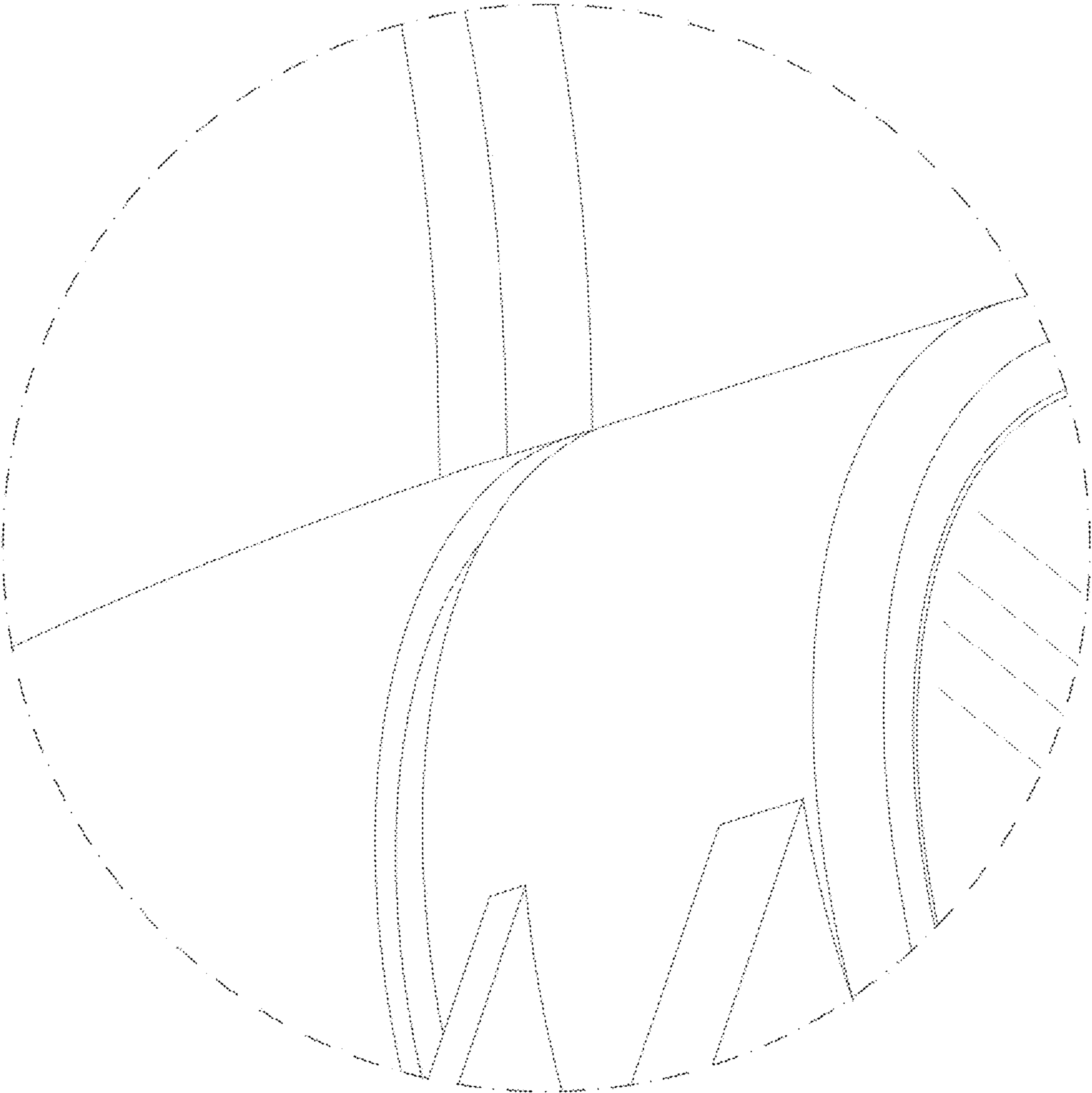


FIG. 11

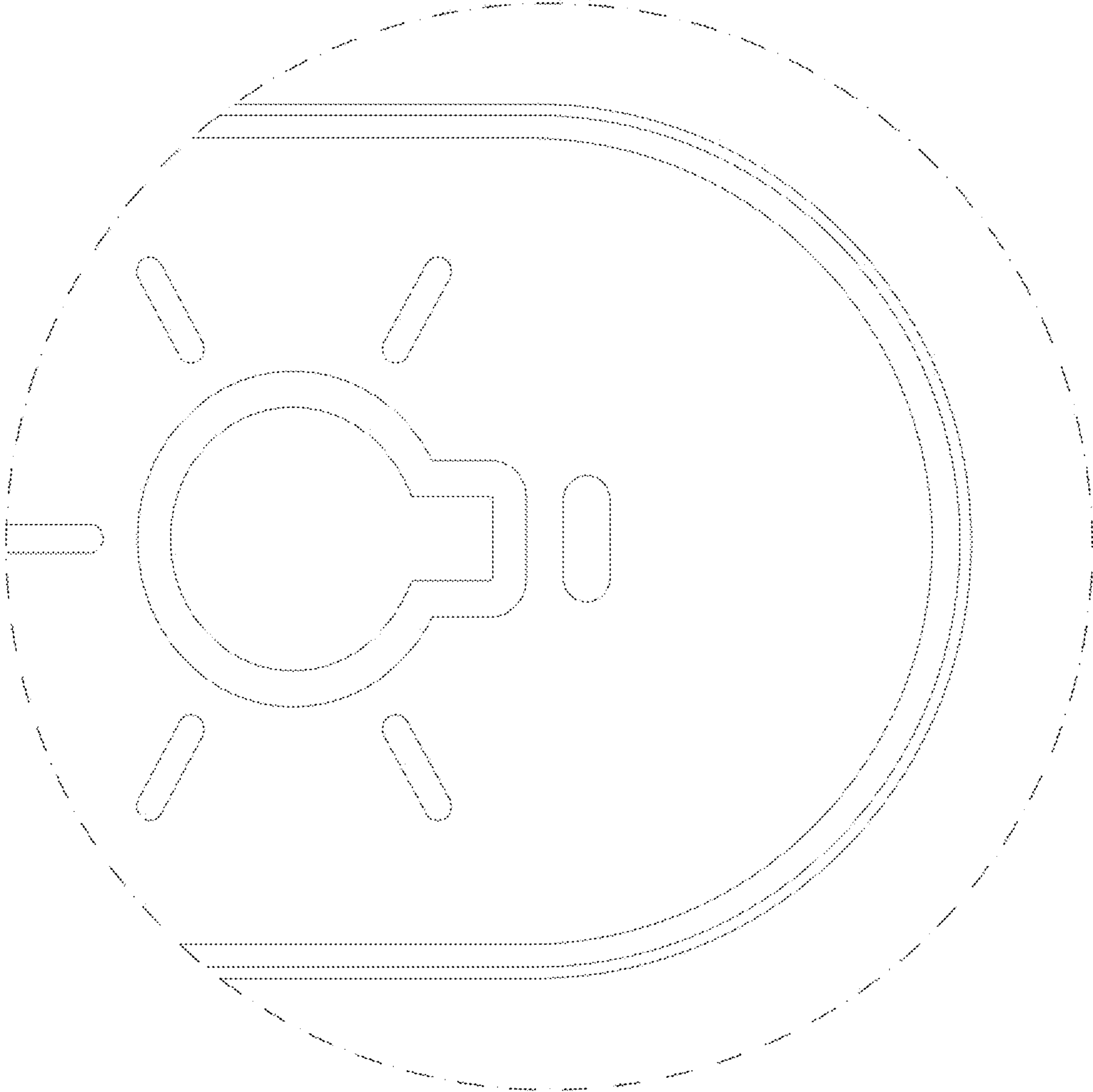


FIG. 12