



US0D1027086S

(12) **United States Design Patent** (10) **Patent No.:** **US D1,027,086 S**
Hairston, Jr. (45) **Date of Patent:** **** May 14, 2024**

(54) **MOBILE KICKING TRAINING DEVICE**

(71) Applicant: **Simple Kicking Solutions, LLC,**
Dallas, TX (US)

(72) Inventor: **James Christopher Hairston, Jr.,**
Dallas, TX (US)

(73) Assignee: **Simple Kicking Solutions, LLC,**
Dallas, TX (US)

(**) Term: **15 Years**

(21) Appl. No.: **29/792,891**

(22) Filed: **Apr. 29, 2022**

(51) **LOC (14) Cl.** **21-02**

(52) **U.S. Cl.**
USPC **D21/699; D21/716; D21/788; D21/790;**
D21/791

(58) **Field of Classification Search**
USPC **D21/699, 716, 788, 790, 791, 798**
(Continued)

(56) **References Cited**

U.S. PATENT DOCUMENTS

648,512 A * 5/1900 Manley A63B 63/008
473/477
2,074,125 A * 3/1937 Lefft A63B 71/023
473/477

(Continued)

OTHER PUBLICATIONS

Simple Kicking, Field Goal Posts at home, published on Aug. 10, 2022 [online]. Retrieved from internet (Date: Sep. 15, 2023), <https://www.youtube.com/watch?v=3mRbKRj3stc&t=20s> (Year: 2022).*

(Continued)

Primary Examiner — Katherine A Holbrow

Assistant Examiner — Riya Salil Kamat

(74) *Attorney, Agent, or Firm* — Vinson & Elkins L.L.P.

(57) **CLAIM**

The ornamental design for a mobile kicking training device, as shown and described.

DESCRIPTION

FIG. 1 is a perspective view of my mobile kicking training device design.

FIG. 2 is a front view of my mobile kicking training device design.

FIG. 3 is a rear view of my mobile kicking training device design.

FIG. 4 is a right side view of my mobile kicking training device design.

FIG. 5 is a left side view of my mobile kicking training device design.

FIG. 6 is a top plan view my mobile kicking training device design.

FIG. 7 is a bottom plan view of my mobile kicking training device design.

FIG. 8 is an underside perspective view of my mobile kicking training device design.

FIG. 9 is a perspective view of my mobile kicking training device design in an alternate configuration.

FIG. 10 is a front view of my mobile kicking training device design.

FIG. 11 is a rear view of my mobile kicking training device design.

FIG. 12 is a right side view of my mobile kicking training device design.

FIG. 13 is a left side view of my mobile kicking training device design.

FIG. 14 is a top plan view of my mobile kicking training device design.

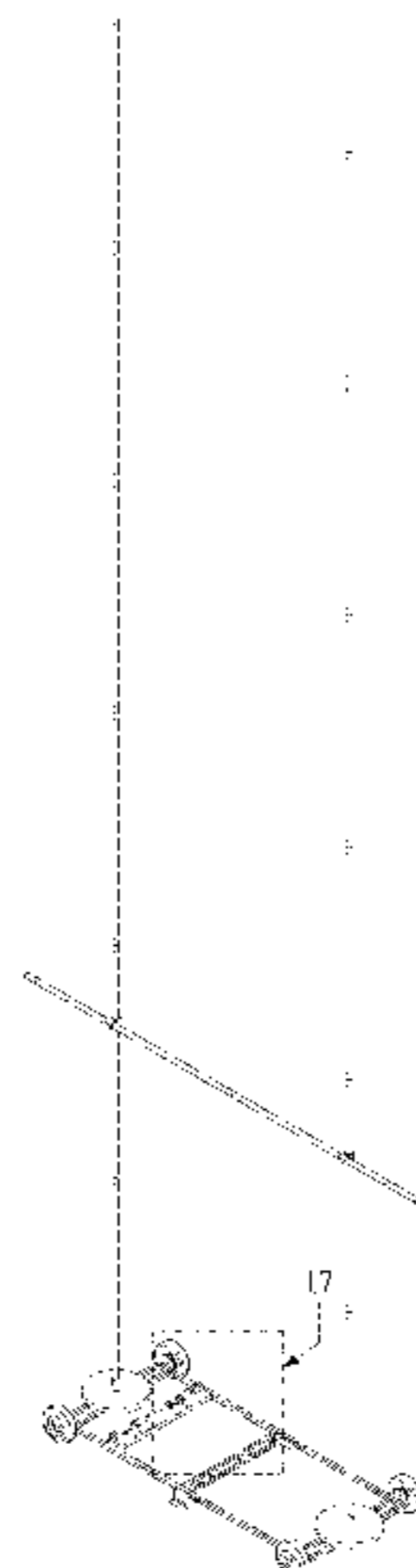
FIG. 15 is a bottom plan view of my mobile kicking training device design.

FIG. 16 is an underside perspective view of my mobile kicking training device design.

FIG. 17 is a close-up detailed view of area 17 of my mobile kicking training device design as shown in FIG. 1; and,

FIG. 18 is a close-up detailed view of area 18 of my mobile kicking training device design as shown in FIG. 6.

(Continued)



The broken lines in the figures are for the purpose of illustrating portions of the mobile kicking training device that form no part of the claimed design.

1 Claim, 15 Drawing Sheets

(58) Field of Classification Search

CPC A63B 63/008; A63B 69/002; A63B 2243/007; A63B 2243/0066; A63B 71/023; A63B 2210/52; A63B 2214/00; A63B 2225/68; A63B 63/004; A63B 63/00; A63B 71/02

See application file for complete search history.

(56) References Cited

U.S. PATENT DOCUMENTS

2,845,269	A	7/1958	Simmons	
D212,372	S *	10/1968	Trimble	D21/699
3,439,916	A *	4/1969	Kopp	A63B 69/0075 473/419
3,856,302	A	12/1974	Karkoska	
3,908,992	A *	9/1975	Cunningham	A63B 63/008 473/477
3,981,501	A *	9/1976	Gonzalez	A63B 63/008 473/477
D308,555	S *	6/1990	Hermen	D21/699
5,435,572	A *	7/1995	Covel	A63B 69/002 473/423
5,513,843	A *	5/1996	Russell	A63B 63/008 473/419
6,375,585	B1	4/2002	Driscoll	

6,394,917	B1 *	5/2002	Chiappini	A63B 63/008 473/439
D500,105	S *	12/2004	Szaroletta	D21/699
7,014,578	B1 *	3/2006	Brodeur	A63B 63/008 473/439
8,753,234	B1 *	6/2014	Hair	A63B 63/008 473/477
11,123,623	B1 *	9/2021	Melachrino	A63B 63/00
2003/0144091	A1	7/2003	Dickson	
2010/0298074	A1 *	11/2010	Esposito	A63B 69/00 473/438
2012/0052991	A1 *	3/2012	Hulbert	A63B 63/008 473/477
2012/0142457	A1 *	6/2012	Wiley	A63B 63/008 473/477
2017/0173425	A1 *	6/2017	Mackie	A63B 63/008
2023/0211220	A1 *	7/2023	Alvarez	A63B 63/008 473/477

OTHER PUBLICATIONS

Simple Kicking, Go-Posts helps aim small, published on Jul. 29, 2022 [online]. Retrieved from internet (Date: Sep. 15, 2023), <https://www.youtube.com/watch?v=ZSJyRSK8q2A&t=11s> (Year: 2022).*

Franklin Sports, Steel Football Goal Post, published on Mar. 12, 2018 [online]. Retrieved from internet (Date: Sep. 15, 2023), <https://www.amazon.com/Franklin-Sports-Authentic-Steel-Football/dp/B078KWKP8/?th=1> (Year: 2018).*

Pro Sports Equip, Rogers Athletic Portable "H" Football Goal post, published on Nov. 2, 2021 [online]. Retrieved from internet (Date: Sep. 15, 2023), <https://prosportsequip.com/products/rogers-athletic-football-portable-goal-post-each-410673> (Year: 2021).*

* cited by examiner

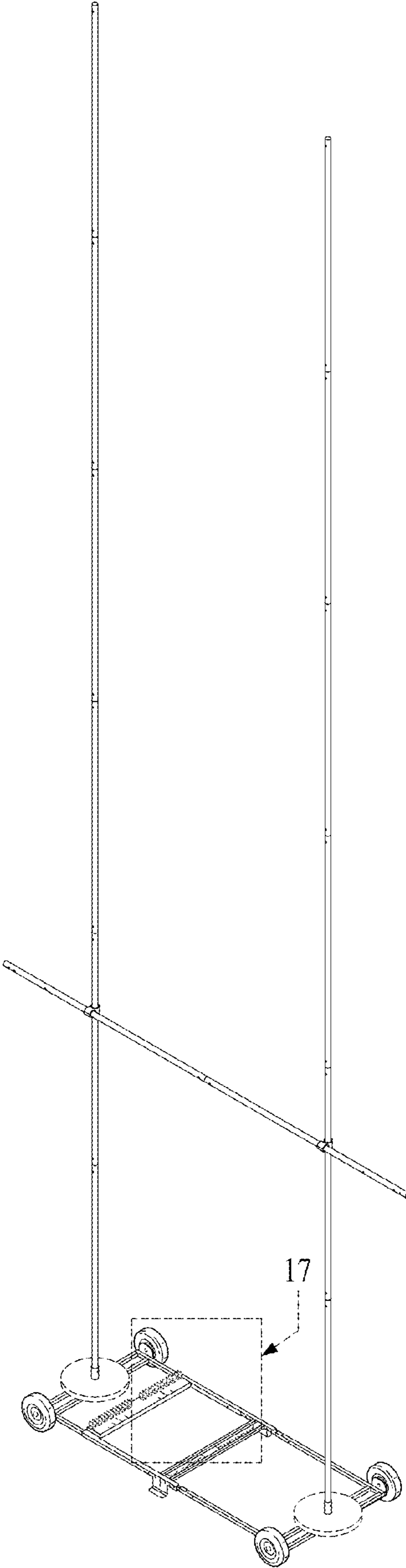


FIG. 1

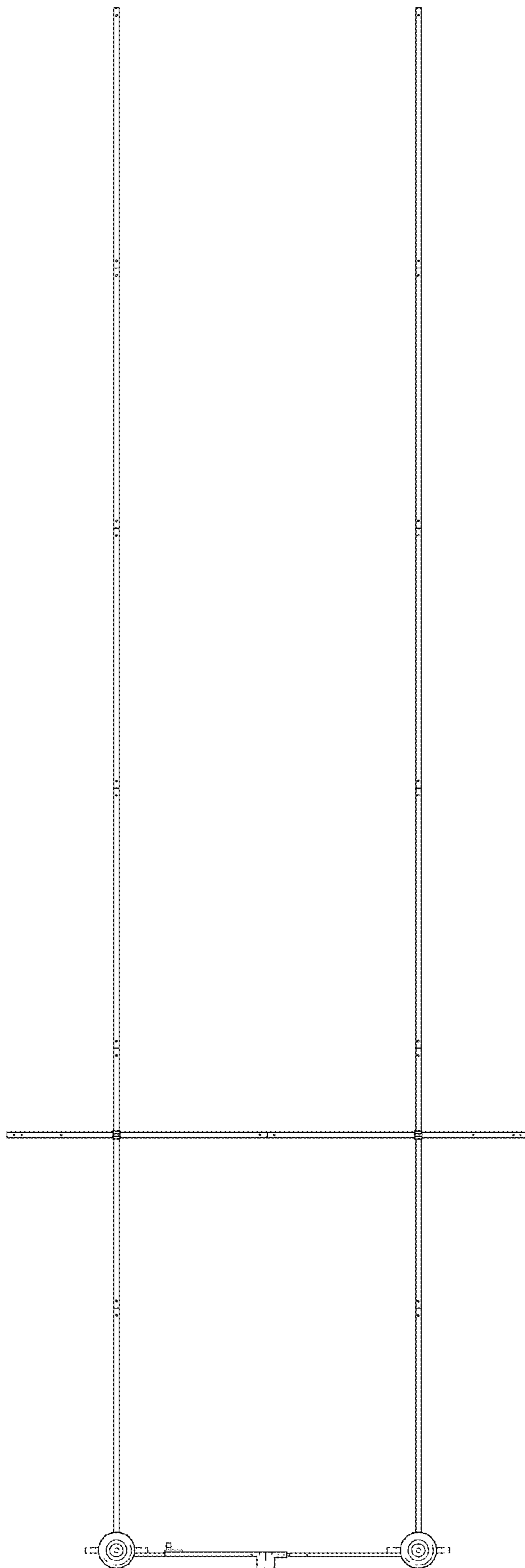


FIG. 2

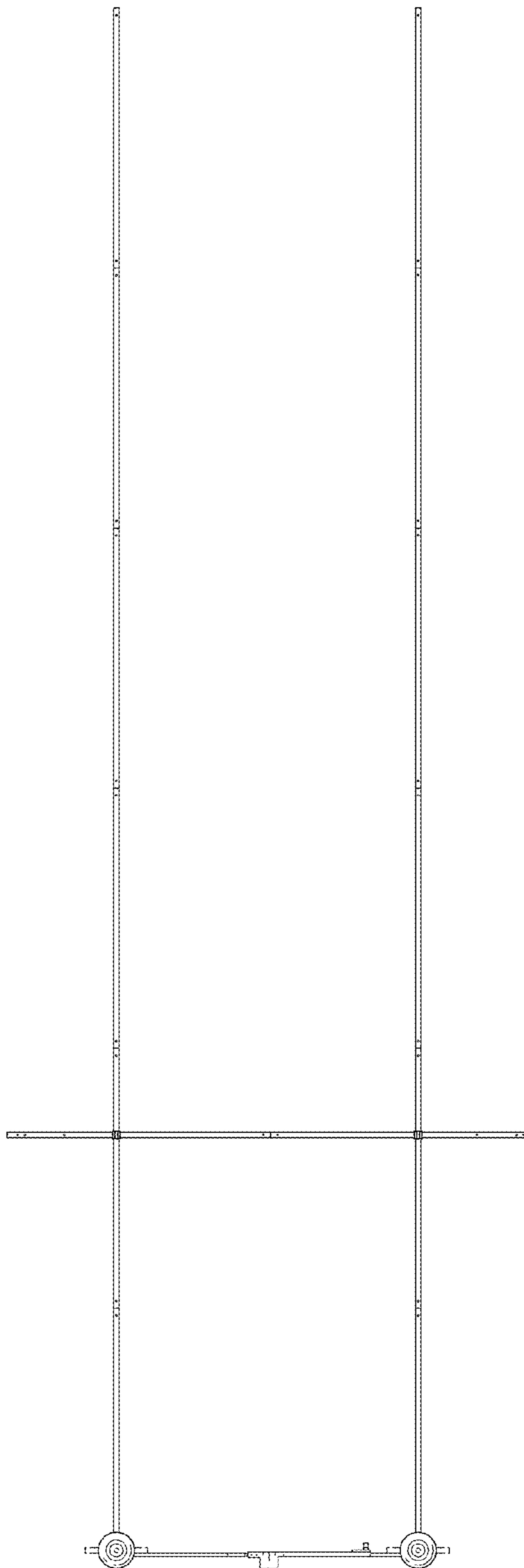
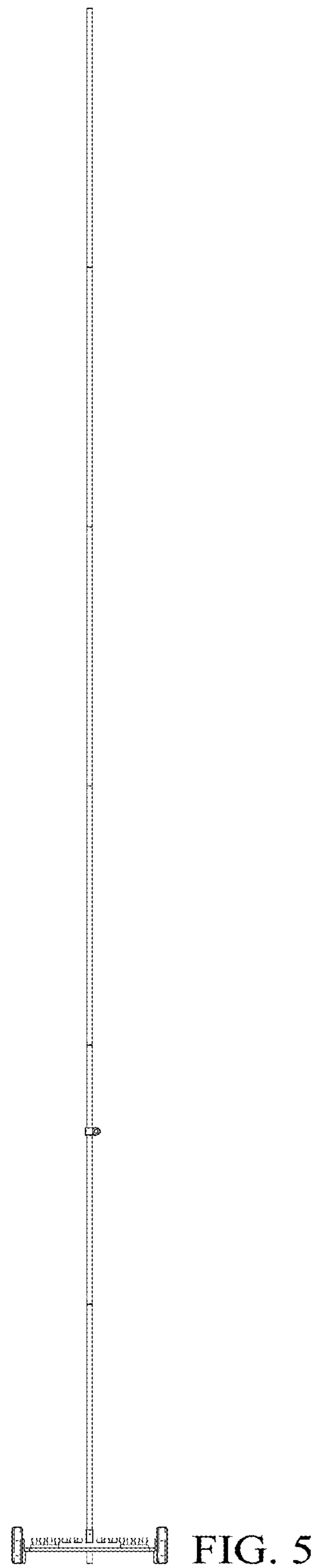
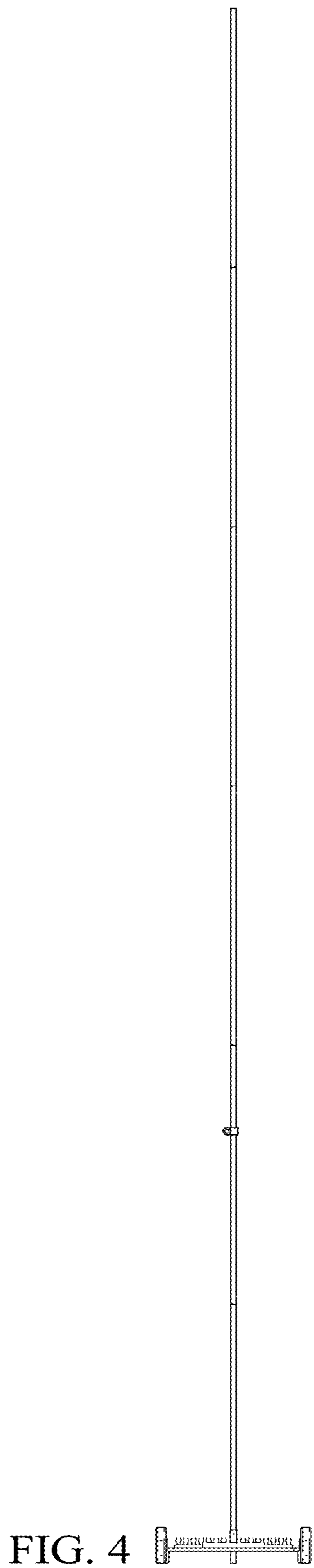


FIG. 3



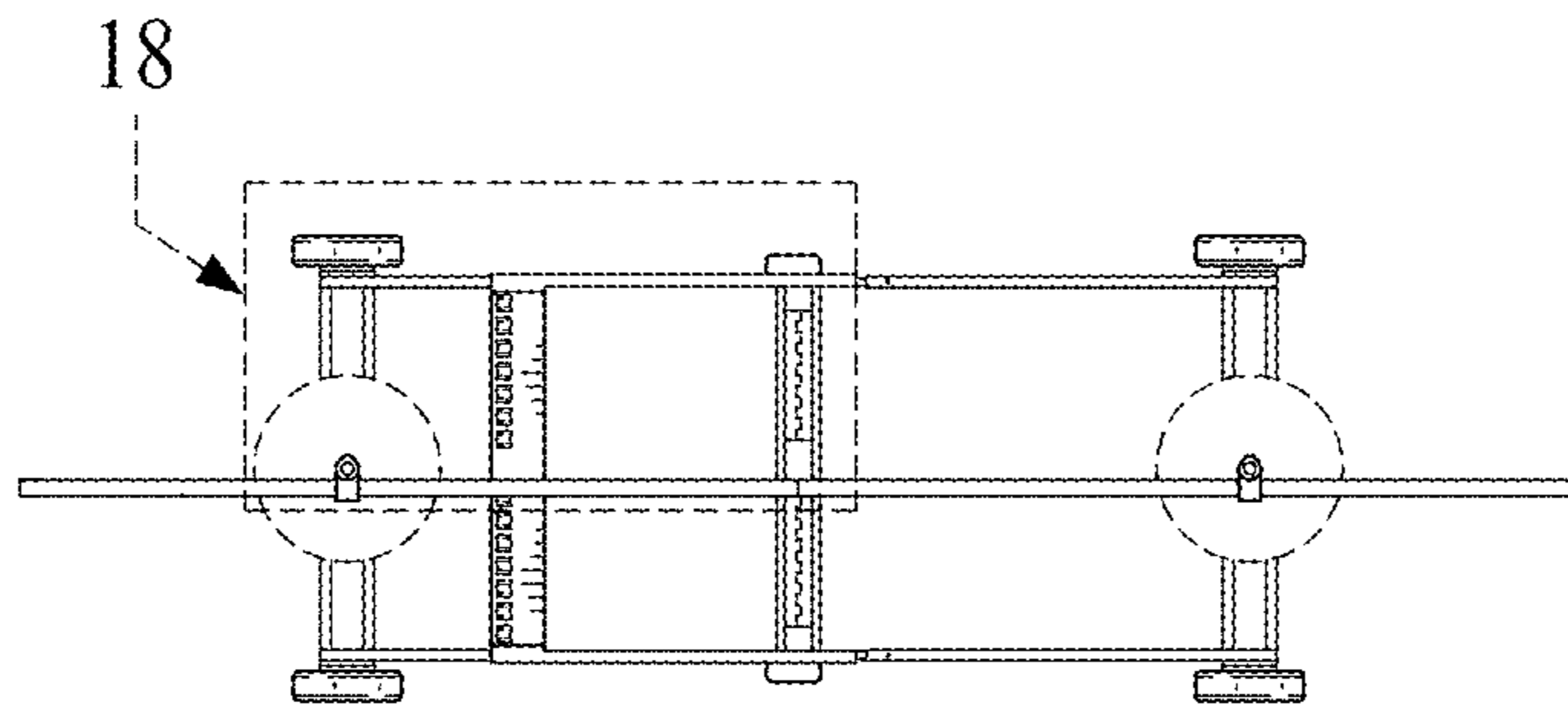


FIG. 6

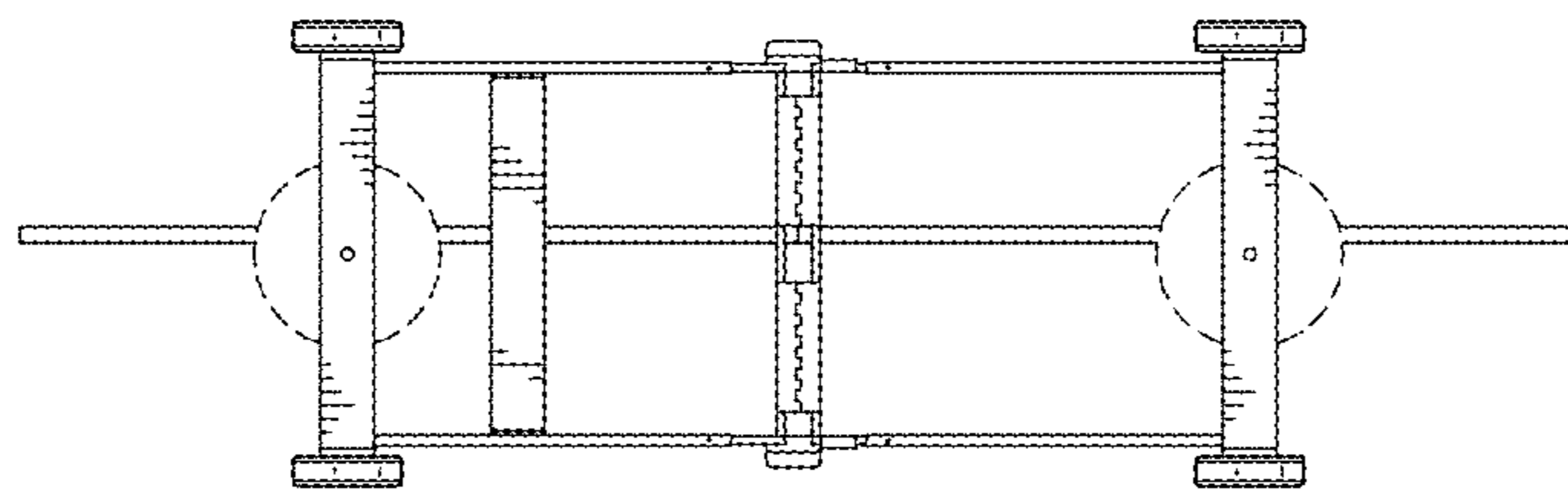


FIG. 7

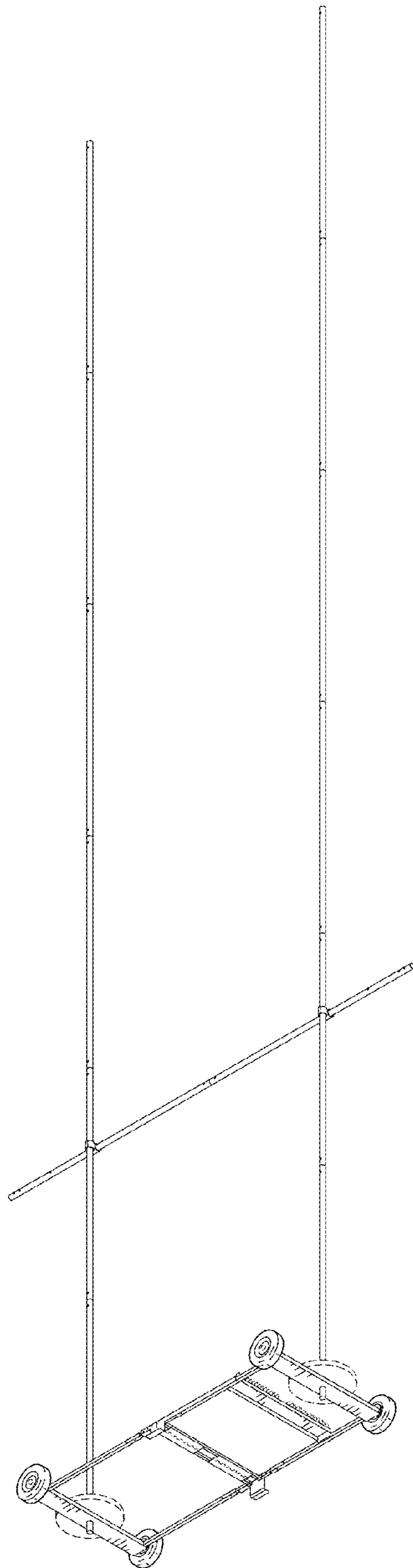


FIG. 8

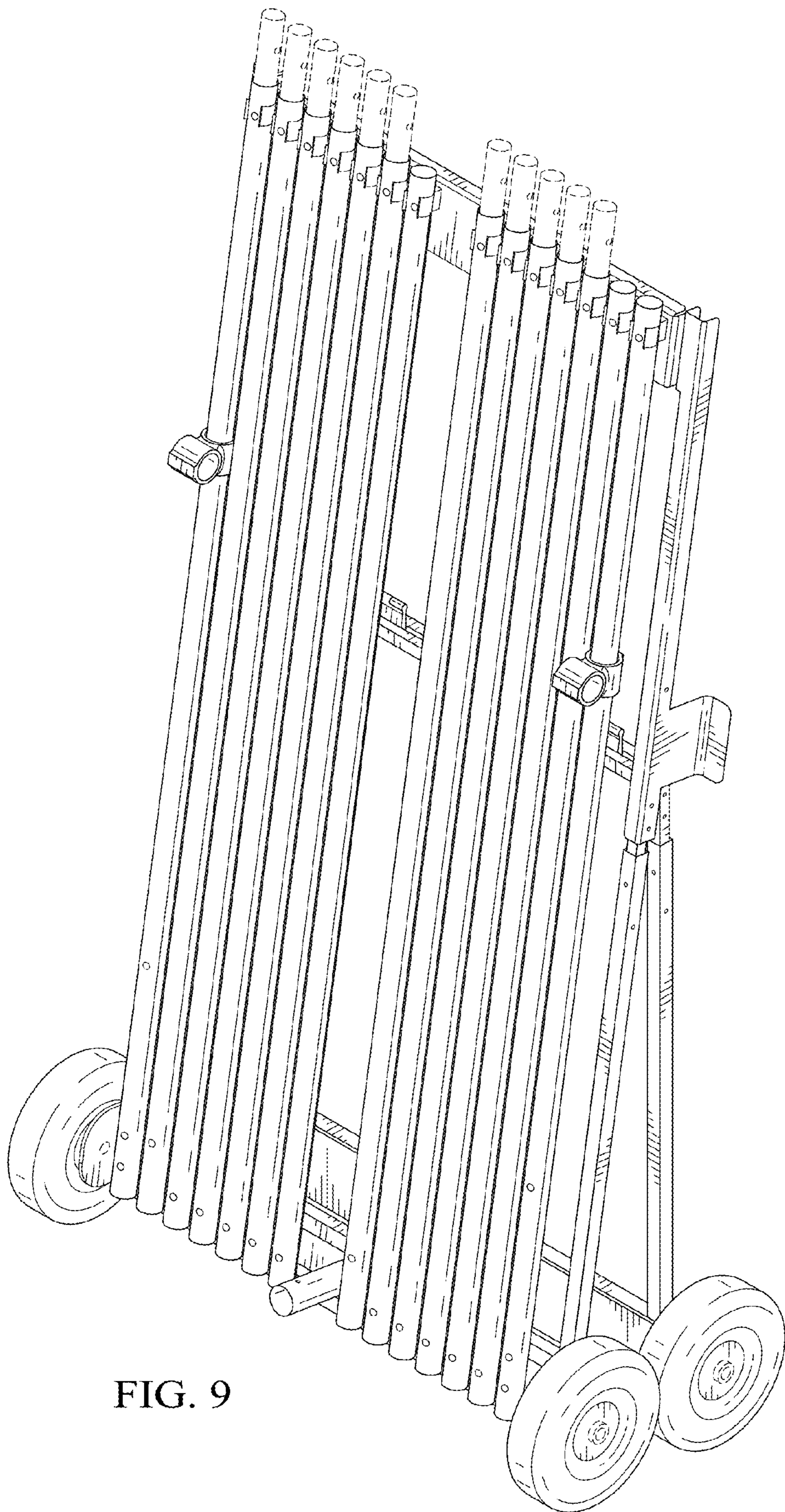


FIG. 9

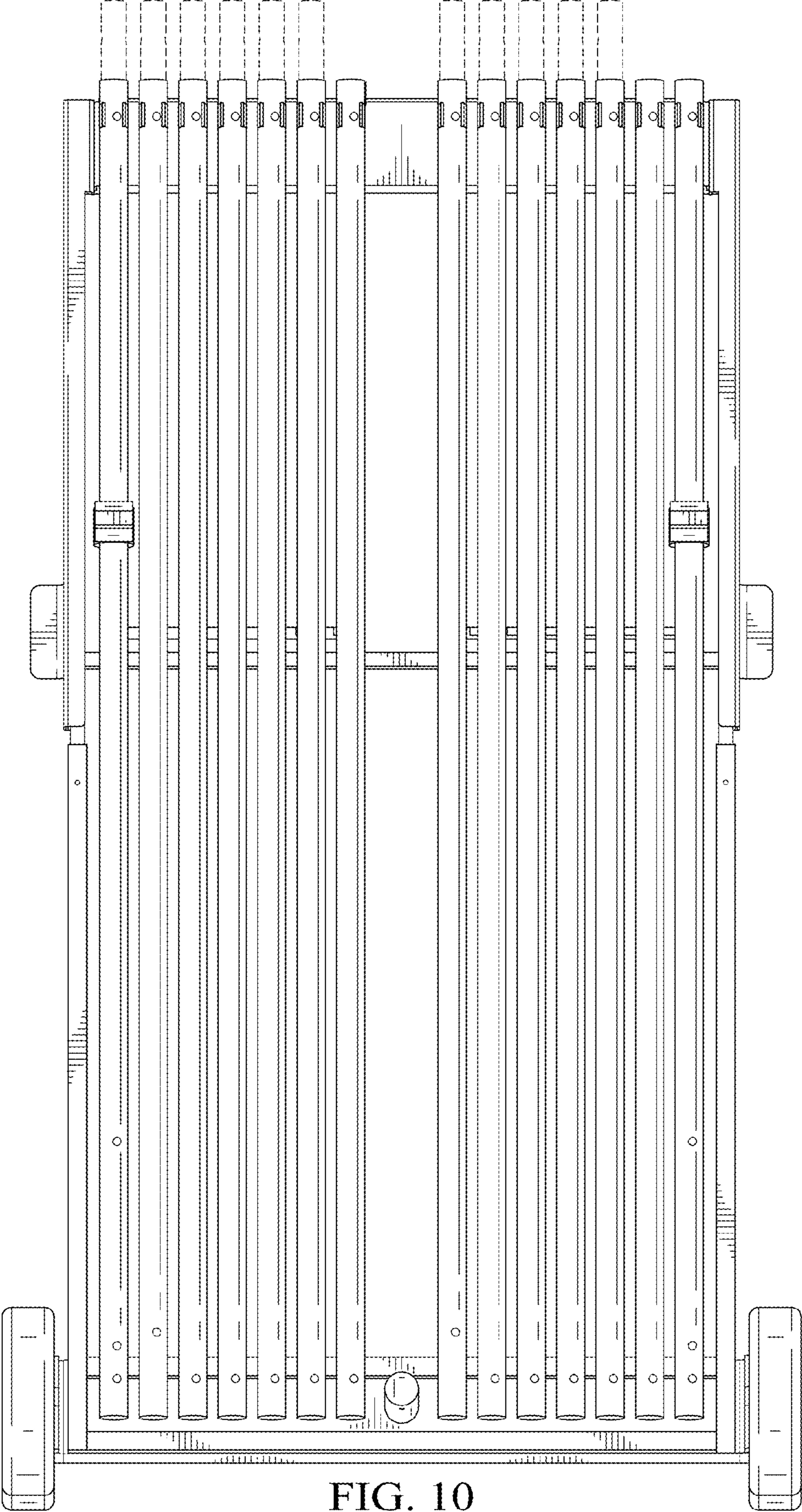


FIG. 10

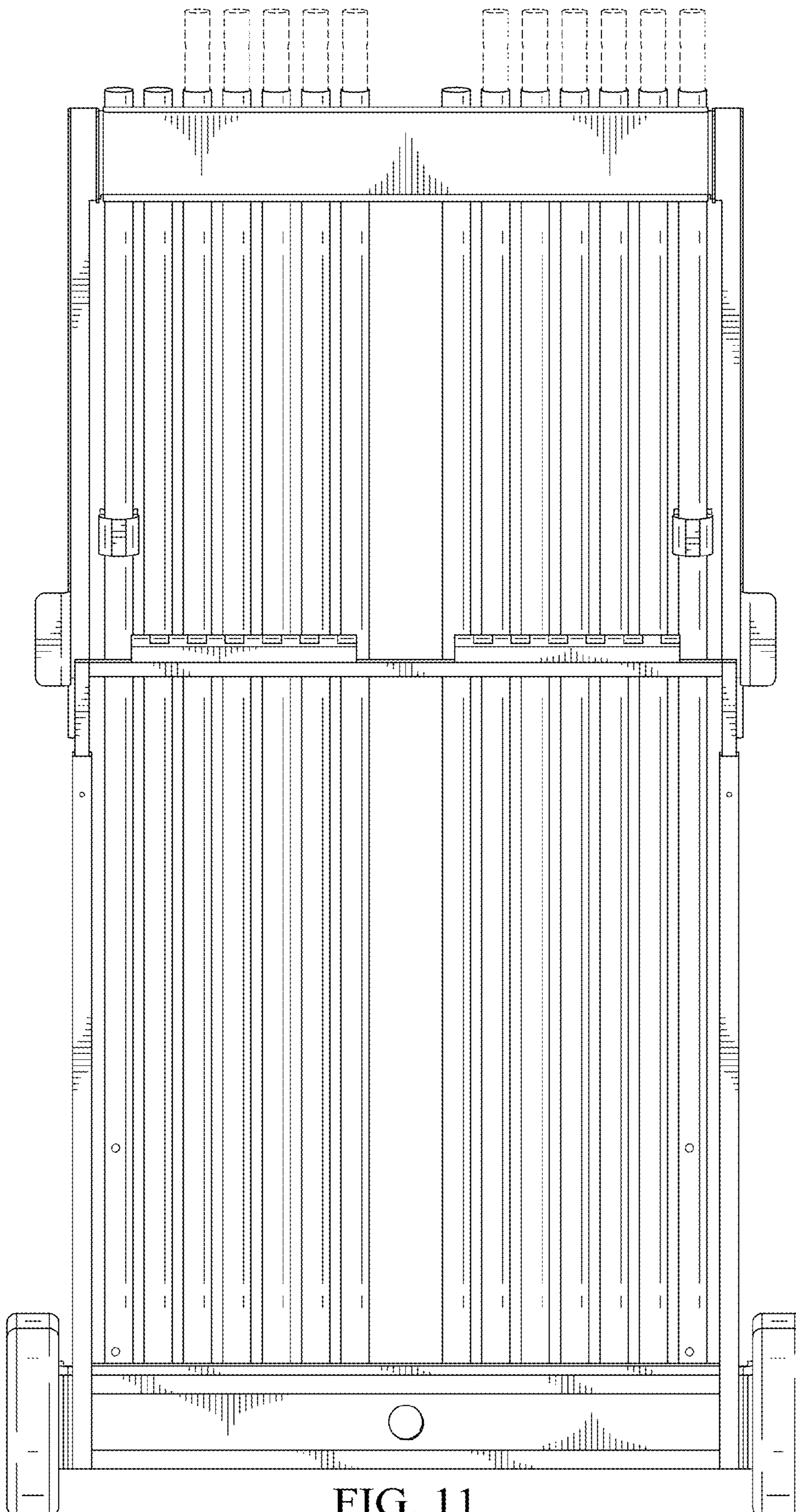


FIG. 11

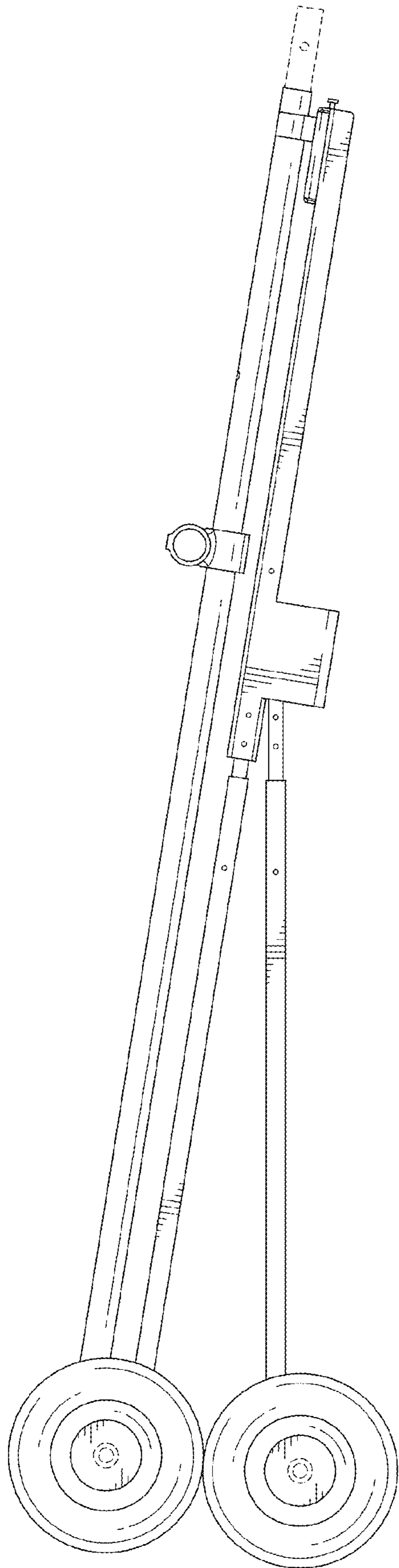


FIG. 12

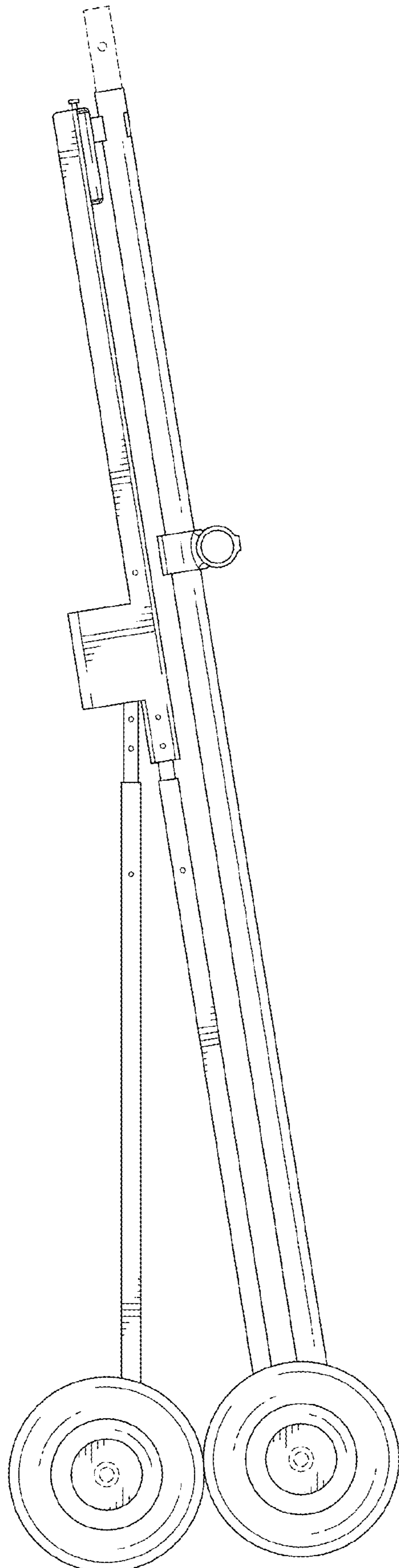


FIG. 13

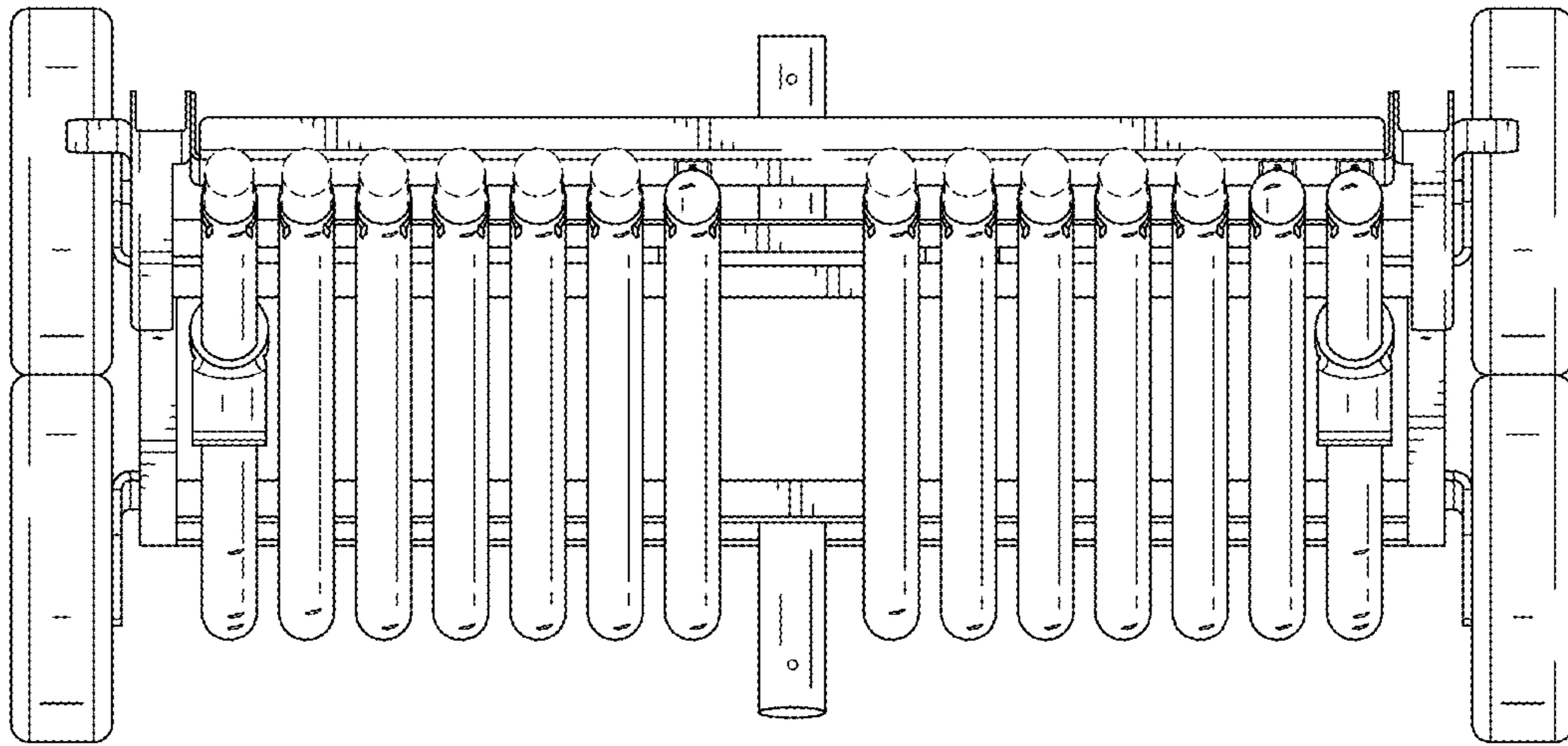


FIG. 14

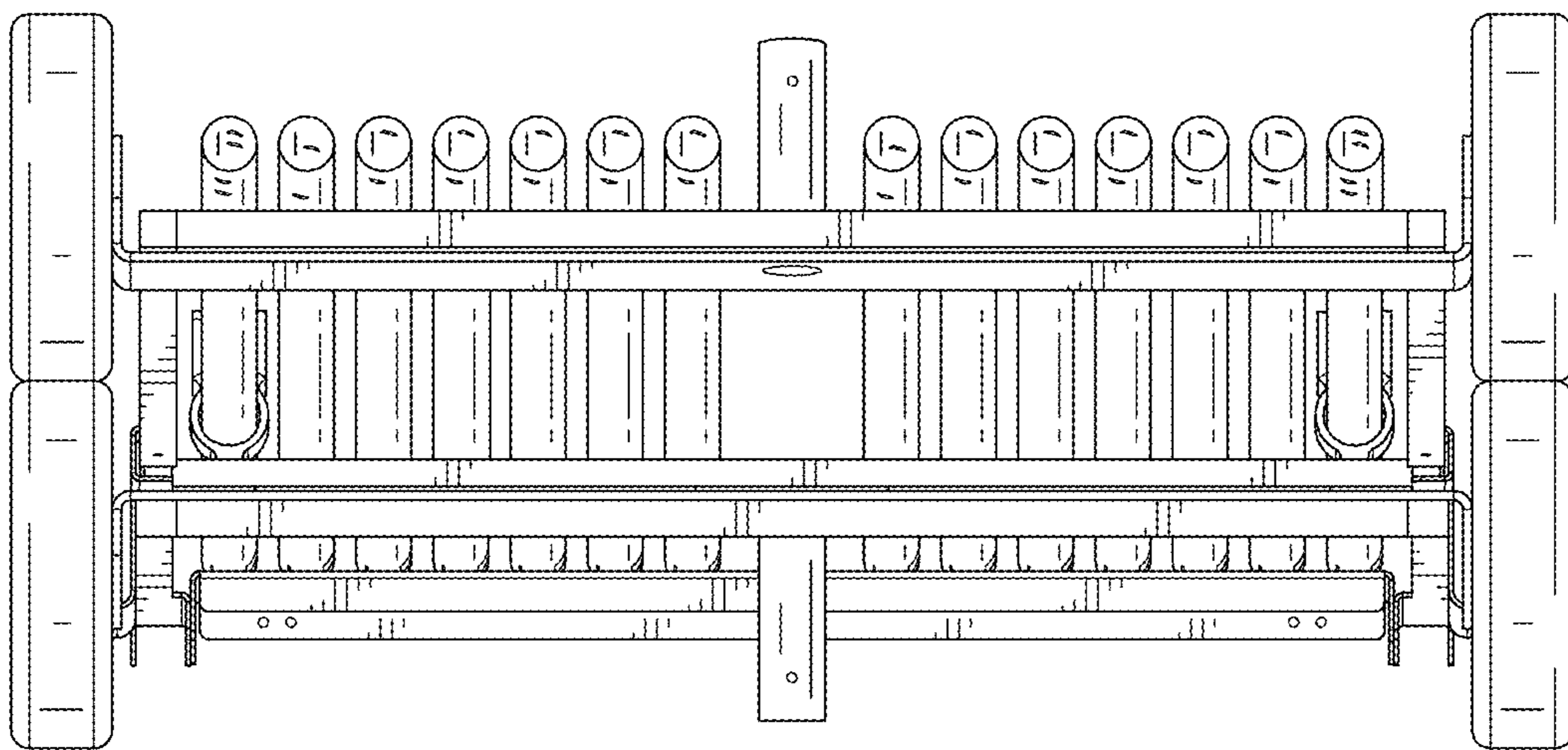


FIG. 15

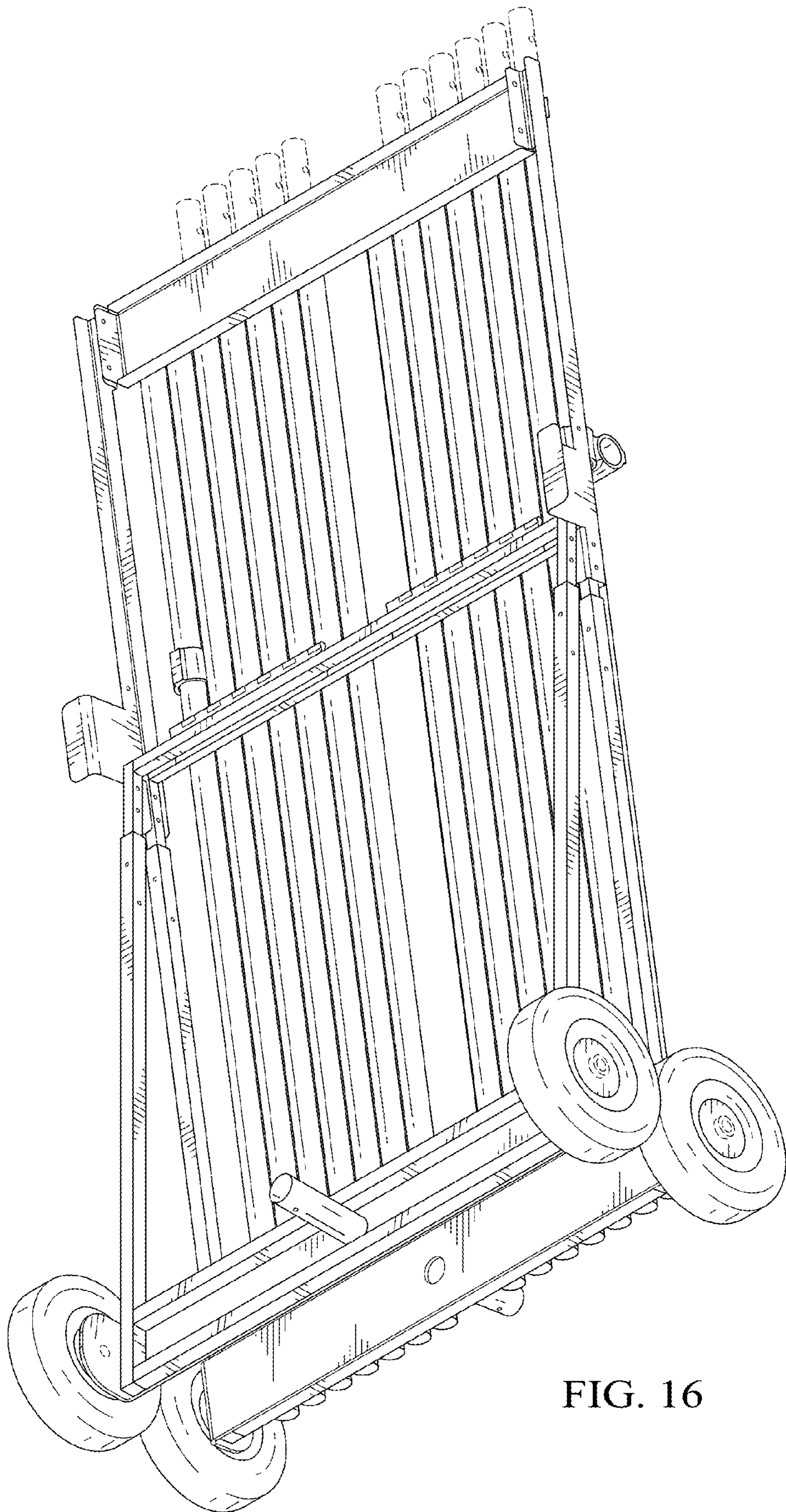


FIG. 16

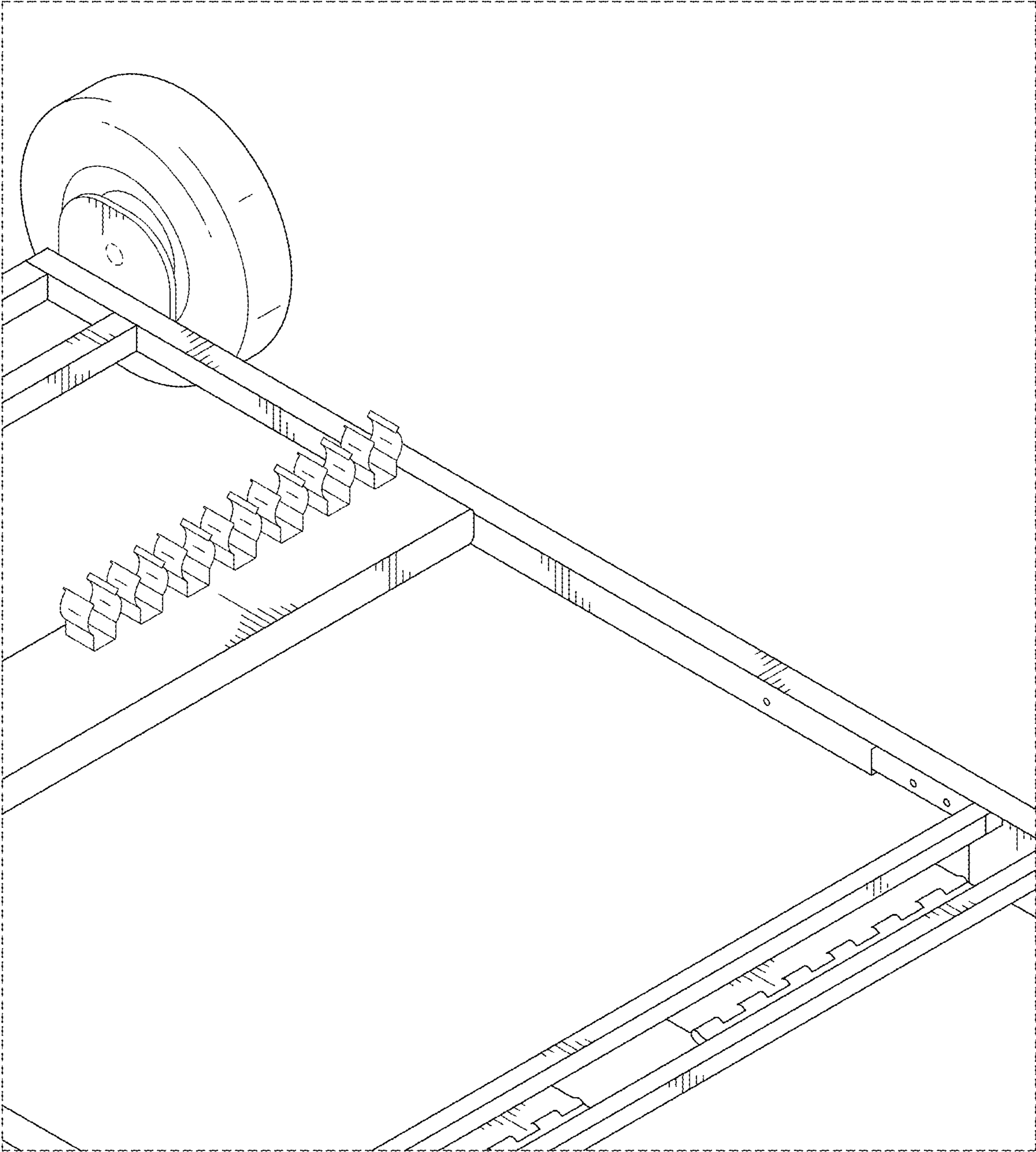


FIG. 17

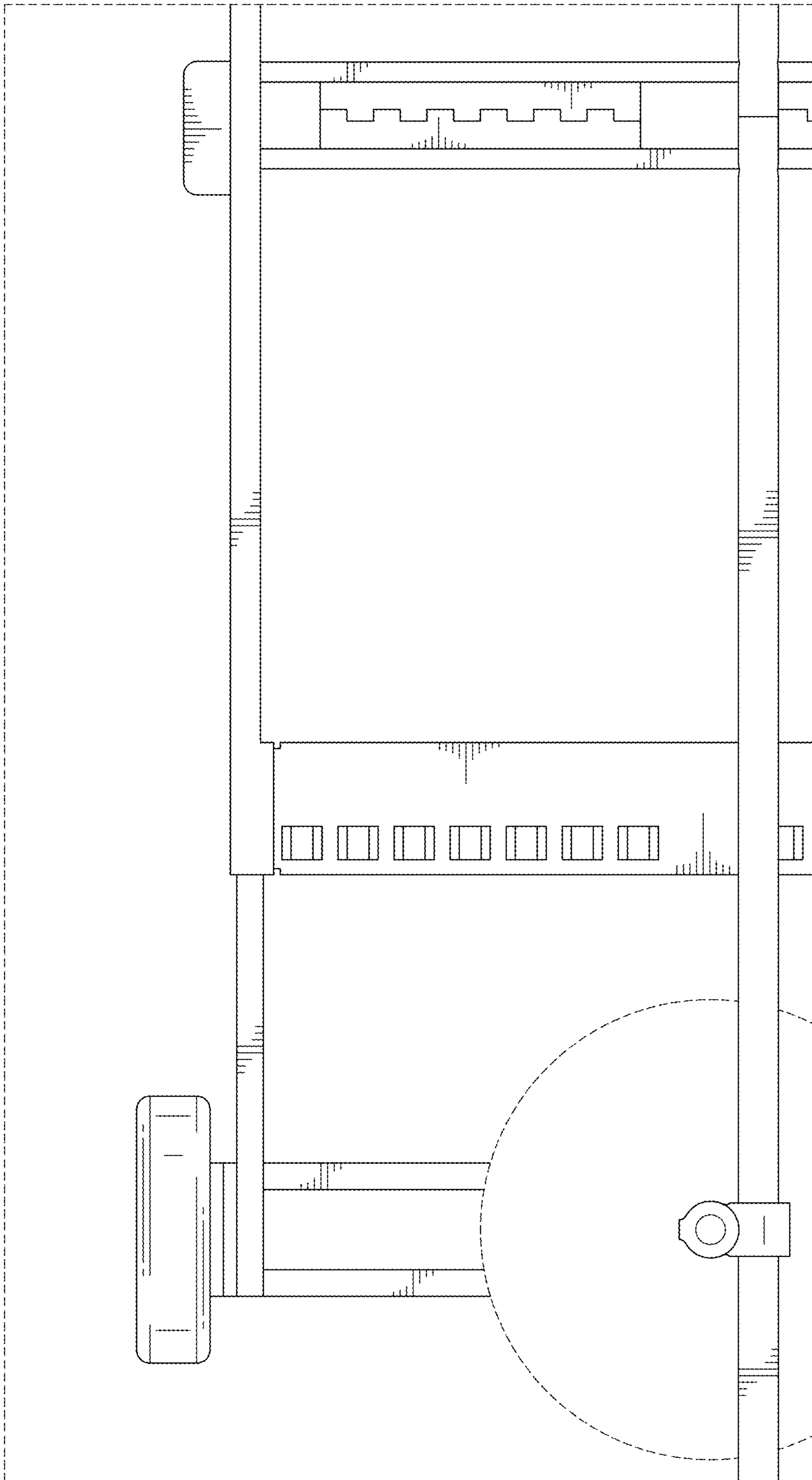


FIG. 18