



US0D1027075S

(12) **United States Design Patent** (10) **Patent No.:** **US D1,027,075 S**  
**Henniger et al.** (45) **Date of Patent:** **\*\* May 14, 2024**

(54) **WEIGHT PLATE**

FOREIGN PATENT DOCUMENTS

(71) Applicant: **Coulter Ventures, LLC.**, Columbus, OH (US)

AU 202013319 7/2020  
AU 2019214909 A1 8/2020

(Continued)

(72) Inventors: **William Henniger**, Columbus, OH (US); **Ahmik Jones**, Upper Arlington, OH (US); **Nicolas Garcia**, Centerburg, OH (US); **Anahita Ameri**, Columbus, OH (US)

OTHER PUBLICATIONS

Rep fitness store, announced 2019[online], [site visited Feb. 3, 2023]. Available on internet, URL:https://www.amazon.com/Urethane-Coated-Plate-v3-2-5lb-Pair/dp/B07VLJ8YTR/ref (Year: 2019).\*

(Continued)

(73) Assignee: **Coulter Ventures, LLC.**, Columbus, OH (US)

*Primary Examiner* — Khawaja Anwar

*Assistant Examiner* — Julice Seung Eun Oum

(\*\*) Term: **15 Years**

(74) *Attorney, Agent, or Firm* — Banner & Witcoff, Ltd.

(21) Appl. No.: **29/845,385**

(57) **CLAIM**

(22) Filed: **Jul. 7, 2022**

The ornamental design for a weight plate, as shown and described.

**Related U.S. Application Data**

**DESCRIPTION**

(63) Continuation of application No. 29/818,029, filed on Dec. 6, 2021, now Pat. No. Des. 961,020, which is a (Continued)

FIG. 1 is a top, front, perspective view of a weight plate showing our new design;

(51) **LOC (14) Cl.** ..... **21-02**

FIG. 2 is a bottom, front, perspective view thereof;

(52) **U.S. Cl.**

FIG. 3 is a front view thereof;

USPC ..... **D21/680**

FIG. 4 is a rear view thereof;

(58) **Field of Classification Search**

FIG. 5 is a right side view thereof;

USPC ..... D21/662, 680, 681, 684, 675, 677, 694, D21/682, 679; D9/63, 780, 452, 450, (Continued)

FIG. 6 is a left side view thereof;

FIG. 7 is a top view thereof; and,

FIG. 8 is a bottom view thereof.

(56) **References Cited**

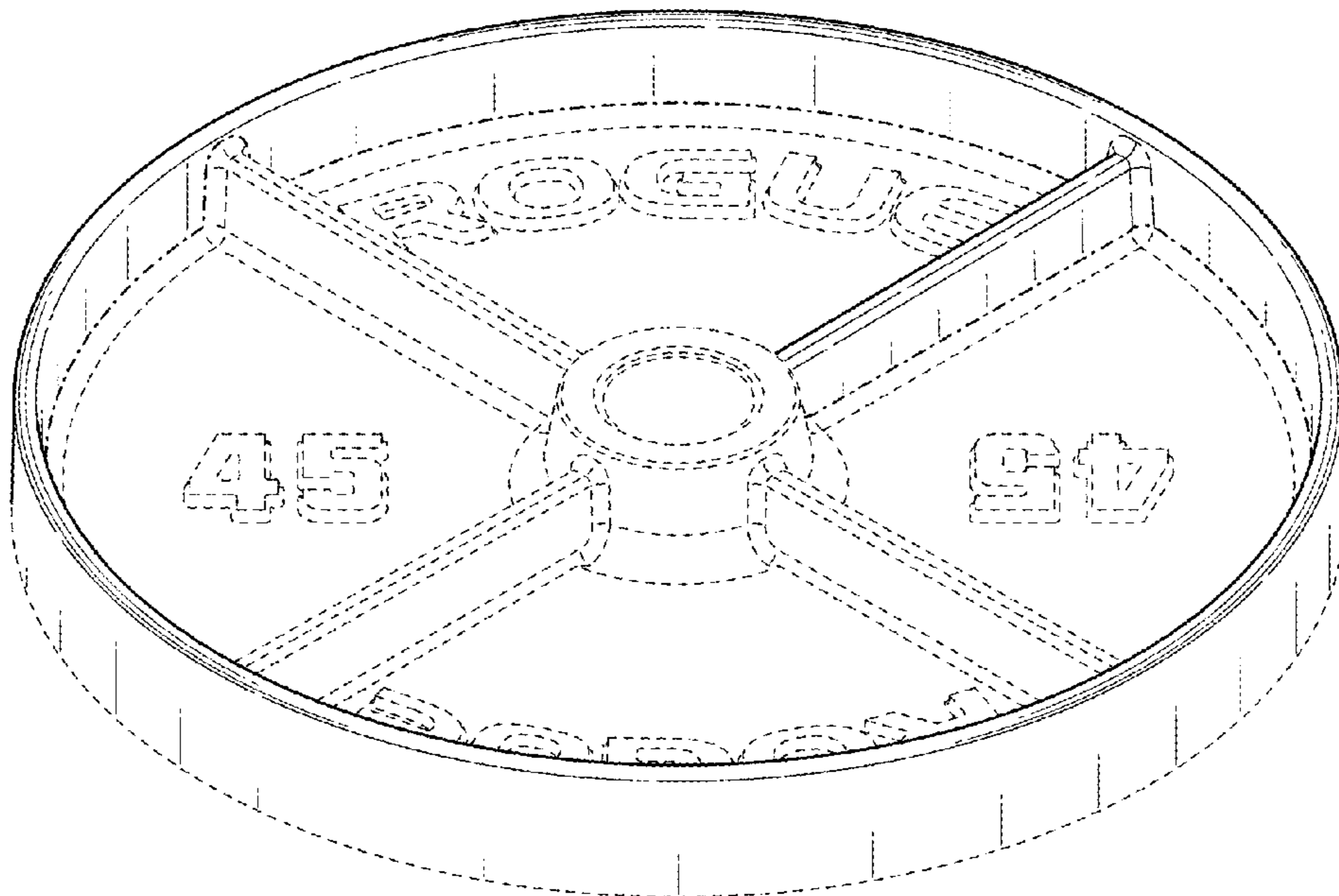
The uneven-length broken lines represent boundaries of the claimed design and form no part thereof. The even-length broken lines depicting the remainder of the weight plate show features that form no part of the claimed design. The even-length broken lines showing lettering form no part of the claimed design.

**U.S. PATENT DOCUMENTS**

1,033,056 A 7/1912 Richert  
3,606,410 A 9/1971 Inserra

(Continued)

**1 Claim, 5 Drawing Sheets**



**Related U.S. Application Data**

continuation of application No. 29/744,226, filed on Jul. 28, 2020, now Pat. No. Des. 937,944.

(58) **Field of Classification Search**

USPC ..... D9/454, 435; D10/128, 129, 130; D8/14, 39, 40, 66  
 CPC ..... A63C 17/02; A63C 17/26; A63B 21/0004; A63B 2022/185; A63B 69/18; A63B 23/12; A63B 21/06; A63B 21/0601; A63B 21/075; A63B 23/1236; A63B 21/00094; A63B 21/00; A63B 21/072; G04B 11/08; B29C 45/1657

See application file for complete search history.

(56) **References Cited**

U.S. PATENT DOCUMENTS

3,695,032 A \* 10/1972 Lawson ..... G04D 7/1292 968/782  
 3,790,922 A 2/1974 Normann  
 4,482,151 A 11/1984 Zwilling  
 D279,495 S 7/1985 Barbeau  
 D280,433 S 9/1985 Lincir  
 D287,387 S 12/1986 Oliver et al.  
 4,639,979 A 2/1987 Polson  
 D292,676 S \* 11/1987 Mileto ..... D9/454  
 4,738,446 A 4/1988 Miles  
 4,773,641 A 9/1988 Metz  
 D298,719 S \* 11/1988 Beckerer, Jr. .... D7/624.2  
 4,817,944 A 4/1989 Anderson et al.  
 4,893,810 A 1/1990 Lee  
 D312,855 S \* 12/1990 Silvey ..... D21/662  
 D314,422 S 2/1991 Adorjan  
 5,033,740 A 7/1991 Schwartz et al.  
 5,108,066 A 4/1992 Lundstrom  
 5,137,502 A 8/1992 Anastasi  
 5,163,887 A 11/1992 Hatch  
 D346,433 S 4/1994 Cooper  
 D354,322 S 1/1995 Vodhanel, Jr.  
 D355,007 S 1/1995 Rojas et al.  
 D394,685 S 5/1998 Eckmann  
 D405,484 S 2/1999 Rojas et al.  
 D406,183 S 2/1999 Zovich  
 D409,266 S 5/1999 Rojas et al.  
 D409,695 S 5/1999 Rojas et al.  
 6,014,078 A 1/2000 Rojas et al.  
 D421,076 S 2/2000 Lincir  
 D424,140 S 5/2000 Lincir  
 D424,639 S 5/2000 Rojas et al.  
 D428,947 S 8/2000 Harms et al.  
 D433,468 S 11/2000 Rojas et al.  
 D433,469 S 11/2000 Rojas et al.  
 D433,720 S 11/2000 Rojas et al.  
 D433,721 S 11/2000 Rojas et al.  
 D434,090 S 11/2000 Wallace et al.  
 D437,015 S 1/2001 Rojas et al.  
 D439,290 S 3/2001 Rojas et al.  
 D441,412 S 5/2001 Rojas et al.  
 D441,812 S 5/2001 Rojas et al.  
 D442,239 S 5/2001 Rojas et al.  
 D442,240 S 5/2001 Rojas et al.  
 D442,654 S \* 5/2001 Buchanan ..... D21/680  
 D445,153 S 7/2001 Lincir  
 D445,154 S 7/2001 Lincir  
 D445,854 S 7/2001 Harms et al.  
 D446,265 S 8/2001 Lincir  
 D446,559 S 8/2001 Lincir  
 D448,055 S 9/2001 Lien et al.  
 D450,361 S 11/2001 Harms et al.  
 D451,158 S 11/2001 Lincir  
 D451,159 S 11/2001 Rojas et al.  
 D451,160 S 11/2001 Rojas et al.  
 6,319,176 B1 11/2001 Landfair  
 D454,167 S 3/2002 Lincir

6,354,731 B1 \* 3/2002 Halter ..... G04B 5/18 368/169  
 6,436,015 B1 8/2002 Frasco et al.  
 D463,001 S 9/2002 Buchanan  
 D473,791 S \* 4/2003 Loris ..... D9/438  
 D474,517 S 5/2003 Harms  
 D476,383 S 6/2003 Chen  
 D480,969 S 10/2003 Owens  
 D483,083 S 12/2003 Allshouse et al.  
 6,666,575 B2 \* 12/2003 Scheufele ..... G04B 18/006 368/161  
 6,681,822 B2 1/2004 Adams et al.  
 6,702,723 B2 3/2004 Landfair  
 6,736,765 B2 5/2004 Wallace et al.  
 6,746,380 B2 6/2004 Lien et al.  
 D494,451 S 8/2004 Winig et al.  
 D496,414 S 9/2004 Harms et al.  
 6,837,833 B2 1/2005 Elledge  
 D502,514 S 3/2005 Buchanan et al.  
 6,875,161 B1 4/2005 Brice  
 D504,923 S 5/2005 Harms et al.  
 D511,366 S 11/2005 Brown  
 6,991,590 B2 1/2006 Vigiano  
 D516,639 S 3/2006 Hamilton  
 D519,584 S 4/2006 Brice et al.  
 7,198,591 B2 4/2007 Lien  
 7,207,929 B2 4/2007 Hamilton  
 7,300,389 B2 11/2007 Lien et al.  
 D562,415 S 2/2008 Xu et al.  
 D562,919 S 2/2008 Hillson  
 D566,207 S 4/2008 Cao  
 D566,208 S 4/2008 Messandri et al.  
 D566,209 S 4/2008 Messandri et al.  
 D567,085 S \* 4/2008 Rim ..... D9/454  
 D568,423 S 5/2008 Y'shua et al.  
 D572,320 S 7/2008 Davies, III  
 D573,207 S 7/2008 Davies, III  
 D573,208 S 7/2008 Davies, III  
 7,517,305 B2 4/2009 Lien  
 D606,133 S \* 12/2009 Lien ..... D21/681  
 7,625,322 B1 12/2009 Krull  
 D609,526 S 2/2010 Tuttle  
 D611,524 S 3/2010 Lawrence, III  
 7,704,196 B2 4/2010 Lien et al.  
 D615,605 S 5/2010 Frasco et al.  
 D624,840 S \* 10/2010 Behling ..... D10/129  
 D628,248 S 11/2010 Januszek  
 7,828,702 B2 \* 11/2010 Lien ..... A63B 21/0724 482/106  
 D631,142 S 1/2011 Angell  
 D637,697 S 5/2011 Steiner  
 D639,874 S 6/2011 Hillson  
 D643,075 S 8/2011 Childs  
 D645,346 S \* 9/2011 Liebowitz ..... D9/452  
 D650,302 S \* 12/2011 Greubel ..... D10/128  
 D660,928 S 5/2012 Guarrasi  
 D662,558 S 6/2012 Lovegrove et al.  
 8,282,138 B2 10/2012 Steiner  
 D673,230 S 12/2012 Qin  
 8,434,533 B2 5/2013 Albert et al.  
 D684,224 S 6/2013 Davies, III  
 D688,759 S 8/2013 Davies, III  
 D692,969 S 11/2013 Davies, III  
 D695,128 S 12/2013 Ozsinmaz  
 D722,348 S 2/2015 Kessler  
 D732,613 S 6/2015 Davies, III  
 D736,884 S 8/2015 Lovley, II et al.  
 9,109,616 B1 8/2015 Ballentine  
 9,126,077 B2 9/2015 Rothacker  
 D749,177 S 2/2016 Childs  
 D749,889 S 2/2016 Magistro  
 D751,157 S 3/2016 Irwin et al.  
 D751,940 S 3/2016 Vaughan et al.  
 9,358,414 B2 6/2016 Dephouse  
 9,364,704 B1 6/2016 Kuka  
 D763,658 S 8/2016 Grasselli et al.  
 D764,608 S 8/2016 Jones  
 D766,384 S 9/2016 Jones  
 D769,716 S \* 10/2016 Cameron ..... D9/454



(56)

References Cited

U.S. PATENT DOCUMENTS

D771,205 S 11/2016 Davies, III  
 D772,095 S \* 11/2016 Kummer ..... D10/128  
 9,504,869 B2 11/2016 Gavigan  
 D777,266 S 1/2017 Davies, III  
 D780,859 S 3/2017 Ramsey et al.  
 D780,860 S 3/2017 Jones  
 D780,861 S 3/2017 Jones  
 D788,886 S 6/2017 Salzer  
 9,682,268 B2 6/2017 Breitreutz et al.  
 D795,971 S 8/2017 Patti  
 9,751,270 B2 9/2017 Thompson  
 D798,968 S 10/2017 Lien  
 D799,939 S 10/2017 Lowitz  
 D800,008 S \* 10/2017 Vaughan ..... D11/7  
 D802,689 S 11/2017 Lien  
 D810,849 S 2/2018 Chong  
 D821,175 S 6/2018 Grasselli et al.  
 9,989,922 B2 \* 6/2018 Zaugg ..... G04B 17/063  
 10,005,317 B2 6/2018 Biderman et al.  
 10,010,741 B2 7/2018 Rothschild et al.  
 10,040,259 B2 8/2018 Lister et al.  
 10,076,679 B2 9/2018 Dickerson  
 D831,134 S 10/2018 Hillson  
 D834,115 S 11/2018 Gilbert  
 D842,399 S 3/2019 Arceta  
 D842,941 S 3/2019 Brezovar  
 D843,524 S 3/2019 Henniger  
 10,226,659 B2 3/2019 Stilson  
 D851,711 S 6/2019 Brezovar  
 D852,637 S \* 7/2019 Becerra ..... D9/504  
 D854,636 S 7/2019 Nelson  
 D856,447 S 8/2019 Dunahay  
 D857,131 S 8/2019 Marton et al.  
 D861,809 S 10/2019 Jones et al.  
 D862,617 S 10/2019 Henniger et al.  
 10,456,655 B1 10/2019 Orehek  
 D865,881 S 11/2019 Muir et al.  
 10,537,777 B1 1/2020 Tash et al.  
 D896,901 S 9/2020 Jones  
 10,773,117 B1 9/2020 Goldberg et al.  
 D899,614 S \* 10/2020 Park ..... D24/214  
 D921,131 S 6/2021 Frank et al.  
 D924,340 S 7/2021 Frank et al.  
 D930,093 S 9/2021 Lyu  
 D930,764 S 9/2021 Jones  
 D937,942 S 12/2021 Rothschild  
 D937,943 S 12/2021 Rothschild  
 D937,944 S \* 12/2021 Henniger ..... D21/680  
 11,260,257 B2 3/2022 Rothschild  
 D961,020 S \* 8/2022 Henniger ..... D21/680  
 2001/0049324 A1 12/2001 Wallace et al.  
 2002/0091044 A1 7/2002 Lien et al.  
 2003/0083179 A1 5/2003 Landfair  
 2004/0077466 A1 4/2004 Wallace et al.  
 2004/0092370 A1 5/2004 Lincir  
 2004/0166997 A1 8/2004 Vigiano  
 2005/0026754 A1 2/2005 Lien et al.  
 2006/0073948 A1 4/2006 Lincir  
 2006/0211547 A1 \* 9/2006 Lien ..... A63B 21/0728  
 482/93  
 2006/0240958 A1 10/2006 Liu  
 2006/0293155 A1 12/2006 Hamilton  
 2007/0027007 A1 2/2007 Frasco  
 2007/0135271 A1 6/2007 Lien et al.  
 2007/0138351 A1 6/2007 Wu  
 2007/0142188 A1 6/2007 Lien  
 2007/0184943 A1 8/2007 Davies  
 2008/0050260 A1 2/2008 Iwanami et al.  
 2008/0153678 A1 \* 6/2008 McClusky ..... A63B 21/0728  
 482/106  
 2008/0200316 A1 8/2008 Shillington  
 2008/0287271 A1 11/2008 Jones  
 2009/0048079 A1 2/2009 Nalley  
 2009/0118105 A1 5/2009 Schiff  
 2009/0192025 A1 7/2009 Minerva

2009/0239719 A1 9/2009 Patti  
 2009/0258766 A1 10/2009 Patti  
 2009/0270233 A1 10/2009 Cao  
 2010/0022359 A1 1/2010 Lin  
 2010/0125030 A1 5/2010 Shifferaw  
 2011/0021327 A1 1/2011 Lien  
 2012/0094810 A1 4/2012 Anderson  
 2012/0234444 A1 9/2012 Palinkas et al.  
 2013/0165300 A1 6/2013 Richards  
 2014/0024504 A1 1/2014 Potts et al.  
 2014/0057764 A1 2/2014 Klukas  
 2014/0162850 A1 6/2014 Chen  
 2014/0256521 A1 9/2014 Davies, III  
 2014/0274595 A1 9/2014 Patti  
 2015/0001136 A1 1/2015 Galloway McLean  
 2015/0011369 A1 1/2015 Peritz  
 2015/0231441 A1 8/2015 Davies, III  
 2016/0175640 A1 6/2016 Kempton  
 2017/0113088 A1 4/2017 Hollingshead  
 2017/0149269 A1 5/2017 Rojas et al.  
 2017/0151460 A1 6/2017 Jennings et al.  
 2017/0258661 A1 9/2017 Bradford  
 2018/0028857 A1 2/2018 Rothschild et al.  
 2018/0272175 A1 9/2018 Henniger  
 2019/0038927 A1 2/2019 Wilhelm et al.  
 2019/0111304 A1 4/2019 Gilman  
 2019/0143742 A1 5/2019 Ferry et al.  
 2019/0232100 A1 8/2019 Rothschild  
 2019/0299047 A1 10/2019 Nalley  
 2019/0388723 A1 12/2019 Nalley et al.  
 2020/0171338 A1 6/2020 Jones  
 2020/0360755 A1 11/2020 Rothschild  
 2020/0376320 A1 12/2020 Wang  
 2020/0384307 A1 12/2020 Bowers  
 2021/0187340 A1 6/2021 Chen  
 2021/0275853 A1 9/2021 Rothschild

FOREIGN PATENT DOCUMENTS

AU 202013335 11/2020  
 AU 202015921 11/2020  
 CA 3090106 A1 8/2019  
 CN 3191234 6/2001  
 CN 2512467 Y 9/2002  
 CN 303340060 8/2015  
 CN 303896560 10/2016  
 CN 304438760 1/2018  
 CN 305524546 12/2019  
 CN 111867685 A 10/2020  
 EM 003110402-0001 7/2016  
 EM 007065669-0001 10/2019  
 EM 008003958-0002 8/2020  
 EM 008003958-0003 8/2020  
 EM 3746191 A1 12/2020  
 EM 008003958-0001 12/2020  
 ES 1038081 U 5/1998  
 WO 2019152493 A1 8/2019

OTHER PUBLICATIONS

Rep fitness store, announced 2019 [online], [site visited Aug. 4, 2023]. Available on internet, URL:<https://www.amazon.com/Urethane-Coated-Plate-v3-5lb-Pair/dp/B07VRXC54R/ref> (Year: 2019).\*

Product listing for CAP 12-sided Olympic Rubber Coated Grip Plate from <<https://web.archive.org/web/20170621232634/http://capbarbell.com/cap-barbell-12-sided-2-rubber-grip-plate/>>, dated Jun. 21, 2017.

Product listing for Rogue 6-Shooter Urethane Olympic Grip Plates from <<https://web.archive.org/web/20170714033025/http://www.roguefitness.com:80/rogue-6-shooter-urethane-olympic-grip-plates>>, dated Jul. 14, 2017.

CAP Barbell Weight Plates listing from <<https://web.archive.org/web/20180103173524/http://capbarbell.com/strength/weight-plates>>, dated Jan. 3, 2018.

BodyRip Premium Pro (2x10kg) Olympic-Grip Rubber Plates: Published Mar. 24, 2014 [online], site visited Dec. 1, 2019, Avail-



(56)

## References Cited

## OTHER PUBLICATIONS

able from Internet URL: [https://www.amazon.co.uk/dp/B00J7S8ZGC/ref=cm\\_sw\\_r\\_tw\\_dp\\_U\\_x\\_Xof5DbXRFZ5AC](https://www.amazon.co.uk/dp/B00J7S8ZGC/ref=cm_sw_r_tw_dp_U_x_Xof5DbXRFZ5AC) (Year: 2014).

Viavito Tri Grip Vinyl Standard Weight Plates: Published Mar. 17, 2016 [online], site visited Dec. 1, 2019. Available from Internet URL: [https://www.amazon.co.uk/dp/B01D3U5RXI/ref=cm\\_sw\\_r\\_tw\\_dp\\_U\\_x\\_epf5Db1B78TVQ](https://www.amazon.co.uk/dp/B01D3U5RXI/ref=cm_sw_r_tw_dp_U_x_epf5Db1B78TVQ) (Year: 2016).

Bodypower 10kg Tri Grip Vinyl Standard (1 Inch) Weight Disc Plates: Published Jun. 10, 2013 [online], site visited Dec. 1, 2019. Available from Internet URL: [https://www.amazon.co.uk/dp/B00E4WH2NS/ref=cm\\_sw\\_r\\_tx\\_dp\\_U\\_x\\_Fpf5DbMHT60MN](https://www.amazon.co.uk/dp/B00E4WH2NS/ref=cm_sw_r_tx_dp_U_x_Fpf5DbMHT60MN) (Year: 2013).

BodyRip Olympic Polygonal Weight Plates: Published Feb. 3, 2015 [online], site visited Dec. 1, 2019. Available from Internet URL: [https://www.amazon.co.uk/dp/B00T4GM5W2/ref=cm\\_sw\\_r\\_tw\\_dp\\_U\\_x\\_ASg5DbMR69J5P](https://www.amazon.co.uk/dp/B00T4GM5W2/ref=cm_sw_r_tw_dp_U_x_ASg5DbMR69J5P) (Year: 2015).

BodyRip Polygonal Weight Plates 1x10kg BodyRip: Published Feb. 7, 2014 [online], site visited Dec. 1, 2019. Available from Internet URL: [https://www.amazon.co.uk/dp/B00IARQAWW/ref=cm\\_sw\\_r\\_tw\\_dp\\_U\\_x\\_5lf5DbXR685AX](https://www.amazon.co.uk/dp/B00IARQAWW/ref=cm_sw_r_tw_dp_U_x_5lf5DbXR685AX) (Year: 2014).

Mar. 10, 2020 (WO) International Search Report & Written Opinion PCT/US2019/064237.

Ignite by Spri Weight Plates: Published 2017[online], site visited Dec. 1, 2019. Available from Internet URL: [https://www.amazon.com/dp/B001F1Y1G/ref=cm\\_sw\\_r\\_tw\\_dp\\_U\\_x\\_MSN7DbQ7T67HB](https://www.amazon.com/dp/B001F1Y1G/ref=cm_sw_r_tw_dp_U_x_MSN7DbQ7T67HB) (Year: 2017).

Body Solid Rubber Grip Olympic Weight Plates (ORST255) Body-solid: Published Feb. 2, 2009[online], site visited Dec. 1, 2019. Available from Internet URL: [https://www.amazon.com/dp/B001FIY17C/ref=cm\\_sw\\_r\\_tw\\_dp\\_U\\_x\\_MSN7DbQ7T67H8](https://www.amazon.com/dp/B001FIY17C/ref=cm_sw_r_tw_dp_U_x_MSN7DbQ7T67H8) (Year: 2009).

Product listing for 2" Deep Dish Olympic Weight Plates, from <<https://yorkbarbell.com/product/deep-dish-olympic-plate/>>, dated Jul. 7, 2020.

Product listing for Apollo Athletics Deep Dish Olympic Plates, from <https://www.showmeweights.com/apollo-athletics-deep-dish-olympic-plates.html>, dated Jul. 7, 2020.

Photo of Olympic Standard Barbell Weight Plates, from [https://www.picclickimg.com/d/1400/pict/132810172419/\\_Olympic-Standard-Barbell-Vintage-Deep-Dish-Weight-Plates.jpg](https://www.picclickimg.com/d/1400/pict/132810172419/_Olympic-Standard-Barbell-Vintage-Deep-Dish-Weight-Plates.jpg), dated Jul. 7, 2020.

Product listing for 2" Hole Olympic Weights and Hampton Olympic Bars, from <<https://www.google.com/url?sa=i&url=http%3A%2F%2Fwww.shoppok.com%2Ftoledo%2Fa%2C39%2C138616%2C2-hole-Olympic-Weights-and-Hampton-Olympic-bars-Ypsilanti-mi-48197-.htm&psig=AOwVaw1beW0Nv1j4xfi64WvSomVK&ust=1592656917597000&source=images&cd=vfe&ved=0CAIQjRxqFwoTCMDE38HzjeoCFQAAAAAdAAAAABAJ>>, dated Jul. 7, 2020.

Photo of York Olympic Standard Barbell Weight Plates, from <https://external-preview.redd.it/>

[GeIL3ODNpQ8Rv7Xu1vfzNyPzFSSdljn9crrZ4i5T5-4.jpg?auto=webp&s=d87da24a6c3837e0e90f9c88b366c7781fb9f150](https://www.picclickimg.com/d/1400/pict/162970072869/_245-lbs-Vintage-Deep-Dish-York-made-in-USA-Olympic.jpg), dated Jul. 7, 2020.

A Guide to Buying Steel Powerlifting Plates & Discs, from <https://www.garage-gyms.com/steel-powerlifting-weight-plates-discs-guide-review/>, dated Nov. 16, 2017.

Photo of York Barbell Weight Plates, from [https://i.ebayimg.com/00/s/OTQzWDE2MDA=/z/FkEAAOSwi~deOkZf/\\$\\_3.JPG?set\\_id=8800005007](https://i.ebayimg.com/00/s/OTQzWDE2MDA=/z/FkEAAOSwi~deOkZf/$_3.JPG?set_id=8800005007), dated Jul. 7, 2020.

Photo of York Olympic Standard Barbell Weight Plate, from [https://www.picclickimg.com/d/1400/pict/162970072869/\\_245-lbs-Vintage-Deep-Dish-York-made-in-USA-Olympic.jpg](https://www.picclickimg.com/d/1400/pict/162970072869/_245-lbs-Vintage-Deep-Dish-York-made-in-USA-Olympic.jpg), dated Jul. 7, 2020.

Screen capture of Rogue Elephant Bar Deadlift—Full Live Stream | Arnold Strongman Classic 2020, from <[https://www.youtube.com/watch?v=CuYsT9GeUmc&feature=emb\\_rel\\_pause](https://www.youtube.com/watch?v=CuYsT9GeUmc&feature=emb_rel_pause)>, dated Mar. 7, 2020.

Cap barbell, announced 2015 [online] [site visited Dec. 23, 2020]. Available from internet, URL: [https://www.amazon.com/CAP-Barbell-Olympic-Sided-Single/dp/B00XP89NUW/ref=sr\\_1\\_67?dchild=1&keywords=OLYMPIC+WEIGHT+PLATE&qid=160875628&sr=8-67](https://www.amazon.com/CAP-Barbell-Olympic-Sided-Single/dp/B00XP89NUW/ref=sr_1_67?dchild=1&keywords=OLYMPIC+WEIGHT+PLATE&qid=160875628&sr=8-67) (Year: 2015).

Ader sporting goods Olympic plate, announced 2013 [online], [site visited Dec. 21, 2020]. Available from internet, URL: [https://www.amazon.com/Olympic-Plate-Machine-Finished-Pair/dp/B00D4YOPR8/ref=sr\\_1\\_90?dchild=1&keywords=CAP%2BWEIGHT%2BPLATE&qid=1608582870&sr=8-90&th=1&psc=1](https://www.amazon.com/Olympic-Plate-Machine-Finished-Pair/dp/B00D4YOPR8/ref=sr_1_90?dchild=1&keywords=CAP%2BWEIGHT%2BPLATE&qid=1608582870&sr=8-90&th=1&psc=1) (Year: 2013).

Cap barbell 45 lb gray Olympic weight plate, announced 2017 [online], [site visited Dec. 21, 2020]. Available from internet, URL: [https://www.amazon.com/CAP-Barbell-Olympic-Weight-Single/dp/B003070MZL/ref=sr\\_1\\_23?dchild=1&keywords=ROGUE+WEIGHT+PLATE&qid=1608582701&sr=8-23](https://www.amazon.com/CAP-Barbell-Olympic-Weight-Single/dp/B003070MZL/ref=sr_1_23?dchild=1&keywords=ROGUE+WEIGHT+PLATE&qid=1608582701&sr=8-23) (Year: 2017).

Product listing for Rogue LB Competition Plates, From: <http://web.archive.org/web/20180724000915/https://www.roguefitness.com/rogue-competition-plates>, dated Jun. 13, 2014, accessed Jun. 24, 2021.

Product listing for Rogue Dumbbell Bumpers, From: <http://web.archive.org/web/20180830044526/https://www.roguefitness.com/rogue-dumbbell-bumpers>, dated Aug. 30, 2018, accessed Jun. 24, 2021.

Product listing for Rogue Olympic Plates; from: <http://web.archive.org/web/20190402011443/https://www.roguefitness.com/rogue-olympic-plates>; dated Jun. 14, 2014, accessed Jul. 1, 2021.

Product listing for Rogue Olympic Plates, From: <https://www.roguefitness.com/rogue-olympic-plates>, dated Jun. 14, 2014, accessed Jul. 7, 2021.

Product listing for York Legacy Iron Plates, From: <https://www.roguefitness.com/york-legacy-iron-plates>, dated Jun. 21, 2014, accessed Jul. 7, 2021.

U.S. Appl. No. 62/703,092; Kyle D. Rothschild (expired).

Elephant Bar Deadlift, 2016 Arnold Classic from <<https://www.roguefitness.com/theindex/video/the-rogue-elephant-bar-deadlift-2016-arnold-strongman-classic>>, 2016, retrieved Jun. 23, 2023.

\* cited by examiner

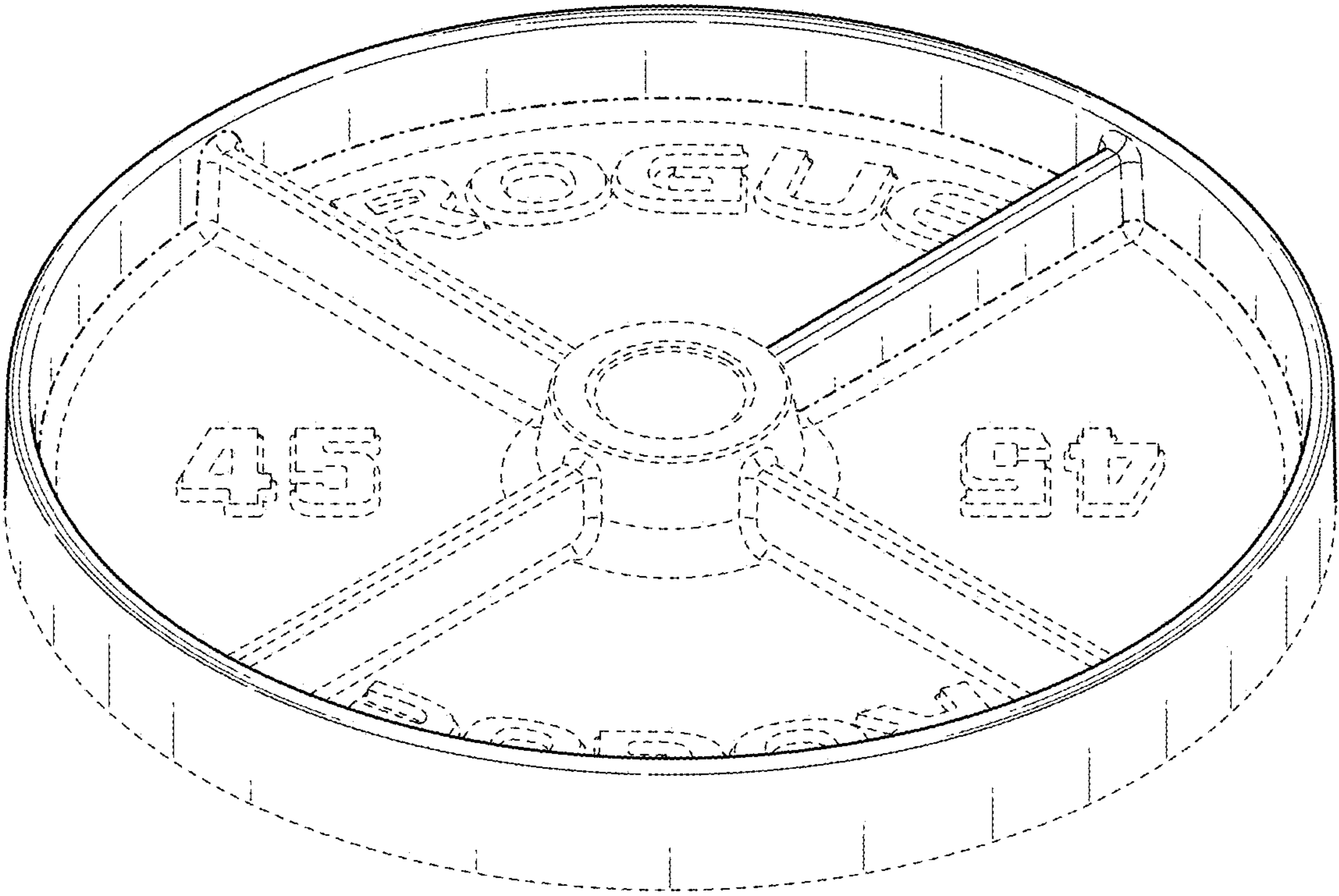
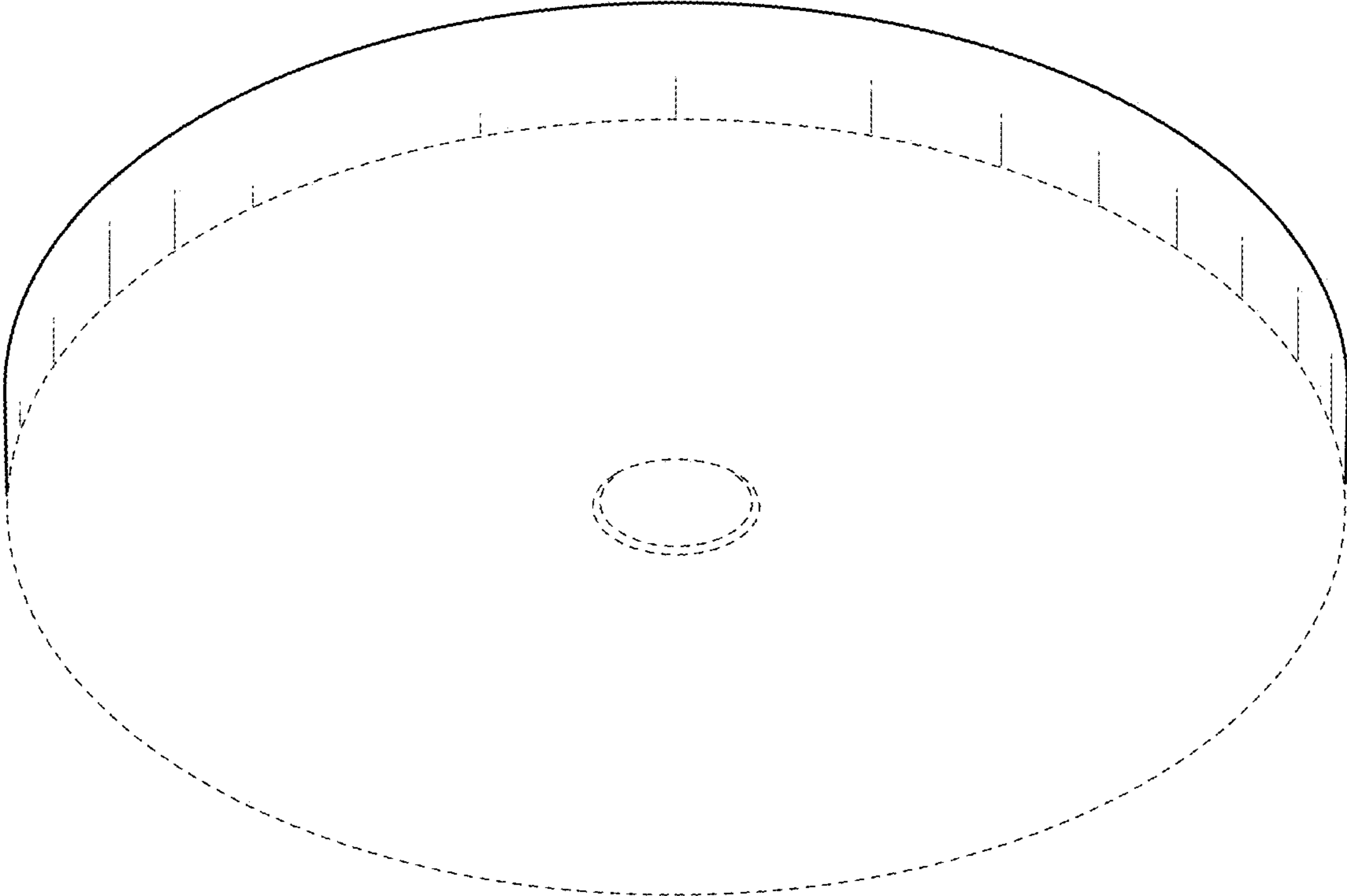
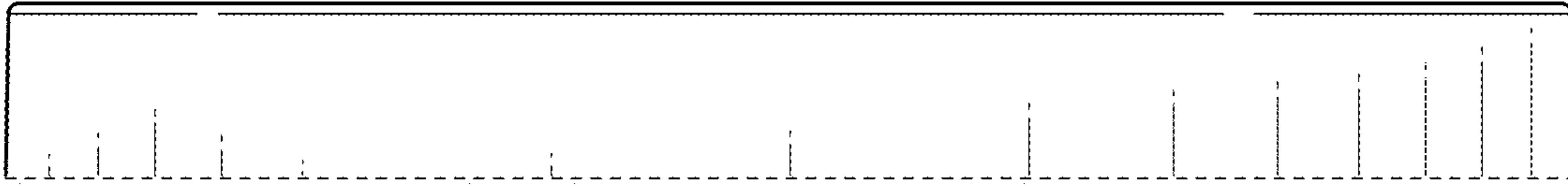


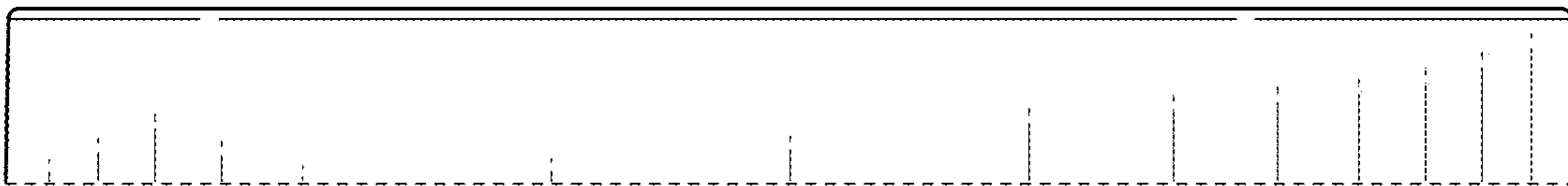
FIG. 1



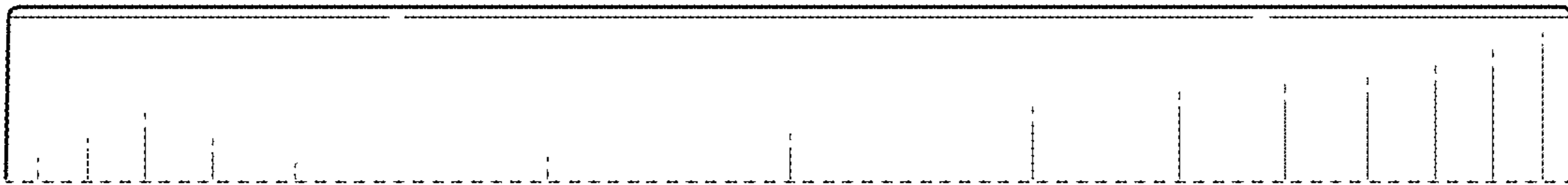
**FIG. 2**



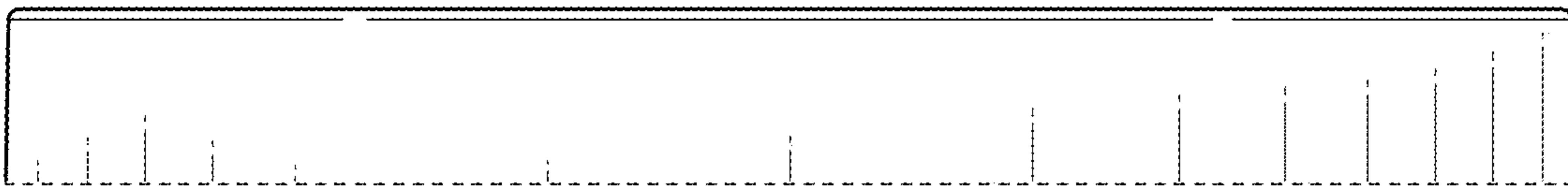
**FIG. 3**



**FIG. 4**



**FIG. 5**



**FIG. 6**



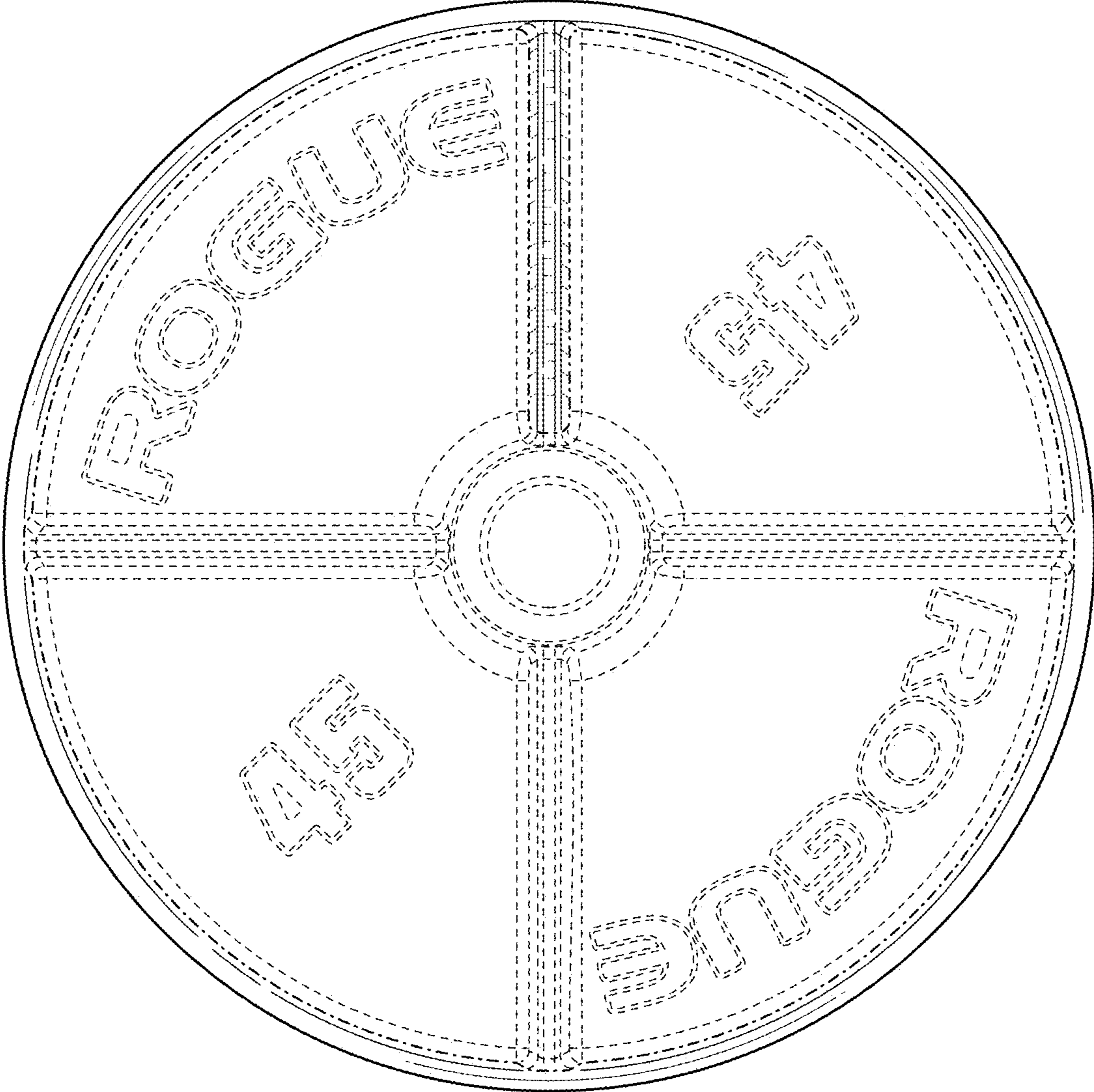
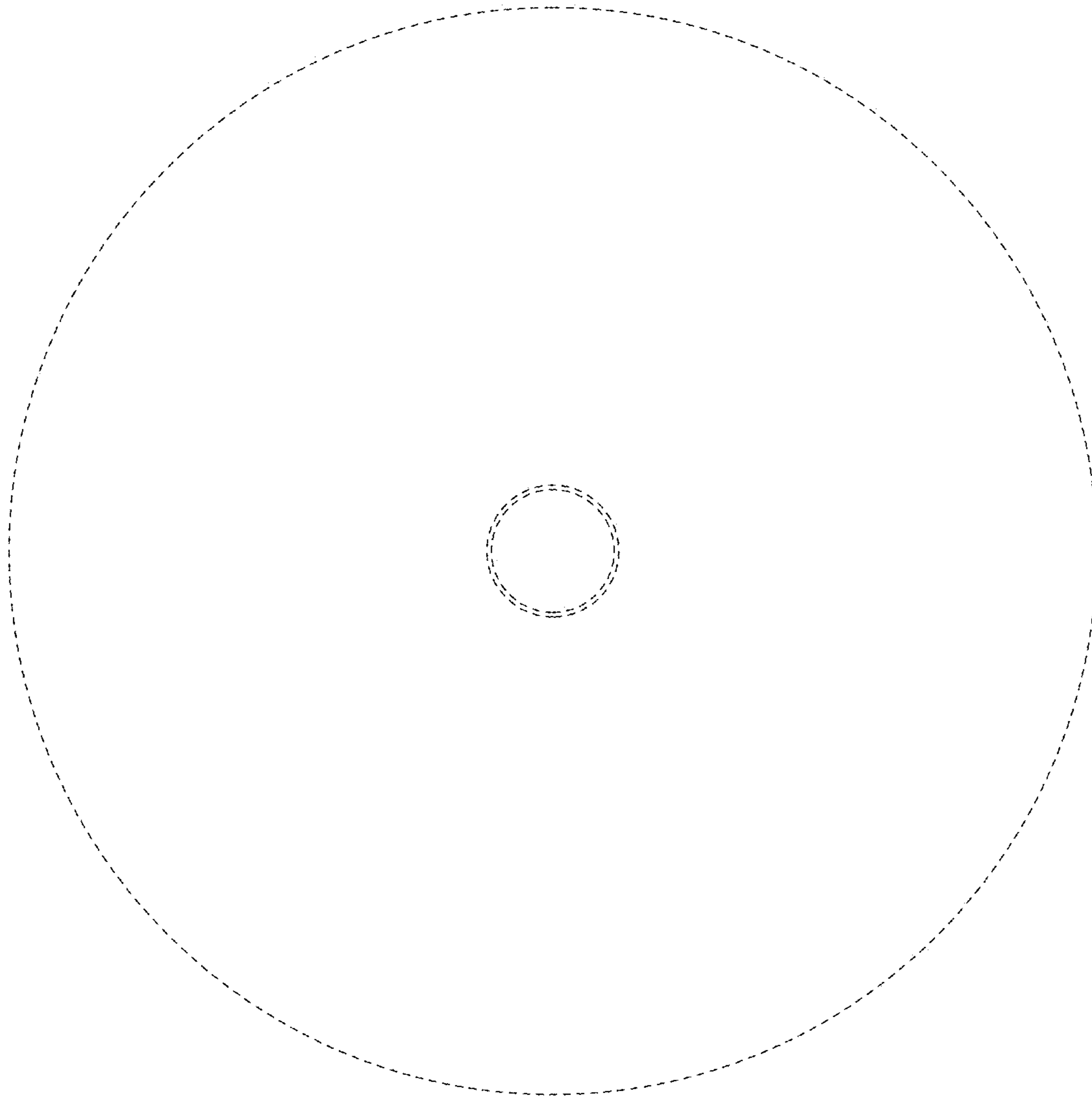


FIG. 7





**FIG. 8**