

US0D1027021S

(12) **United States Design Patent** (10) **Patent No.:** **US D1,027,021 S**  
**Ridinger** (45) **Date of Patent:** **\*\* May 14, 2024**

(54) **CLIP-ON MUSICAL INSTRUMENT TUNER**

(71) Applicant: **Evets Corporation**, Irvine, CA (US)

(72) Inventor: **Stephen T. Ridinger**, Irvine, CA (US)

(73) Assignee: **Evets Corporation**, Irvine, CA (US)

(\*\*) Term: **15 Years**

(21) Appl. No.: **29/857,252**

(22) Filed: **Oct. 20, 2022**

(51) **LOC (14) Cl.** ..... **17-03**

(52) **U.S. Cl.**

USPC ..... **D17/20**; D17/99

(58) **Field of Classification Search**

USPC ..... D17/9, 20, 22, 99

CPC ..... G10D 3/053; G10D 3/14; G10D 3/147;

G10D 3/20; G10D 9/01; G10D 99/00;

G10D 13/11; G10D 13/16; G10B 3/14

See application file for complete search history.

(56) **References Cited**

**U.S. PATENT DOCUMENTS**

D287,137 S \* 12/1986 Bushman ..... D17/20

4,754,682 A \* 7/1988 Getzen ..... G10D 9/01

84/382

D573,629 S \* 7/2008 Steinberger ..... D17/20

D703,263 S \* 4/2014 D’Addario ..... D17/99

D709,124 S \* 7/2014 Ridinger ..... D17/99

D775,271 S \* 12/2016 Ridinger ..... D14/188

D779,586 S \* 2/2017 Araki ..... D17/99

D863,417 S \* 10/2019 Jia ..... D17/20

D874,558 S \* 2/2020 Ridinger ..... D14/188

D876,532 S \* 2/2020 D’Addario ..... D14/188

D881,982 S \* 4/2020 Zhang ..... D17/20

2019/0371284 A1 \* 12/2019 Ridinger ..... G10G 7/02

**OTHER PUBLICATIONS**

Amazon. [https://www.amazon.com/SNARK-AIR-1-Snark-Tuner/dp/B0BNNYPVYR/ref=sr\\_1\\_40?crid=1XDHZA0AL4CF0&dib=](https://www.amazon.com/SNARK-AIR-1-Snark-Tuner/dp/B0BNNYPVYR/ref=sr_1_40?crid=1XDHZA0AL4CF0&dib=)

eyJ2IjoiMSJ9.4m\_Mb37G103pyhNfU-9lne5vkhfHL1cAsIPxZTam5wH9GMng2yNp5zmljuzN8iJBySY4XDvk2onQP4GSGMIjYrpjDt8W1nn2c9QmAcLLSpOIJIs2zNGWxfpY . . . “Snark Tuner (AIR-1)”. Dec. 2022 (Year: 2022).\*

Performer: The Musician’s Resource. <https://performermag.com/best-instruments/best-guitar-picks-accessories/daddario-ns-micro-clip-on-tuner-review/>. “D’Addario NS Micro Clip-On Tuner Review.” Jan. 2014 (Year: 2014).\*

Sweetwater. <https://www.sweetwater.com/store/detail/EB4112--ernie-ball-flexitone-clip-on-tuner>. “Ernie Ball Flexitone Clip On Tuner”. Dec. 2020 (Year: 2020).\*

Sweetwater. [https://www.sweetwater.com/c938--Guitar\\_Tuners?highlight=NSMicroClip2PK&ost=&pn=3](https://www.sweetwater.com/c938--Guitar_Tuners?highlight=NSMicroClip2PK&ost=&pn=3). “D’Addario PW-CT-12TP Micro Headstock Tuner (2-pack)”. Date Unknown: Viewed Mar. 2024 (Year: 2024).\*

\* cited by examiner

*Primary Examiner* — R. Johnson

(74) *Attorney, Agent, or Firm* — Joseph Leone; DeWitt LLP

(57) **CLAIM**

The ornamental design for a clip-on musical instrument tuner, as shown and described.

**DESCRIPTION**

FIG. 1 is a right side elevational of a clip-on musical instrument tuner showing my new design;

FIG. 2 is a left side elevational view thereof;

FIG. 3 is a front elevational view thereof;

FIG. 4 is a rear elevational view thereof;

FIG. 5 is a top plan view thereof; and

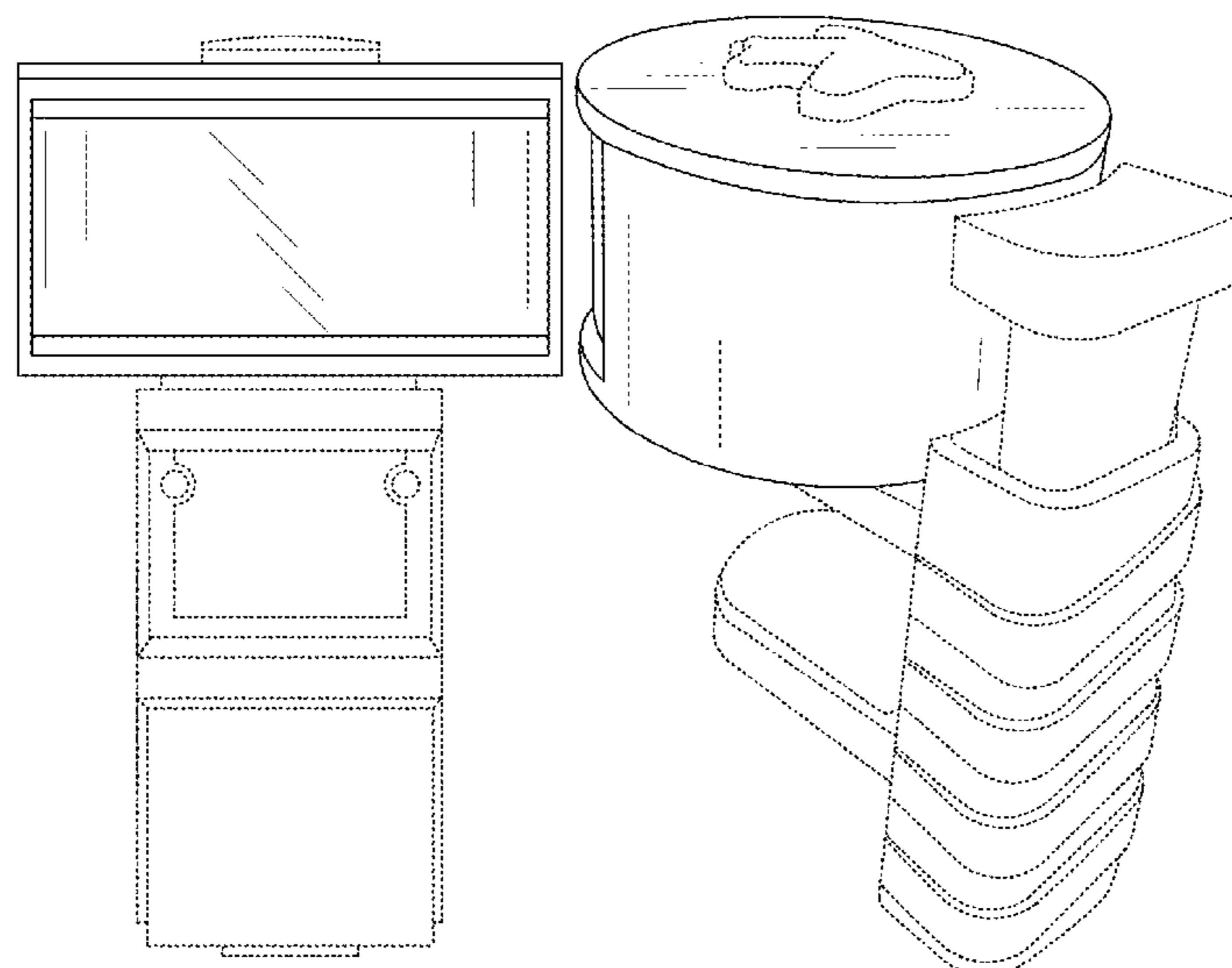
FIG. 6 is a bottom plan view thereof;

FIG. 7 is a rear, right perspective view thereof; and,

FIG. 8 is another, alternative left-side elevational view thereof.

The broken lines represent the portions of the clip-on musical instrument tuner that form no part of the claimed design.

**1 Claim, 4 Drawing Sheets**



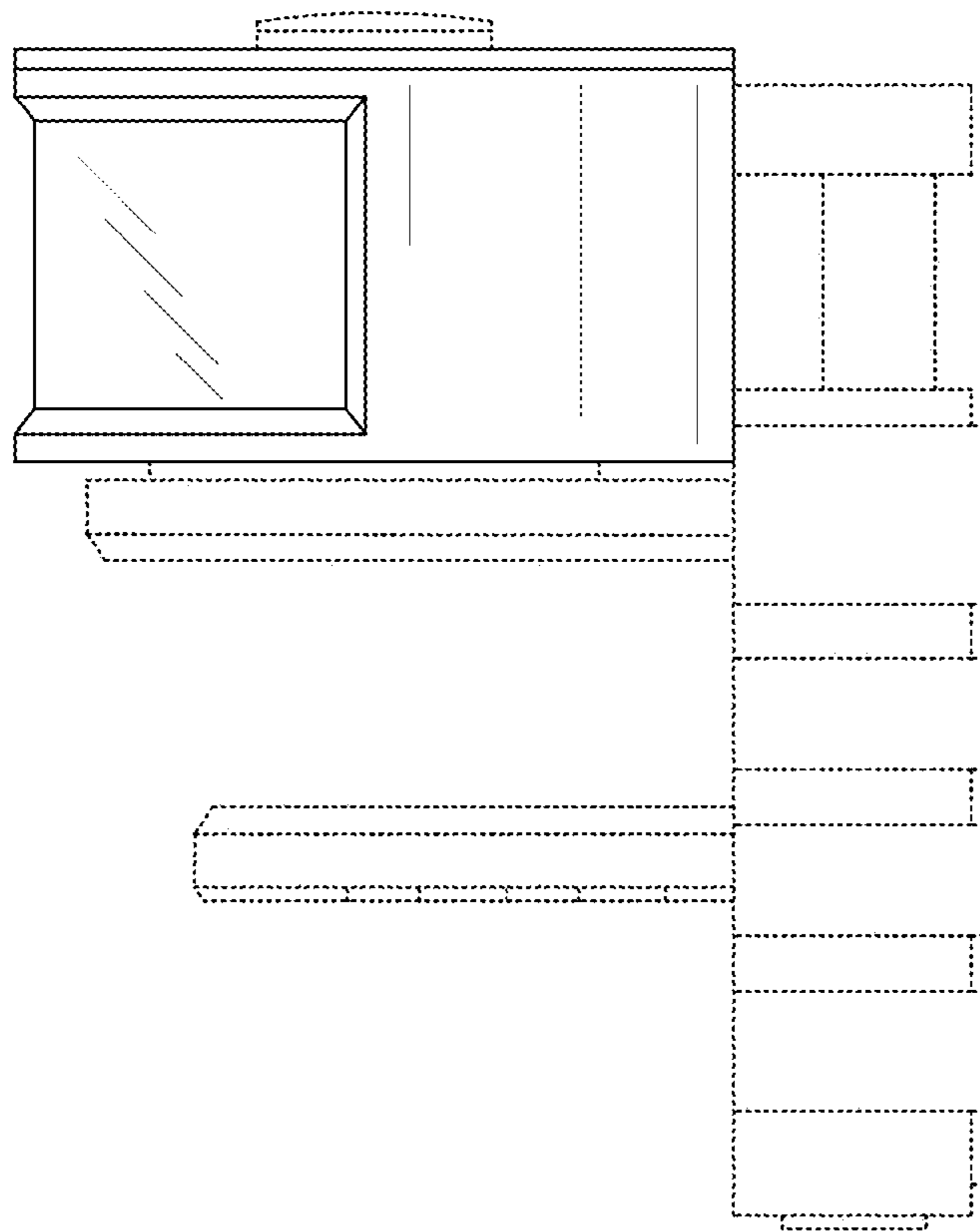


FIG. 1

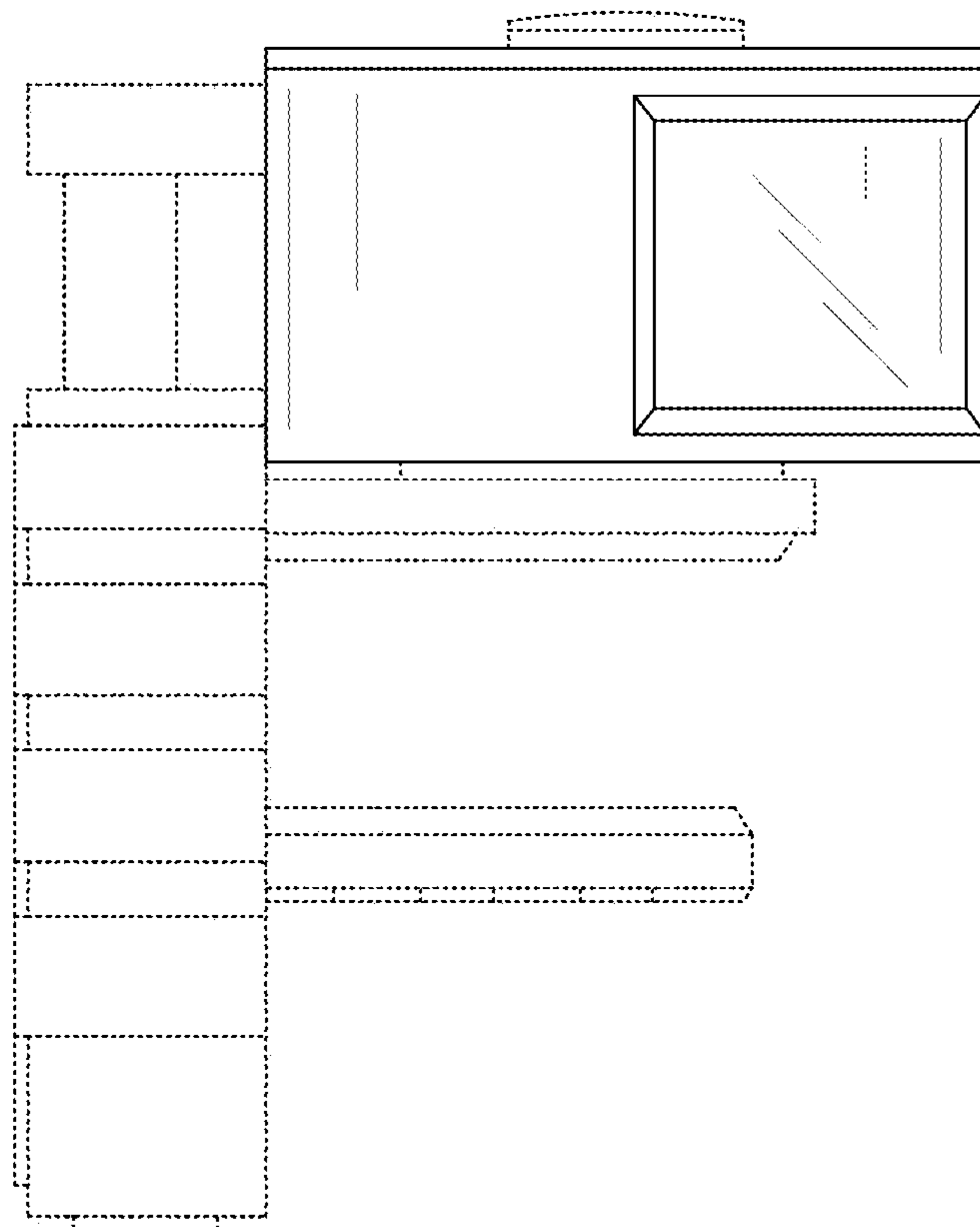


FIG. 2

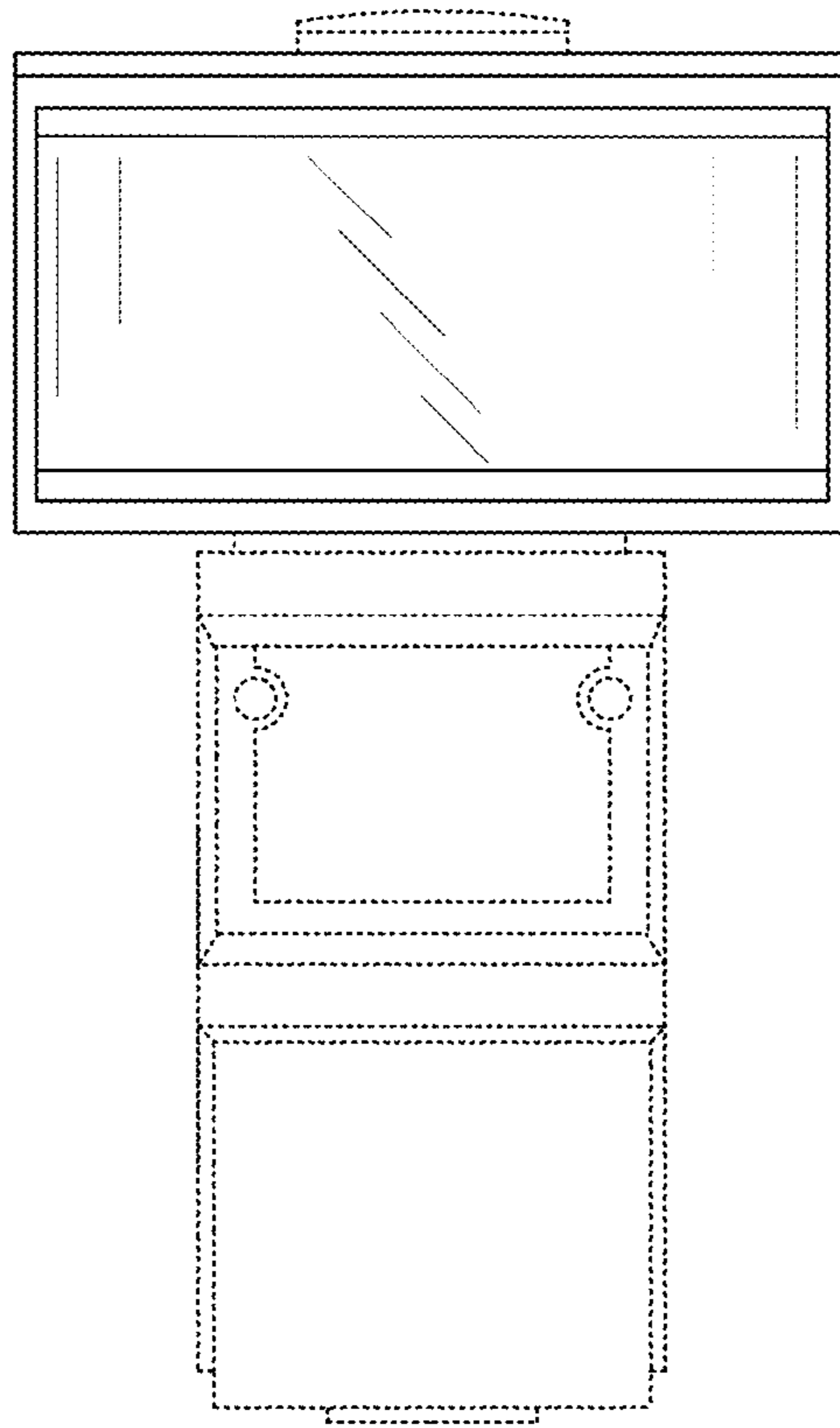


FIG. 3

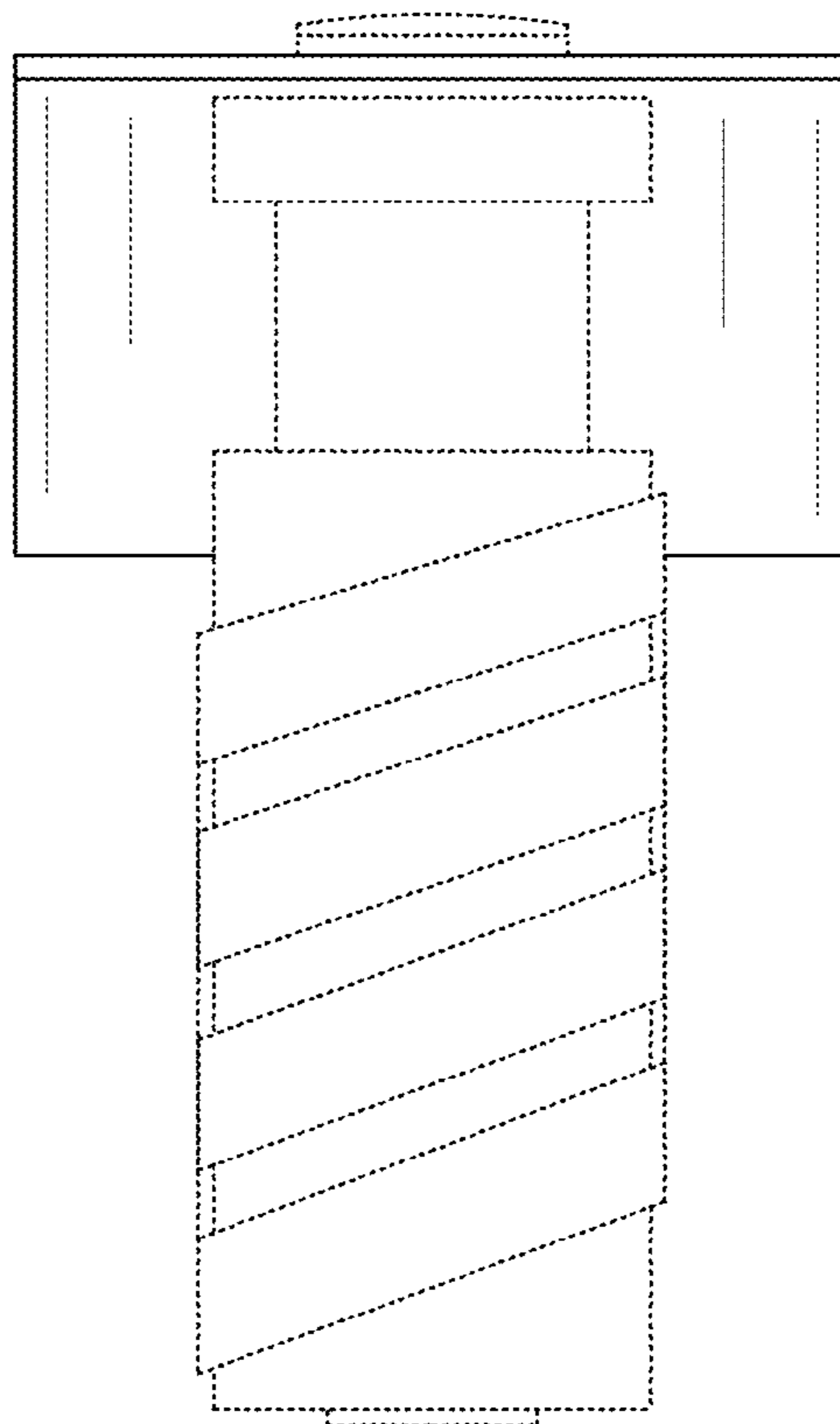


FIG. 4

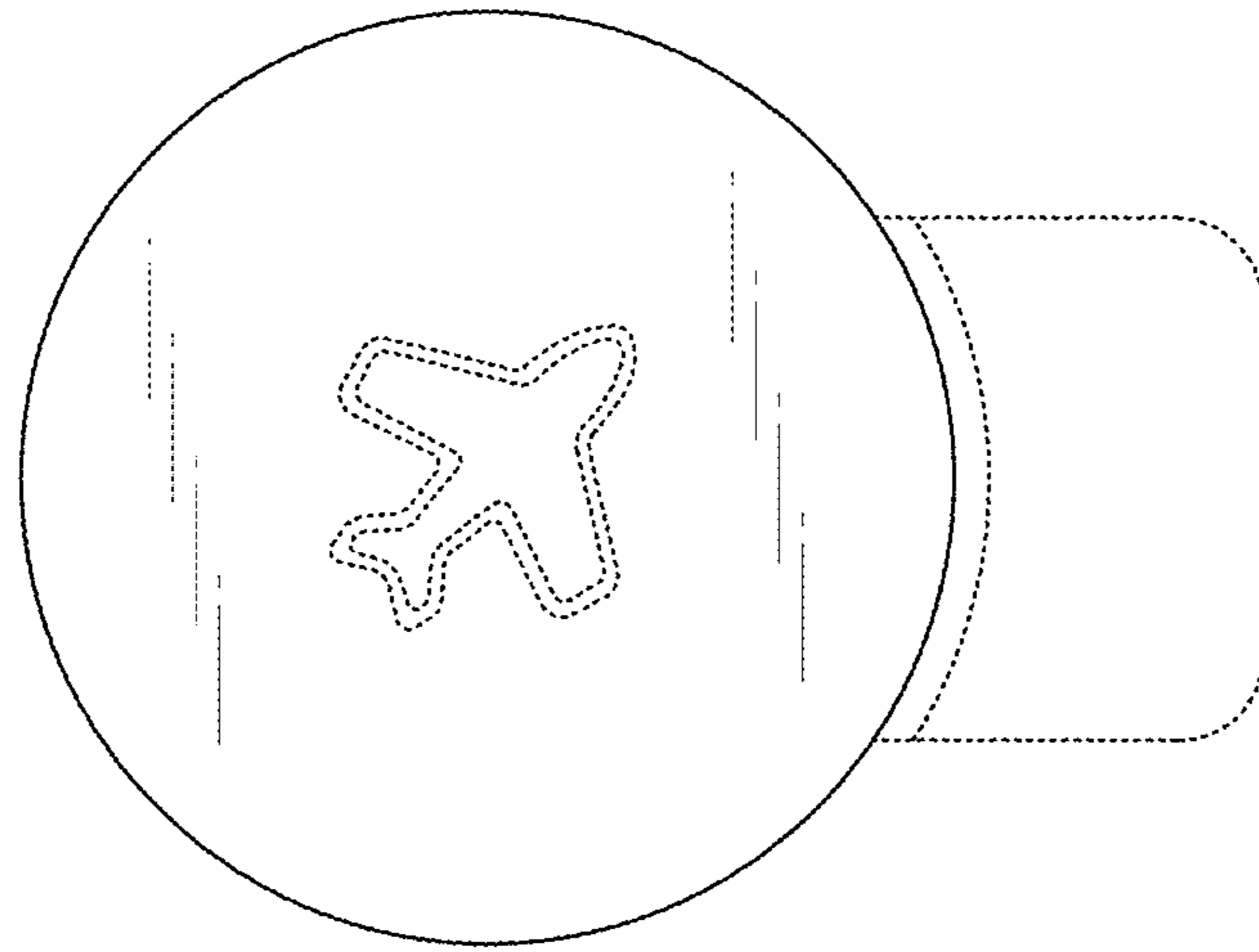


FIG. 5

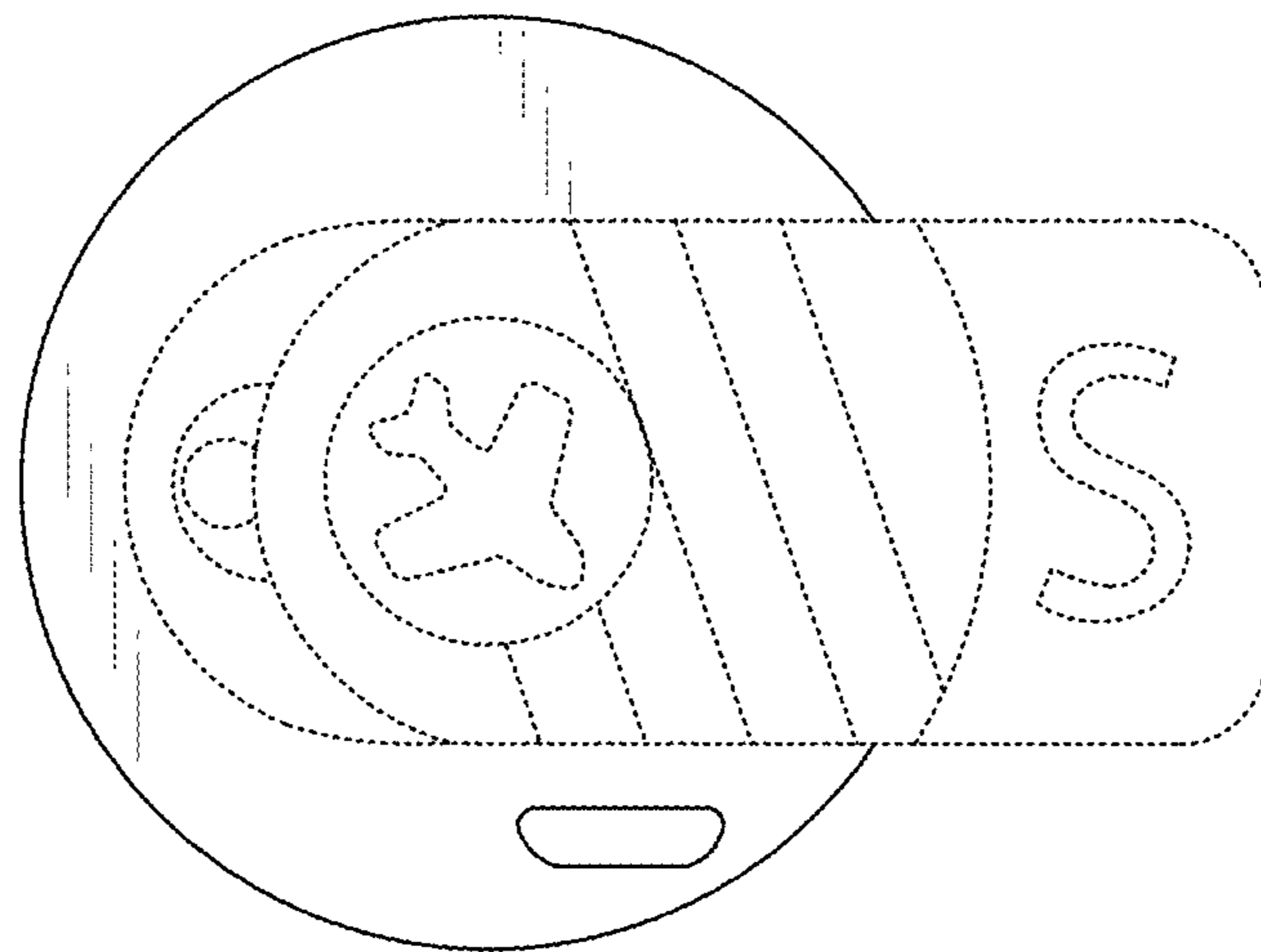


FIG. 6

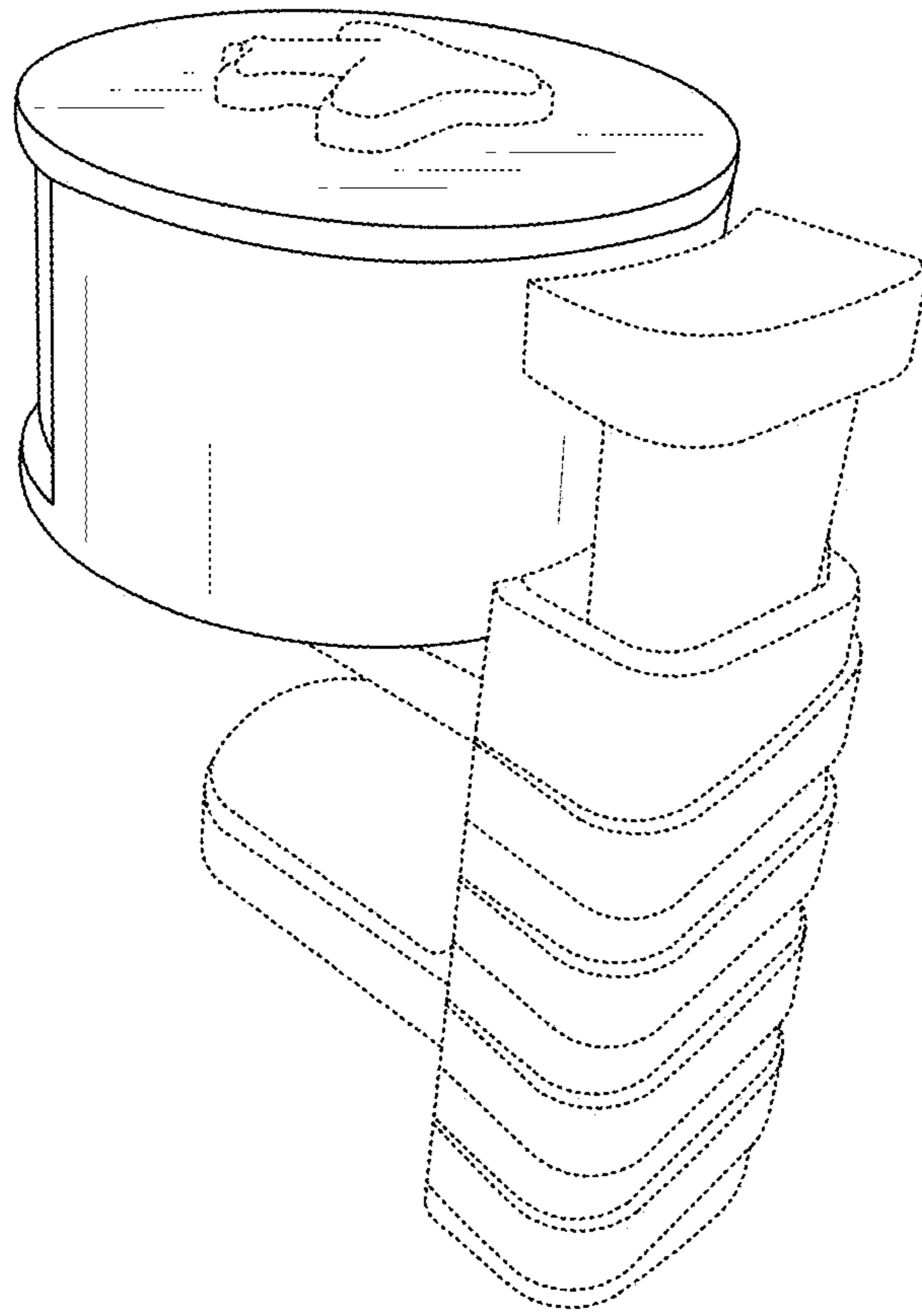


FIG. 7

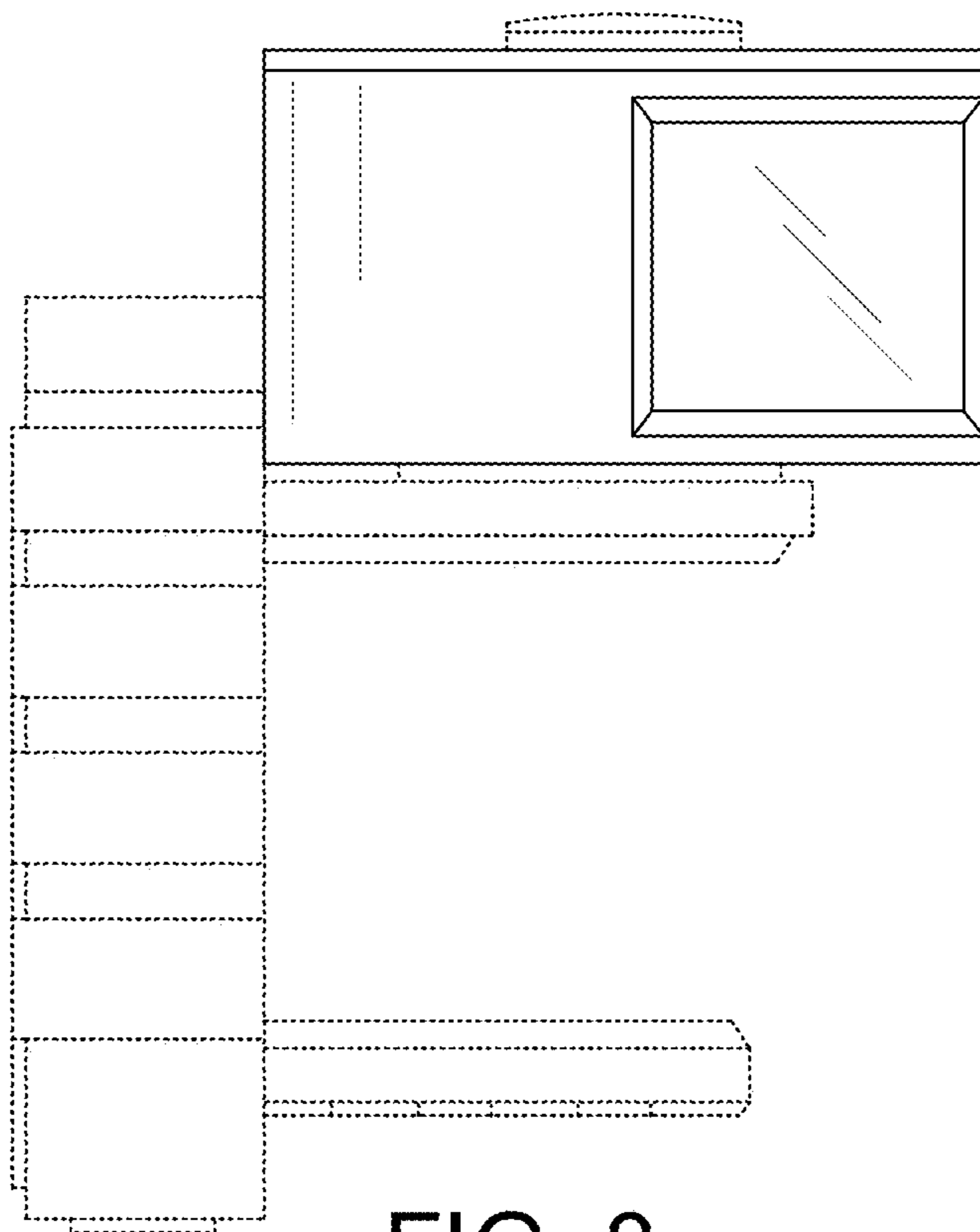


FIG. 8