



US0D1027005S

(12) **United States Design Patent**  
**Miyamoto**

(10) **Patent No.: US D1,027,005 S**

(45) **Date of Patent: \*\* May 14, 2024**

(54) **CAMERA LENS ATTACHMENT FOR A  
TABLET OR MOBILE DEVICE**

(71) Applicant: **The Procter & Gamble Company,**  
Cincinnati, OH (US)

(72) Inventor: **Naoki Miyamoto,** Kobe (JP)

(73) Assignee: **The Procter & Gamble Company,**  
Cincinnati, OH (US)

(\*\*) Term: **15 Years**

(21) Appl. No.: **29/733,190**

(22) Filed: **Apr. 30, 2020**

(30) **Foreign Application Priority Data**

Oct. 31, 2019 (CN) ..... 201930597277.0

(51) **LOC (14) Cl.** ..... **16-05**

(52) **U.S. Cl.**  
USPC ..... **D16/237**

(58) **Field of Classification Search**  
USPC ..... D16/209, 219, 237-241; D14/251-253,  
D14/224, 224.1, 447, 451, 452

(Continued)

(56) **References Cited**

**U.S. PATENT DOCUMENTS**

D223,549 S \* 5/1972 Vinson ..... D16/237  
D250,263 S \* 11/1978 De Zinno ..... D14/239

(Continued)

**FOREIGN PATENT DOCUMENTS**

GB 8208021000-1000 \* 4/2020  
GB 8208021000-2000 \* 4/2020

(Continued)

**OTHER PUBLICATIONS**

Smartphone Lens Hood Review. Great for Taking Pictures Through Windows . . . [online]. Posted Mar. 6, 2021. [Retrieved from the Internet Aug. 8, 2023.] <URL: <https://www.youtube.com/watch?v=s0OZ9f44vO0> >.\*

(Continued)

*Primary Examiner* — Rebekah A Caruso

(74) *Attorney, Agent, or Firm* — Alexandra S. Anoff

(57) **CLAIM**

The ornamental design for a camera lens attachment for a tablet or mobile device, as shown and described.

**DESCRIPTION**

FIG. 1 is a perspective view of an embodiment of our new design for a camera lens attachment for a tablet or mobile device;

FIG. 2 is a 2<sup>nd</sup> perspective view thereof;

FIG. 3 is a front view thereof;

FIG. 4 is a back view thereof;

FIG. 5 is a left view thereof;

FIG. 6 is a right view thereof;

FIG. 7 is a top view thereof;

FIG. 8 is a bottom view thereof;

FIG. 9 is a perspective view of a second embodiment of our new design for a camera lens attachment for a tablet or mobile device;

FIG. 10 is a 2<sup>nd</sup> perspective view thereof;

FIG. 11 is a front view thereof;

FIG. 12 is a back view thereof;

FIG. 13 is a left view thereof;

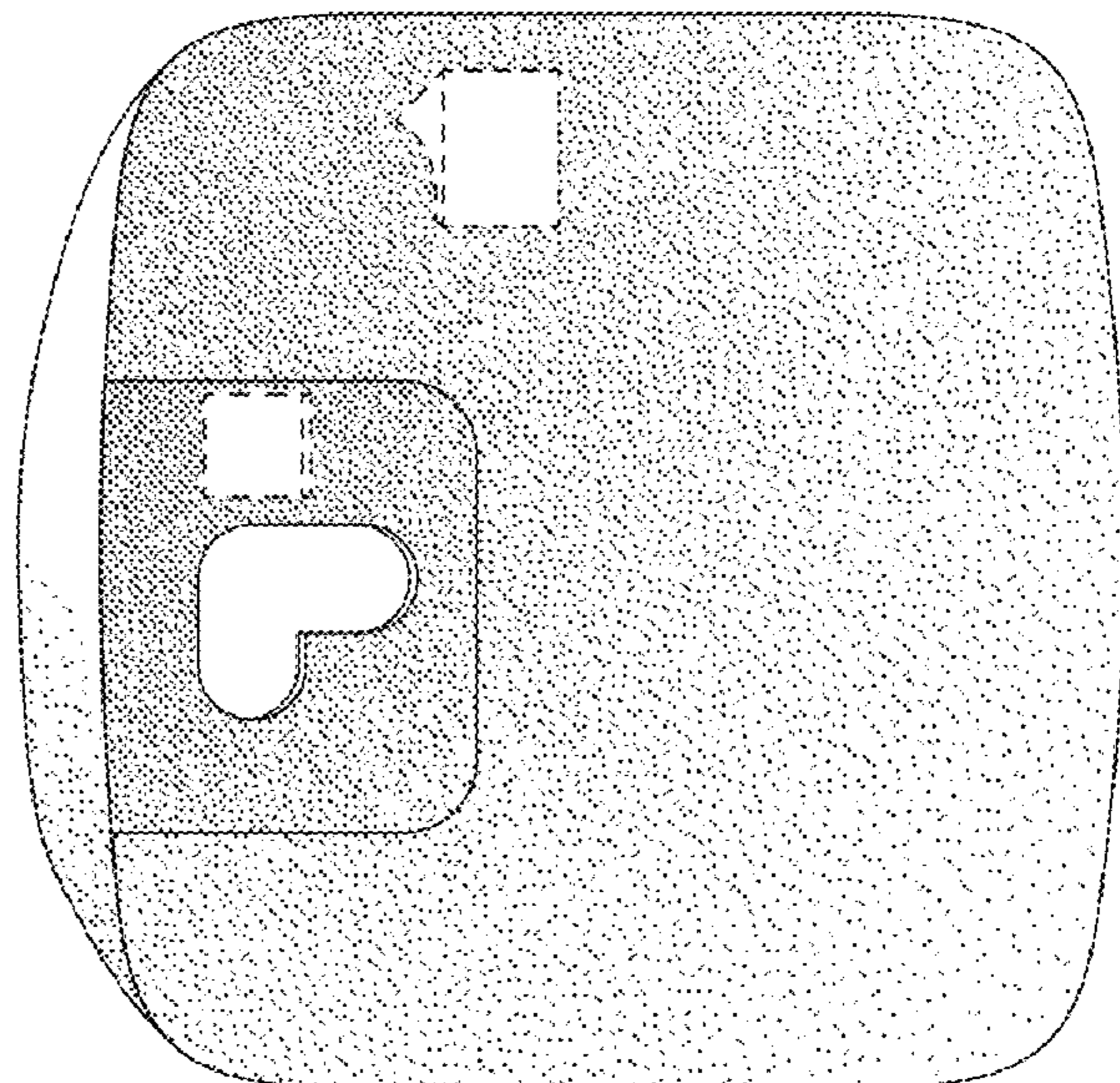
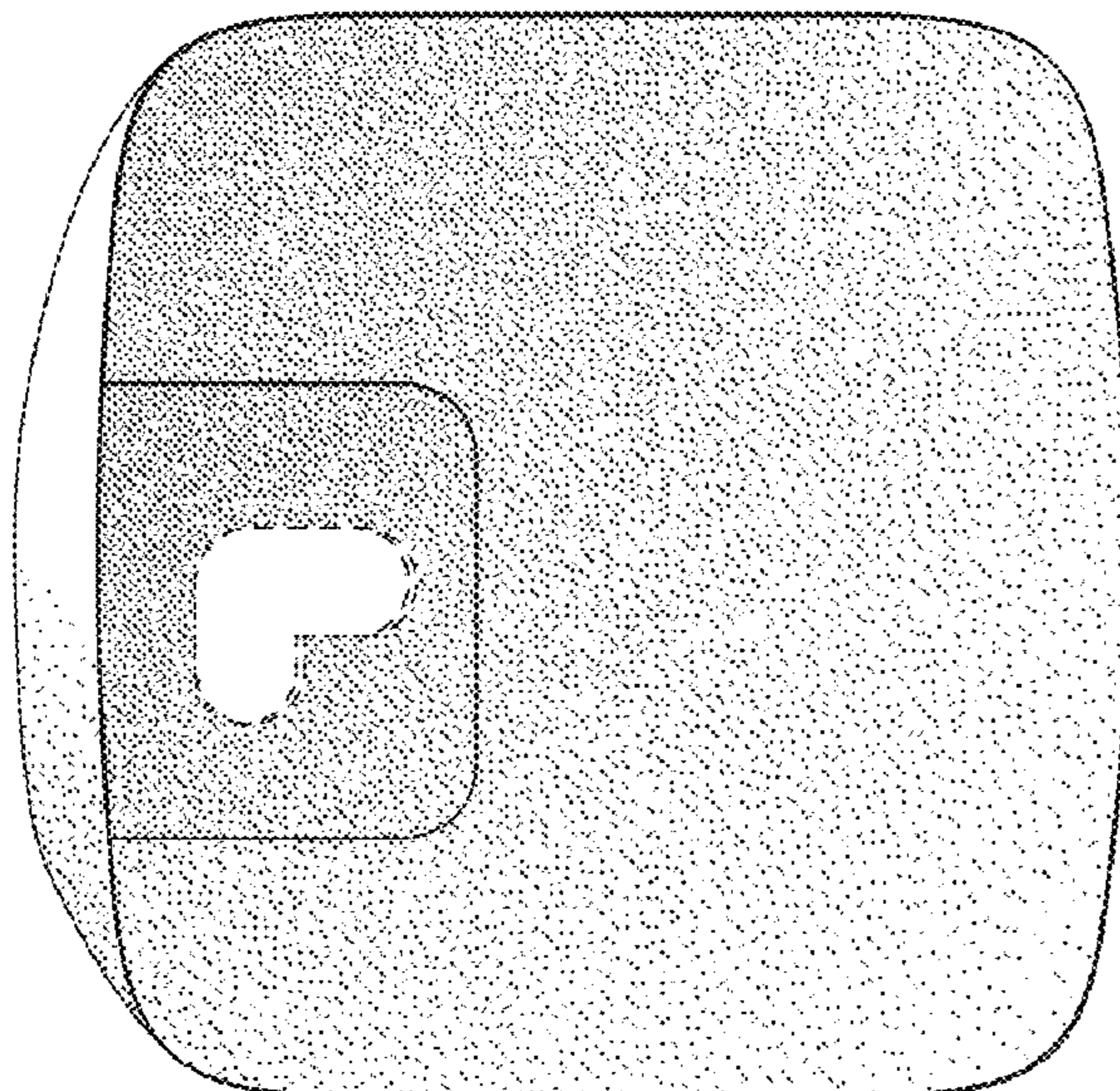
FIG. 14 is a right view thereof;

FIG. 15 is a top view thereof; and,

FIG. 16 is a bottom view thereof.

In the drawings, the broken lines show portions of a camera lens attachment that form no part of the claimed design.

**1 Claim, 8 Drawing Sheets**



(58) **Field of Classification Search**  
 CPC . G02B 7/00; G02B 7/02; G03B 17/56; G03B  
 17/561-566  
 See application file for complete search history.

(56) **References Cited**

U.S. PATENT DOCUMENTS

D268,930 S \* 5/1983 Frahn ..... D14/128  
 4,569,572 A \* 2/1986 Kopich ..... G06F 1/1603  
 348/832  
 4,757,425 A \* 7/1988 Waltz ..... G03B 15/06  
 362/450  
 D312,471 S \* 11/1990 Couch ..... D16/237  
 5,950,017 A \* 9/1999 Reff ..... G03B 17/12  
 396/419  
 D417,681 S 12/1999 Hayashi  
 D447,760 S \* 9/2001 Lantz ..... D16/237  
 D495,822 S \* 9/2004 Yoneda ..... D26/124  
 D515,611 S 2/2006 Sato  
 D605,217 S \* 12/2009 Kobre ..... D16/237  
 D624,950 S \* 10/2010 Hall, Jr. .... D16/237  
 D696,335 S \* 12/2013 Li ..... D16/237  
 D699,278 S \* 2/2014 Isozaki ..... D16/219  
 D775,257 S \* 12/2016 Holbrook ..... D16/219  
 D795,943 S 8/2017 Mitchell  
 D810,178 S \* 2/2018 Miyamoto ..... D16/237  
 D817,382 S 5/2018 Roth et al.  
 D821,482 S \* 6/2018 Bacon ..... D16/237  
 D852,870 S 7/2019 Medlen  
 D855,100 S 7/2019 Southwood

D857,784 S \* 8/2019 Gustavsson ..... D16/237  
 D859,497 S \* 9/2019 Turgel ..... D16/208  
 D859,500 S 9/2019 Moncino et al.  
 D876,517 S 2/2020 Miyamoto et al.  
 D885,466 S 5/2020 Vozzi et al.  
 D887,474 S 6/2020 Yeh et al.  
 D902,285 S 11/2020 Persson et al.  
 D910,737 S 2/2021 Lennerstedt et al.  
 D936,129 S 11/2021 Pinna et al.  
 D950,632 S \* 5/2022 Miyamoto ..... D16/237  
 2013/0051784 A1 2/2013 Chang  
 2019/0281210 A1\* 9/2019 Miyamoto ..... H04N 23/55

FOREIGN PATENT DOCUMENTS

GB 8208021000-3000 \* 4/2020  
 GB 8208021000-4000 \* 4/2020  
 WO D202947-001 \* 9/2019  
 WO D202947-003 \* 9/2019

OTHER PUBLICATIONS

Revo Smartphone Lens Hood . . . [online]. No post date. [Retrieved from the Internet Aug. 24, 2023.] <URL: [https://www.bhphotovideo.com/c/product/1667293-REG/revo\\_cph\\_rubber\\_hood\\_for\\_smartphones.html](https://www.bhphotovideo.com/c/product/1667293-REG/revo_cph_rubber_hood_for_smartphones.html) >.\*  
 U.S. Appl. No. 29/695,446, filed Jun. 19, 2019, Kukizo Miyamoto et al.  
 All Office Actions, U.S. Appl. No. 29/695,446, filed on Jun. 19, 2019.

\* cited by examiner

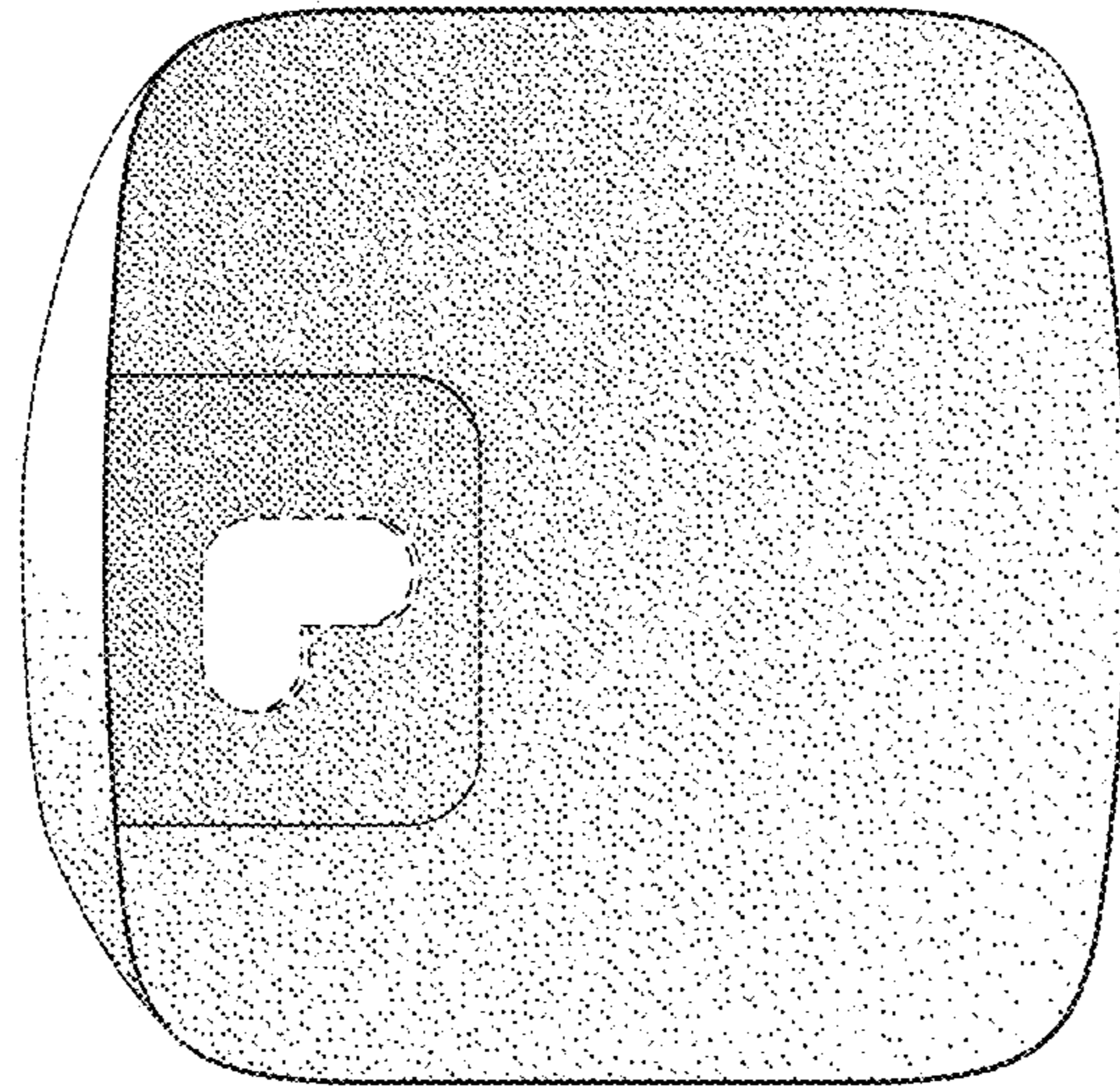


FIG. 1

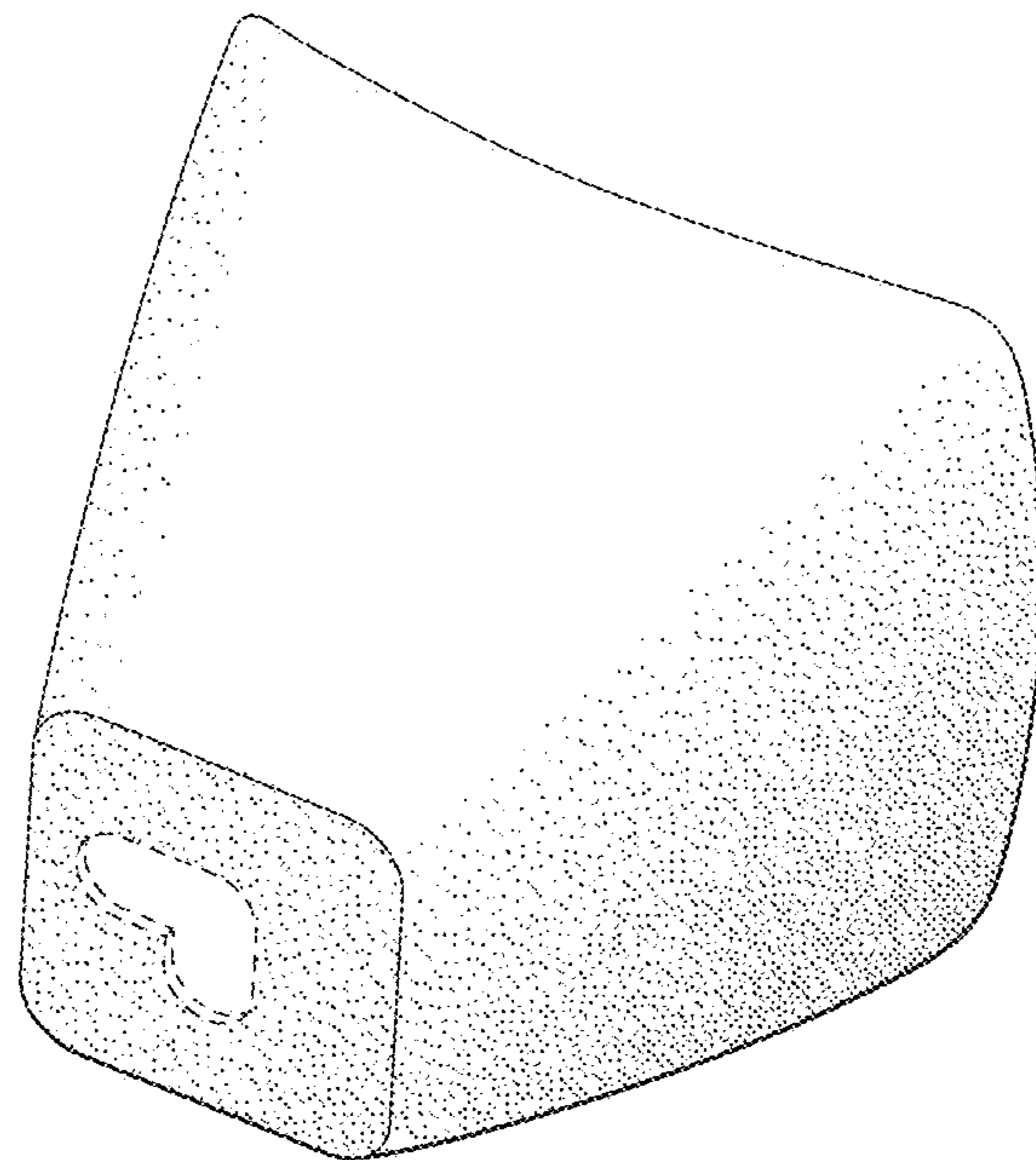


FIG. 2

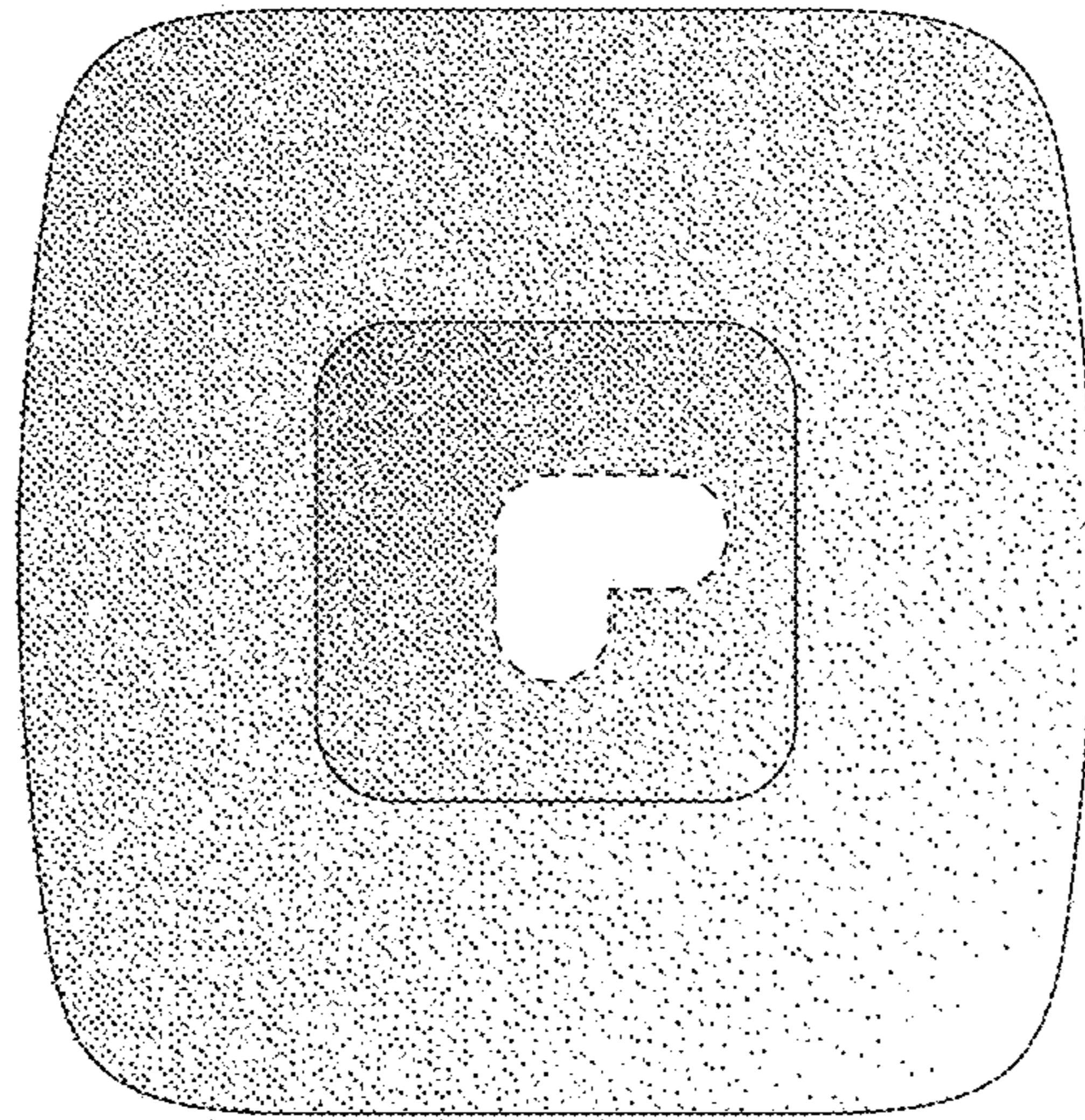


FIG. 3

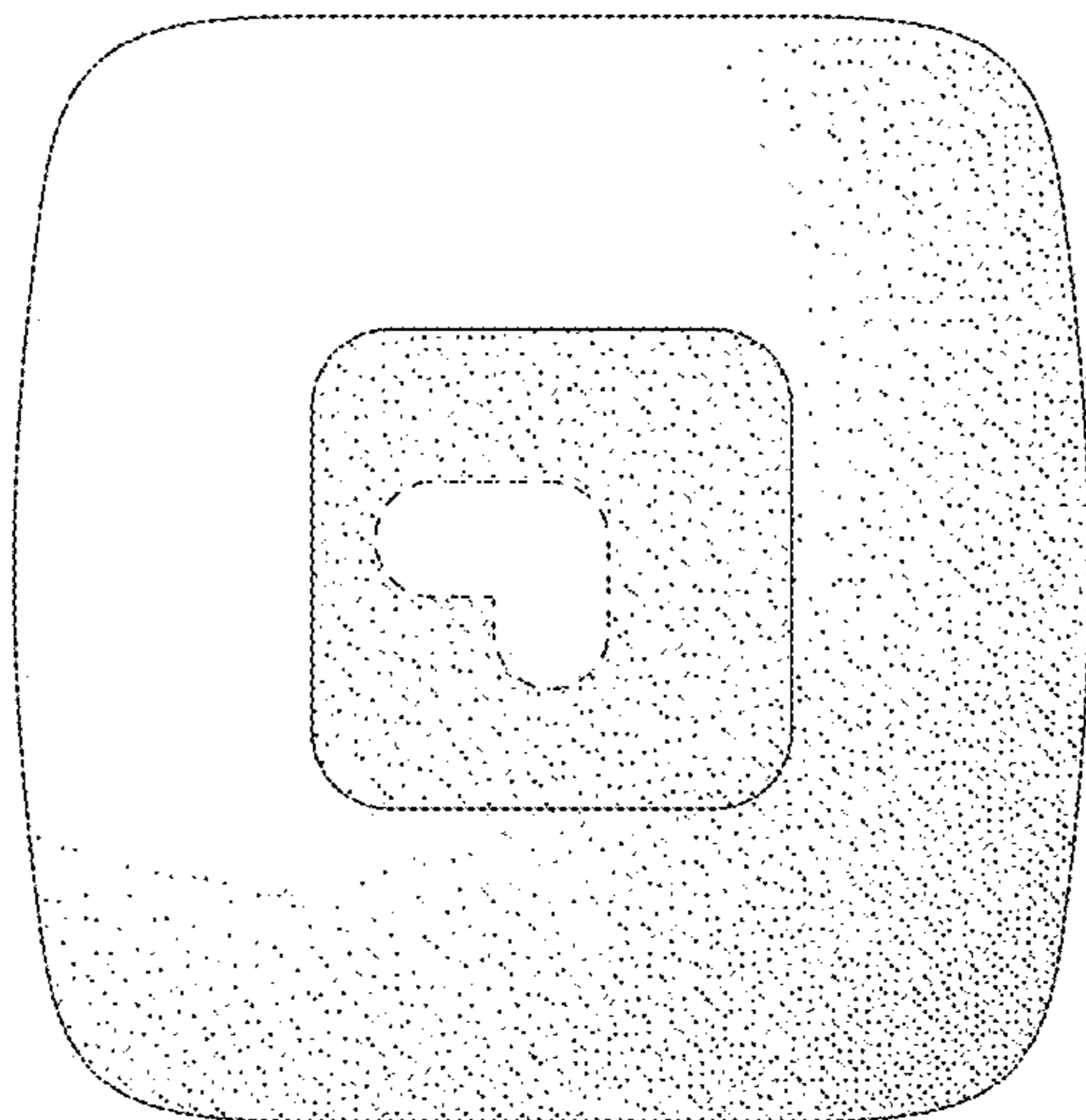


FIG. 4

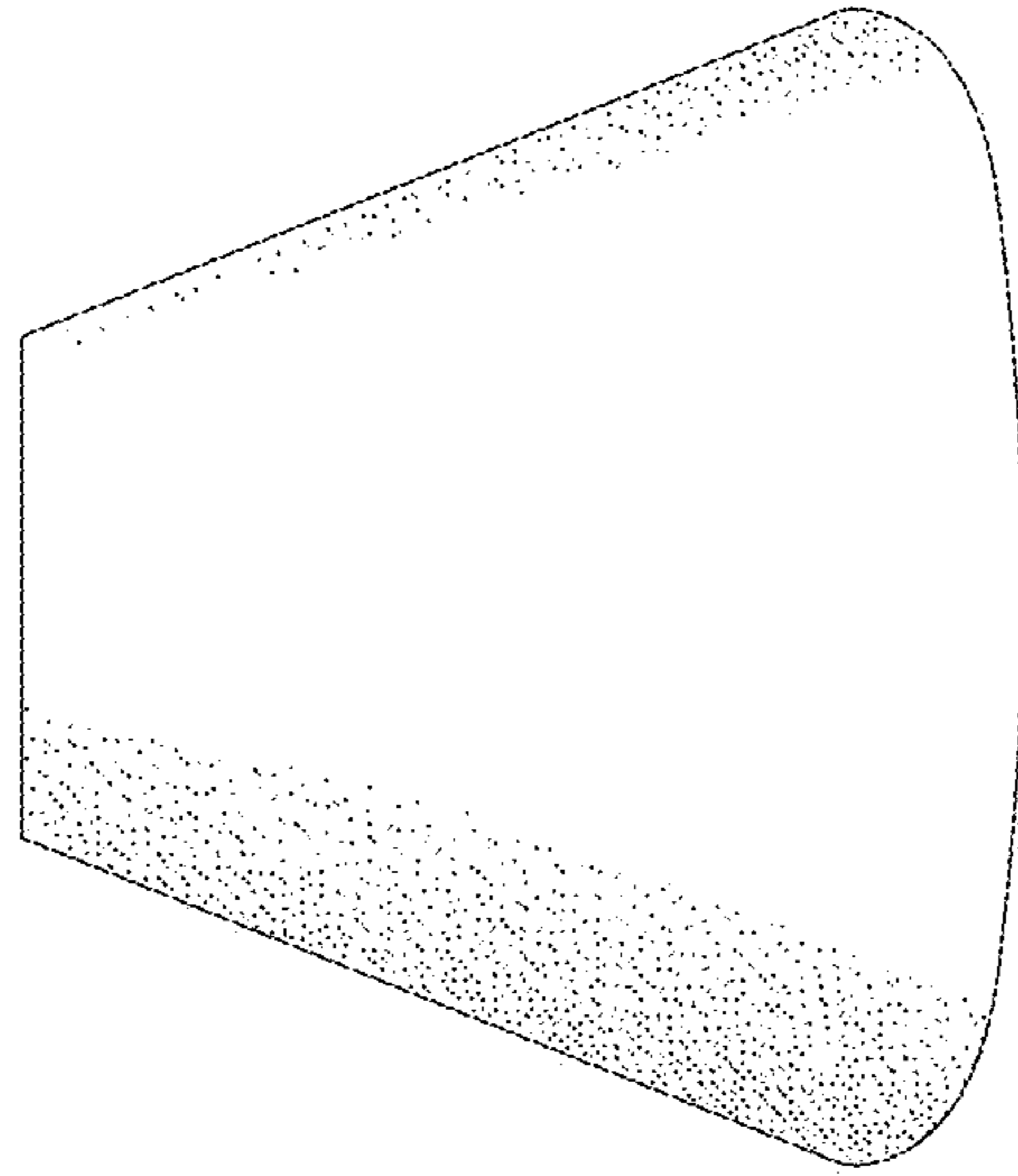


FIG. 5

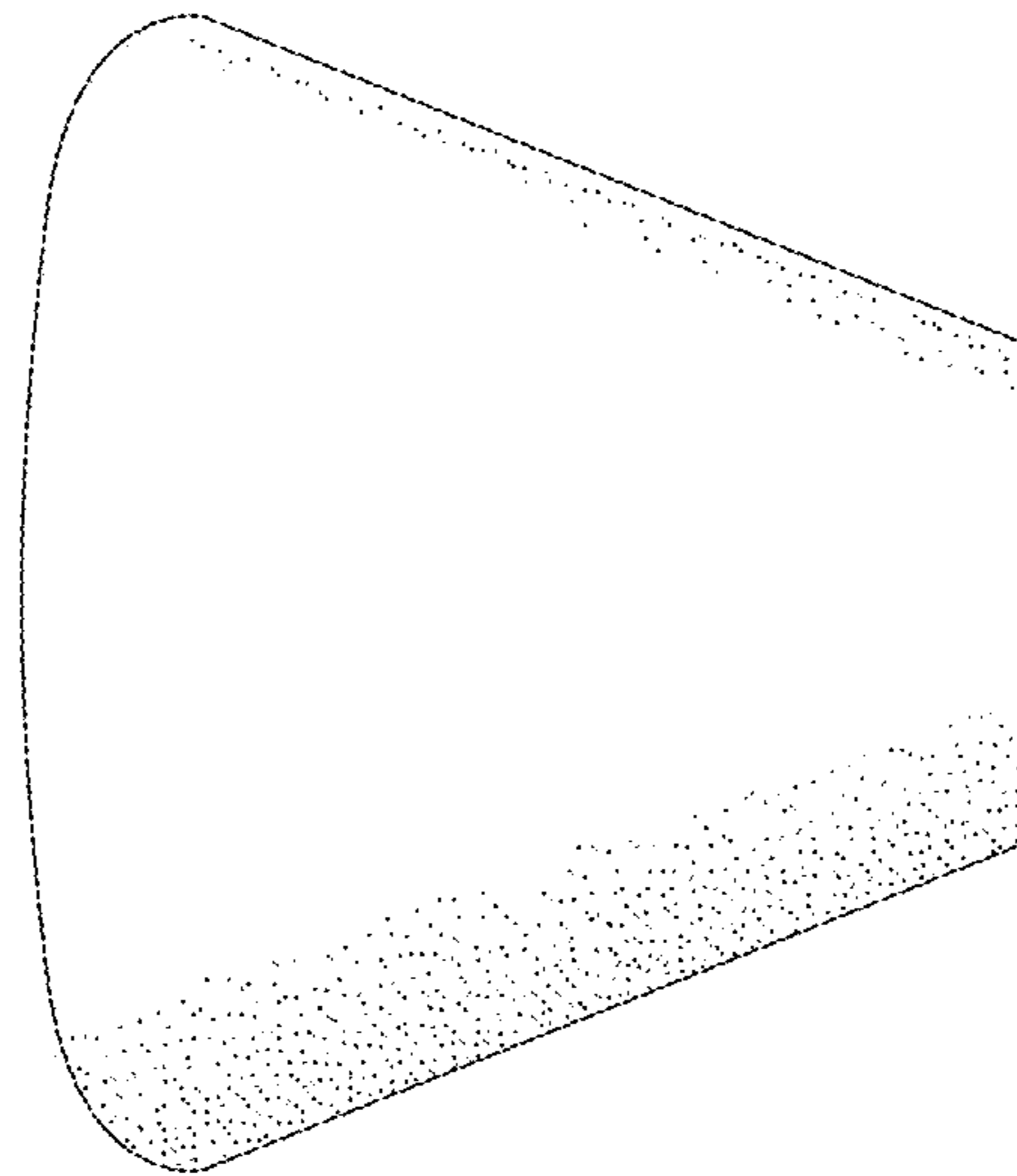


FIG. 6

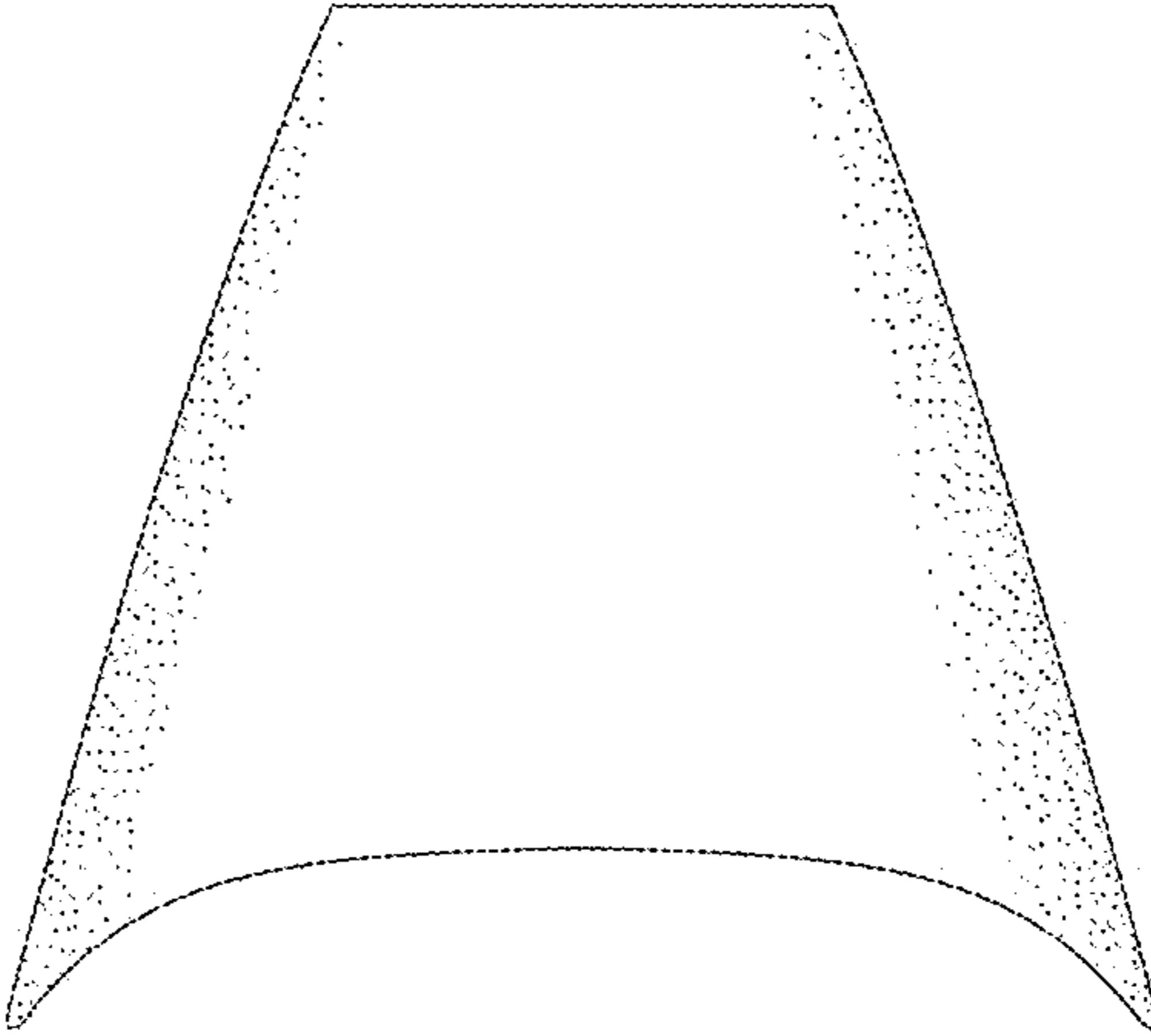


FIG. 7

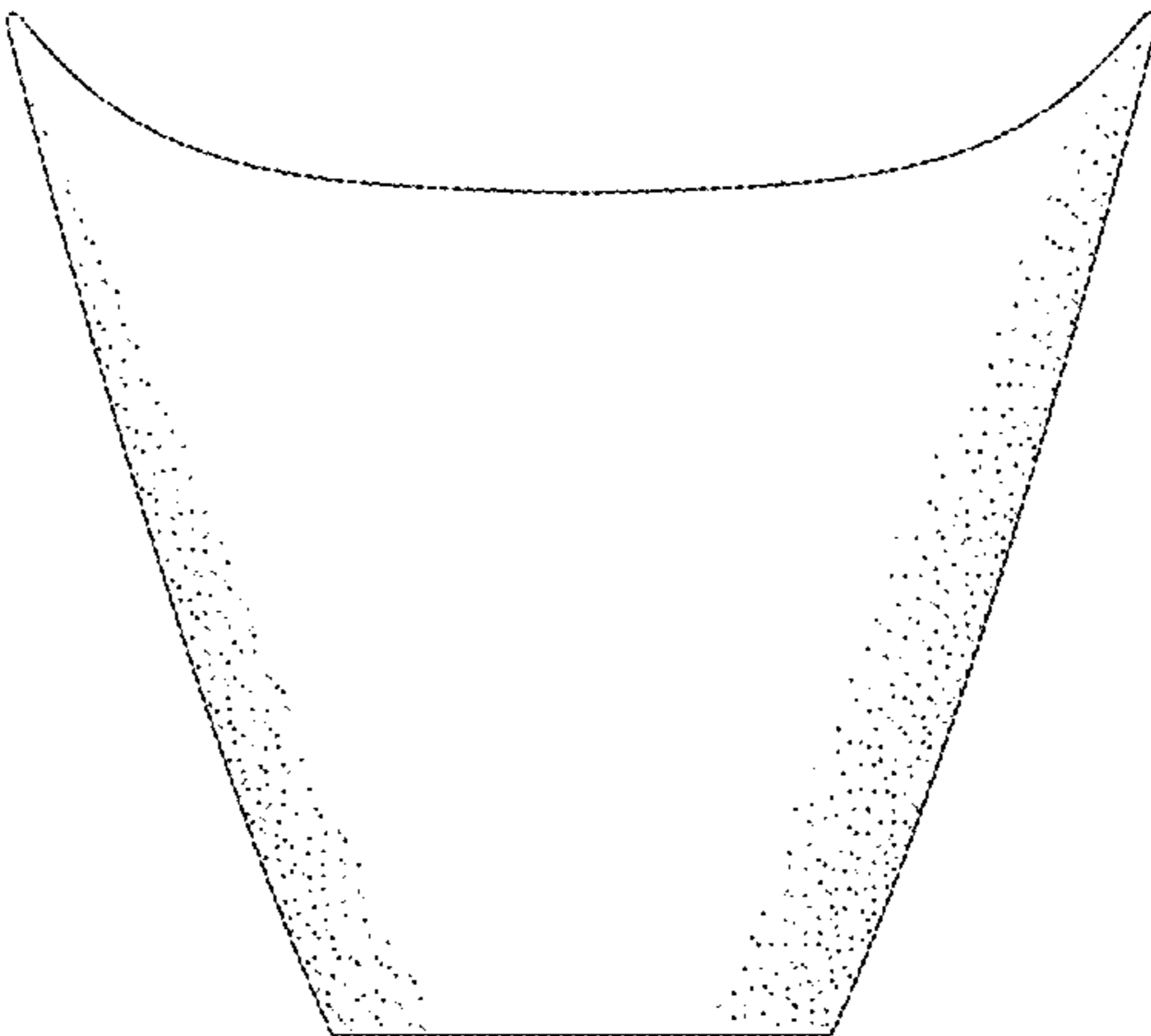


FIG. 8

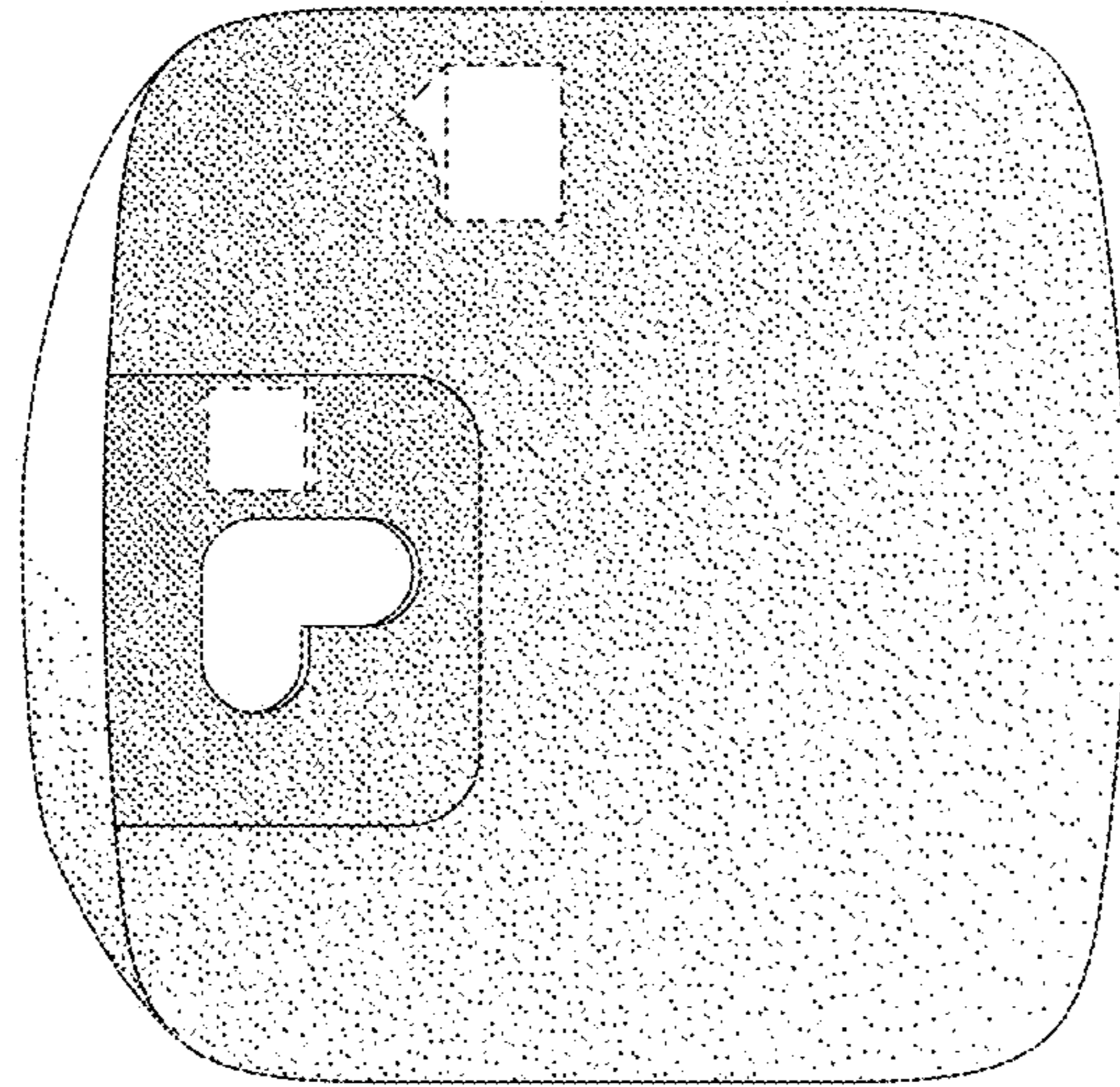


FIG. 9

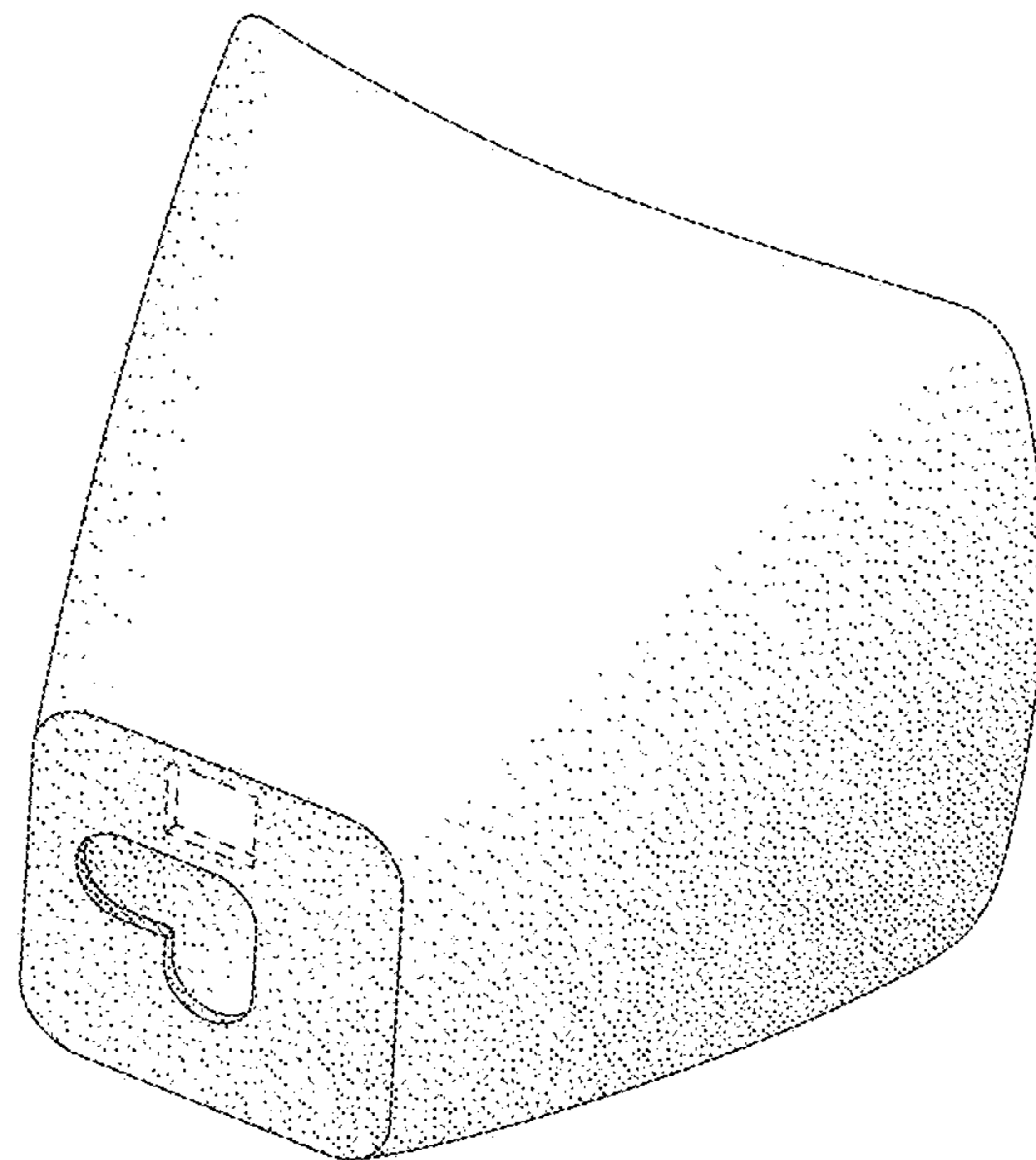


FIG. 10

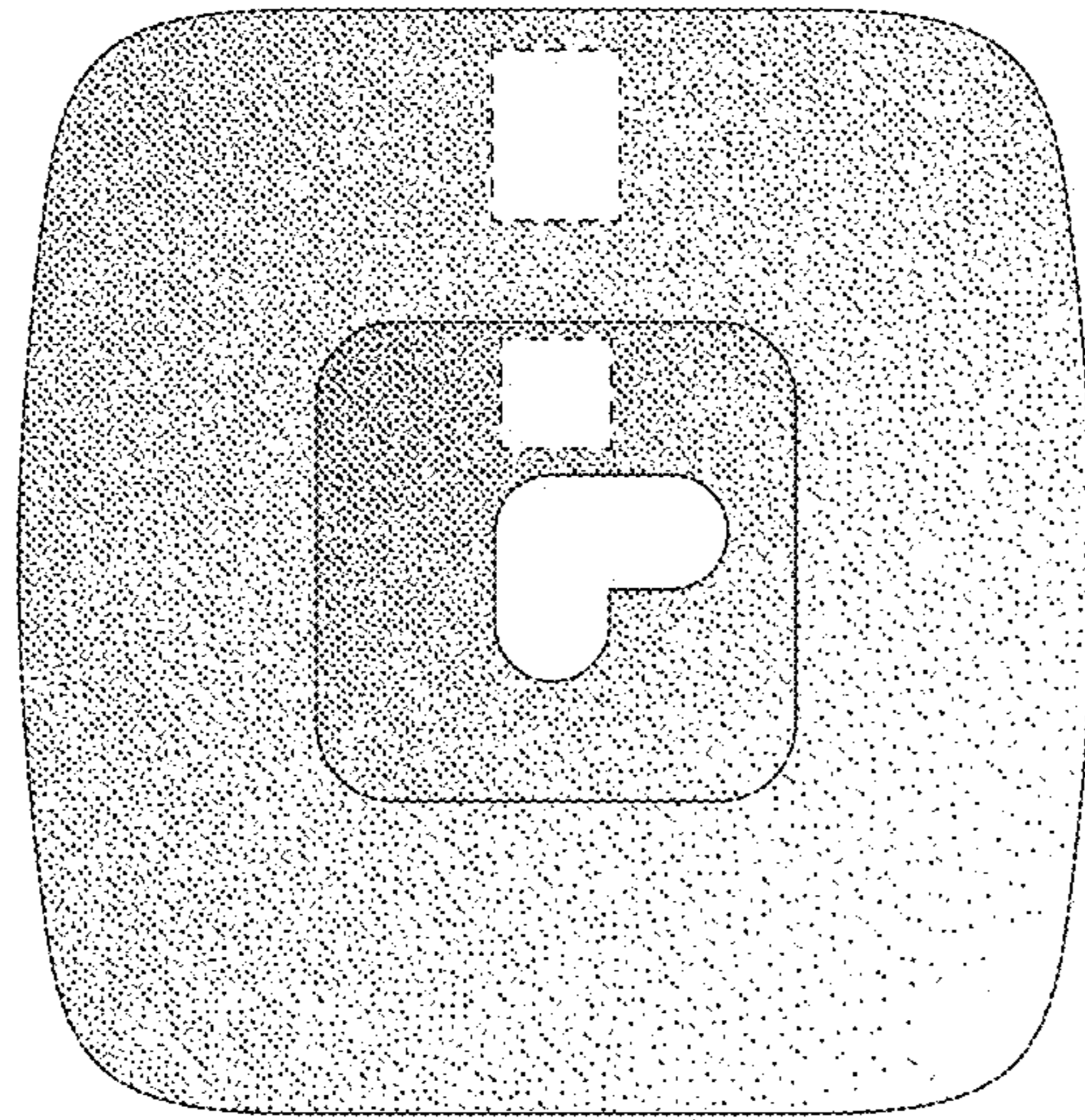


FIG. 11

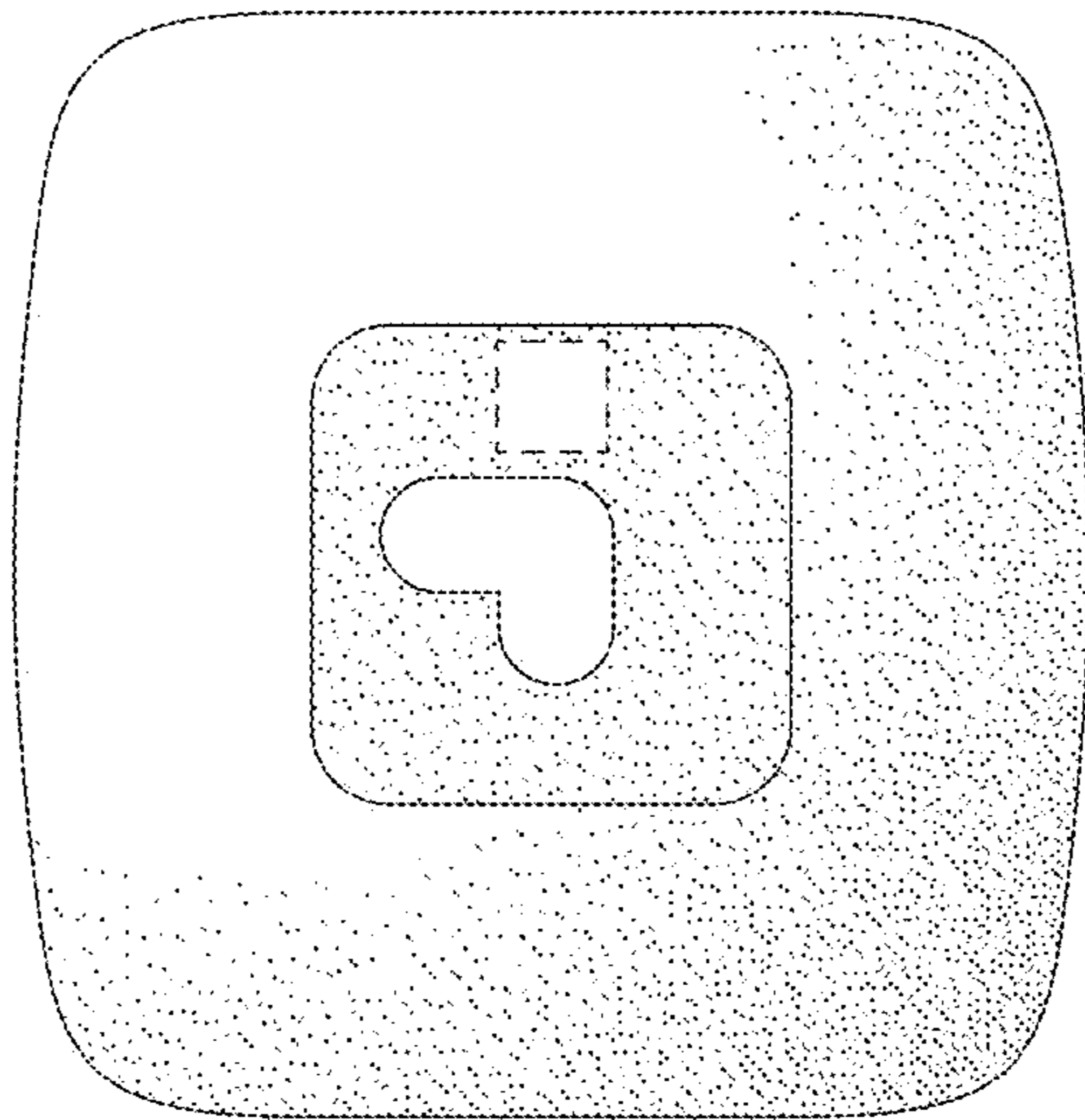


FIG. 12



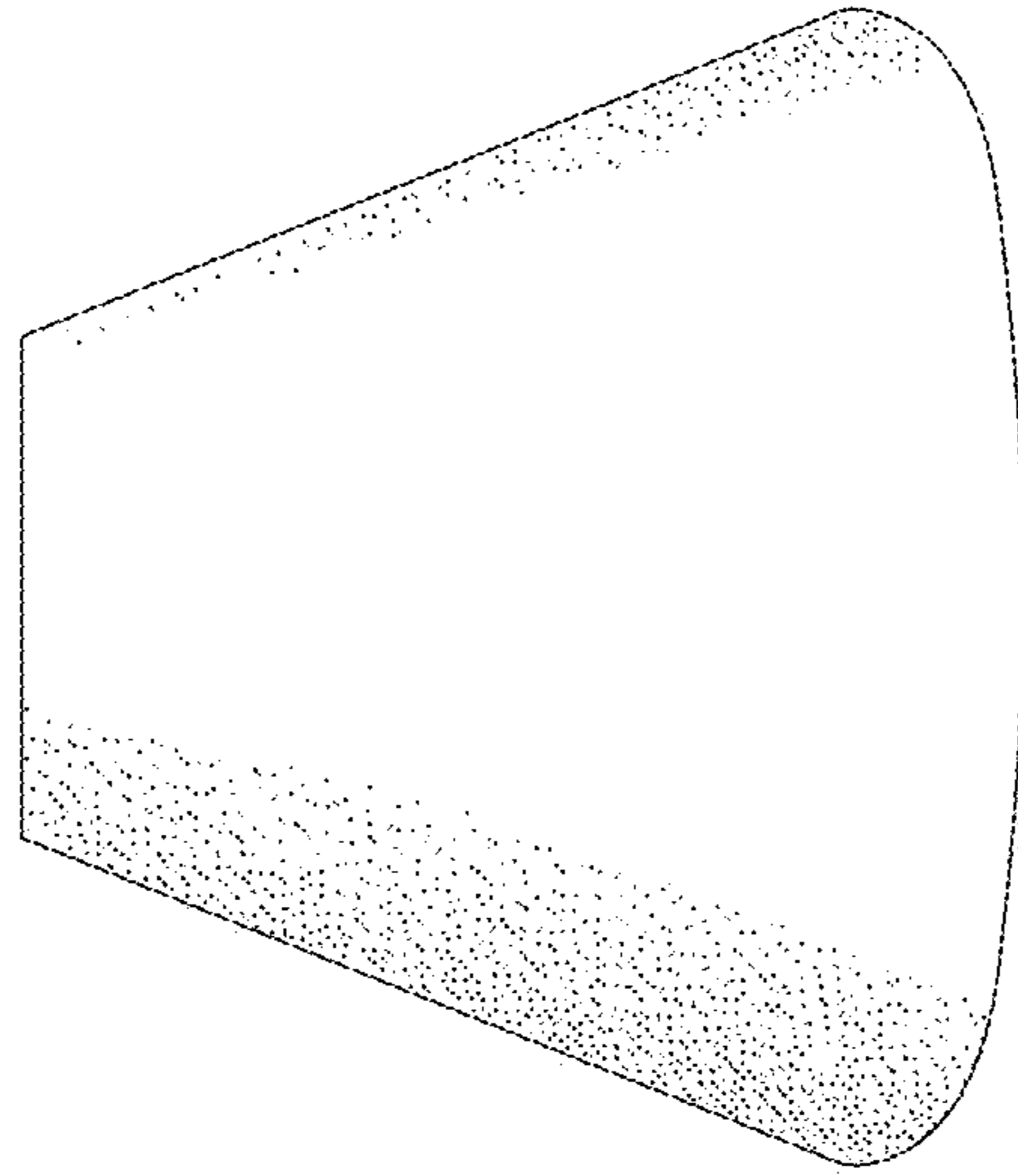


FIG. 13

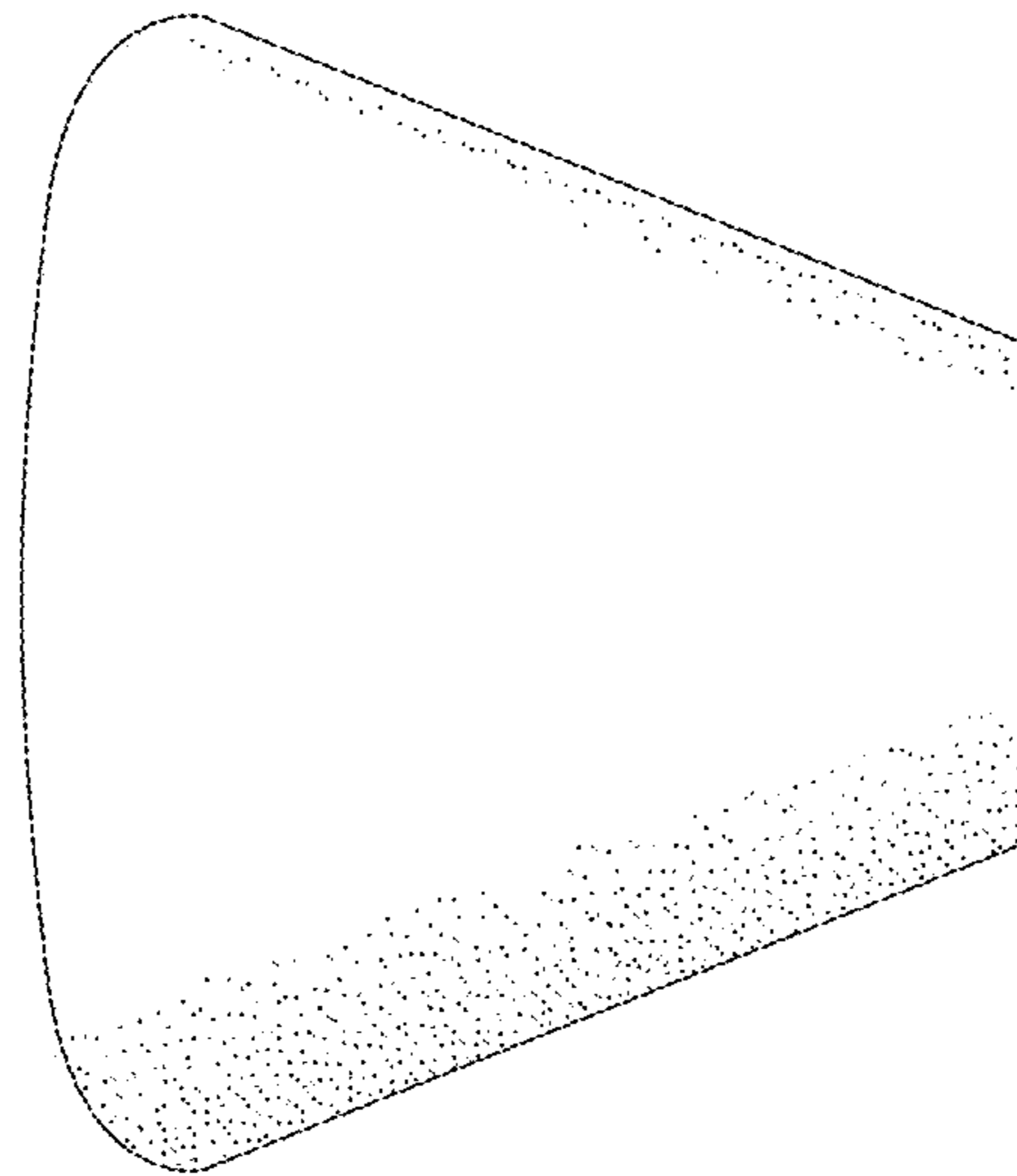


FIG. 14

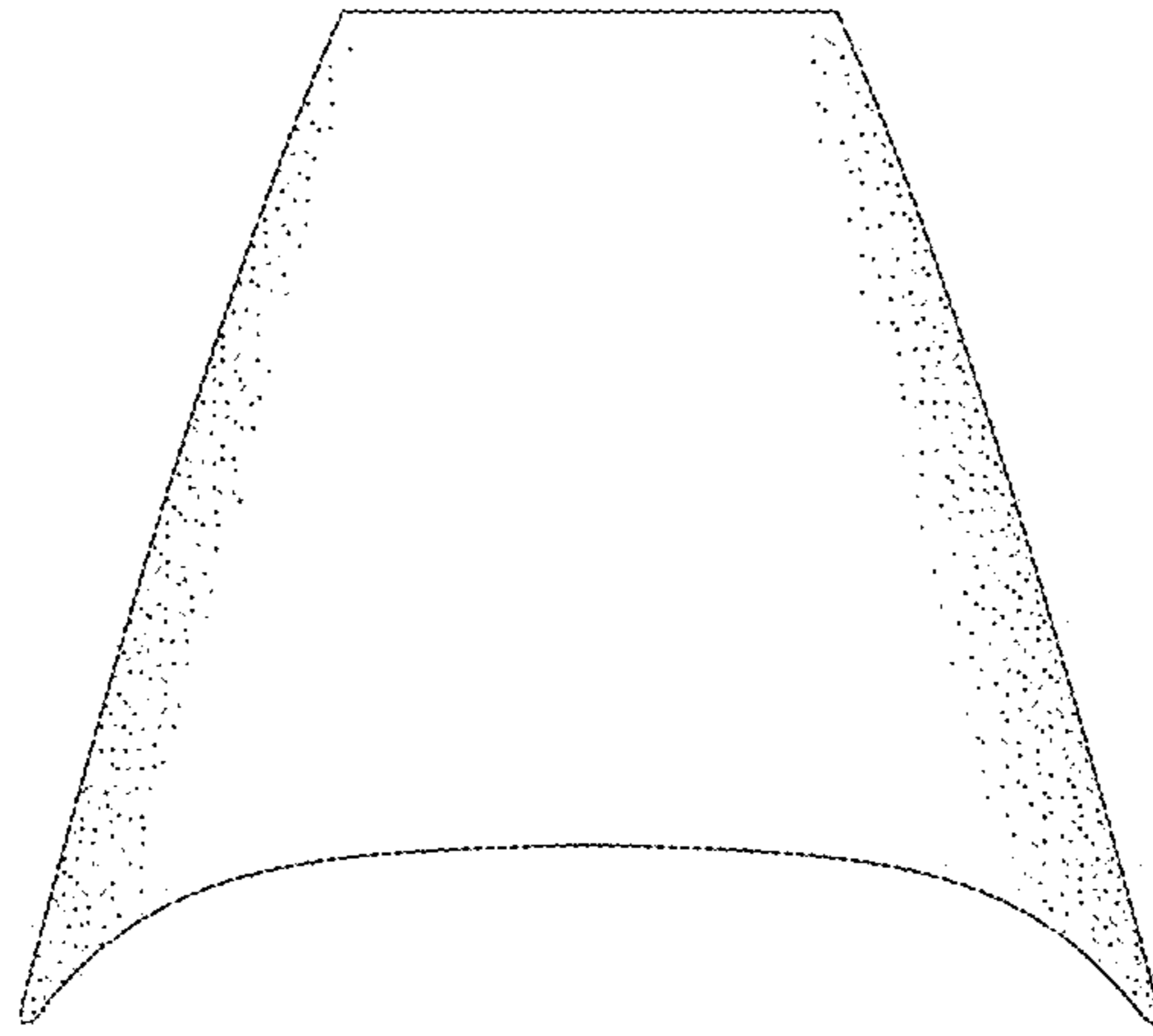


FIG. 15

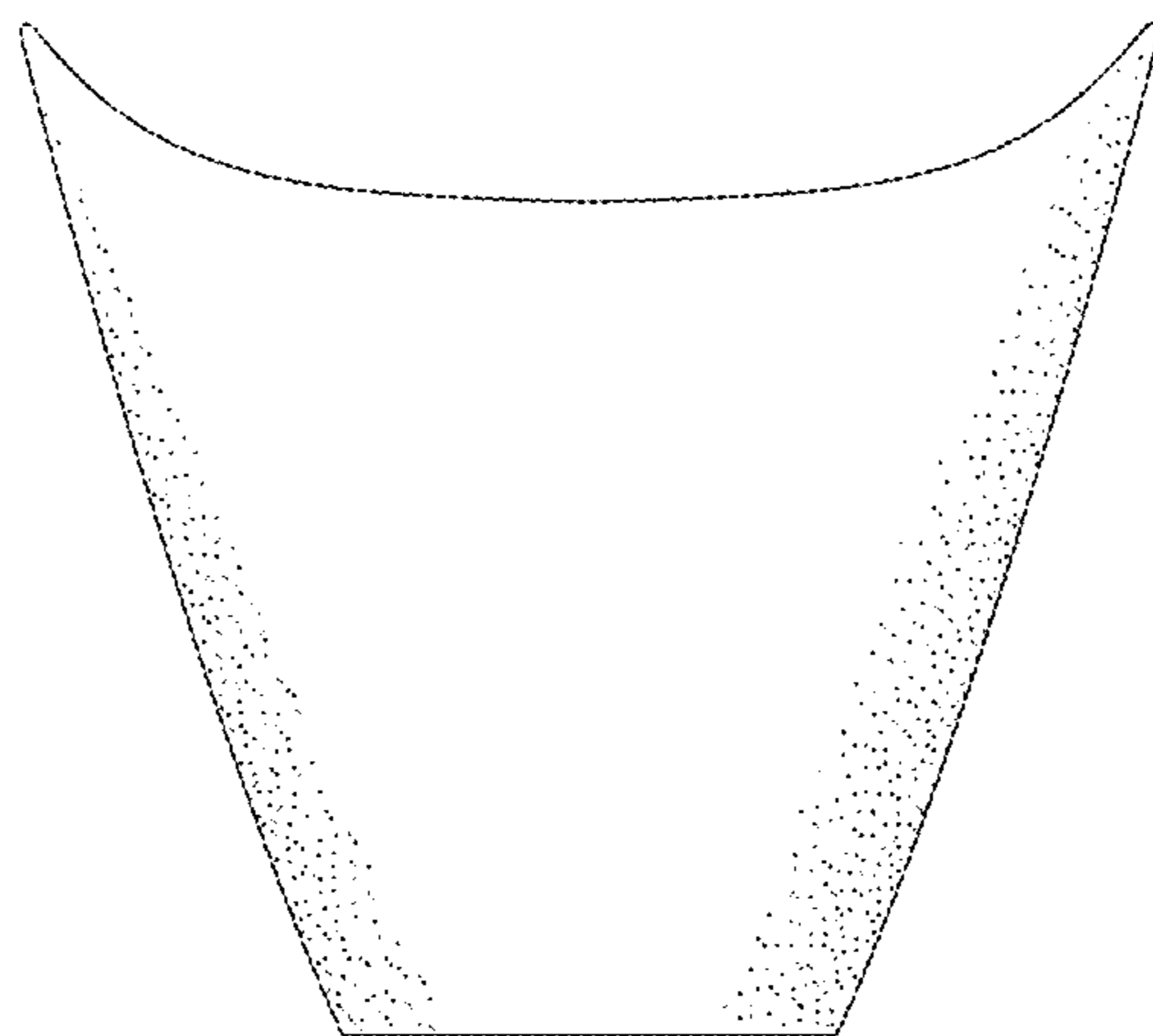


FIG. 16