



US0D1026705S

(12) **United States Design Patent** (10) **Patent No.:** **US D1,026,705 S**  
**Reimann et al.** (45) **Date of Patent:** **\*\* May 14, 2024**

(54) **MECHANICAL CONNECTOR FOR BAND**  
(71) Applicant: **Google LLC**, Mountain View, CA (US)  
(72) Inventors: **Gina Reimann**, Los Gatos, CA (US);  
**Maj Isabelle Olsson**, Sunnyvale, CA (US); **Peter Michael Cazalet**, Los Gatos, CA (US); **Christoph Gredler**, Mountain View, CA (US)  
(73) Assignee: **GOOGLE LLC**, Mountain View, CA (US)

D748,008 S 1/2016 Akana et al.  
D748,009 S 1/2016 Akana et al.  
D748,010 S 1/2016 Akana et al.  
(Continued)

**FOREIGN PATENT DOCUMENTS**

EM 008721104-0011 \* 6/2022  
EP 3070546 B1 10/2017  
EP 4020202000-0001 11/2020

**OTHER PUBLICATIONS**

Google Pixel Watch, Date Available Oct. 6, 2022, Facebook, Site Visited on Dec. 11, 2023: <https://www.facebook.com/Google/photos/pb.100044143314112.-2207520000/10160226574372838/?type=3> (Year: 2022).\*

(Continued)

*Primary Examiner* — Gino Colan  
*Assistant Examiner* — Nicole M. Leech  
(74) *Attorney, Agent, or Firm* — LEASON ELLIS LLP

(\*\*) **Term:** **15 Years**  
(21) **Appl. No.:** **29/841,925**  
(22) **Filed:** **Jun. 9, 2022**

**Related U.S. Application Data**

(63) Continuation of application No. 29/810,358, filed on Oct. 4, 2021.

(51) **LOC (14) Cl.** ..... **11-01**

(52) **U.S. Cl.**  
USPC ..... **D11/1; D11/94**

(58) **Field of Classification Search**  
USPC ..... D11/1-3, 5-6, 12-13, 15, 19, 86-87, D11/93-94; D14/344; D10/30-32, 38; D2/627, 635-638  
CPC ..... A44C 13/00; A44C 5/00; A44C 5/0007; A44C 5/0015; A44C 5/0053; A44C 5/0061; A44C 5/02; A44C 5/023; A44C 5/025; A44C 5/027; A44C 5/08; A44C 15/0015; G09F 3/005; G04B 37/0058; G04B 37/05; G04B 37/14; G04B 37/1486; G04B 37/16; G04B 37/18

See application file for complete search history.

(56) **References Cited**

**U.S. PATENT DOCUMENTS**

D305,743 S \* 1/1990 Hirsch ..... D11/94  
D727,787 S 4/2015 Akana et al.

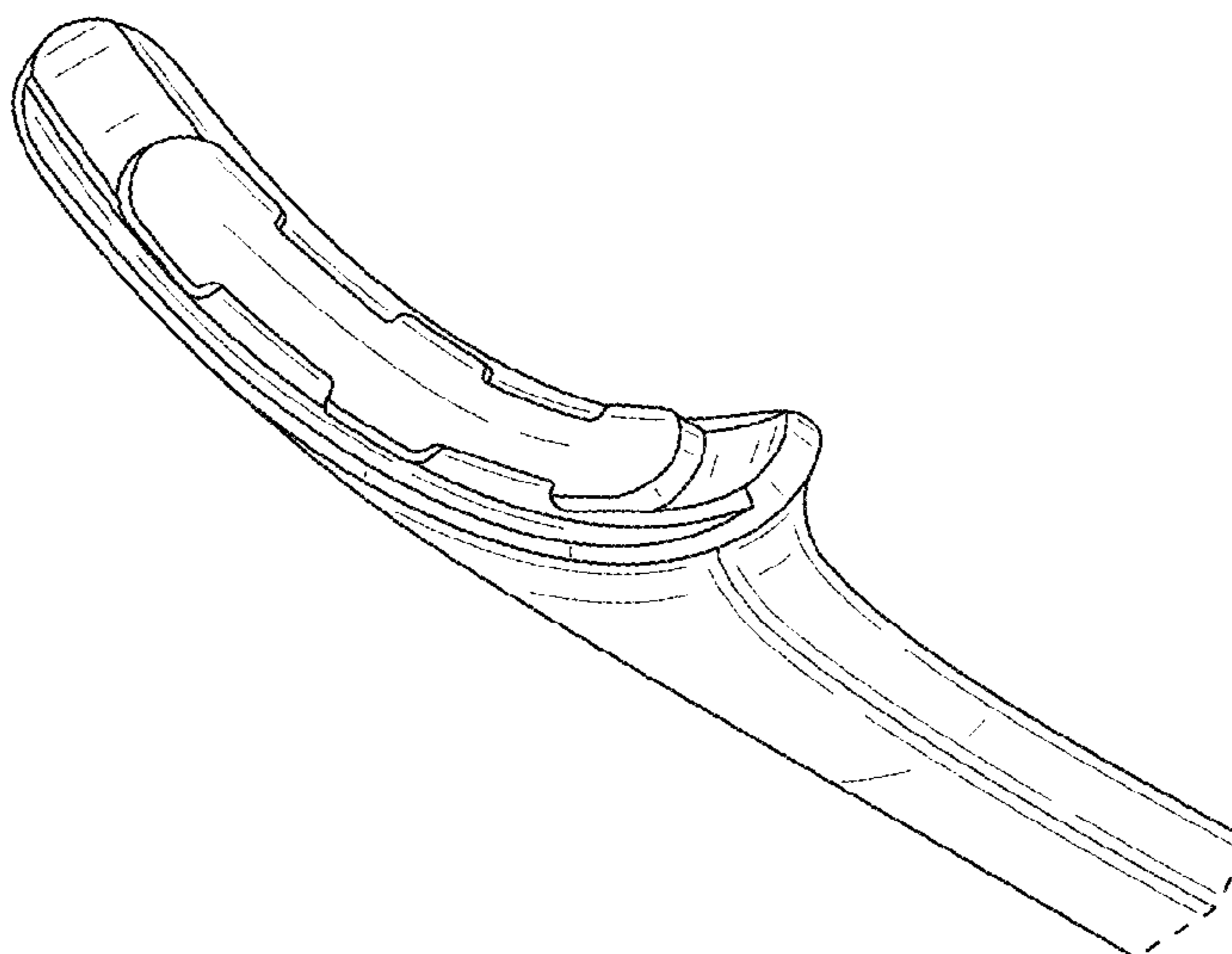
(57) **CLAIM**

The ornamental design for a mechanical connector for band, as shown and described.

**DESCRIPTION**

FIG. 1 is a front perspective view of a mechanical connector for band showing our new design; FIG. 2 is a rear perspective view thereof; FIG. 3 is a bottom view thereof; FIG. 4 is a top view thereof; FIG. 5 is a left side view thereof; FIG. 6 is a right side view thereof; FIG. 7 is a rear view thereof; and, FIG. 8 is a front view thereof. The broken lines in the drawings represent portions of the mechanical connector for band and form no part of the claimed design.

**1 Claim, 4 Drawing Sheets**



(56)

References Cited

U.S. PATENT DOCUMENTS

D748,527 S 2/2016 Akana et al.  
 D749,460 S 2/2016 Akana et al.  
 D761,688 S 7/2016 Akana et al.  
 D762,515 S 8/2016 Akana et al.  
 D763,123 S 8/2016 Akana et al.  
 D763,124 S 8/2016 Akana et al.  
 D763,125 S 8/2016 Akana et al.  
 D763,126 S 8/2016 Akana et al.  
 D763,127 S 8/2016 Akana et al.  
 D763,128 S 8/2016 Akana et al.  
 D763,724 S 8/2016 Akana et al.  
 D763,725 S 8/2016 Akana et al.  
 D763,726 S 8/2016 Akana et al.  
 D764,964 S 8/2016 Akana et al.  
 D764,965 S 8/2016 Akana et al.  
 D764,966 S 8/2016 Akana et al.  
 D764,967 S 8/2016 Akana et al.  
 D783,605 S \* 4/2017 Lin ..... D14/344  
 D786,127 S 5/2017 Akana et al.  
 D791,634 S \* 7/2017 Bang ..... D11/3  
 D796,991 S \* 9/2017 Hong ..... D11/94  
 D802,465 S 11/2017 Dukerschein et al.  
 D821,912 S 7/2018 Ke  
 D822,526 S \* 7/2018 Lean ..... D11/3  
 D830,887 S 10/2018 Akana et al.  
 D832,132 S \* 10/2018 Ansara ..... D11/86  
 D833,909 S 11/2018 Akana et al.  
 D834,439 S \* 11/2018 Monachon ..... D11/3  
 D834,445 S 11/2018 Akana et al.  
 D834,446 S 11/2018 Akana et al.  
 D837,087 S 1/2019 Akana et al.  
 D837,088 S 1/2019 Akana et al.  
 D837,089 S 1/2019 Akana et al.  
 D854,439 S 7/2019 Dukerschein et al.  
 D857,544 S 8/2019 Akana et al.  
 D857,545 S 8/2019 Akana et al.  
 D857,546 S 8/2019 Akana et al.  
 D862,277 S \* 10/2019 Ling ..... D11/3  
 D881,060 S 4/2020 Wang  
 D894,033 S 8/2020 Zhang  
 D894,034 S \* 8/2020 Xu ..... D11/87  
 10,765,019 B2 9/2020 Werner et al.  
 D909,225 S 2/2021 Riot et al.  
 D909,226 S 2/2021 Riot et al.

D909,227 S 2/2021 Riot et al.  
 D910,476 S 2/2021 Riot et al.  
 D913,141 S 3/2021 Li  
 D914,530 S 3/2021 Riot et al.  
 D919,619 S \* 5/2021 Kozlovskaya ..... D14/344  
 D920,832 S 6/2021 Xie  
 11,026,484 B2 6/2021 Perkins et al.  
 11,033,082 B1 \* 6/2021 Riot ..... A44C 5/0053  
 D926,615 S 8/2021 Li  
 D928,013 S 8/2021 Cao  
 D929,253 S 8/2021 Akana et al.  
 D929,884 S 9/2021 Yi  
 D931,131 S 9/2021 Liu  
 D931,132 S 9/2021 Liu  
 11,226,652 B2 1/2022 Liu  
 D943,448 S 2/2022 Huang  
 D944,109 S 2/2022 Li  
 11,241,068 B2 2/2022 Lui et al.  
 D951,125 S 5/2022 Xia  
 D951,796 S 5/2022 Cao  
 D1,006,668 S \* 12/2023 Hu ..... D11/94  
 2018/0020785 A1 \* 1/2018 Hundt ..... A44C 5/14  
 368/282  
 2019/0174882 A1 \* 6/2019 Cuenat ..... G04B 37/1486  
 2021/0048841 A1 \* 2/2021 Liu ..... G09G 5/10  
 2023/0019765 A1 \* 1/2023 Kim ..... A44C 5/14  
 2023/0119270 A1 \* 4/2023 Cazalet ..... A44C 5/147  
 368/282  
 2023/0305594 A1 \* 9/2023 Park ..... G04G 17/00  
 2023/0337789 A1 \* 10/2023 Zou ..... H04B 1/3888

OTHER PUBLICATIONS

Replacement for Google Pixel Watch, Date Available Nov. 10, 2022, Ebay, Site Visited on Dec. 11, 2023: <https://www.ebay.com/itm/295287513181> (Year: 2022).  
 “42mm 44m Silicone straps for apple and all type of smart watches”, QareebMart, Internet URL: <<https://qareebmart.pk/product/42mm-44m-silicone-straps-for-apple-and-all-type-of-smart-watches/>> (Retrieved: May 31, 2022).  
 Li, Abner, “Here’s somebody actually wearing the Pixel Watch and Google’s 20mm band [Gallery]”, Internet URL: <https://9to5google.com/2022/04/26/google-pixel-watch-band/> (Published: Apr. 26, 2022).

\* cited by examiner

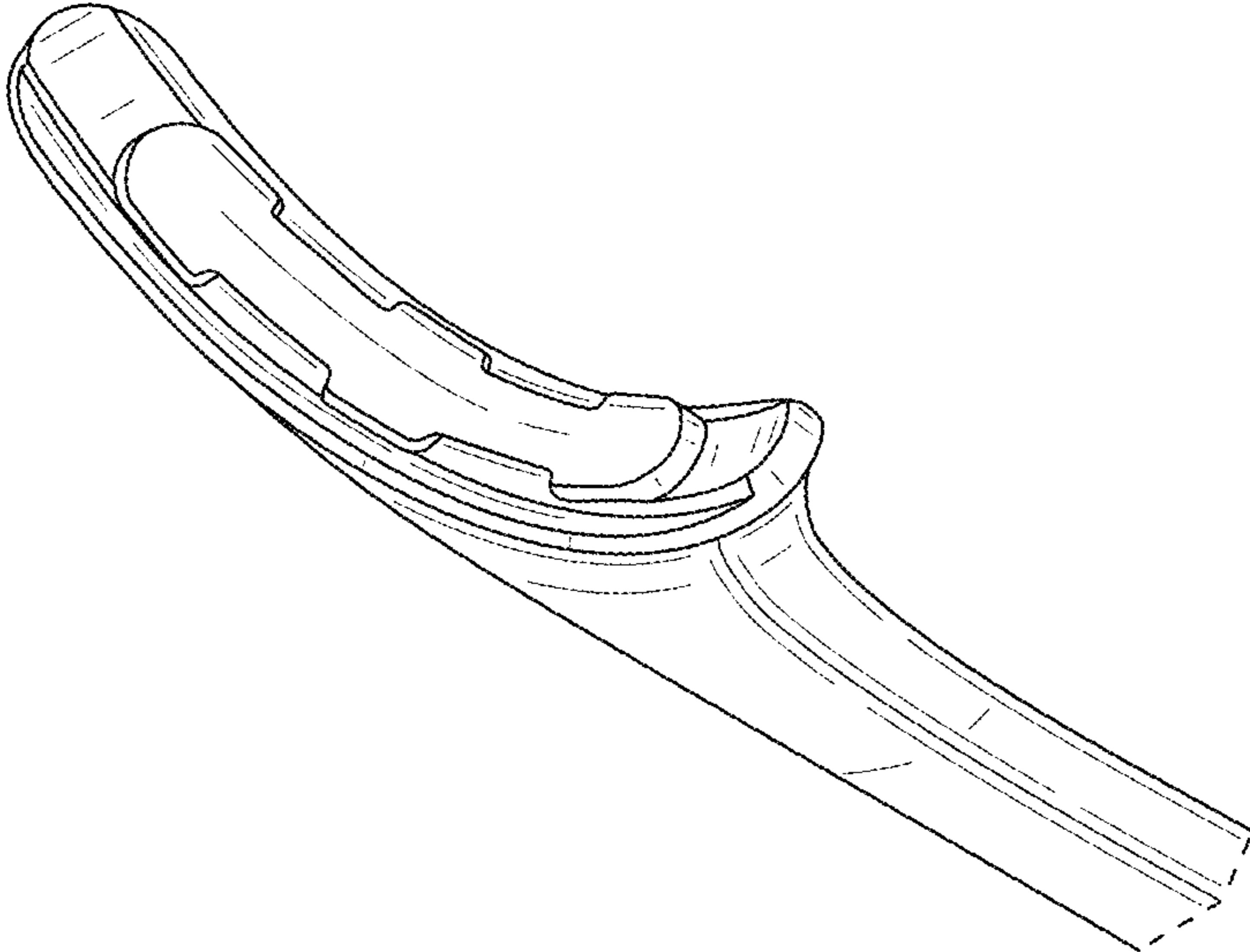


FIG. 1

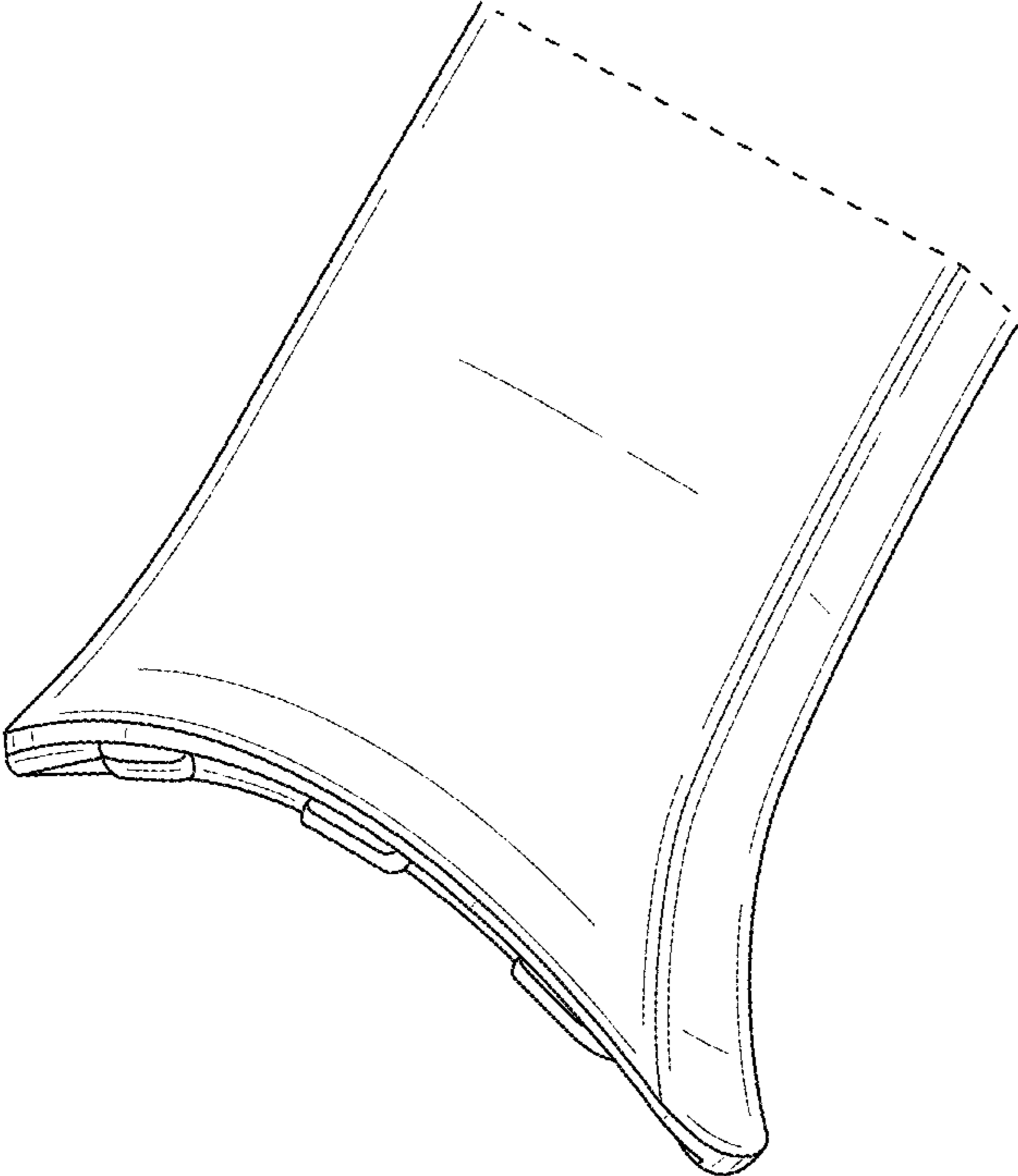


FIG. 2

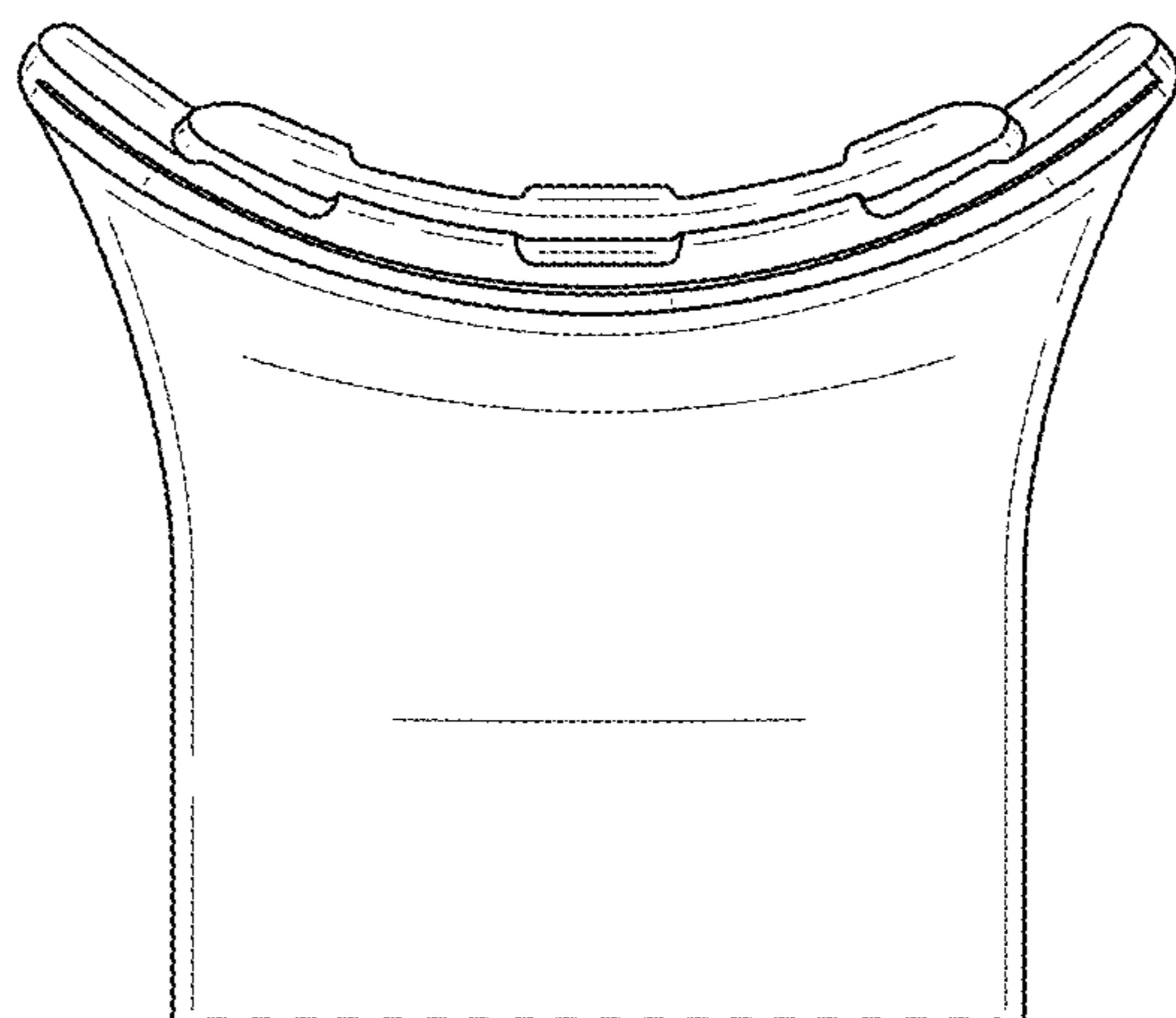


FIG. 3

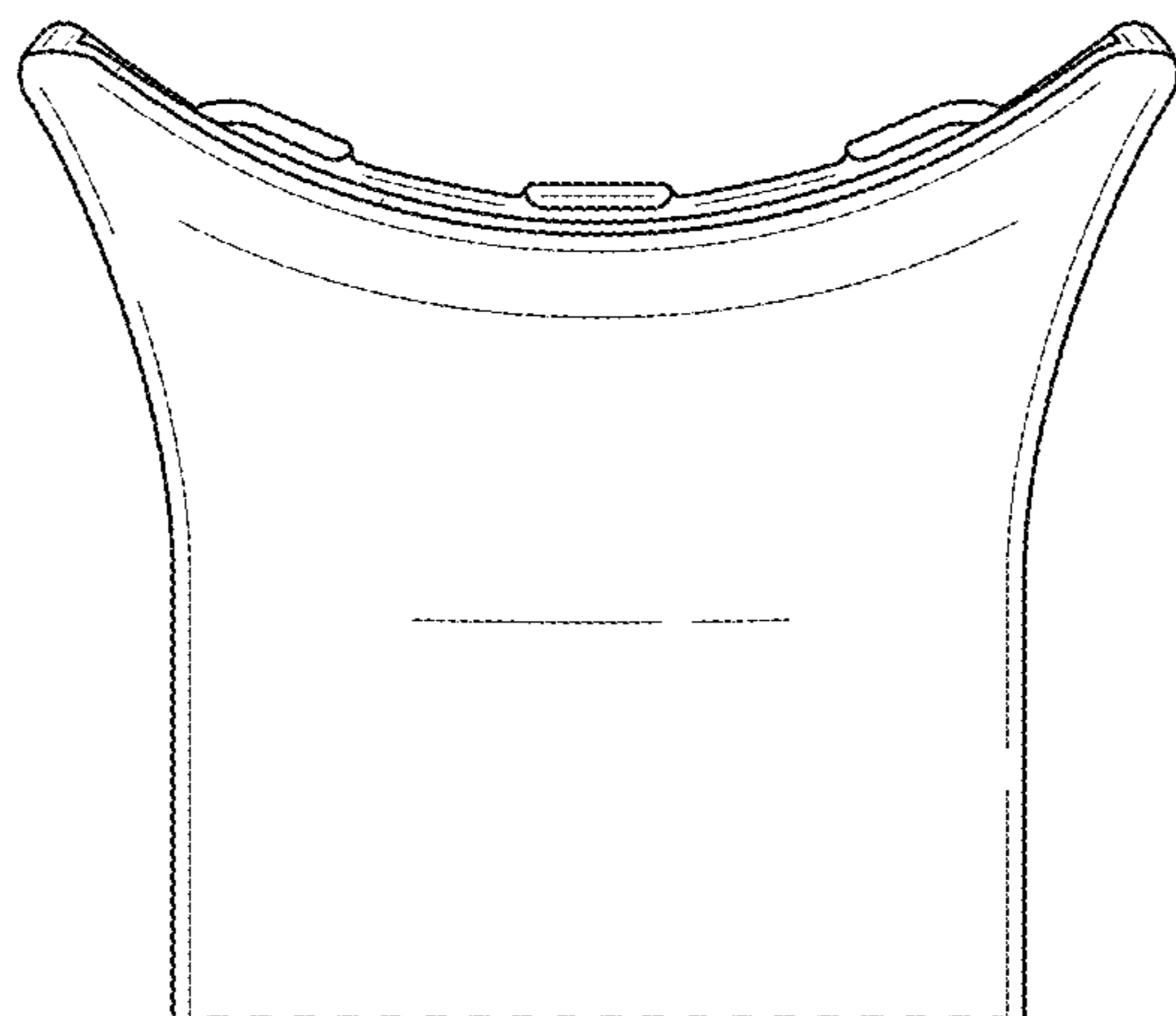


FIG. 4

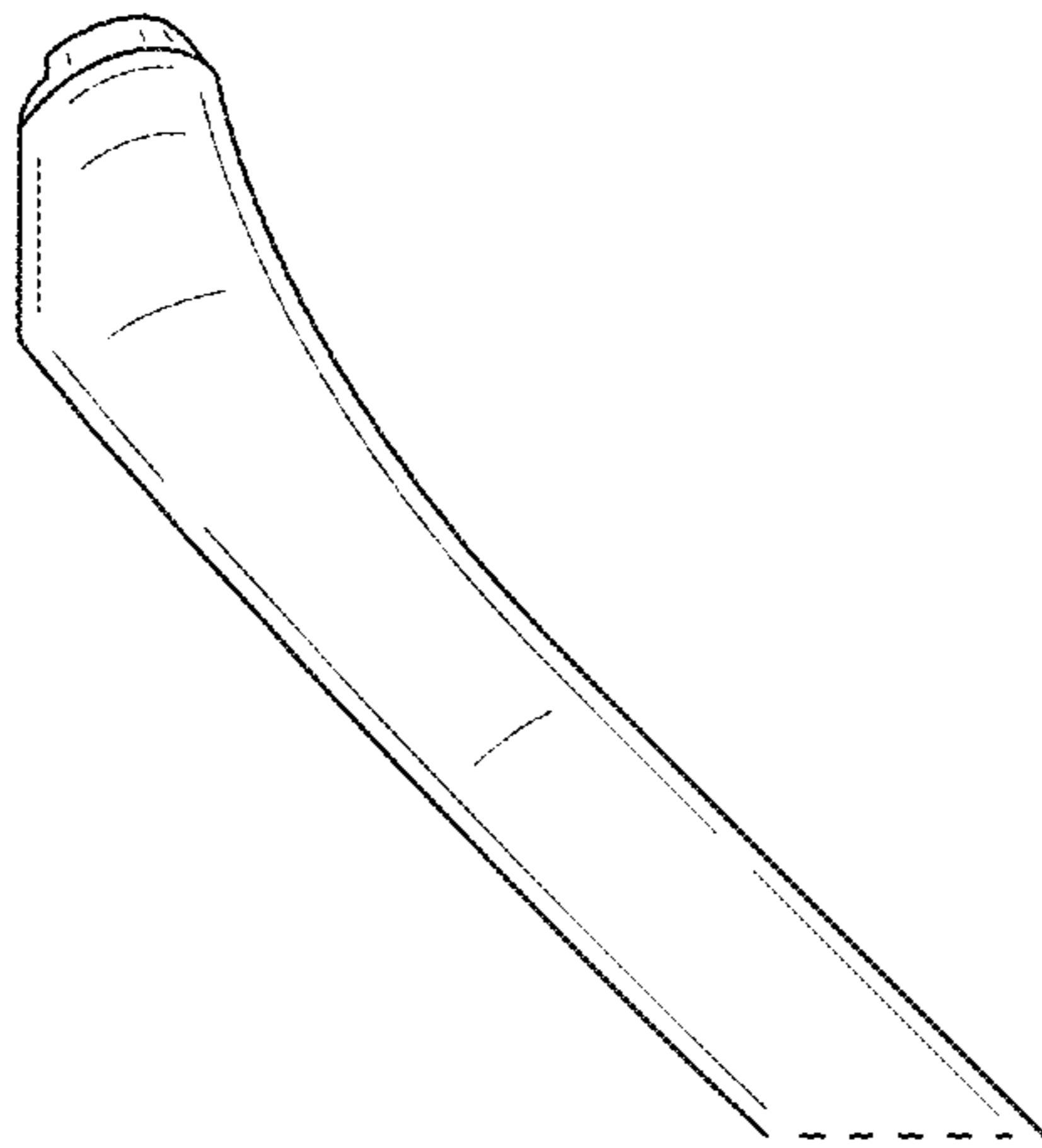


FIG. 5

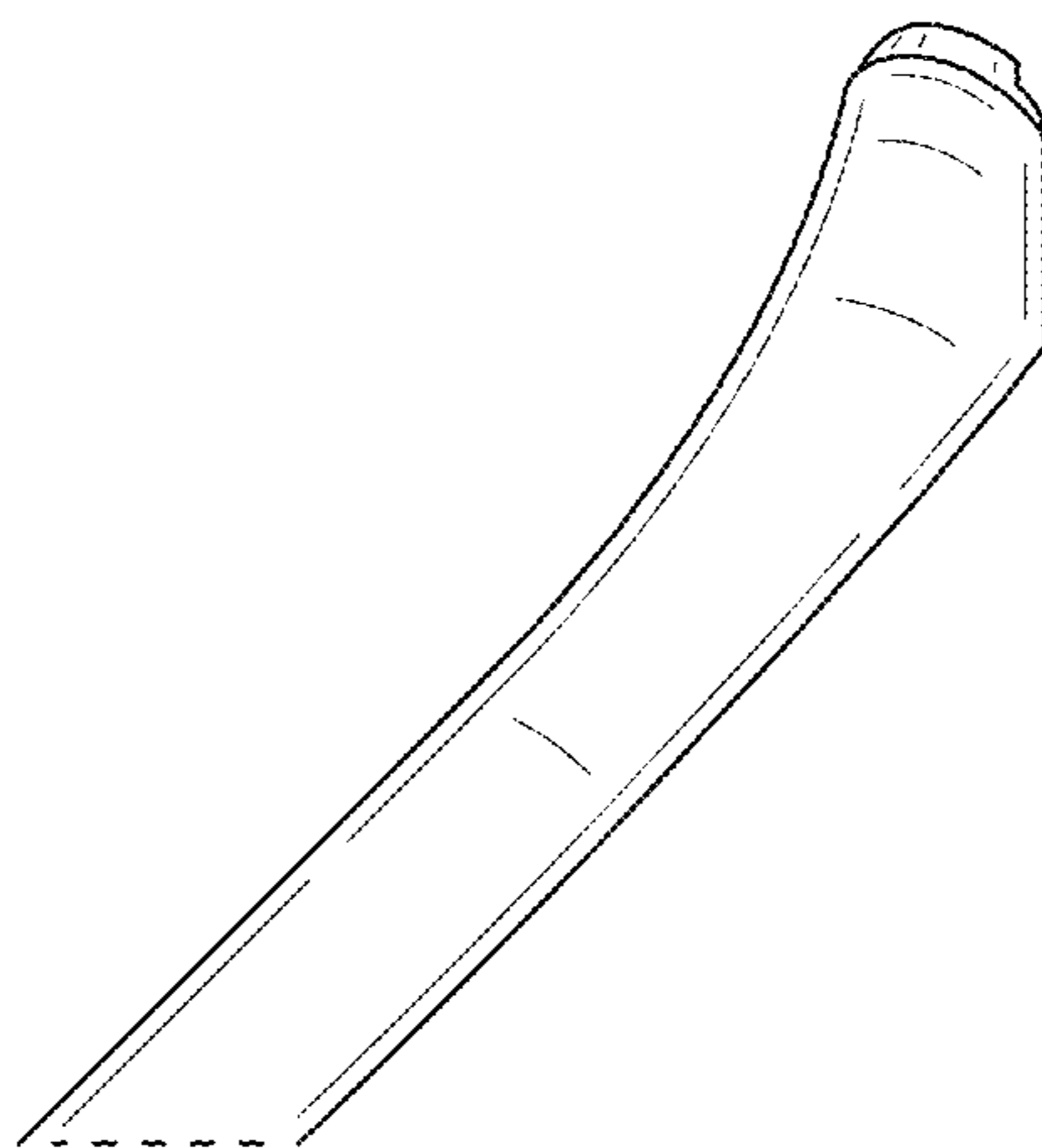


FIG. 6

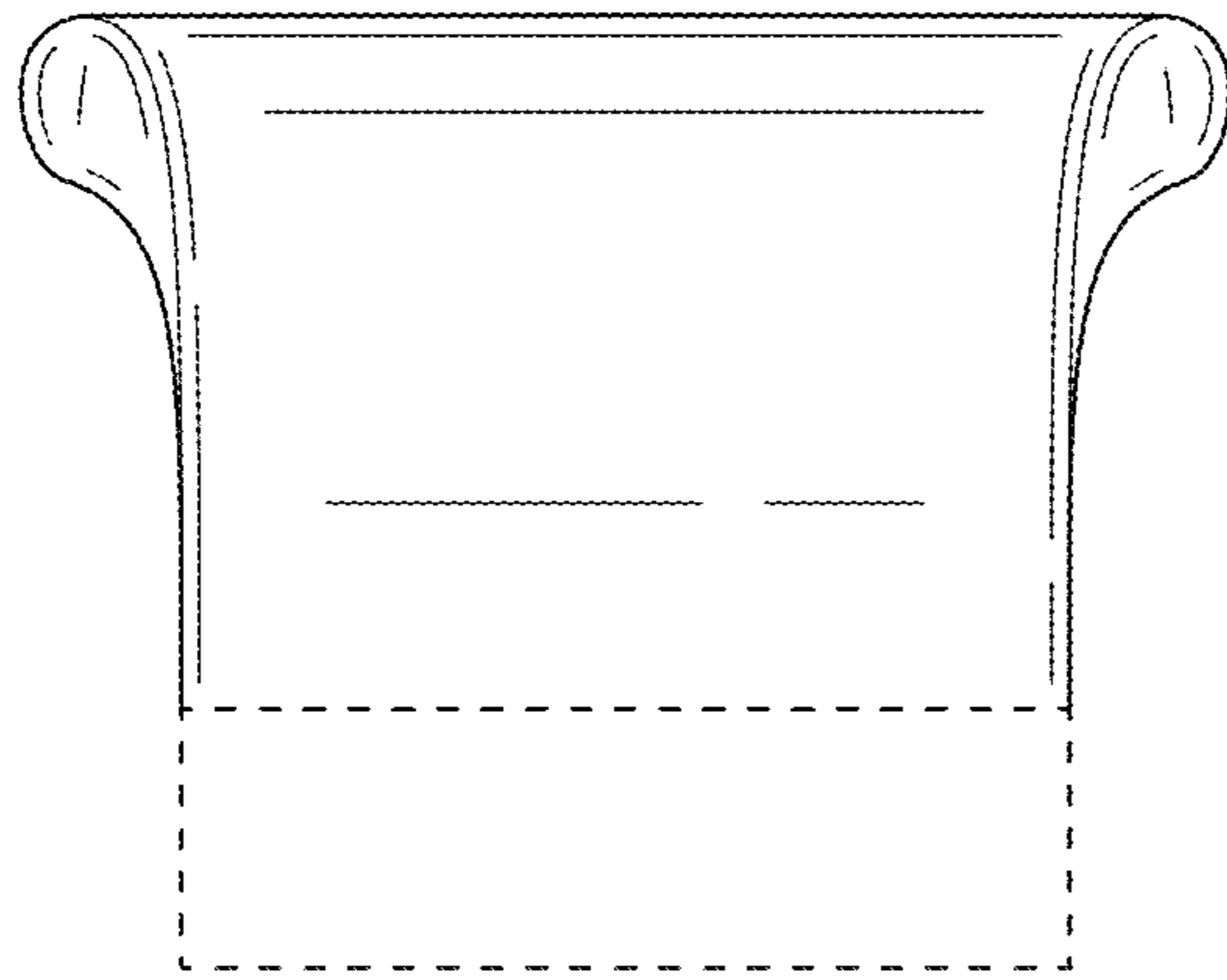


FIG. 7

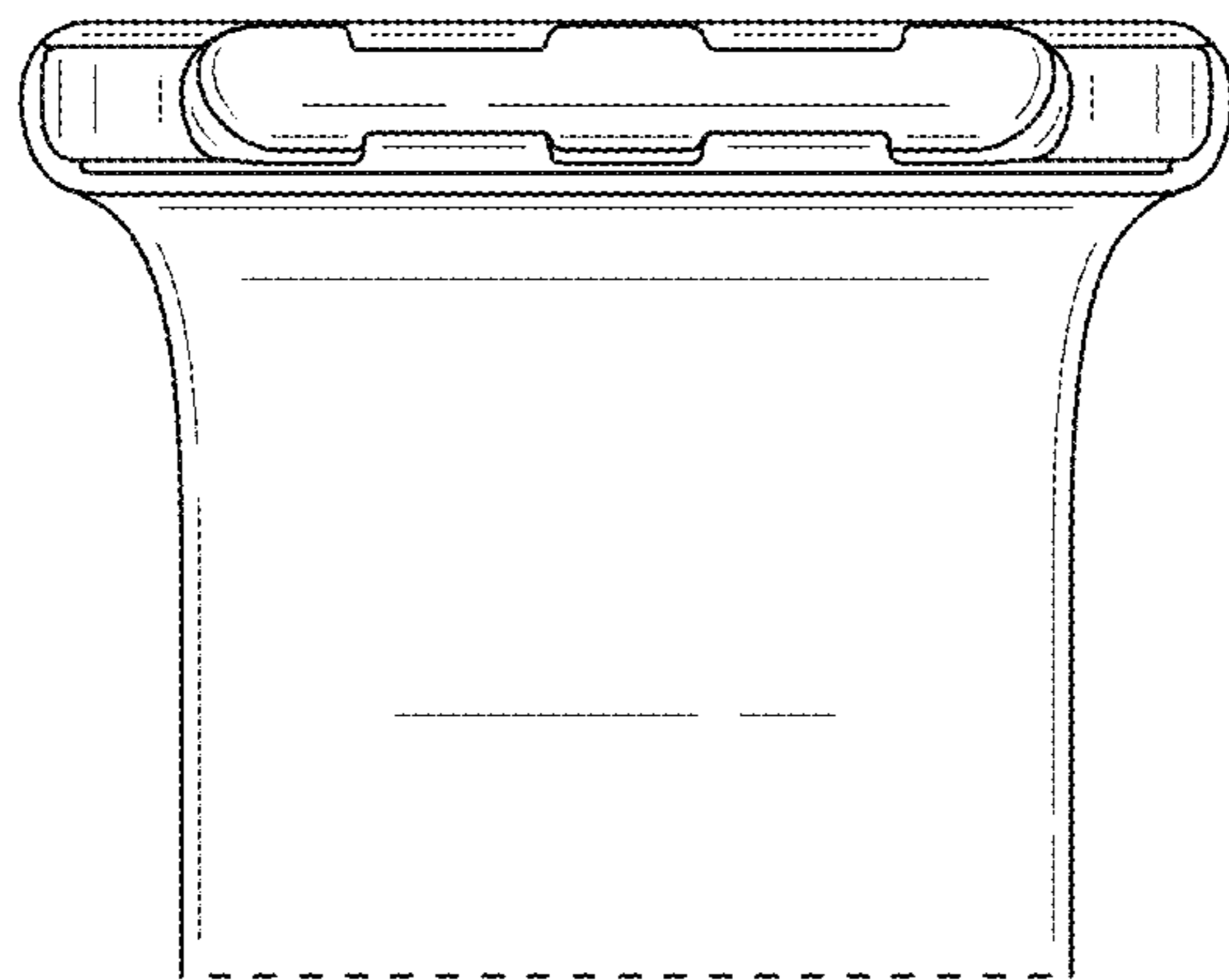


FIG. 8