



US0D1026648S

(12) **United States Design Patent** (10) **Patent No.:** **US D1,026,648 S**  
**Hayashi** (45) **Date of Patent:** **\*\* May 14, 2024**

(54) **CAP OF INK BOTTLE FOR PRINTER**

FOREIGN PATENT DOCUMENTS

(71) Applicant: **BROTHER INDUSTRIES, LTD.**,  
Nagoya (JP)

EM 007483342-0001 \* 11/2020  
GB 9007483342-0001 \* 1/2020

(Continued)

(72) Inventor: **Masahiro Hayashi**, Kiyosu (JP)

OTHER PUBLICATIONS

(73) Assignee: **BROTHER INDUSTRIES, LTD.**,  
Nagoya (JP)

Solvent bottle cap, posted date not available [retrieved Apr. 26, 2023]. Retrieved from internet, <https://www.coleparmer.com/i/diba-omnifit-t-series-solvent-bottle-cap-gl38-38-430-plastic-2-luer-ports-without-valve/2194284> (Date: 2023) (Year: 2023).\*

(Continued)

(\*\*) Term: **15 Years**

(21) Appl. No.: **29/720,021**

(22) Filed: **Jan. 9, 2020**

*Primary Examiner* — Darcey E Gottschalk

*Assistant Examiner* — Haley K Schnebele

(74) *Attorney, Agent, or Firm* — Oliff PLC

(30) **Foreign Application Priority Data**

Jul. 10, 2019 (JP) ..... 2019-015488

(51) **LOC (14) Cl.** ..... **09-07**

(52) **U.S. Cl.**  
USPC ..... **D9/447**; D9/454

(58) **Field of Classification Search**  
USPC ..... D9/503, 504, 505, 434, 435, 439, 445,  
D9/446, 447, 449, 450, 452, 453, 454,  
D9/499; D7/510, 511, 538, 629, 387,  
D7/391, 392, 392.1, 396.2, 900; 220/711,  
220/713, 717, 719, 212, 254.1, 254.3,  
220/255, 380; D24/112, 119, 127;  
D8/14, 14.1, 499

CPC .... A47G 19/2272; B65D 41/00; B65D 41/04;  
B65D 41/38; B65D 41/56; B65D 41/58;  
B65D 41/62; B65D 47/00; B65D 47/06;  
B65D 47/08; B65D 2543/00046; B65D  
2543/00092; B65D 2543/00296

See application file for complete search history.

(56) **References Cited**

U.S. PATENT DOCUMENTS

D32,192 S \* 2/1900 Stegall ..... D8/499  
3,056,309 A \* 10/1962 Horste ..... B62D 55/211  
D8/499

(Continued)

(57) **CLAIM**

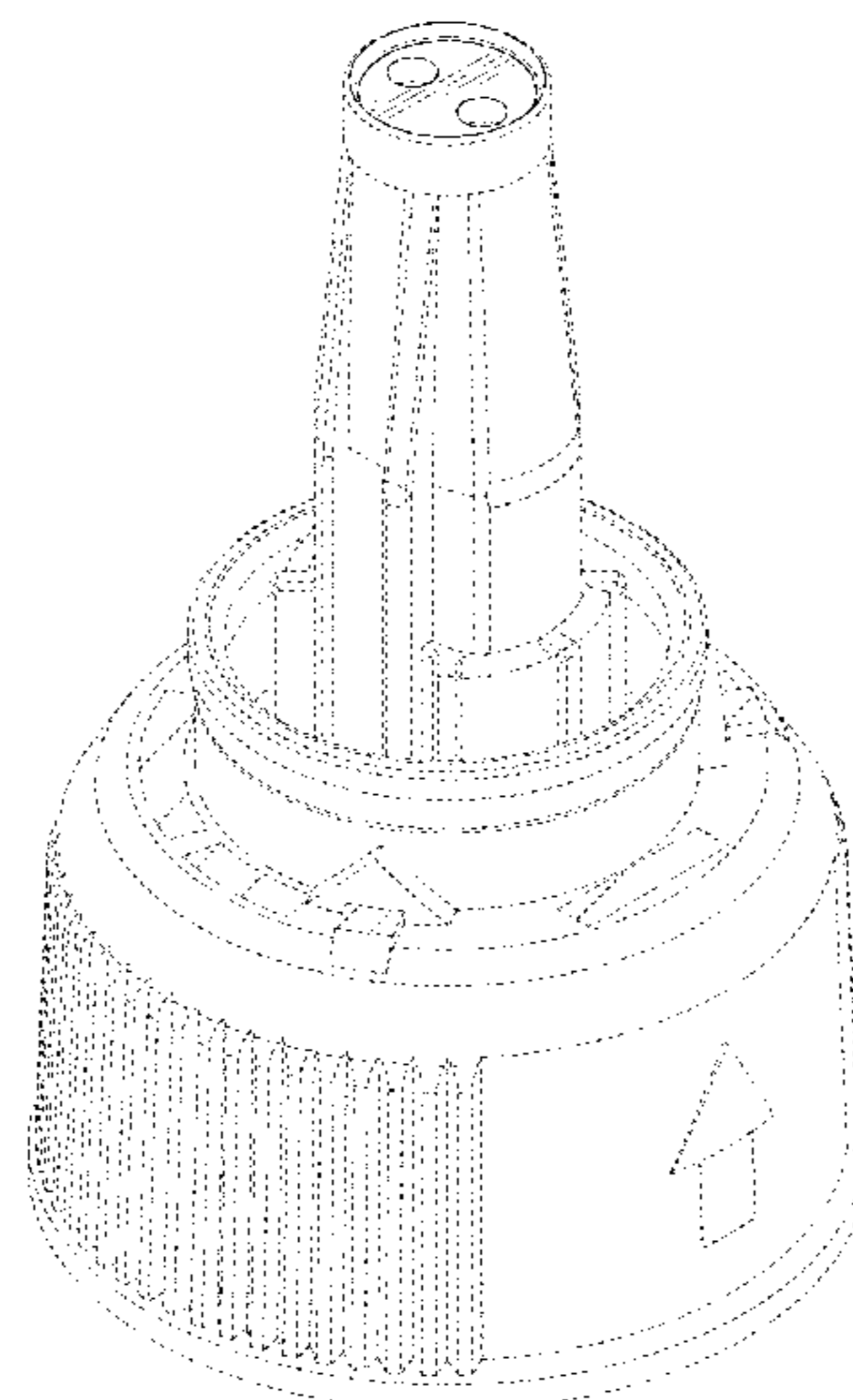
The ornamental design for a cap of ink bottle for printer, as shown and described.

**DESCRIPTION**

FIG. 1 is a perspective view of the cap of ink bottle for printer;  
FIG. 2 is a front elevational view thereof;  
FIG. 3 is a rear elevational view thereof;  
FIG. 4 is a right-side elevational view thereof;  
FIG. 5 is a left-side elevational view thereof;  
FIG. 6 is a top plan view thereof;  
FIG. 7 is a bottom plan view thereof; and,  
FIG. 8 is a cross-sectional view thereof taken along line 8-8 in FIG. 2.

The evenly spaced broken lines depict unclaimed parts of the cap of ink bottle for printer and form no part of the claimed design. In FIG. 2, the dash-dot-dash broken lines represent a sectional designation that forms no part of the claim.

**1 Claim, 8 Drawing Sheets**



(56)

**References Cited**

U.S. PATENT DOCUMENTS

3,269,389 A \* 8/1966 Meurer ..... B05B 11/048  
128/200.14  
5,318,203 A \* 6/1994 Iaia ..... B65D 81/3288  
222/94  
D349,647 S \* 8/1994 Moffitt ..... D9/435  
D373,950 S \* 9/1996 Otani ..... D8/499  
5,765,725 A \* 6/1998 Matt ..... B65D 35/22  
222/129  
5,868,323 A \* 2/1999 Cantor ..... B65D 47/0842  
239/589  
D465,970 S \* 11/2002 Dimeo ..... D7/392.1  
D540,380 S \* 4/2007 Hoshiya ..... D24/224  
D544,353 S \* 6/2007 Dodd ..... D9/741  
D590,255 S \* 4/2009 Maxwell ..... D9/454  
7,594,594 B2 \* 9/2009 Troost ..... C11D 3/0015  
222/145.5  
D669,365 S \* 10/2012 Hanai ..... D9/684  
D705,059 S \* 5/2014 Hutchison ..... D9/447

D772,706 S \* 11/2016 Zhang ..... D9/434  
D805,401 S \* 12/2017 Boctor ..... D9/741  
D842,105 S \* 3/2019 Willemstyn ..... D9/436  
D887,839 S \* 6/2020 Vallotton ..... D9/435  
D924,683 S \* 7/2021 Vallotton ..... D9/435  
D929,218 S \* 8/2021 Wu ..... D8/499  
2013/0037509 A1 \* 2/2013 Rahimy ..... A61J 1/1418  
215/250

FOREIGN PATENT DOCUMENTS

JP D1657214 \* 3/2022  
KR 301142502.0000 \* 12/2021

OTHER PUBLICATIONS

Two hole steam tip, posted date not available [retrieved Apr. 26, 2023]. Retrieved from internet, <https://www.espressoparts.com/products/ep-hq-classic-two-hole-steam-tip> (Date: 2023) (Year: 2023).\*

\* cited by examiner

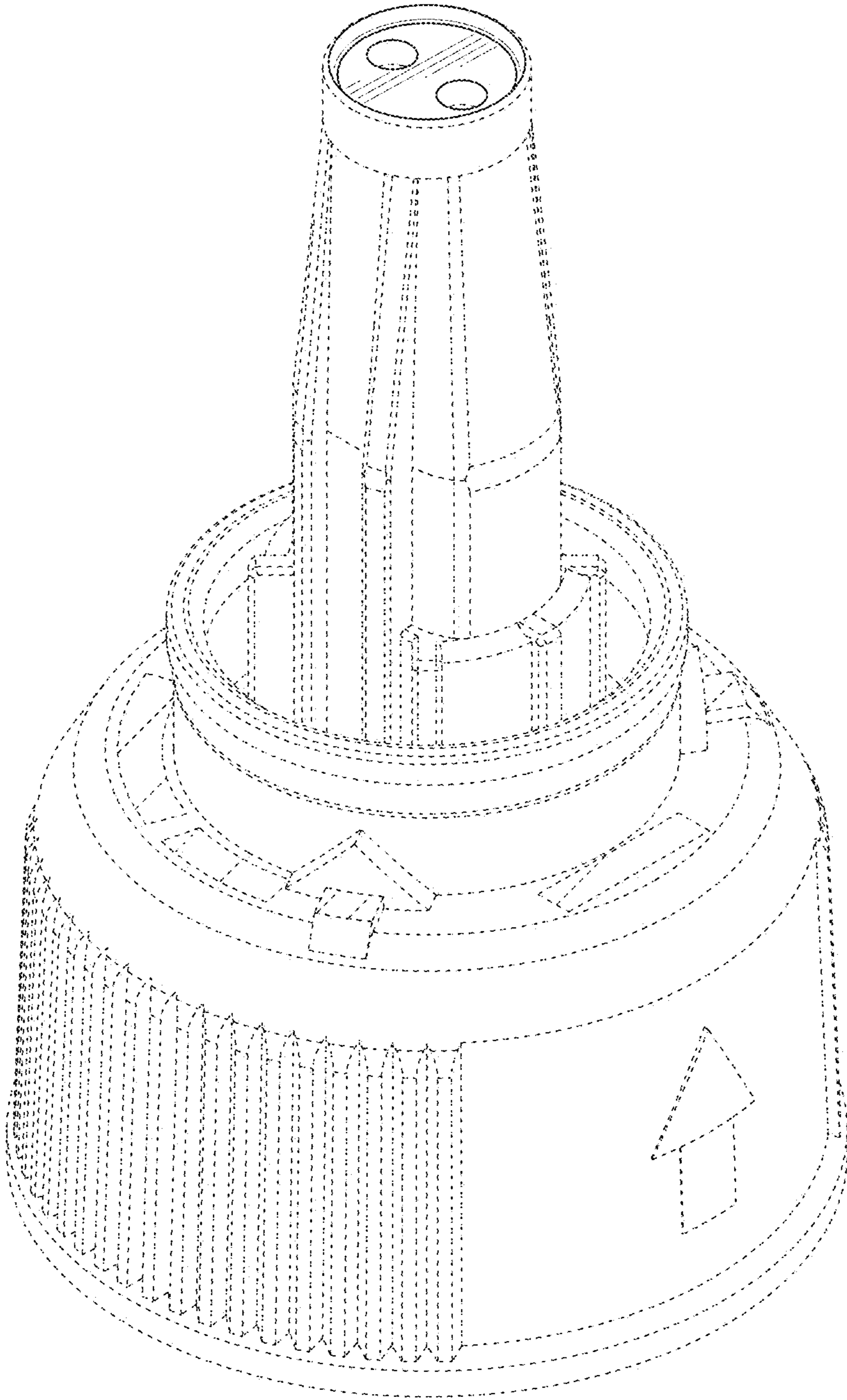


FIG. 1

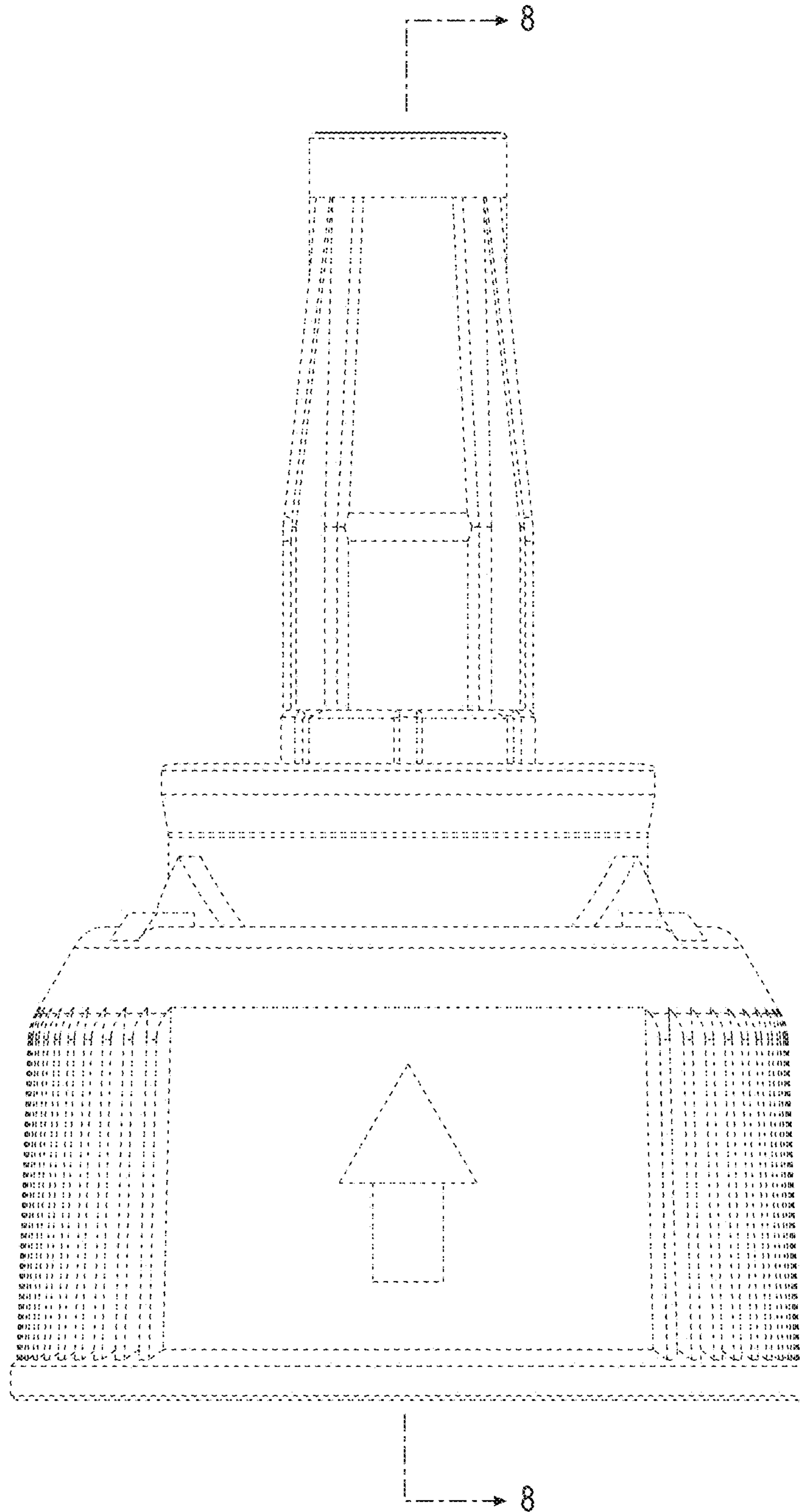


FIG. 2

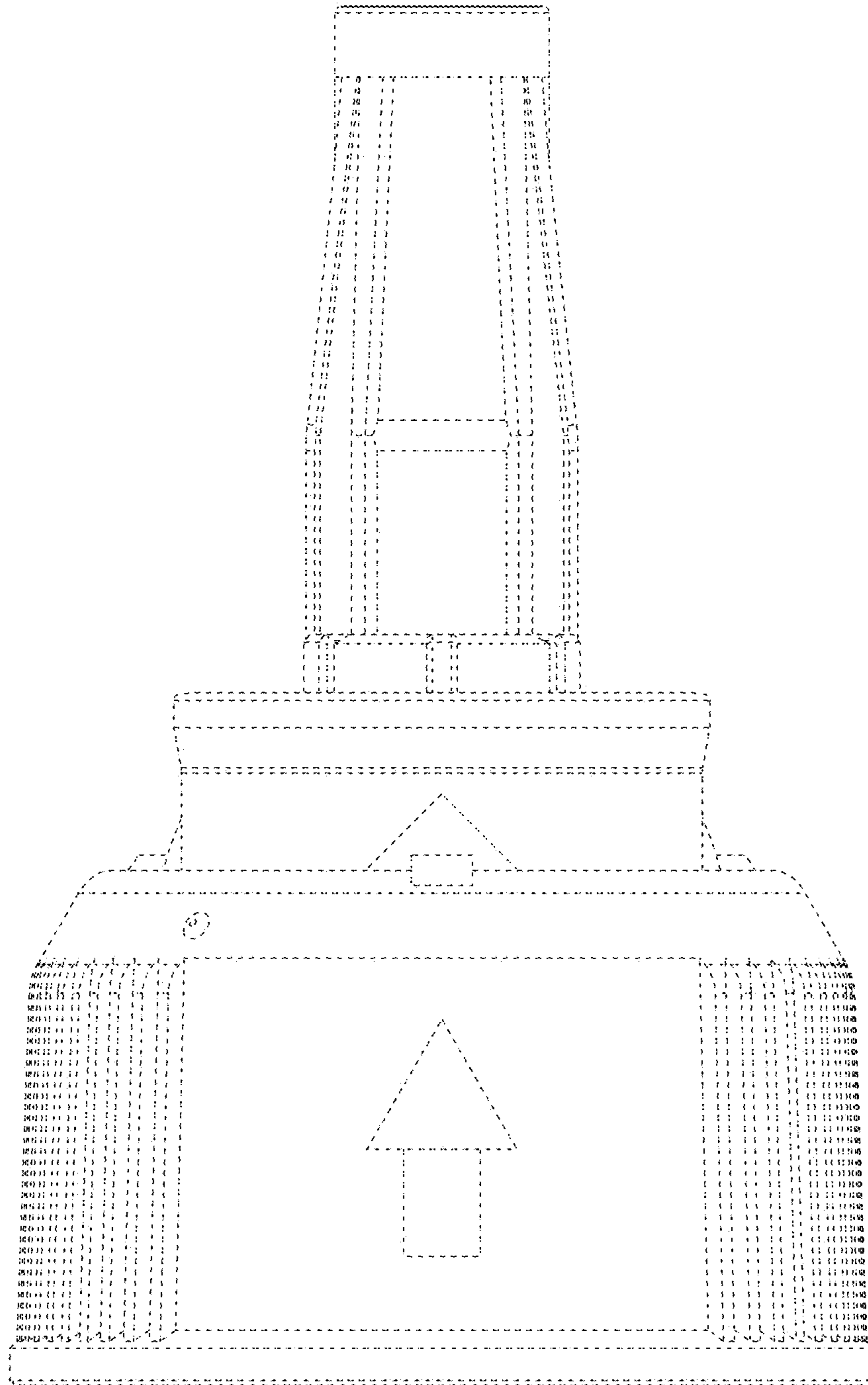


FIG. 3

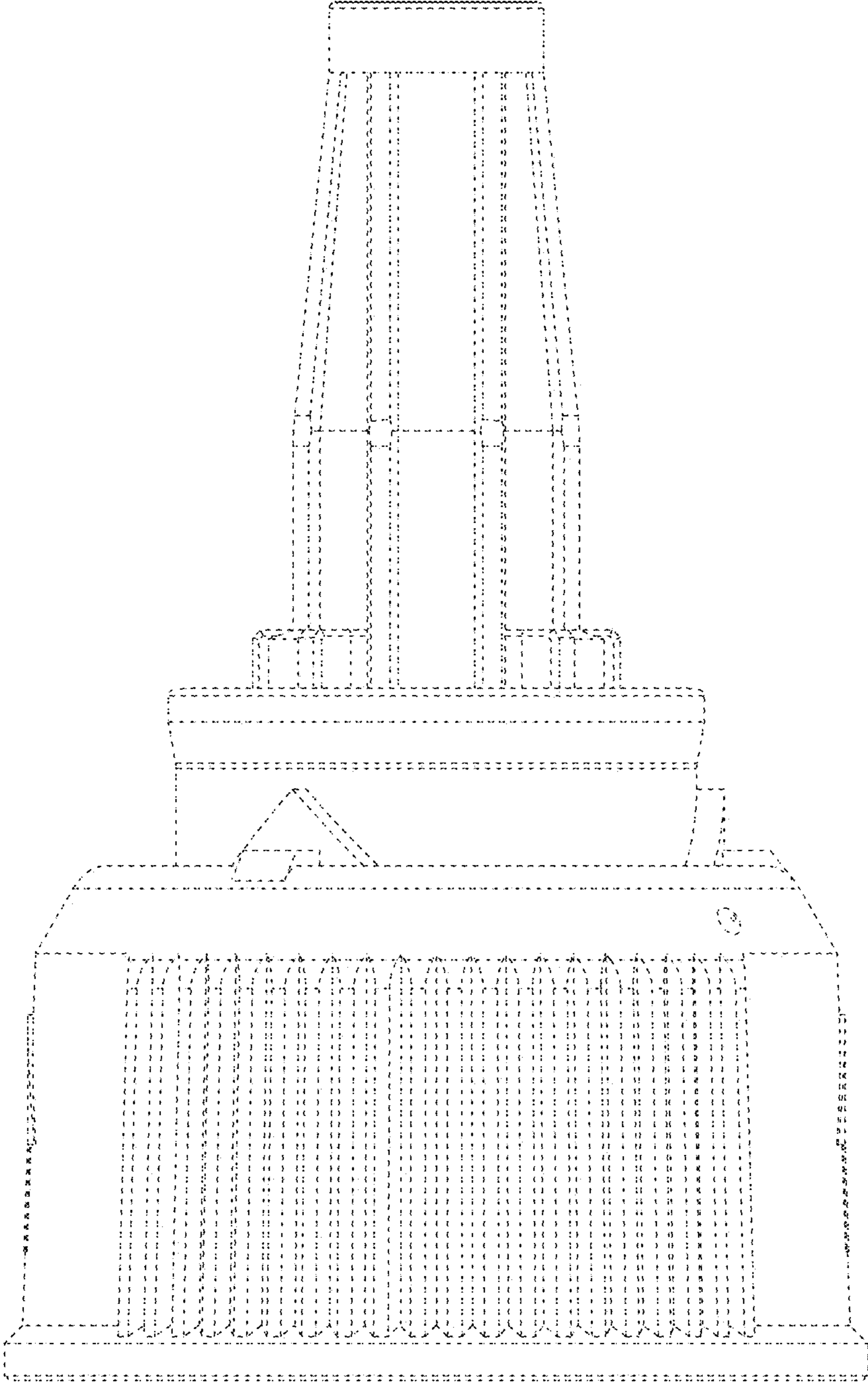


FIG. 4

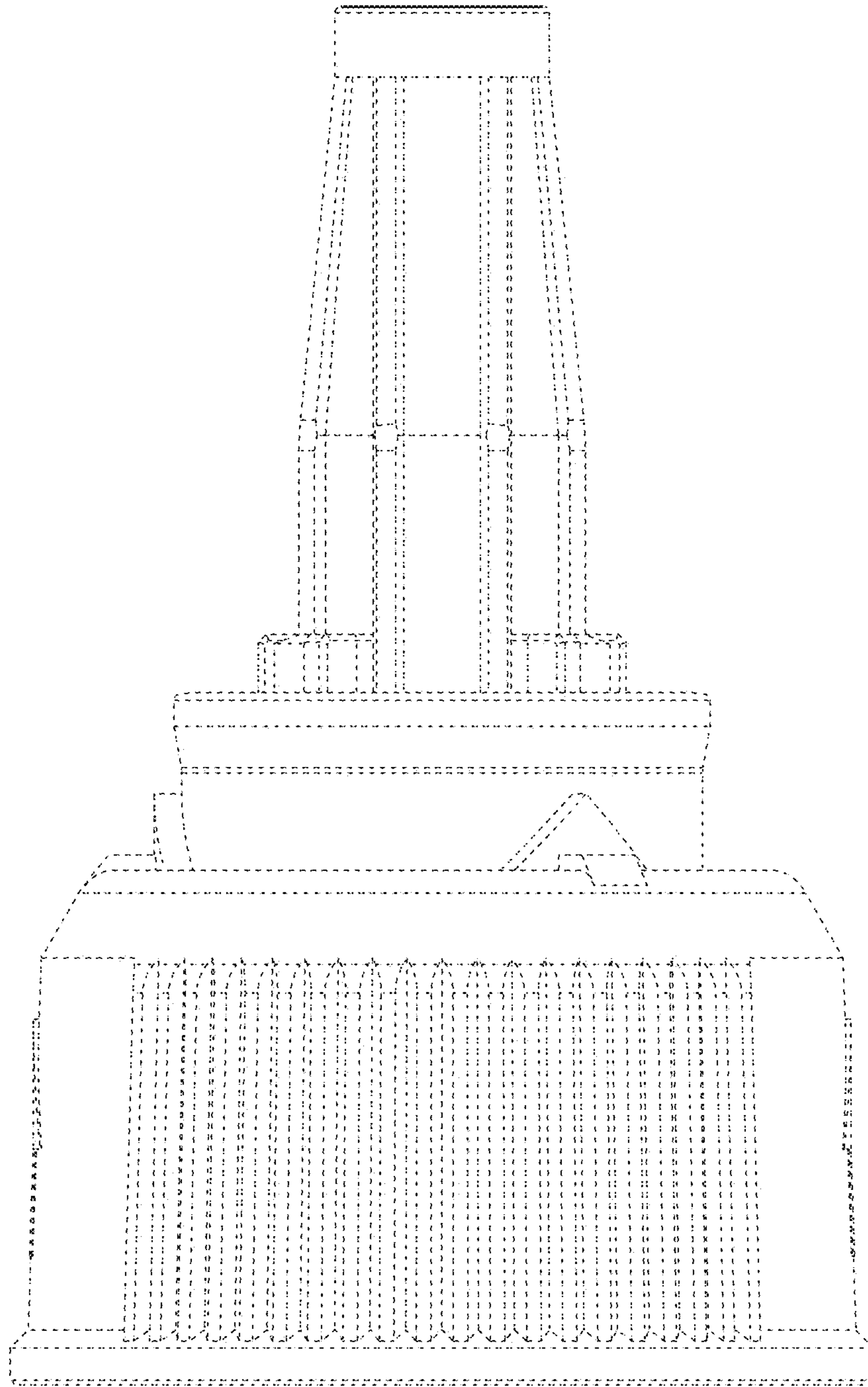


FIG. 5

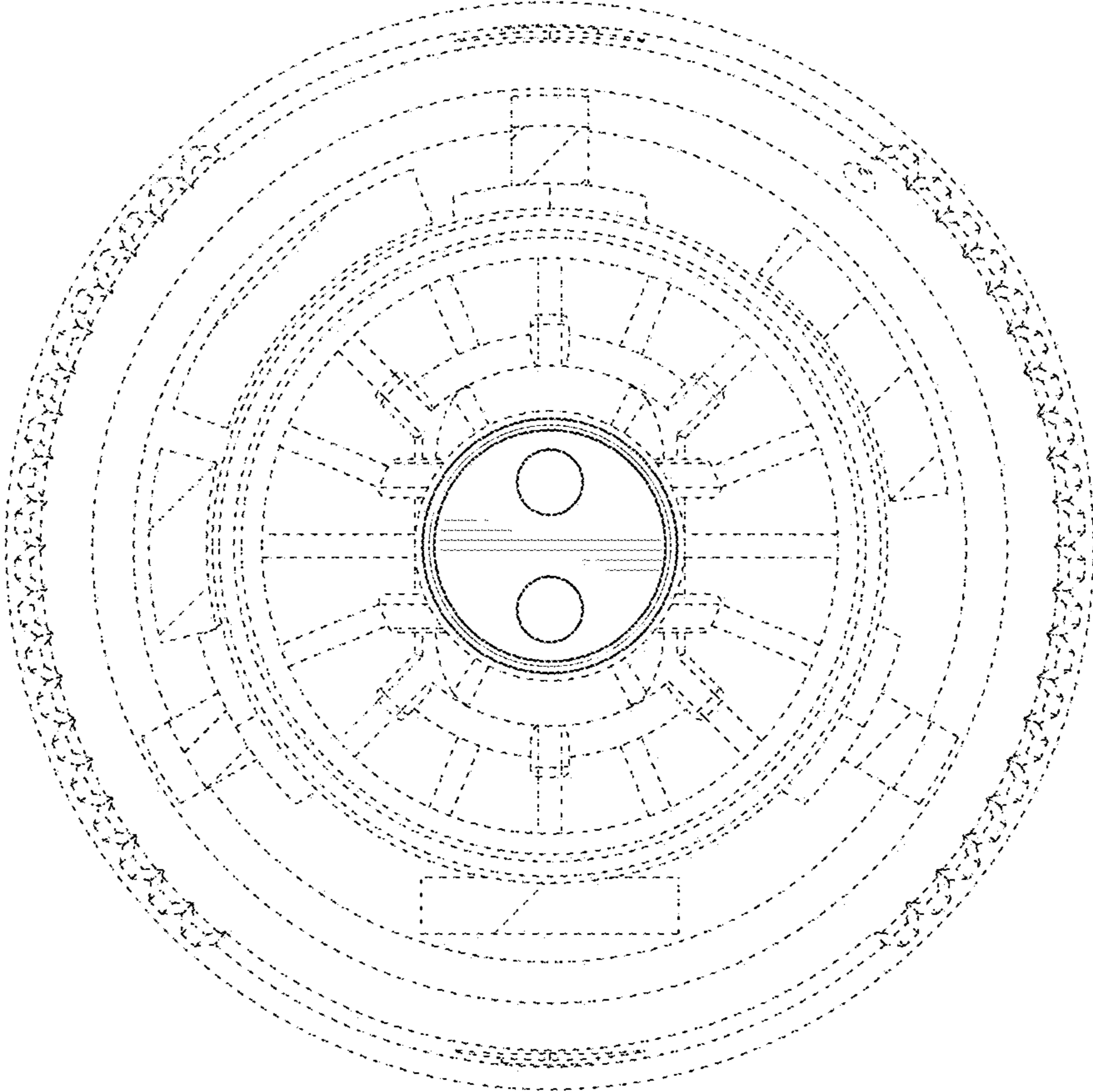


FIG. 6



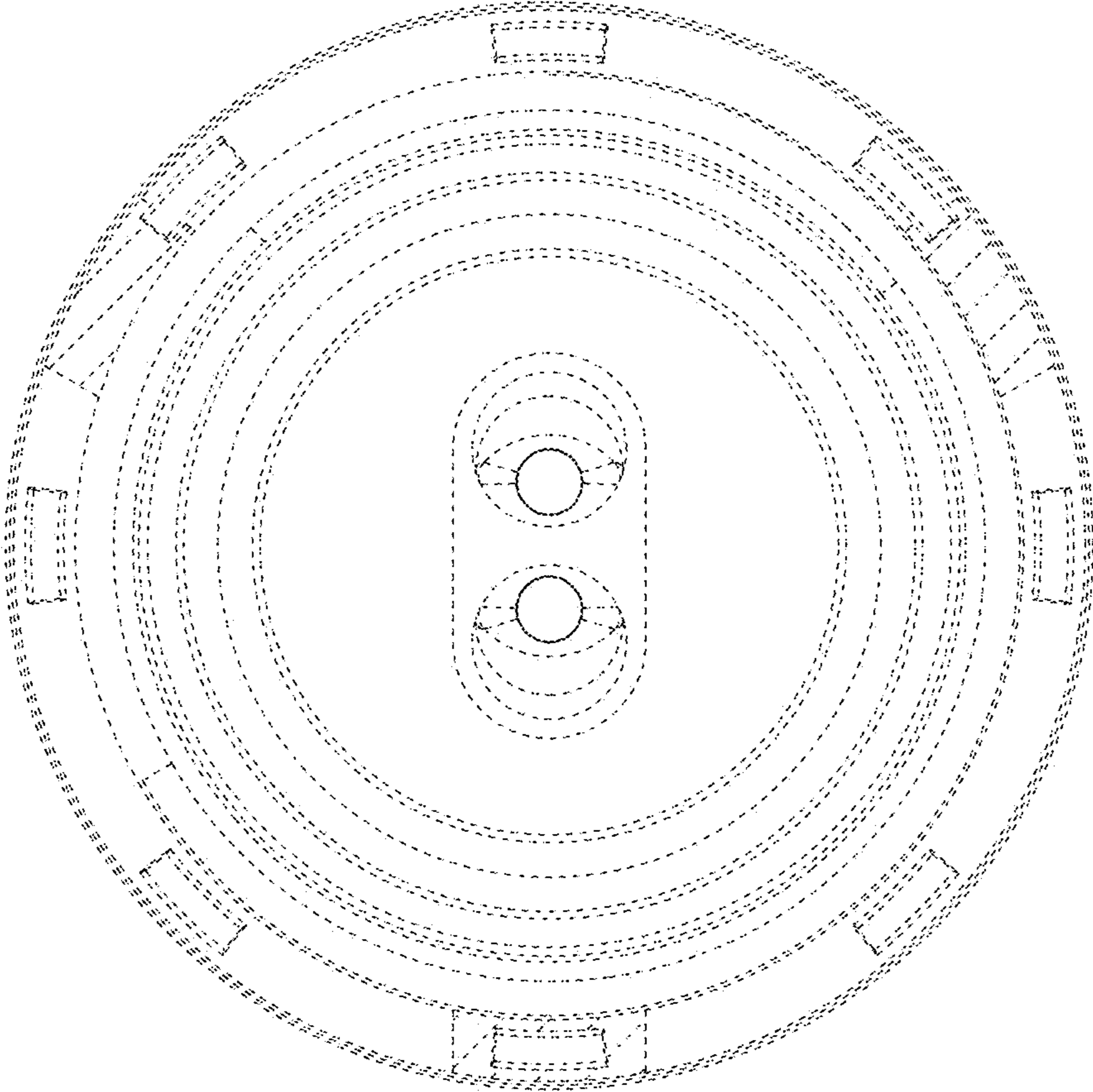


FIG. 7

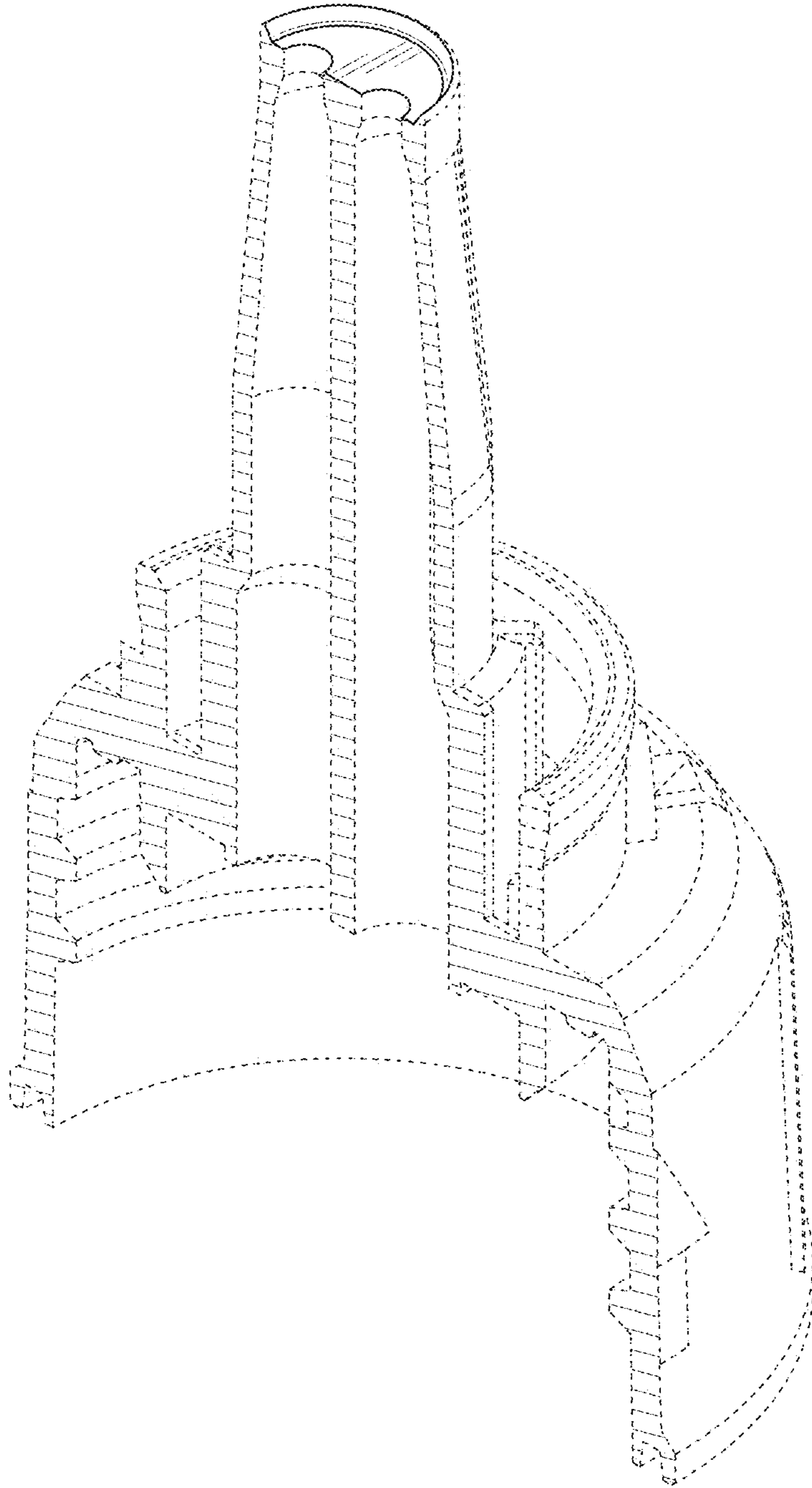


FIG. 8