



US0D1026638S

(12) **United States Design Patent** (10) **Patent No.:** **US D1,026,638 S**
Ellison (45) **Date of Patent:** **** May 14, 2024**

(54) **DOWNPOUT RETENTION CLIP**

(71) Applicant: **John Ellison**, Friend, NE (US)

(72) Inventor: **John Ellison**, Friend, NE (US)

(**) Term: **15 Years**

(21) Appl. No.: **29/845,537**

(22) Filed: **Jul. 8, 2022**

(51) **LOC (14) Cl.** **08-08**

(52) **U.S. Cl.**
USPC **D8/394**

(58) **Field of Classification Search**
USPC D25/119; D23/267; D8/382, 394
CPC Y10T 137/9464; Y10T 137/8807; E04D
2013/0813; E04D 13/08
See application file for complete search history.

(56) **References Cited**

U.S. PATENT DOCUMENTS

D173,148 S	*	10/1954	Emmite	D8/382
D222,526 S	*	11/1971	Meier	D8/382
D261,292 S	*	10/1981	Tong	D8/394
D295,496 S	*	5/1988	Burke	D8/382
5,452,743 A	*	9/1995	Rortvedt	E04D 13/08 52/16
D551,959 S	*	10/2007	Hargis	D8/394
D593,852 S	*	6/2009	Hoebeek	D8/394
D621,953 S	*	8/2010	Peifer	D8/394
D670,160 S	*	11/2012	Bitarchas	D8/394
D718,822 S	*	12/2014	Lee	D21/565
D723,359 S	*	3/2015	O'Connor	D8/382
D729,053 S	*	5/2015	Underkoffler	D8/394
D777,302 S	*	1/2017	Bice, Jr.	D23/267
D795,049 S	*	8/2017	Brigham	D8/382
D816,473 S	*	5/2018	Blyahman	D8/394
D903,478 S	*	12/2020	Poirier	D8/394

(Continued)

OTHER PUBLICATIONS

Amazon, Downspout Extension Magnetic Clip (White), Nov. 28, 2022, <https://www.amazon.com/Downspout-Extension-Magnetic-Clip-White/dp/B0BMQXP8P4?th=1> (Year: 2022).*

Primary Examiner — Jennifer L Rempfer

Assistant Examiner — Olivia H Aldin

(74) *Attorney, Agent, or Firm* — Nasr Patent Law LLC; Faisal K. Abou-Nasr

(57) **CLAIM**

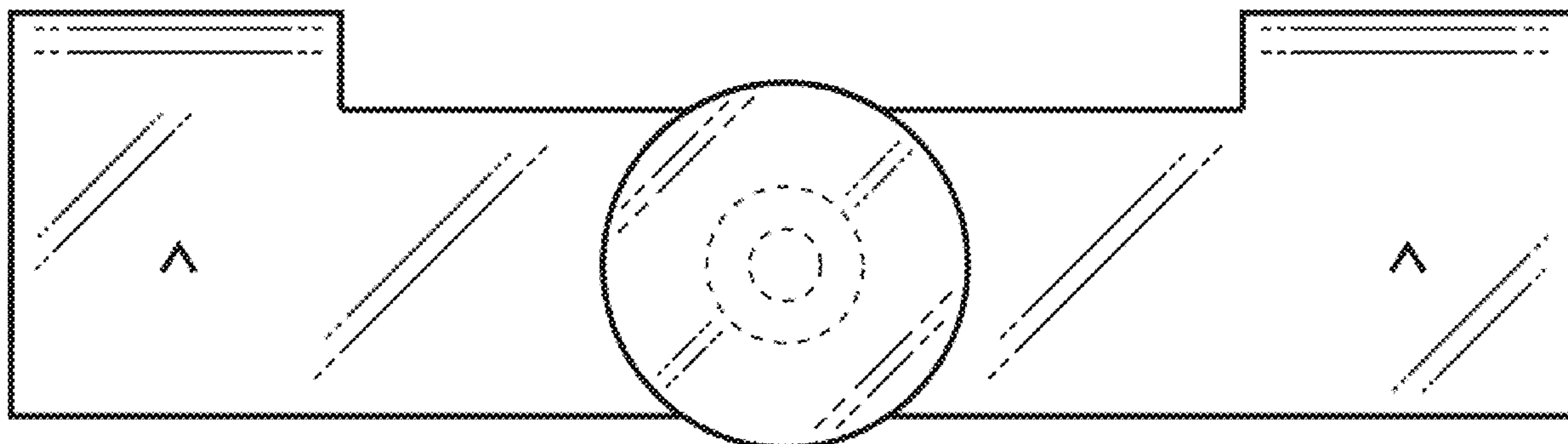
The ornamental design for a downspout retention clip, as shown and described.

DESCRIPTION

FIG. 1 is a top view of a downspout retention clip; FIG. 2 is bottom view of the downspout retention clip of FIG. 1; FIG. 3 is a front elevation view of the downspout retention clip of FIG. 1; FIG. 4 is a rear elevation view of the downspout retention clip of FIG. 1; FIG. 5 is a right side elevation view of the downspout retention clip of FIG. 1; FIG. 6 is a left side elevation view of the downspout retention clip of FIG. 1; FIG. 7 is a perspective view of the downspout retention clip of FIG. 1; FIG. 8 is an environmental view of the downspout retention clip of FIG. 1 coupled to a downspout of a gutter system; FIG. 9 is another environmental view of the downspout retention clip of FIG. 1 coupled to a downspout of a gutter system; and, FIG. 10 is another environmental view of the downspout retention clip of FIG. 1 coupled to a downspout of a gutter system.

Broken lines in the drawings illustrate portions of the downspout retention clip and environmental artifacts that form no part of the claimed design.

1 Claim, 5 Drawing Sheets



(56)

References Cited

U.S. PATENT DOCUMENTS

D911,159	S	*	2/2021	Black	D8/394
D922,186	S	*	6/2021	Schneider	D25/123
D952,441	S	*	5/2022	Zhao	D8/330
D957,928	S	*	7/2022	Locke	D8/394
2012/0285567	A1	*	11/2012	Kessler	E04D 13/08 137/615

* cited by examiner

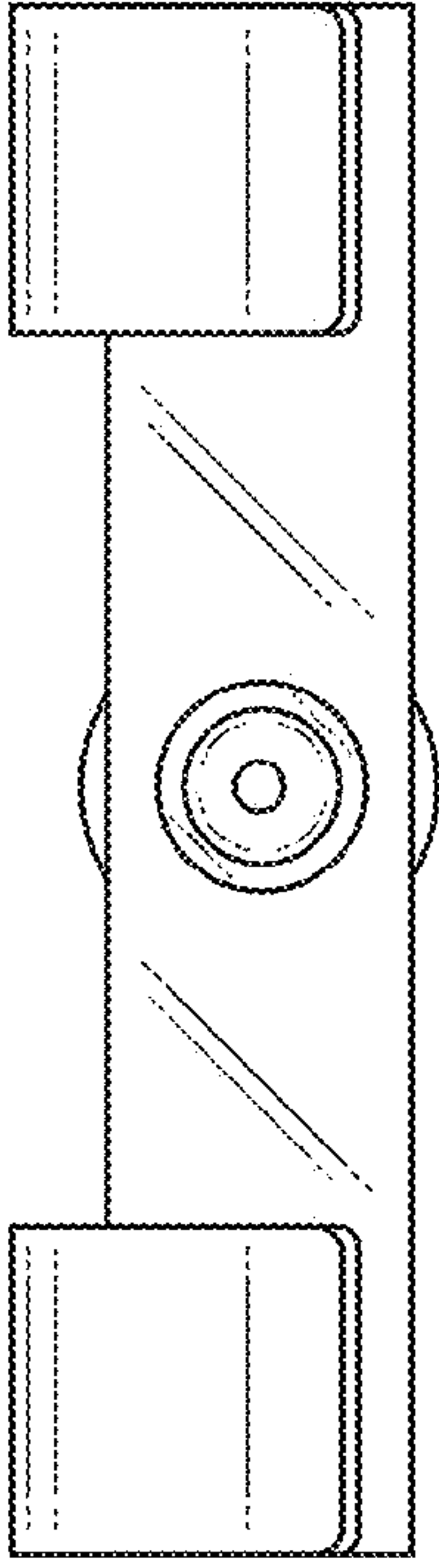


FIG. 1

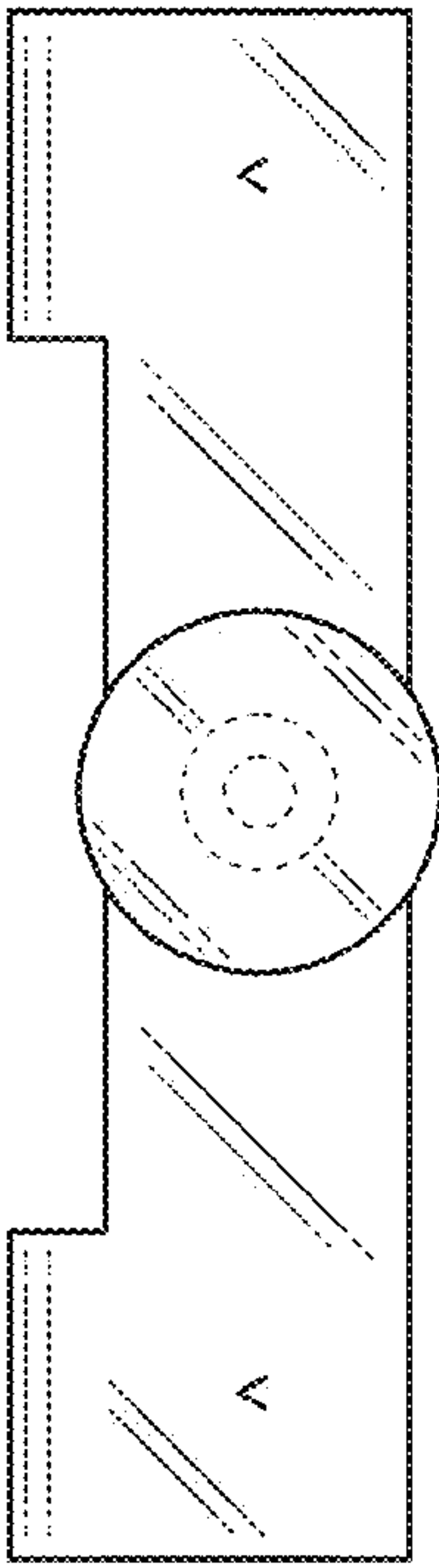


FIG. 2

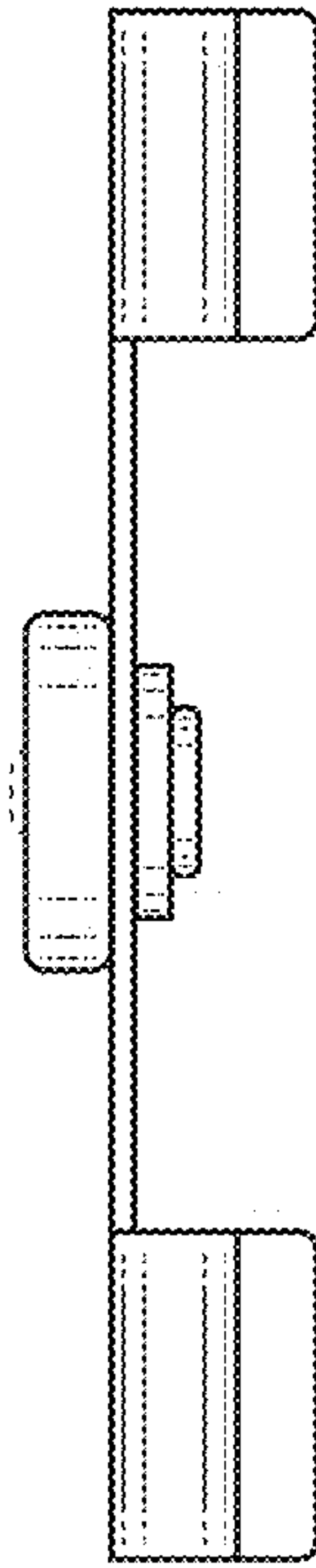


FIG. 3

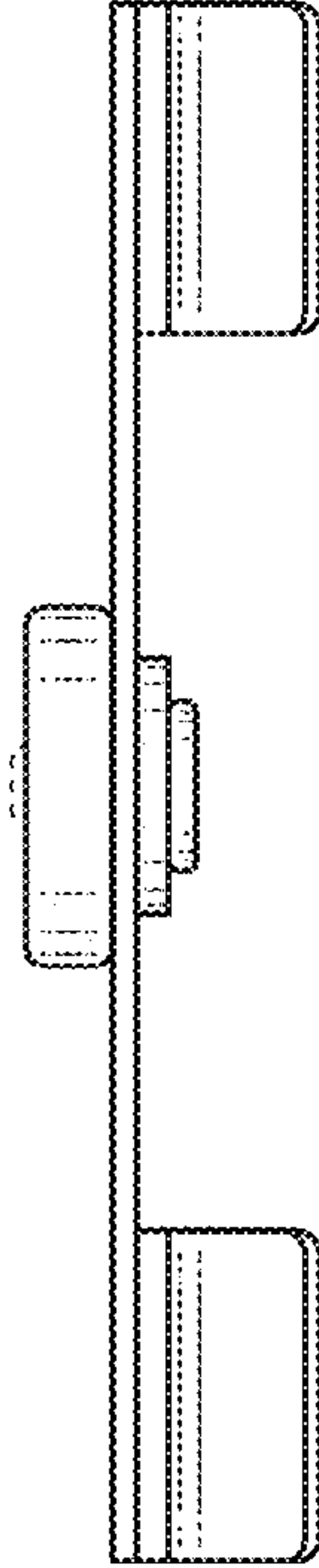


FIG. 4

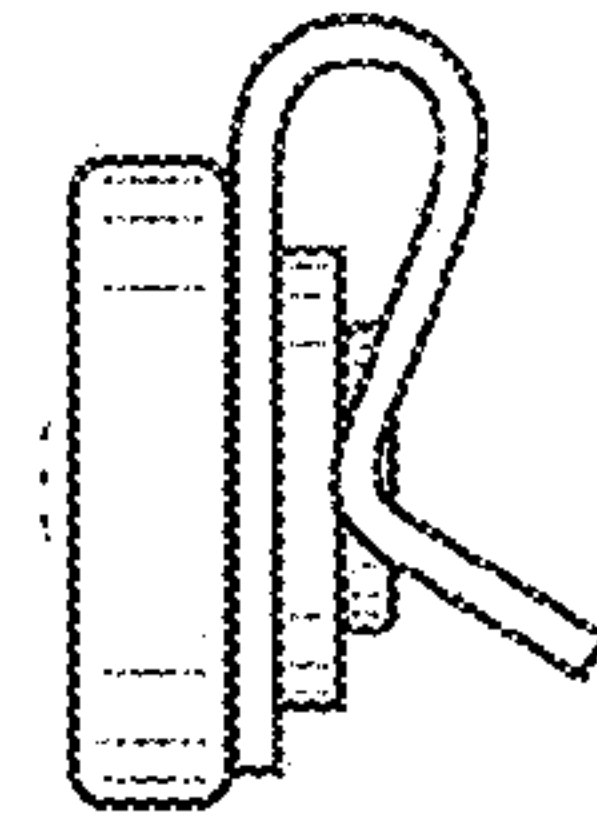


FIG. 5

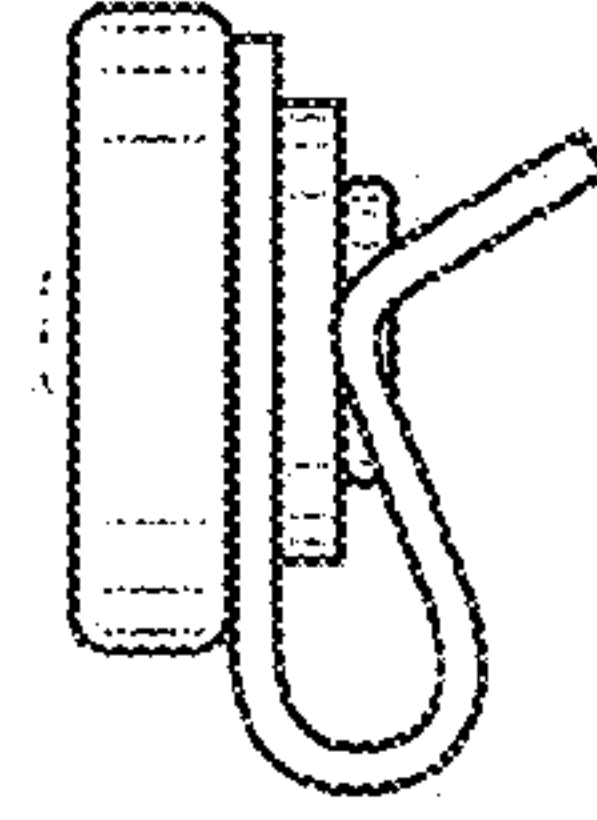


FIG. 6

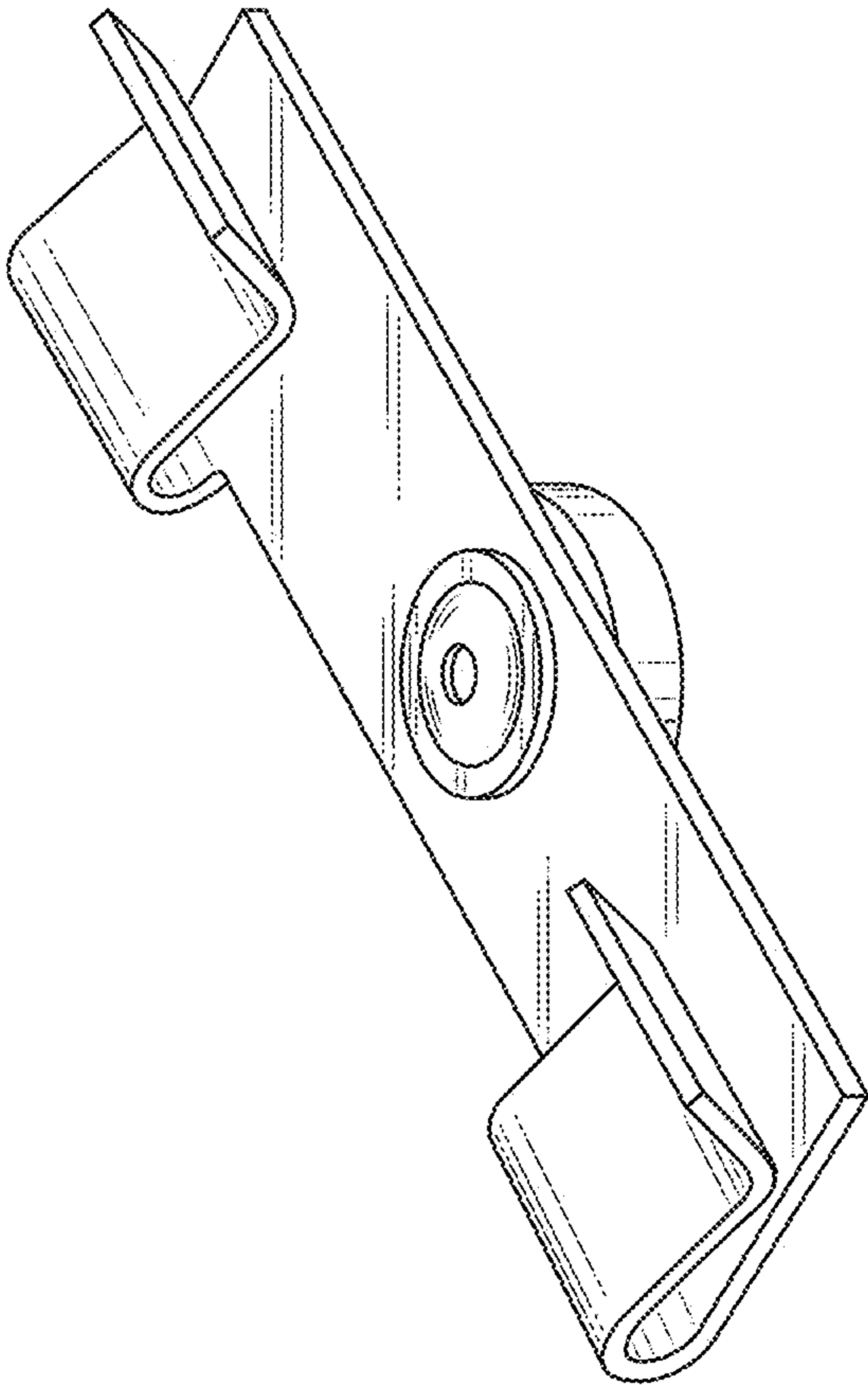


FIG.7

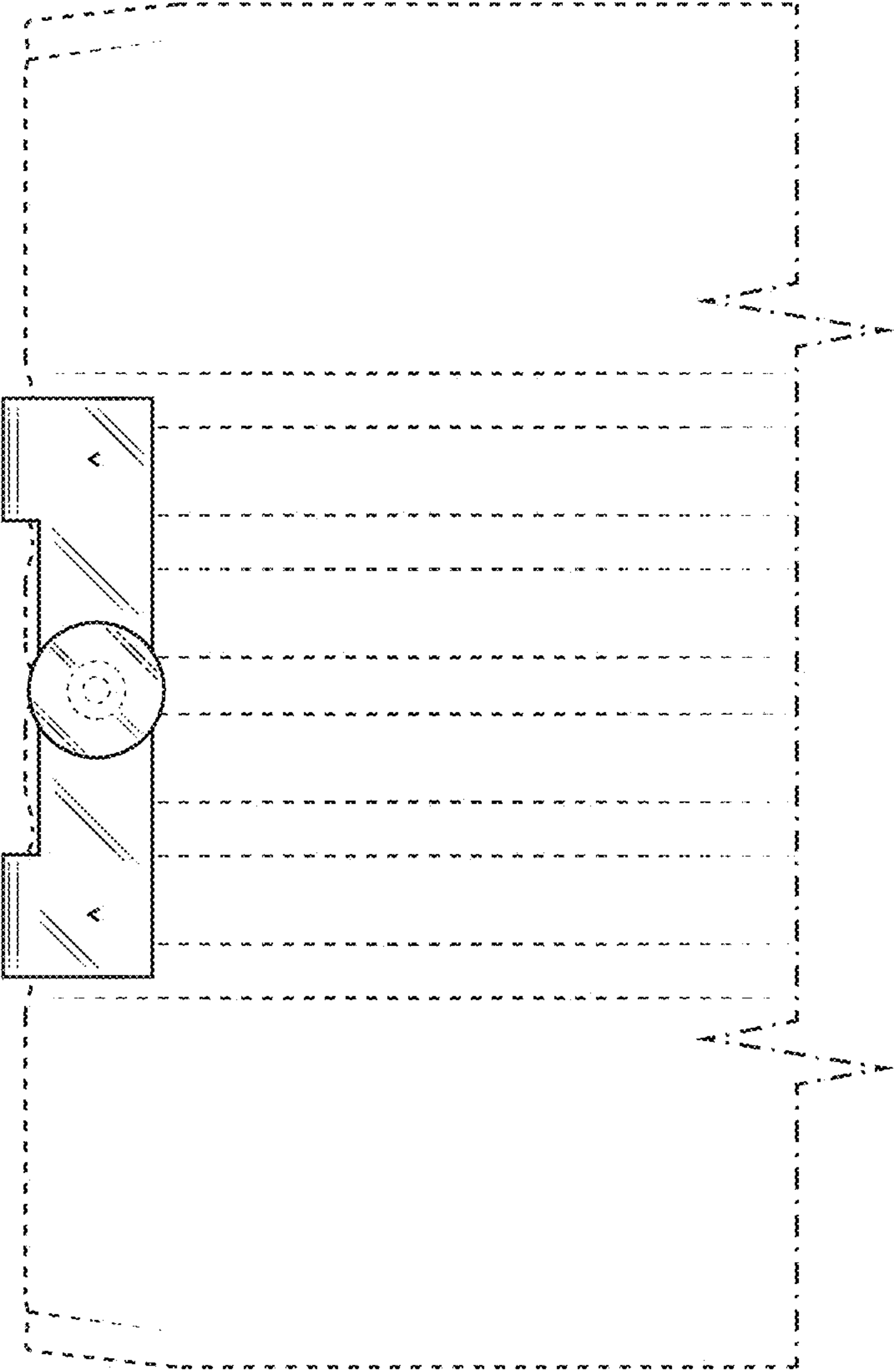


FIG. 8

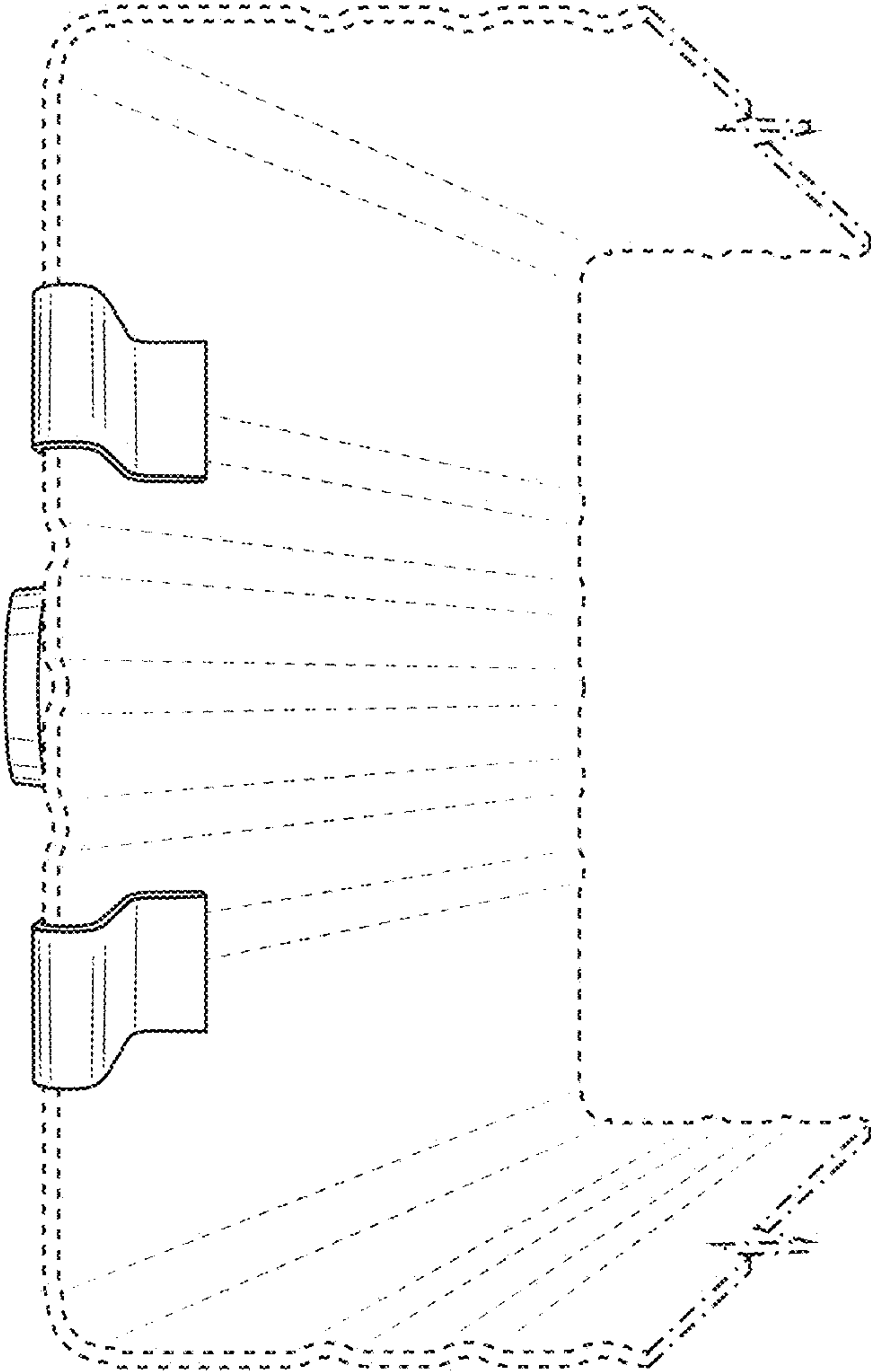


FIG. 9

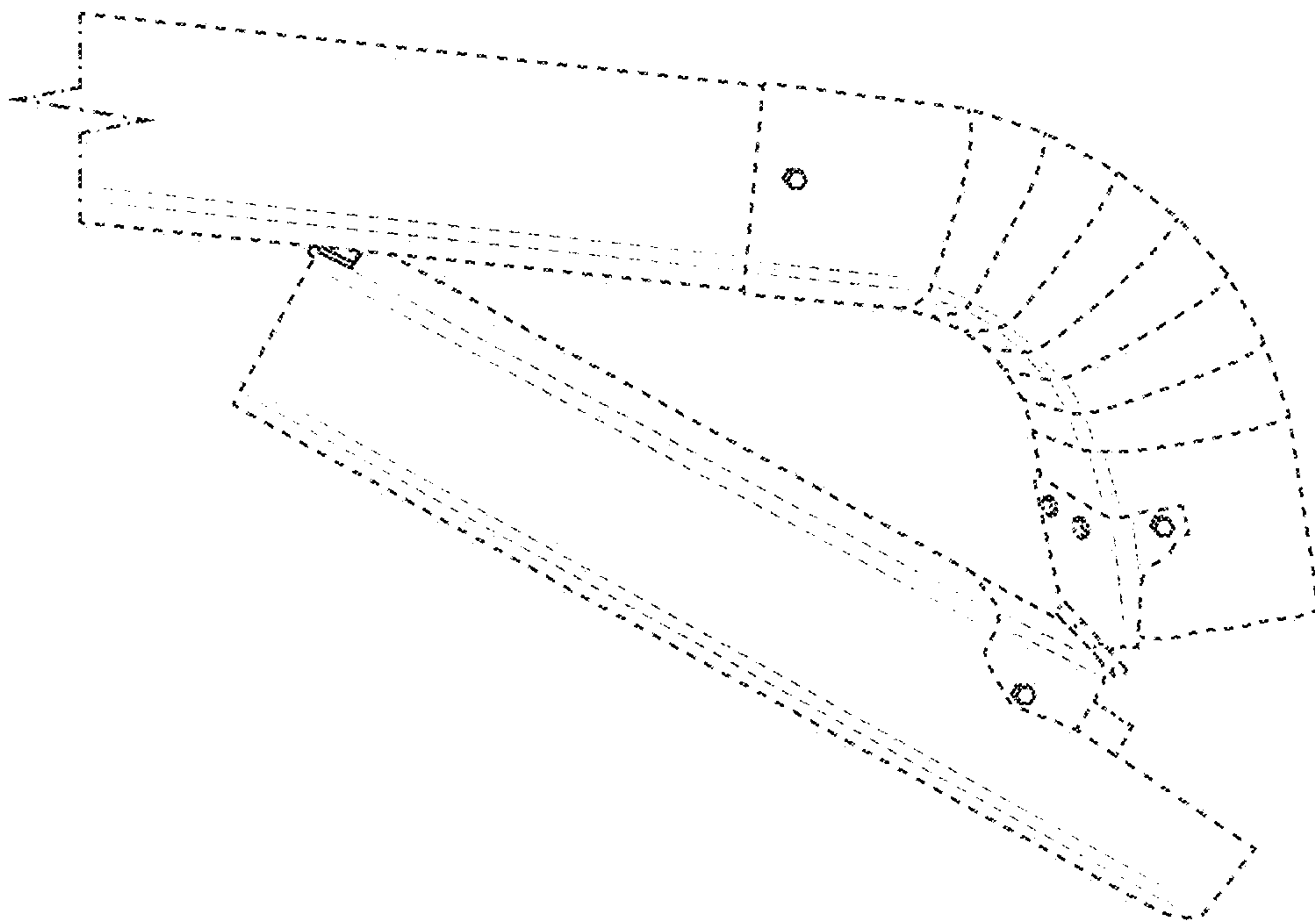


FIG. 10