



US0D1026402S

(12) **United States Design Patent** (10) **Patent No.:** **US D1,026,402 S**
Chen (45) **Date of Patent:** **** May 14, 2024**

(54) **WEARABLE BLANKET WITH WING POCKETS**

(71) Applicant: **Xiaoli Chen**, Guangdong (CN)

(72) Inventor: **Xiaoli Chen**, Guangdong (CN)

(**) Term: **15 Years**

(21) Appl. No.: **29/916,704**

(22) Filed: **Nov. 15, 2023**

(51) **LOC (14) Cl.** **02-02**

(52) **U.S. Cl.**
USPC **D2/828**

(58) **Field of Classification Search**
USPC D2/718, 724, 728, 749-751, 825, 828,
D2/830, 831, 839, 840-842
CPC A41D 2200/20; A41D 1/04; A41D 15/04;
A41D 3/02; A41D 3/005; A41D 3/04;
A41D 3/08; A41D 27/10
See application file for complete search history.

(56) **References Cited**

U.S. PATENT DOCUMENTS

D626,310 S *	11/2010	Cruz	D2/758
D859,788 S *	9/2019	Speciale	D2/828
D886,416 S *	6/2020	Speciale	D2/828
D903,235 S *	12/2020	Lv	D2/724
D903,237 S *	12/2020	Speciale	D2/828
D905,380 S *	12/2020	Speciale	D2/828
D912,369 S *	3/2021	Wu	D2/750
D917,829 S *	5/2021	Guo	D2/718
D933,334 S *	10/2021	Hsu	D2/750
D949,519 S	4/2022	Yang		
D950,198 S *	5/2022	Guo	D2/831
D951,592 S *	5/2022	Xiao	D2/724
D963,294 S *	9/2022	Zhang	D2/828

D967,607 S *	10/2022	Liu	D2/831
D968,049 S *	11/2022	Speciale	D2/828
D968,051 S *	11/2022	Speciale	D2/828
D968,758 S *	11/2022	Speciale	D2/828
D968,760 S *	11/2022	Speciale	D2/828
D969,458 S *	11/2022	Speciale	D2/828
D970,154 S *	11/2022	Speciale	D2/828
D980,584 S *	3/2023	Tang	D2/828
D996,779 S *	8/2023	Wen	D2/828
D997,492 S *	9/2023	Zhang	D2/828
D998,285 S *	9/2023	Yang	D2/750
D1,000,041 S *	10/2023	Pribyl	D2/828
D1,003,001 S *	10/2023	Yang	D2/828
D1,003,002 S *	10/2023	Yang	D2/828

* cited by examiner

Primary Examiner — Michelle E. Wilson

Assistant Examiner — Clese Moore, Jr.

(74) *Attorney, Agent, or Firm* — Che-Yang Chen; Law Office of Michael Chen

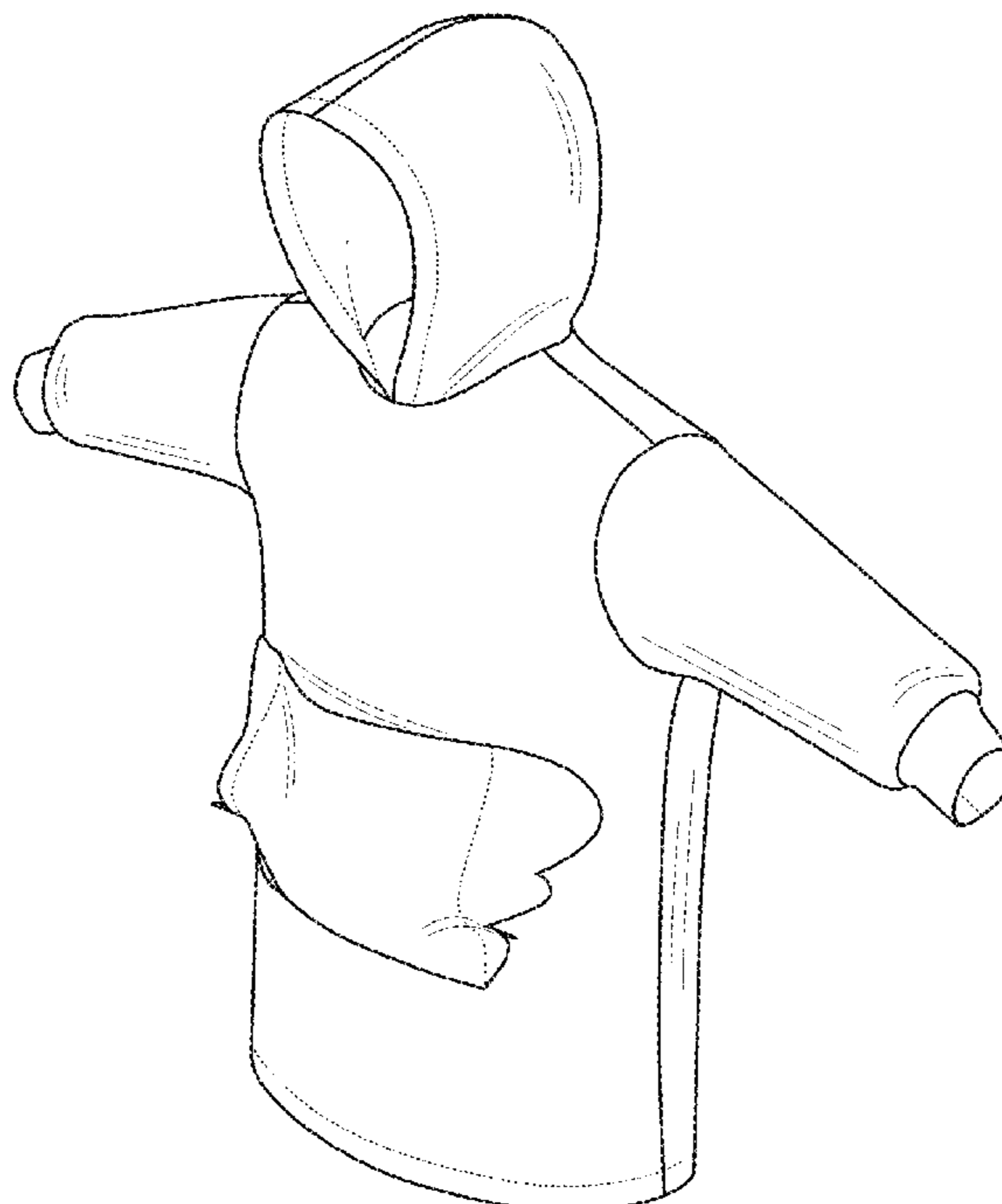
(57) **CLAIM**

The ornamental design for a wearable blanket with wing pockets, as shown and described.

DESCRIPTION

FIG. 1 is a perspective view of the wearable blanket with wing pockets showing my new design; FIG. 2 is a front elevational view thereof; FIG. 3 is a rear elevational view thereof; FIG. 4 is a left side elevational view thereof; FIG. 5 is a right side elevational view thereof; FIG. 6 is a top plan view thereof; and, FIG. 7 is a bottom plan view thereof. The broken lines in the figures illustrate portions that form no part of the claimed design.

1 Claim, 7 Drawing Sheets



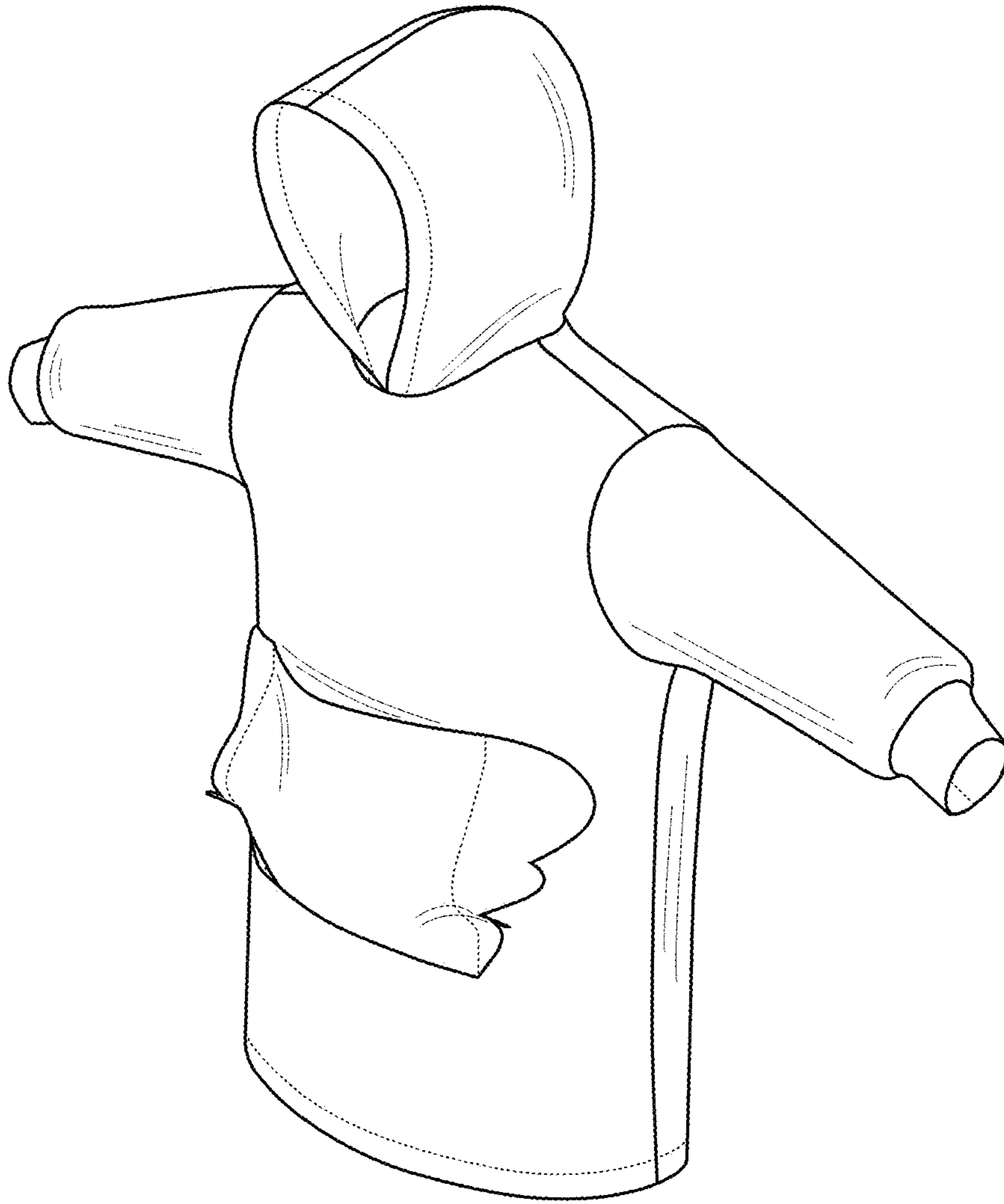


FIG. 1

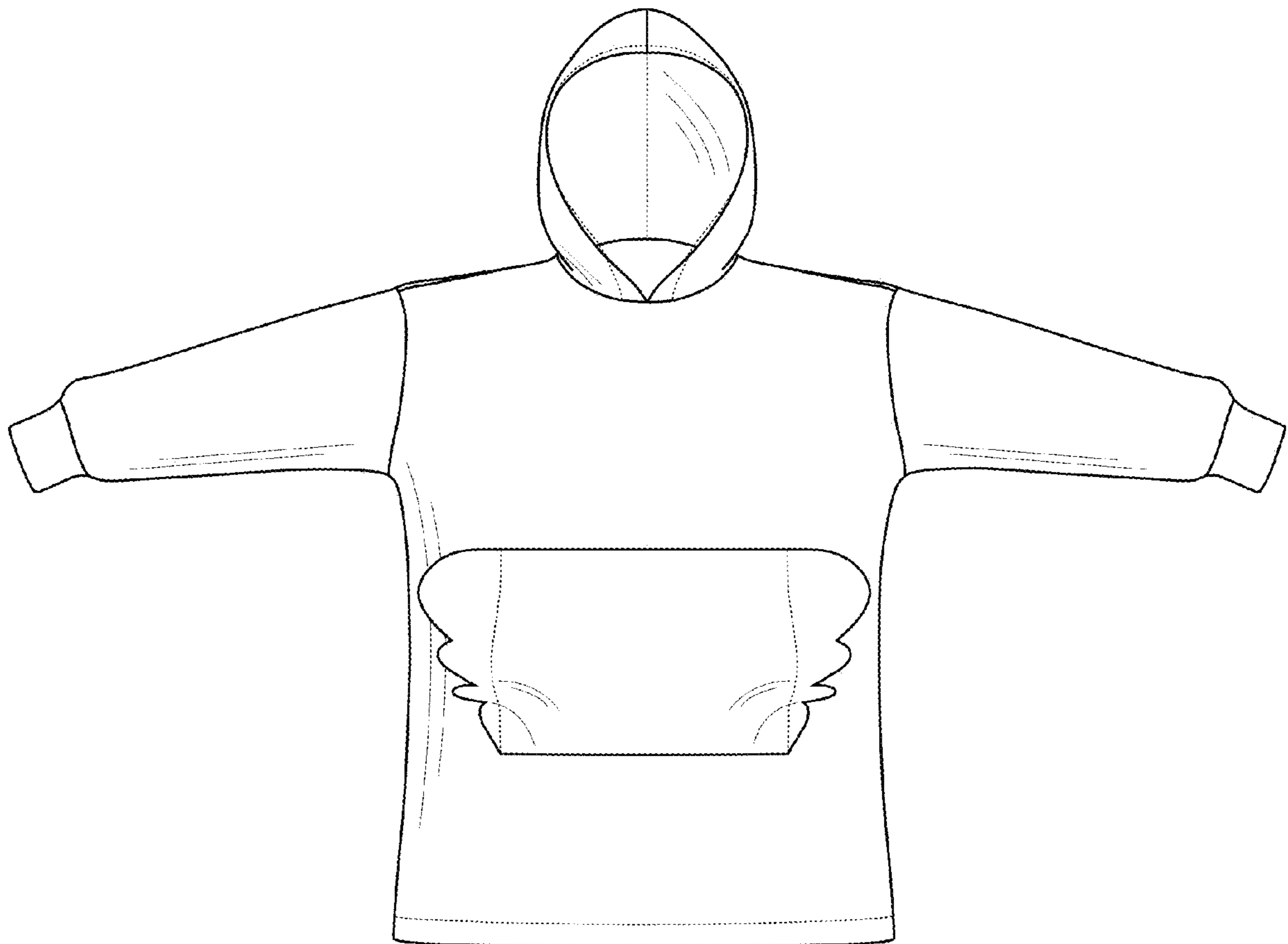


FIG. 2

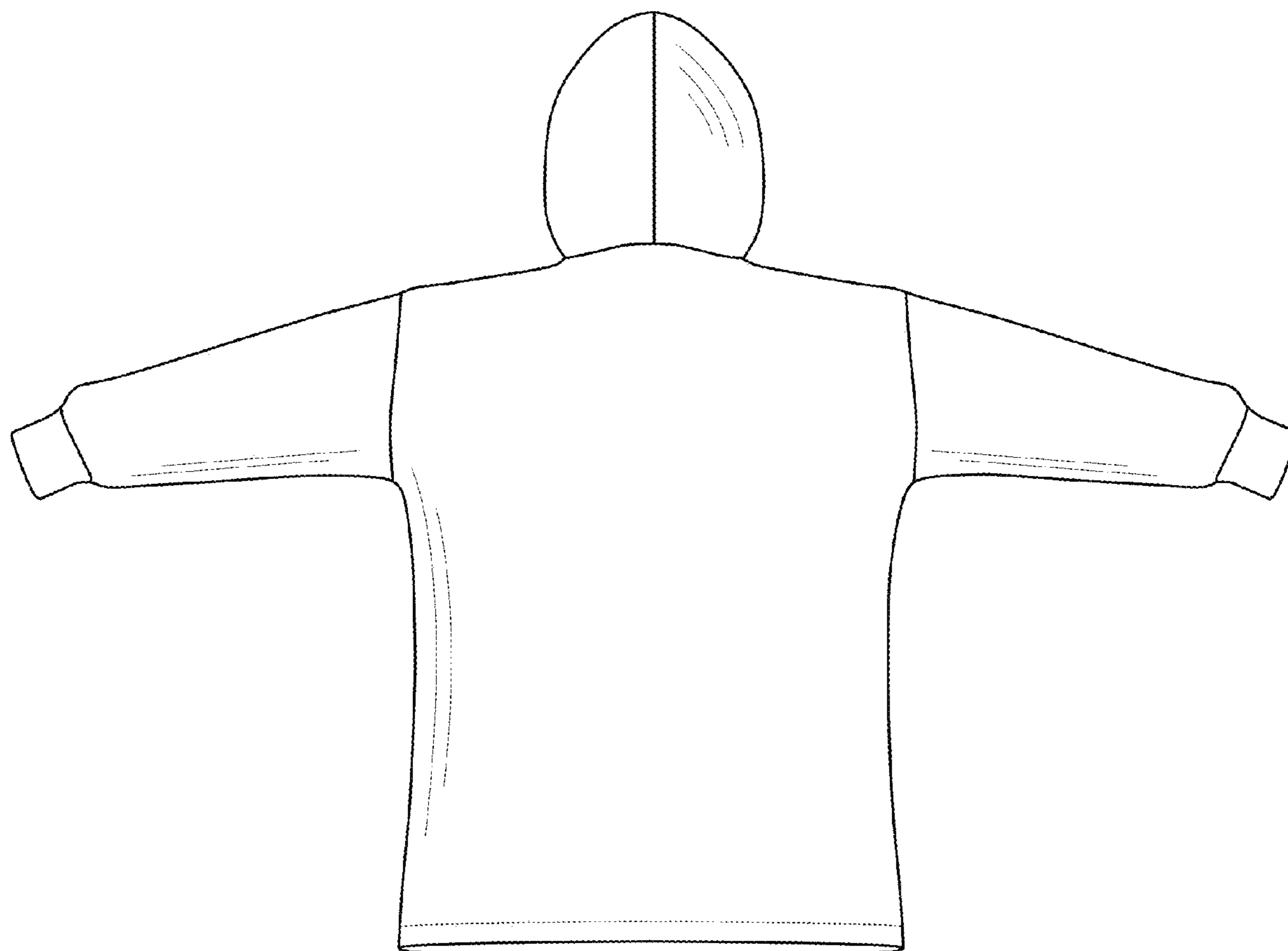


FIG. 3

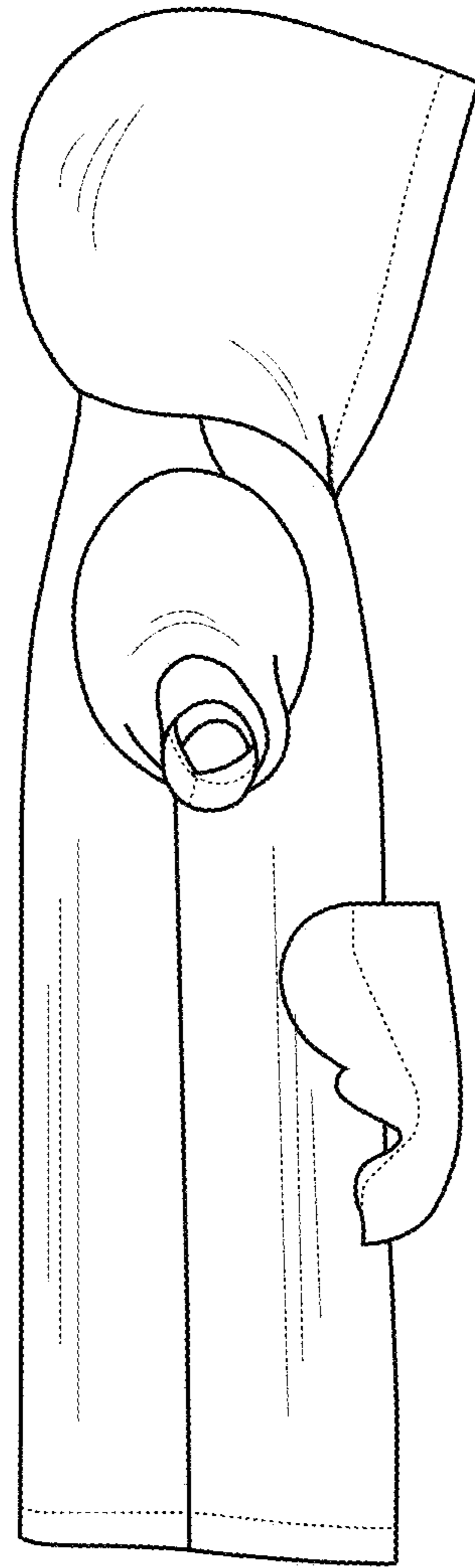


FIG. 4

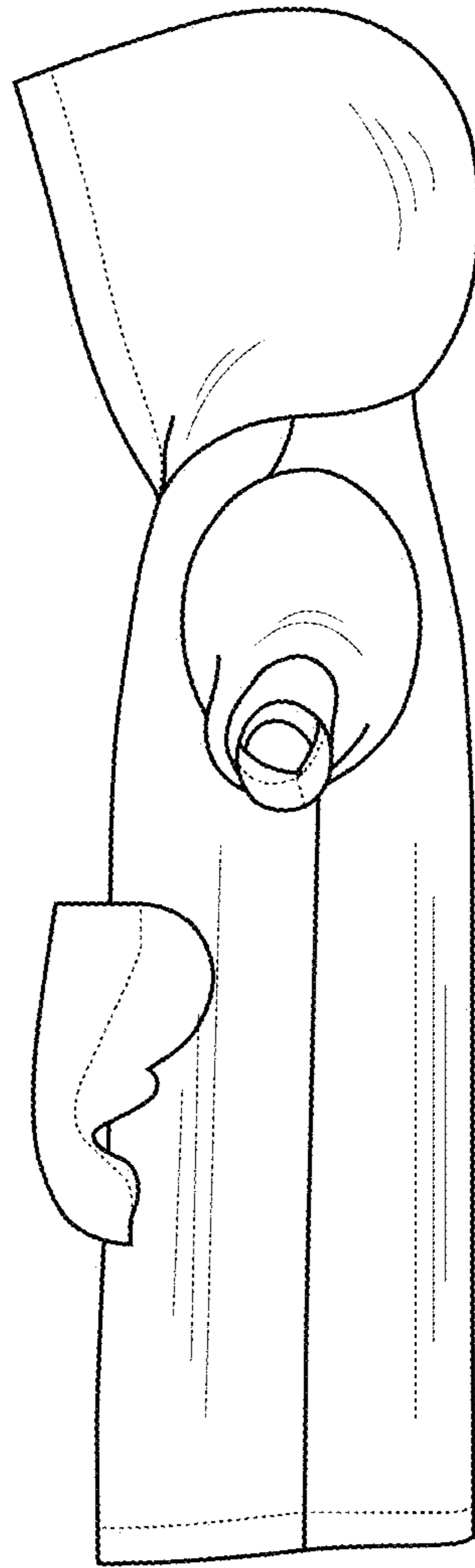


FIG. 5

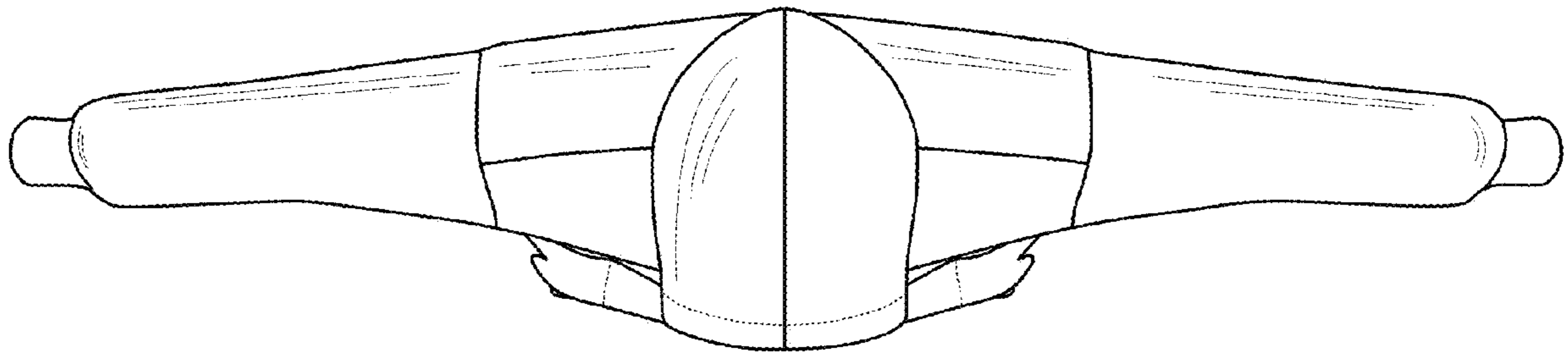


FIG. 6

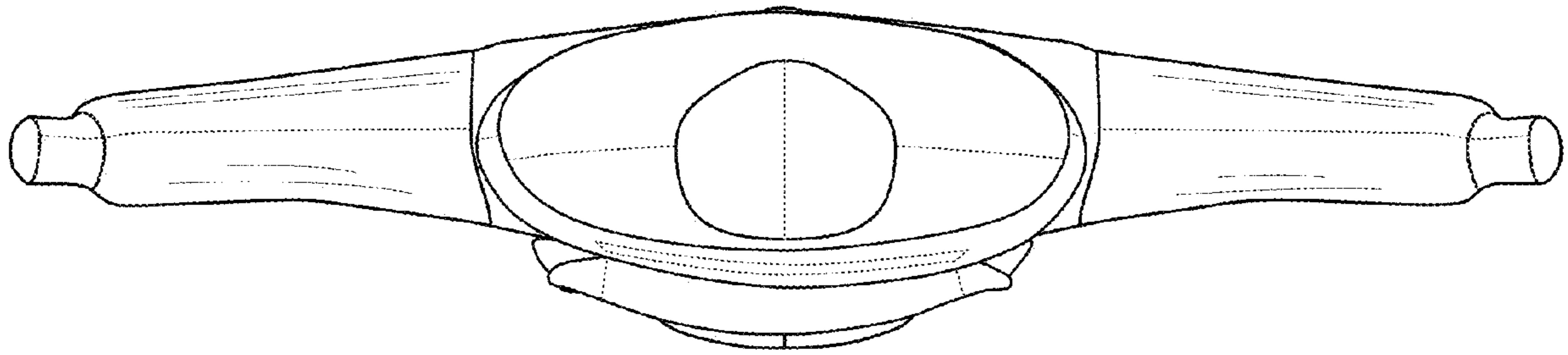


FIG. 7