



US0D1026367S

(12) **United States Design Patent**
Bruneel

(10) **Patent No.: US D1,026,367 S**
(45) **Date of Patent: ** May 7, 2024**

(54) **ELECTRIC POOL CLEANER**

FOREIGN PATENT DOCUMENTS

(71) Applicant: **Kokido Development Limited,**
Kowloon (HK)

CN 306612765 * 6/2021

(72) Inventor: **Jean Julien Bruneel,** Kowloon (HK)

OTHER PUBLICATIONS

(**) Term: **15 Years**

Voltera 105 Pro Extra Wide Heavy-Duty Rechargeable Pool Vacuum (online), dated Dec. 7, 2021. Retrieved from Internet Aug. 15, 2023, URL: <https://web.archive.org/web/20211207215058/https://poolhk.com/products/voltera-105-extra-wide-heavy-duty-rechargeable-pool-vacuum> (1 page) (Year: 2021).*

(21) Appl. No.: **29/779,718**

(22) Filed: **Apr. 20, 2021**

(51) **LOC (14) Cl. 15-05**

(52) **U.S. Cl.**

USPC **D32/21**

(58) **Field of Classification Search**

USPC D32/15, 17-21, 23, 24, 31-34
CPC . A47L 11/04; A47L 11/22; E04H 4/16; E04H
4/1618; E04H 4/1636; E04H 4/169

See application file for complete search history.

* cited by examiner

Primary Examiner — Kimberly Barnes

(57) **CLAIM**

The ornamental design for an electric pool cleaner, as shown and described.

(56) **References Cited**

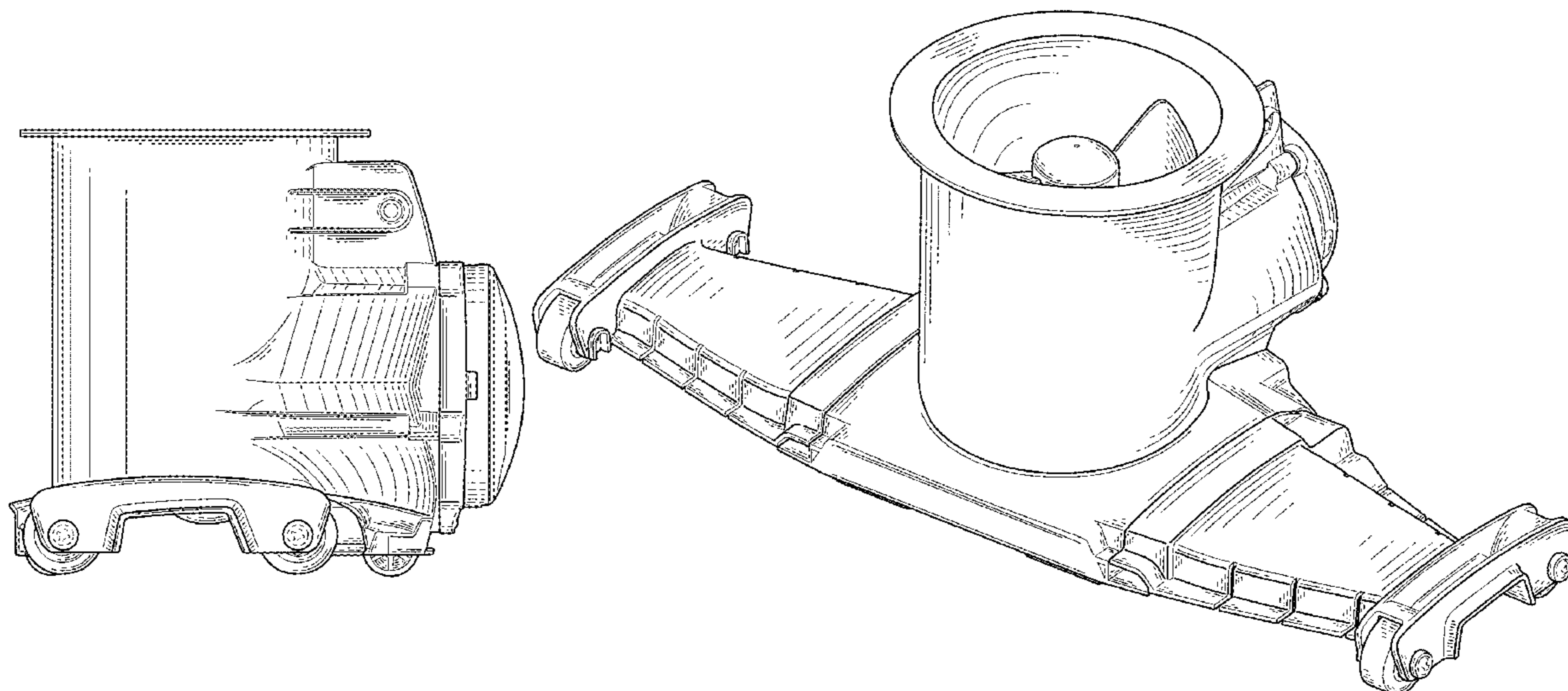
DESCRIPTION

U.S. PATENT DOCUMENTS

3,961,393	A *	6/1976	Pansini	E04H 4/1618
					15/1.7
5,768,734	A *	6/1998	Dietrich	E04H 4/1618
					210/167.17
6,539,573	B1 *	4/2003	Caccavella	E04H 4/1654
					15/1.7
D490,195	S *	5/2004	Rod	D32/21
D863,704	S *	10/2019	Bruneel	D32/33
11,339,579	B1 *	5/2022	Stearns	E04H 4/1654
11,519,192	B2 *	12/2022	Bruneel	E04H 4/1672
2004/0079690	A1 *	4/2004	Erlich	E04H 4/1636
					210/167.16
2011/0203980	A1 *	8/2011	Dietrich	E04H 4/1636
					210/167.17
2020/0263444	A1 *	8/2020	Dietrich	E04H 4/1654
2021/0164252	A1 *	6/2021	Bruneel	E04H 4/1636
2022/0136518	A1 *	5/2022	Dietrich	F04D 29/181
					416/54
2023/0160227	A1 *	5/2023	Bruneel	B01D 27/04
					15/1.7

FIG. 1 is a front view of an electric pool cleaner of the present design;
FIG. 2 is a back view of the electric pool cleaner of the present design;
FIG. 3 is a left view of the electric pool cleaner of the present design;
FIG. 4 is a right side view of the electric pool cleaner of the present design;
FIG. 5 is a bottom view of the electric pool cleaner of the present design;
FIG. 6 is a top view of the electric pool cleaner of the present design; and,
FIG. 7 is a perspective view of the electric pool cleaner of the present design.
The dashed lines depict portions of the electric pool cleaner that form no part of the claimed design.

1 Claim, 7 Drawing Sheets



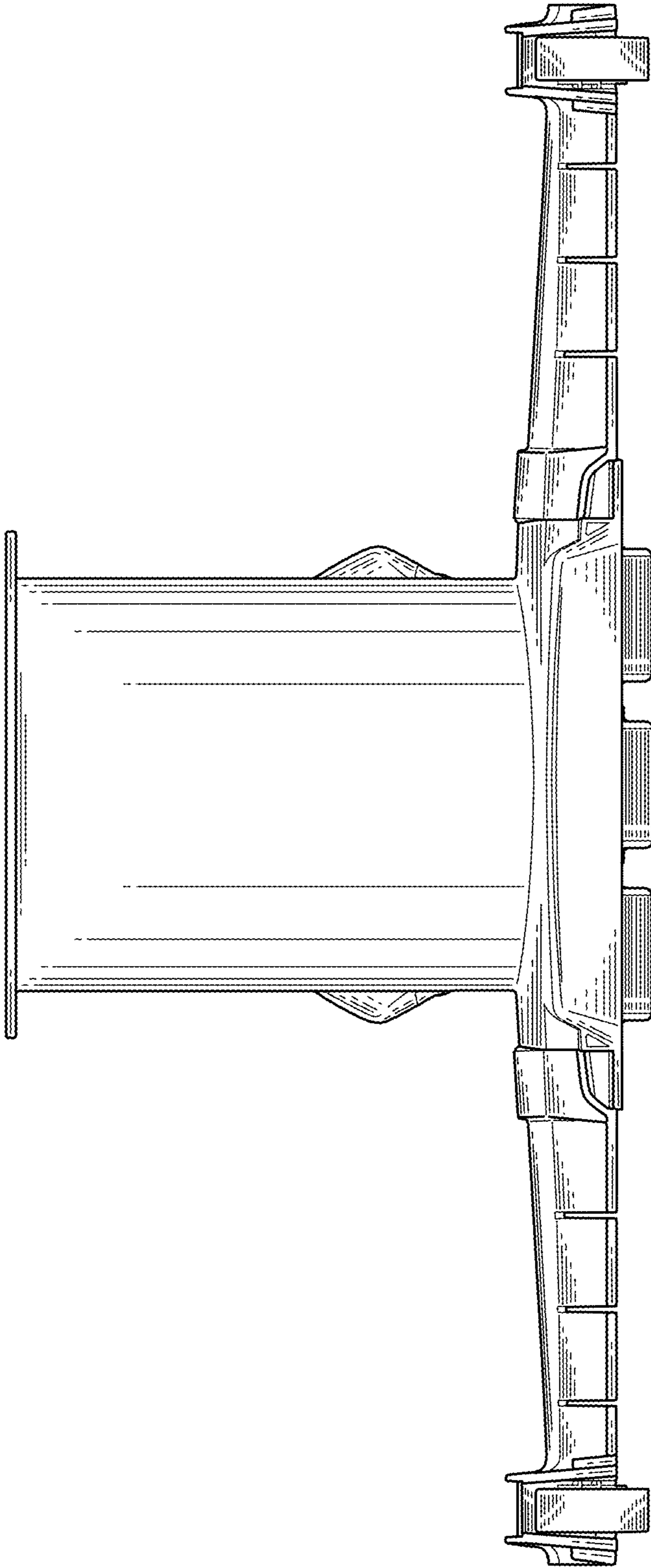


FIG. 1

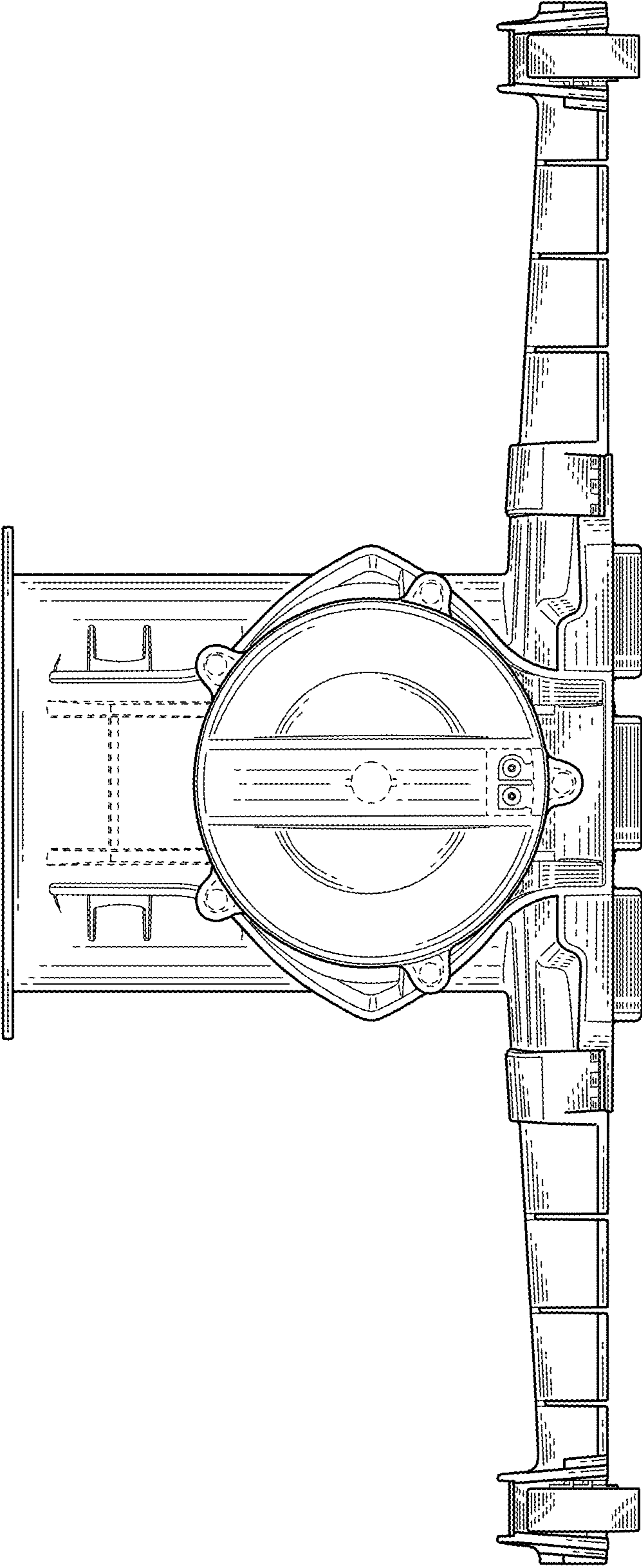


FIG. 2

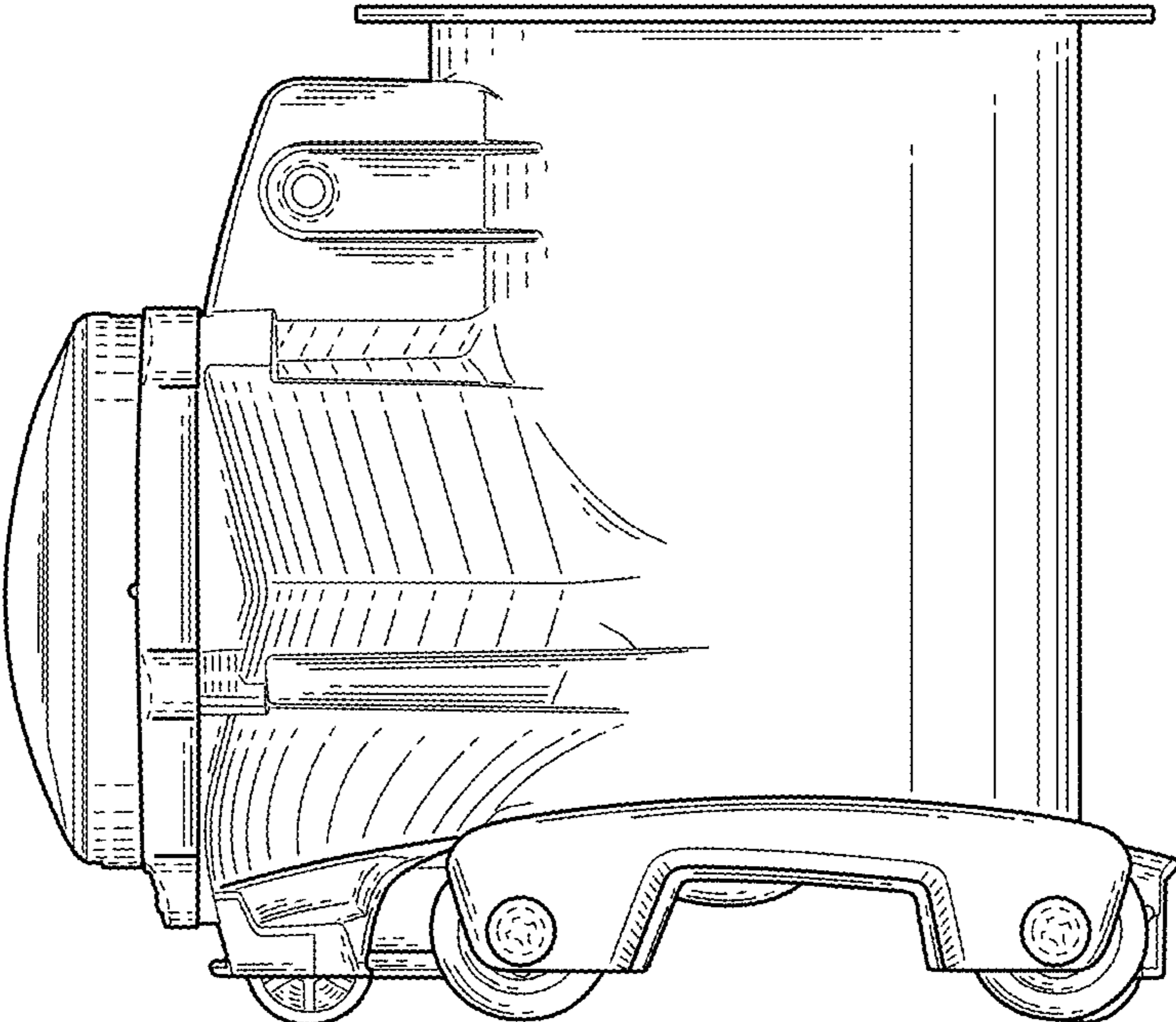


FIG. 3

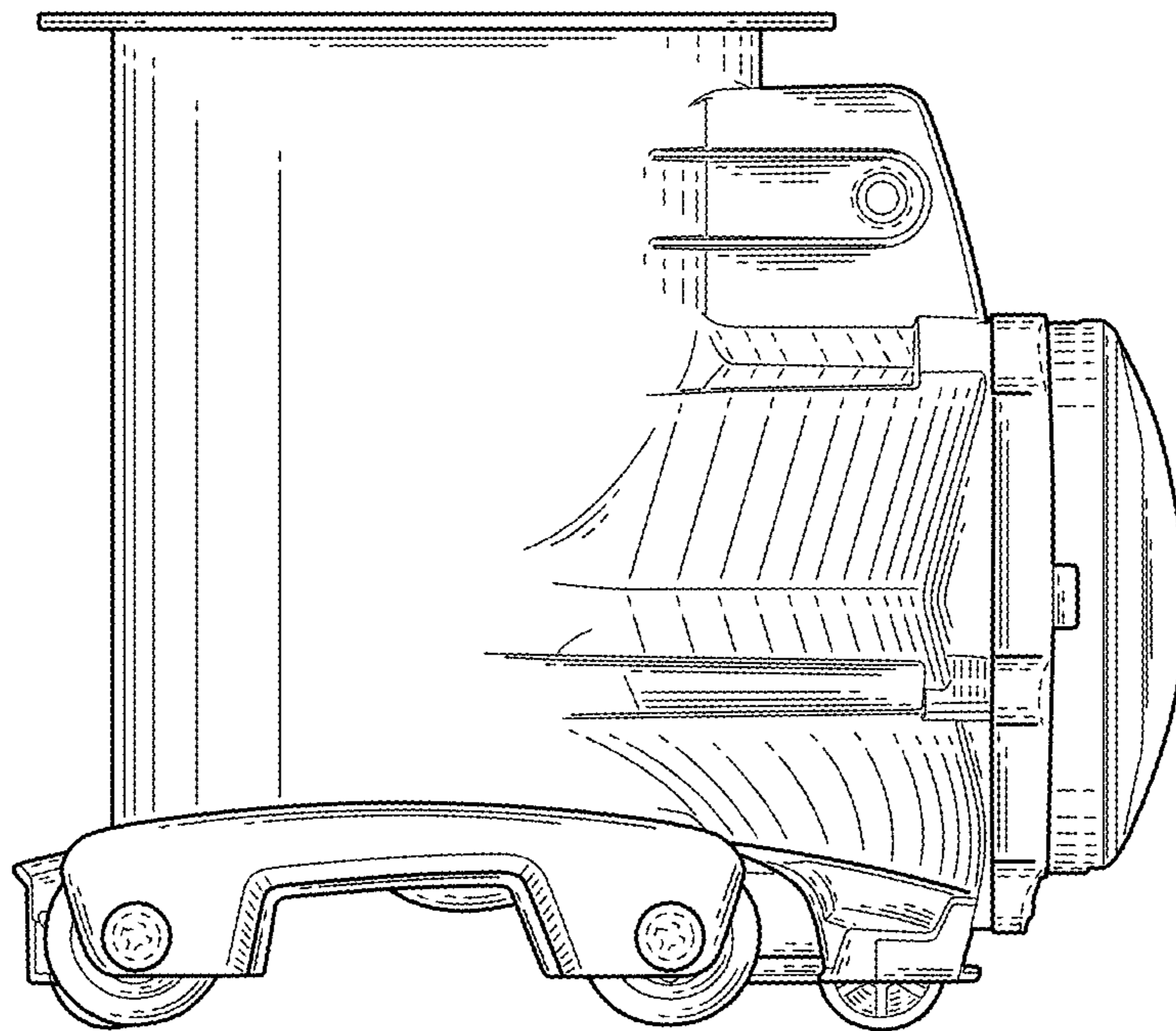


FIG. 4

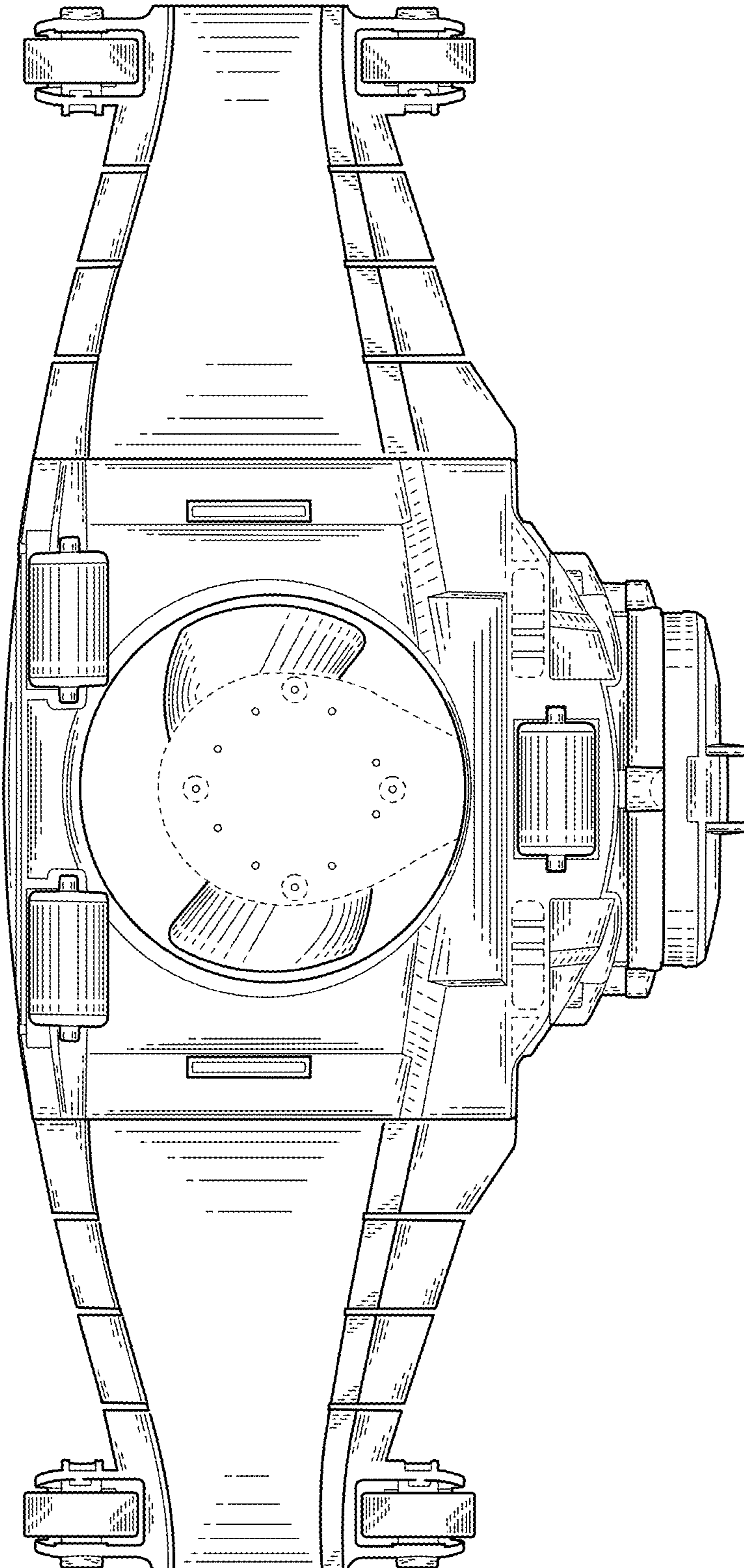


FIG. 5

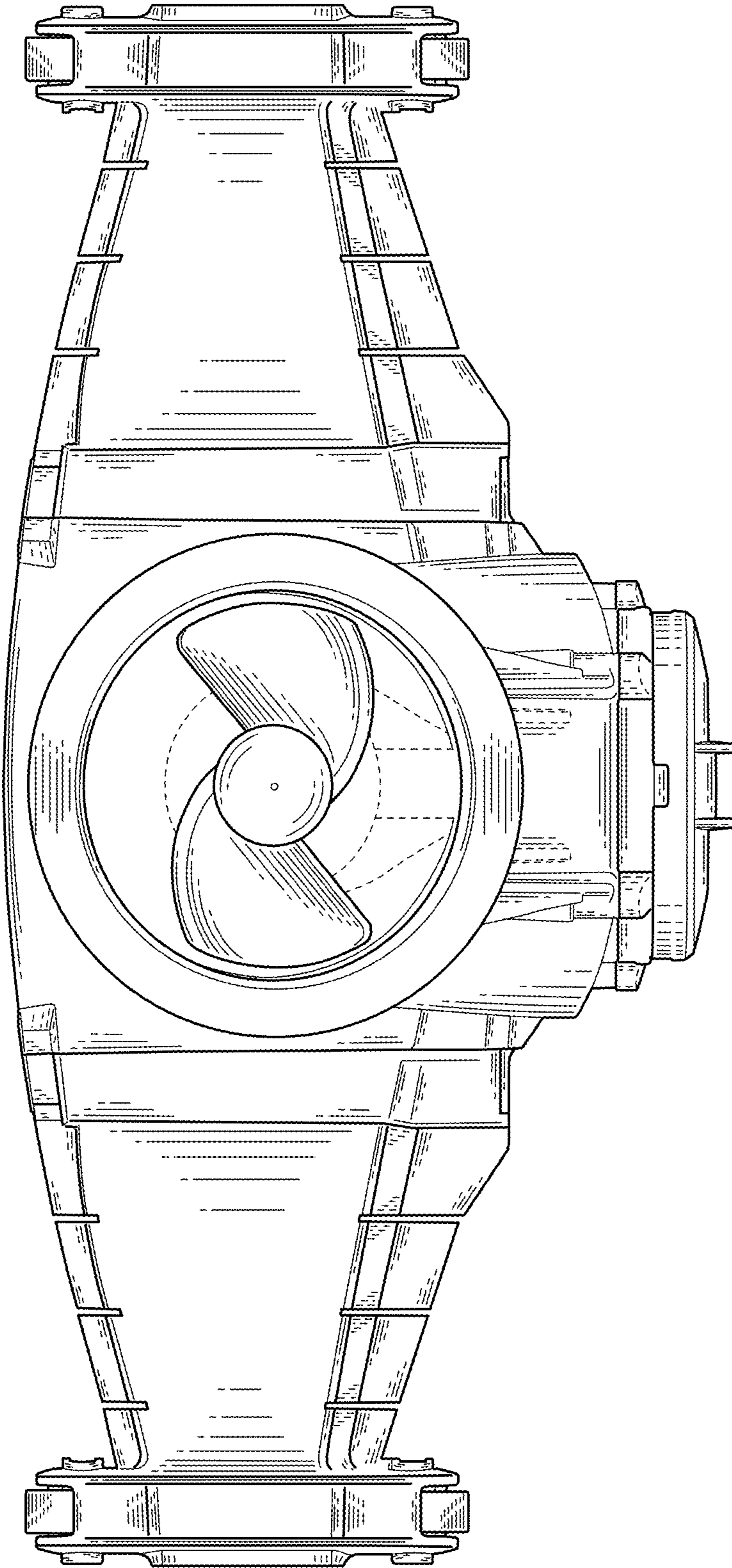


FIG. 6

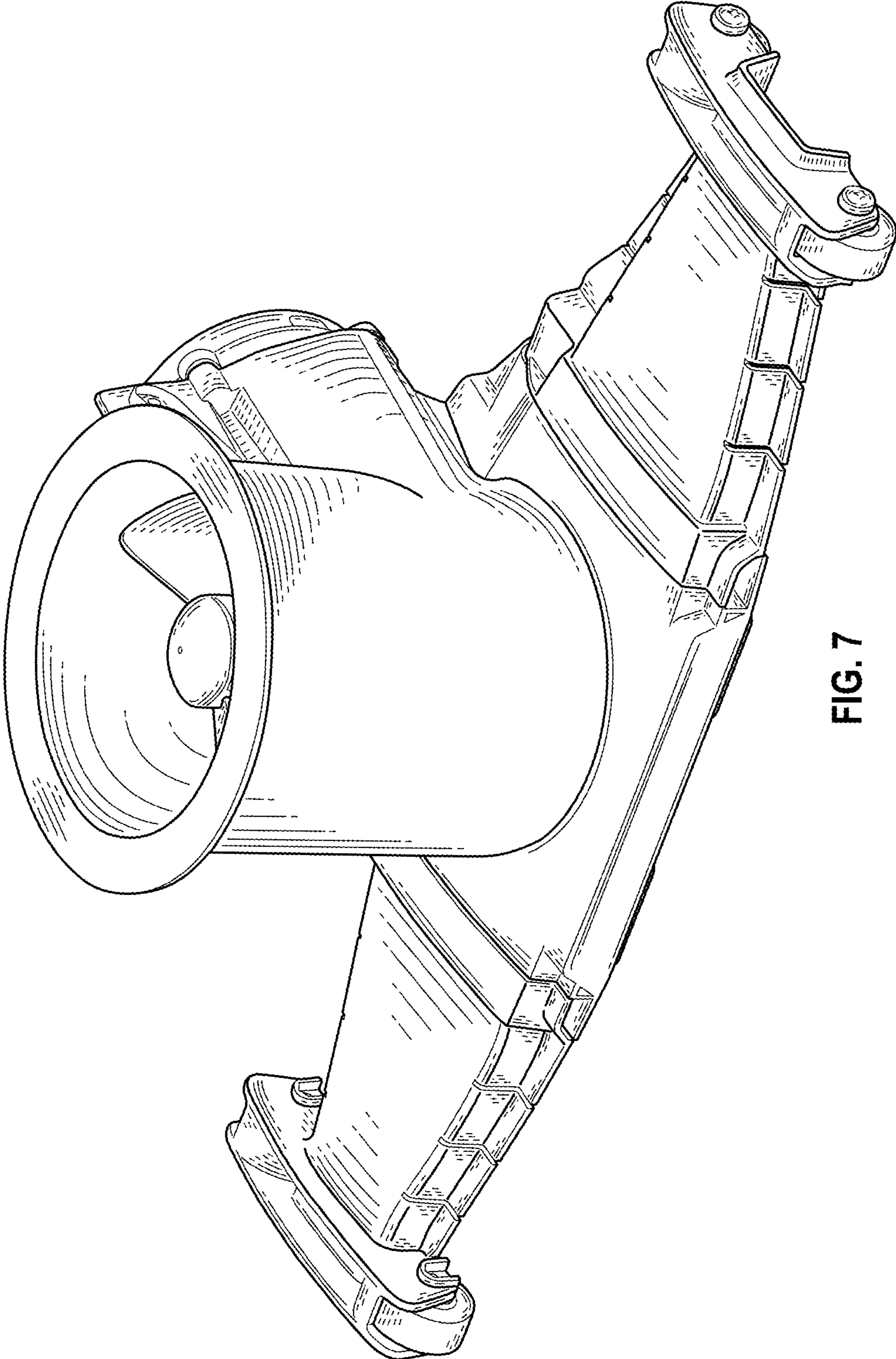


FIG. 7