



US0D1026359S

(12) **United States Design Patent** (10) **Patent No.:** **US D1,026,359 S**
Yu (45) **Date of Patent:** **** May 7, 2024**

(54) **DOG TRAINING DEVICE SET**

(71) Applicant: **Shenzhen Diai Intelligence Technology Co., Ltd, ShenZhen (CN)**

(72) Inventor: **Shao jia Yu, Guangdong (CN)**

(**) Term: **15 Years**

(21) Appl. No.: **35/516,994**

(22) Filed: **Jan. 4, 2023**

(80) **Hague Agreement Data**

Int. Filing Date: **Jan. 4, 2023**

Int. Reg. No.: **DM/228298**

Int. Reg. Date: **Jan. 4, 2023**

Int. Reg. Pub. Date: **Apr. 28, 2023**

(30) **Foreign Application Priority Data**

Sep. 13, 2022 (CN) 202230602952.6

(51) **LOC (14) Cl.** **30-99**

(52) **U.S. Cl.**
USPC **D30/199; D10/104.1**

(58) **Field of Classification Search**

USPC D30/151-155, 144, 199, 160;
119/792-798, 850, 855-859, 863-865,
119/654, 905, 907, 815, 712, 802, 784,
119/769, 760, 776, 862, 908, 860,
119/719-721; 242/381.1-381.2, 385.4,
242/378.3, 376.1, 385.1, 916, 601, 570,
242/405, 404, 371, 223, 170, 388.1,
242/405.2, 377, 381.3, 381.6, 405.3,
242/388.6, 384.7, 382, 396.1, 404.1, 380;
362/108; 33/767, 769, 414; D12/400;
D3/229, 230, 207, 208, 215; 40/1.5, 455,
40/640, 303; 206/63.3, 459.5, 702, 408;
D6/515; D8/358, 360, 347, 360.1, 359,
D8/356, DIG. 1; D24/145, 167, 186, 146,
D24/169; D10/57, 72, 106.1, 104.1,
D10/104.2, 109.2, 70, 97, 98, 78, 65;

D20/28; 224/666, 678; 16/445; 283/74,
283/70; D11/232, 200, 216, 1, 2, 86, 87,
D11/201, 206-210, 212-215, 218;
24/163 K, 122.3, 323, 702, 600.4-600.7,
24/163 R, 169-171, 173, 177-179, 191,
24/194, 195, 197, 200, 303, 616, 635,
24/313, 615, 3, 6, 3 K, 599.2, 96, 221,
24/237, 311, 312, 314, 321, 338, 339,
24/309; 428/3, 4; 54/76, 1, 71; 63/29.1,
63/3; 191/12.2 R, 12.4; D13/154, 153,
D13/137.4, 155, 103, 168; D19/69, 67;
379/438; 446/26; 473/576; D22/140;
174/135; 439/504, 13, 501; D34/33;
188/83, 82.1, 65.1; 254/134.3 FT;
D29/124; D2/627, 624, 633, 625;
132/145, 146, 148; 2/314; 59/79.1;
340/573.3, 573.1, 573, 573.4,

(Continued)

(56) **References Cited**

U.S. PATENT DOCUMENTS

D530,680 S * 10/2006 Fox D13/168
D544,975 S * 6/2007 Lee D26/37

(Continued)

Primary Examiner — Susan Moon Lee

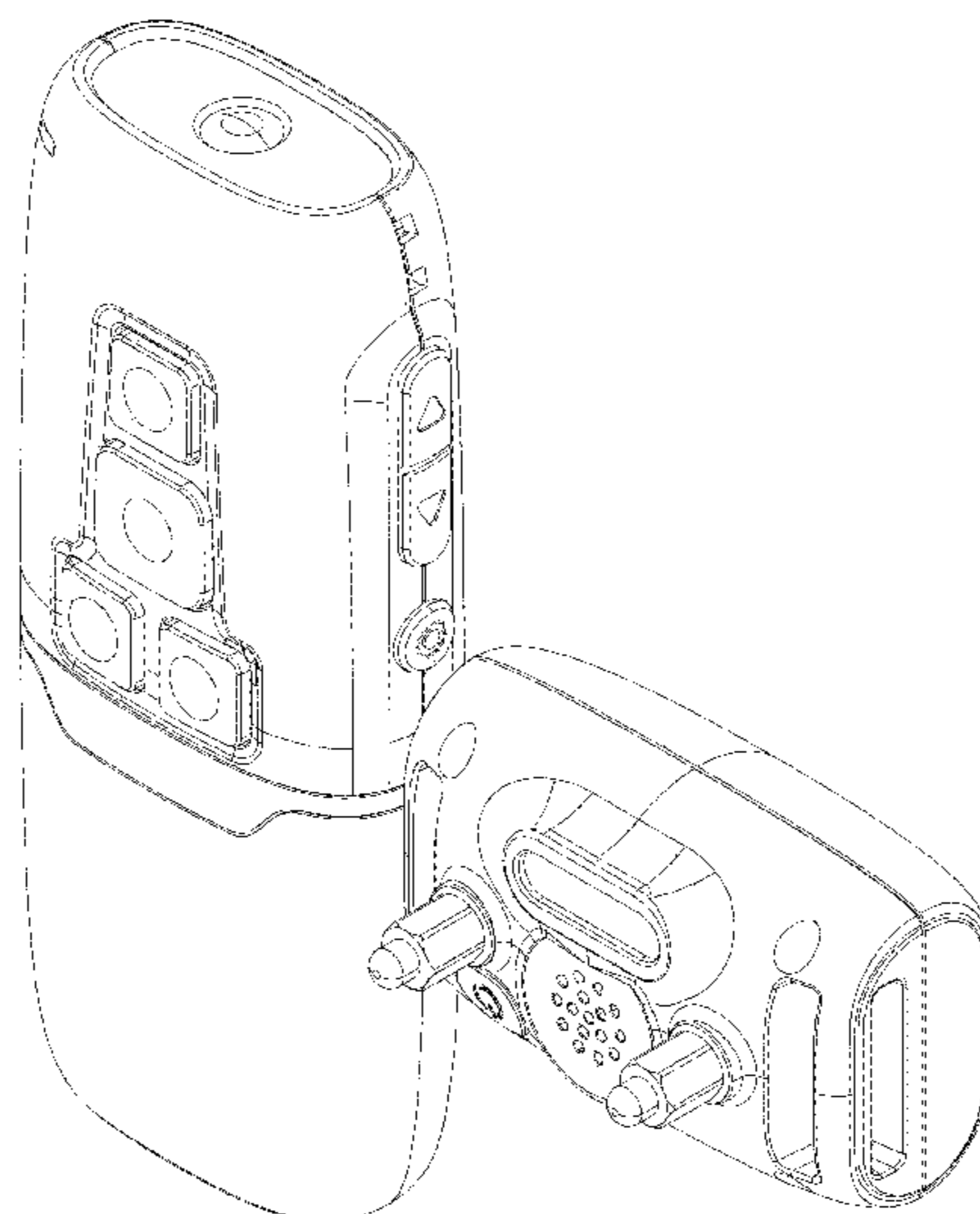
(57) **CLAIM**

The ornamental design for a dog training device set, as shown and described.

DESCRIPTION

1. Dog training device set
FIG. 1.1 is a front perspective view of a dog training device set, showing a new design; FIG. 1.2 is a rear perspective view thereof; FIG. 1.3 is a front view thereof; FIG. 1.4 is a rear view thereof; FIG. 1.5 is a left side view thereof; FIG. 1.6 is a right side view thereof; FIG. 1.7 is a top view thereof; and, FIG. 1.8 is a bottom view thereof.

1 Claim, 8 Drawing Sheets



(58) **Field of Classification Search**

USPC 340/539.13–539.19; 343/895;
 278/8 AES; 231/7; 361/232; D14/344,
 D14/341, 137, 155, 496, 203.5, 203.3,
 D14/144, 218, 188, 216, 192;
 342/357.51, 357.57, 357.52, 357.55;
 455/100, 352, 456.1, 550.1; 315/291
 CPC A01K 15/021; A01K 15/02; A01K 15/022;
 A01K 15/023; A01K 15/029; A01K
 15/04; A01K 15/00; A01K 15/006; A01K
 12/022; A01K 27/009; A01K 27/00;
 A01K 27/001; A01K 27/006–008; A01K
 29/005; A01K 29/00; A61B 5/0002–0028;
 A61B 5/681; A61B 5/6822; A61B
 5/6824; A61B 5/6829; G01S 5/0294
 See application file for complete search history.

(56) **References Cited**

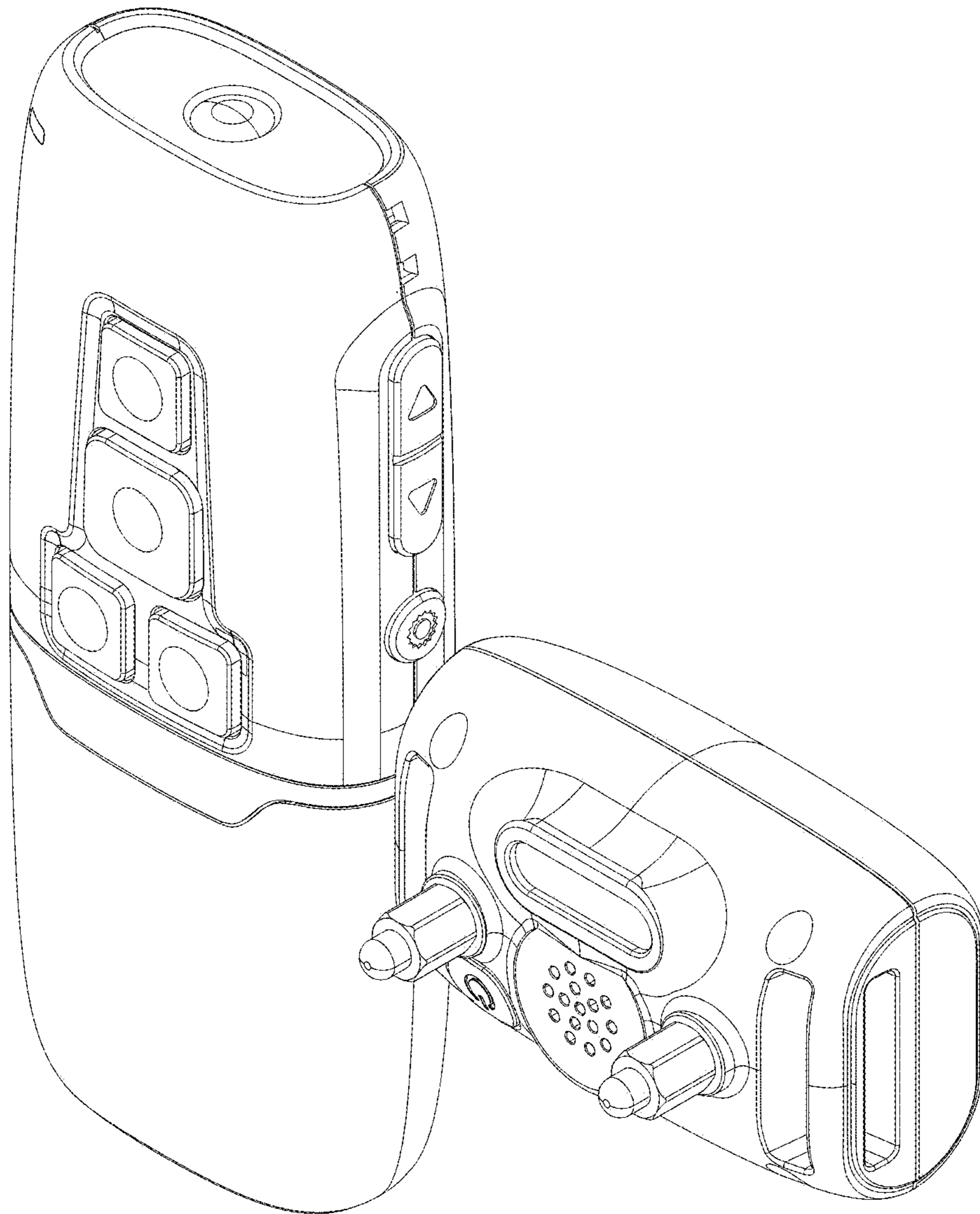
U.S. PATENT DOCUMENTS

D631,552 S * 1/2011 Kasabach D24/186
 D710,228 S * 8/2014 Burke D10/104.1
 D782,985 S * 4/2017 Mishan D13/168
 D790,546 S * 6/2017 Zhou D14/426
 D797,686 S * 9/2017 McRoberts D13/168
 D817,557 S * 5/2018 Liu D30/152
 D838,923 S * 1/2019 Ni D10/104.1
 D870,057 S * 12/2019 Gassner D13/168

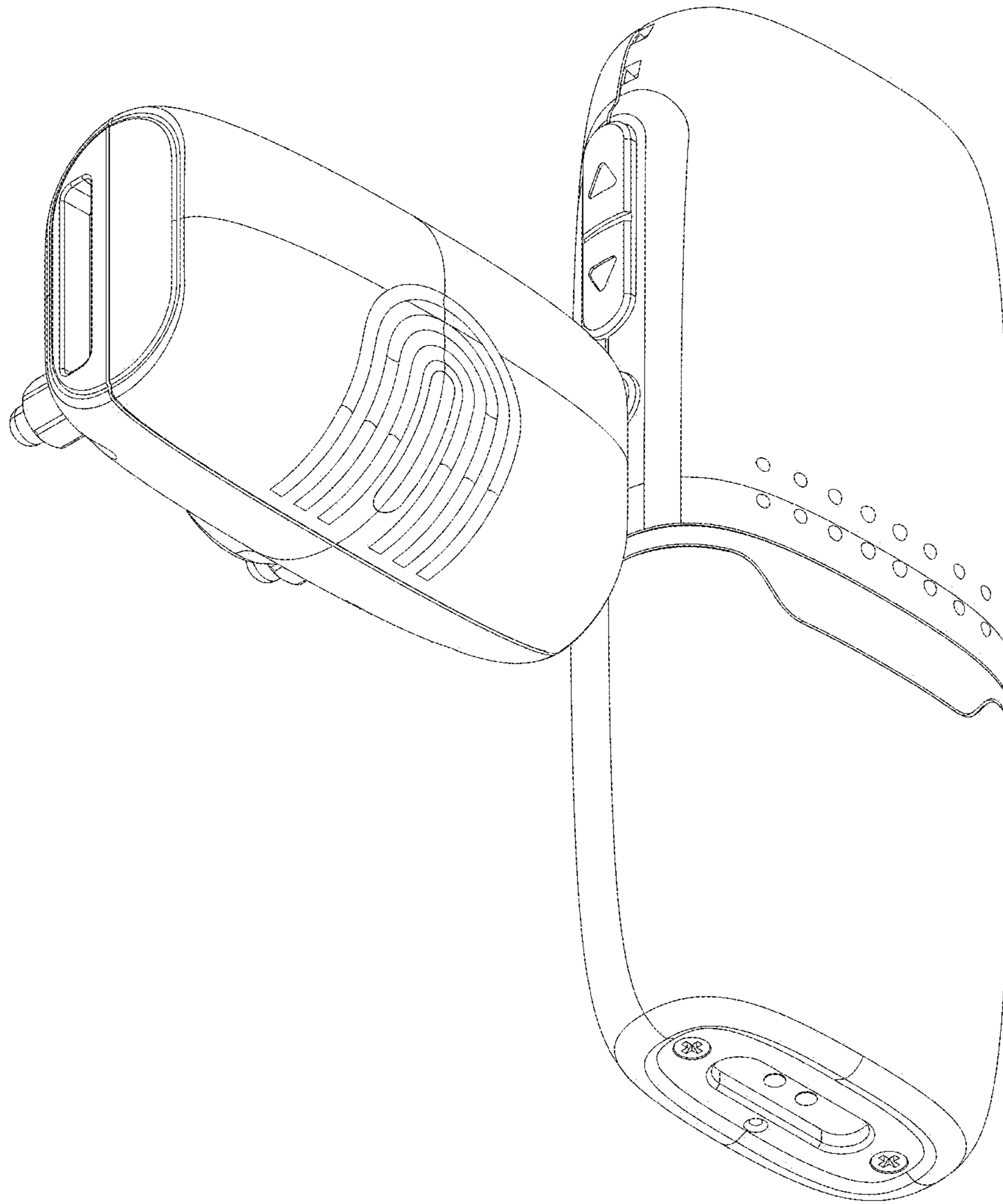
D883,829 S * 5/2020 Nytko D10/104.1
 D888,052 S * 6/2020 Manoharan D14/357
 D889,758 S * 7/2020 Van Curen D10/104.1
 D896,339 S * 9/2020 Zhuo D22/120
 D897,614 S * 9/2020 Tang D30/199
 D907,603 S * 1/2021 Cheng D14/218
 D917,115 S * 4/2021 Tang D10/104.1
 D924,090 S * 7/2021 Xu D10/116.1
 D947,465 S * 3/2022 Yi D30/152
 D948,814 S * 4/2022 Jin D10/104.1
 D948,815 S * 4/2022 Jin D10/104.1
 D952,961 S * 5/2022 Li D30/152
 D959,313 S * 8/2022 Cran D10/119.3
 D964,668 S * 9/2022 Jia D10/104.1
 D981,660 S * 3/2023 Li D30/199
 D985,862 S * 5/2023 Wen D10/104.1
 D985,863 S * 5/2023 Wen D10/104.1
 D988,166 S * 6/2023 Koh D10/119.3
 D993,553 S * 7/2023 So D10/104.1
 D998,261 S * 9/2023 Wen D10/104.1
 D1,000,019 S * 9/2023 Li D10/104.1
 D1,000,021 S * 9/2023 Xun D10/104.1
 D1,001,398 S * 10/2023 Lan D10/104.1
 D1,002,129 S * 10/2023 Xiong D10/104.1
 D1,004,864 S * 11/2023 Yu D30/199
 D1,009,209 S * 12/2023 Li D10/104.1
 2009/0120373 A1 * 5/2009 Wetzel A01K 15/021
 119/719
 2017/0208775 A1 * 7/2017 Van Curen A01K 15/022
 2022/0167608 A1 * 6/2022 Chen A01M 29/10

* cited by examiner

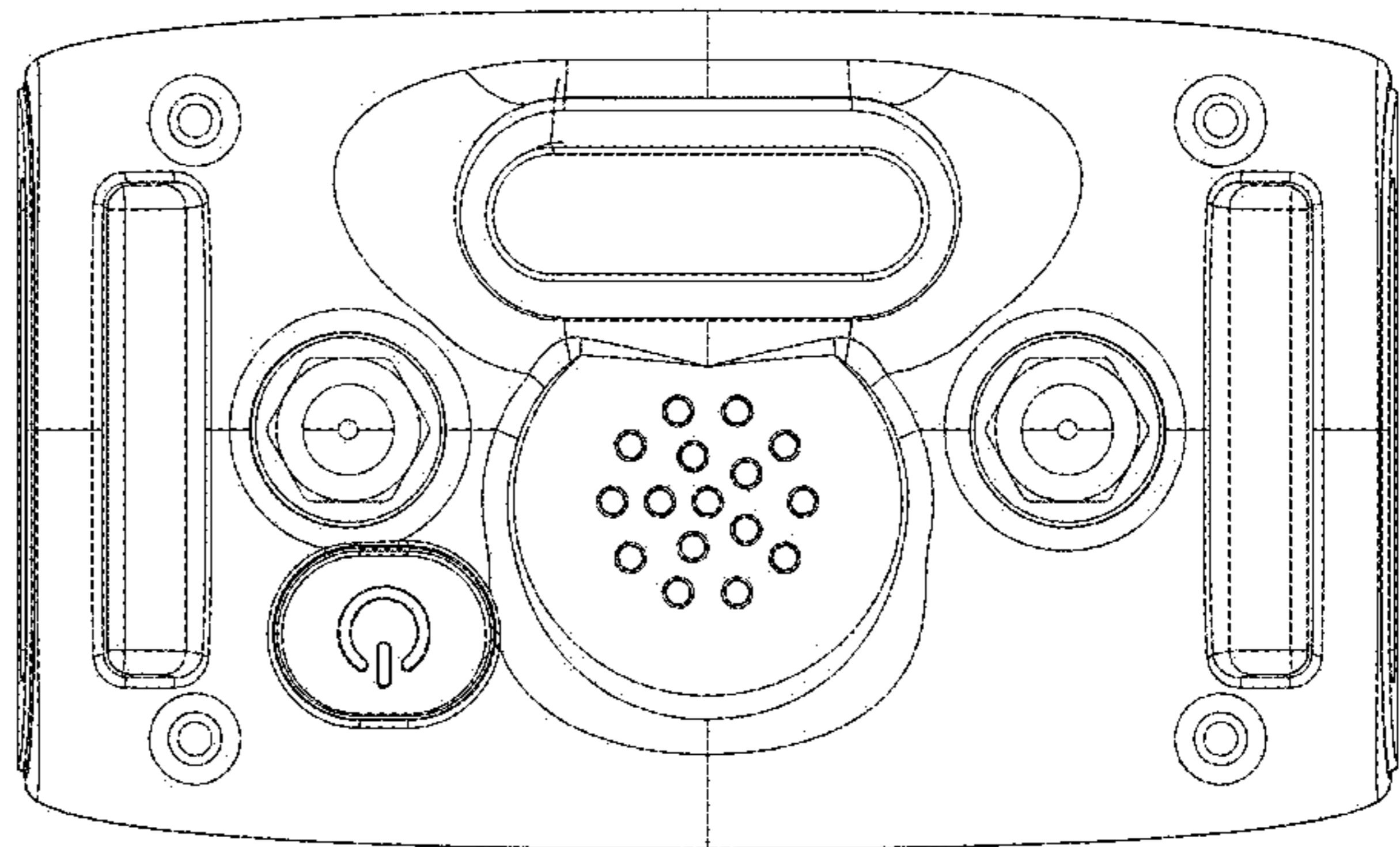
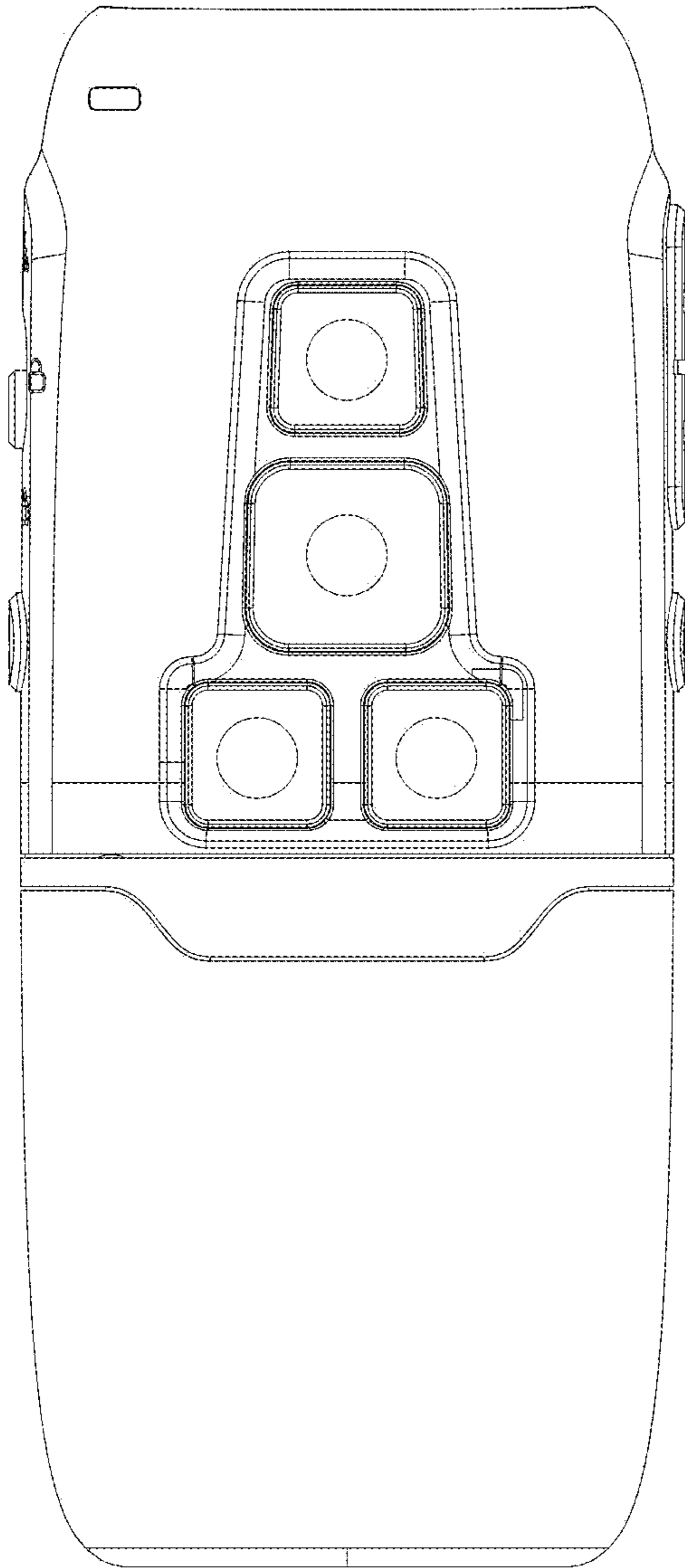
1.1



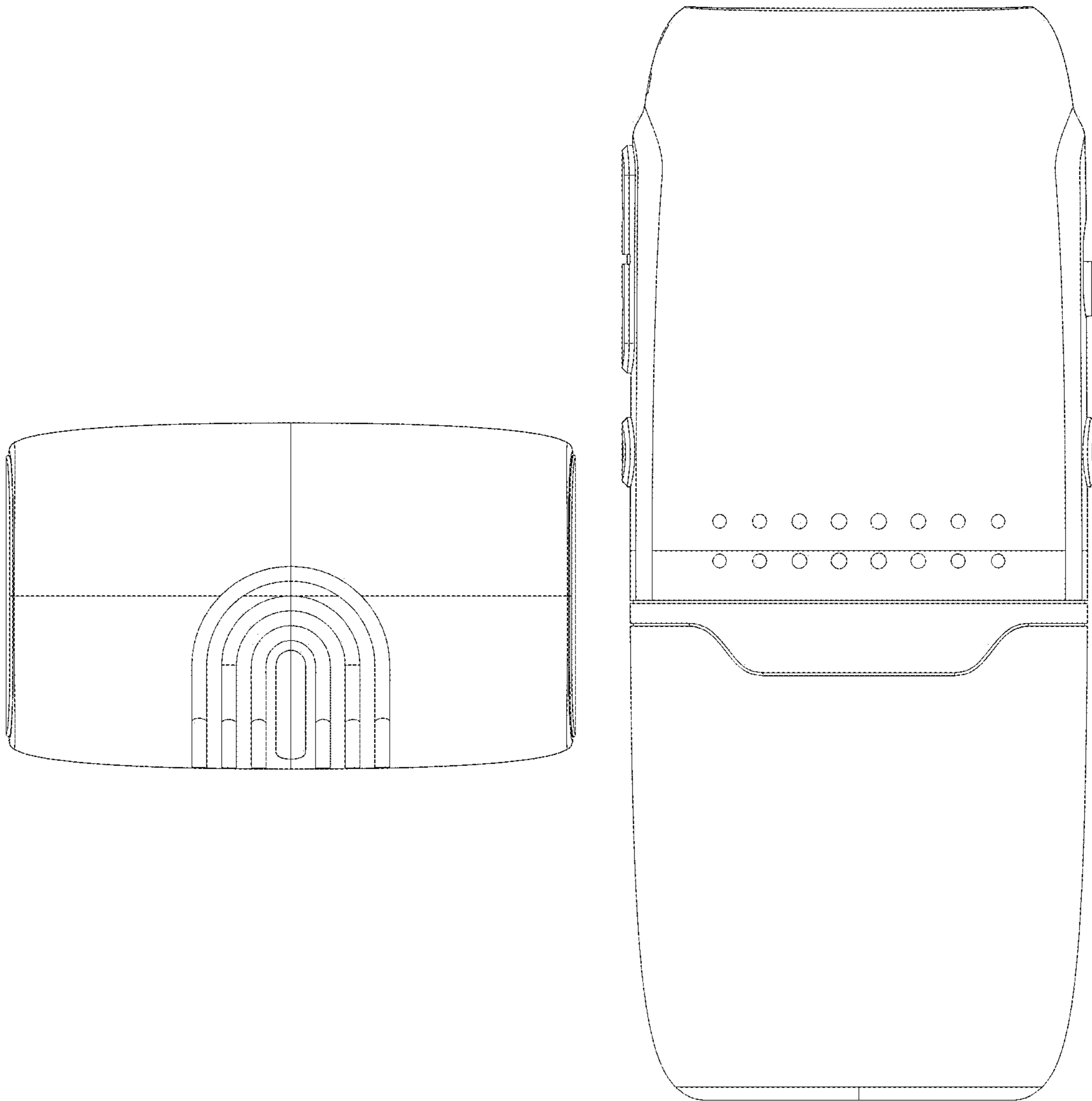
1.2



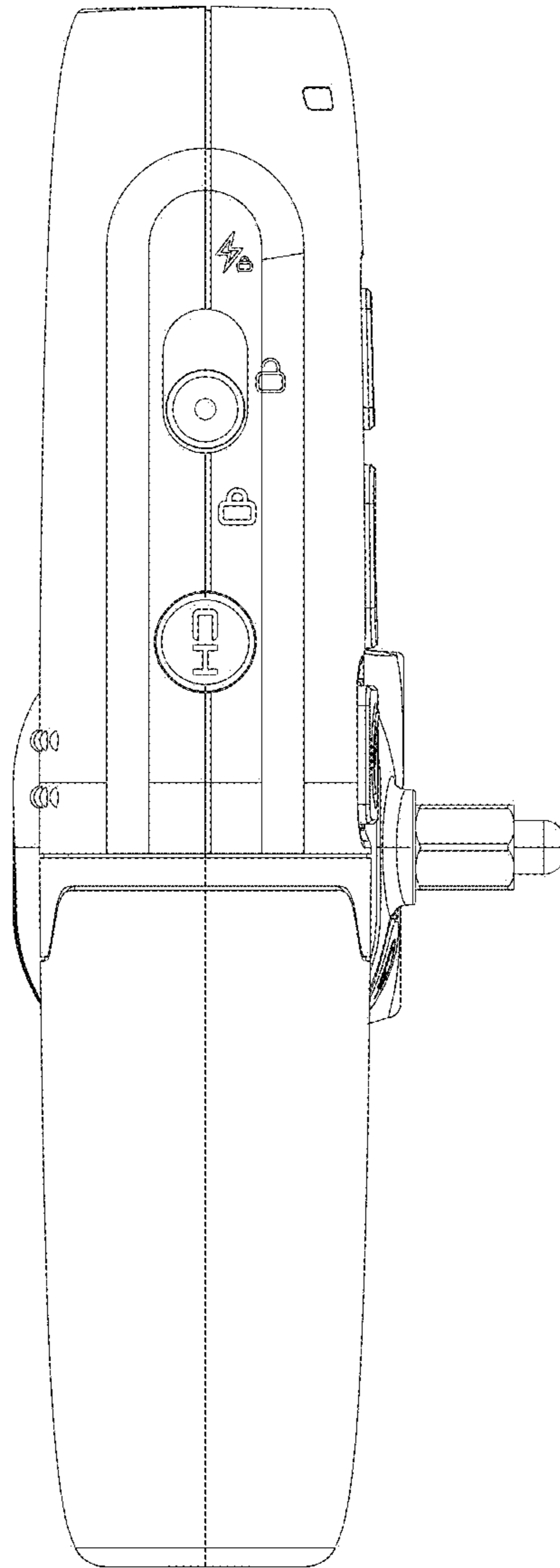
1.3



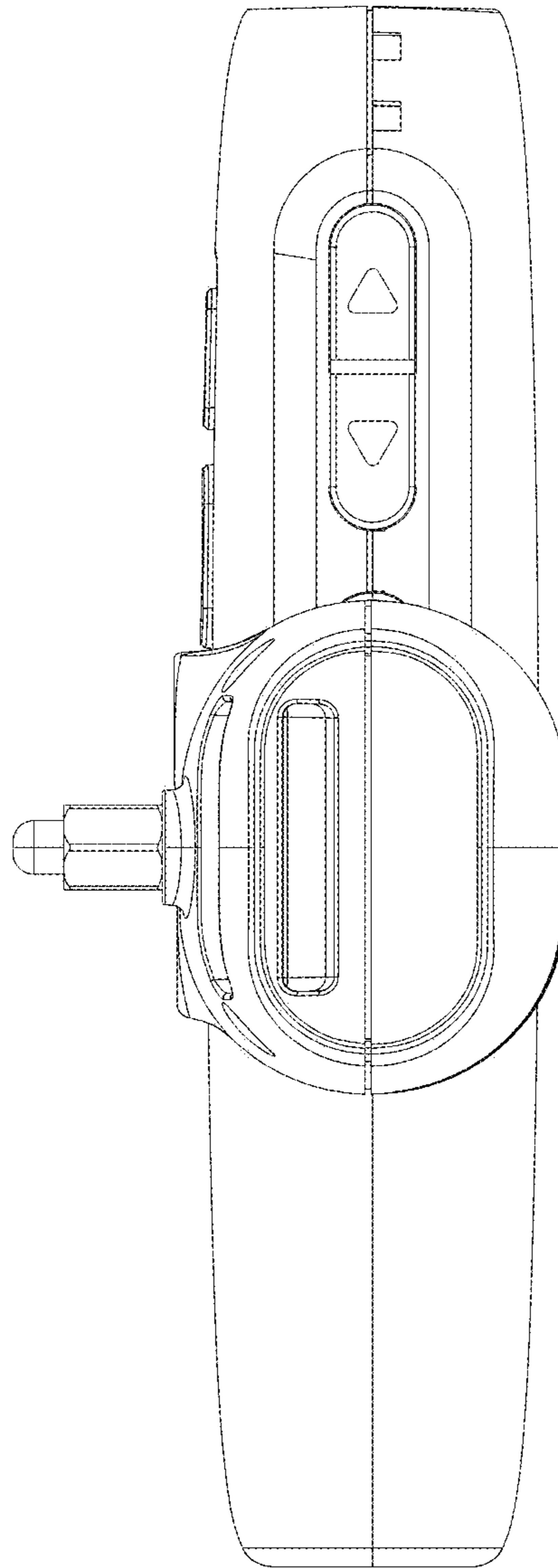
1.4

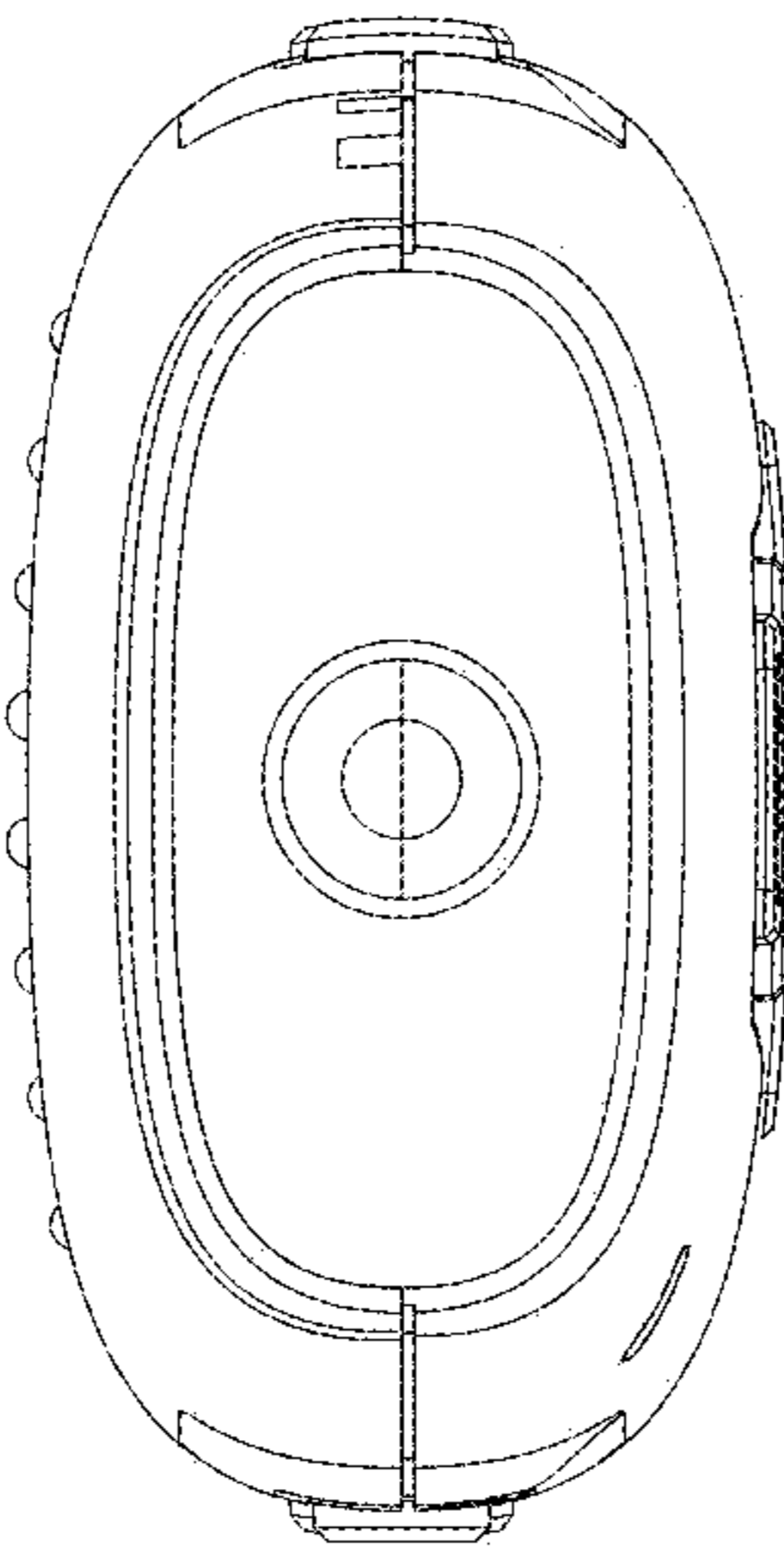
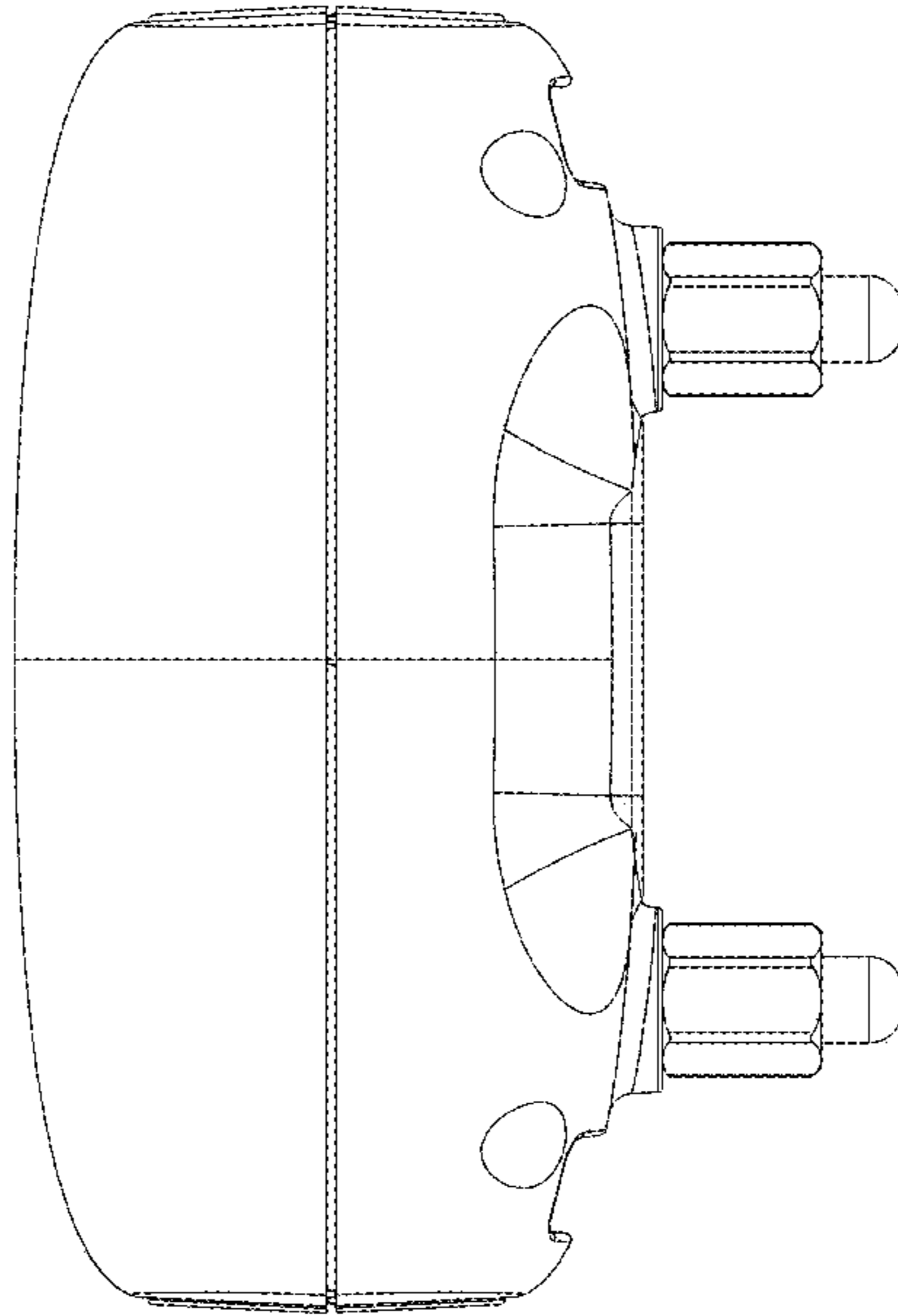


1.5

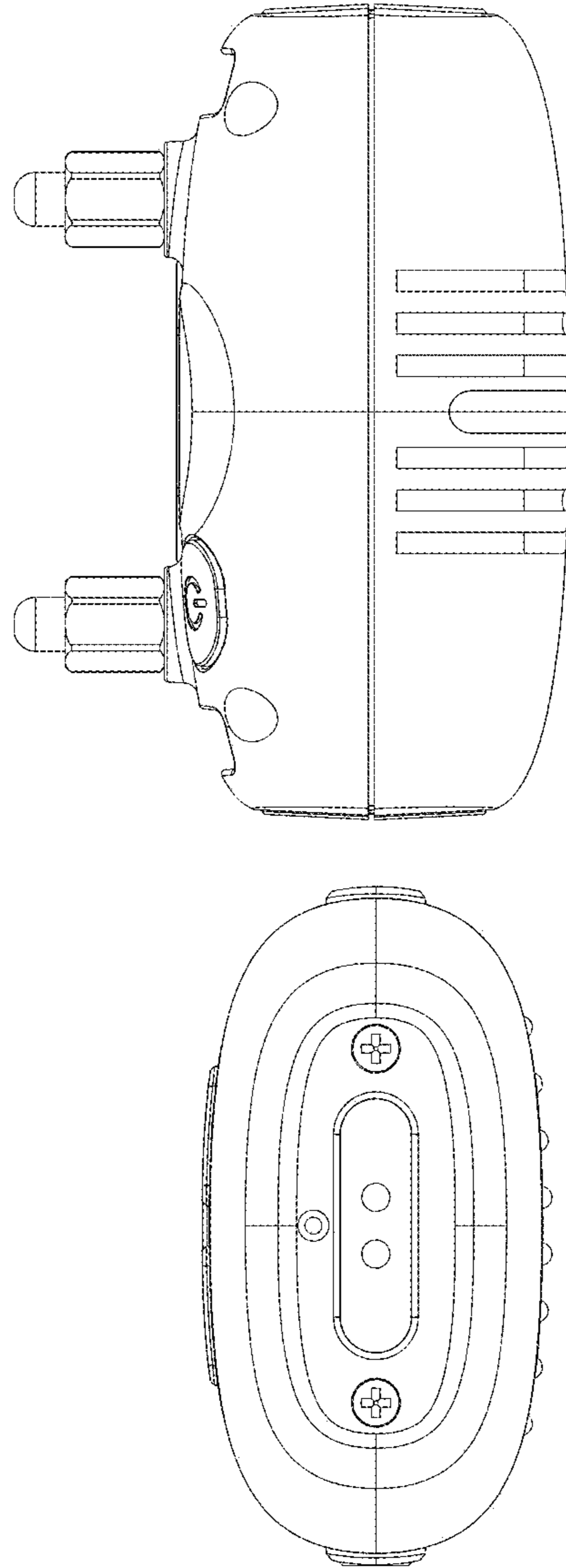


1.6





1.7



1.8