

US0D1026354S

(12) **United States Design Patent** (10) **Patent No.:** **US D1,026,354 S**
Ogden (45) **Date of Patent:** **** May 7, 2024**

(54) **DOG WASH STATION**
(71) Applicant: **Applewood GJ LLC**, Golden, CO (US)
(72) Inventor: **Matthew D. Ogden**, Golden, CO (US)
(73) Assignee: **Applewood GJ LLC**, Golden, CO (US)
(**) Term: **15 Years**
(21) Appl. No.: **29/728,235**
(22) Filed: **Mar. 17, 2020**
(51) **LOC (14) Cl.** **30-99**
(52) **U.S. Cl.**
USPC **D30/158**
(58) **Field of Classification Search**
USPC D30/158, 159, 199; 119/600, 606, 608,
119/609, 610, 611, 612, 613, 615, 616,
119/620, 625
CPC .. A01K 13/00; A01K 13/002; A01K 13/0002;
A01K 13/001; A45D 29/02; A45D
24/007; A45D 29/04; A45D 29/05; A01J
7/04
See application file for complete search history.

facebook.com/EvolutionDogWash/videos/building-an-evolution-dog-wash/761966137760848/ (Year: 2021).*
“The Evolution Dog Wash Difference” available Mar. 30, 2018, [online], [site visited Mar. 23, 2023]. Retrieved from Internet, URL:https://web.archive.org/web/20180330072253/https://evolutiondogwash.com/ (Year: 2018).*
“Evolution Dog Wash—Promotional Video” available Jan. 24, 2020, [online], [site visited Mar. 23, 2020]. Retrieved from Internet, URL:https://www.youtube.com/watch?v=zvTG1r6kDfA (Year: 2020).*
A screenshot of iClean DogWash Trade Show Booth Design posted to the URL https://icleandogwash.com/new-trade-show-booth-design/ on Jul. 25, 2018 by Sander Hoffmans, 1 pg.

* cited by examiner

Primary Examiner — Katrina N Gonzalez
(74) *Attorney, Agent, or Firm* — James A. Sheridan;
Sheridan Law, LLC

(57) **CLAIM**

I claim the ornamental design for a dog wash station, as shown and described.

(56) **References Cited**

U.S. PATENT DOCUMENTS

1,867,387	A *	7/1932	Smith	B25D 5/02
					33/642
D409,207	S *	5/1999	Alvern	D15/151
D493,259	S *	7/2004	Itoiz Oroz	D30/158
D598,079	S *	8/2009	Lutz	D23/278
D957,593	S *	7/2022	Shell	D23/286
2009/0173286	A1 *	7/2009	Schetlin	A01K 13/001
					119/606

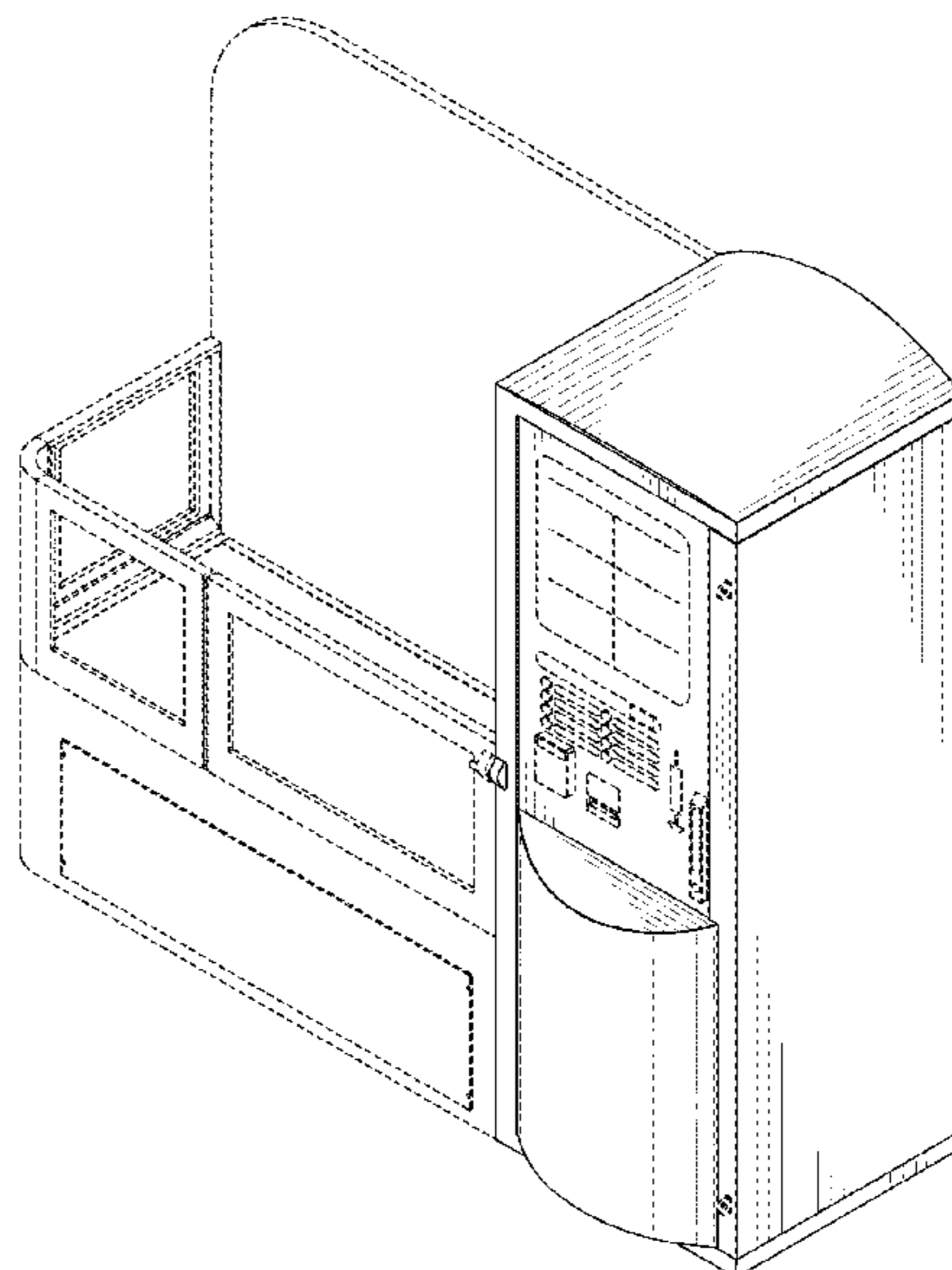
OTHER PUBLICATIONS

“Evolution Dog Wash” available Mar. 12, 2021, [online], [site visited Mar. 23, 2023]. Retrieved from Internet, URL:https://www.

DESCRIPTION

FIG. 1 is a perspective view of a dog wash station;
FIG. 2 is a front elevation view thereof;
FIG. 3 is a rear elevation view thereof;
FIG. 4 is a top plan view thereof;
FIG. 5 is a bottom plan view thereof;
FIG. 6 is a left side elevation view thereof; and,
FIG. 7 is a right side elevation view thereof.
The broken line showing of the wash tub, back splash, control interfaces and hose structures is for the purpose of illustrating portions of the dog wash station and forms no part of the claimed design.

1 Claim, 7 Drawing Sheets



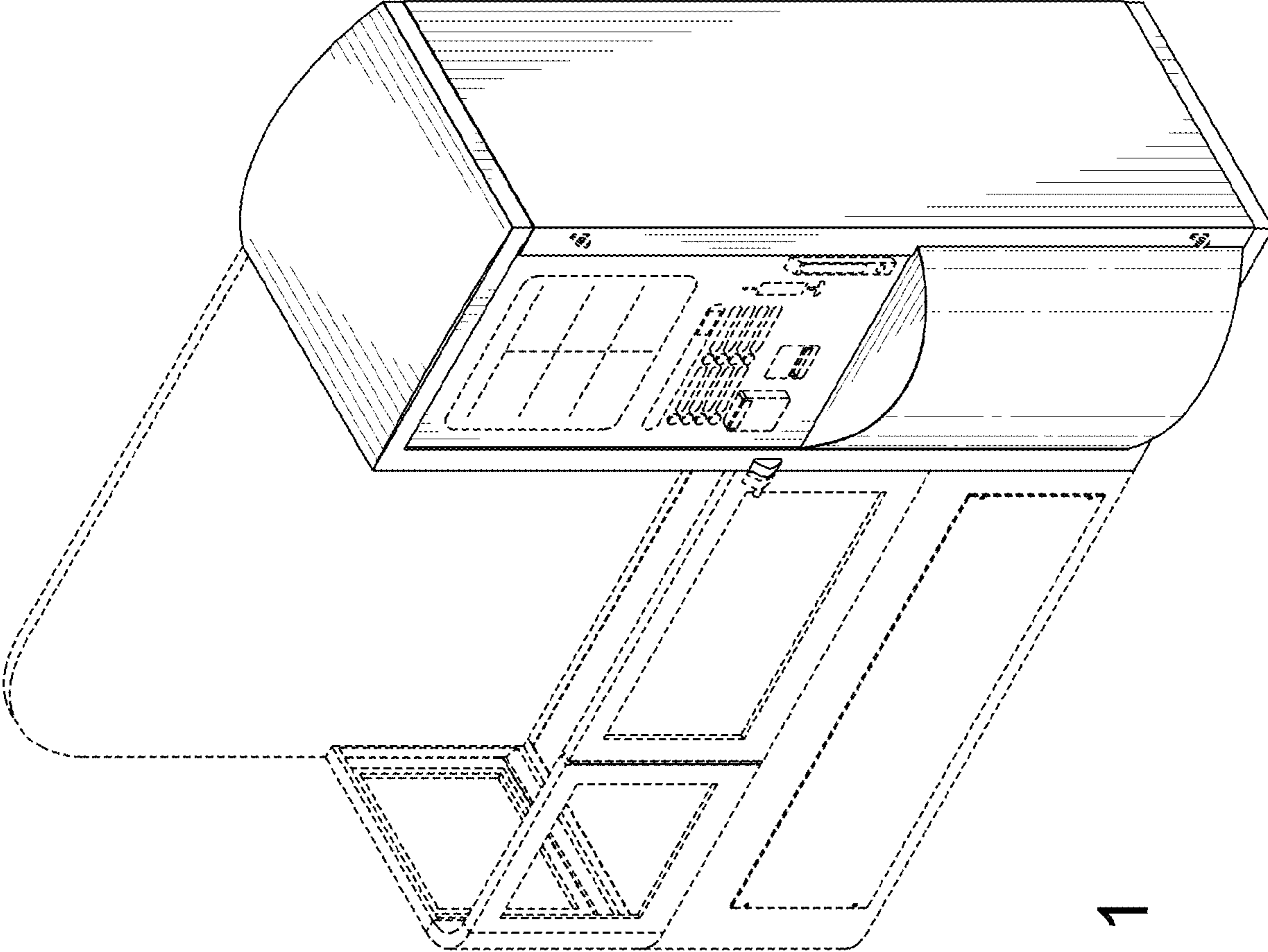


FIG. 1

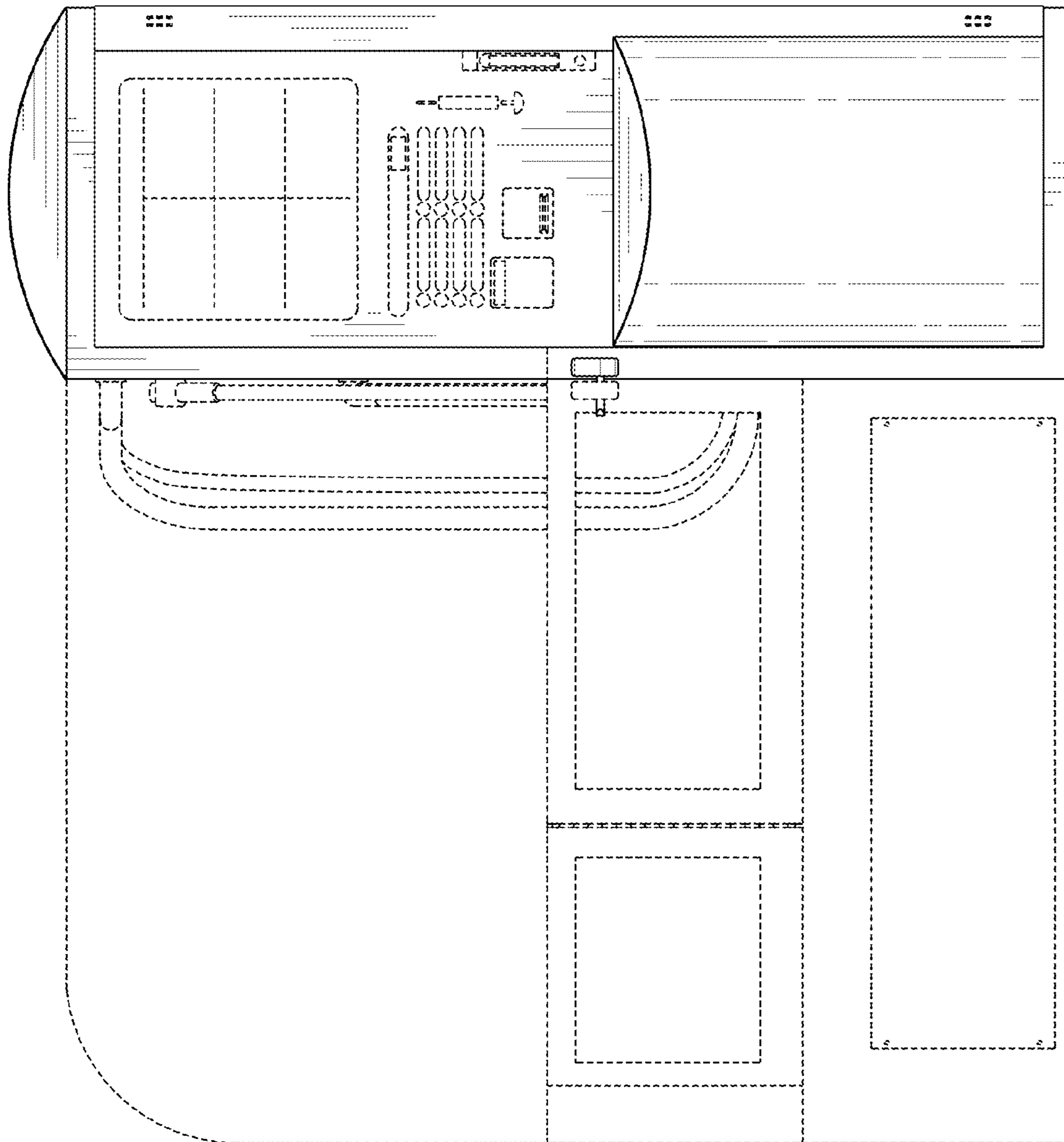


FIG. 2

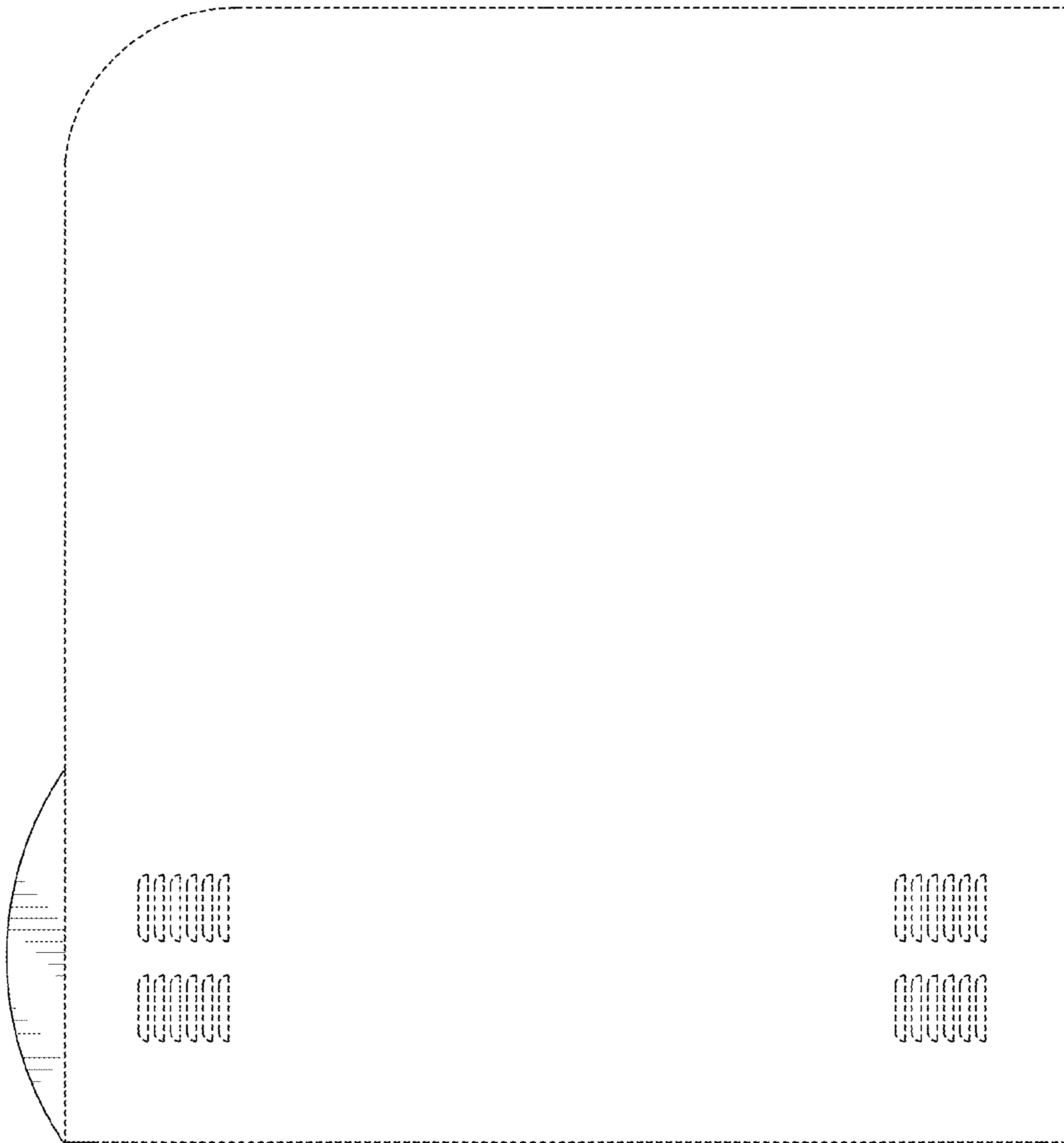


FIG. 3

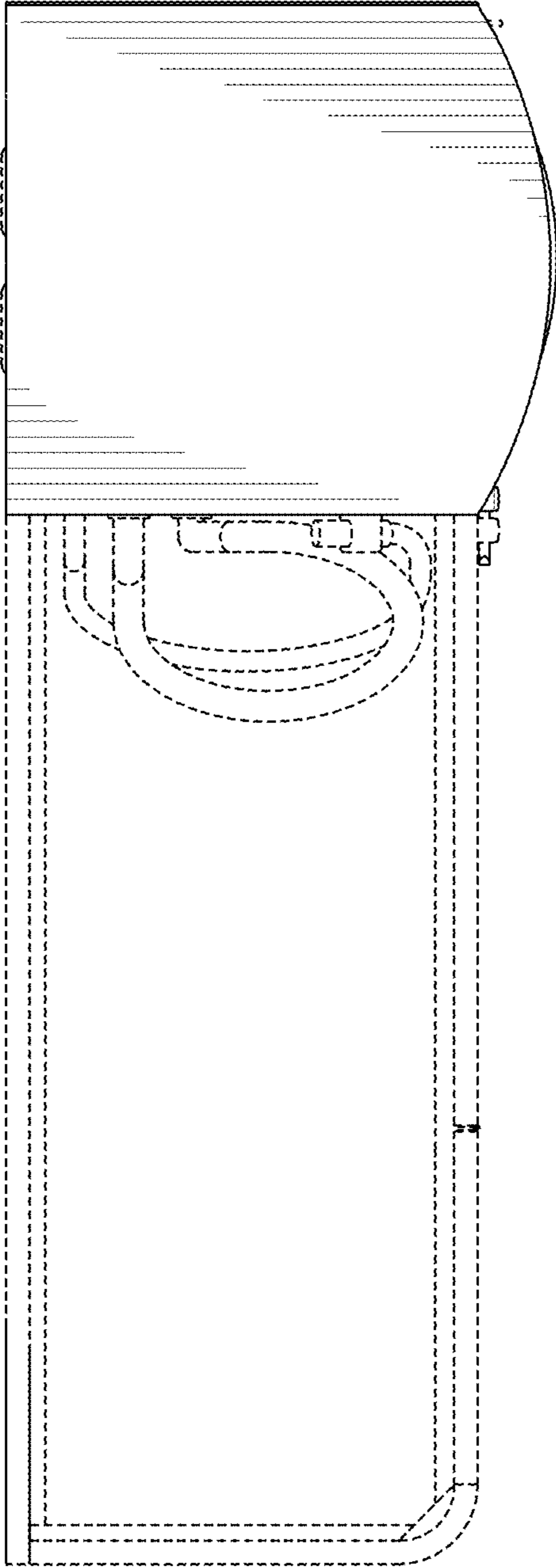


FIG. 4

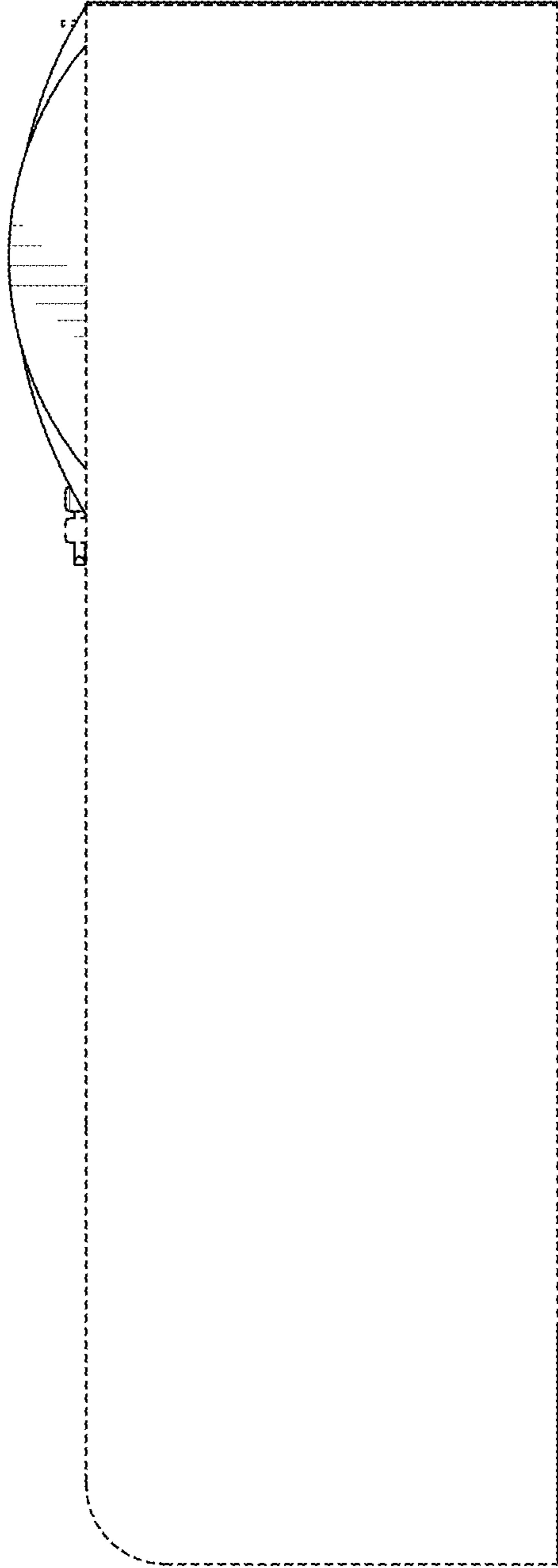


FIG. 5

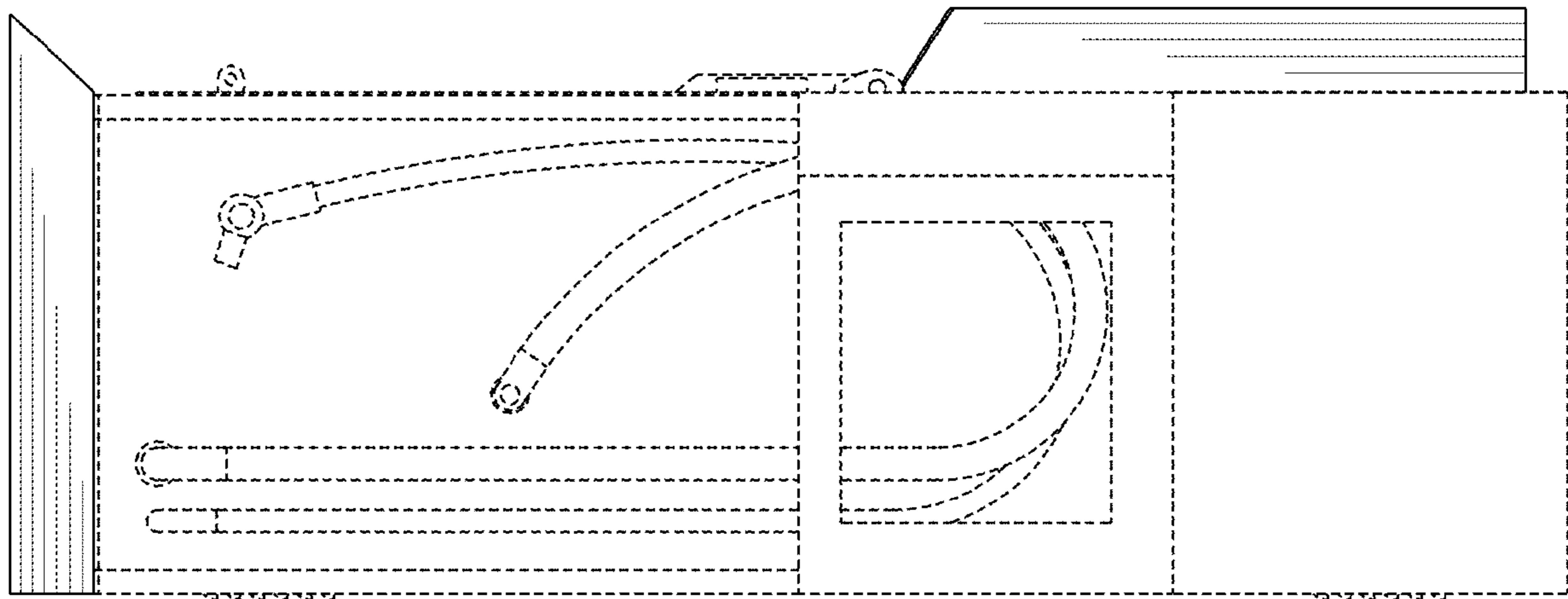


FIG. 6

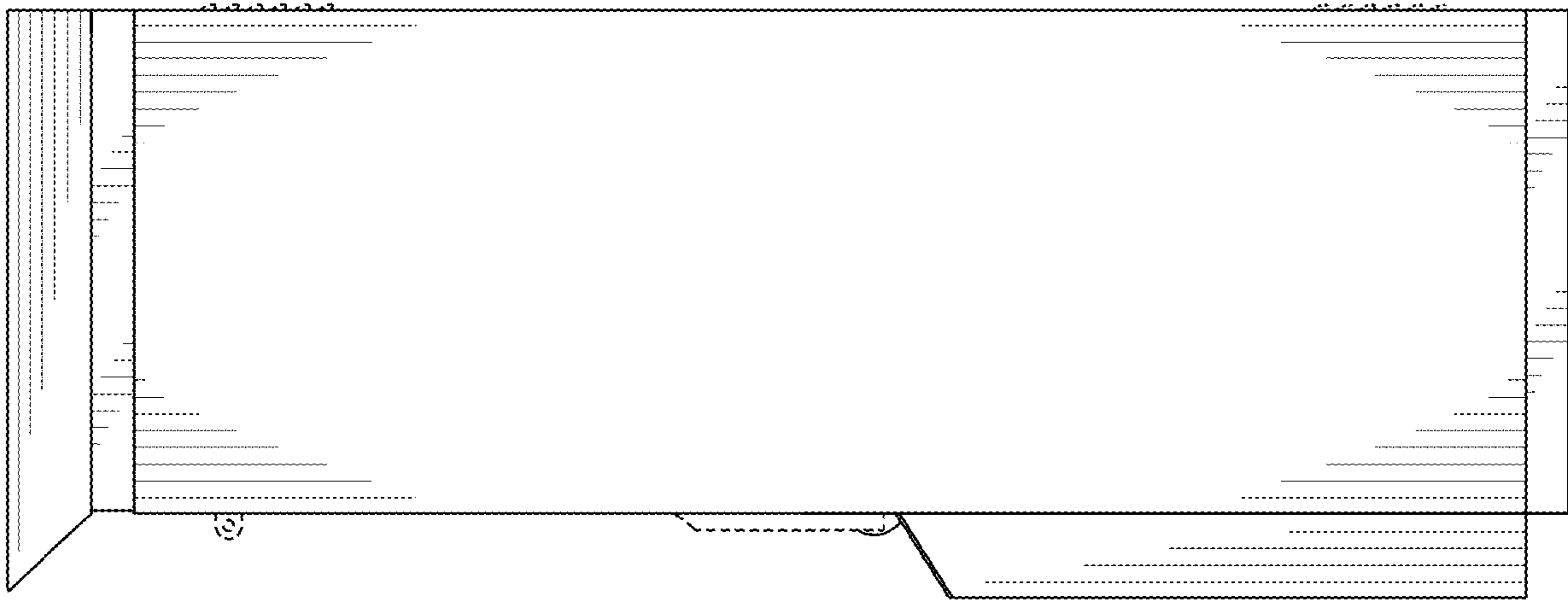


FIG. 7