



US0D1026285S

(12) **United States Design Patent** (10) **Patent No.:** **US D1,026,285 S**
Dai (45) **Date of Patent:** **** May 7, 2024**

(54) **LAMP**

(71) Applicant: **SHENZHEN DIXUAN SCIENCE & TECHNOLOGY CO., LTD**, Shenzhen (CN)

(72) Inventor: **Jianbo Dai**, Shenzhen (CN)

(73) Assignee: **SHENZHEN DIXUAN SCIENCE & TECHNOLOGY CO., LTD**, Shenzhen (CN)

(**) Term: **15 Years**

(21) Appl. No.: **29/882,098**

(22) Filed: **Jan. 11, 2023**

(51) **LOC (14) Cl.** **26-05**

(52) **U.S. Cl.**
USPC **D26/93; D26/65; D26/107**

(58) **Field of Classification Search**
USPC D26/24, 34, 61, 62, 63, 89, 92, 93, 104, D26/105, 106, 107, 108, 110, 118, 120, D26/123, 124, 128, 135; D16/136, 237, D16/244, 250
CPC F21S 6/00; F21S 6/002; F21S 6/003; F21S 6/004; F21S 6/005; F21S 6/006; F21S 6/007; F21S 6/008; F21S 8/00; F21S 8/03; F21S 8/08; F21S 8/06; F21S 8/032; F21S 8/035; F21S 8/036; F21S 8/063; F21W 2131/00; F21W 2131/30; F21W 2131/302; F21V 3/00; F21V 3/02; F21V 3/061; F21V 1/00; F21V 1/04; F21V 1/10; F21V 1/20

See application file for complete search history.

(56) **References Cited**

U.S. PATENT DOCUMENTS

D283,360 S * 4/1986 Ansems D26/60
D283,361 S * 4/1986 Ansems D26/61

D654,199 S * 2/2012 Xie D26/63
D690,044 S * 9/2013 Ng D26/65
D873,463 S * 1/2020 Wang D26/65
D911,588 S * 2/2021 Tan D26/107
D952,236 S * 5/2022 Zhang D26/93
D983,442 S * 4/2023 Mo D26/107

OTHER PUBLICATIONS

Dimunt LED Floor Lamp; Retrieved from www.amazon.com at <https://www.amazon.com/dp/B08L7DD8L9>; Retrieved on Jan. 27, 2024; First available Oct. 25, 2020 (Year: 2020).*

(Continued)

Primary Examiner — Clint A Samuel

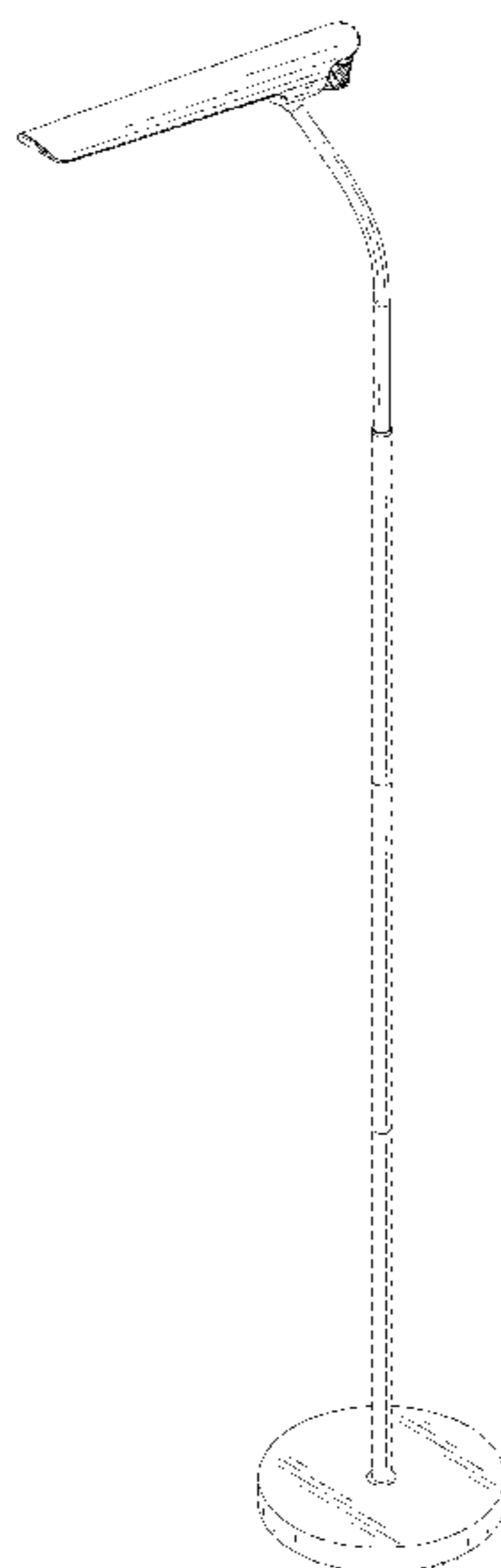
(57) **CLAIM**

The ornamental design for a lamp, as shown and described.

DESCRIPTION

FIG. 1 is a perspective view of a lamp showing my new design;
FIG. 2 is another perspective view thereof;
FIG. 3 is a front elevational view thereof;
FIG. 4 is a rear elevational view thereof;
FIG. 5 is a left side elevational view thereof;
FIG. 6 is a right side elevational view thereof;
FIG. 7 is a top plan view thereof;
FIG. 8 is a bottom plan view thereof;
FIG. 9 is an enlarged view of portion 9 shown in FIG. 2; and,
FIG. 10 is an enlarged view of portion 10 shown in FIG. 2.
The dash-dash broken lines in the drawings depict portions of the lamp that form no part of the claimed design. The dot-dash broken lines represent boundaries of the enlarged portions and form no part of the claimed design.

1 Claim, 10 Drawing Sheets



(56)

References Cited

OTHER PUBLICATIONS

Arnsberg 425870135 Transitional LED Floor Lamp; Retrieved from www.amazon.com at <https://www.amazon.com/dp/B07NQS4BS>; Retrieved on Jan. 27, 2024; First available Feb. 14, 2019 (Year: 2019).*

Led Floor Lamp with Remote; Retrieved from www.amazon.com at <https://www.amazon.com/dp/B07CBVL6Q2>; Retrieved on Jan. 27, 2024; First available Apr. 9, 2018 (Year: 2018).*

* cited by examiner

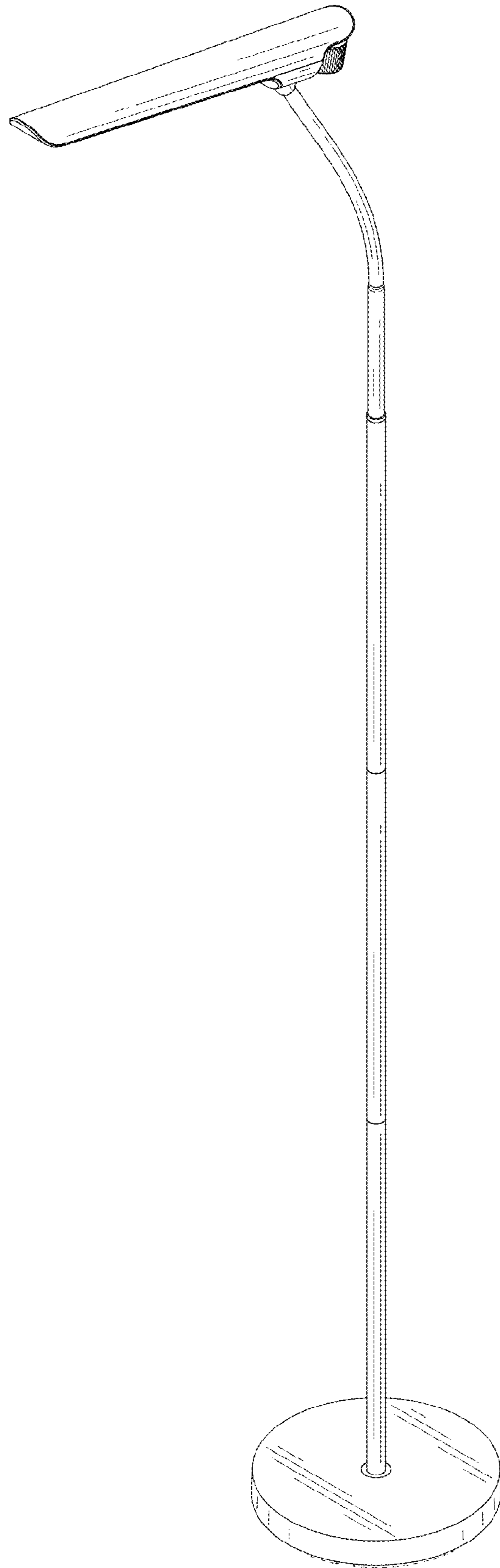


FIG. 1

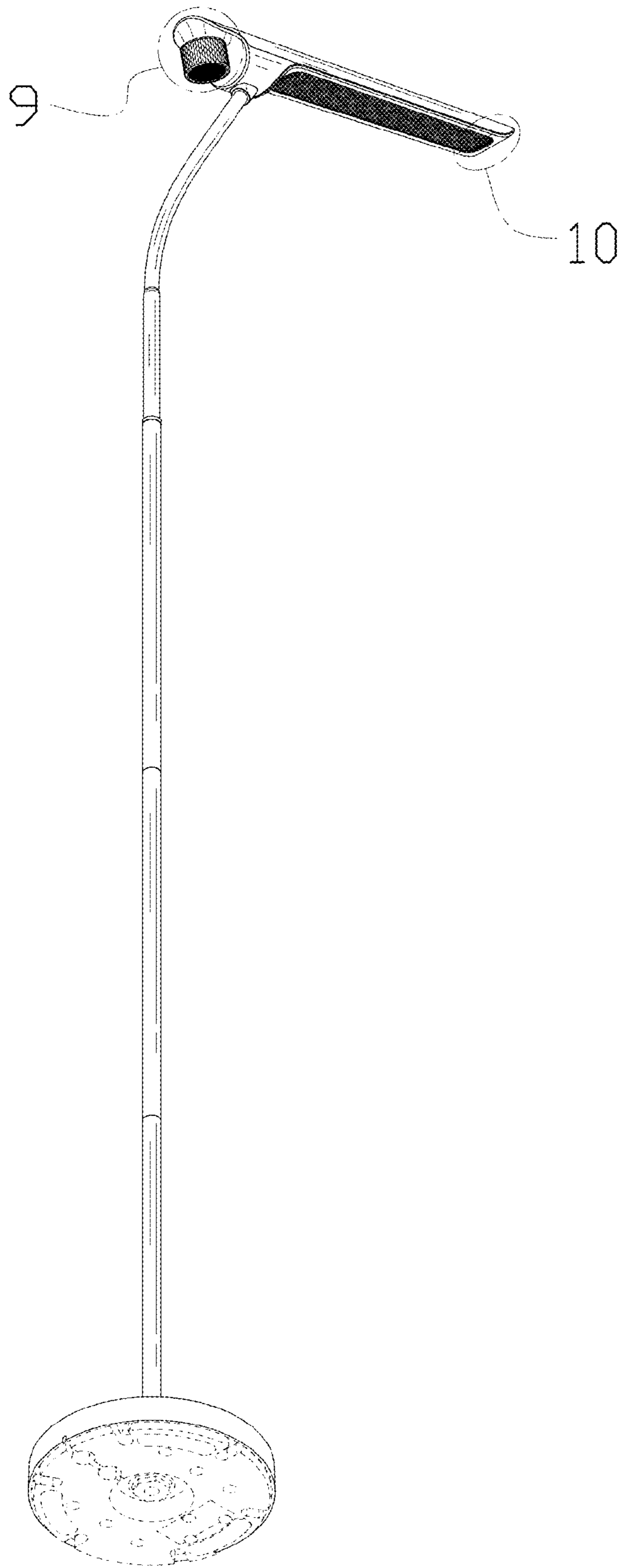


FIG. 2

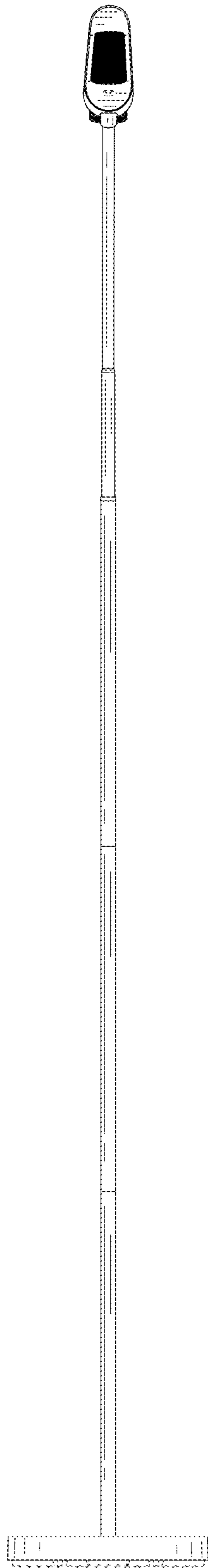


FIG. 3

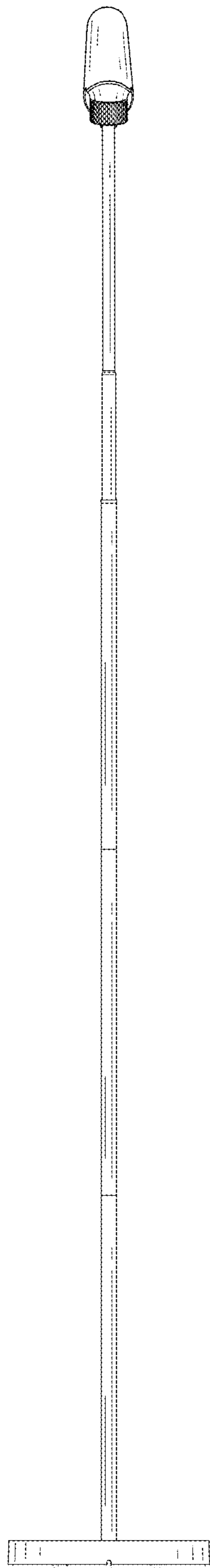


FIG. 4

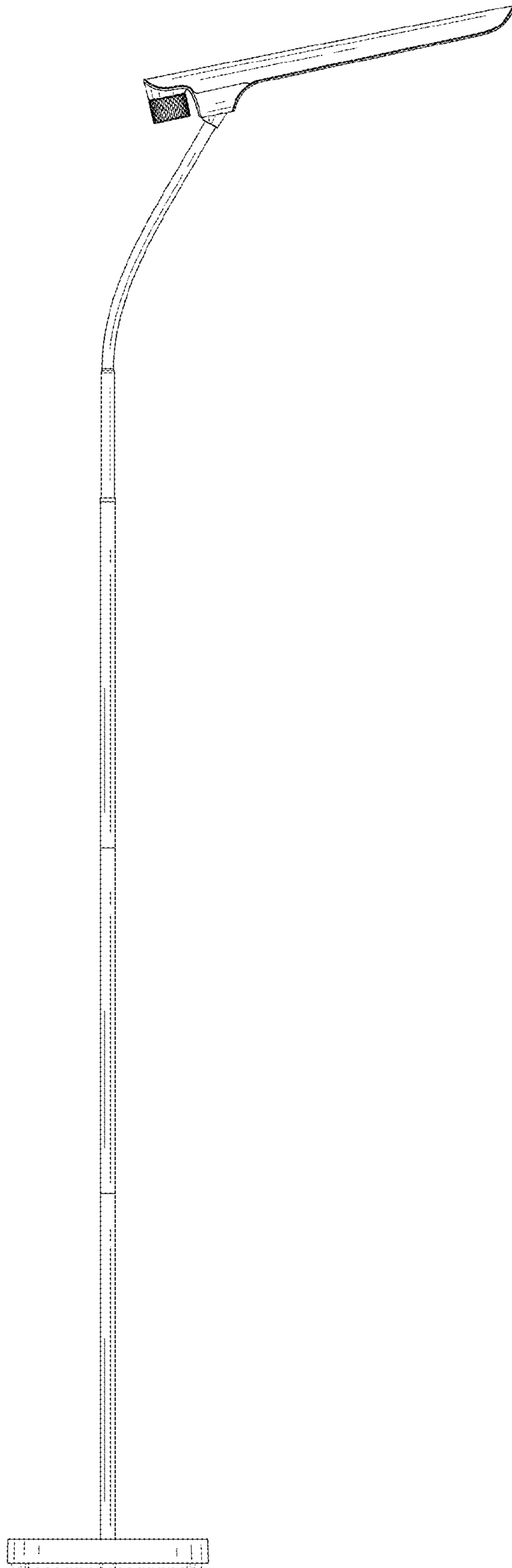


FIG. 5

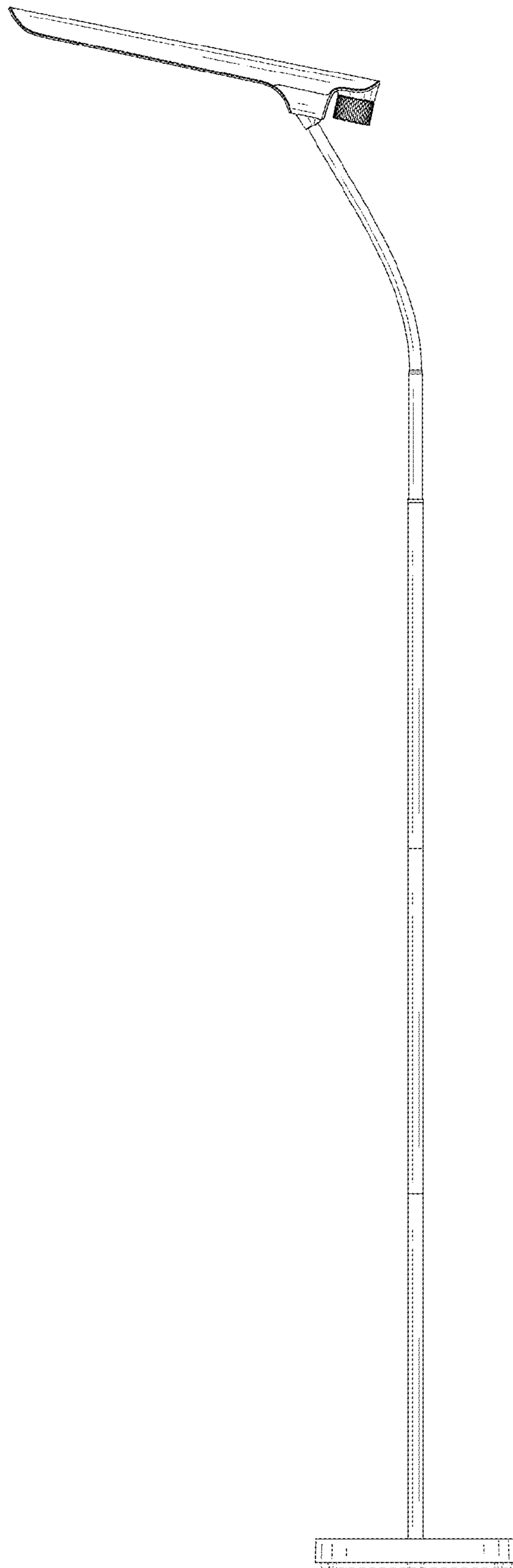


FIG. 6

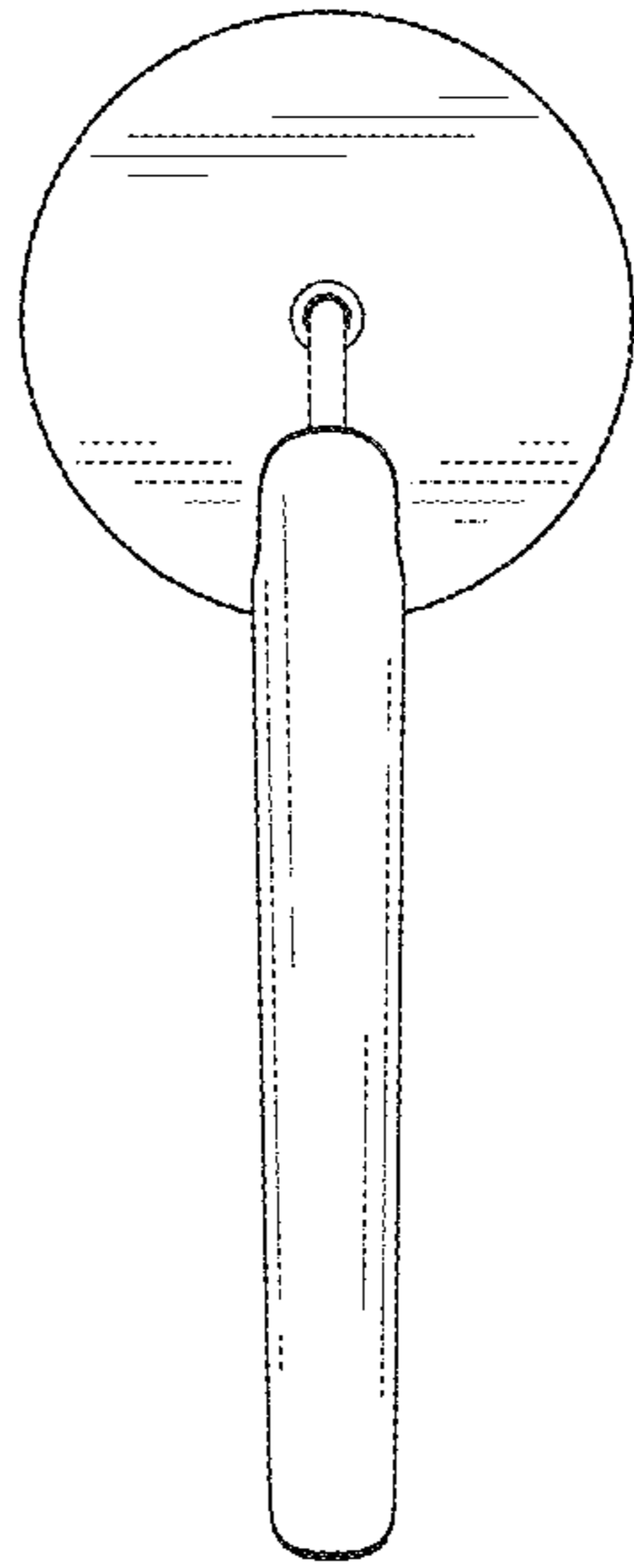


FIG. 7

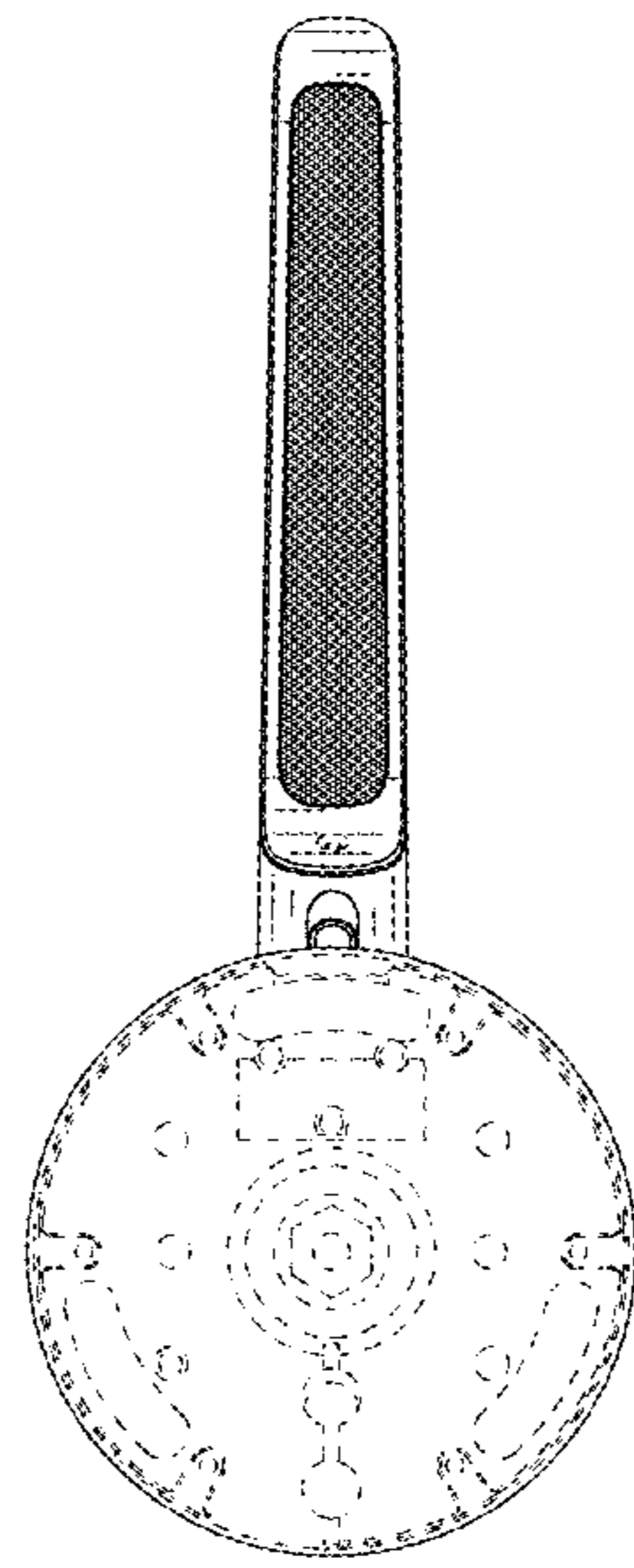


FIG. 8

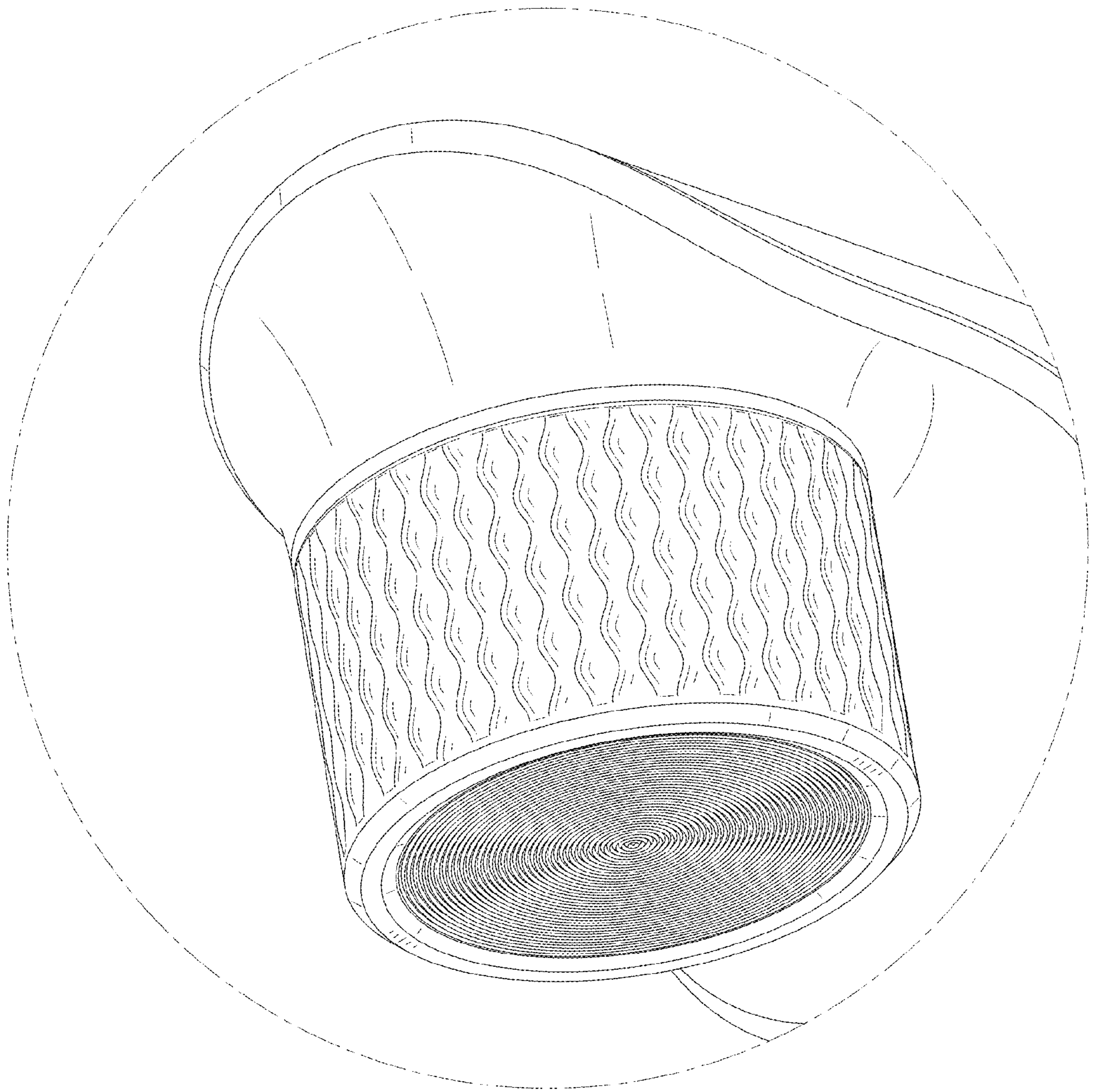


FIG. 9

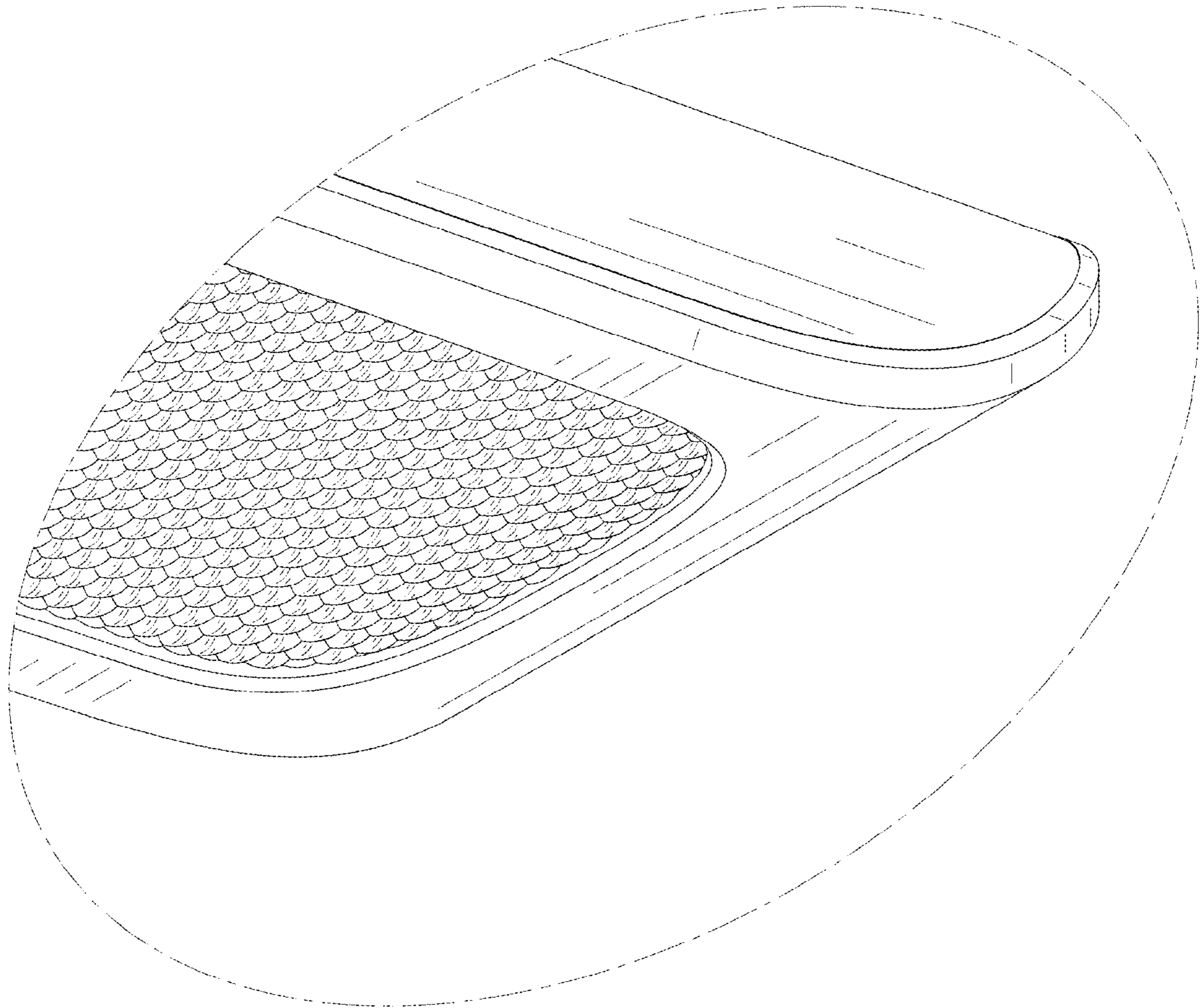


FIG. 10