



US0D1026260S

(12) **United States Design Patent** (10) **Patent No.:** **US D1,026,260 S**
Anderson et al. (45) **Date of Patent:** **** May 7, 2024**

- (54) **SHINGLE**
- (71) Applicant: **BMIC LLC**, Dallas, TX (US)
- (72) Inventors: **Eric Anderson**, Montclair, NJ (US);
Olan Thomas Leitch, Mt. Juliet, TN (US); **Ming-Liang Shiao**, Collegeville, PA (US)
- (73) Assignee: **BMIC LLC**, Dallas, TX (US)
- (**) Term: **15 Years**
- (21) Appl. No.: **29/857,199**
- (22) Filed: **Oct. 20, 2022**
- (51) **LOC (14) Cl.** **25-01**
- (52) **U.S. Cl.**
USPC **D25/139**
- (58) **Field of Classification Search**
USPC D25/139, 143
CPC .. E04D 1/26; E04D 1/125; E04D 1/28; E04D 1/025; E04D 2001/005
See application file for complete search history.

D504,964 S *	5/2005	Hamlin	D25/119
D574,972 S *	8/2008	Todd	D25/139
D669,602 S *	10/2012	Jenkins	D25/143
D762,880 S *	8/2016	Leitch	D25/143
D769,473 S *	10/2016	Rodrigues	D25/139
D799,721 S *	10/2017	Leitch	D25/139
2016/0340903 A1 *	11/2016	Folkersen	E04D 1/26

* cited by examiner

Primary Examiner — Doris Clark

(74) *Attorney, Agent, or Firm* — Venable LLP

(57) **CLAIM**

The ornamental design for a shingle, as shown and described.

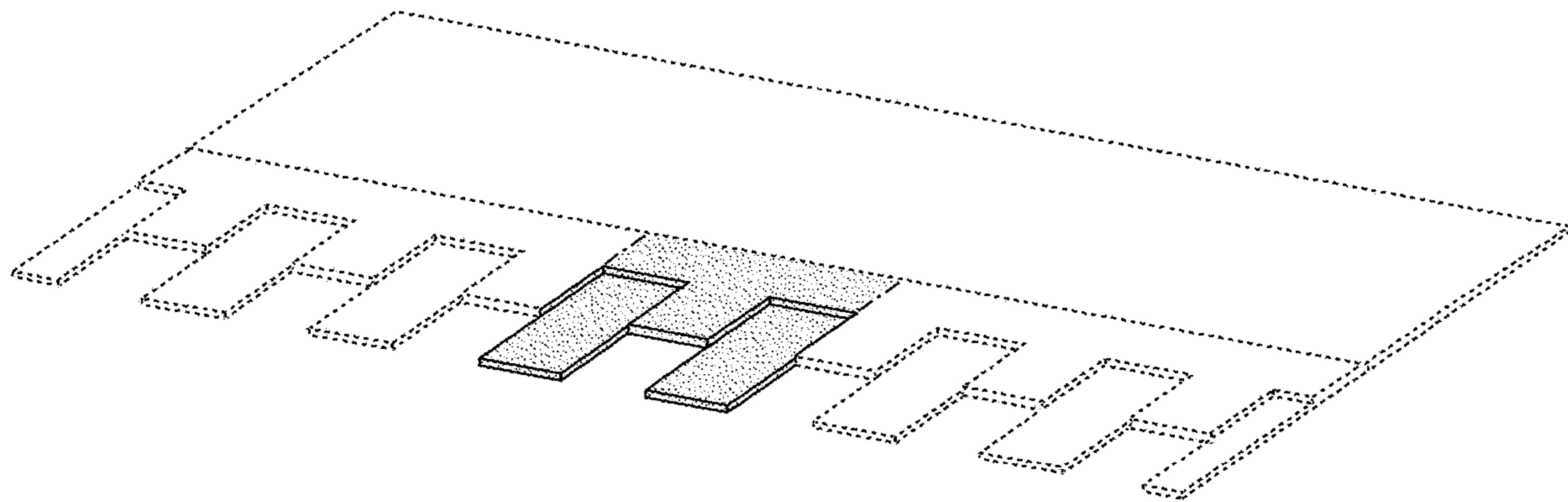
DESCRIPTION

FIG. 1 is a top perspective view of a shingle;
 FIG. 2 is a top view of FIG. 1;
 FIG. 3 is a bottom view of FIG. 1;
 FIG. 4 is a left side view of FIG. 1;
 FIG. 5 is a right side view of FIG. 1;
 FIG. 6 is a rear view of FIG. 1; and,
 FIG. 7 is a front view of FIG. 1.

The dashed broken lines are for illustrative purposes only and form no part of the claimed design. The dashed-dot lines illustrate unclaimed boundary lines.

1 Claim, 7 Drawing Sheets

- (56) **References Cited**
U.S. PATENT DOCUMENTS
- 5,916,103 A * 6/1999 Roberts E04D 1/26
52/552
- 6,546,688 B1 * 4/2003 Parsons E04D 5/10
52/518



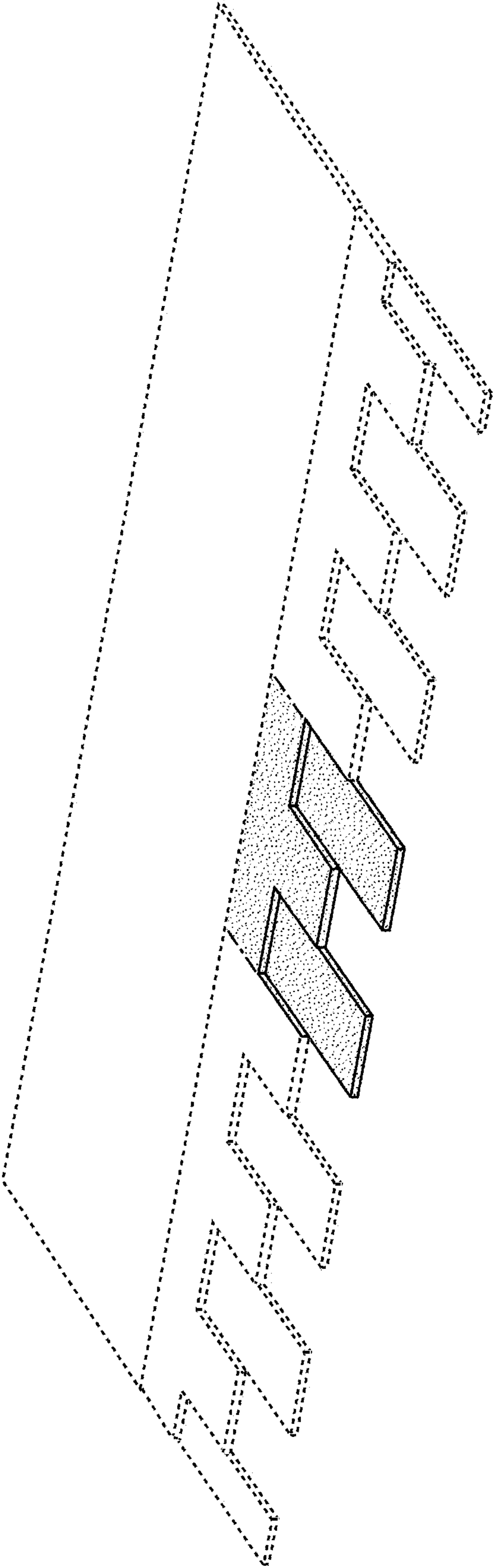


FIG. 1

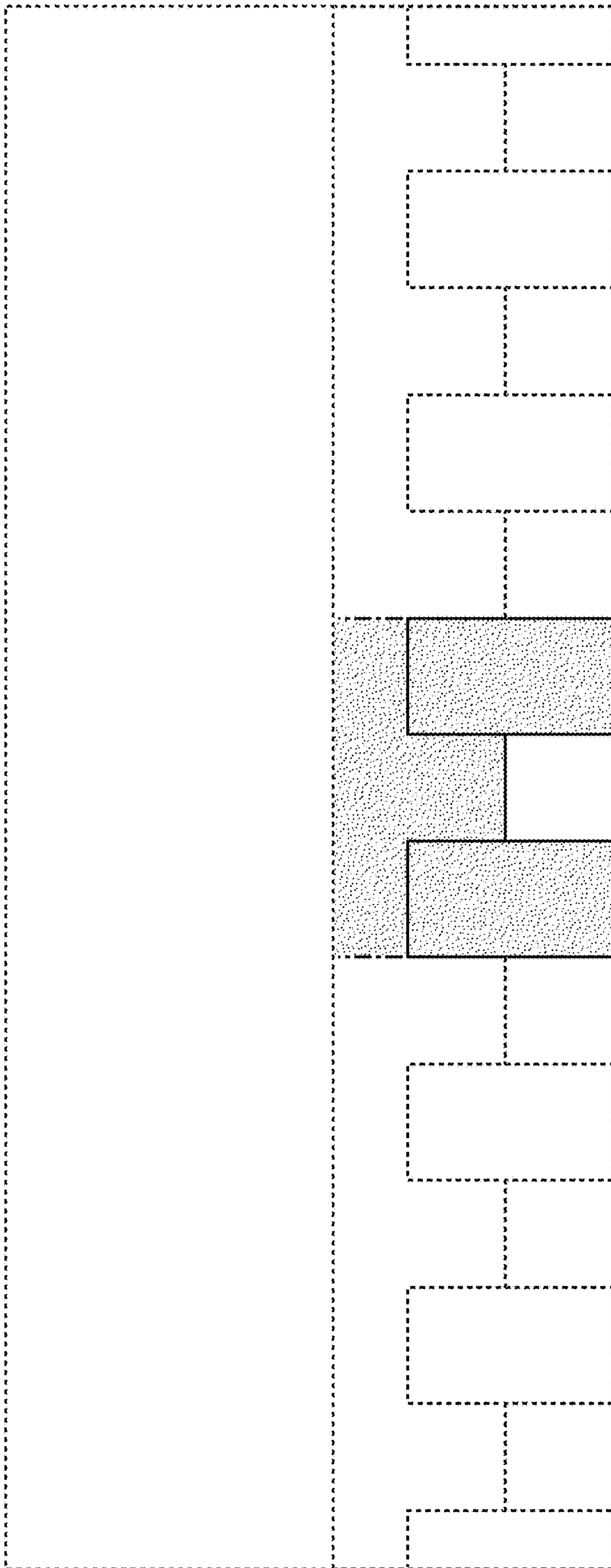


FIG. 2

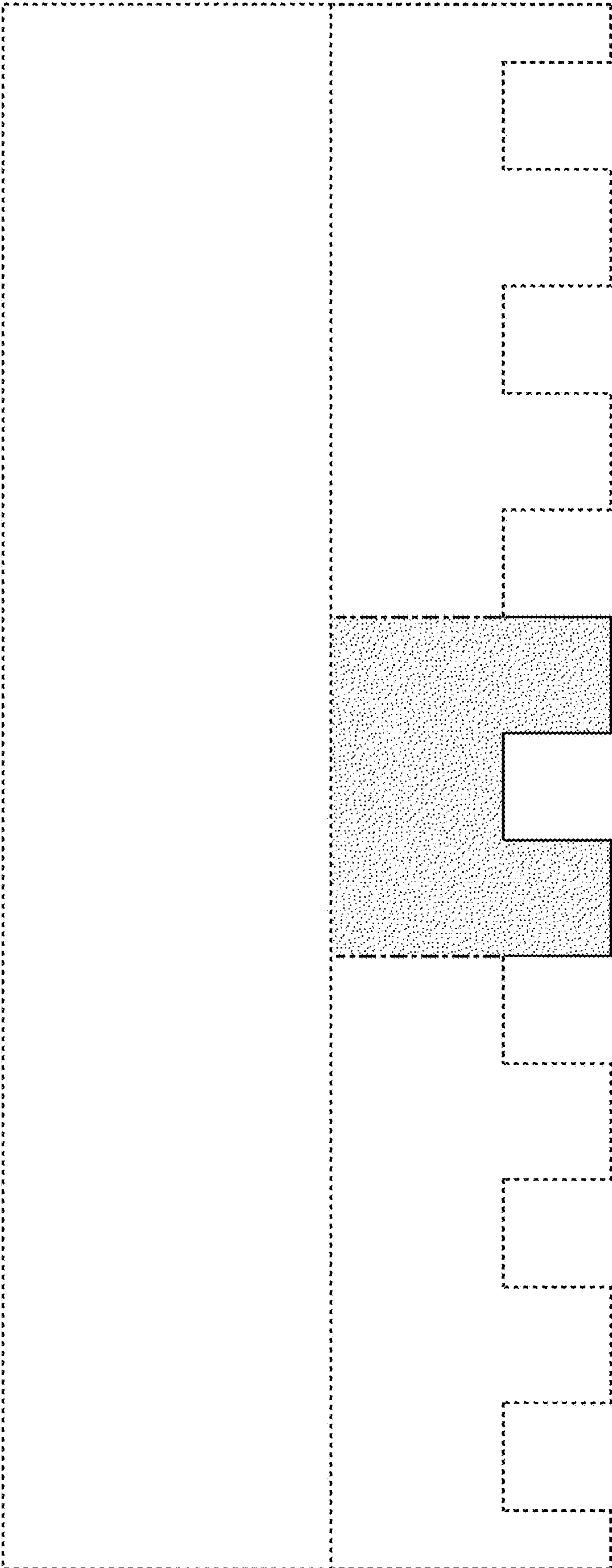


FIG. 3



FIG. 4



FIG. 5



FIG. 6



FIG. 7