



US0D1026258S

(12) **United States Design Patent** (10) **Patent No.:** **US D1,026,258 S**
Anderson et al. (45) **Date of Patent:** **** May 7, 2024**

(54) **SHINGLE**

(71) Applicant: **BMIC LLC**, Dallas, TX (US)

(72) Inventors: **Eric Anderson**, Montclair, NJ (US);
Olan Thomas Leitch, Mt. Juliet, TN (US);
Ming-Liang Shiao, Collegeville, PA (US)

(73) Assignee: **BMIC LLC**, Dallas, TX (US)

(**) Term: **15 Years**

(21) Appl. No.: **29/857,196**

(22) Filed: **Oct. 20, 2022**

(51) **LOC (14) Cl.** **25-01**

(52) **U.S. Cl.**
USPC **D25/139**

(58) **Field of Classification Search**
USPC D25/139, 143

(Continued)

(56) **References Cited**

U.S. PATENT DOCUMENTS

5,916,103 A *	6/1999	Roberts	E04D 1/26
				52/552
6,546,688 B1 *	4/2003	Parsons	E04D 5/10
				52/518

(Continued)

Primary Examiner — Doris Clark

(74) *Attorney, Agent, or Firm* — Venable LLP

(57) **CLAIM**

The ornamental design for a shingle, as shown and described.

DESCRIPTION

FIG. 1 is a top perspective view of an embodiment of a shingle;

FIG. 2 is a top view of the embodiment shown in FIG. 1; FIG. 3 is a bottom view of the embodiment shown in FIG. 1;

FIG. 4 is a left side view of the embodiment shown in FIG. 1;

FIG. 5 is a right side view of the embodiment shown in FIG. 1;

FIG. 6 is a rear view of the embodiment shown in FIG. 1; FIG. 7 is a front view of the embodiment shown in FIG. 1;

FIG. 8 is a top perspective view of another embodiment of a shingle;

FIG. 9 is a top view of the embodiment shown in FIG. 8; FIG. 10 is a bottom view of the embodiment shown in FIG. 8;

FIG. 11 is a left side view of the embodiment shown in FIG. 8;

FIG. 12 is a right side view of the embodiment shown in FIG. 8;

FIG. 13 is a rear view of the embodiment shown in FIG. 8; FIG. 14 is a front view of the embodiment shown in FIG. 8;

FIG. 15 is a top perspective view of another embodiment of a shingle;

FIG. 16 is a top view of the embodiment shown in FIG. 15; FIG. 17 is a bottom view of the embodiment shown in FIG. 15;

FIG. 18 is a left side view of the embodiment shown in FIG. 15;

FIG. 19 is a right side view of the embodiment shown in FIG. 15;

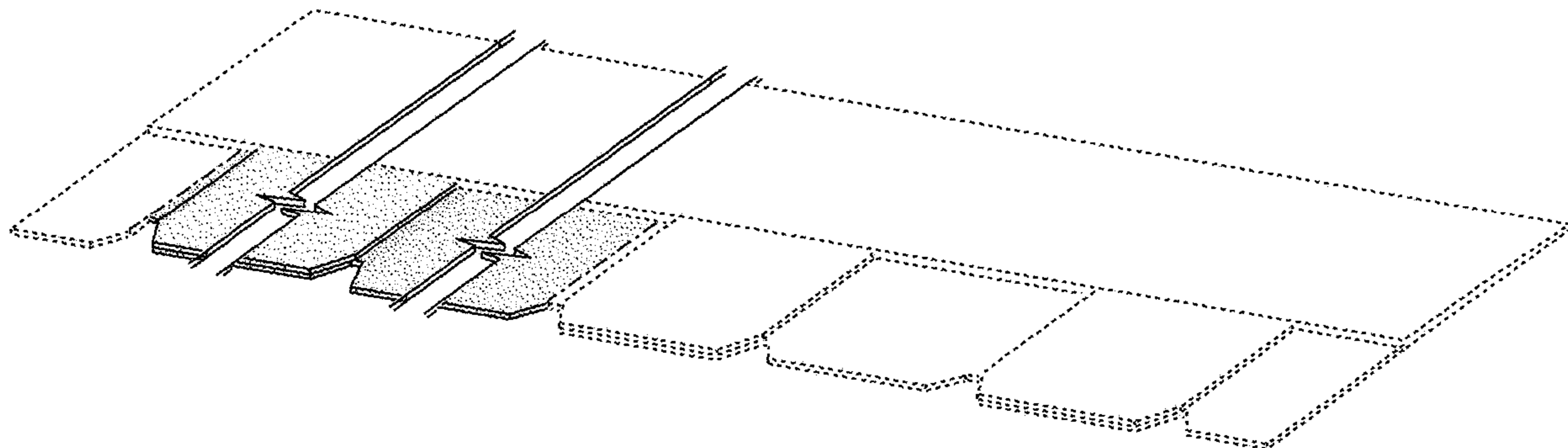
FIG. 20 is a rear view of the embodiment shown in FIG. 15; and,

FIG. 21 is a front view of the embodiment shown in FIG. 15.

The dashed broken lines are for illustrative purposes only and form no part of the claimed design.

The dashed-dot lines illustrate unclaimed boundary lines.

1 Claim, 21 Drawing Sheets



(58) **Field of Classification Search**

CPC .. E04D 1/26; E04D 1/125; E04D 1/28; E04D
1/025; E04D 2001/005

See application file for complete search history.

(56) **References Cited**

U.S. PATENT DOCUMENTS

D504,964	S	*	5/2005	Hamlin	D25/119
D574,972	S	*	8/2008	Todd	D25/139
D669,602	S	*	10/2012	Jenkins	D25/143
D762,880	S	*	8/2016	Leitch	D25/143
D769,473	S	*	10/2016	Rodrigues	D25/139
D799,721	S	*	10/2017	Leitch	D25/139
2016/0340903	A1	*	11/2016	Folkersen	E04D 1/26

* cited by examiner

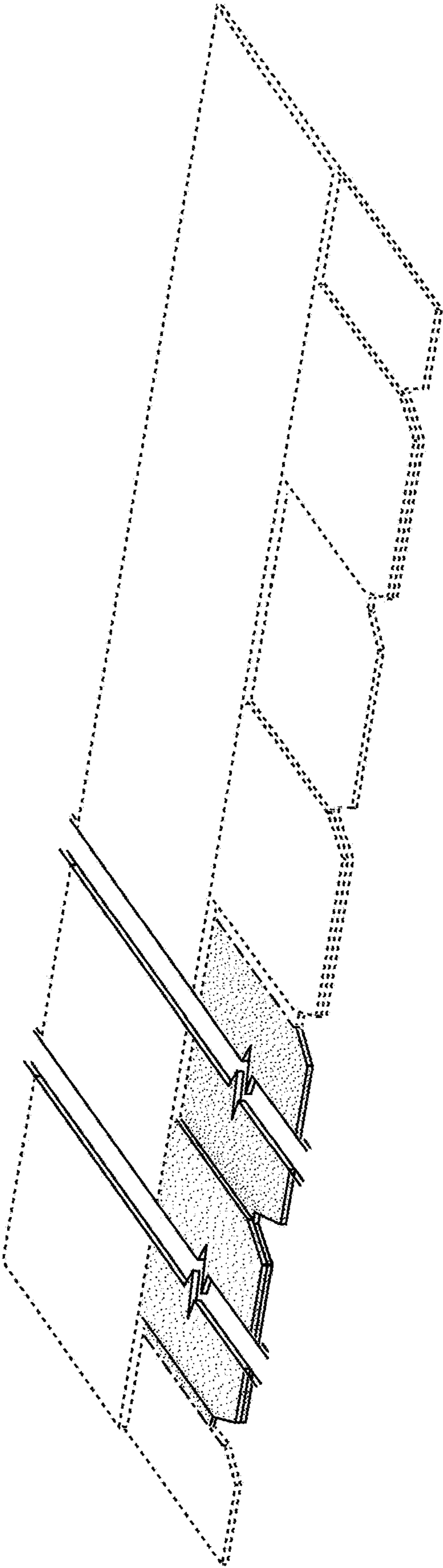


FIG. 1

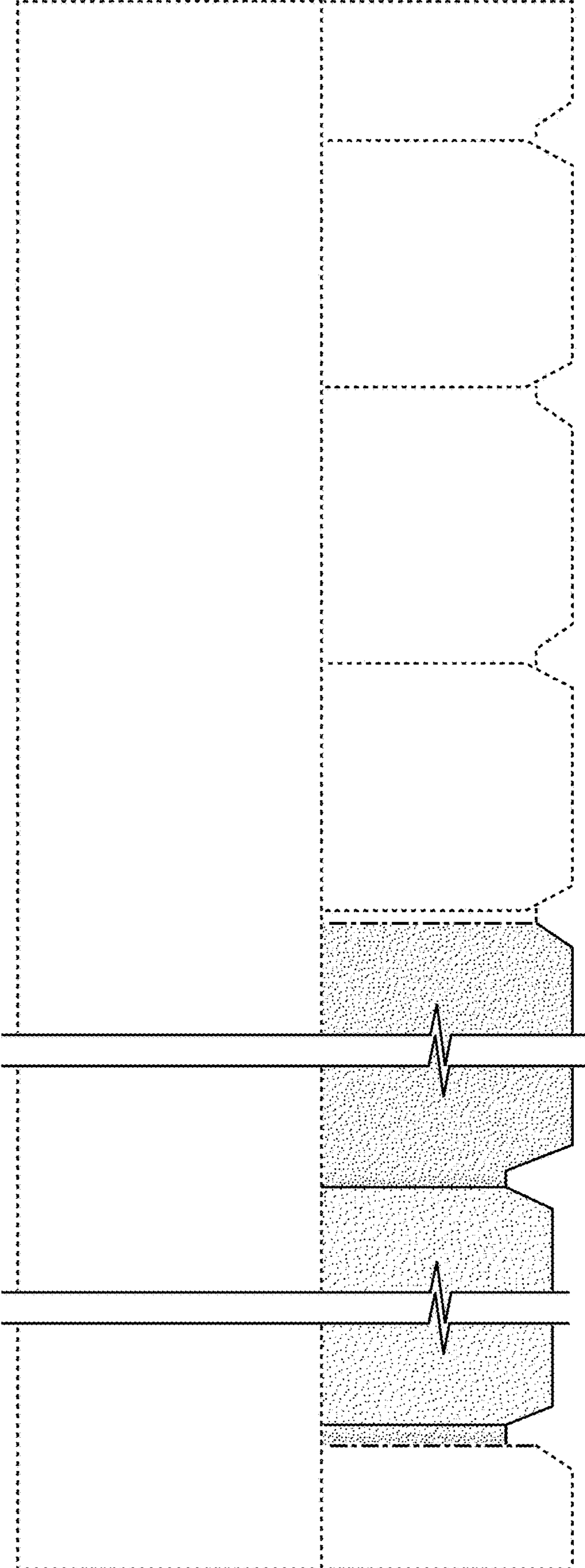


FIG. 2

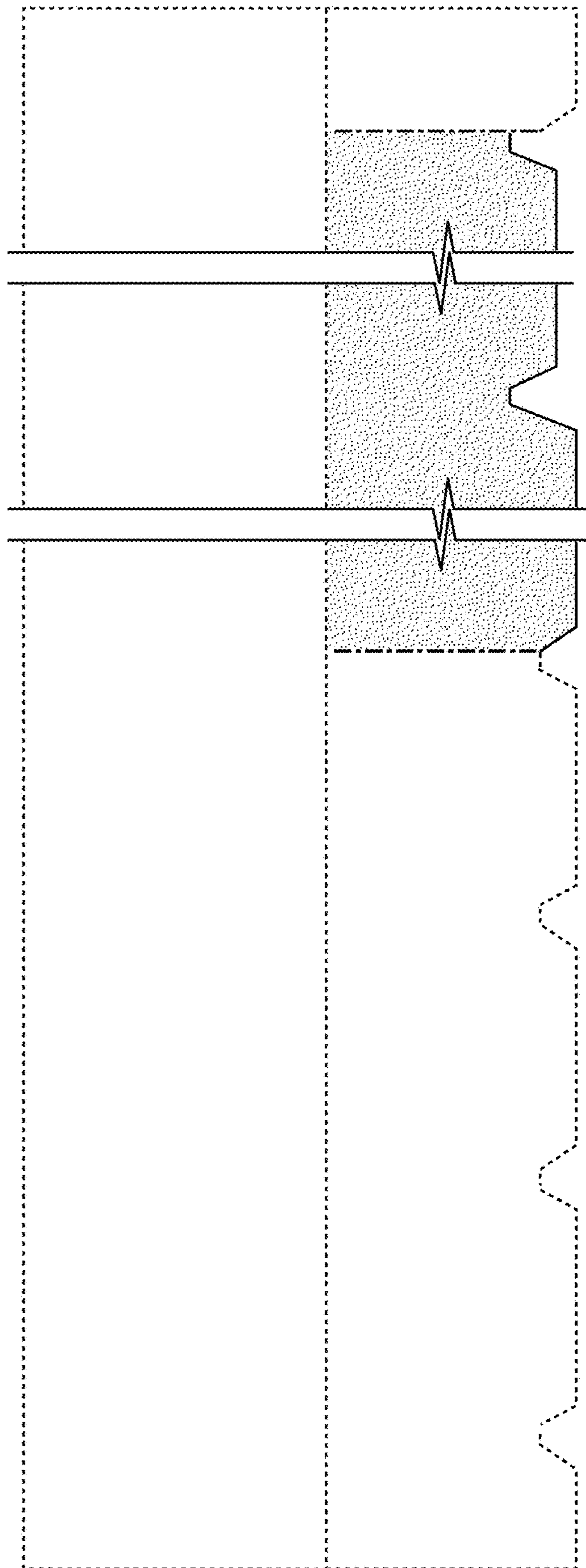


FIG. 3

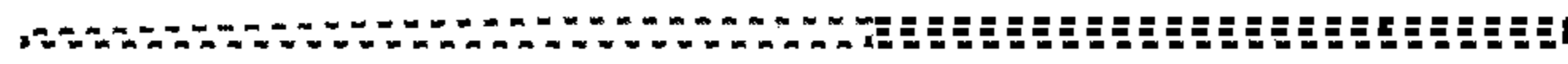


FIG. 4



FIG. 5

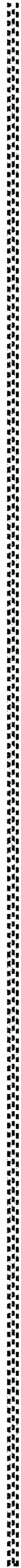


FIG. 6

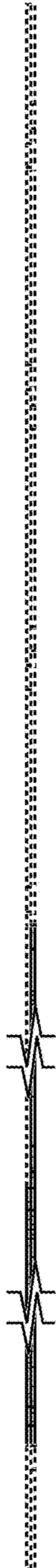


FIG. 7

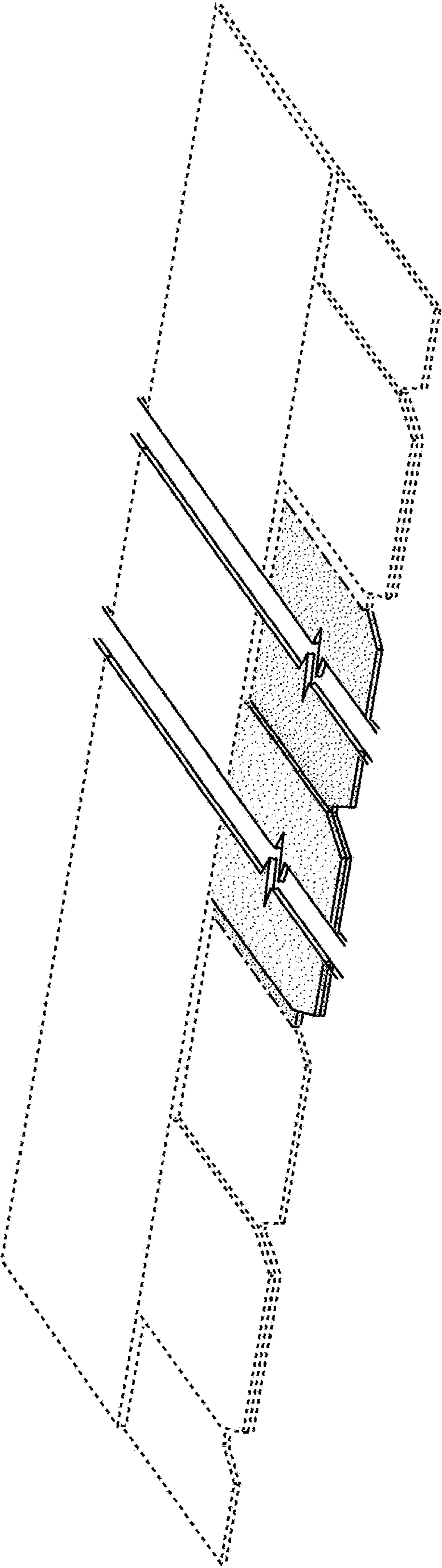


FIG. 8

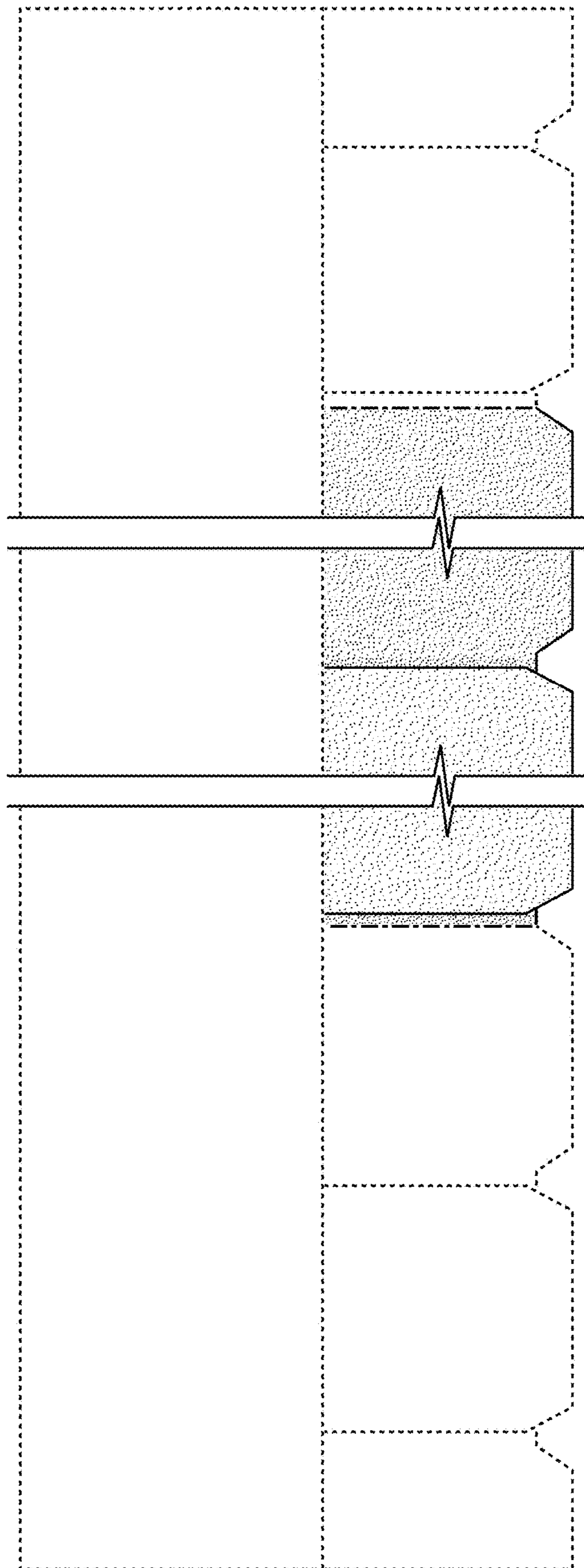


FIG. 9

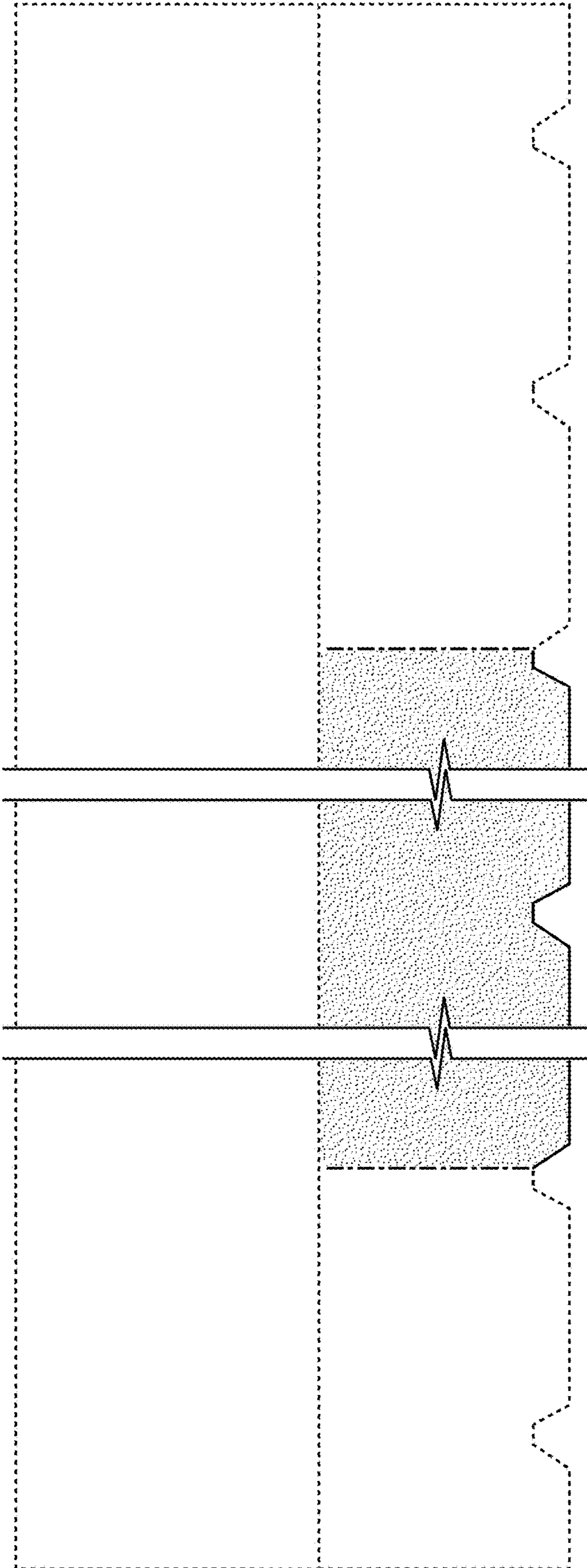


FIG. 10



FIG. 11



FIG. 12



FIG. 13



FIG. 14

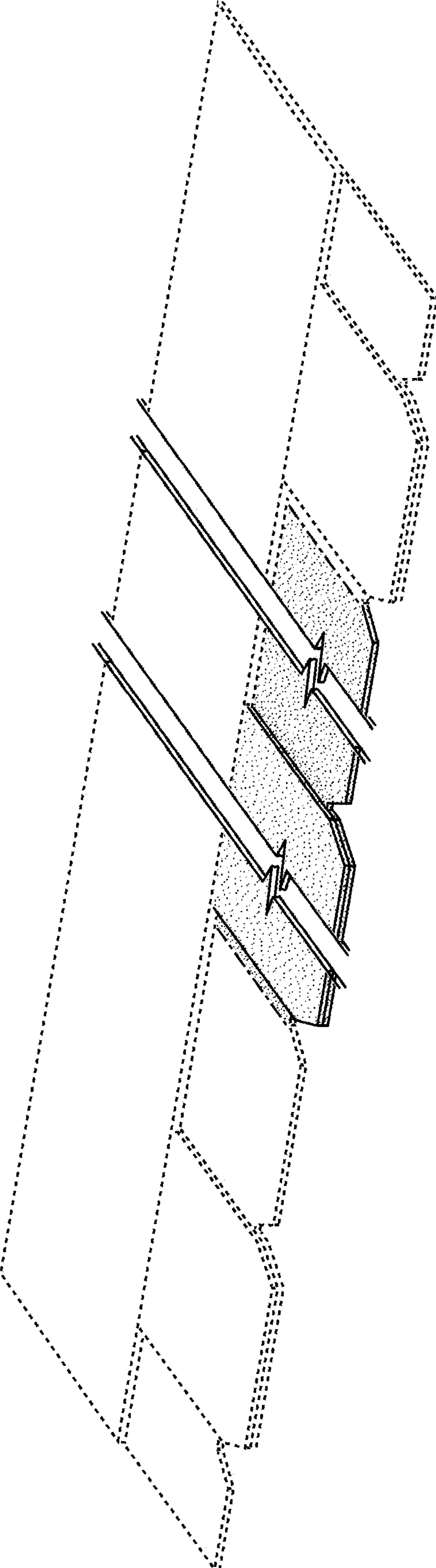


FIG. 15

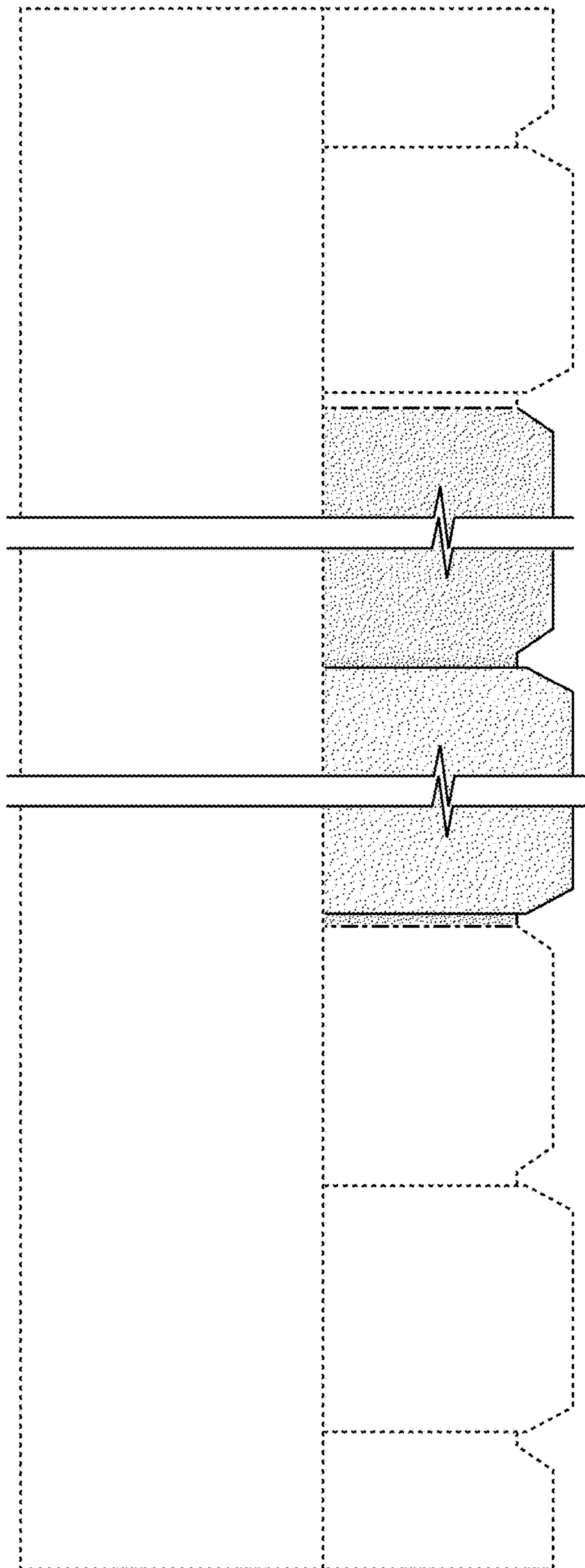


FIG. 16

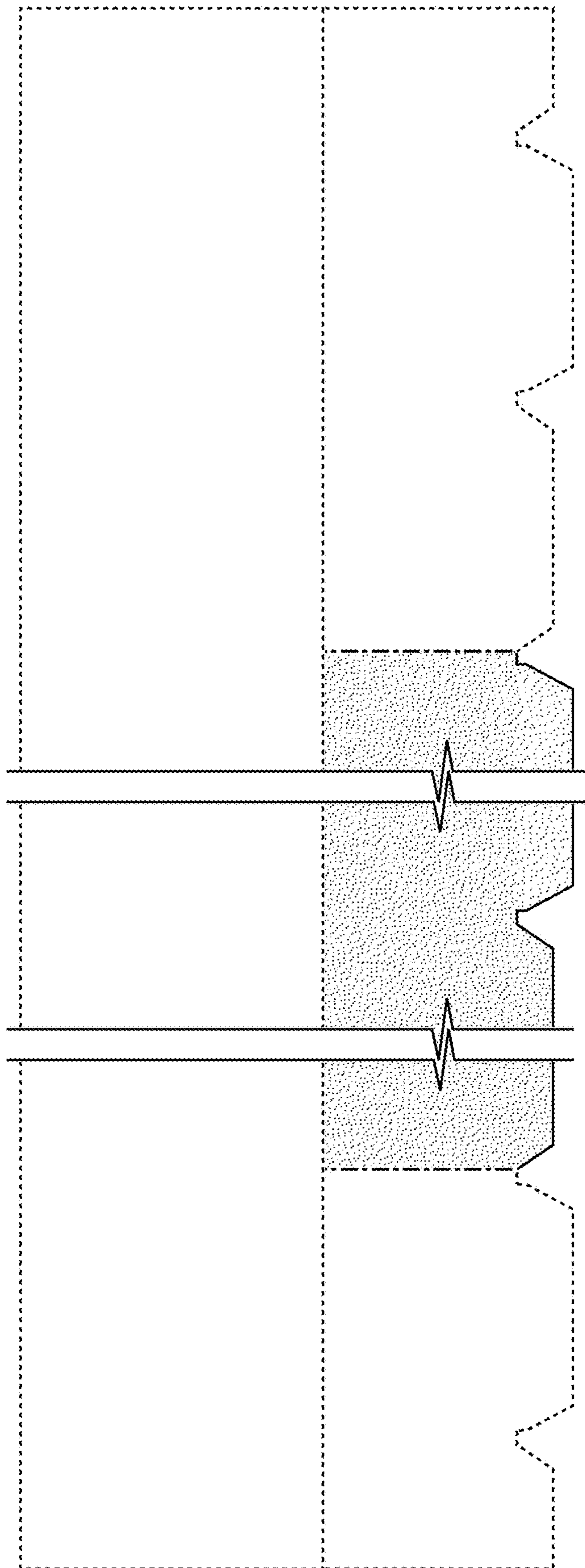


FIG. 17

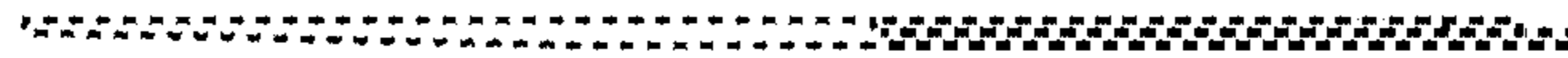


FIG. 18



FIG. 19



FIG. 20



FIG. 21