



US0D1026238S

(12) **United States Design Patent** (10) **Patent No.:** **US D1,026,238 S**
Obie (45) **Date of Patent:** **** May 7, 2024**

(54) **CONTACT LENS TOOL**
(71) Applicant: **Spencer Obie**, Houston, TX (US)
(72) Inventor: **Spencer Obie**, Houston, TX (US)
(**) Term: **15 Years**
(21) Appl. No.: **29/822,152**
(22) Filed: **Jan. 6, 2022**
(51) **LOC (14) Cl.** **16-06**
(52) **U.S. Cl.**
USPC **D16/331**
(58) **Field of Classification Search**
USPC D24/133, 150, 172, 211, 214; D16/330,
D16/331
CPC ... Y10S 134/901; G02C 13/00; G02C 13/008;
A61F 9/0061; B24B 13/0025; B24B
9/142
See application file for complete search history.

D814,554 S * 4/2018 Singletary, Jr. D16/331
2004/0196430 A1 10/2004 Graham
2014/0159397 A1 6/2014 Saitoh
2014/0358124 A1* 12/2014 Glasser A61F 9/0008
604/521
2023/0210691 A1* 7/2023 Obie B25J 1/04
294/1.2

FOREIGN PATENT DOCUMENTS

WO WO1994018922 A1 9/1994

* cited by examiner

Primary Examiner — Michael A Maharajh

(57) **CLAIM**

The ornamental design for a contact lens tool, as shown and described.

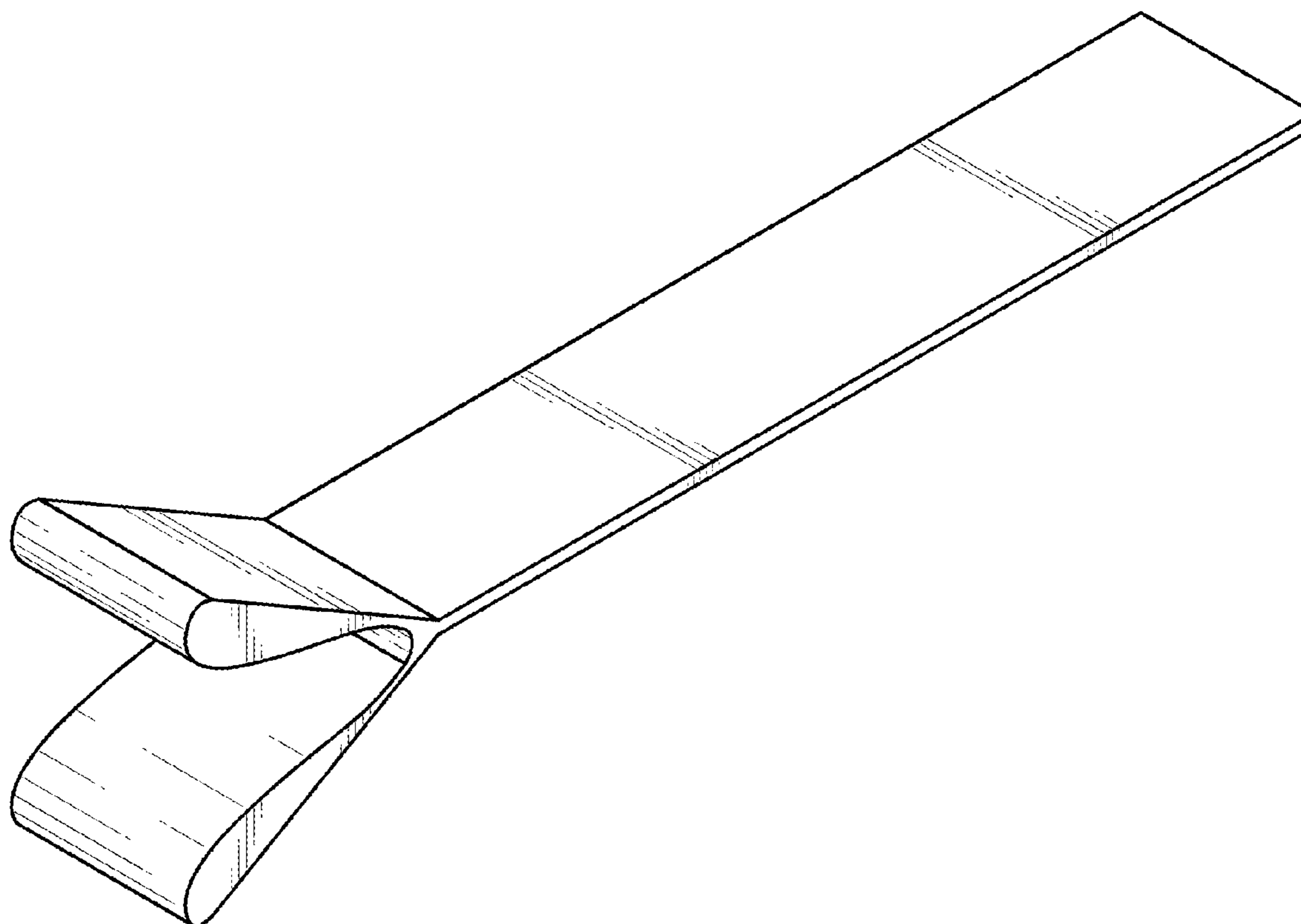
DESCRIPTION

FIG. 1 is a top-front-left perspective view of a contact lens tool showing my new design;
FIG. 2 is a bottom-rear-right perspective view thereof;
FIG. 3 is a front elevational view thereof;
FIG. 4 is a rear elevational view thereof;
FIG. 5 is a left elevational view thereof;
FIG. 6 is a right elevational view thereof;
FIG. 7 is a top plan view thereof; and,
FIG. 8 is a bottom plan view thereof.

1 Claim, 8 Drawing Sheets

(56) **References Cited**
U.S. PATENT DOCUMENTS

D249,799 S * 10/1978 Zoltner D16/331
D261,896 S * 11/1981 Schurgin D16/331
D272,073 S * 1/1984 Cointment D16/331
4,479,672 A 10/1984 Jermyn
D296,791 S * 7/1988 Kolack D16/331
4,986,586 A 1/1991 Eilrich
D374,246 S * 10/1996 Konopka D16/331
D561,815 S * 2/2008 Yee D16/330



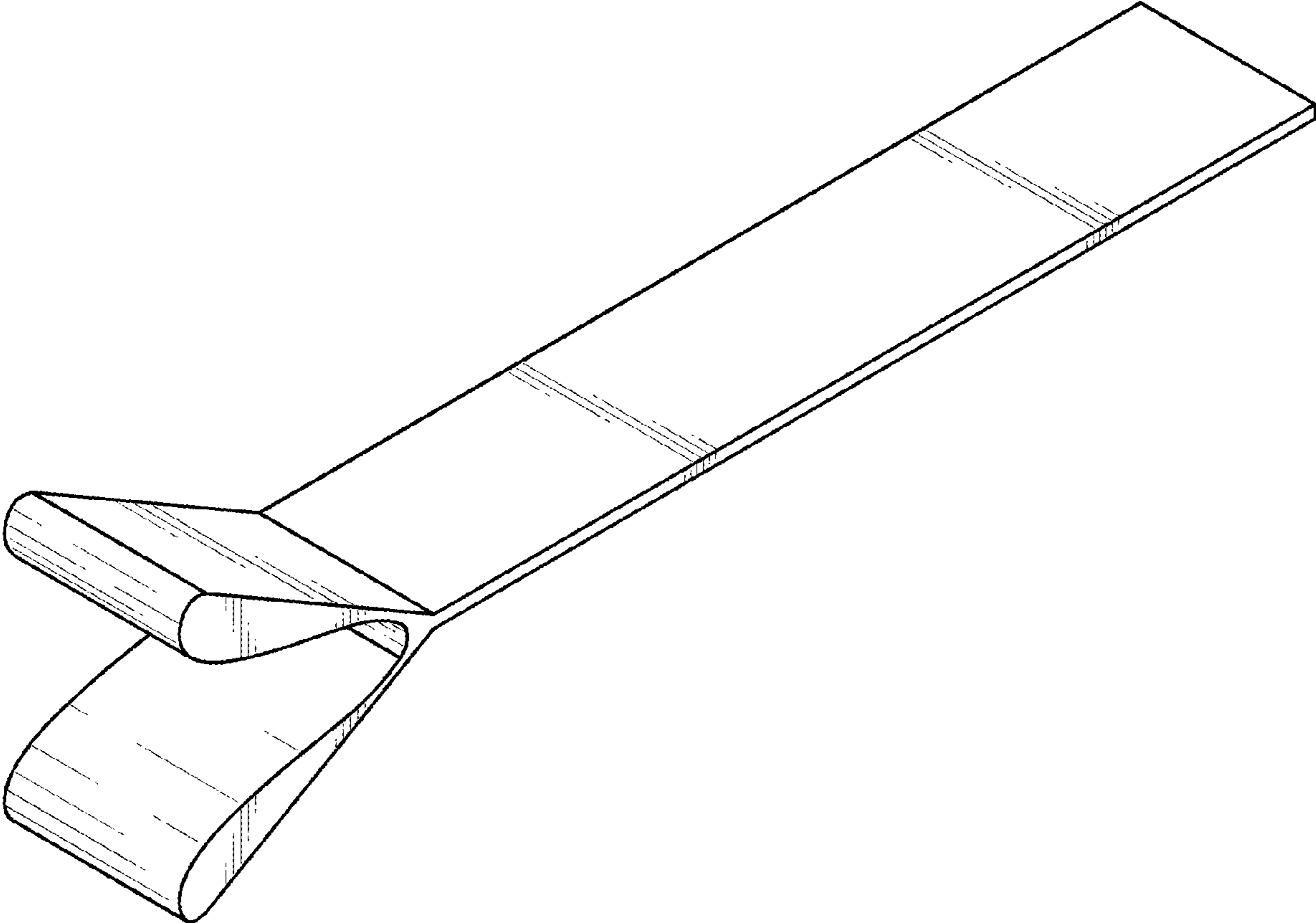


FIG. 1

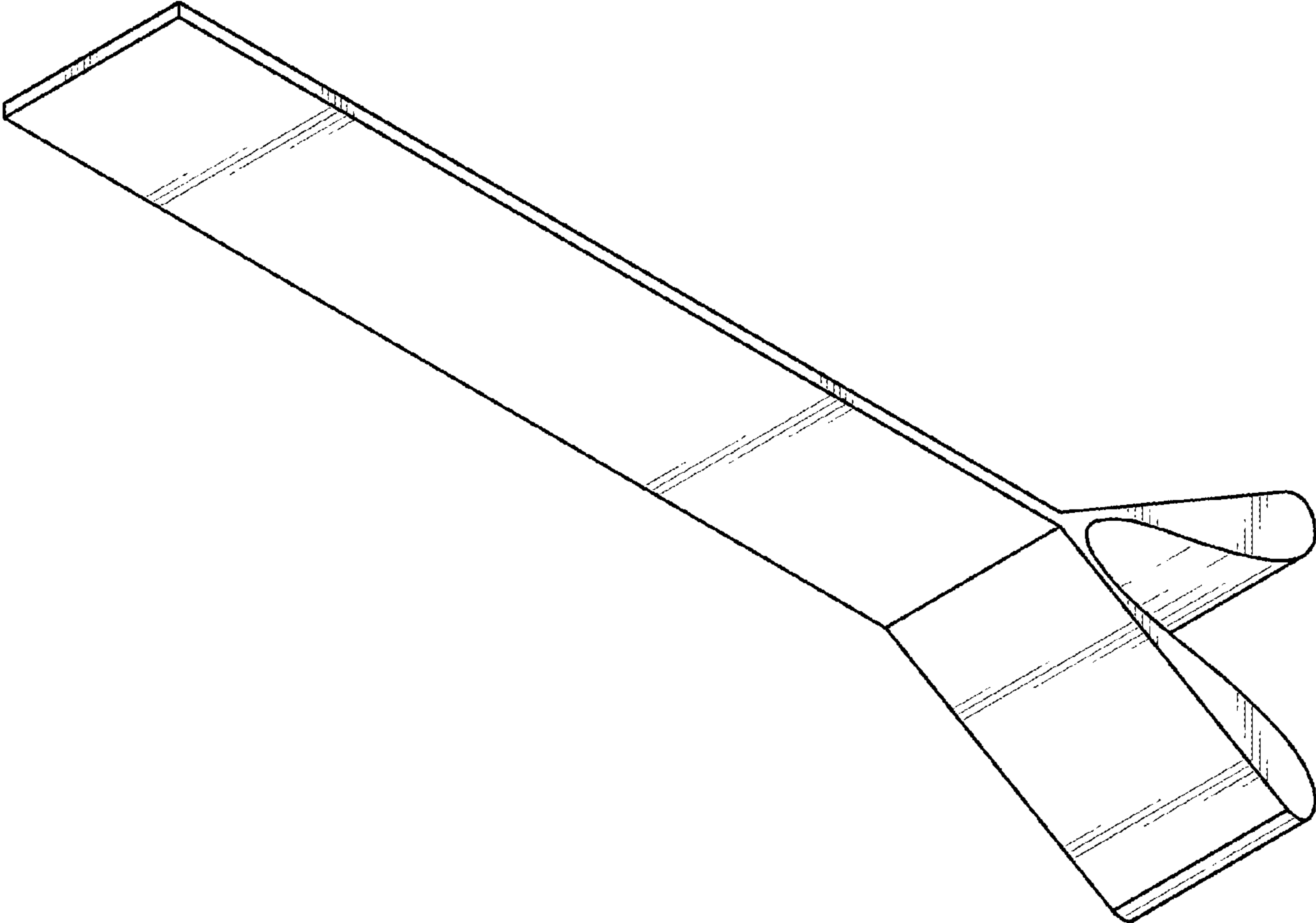


FIG. 2

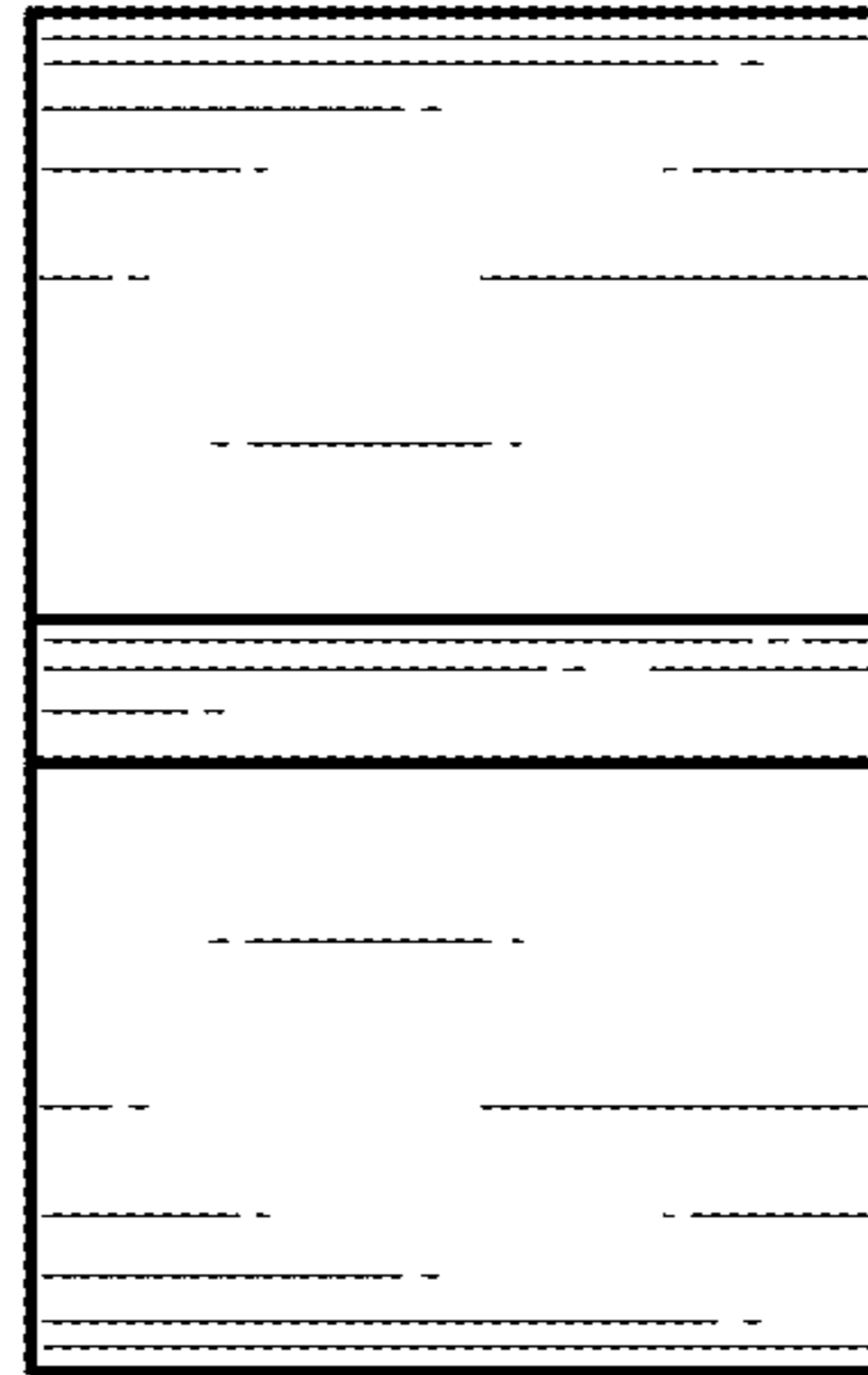


FIG. 3

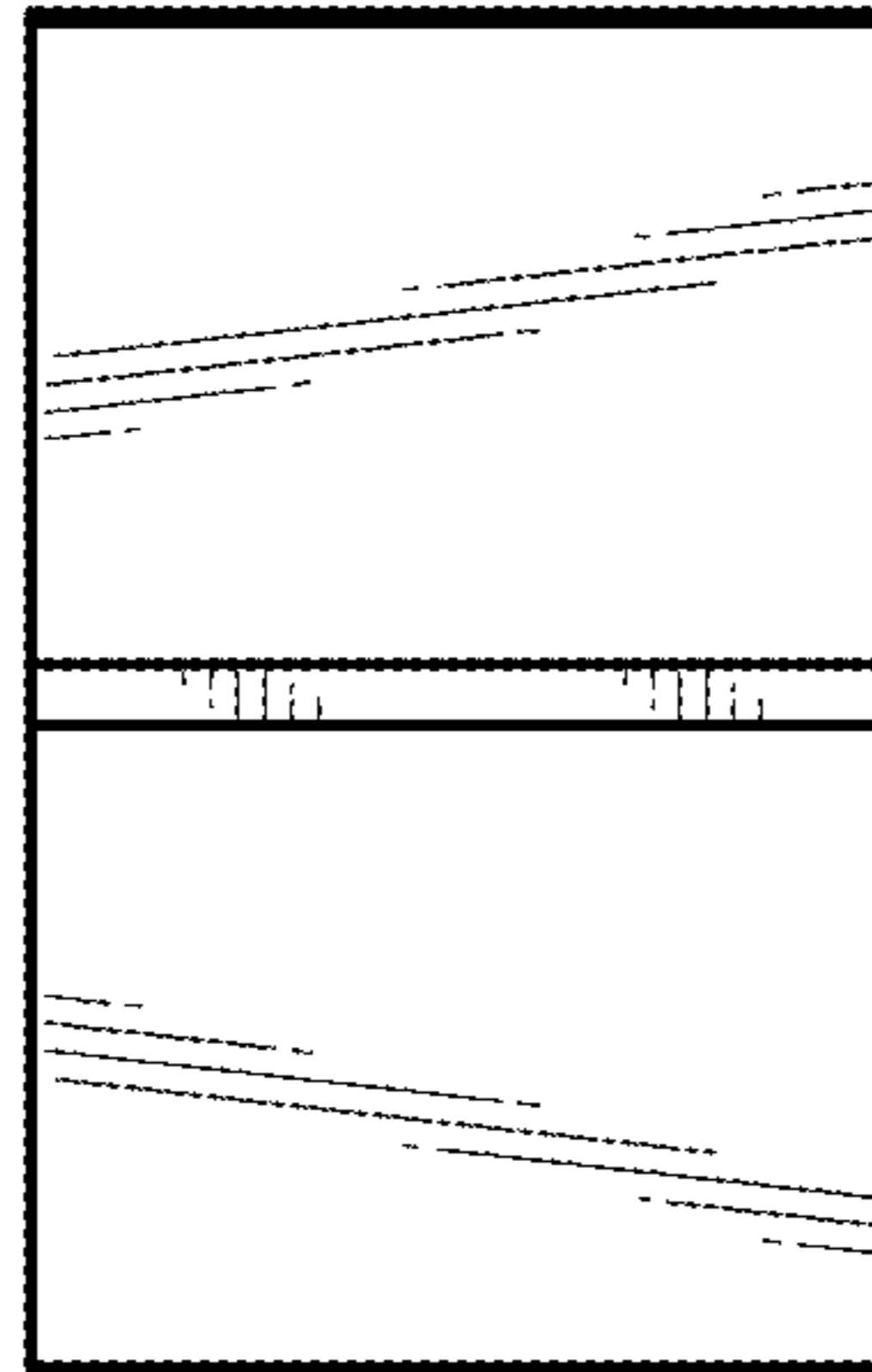


FIG. 4

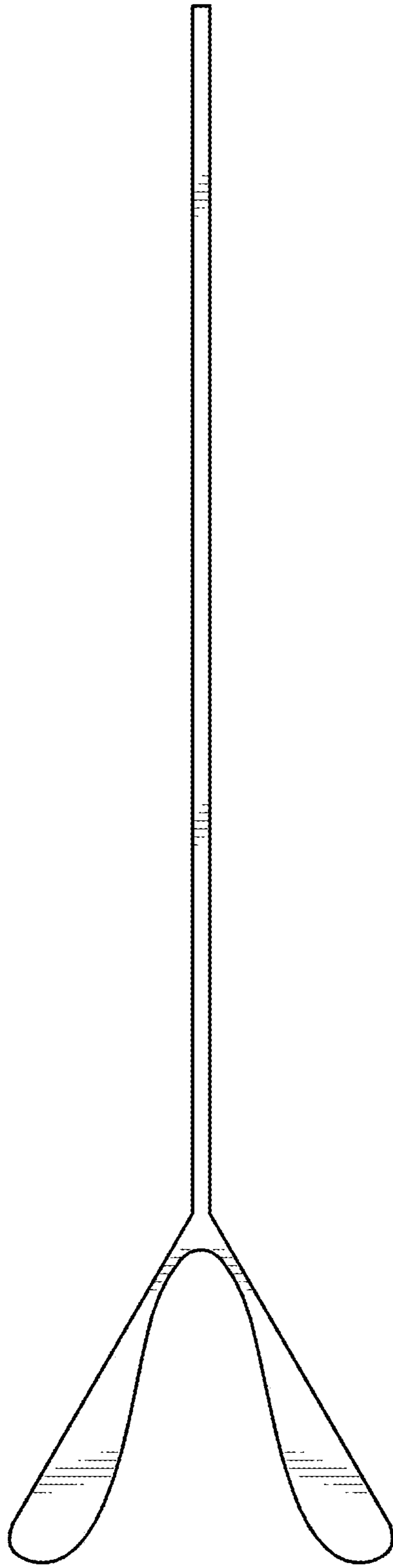


FIG. 5

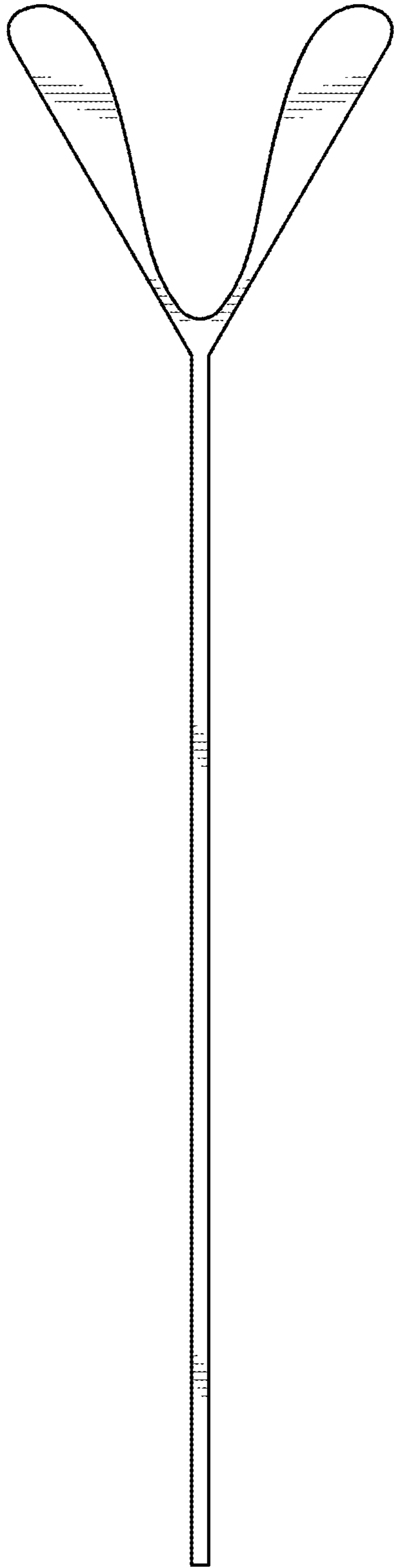


FIG. 6

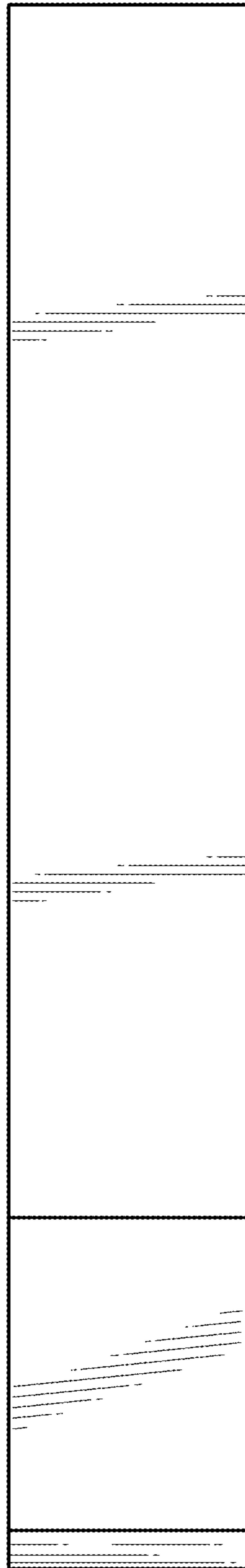


FIG. 7

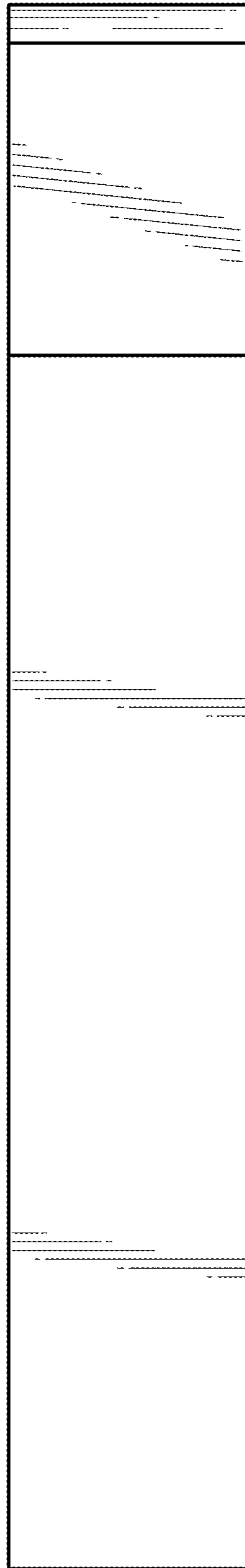


FIG. 8