



US0D1026176S

(12) **United States Design Patent** (10) **Patent No.:** **US D1,026,176 S**  
**Rennie** (45) **Date of Patent:** **\*\* May 7, 2024**

(54) **HANDLE FOR A VALVE**  
(71) Applicant: **Plast-O-Matic Valves, Inc.**, Cedar Grove, NJ (US)  
(72) Inventor: **Patrick Rennie**, Cedar Grove, NJ (US)  
(73) Assignee: **Plast-O-Matic Valves, Inc.**, Cedar Grove, NJ (US)  
(\*\*) Term: **15 Years**  
(21) Appl. No.: **29/785,877**  
(22) Filed: **May 27, 2021**  
(51) **LOC (14) Cl.** ..... **23-01**  
(52) **U.S. Cl.**  
USPC ..... **D23/245**  
(58) **Field of Classification Search**  
USPC ..... D23/213, 233-241, 244, 245, 246-249, D23/321, 421; D15/7, 144.2; D24/129; D8/70  
CPC ..... F16K 1/00; F16K 3/00; F16K 5/00; F16K 7/00; F16K 11/00; F16K 13/00; F16K 15/00; F16K 17/00; F16K 21/00  
See application file for complete search history.

D494,660 S \* 8/2004 Herring ..... D23/253  
D503,216 S \* 3/2005 Berkman  
D626,630 S \* 11/2010 Wilson ..... D23/249  
D687,697 S \* 8/2013 Troise ..... D8/305  
D688,776 S \* 8/2013 Antunez ..... D23/233  
D704,312 S \* 5/2014 Kuo ..... D23/259  
D710,485 S \* 8/2014 Nudo ..... D9/437  
D742,265 S \* 11/2015 Harck ..... D10/103  
D777,297 S \* 1/2017 Twitchett ..... D23/235  
D862,663 S \* 10/2019 Kulig ..... D23/253  
10,683,946 B2 \* 6/2020 Wakeman ..... F16K 24/048  
D894,347 S \* 8/2020 Harrap ..... D23/262  
D947,328 S \* 3/2022 Klatt ..... D23/262  
D976,678 S \* 1/2023 Becker ..... D8/349  
2006/0016483 A1 \* 1/2006 Crisp ..... F16K 15/00  
137/516.11

\* cited by examiner

*Primary Examiner* — Dana K Weiland  
*Assistant Examiner* — Kathryn Elizabeth Zieno  
(74) *Attorney, Agent, or Firm* — Notaro, Michalos & Zaccaria P.C.

(57) **CLAIM**

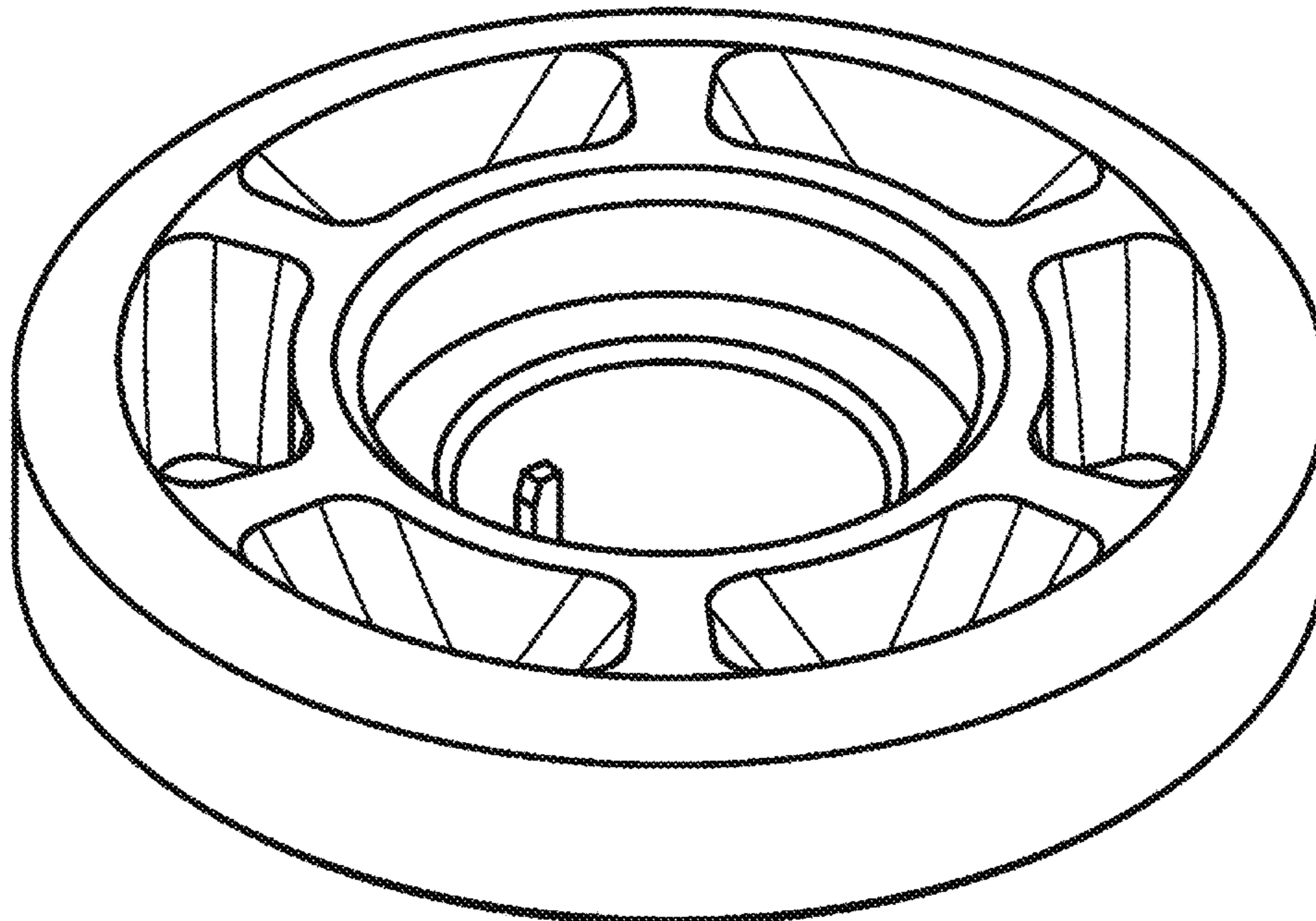
The ornamental design for a handle for a valve, as shown and described.

**DESCRIPTION**

FIG. 1 is a top, right perspective view of a handle for a valve, showing my design.  
FIG. 2 is a top plan view thereof;  
FIG. 3 is a bottom plan view thereof;  
FIG. 4 is a front elevational view thereof, the rear, left and right elevational views being the same due to symmetry;  
FIG. 5 is a bottom, right perspective view thereof;  
FIG. 6 is a bottom, left perspective view thereof; and,  
FIG. 7 is a top, left perspective view thereof.

**1 Claim, 7 Drawing Sheets**

(56) **References Cited**  
U.S. PATENT DOCUMENTS  
D249,803 S 10/1978 Okano  
D252,339 S 7/1979 Okano  
D252,340 S 7/1979 Okano  
4,526,195 A \* 7/1985 Humphrey ..... F04B 39/1033  
428/113  
D330,319 S 10/1992 Linderman  
D376,412 S \* 12/1996 Bodell ..... D23/233  
D408,504 S 4/1999 Bowen  
D425,179 S \* 5/2000 Wrigley ..... D23/233



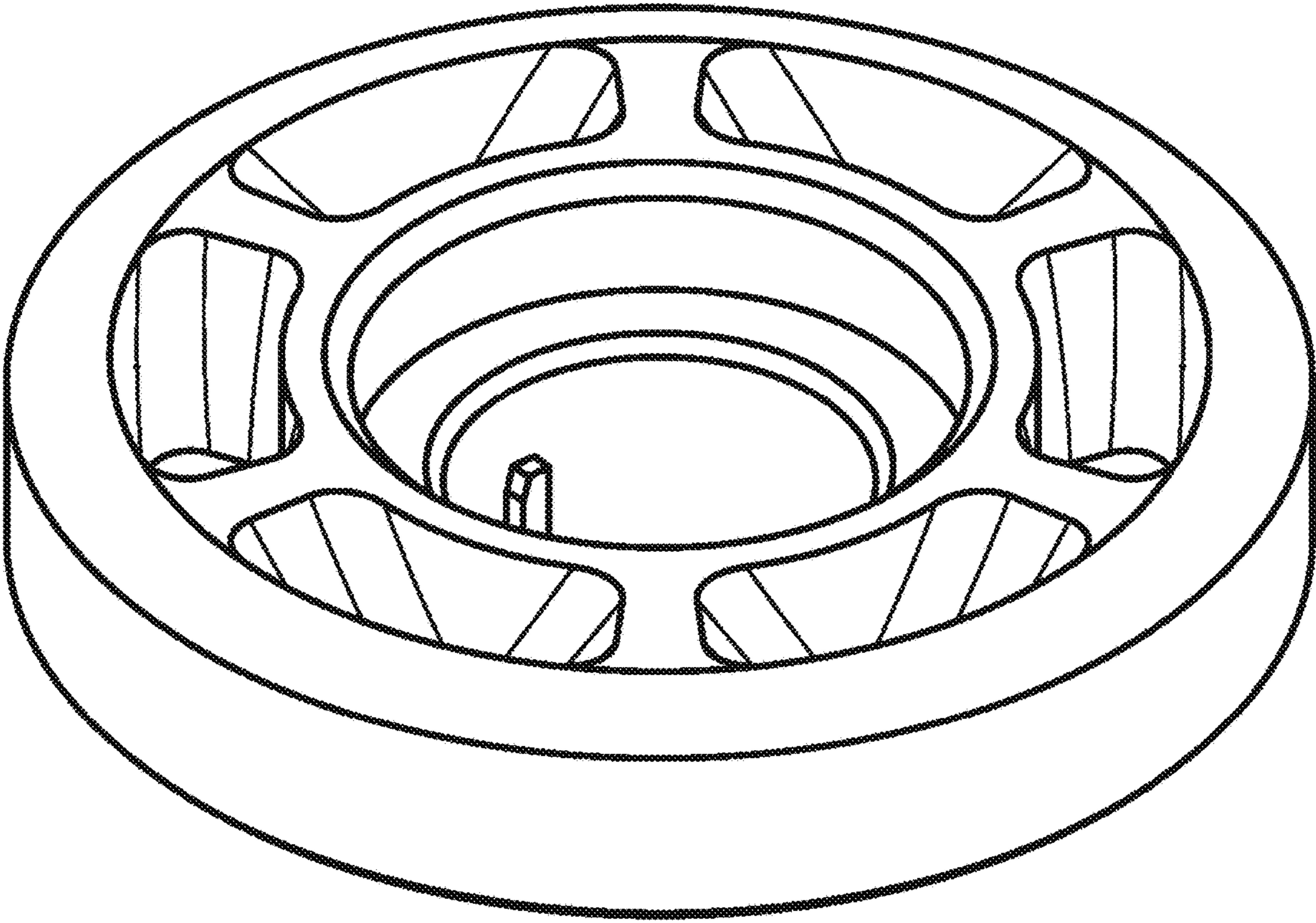


FIGURE 1



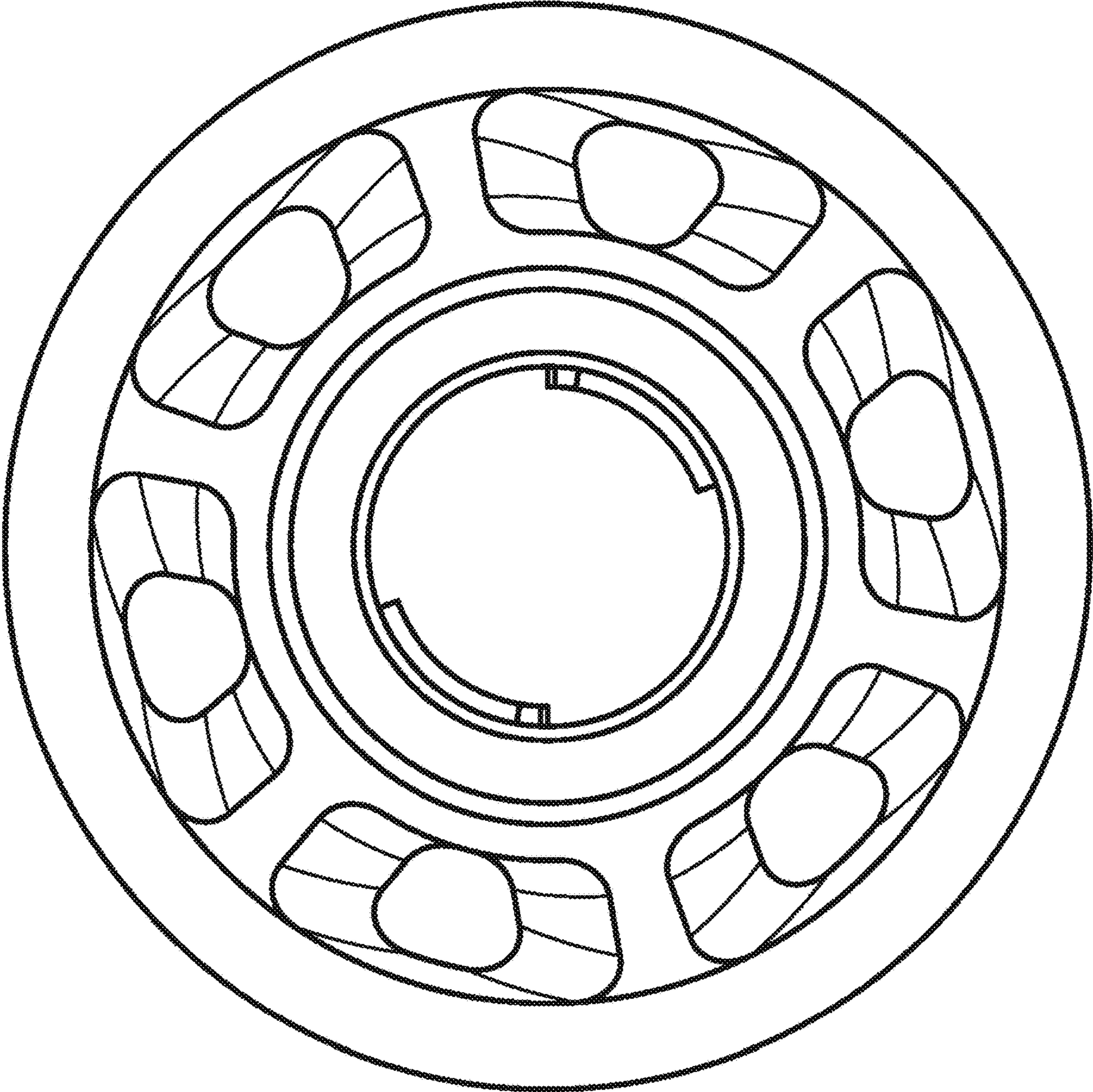


FIGURE 2

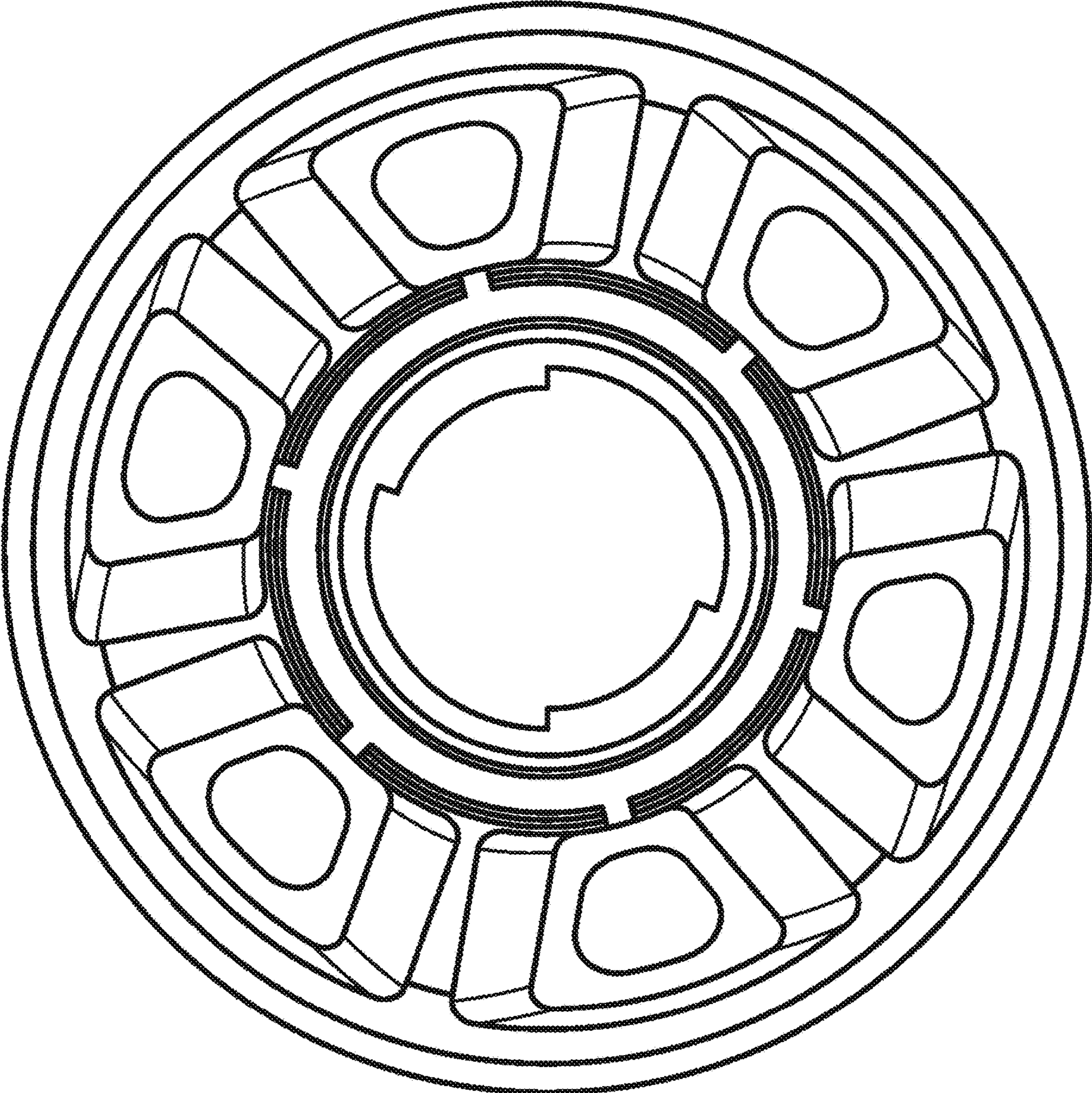


FIGURE 3

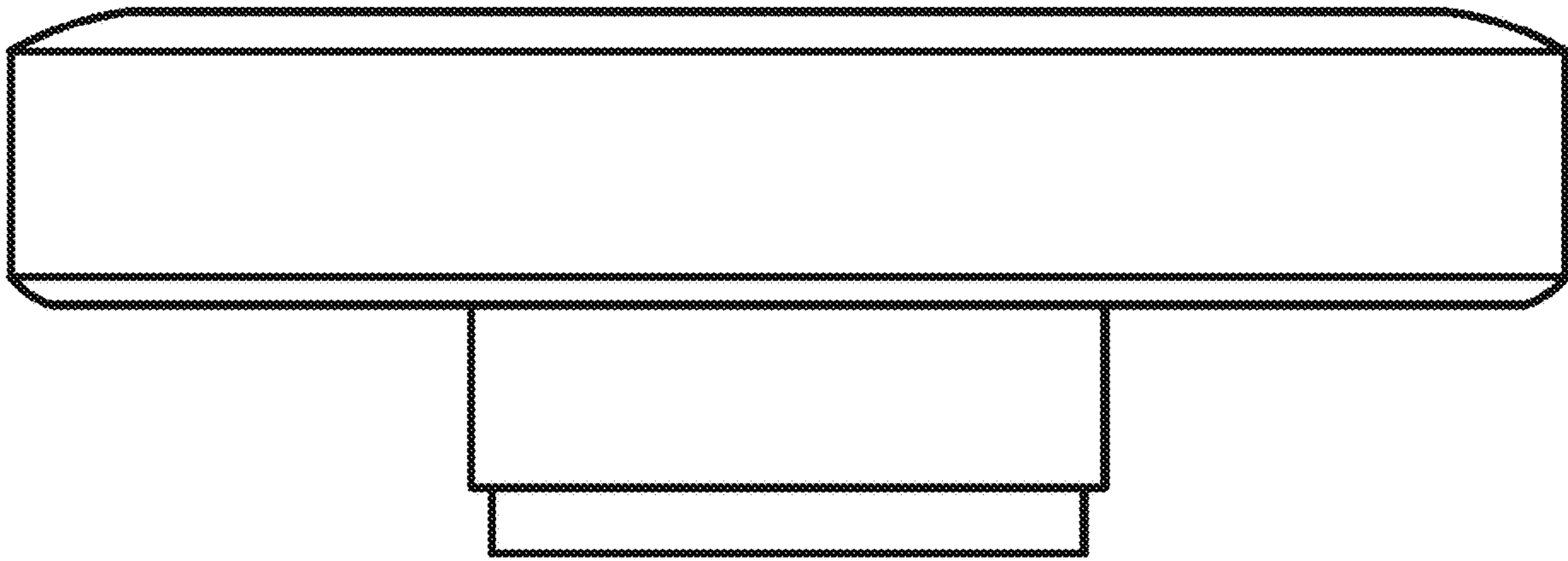


FIGURE 4



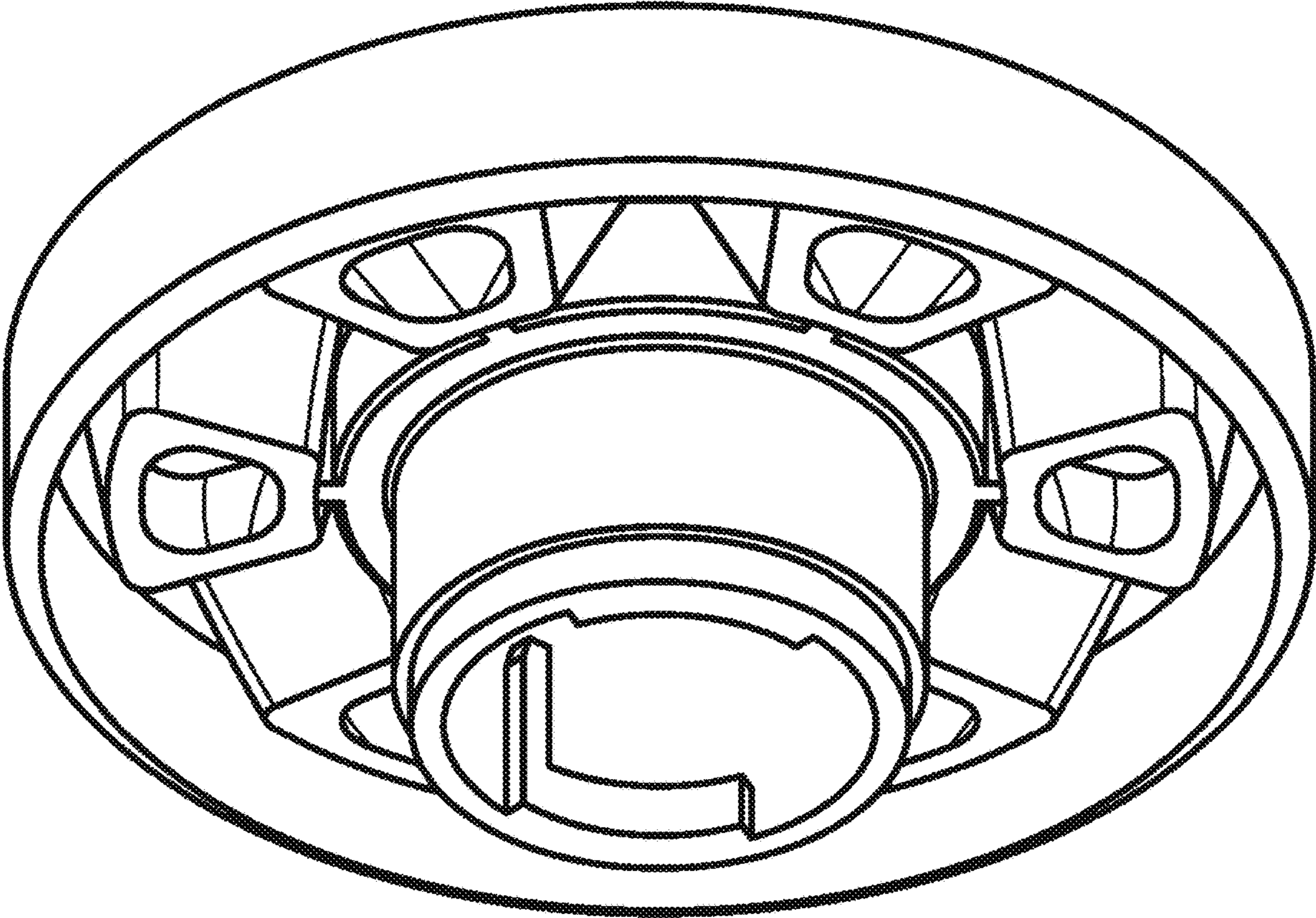


FIGURE 5

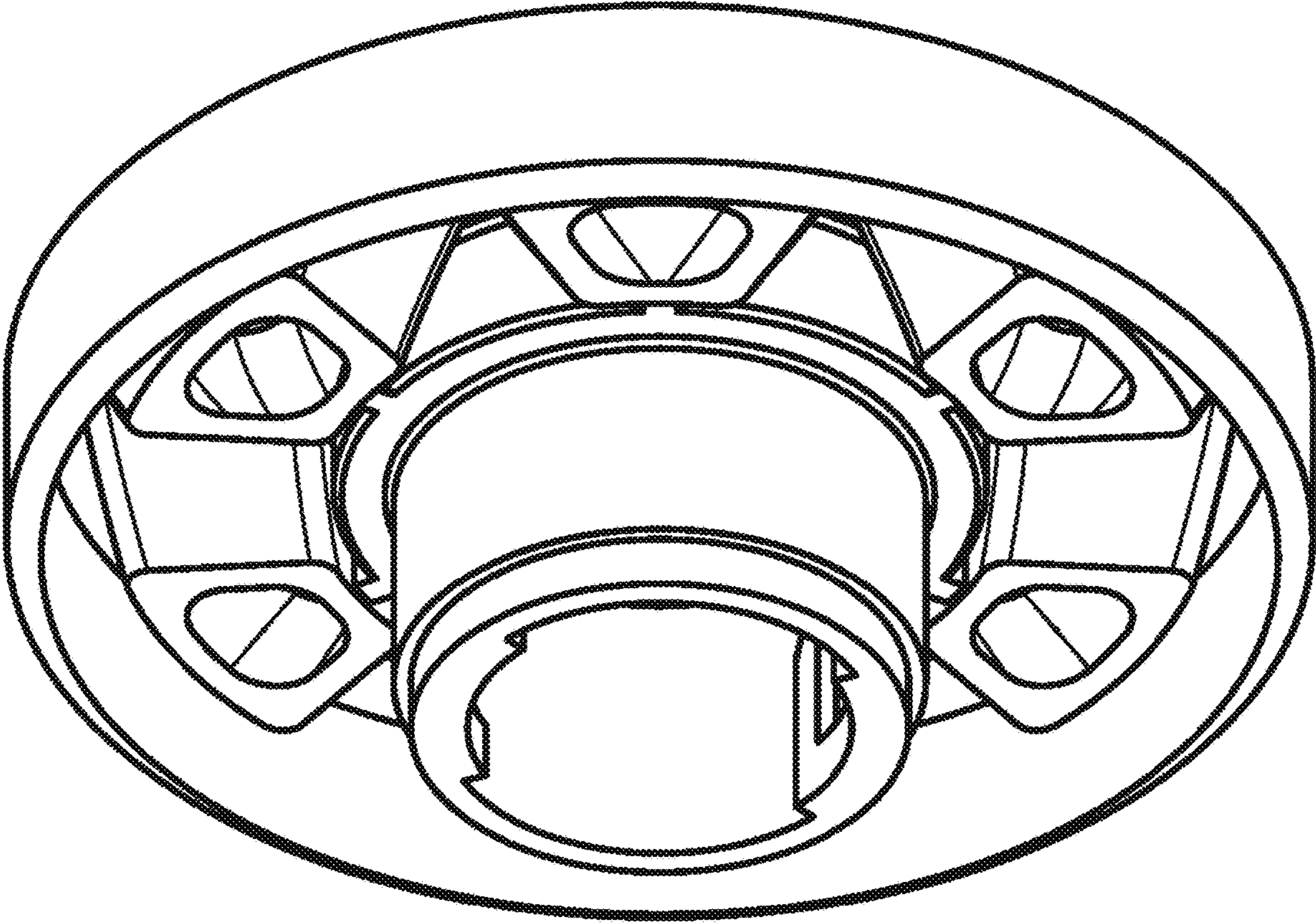


FIGURE 6

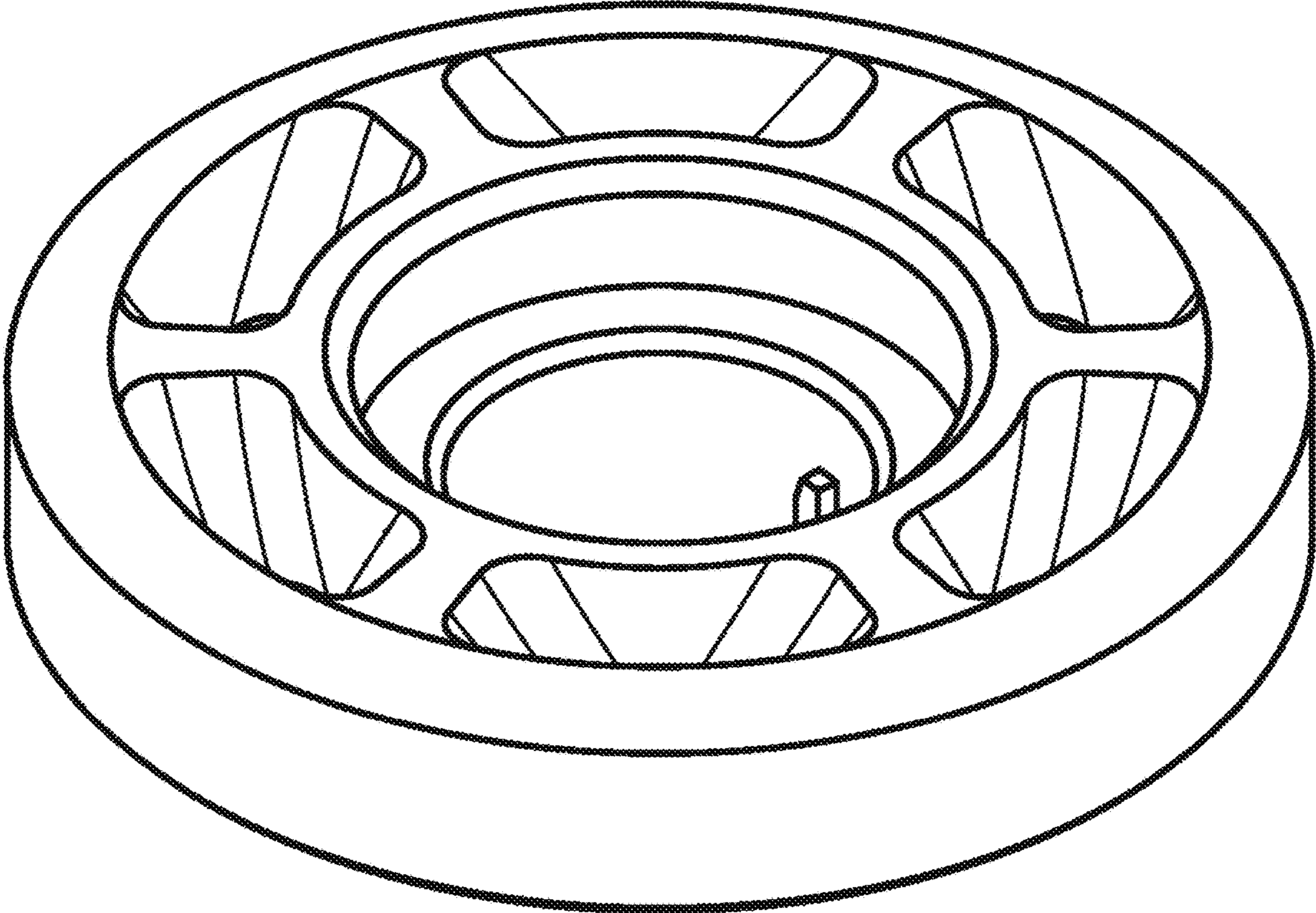


FIGURE 7