



US0D1026051S

(12) **United States Design Patent**  
**Wu et al.**

(10) **Patent No.: US D1,026,051 S**  
(45) **Date of Patent: \*\* May 7, 2024**

(54) **3D PRINTER**

(71) Applicant: **Shenzhen Anycubic Technology Co., Ltd.**, Shenzhen (CN)

(72) Inventors: **Zijiong Wu**, Shenzhen (CN); **Xin Ouyang**, Shenzhen (CN)

(73) Assignee: **Shenzhen Anycubic Technology Co., Ltd.**, Shenzhen (CN)

(\*\*) Term: **15 Years**

(21) Appl. No.: **29/817,531**

(22) Filed: **Dec. 2, 2021**

(30) **Foreign Application Priority Data**

Jun. 4, 2021 (CN) ..... 202130342248.7

(51) **LOC (14) Cl.** ..... **15-09**

(52) **U.S. Cl.**  
USPC ..... **D15/122**

(58) **Field of Classification Search**  
USPC ..... D15/122, 127, 135, 144, 144.1, 144.2;  
D18/34.3, 50, 53, 55, 57

(Continued)

(56) **References Cited**

**U.S. PATENT DOCUMENTS**

D289,406 S \* 4/1987 Shibayama ..... D15/199  
D289,407 S \* 4/1987 Shibayama ..... D15/199

(Continued)

*Primary Examiner* — Leanne Was-Englehart

(74) *Attorney, Agent, or Firm* — True Shepherd LLC;  
Andrew C. Cheng

(57) **CLAIM**

The ornamental design for a 3D printer, as shown and described.

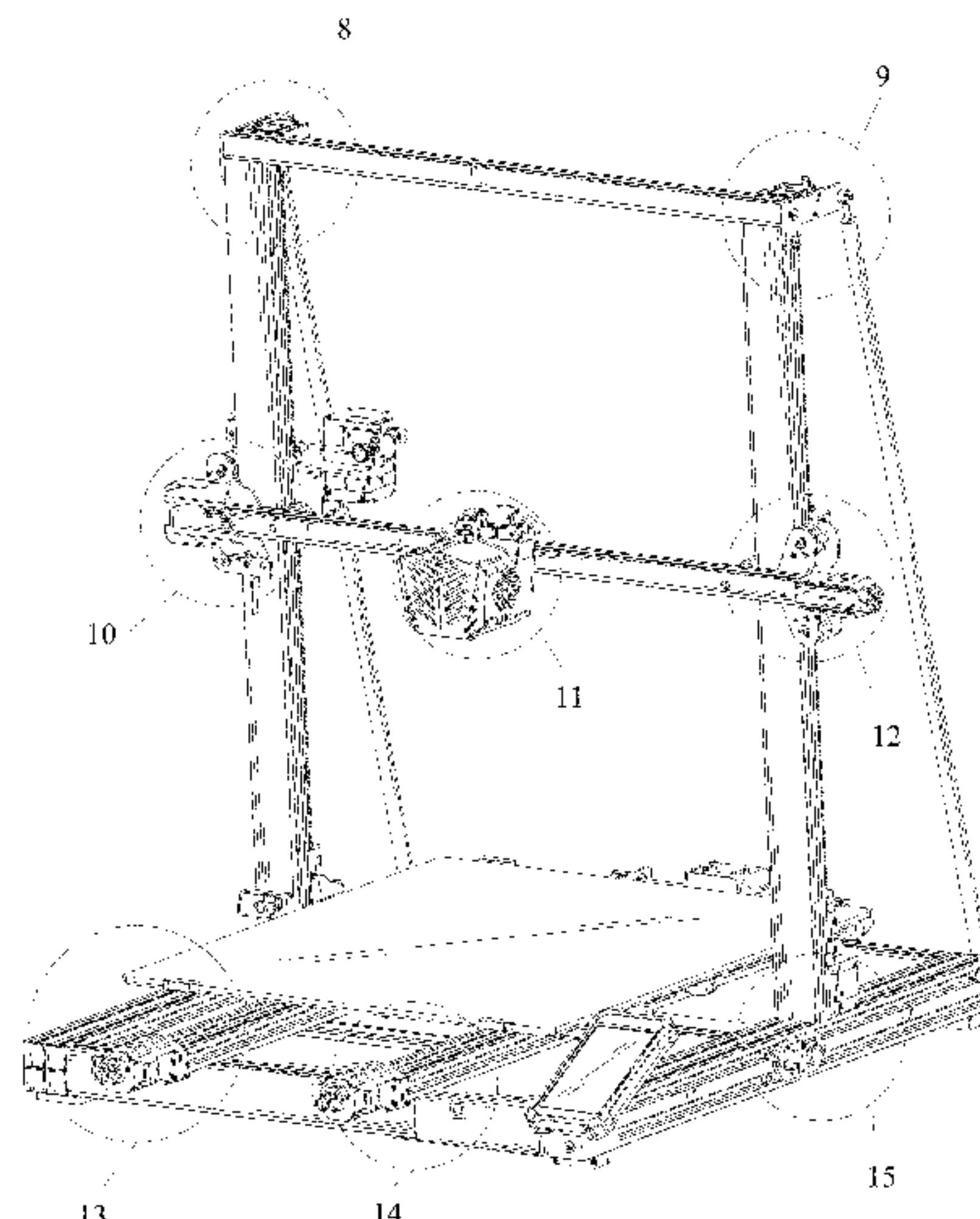
**DESCRIPTION**

FIG. 1 is a perspective view of a 3D printer showing my new design;

FIG. 2 is a front view thereof;  
FIG. 3 is a rear view thereof;  
FIG. 4 is a left side view thereof;  
FIG. 5 is a right side view thereof;  
FIG. 6 is a top plan view thereof; and  
FIG. 7 is a bottom plan view thereof;  
FIG. 8 is a partial enlarged view of portion 8 shown in FIG. 1;  
FIG. 9 is a partial enlarged view of portion 9 shown in FIG. 1;  
FIG. 10 is a partial enlarged view of portion 10 shown in FIG. 1;  
FIG. 11 is a partial enlarged view of portion 11 shown in FIG. 1;  
FIG. 12 is a partial enlarged view of portion 12 shown in FIG. 1;  
FIG. 13 is a partial enlarged view of portion 13 shown in FIG. 1;  
FIG. 14 is a partial enlarged view of portion 14 shown in FIG. 1;  
FIG. 15 is a partial enlarged view of portion 15 shown in FIG. 1;  
FIG. 16 is a partial enlarged view of portion 16 shown in FIG. 2;  
FIG. 17 is a partial enlarged view of portion 17 shown in FIG. 2;  
FIG. 18 is a partial enlarged view of portion 18 shown in FIG. 3;  
FIG. 19 is a partial enlarged view of portion 19 shown in FIG. 3;  
FIG. 20 is a partial enlarged view of portion 20 shown in FIG. 3;  
FIG. 21 is a partial enlarged view of portion 21 shown in FIG. 3;  
FIG. 22 is a partial enlarged view of portion 22 shown in FIG. 3;  
FIG. 23 is a partial enlarged view of portion 23 shown in FIG. 4; and,  
FIG. 24 is a partial enlarged view of portion 24 shown in FIG. 5.

The broken lines show portions of a 3D printer that form no part of the claimed design.

**1 Claim, 24 Drawing Sheets**



(58) **Field of Classification Search**

CPC ..... B29C 64/00; B29C 64/20; B29C 64/25;  
B29C 64/40; B29C 64/106; B29C 64/118;  
B29C 64/209; B32B 18/00; B33Y 30/00;  
B33Y 70/00; B33Y 80/00

See application file for complete search history.

(56) **References Cited**

U.S. PATENT DOCUMENTS

D786,950	S	*	5/2017	Armani	.....	D15/122
D861,749	S	*	10/2019	Besim	.....	D15/122
D896,288	S	*	9/2020	Jiang	.....	D15/127
D899,471	S	*	10/2020	Liu	.....	D15/122
D925,634	S	*	7/2021	Liu	.....	D15/199
D965,650	S	*	10/2022	Golu	.....	D15/122
D975,151	S	*	1/2023	Akey	.....	D15/199
D976,295	S	*	1/2023	Ouyang	.....	D15/144
D980,295	S	*	3/2023	He	.....	D15/122
D982,624	S	*	4/2023	Stoney	.....	D15/122
D986,932	S	*	5/2023	Lin	.....	D18/57

\* cited by examiner

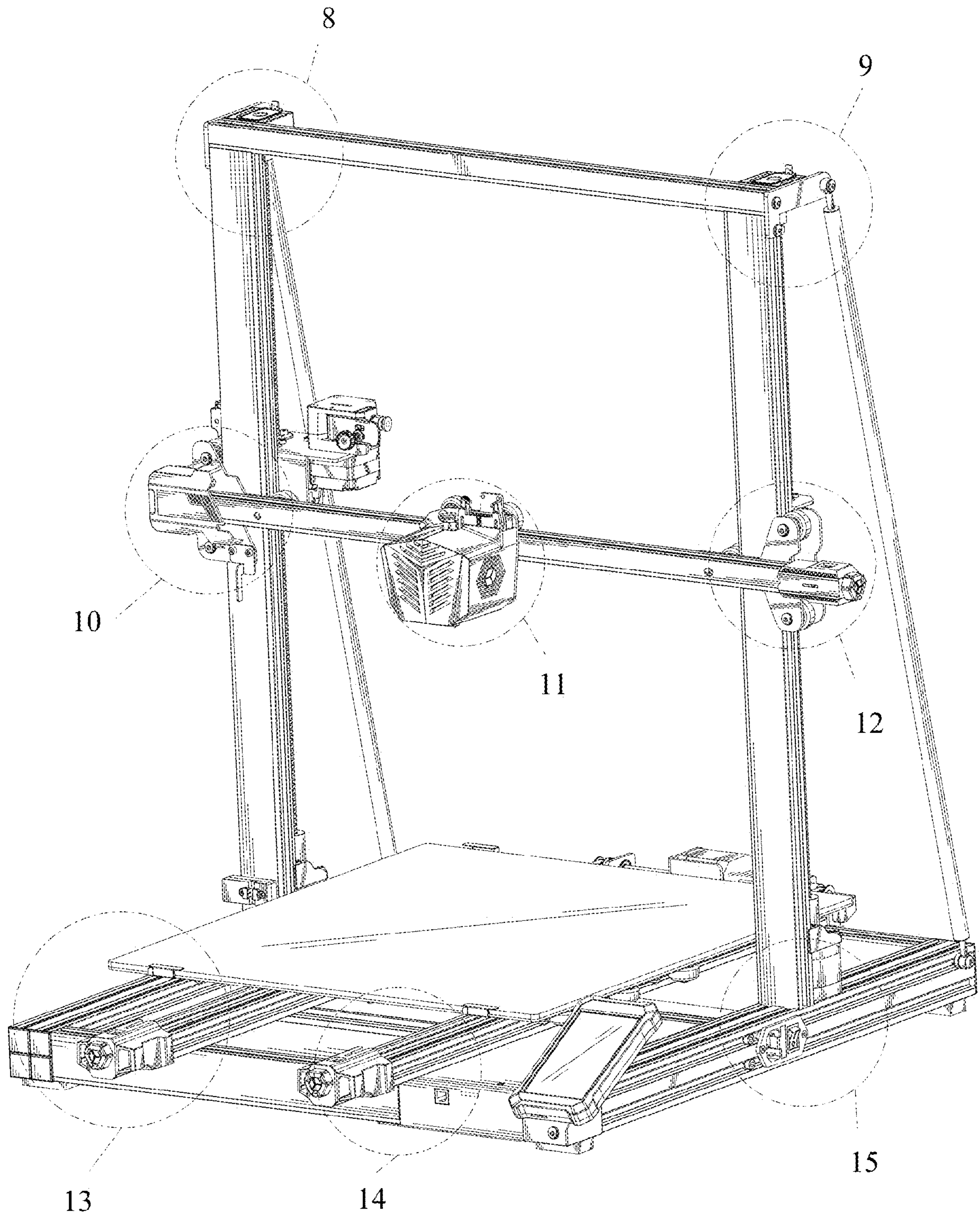


FIG. 1



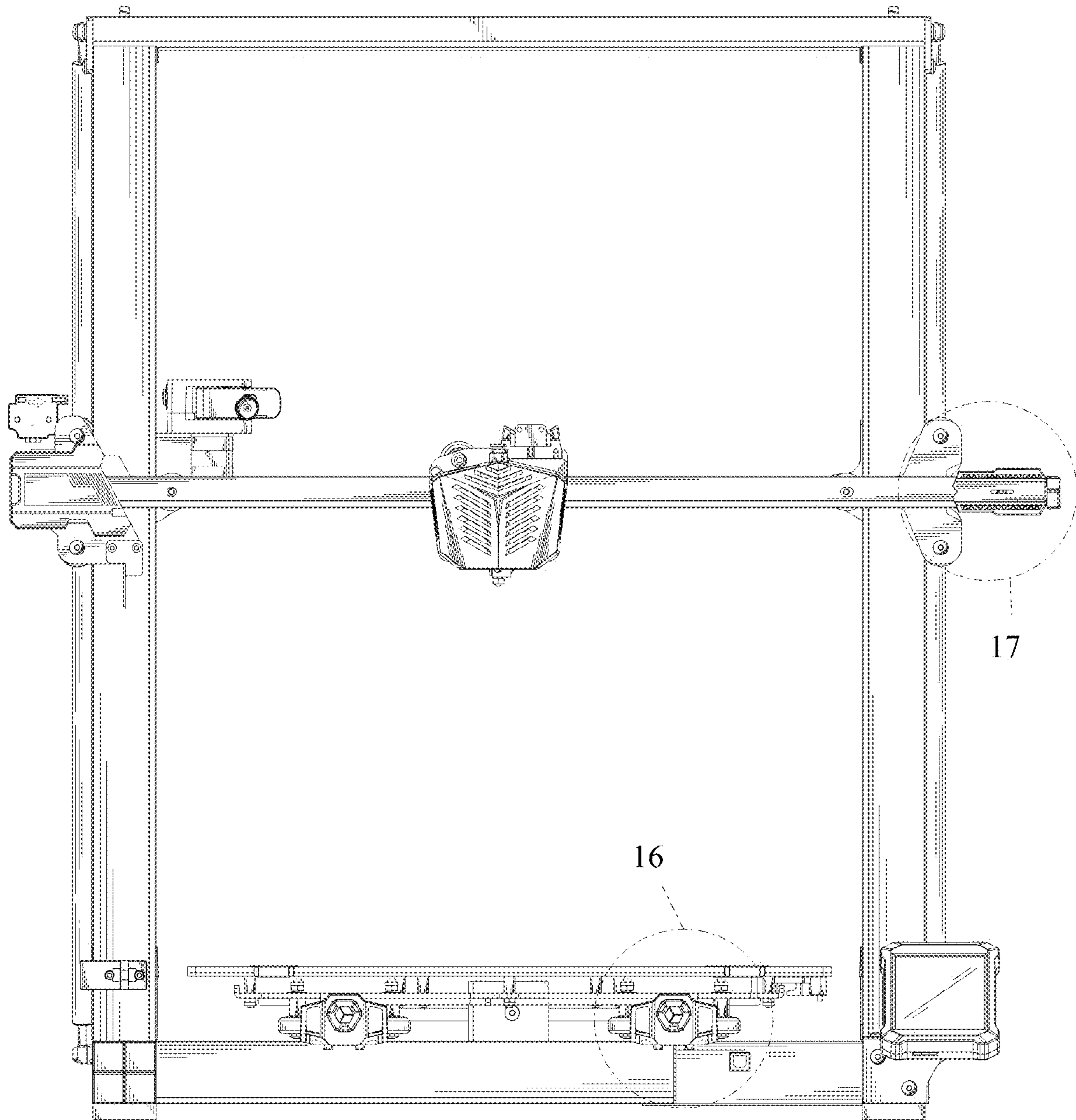


FIG. 2

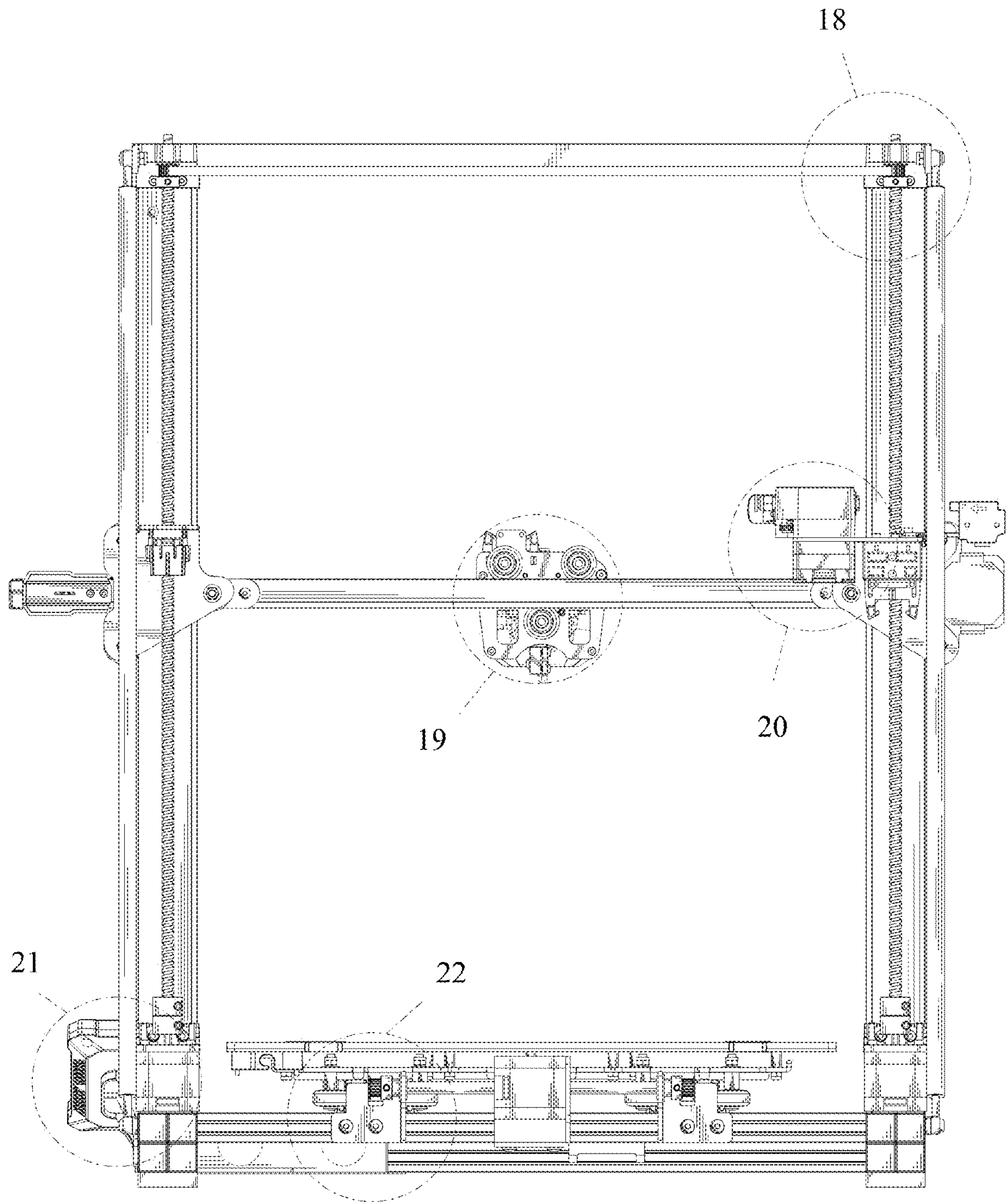


FIG. 3

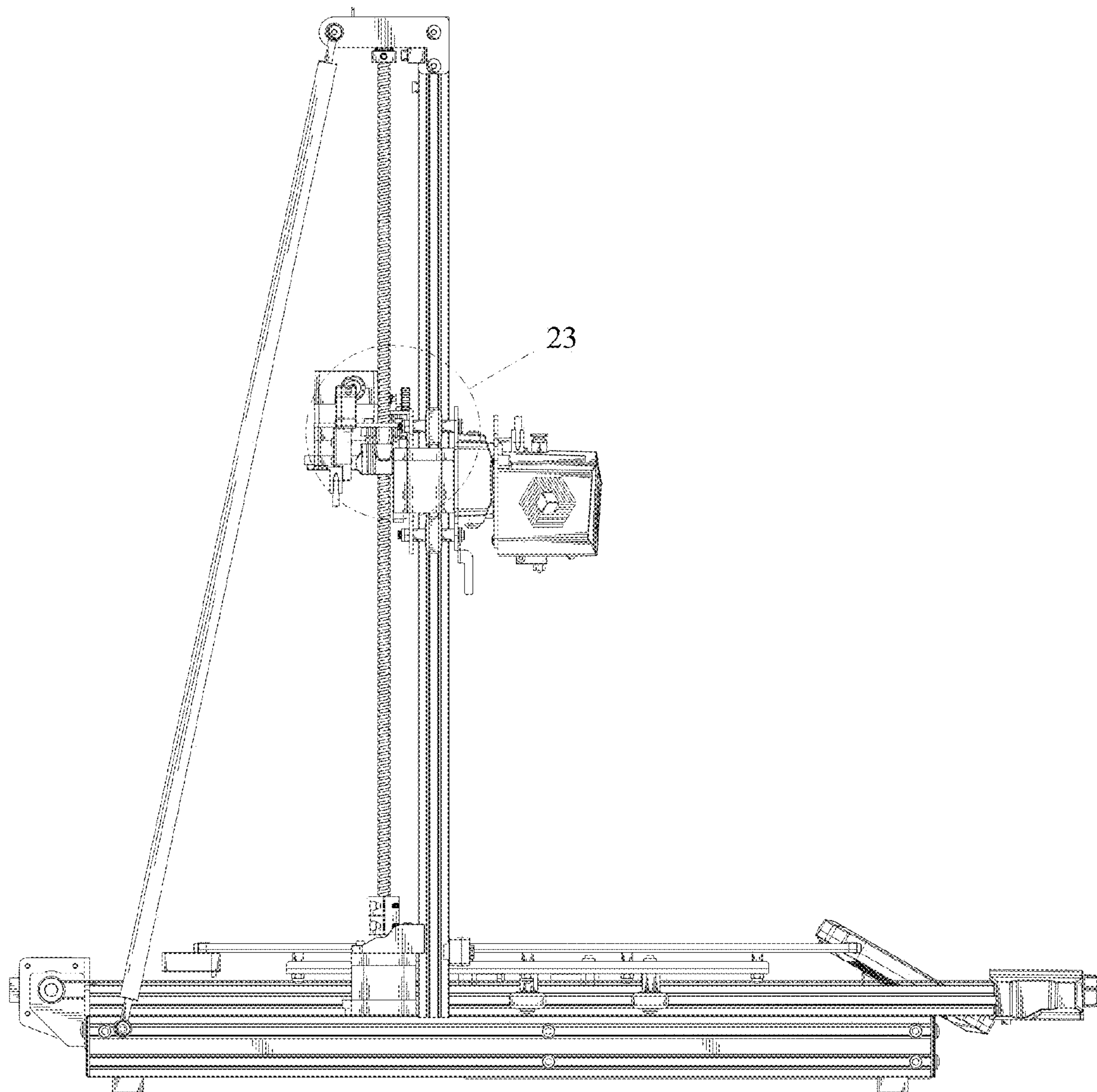


FIG. 4



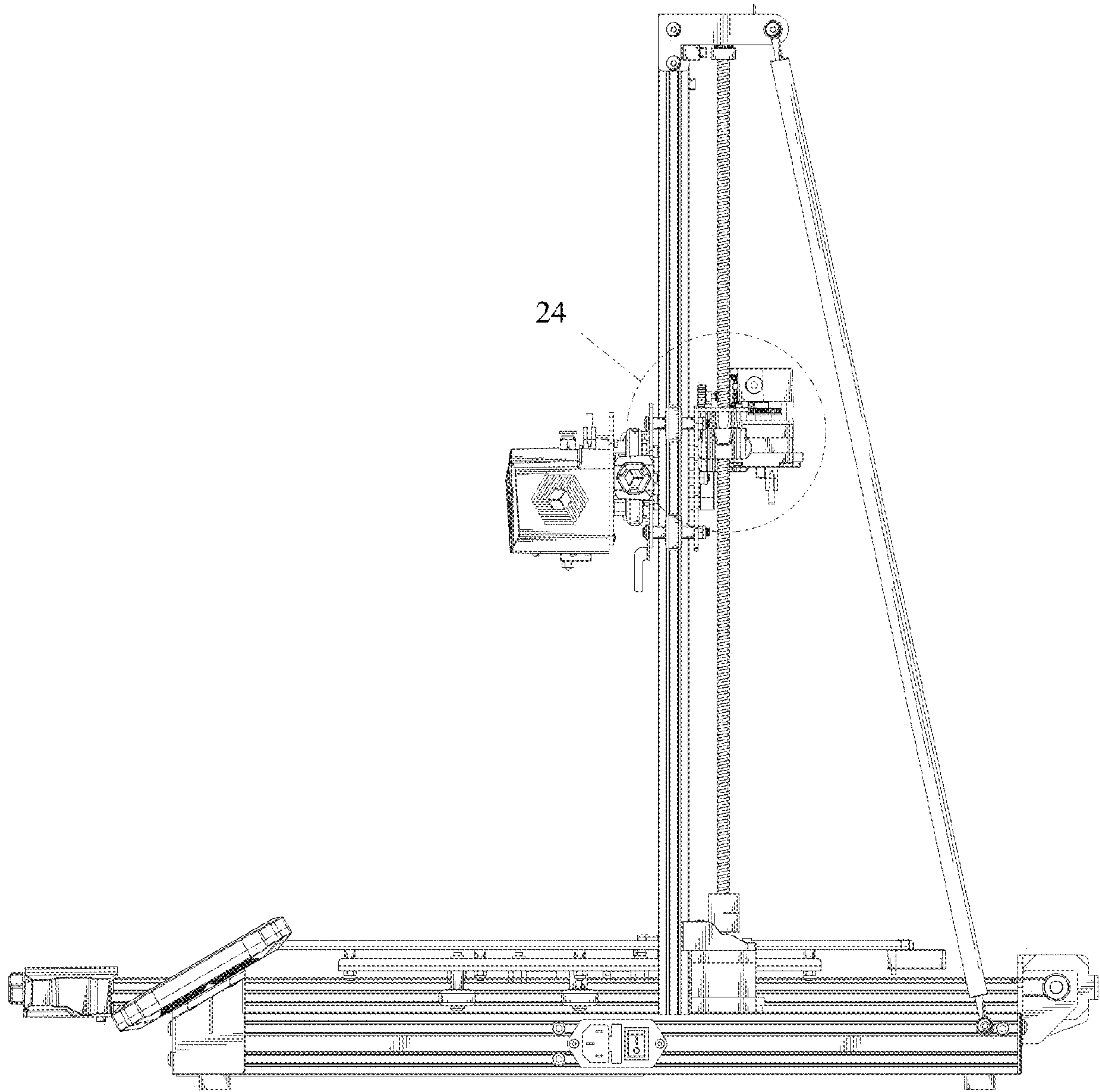


FIG. 5

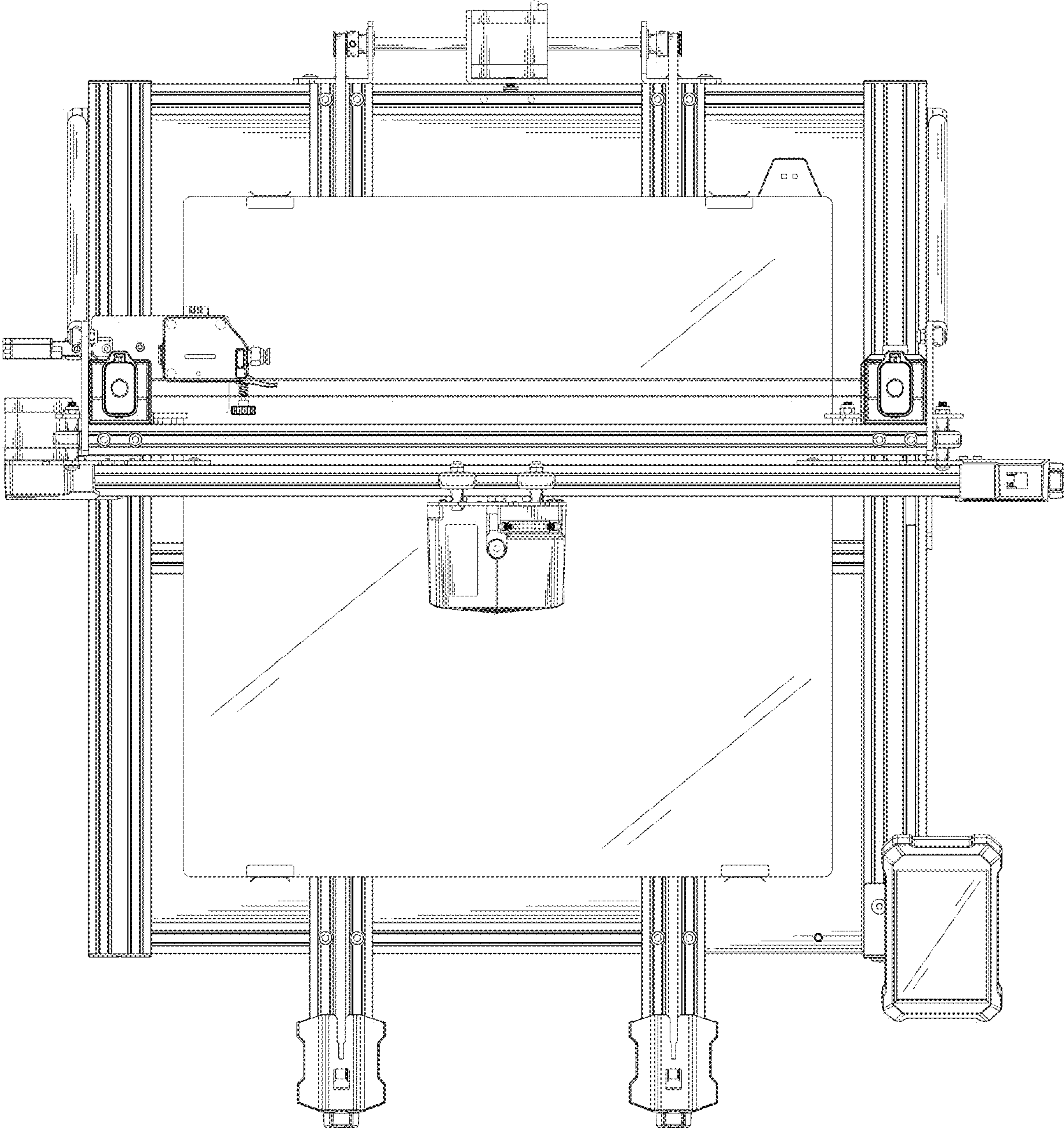


FIG. 6



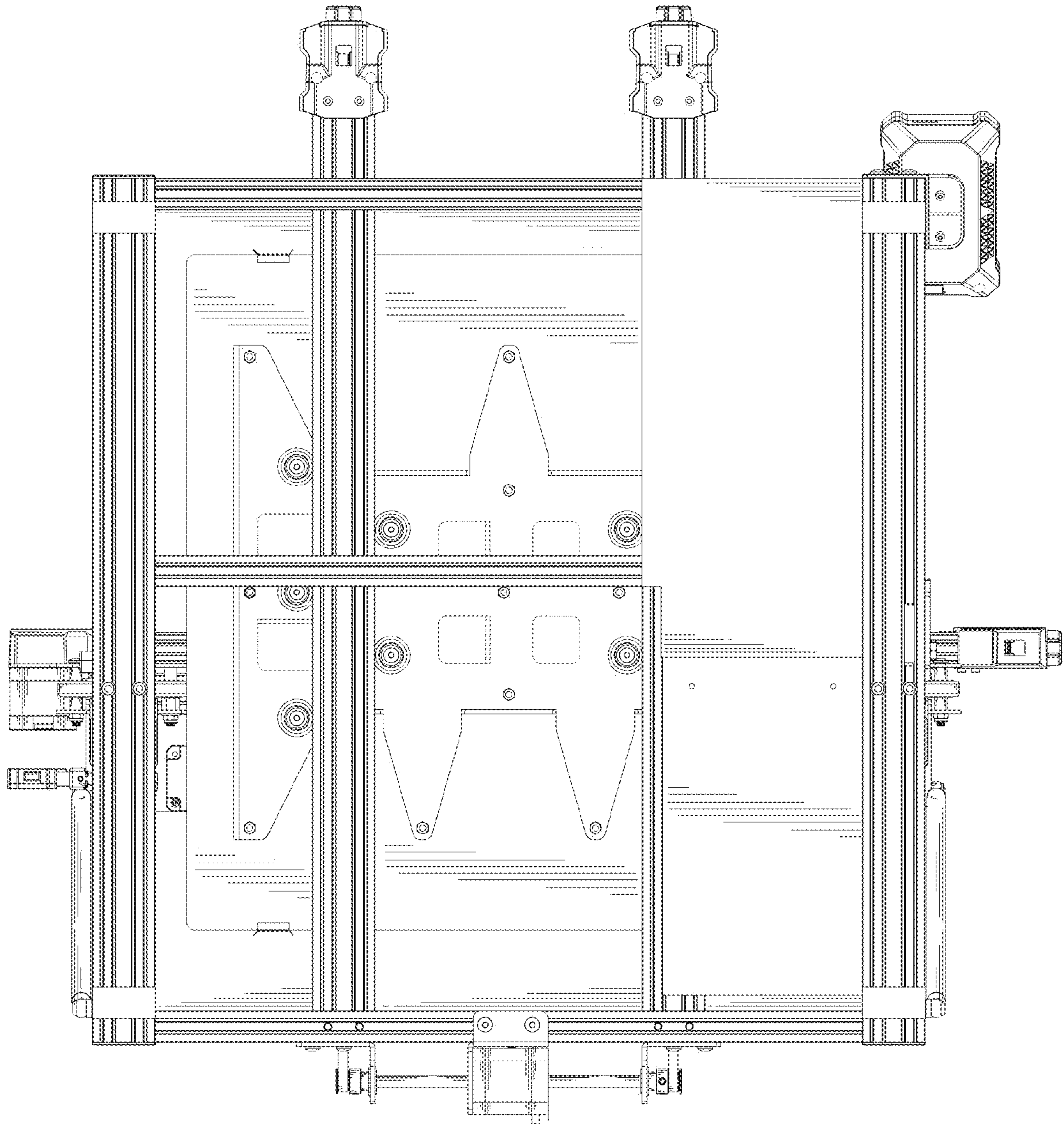


FIG. 7

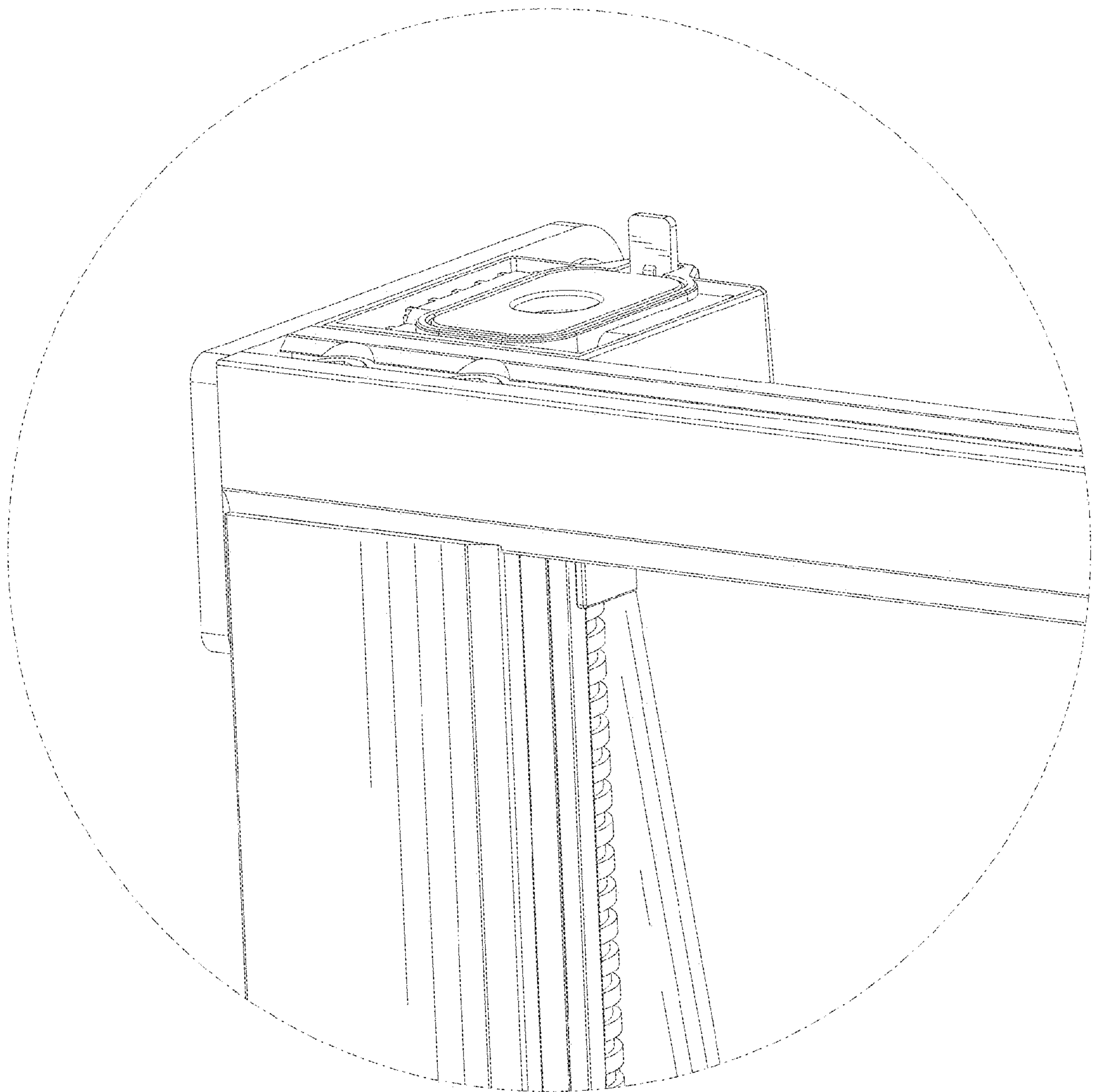


FIG. 8

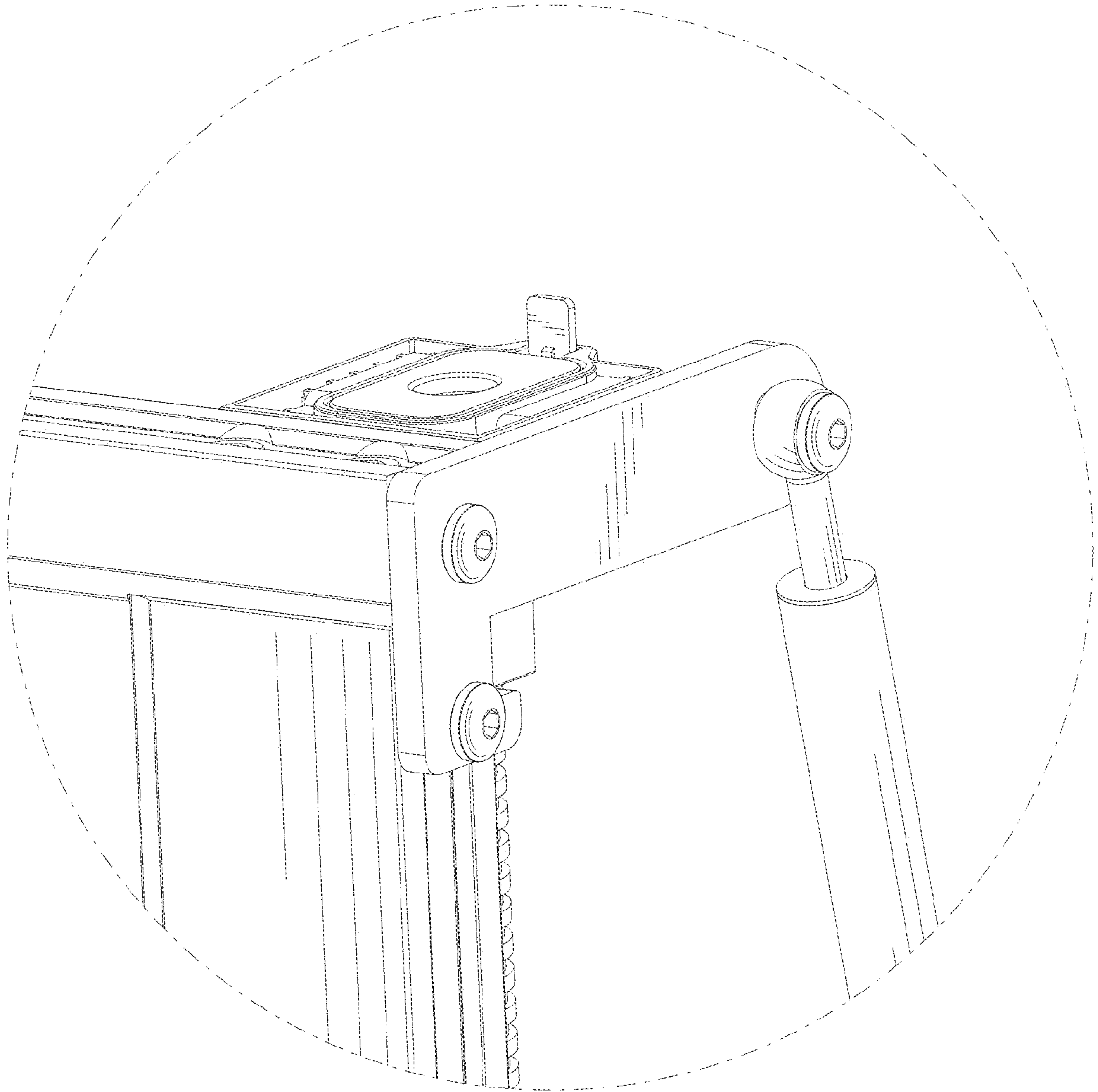


FIG. 9



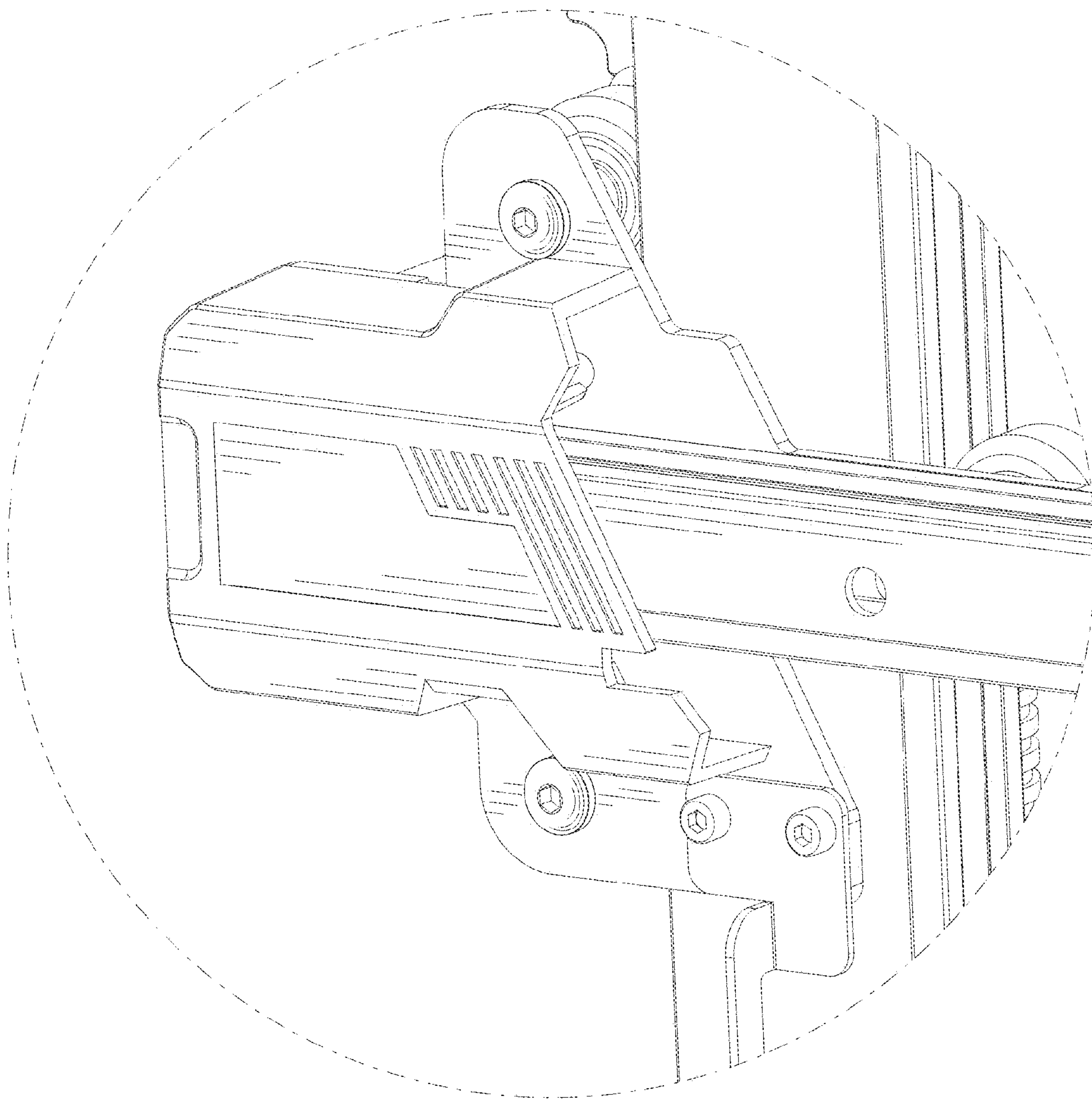


FIG. 10

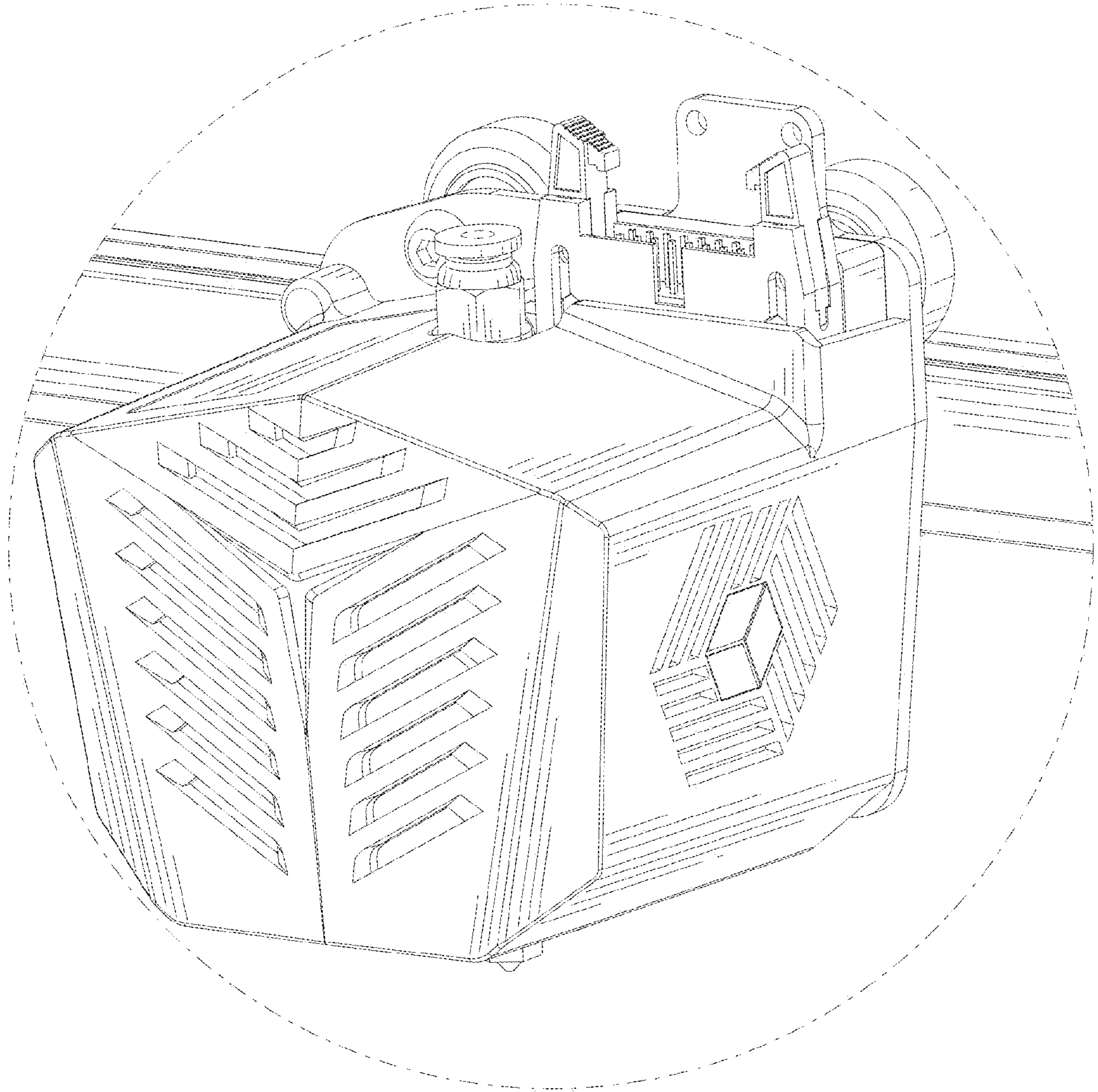


FIG. 11

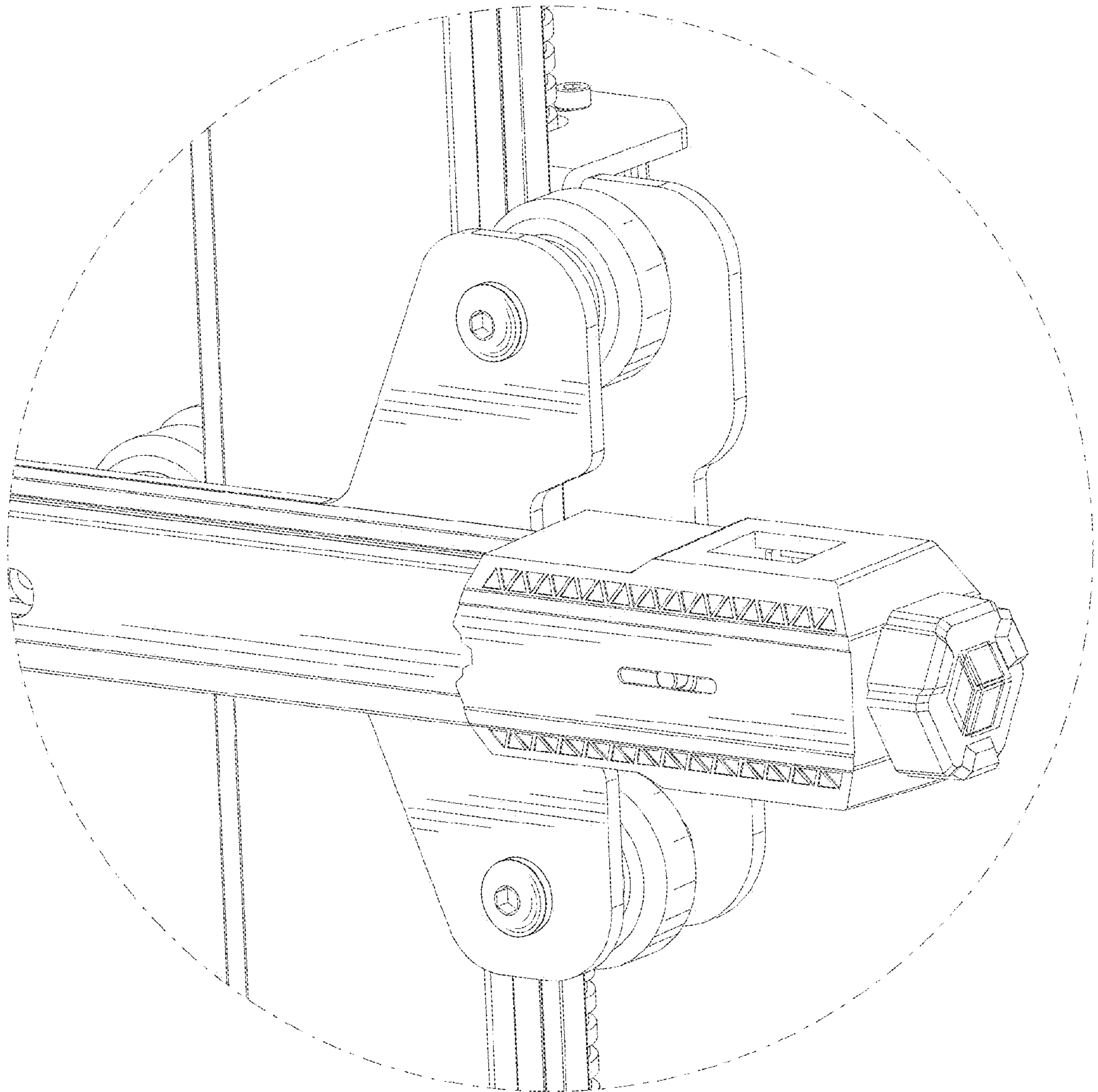


FIG. 12



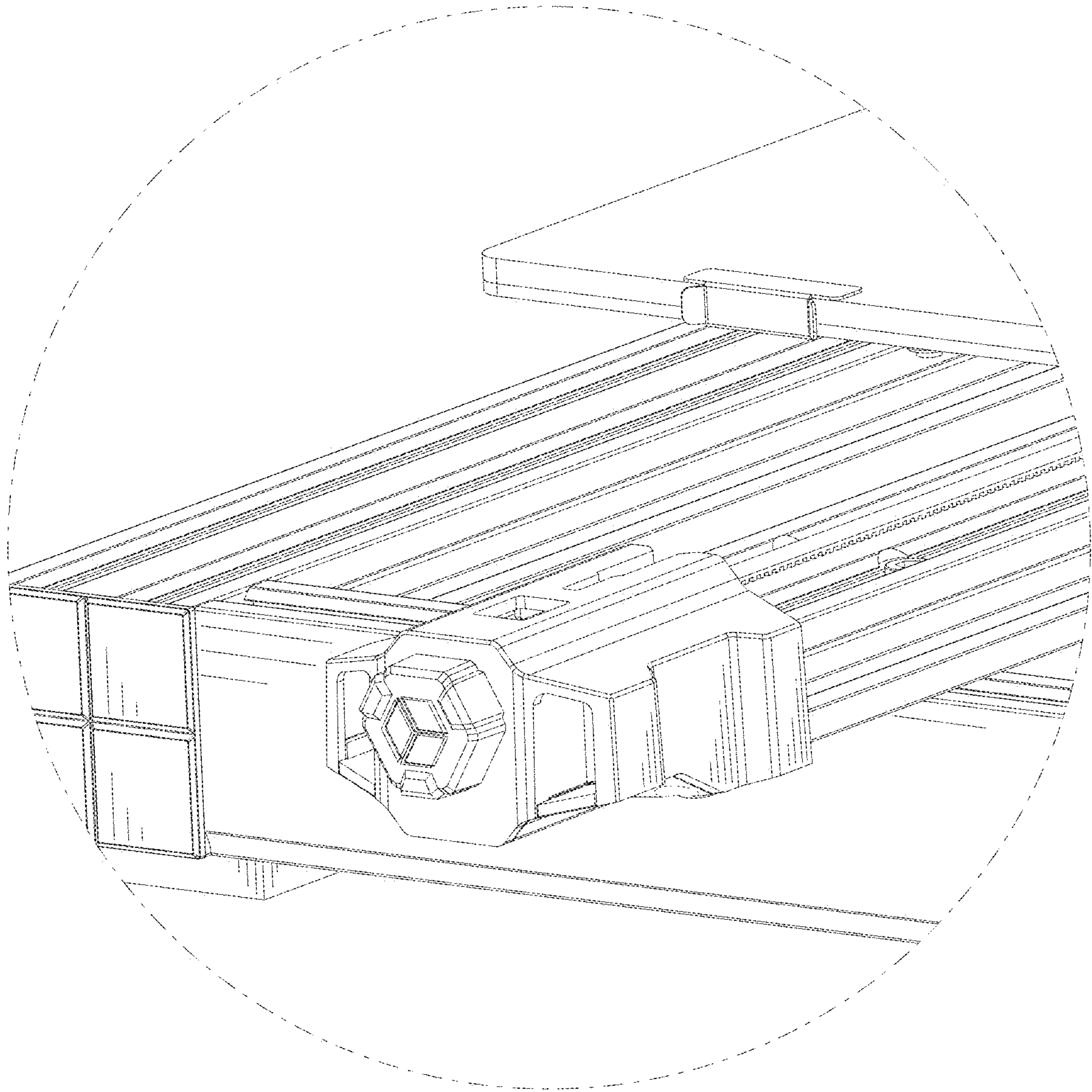


FIG. 13

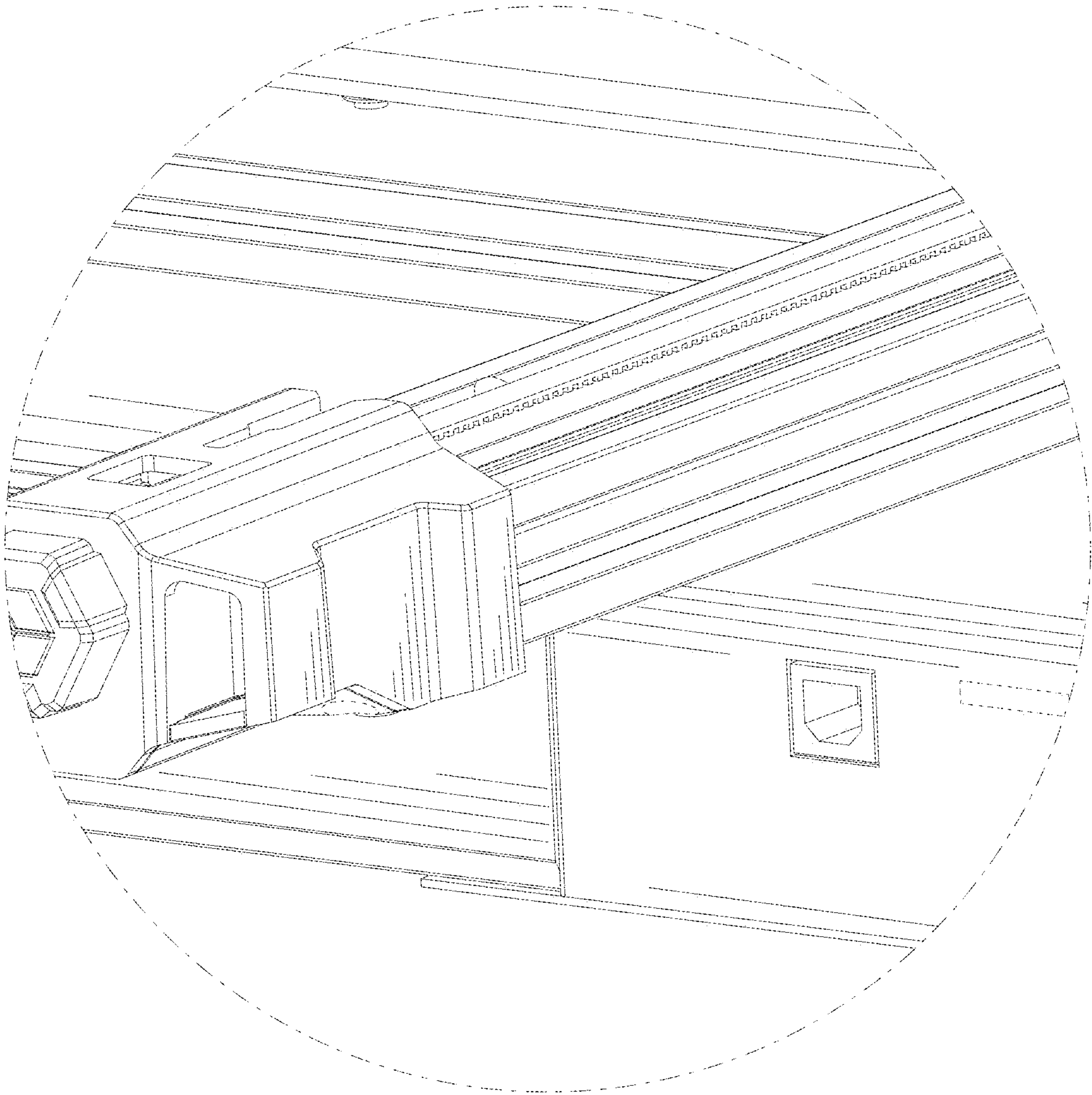


FIG. 14

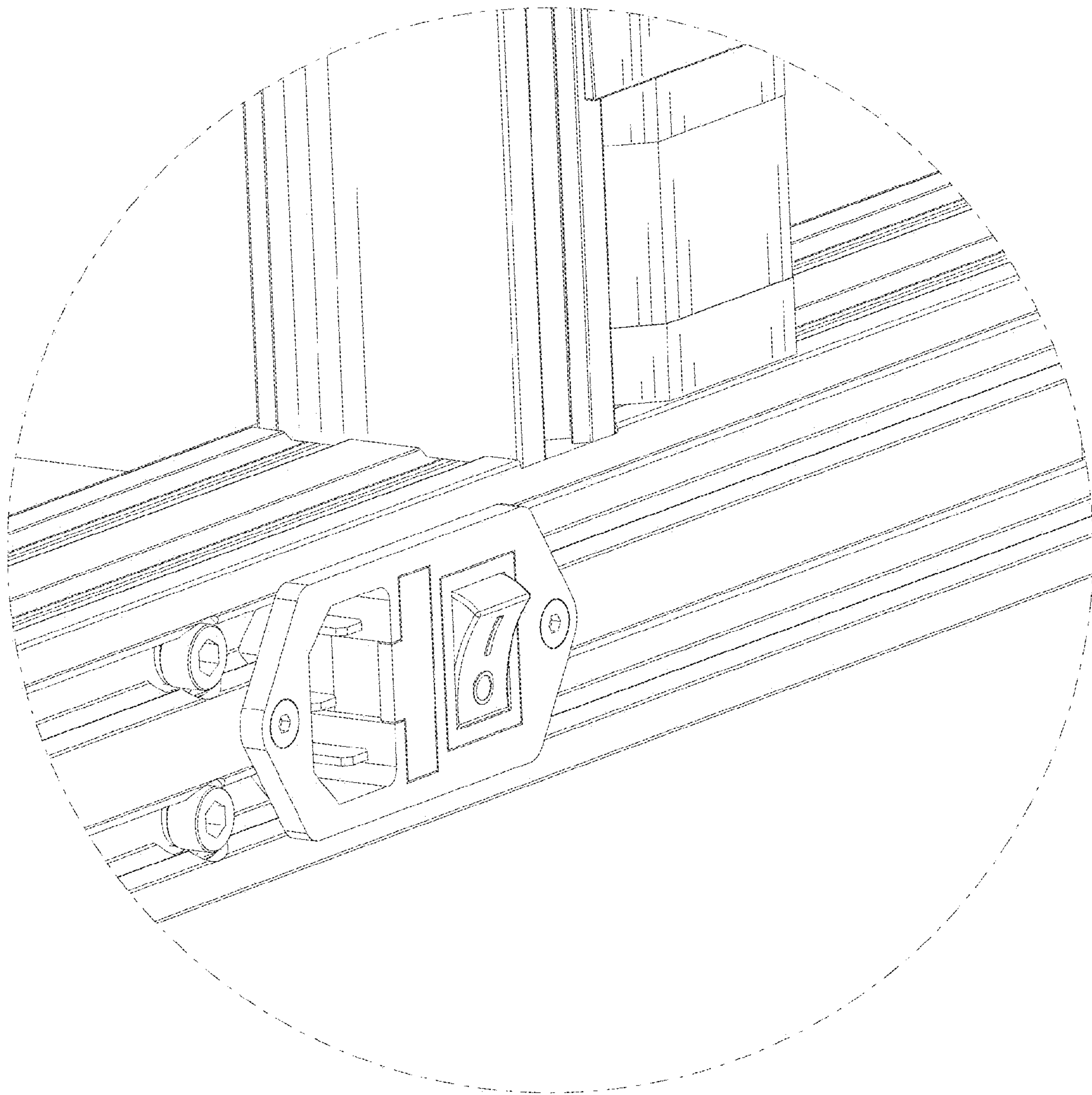


FIG. 15



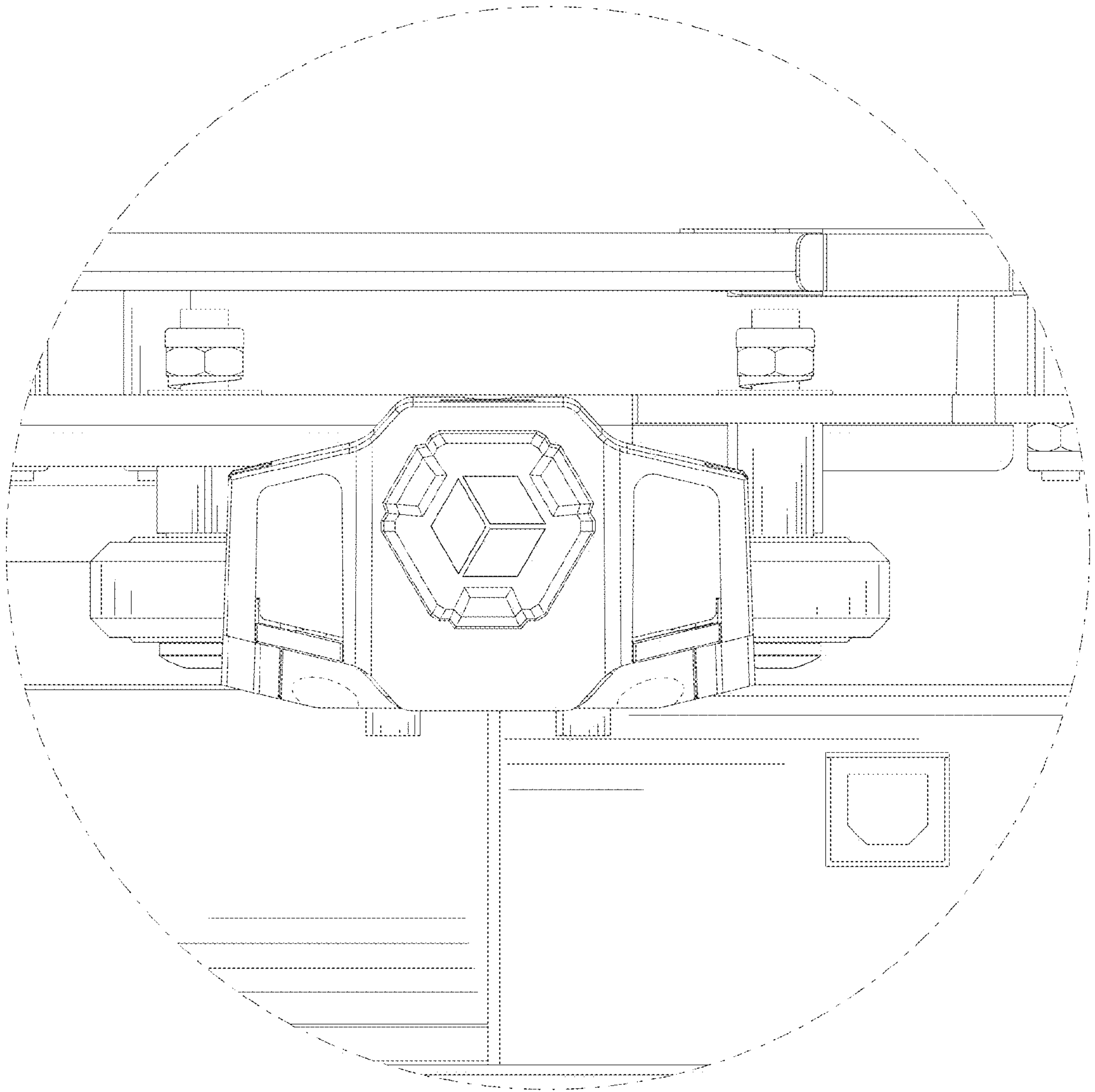


FIG. 16

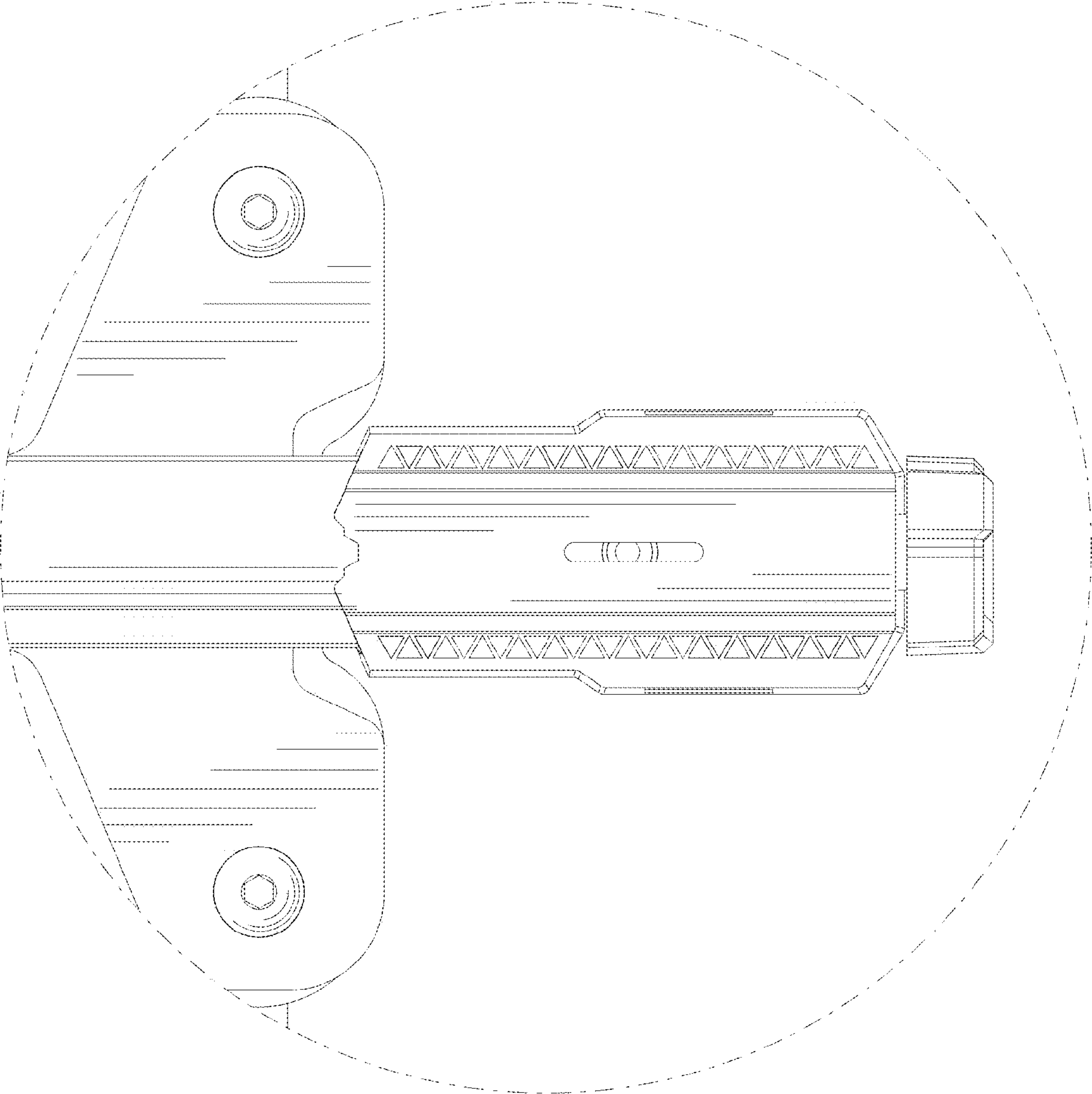


FIG. 17

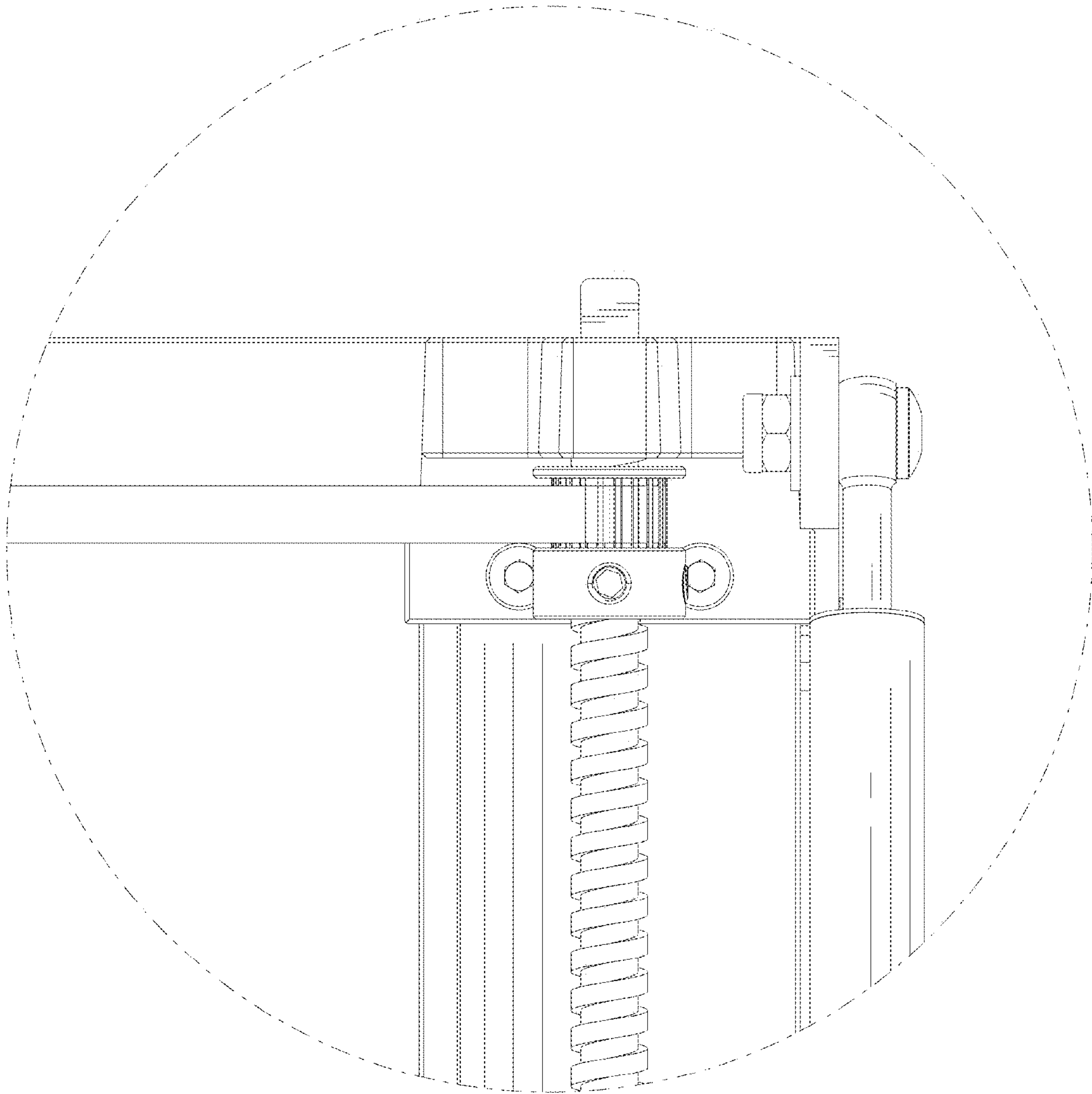


FIG. 18



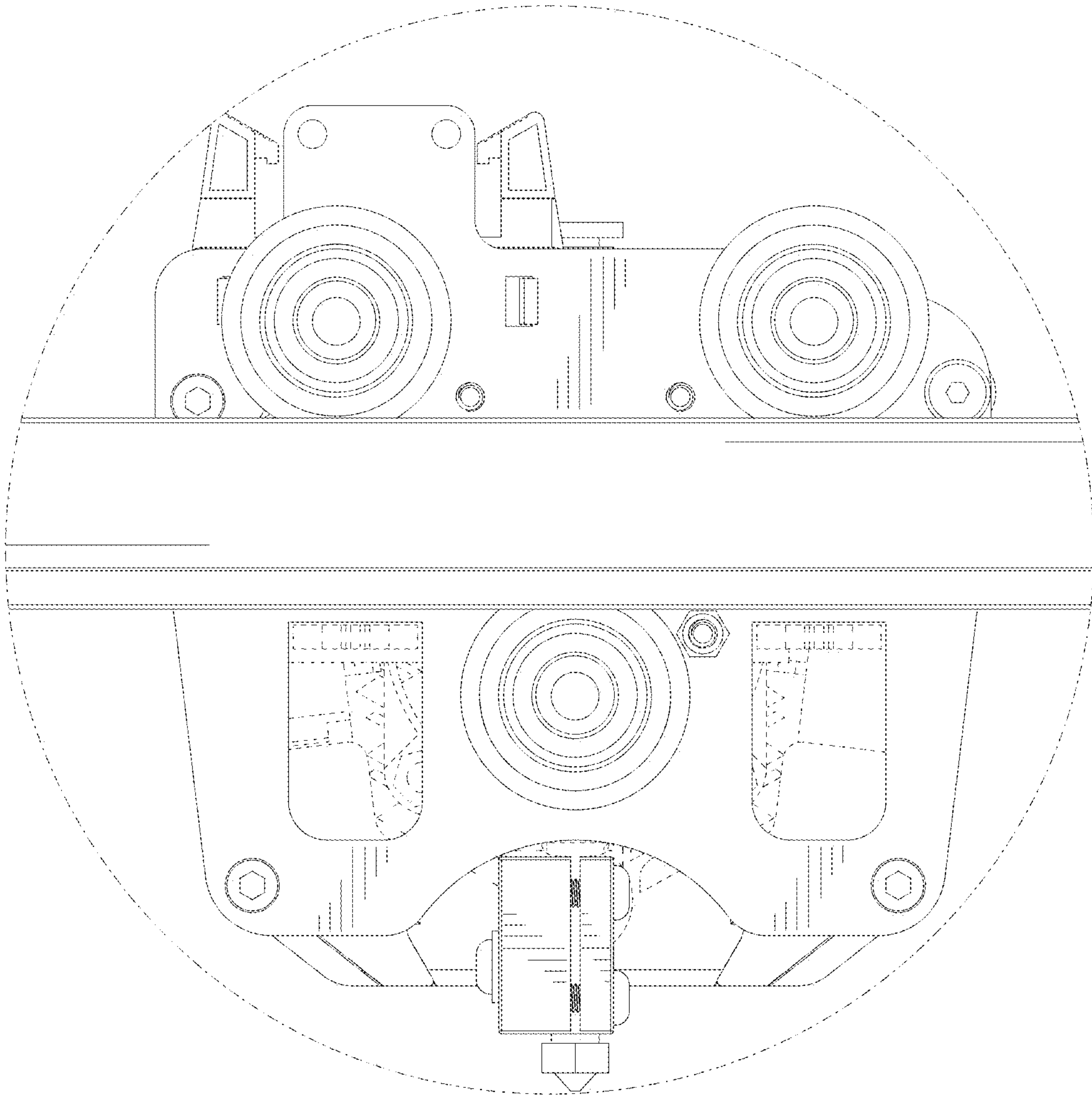


FIG. 19

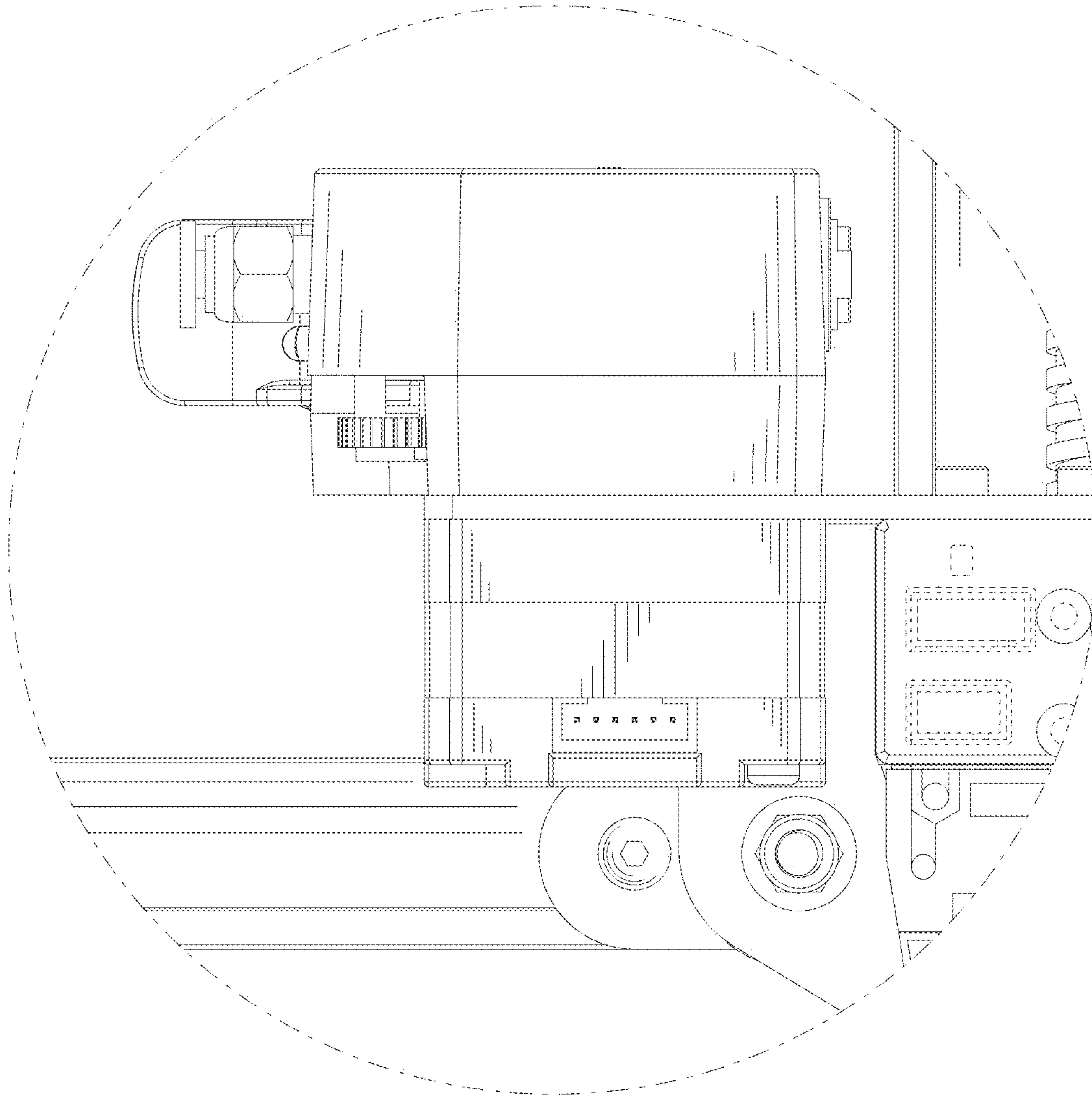


FIG. 20

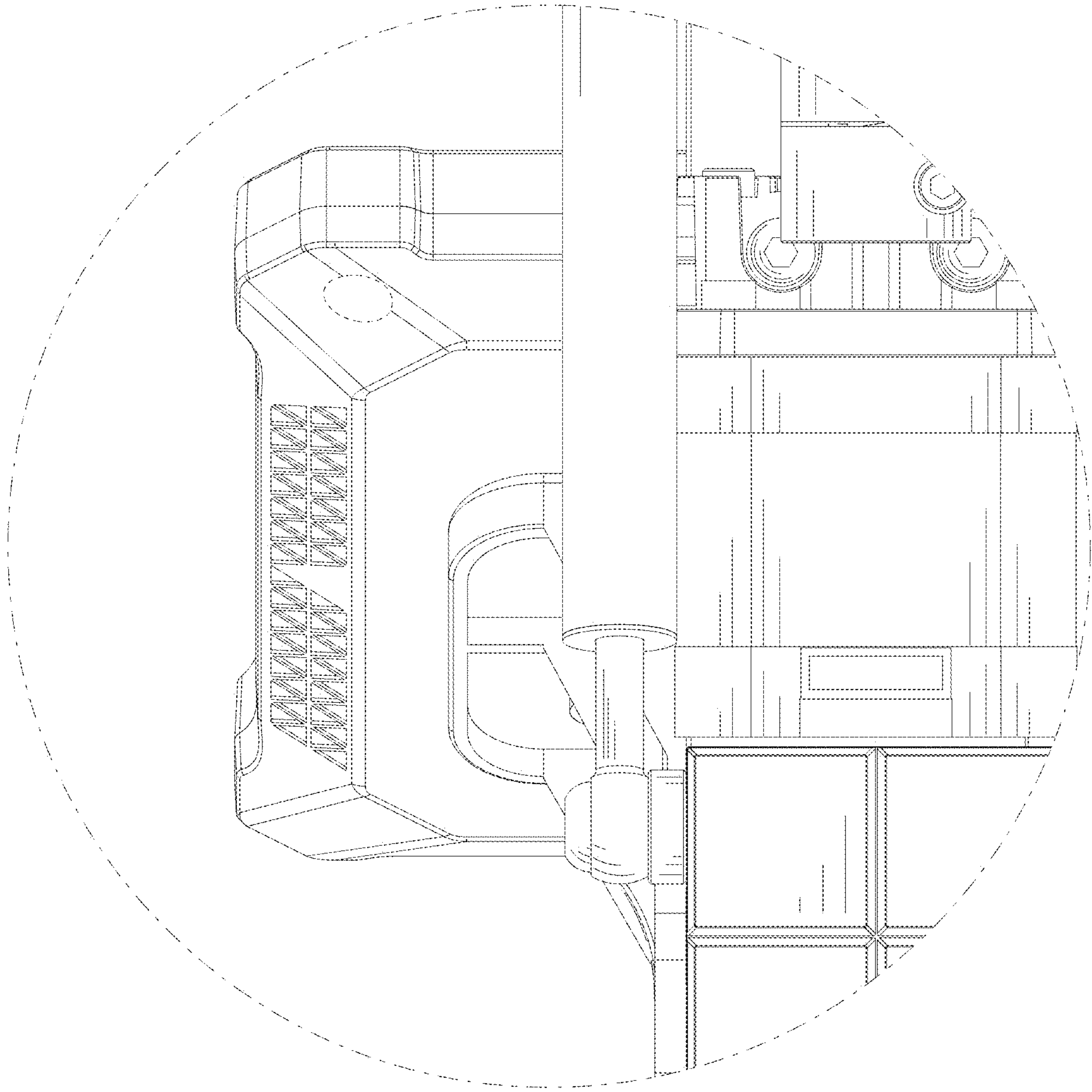


FIG. 21

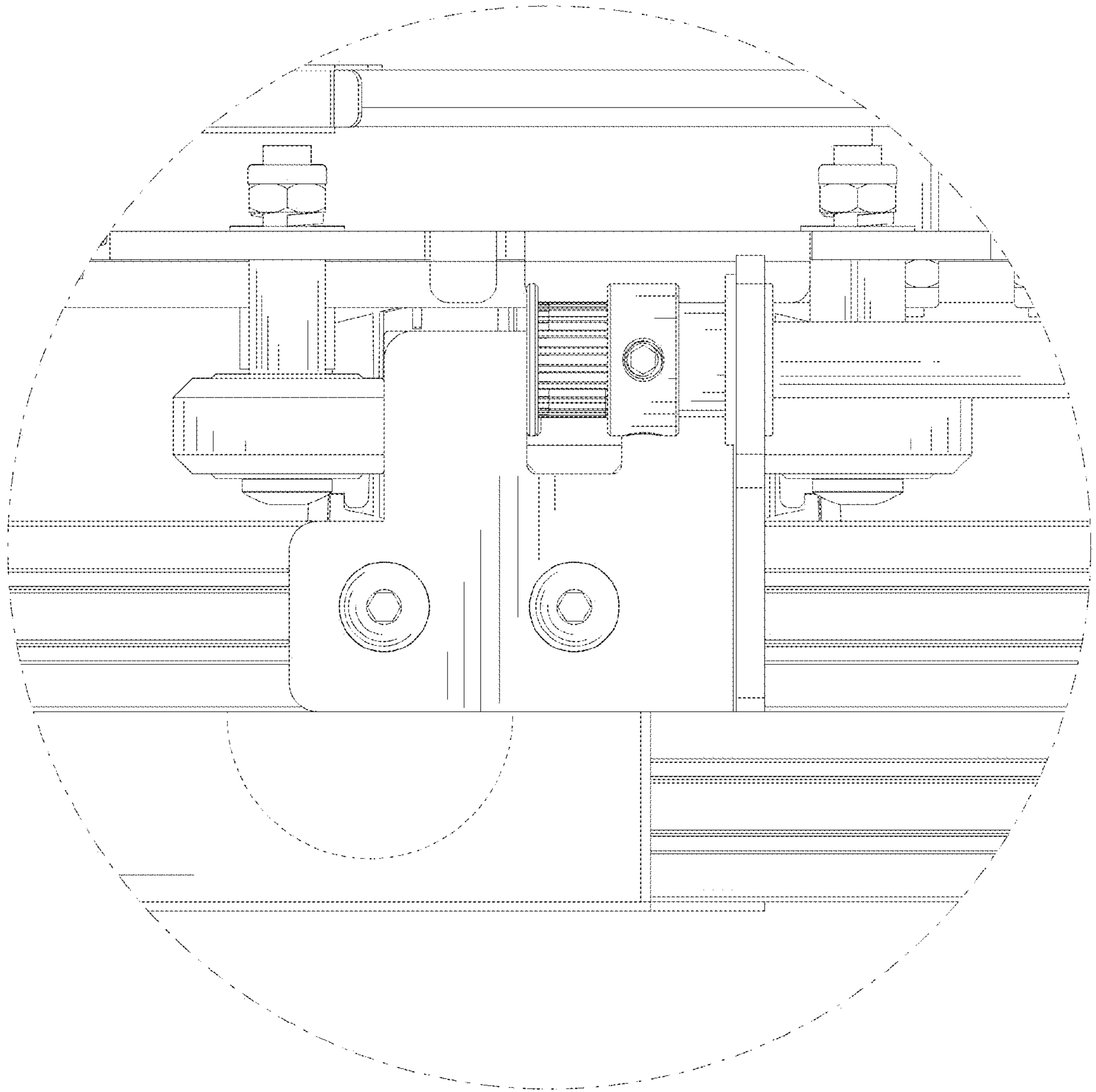


FIG. 22



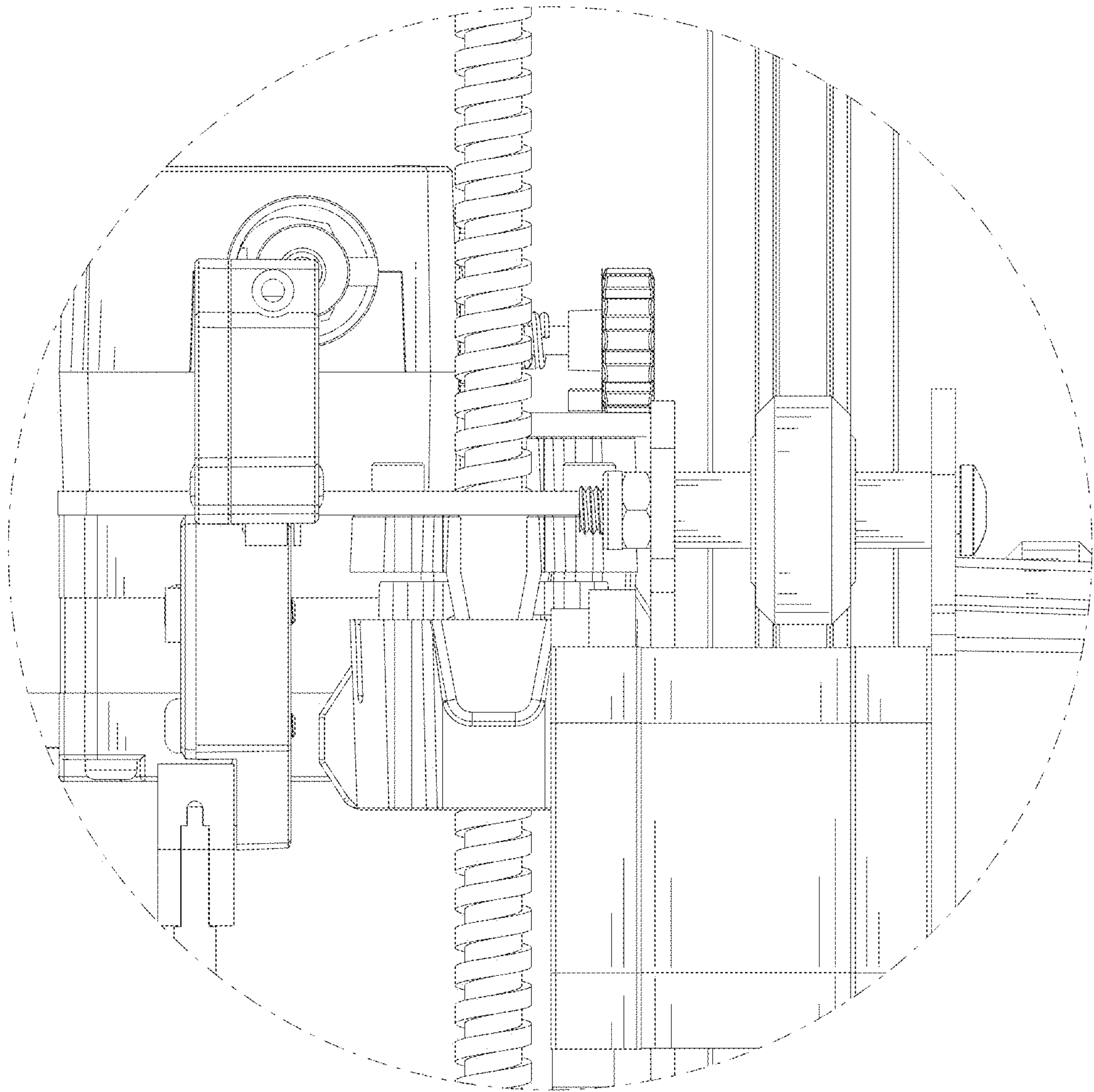


FIG. 23

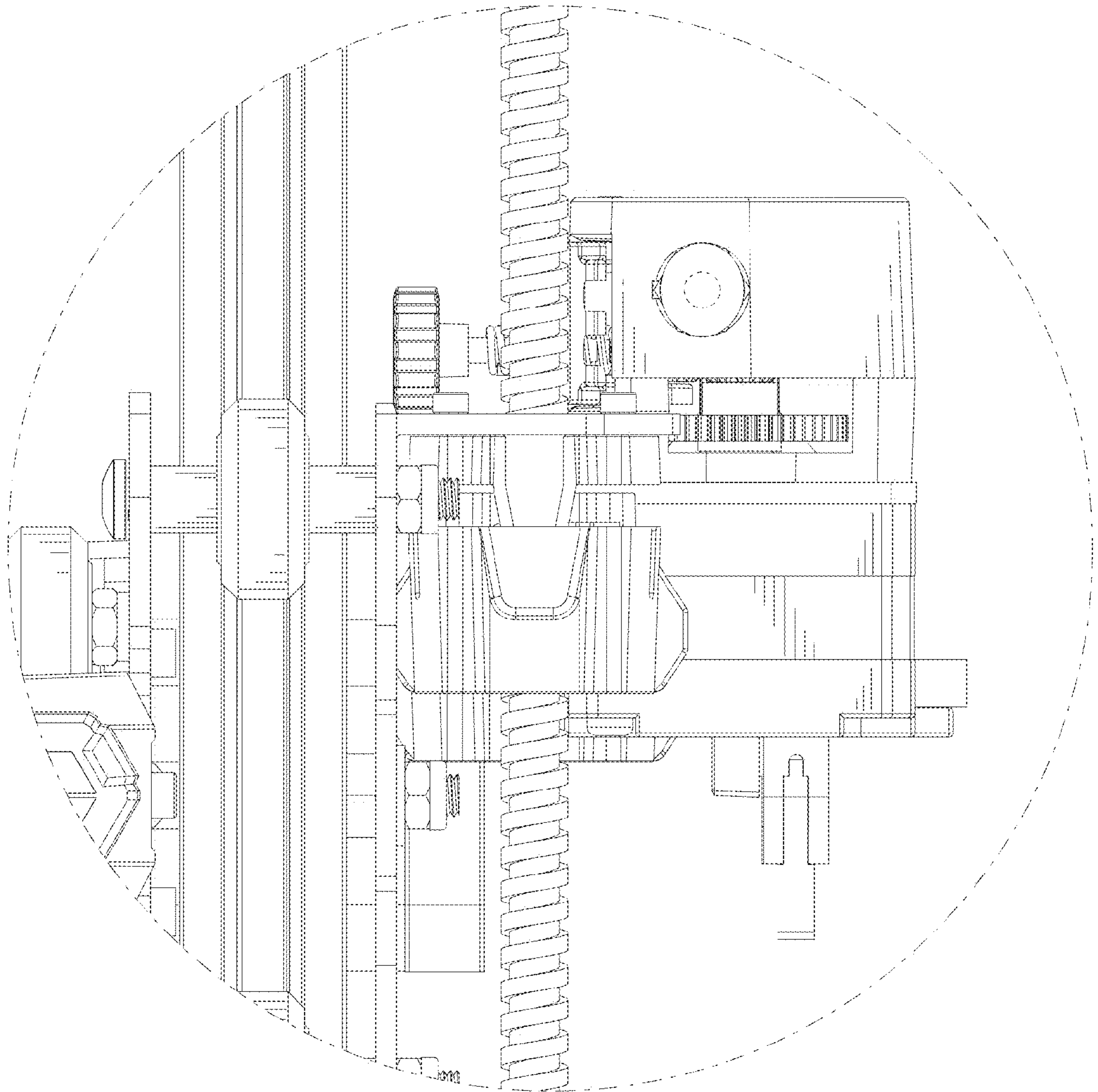


FIG. 24