

US0D1026035S

(12) **United States Design Patent** (10) **Patent No.:** **US D1,026,035 S**
Kappel (45) **Date of Patent:** **** May 7, 2024**

(54) **LIQUID COOLER**
(71) Applicant: **Sandor Kappel**, Milford, CT (US)
(72) Inventor: **Sandor Kappel**, Milford, CT (US)
(**) Term: **15 Years**
(21) Appl. No.: **29/807,216**
(22) Filed: **Sep. 9, 2021**
(51) **LOC (14) Cl.** **13-03**
(52) **U.S. Cl.**
USPC **D13/179**
(58) **Field of Classification Search**
USPC D13/112, 114, 133, 179, 199; D15/3, 5,
D15/9, 199
CPC .. F28F 2013/001; F28F 2013/003; F28F 9/00;
F28F 5/00; F23R 3/04; Y02T 10/10;
Y02T 10/12; Y02T 10/40
See application file for complete search history.

(56) **References Cited**
U.S. PATENT DOCUMENTS
4,105,905 A * 8/1978 Barcus H02K 5/18
310/59
D271,203 S * 11/1983 Schutt D15/9
5,630,461 A * 5/1997 CoChimin H02K 5/18
164/45
D411,545 S * 6/1999 McDonald D15/5
D516,085 S * 2/2006 O'Donnell D15/5

D576,941 S * 9/2008 Evon D13/112
D624,015 S * 9/2010 Walker D15/3
D626,519 S * 11/2010 Yao D13/179
D636,862 S * 4/2011 McElveen D23/370
D673,667 S * 1/2013 McElveen D23/370
D803,985 S * 11/2017 Yung D23/233
D883,928 S * 5/2020 Lust D13/112
D906,256 S * 12/2020 Oishi D13/152
D930,586 S * 9/2021 Chang D13/112

* cited by examiner

Primary Examiner — Calvin E Vansant
Assistant Examiner — Eidiol Ghigliotty Torres

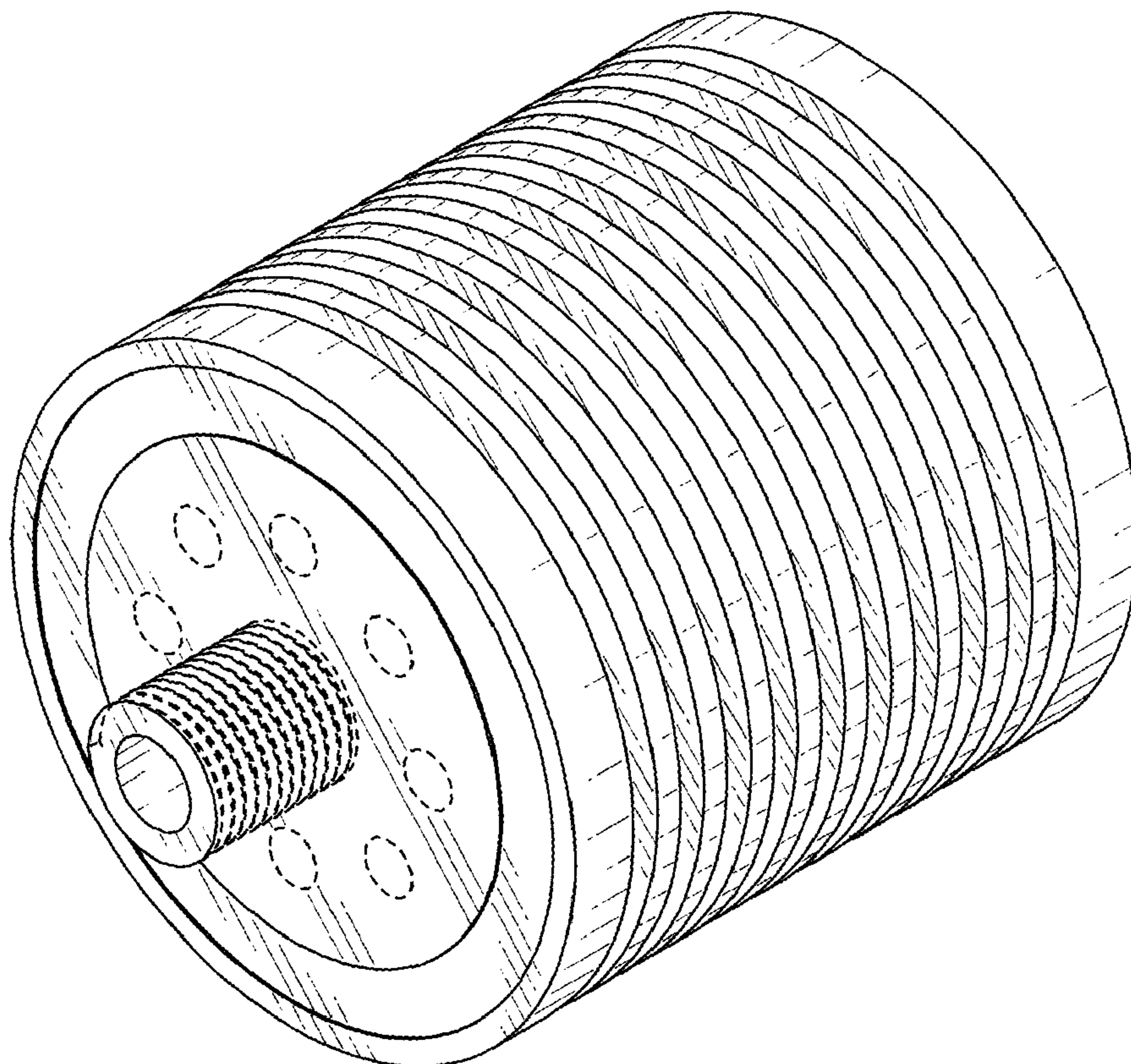
(57) **CLAIM**

The ornamental design for a liquid cooler, as shown and described.

DESCRIPTION

FIG. 1 is a top front perspective view of a liquid cooler showing my new design;
FIG. 2 is a bottom rear perspective view thereof;
FIG. 3 is a left elevational view thereof;
FIG. 4 is a right elevational view thereof;
FIG. 5 is a top plan view thereof;
FIG. 6 is a bottom plan view thereof;
FIG. 7 is a front elevational view thereof; and,
FIG. 8 is a back elevational view thereof.
The broken line showing threads and holes is included for the purpose of illustrating environmental structure and forms no part of the claimed design.

1 Claim, 8 Drawing Sheets



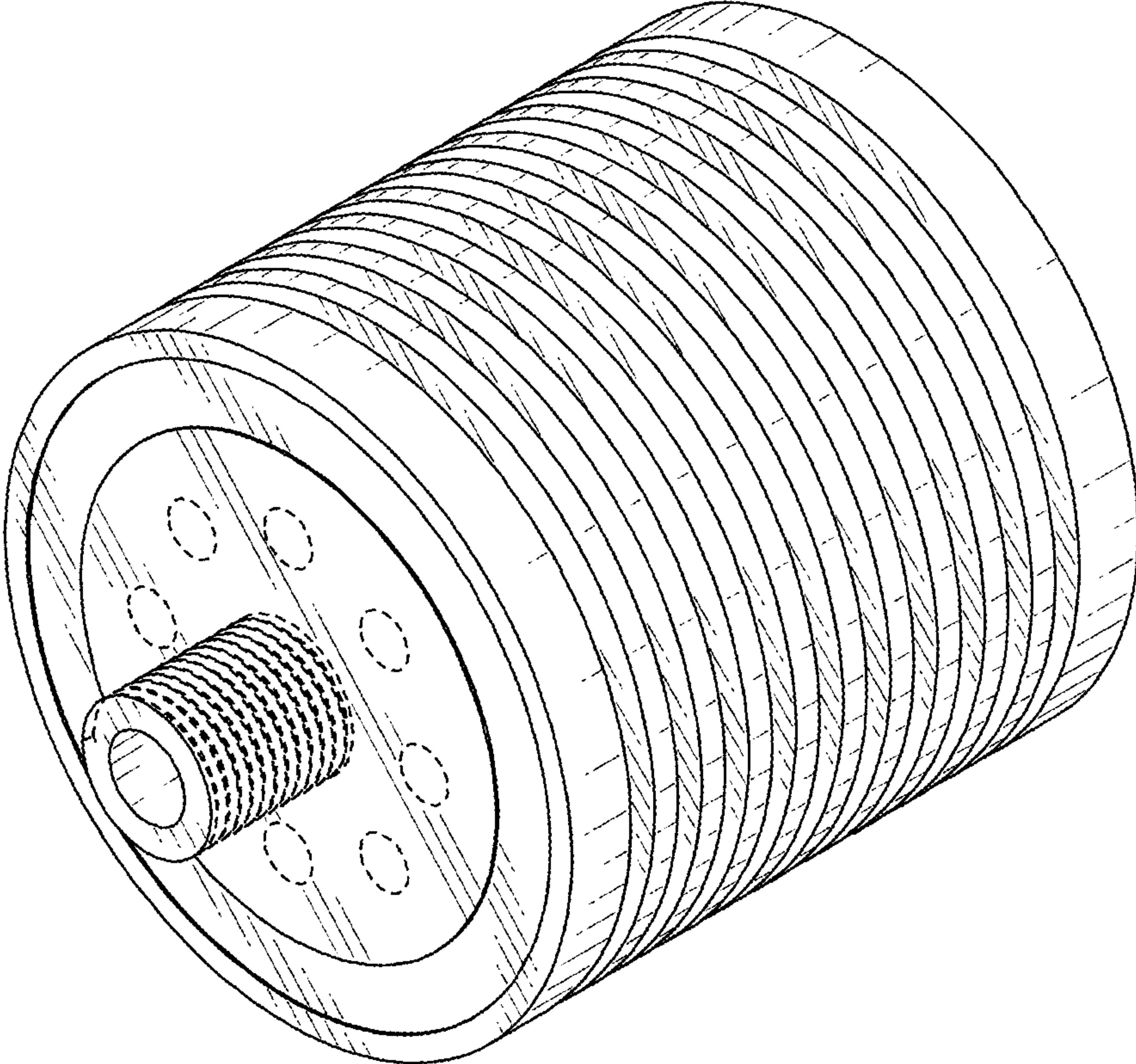


FIG. 1

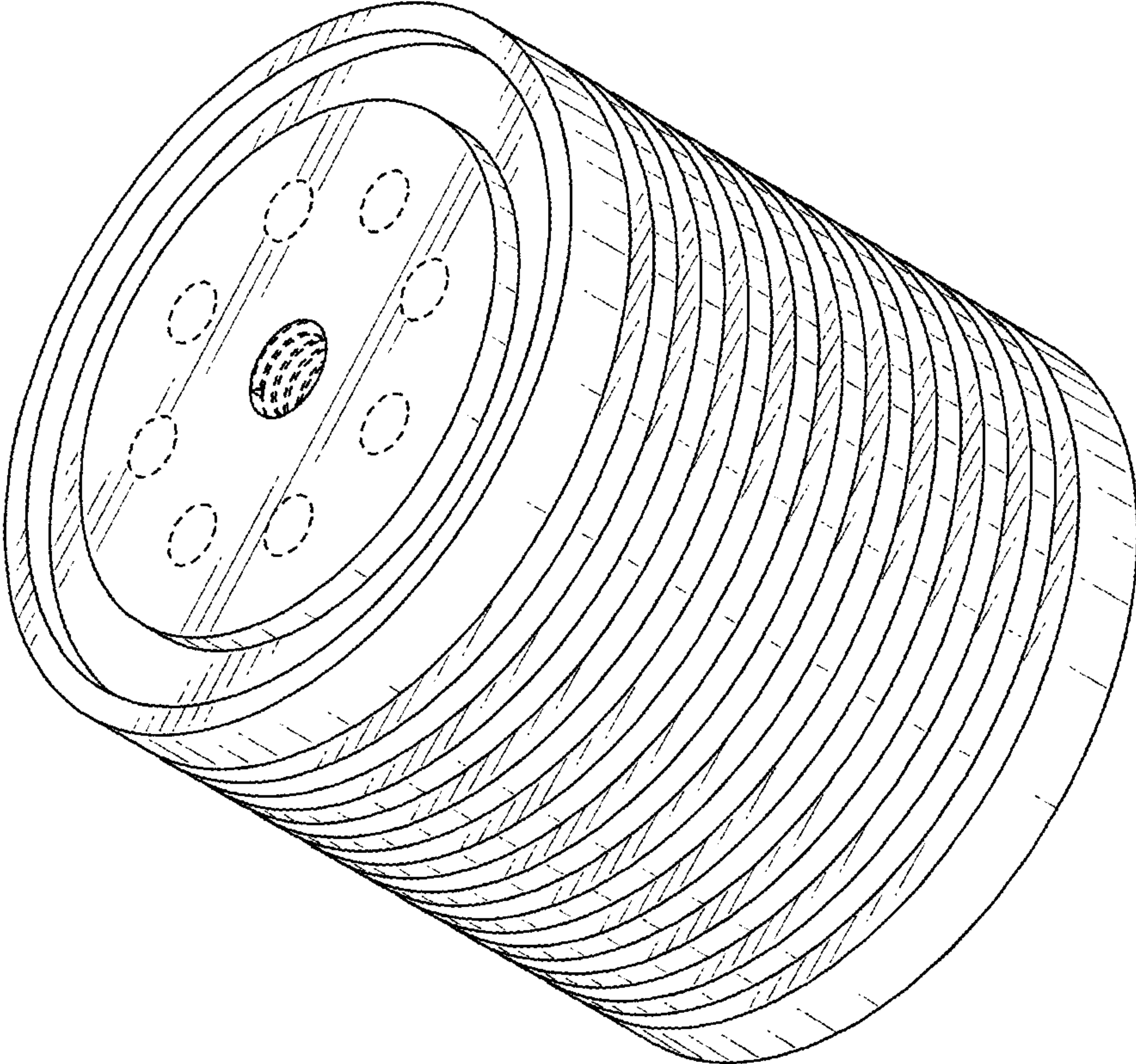


FIG. 2

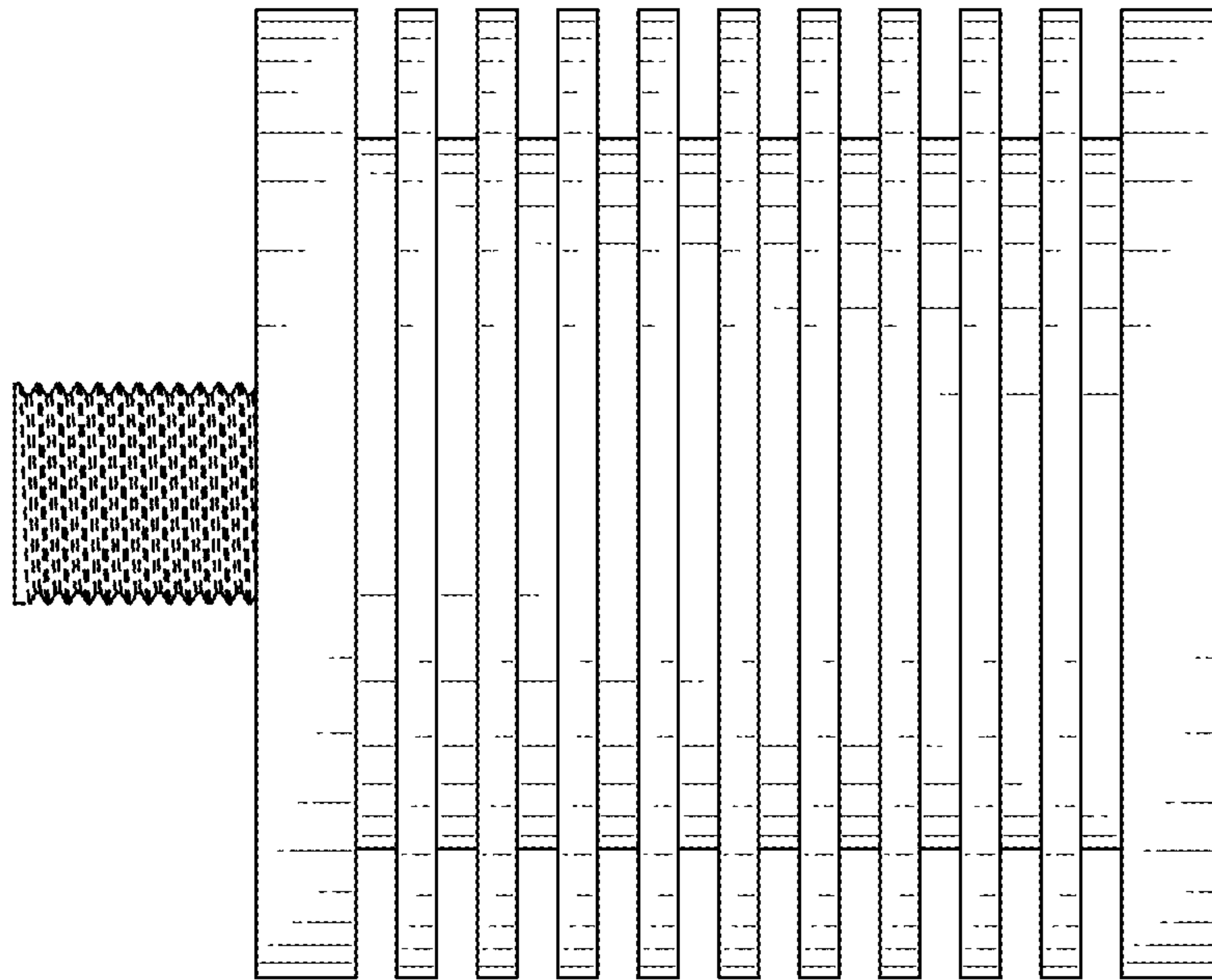


FIG. 3

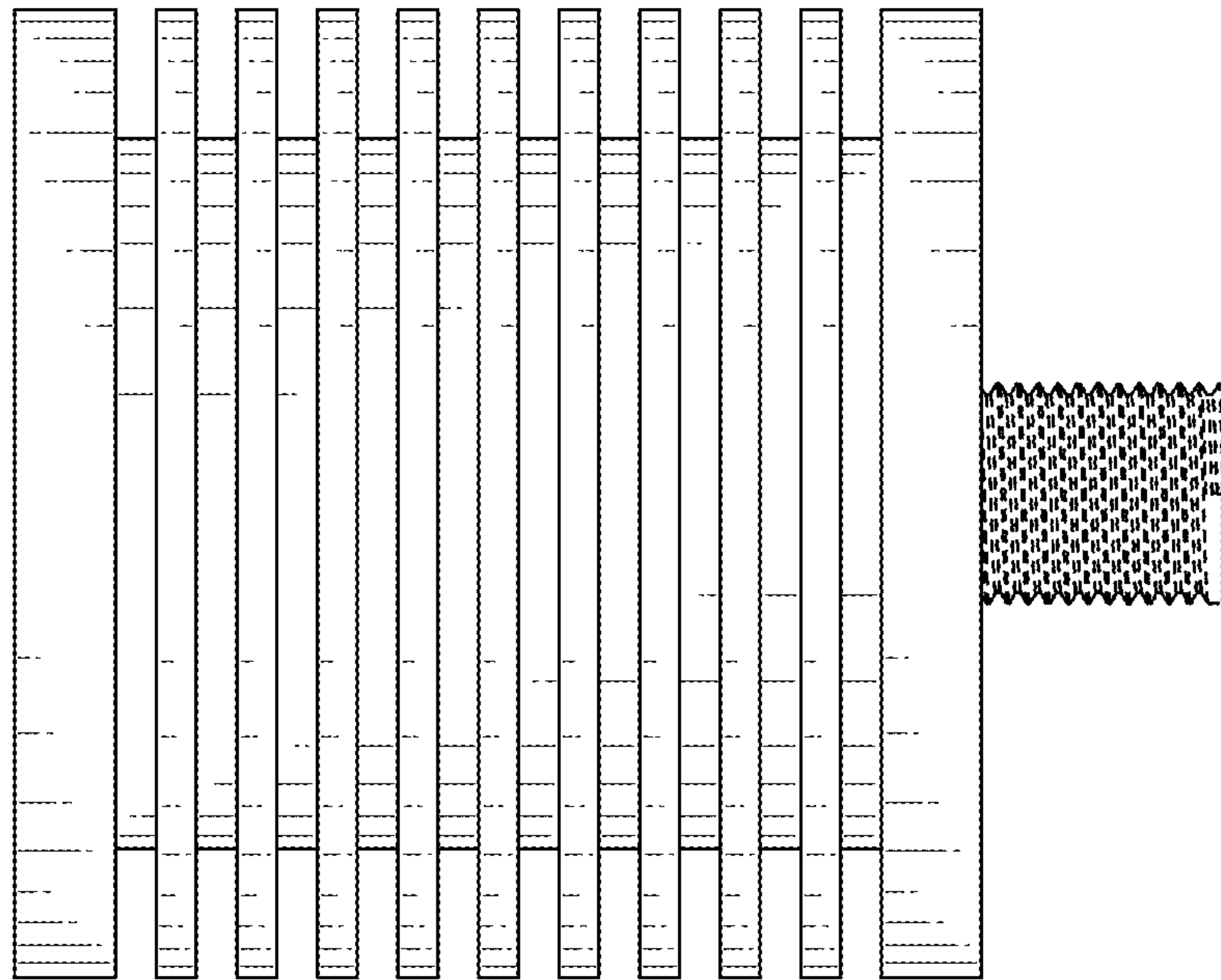


FIG. 4

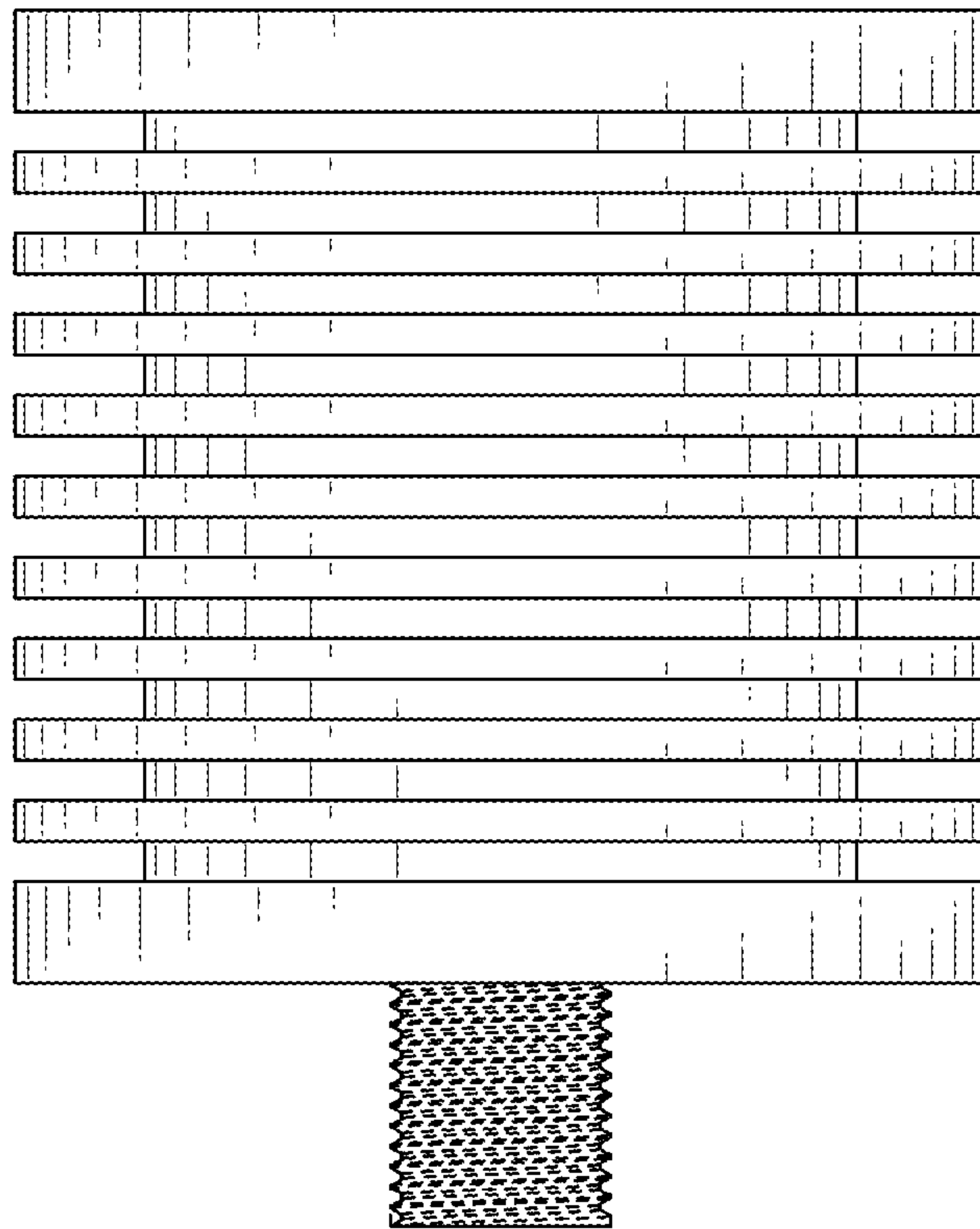


FIG. 5

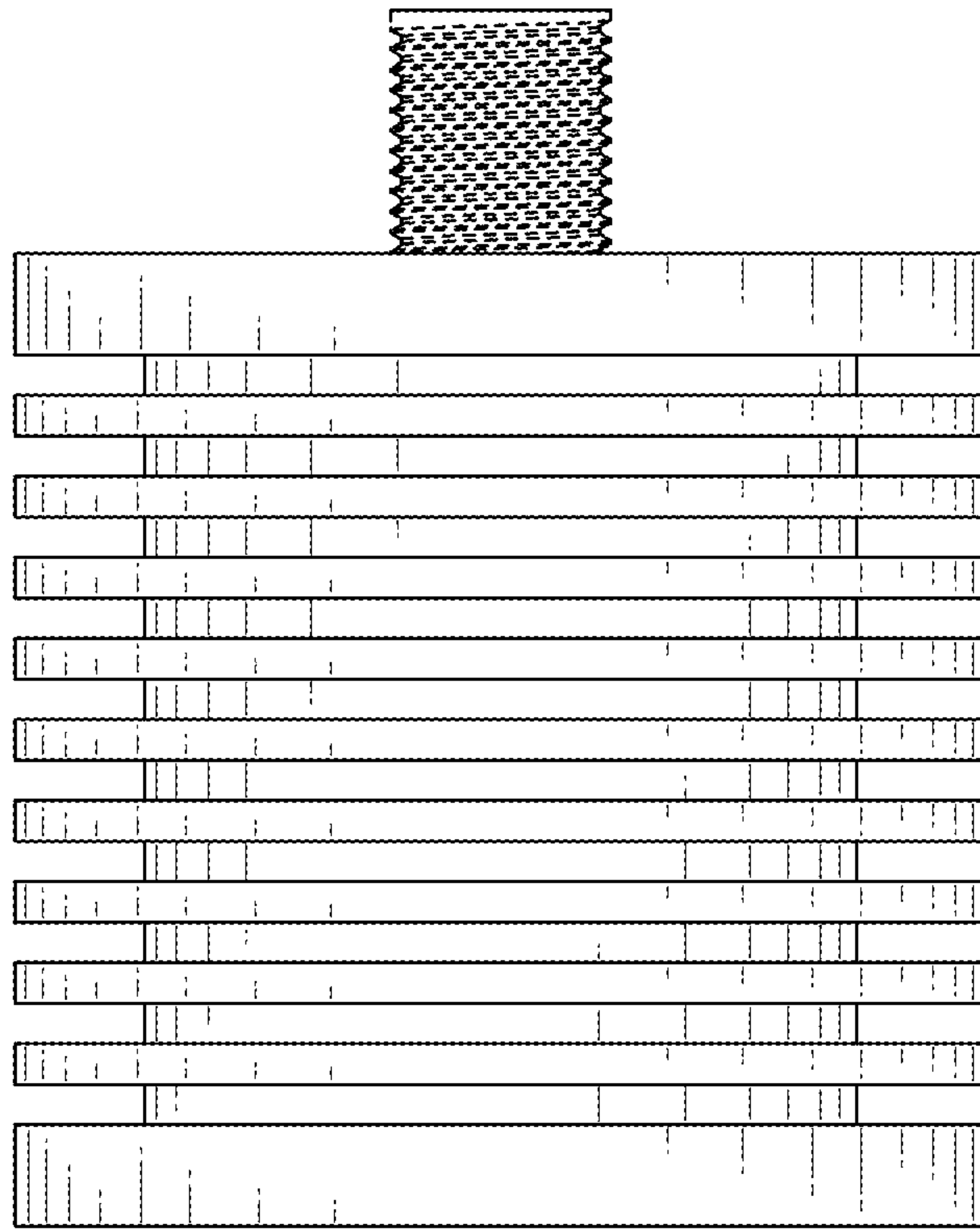


FIG. 6

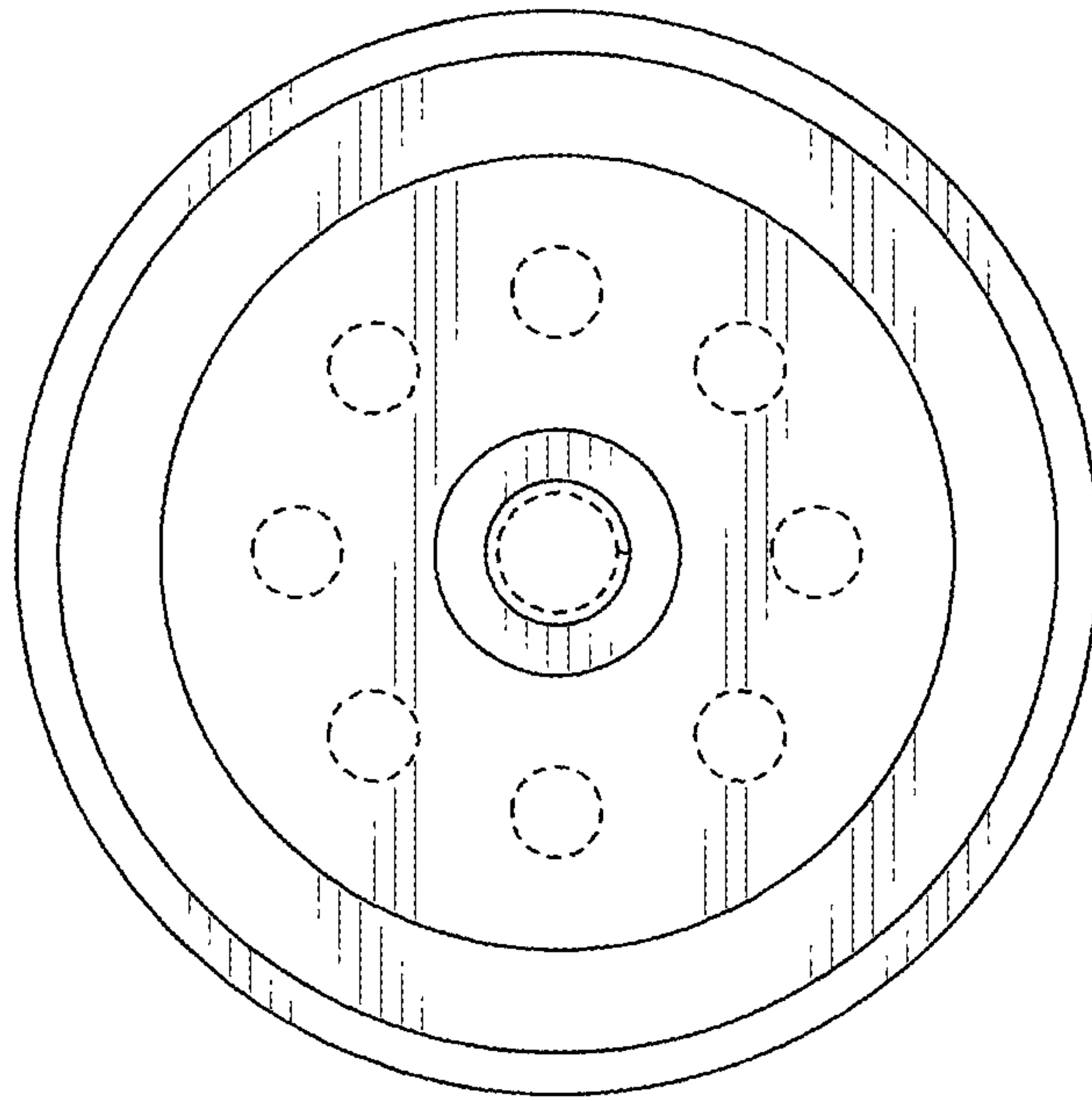


FIG. 7

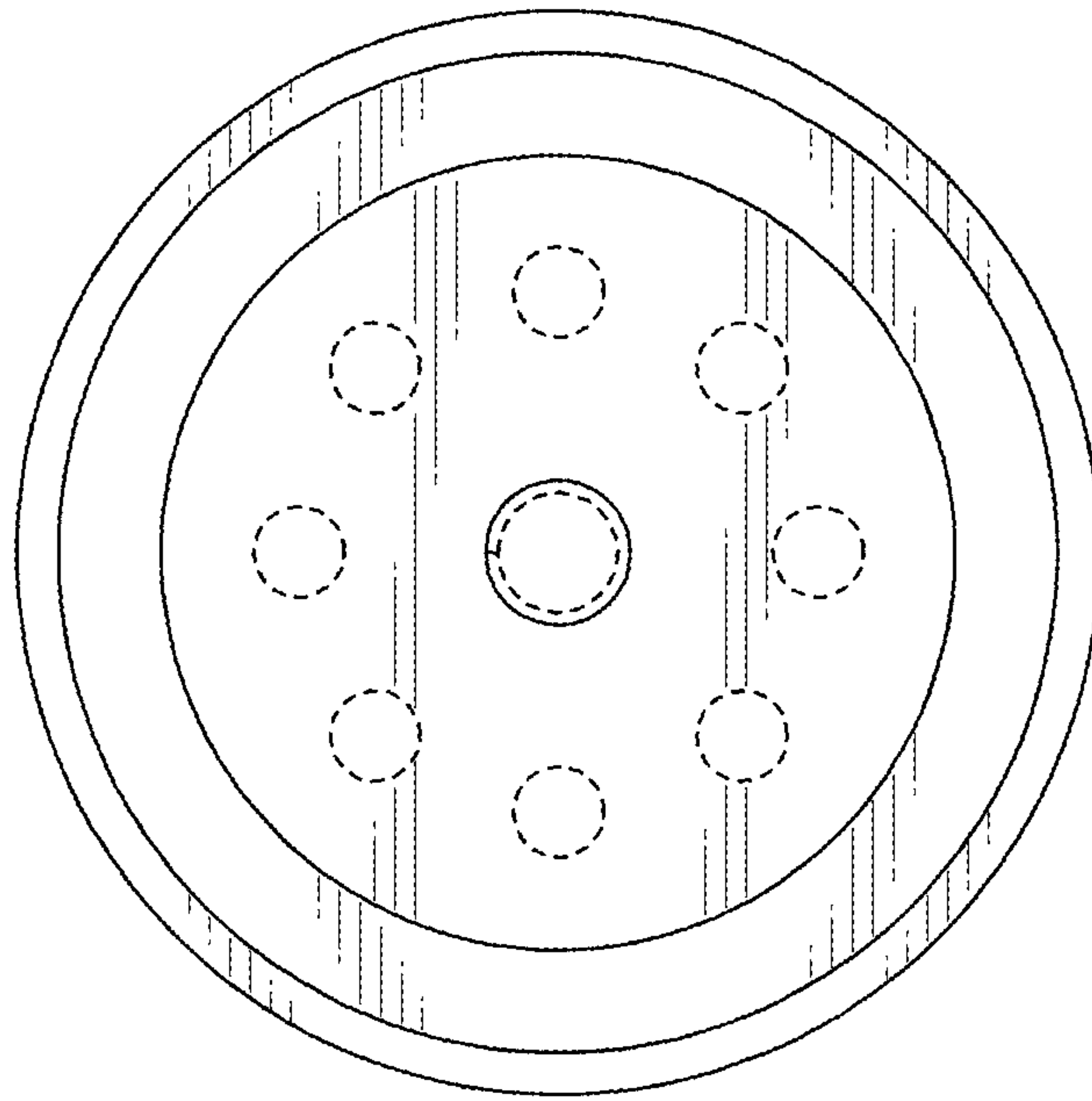


FIG. 8